

N^o 6523



A.D. 1908

Date of Application, 24th Mar., 1908—Accepted, 21st Jan., 1909

COMPLETE SPECIFICATION.

“Improvements in Type and other Metal Casting Machines.”

I, EDWARD CHARLES ROBERT MARKS, of 18 Southampton Buildings, Chancery Lane, in the County of London, Consulting Engineer, (a communication to me from abroad by The Thompson Type Machine Company, a corporation organised under the laws of the State of Illinois having its principal place of business at No. 130 Sherman Street, Chicago, in the County of Cook and State of Illinois, United States of America,) do hereby declare the nature of this invention and in what manner the same is to be performed to be particularly described and ascertained in and by the following statement:—

This invention relates to machines for casting small metallic objects, particularly type, and comprising a mold, a matrix and a metal pot.

The object of the invention is to provide a machine efficient in operation and capable of fine adjustment of the parts which determine the size and shape of the type or the like.

An important feature of the invention lies in rendering certain parts of the mold movable and determining the size of the mold by the engagement of said movable parts with the opposite sides of the matrix.

Further features of the invention comprise the means for controlling the flow of the metal into the mould from the metal pot; means for independently adjusting cavities formed by type molding and jet molding parts respectively; means for maintaining the jet and type parts at a substantially uniform temperature; and a pusher plate, for certain movable members of the mold, having an adjustable actuating device. A further feature comprises the combination, with the above first-named feature, of the following feature which, in itself, is not broadly new *viz*:—an auxiliary member co-operating with the matrix and adjustable with relation to an intermediate body member located between top and bottom mold members. Still further features comprise a vertically movable plate adapted to form one wall of the mold cavity and to also form an adjustable support for the type during its ejection; and a cam for engaging each type and pressing it upwardly to effect its removal from the ejector.

In the accompanying drawings wherein like or similar reference characters indicate like or corresponding parts:

Figure 1, is a plan view of one convenient form of my device.

Figure 2, is a front elevation of the same, with portions of the base broken away.

Figure 3, is a section taken substantially on line 3—3 of Figure 1.

Figure 4, is a detail of the mold supporting mechanism, with various operating levers and the matrix carrier removed to disclose the apparatus.

Figure 5, is a section taken substantially on line 5—5 of Figure 4.

Figure 6, is a perspective detail of several of the setwise adjusting blocks or pieces.

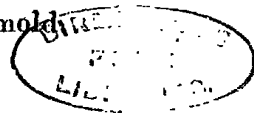
Figure 7, is a section taken substantially on line 7—7 of Figure 4.

Figure 8, is a section taken substantially on line 8—8 of Figure 7.

Figure 9, is an enlarged perspective detail of the matrix holder and a portion of the co-operating parts.

Figure 10, is an enlarged perspective detail of parts of the mold.

[Price 8d.]



Marks's Improvements in Type and other Metal Casting Machines.

Figure 11, is a partial section taken substantially on line 11—11 of Figure 1.
Figure 12, is a section taken substantially on line 12—12 of Figure 2.

In the form of my device shown in the drawings, a base or pedestal 1 is provided, at the top of which my mechanism is mounted. The pedestal 1 may be of any desired form or construction, preferably comprising a rectangular enclosure provided with a substantially flat top and if desired with any suitable arrangement of doors 2—2 for affording convenient access to its interior. 5

The mechanism of my device consists of a mold, a matrix holder or carrier, and a metal pot and co-operating mechanism for operating each, all preferably controlled by a common power element, so arranged that the several parts will co-operate to successively cast type in the mold and finish each type before it leaves the machine. 10

As shown, a stand 3 is mounted upon the top of the base 1 and secured thereto in any desired manner. A longitudinal channel is formed along the top of the stand 3, and a cover plate 4 is provided, rigidly attached to the marginal walls 5 and 6 of the stand in any suitable manner. 15

The type mold is positioned within the channel which channel, in the form shown, comprises a bottom plate 7¹, and side plates 8—9 rigidly attached thereto, the mold having a bottom part and a top part. Intermediate the top and bottom parts a body piece 11 is positioned corresponding in thickness with the size of type to be cast. A plurality of such body pieces are preferably provided, each corresponding in thickness with a particular size of type, thus accommodating the various sizes of type the machine is adapted to produce. 20

The top and bottom parts of the mold consist respectively of a bottom mold block, or plate 7, and bottom jet block 12, and an upper mold block or plate 10 and upper jet block 13. A jet piece 14 is provided adapted to co-operate with the body piece 11 and positioned in the cavity formed between the top and bottom jet blocks. The cross-section of the jet piece 14 preferably corresponds, and is proportionate, to the size of the body piece 11, or in other words, to the size of type to be cast. The upper mold block and jet block are vertically movable in relation to each other and also vertically movable in relation to the side plates 8 and 9 respectively to conform to the thickness of the body piece and jet piece respectively with which they are temporarily co-operating. 25

Any suitable means may be provided for maintaining the mold block and jet block in suitable longitudinal relation to each other and also for retaining these parts in their proper position in relation to the side plates 8 and 9. In the form shown, the side pieces 8 and 9 are each provided with a suitable vertical groove or channel 15, upon their inner faces and the mold block and jet block are each provided with a projection 15¹ adapted to co-operate with these grooves respectively to control the longitudinal position of the parts and permit the vertical movement above described. 30

The jet block is also provided with a transverse groove 15² and the mold block with a projection adapted to co-operate therewith to lock the same together and yet permit the desired vertical movement between them.

Suitable means are provided to control the vertical position of the mold block 10 and jet block 13. As shown, a pair of set-screws 16—16 are provided in the plate 4 positioned to engage the mold block 10 near its extremities to force the same downward, and a cap screw 18 is positioned in a suitable opening near the center of the plate 4 and arranged to engage a suitable threaded opening in the mold block 10 preferably near its center to draw the mold block upward and hold the same firmly in contact with the ends of the set screws 16—16 thus accurately controlling the vertical position of the mold block. 45

A substantially similar arrangement may be provided for the jet block 13, but in the form shown, only the screws 17—17 are provided to force the jet block downward, as in actual practice it has been demonstrated that the cap screw may be omitted without materially interfering with the operation of the device. 50 55

Marks's Improvements in Type and other Metal Casting Machines.

In the form shown, the upper mold block 10 is provided with one or more ribs or equivalent means 10¹ on its lower face arranged to extend across the mold space and adapted to form the characteristic nicks on one side of the type. A recess or groove 11¹ is formed in the upper face of the body piece 11 to receive the rib 10¹ and co-operate therewith.

The parts above described form three walls of the type and jet cavities, the body-wise size of which is determined by the thickness of the members 11 and 14. The remaining side of the mold is formed by a vertically movable member 19 positioned in a slot 20 in the stand 3, and adapted to fit against the ends of the mold and jet blocks to close the open side of the mold. The set-wise size of the type is determined by the distance the body piece 11 is positioned from the vertical member 19 during the casting operation.

The body piece 11 and jet piece 14 are each removably attached to a common pusher plate 21, by means of pins 22 or other suitable means upon the pusher plate extending into suitable openings in the body piece and jet piece. A shaft 24 is mounted in suitable bearings 24¹—24¹ on the stand 3, and a bell crank lever 23—23¹ is rotatably mounted on the shaft 24. A shaft 25 is also mounted in suitable bearings 26—26¹ on the base 1 and a co-operating bell-crank lever 27—27¹ is rotatably mounted on the shaft 25. The arm 27¹ of the bell-crank lever 27—27¹ is provided with a bevel segmental gear adapted to co-operate with a similar gear upon the arm 23¹ of the bell crank lever 23—23¹. The free end of the arm 27 of the bell-crank 27—27¹ is provided with a suitable roller 28 adapted to co-operate with a cam 29 upon a shaft 30 rotatably mounted in suitable bearings upon the base 1.

Any suitable means may be employed to adjustably connect the pusher plate 21 and the lever 23. As shown, a link 31 is pivotally attached to the plate with a part threaded to fit the threads upon the interior of a sleeve-nut 32, which in turn is threaded externally to fit an opening in a block 33, which is pivotally connected to the extremity of the lever 23 by a pin 34. The threads upon the interior and exterior of the nut 32 are pitched oppositely, that is, one is right hand and the other is left hand, so that a rotation of the nut will change the distance between the block 33 and the pusher plate the combined pitch of the threads upon the nut.

In order to adjust the mold cavity to produce type of varying set widths, the nut 32 is rotated to change the distance between the plate 21 and the block 33.

The vertically movable member 19 is adapted to be depressed after each type has been cast in the mold to permit its ejection therefrom, the top face of the member 19 forming in its depressed position a support for the type as it is transferred across the recess in the stand 3.

Any suitable means may be employed for periodically elevating and depressing the member 19, and controlling the extent of its movement. As shown, a stem 35 is attached to the lower end of the member 19 by a pin 36, a suitable opening in the base 1 being provided to guide the lower end of the stem 35. A collar 37 is attached rigidly to the stem 35 and a bushing 38, and a spring 39, are loosely mounted on the stem above the collar 37.

A bell-crank lever 40—40¹ is pivotally mounted on the shaft 25, one end 40¹ being forked and adapted to be inserted between a shoulder 41 upon the stem 35 and the bushing 38. The arm 40 is fitted with a roller 42 positioned in operative relation to a cam 43 upon the shaft 30.

Any suitable means may be employed for adjusting the vertical movement of the member 19 and providing a positive stop to bring the top of the member 19 substantially to the level of the bottom of the mold cavity. As shown, a block 44 is positioned in a diagonal groove 44¹ in the stand 3, and provided with a diagonal rib 45 on one of its faces, the rib 45 is adapted to engage a shoulder 46 on the member 19 when the member is depressed and form a limit to its downward movement.

The parts are so proportioned that the lever 40—40¹ is given excessive move-

Marks's Improvements in Type and other Metal Casting Machines.

ment so as to cause a compression of the spring 39 to take up any lost motion in the parts and insure the proper seating of the shoulder 46 upon the rib 45 each time the vertical member is depressed. In the form shown, the adjustment of the stop 44 is accomplished by means of a screw 47 extending into the recess 44¹ and threaded into the block 44. A suitable head or handle is provided upon the screw 47 having two concentric flanges 47¹—47² adapted to engage the opposite sides of a bearing 48 on the stand 3. By rotating the screw 47 a very close and accurate adjustment of the stop block 44 may be made. 5

Any suitable form of matrix may be employed, and held in position to co-operate with the mold in any desired manner. As shown, the matrix 49 consists of a flat rectangular plate having a character or die on its flat side. The matrix 49 is mounted upon a matrix carrier comprising a carriage 50 provided with a groove or depression 51 upon each side, or other suitable means, adapted to co-operate with guides or ways 52 upon the stand 3 to accurately guide the movement of the carriage 50, preferably in a horizontal direction at substantially right angles to the mold. 10 15

The vertical position of the matrix upon the carriage is preferably controlled by an inverted T-shaped block or matrix support 53, one arm of which is adapted to extend beneath and support the matrix. The block 53 is positioned in a suitable chamber or recess in the bottom and front of the carriage and provided with suitable means co-operating with the sides of the carriage to permit the desired vertical adjustment of the block. A screw 54, or other suitable means connects the block and carriage, and controls the vertical adjustment of the block, thus providing convenient means for accurately adjusting the position of the character upon the matrix to the mold. 20 25

Any desired means may be employed for clamping the matrix upon the block. As shown, a filling block 55 is mounted in suitable ways upon the block 53 and a bent plate 56, is attached to the top of the block 53, and adapted to hold the block 55 firmly in place. The matrix 49 is inserted in a groove 57 in the block 55, and an upturned lip 58 on the block 53 engages the lower edge of the matrix, providing a suitable seat for the matrix and preventing its vertical or lateral movement on the block 53. 30

Matrices of the kind shown in the drawings are usually formed of uniform dimensions, irrespective of the size of the character they are intended to produce and the characters are usually located a fixed distance from one edge of the plate and are usually of a certain dimension or number of "points" in width, or "setwise." The parts of my machine are shown arranged for the above described kind of matrix however, merely for the purpose of illustration, as it is evident that my machine may be arranged for employing any kind of matrices whether possessing the characteristics above described or otherwise. 40

In the form shown, the vertically movable member 19 is recessed at its front edge, as shown in Figs. 4 and 9, to engage both the front and one side of each matrix when in casting position, it being understood that this side portion is of uniform width in all matrices of the character described. An auxiliary member 59, is adjustably attached to the pusher plate 21, and operates outside the mold cavity. This member is adapted to engage the opposite side of the matrix at the mold and limit the movement of the pieces 11 and 14 toward the vertical member 19, and thus control the setwise dimensions of the mold cavity. 45 50

Any desired means may be employed for adjusting the relation between the auxiliary mold member 59 and the mold piece 11. As shown, a suitably formed recess is provided between the plate 8 and the body piece 11 and the block 59 is fitted in the recess and arranged to move longitudinally therein. A lug 60 is formed upon the block 59 adapted to extend into an opening 61 in the pusher plate 21. The opening 61 is made considerably longer than the dimension of the lug 60 to permit longitudinal adjustment between the block 59 55

Marks's Improvements in Type and other Metal Casting Machines.

and the pusher plate 21. In the form shown, a series of plates (see Fig. 6) of various thicknesses, are provided for insertion in the opening 61 between the end of the opening and the lug 60, and a set-screw 62 threaded into the end of the pusher plate 21 is provided to clamp the parts tightly together to prevent longitudinal movement therebetween. The plates temporarily out of use may if desired be conveniently placed at the opposite side of the lug in the opening 61 and clamped in place by the set-screw 62, though of course this is not essential to the operation of the device. These plates are preferably numbered according to their thickness, and as each matrix is stamped upon its face with the width of its particular character in points, it is only necessary for the operator to place the plates corresponding to the number upon the matrix in the opening to produce the proper size of mold cavity for the matrix. This being done, the matrix carrier 50 is advanced against the mold and the cam shaft 30 rotated to bring the mold members into casting position. The sleeve-nut 32 is then rotated to cause the end of the auxiliary mold member 59 to contact with the edge of the matrix, and press its opposite edge firmly against the recessed wall of the vertical member 19. By this arrangement an extremely accurate adjustment of the mold cavity is secured and the type produced are of uniform size and accuracy.

Any preferred means may be employed to operate the matrix carrier. In the form shown, a stem 63 is rigidly attached to the carriage 50 and provided with a head 64, and a spring actuated collar 65 arranged to move longitudinally of the stem, and resiliently forced toward the head 64. A lever 69 is loosely mounted upon the shaft 25 with its upper end bored longitudinally to receive a cylindrical stem 66 having a forked head 67 adapted to engage the head 64 upon each side of the stem 63. A set-screw 68 or other suitable means is provided to retain the stem 66 in its elevated position. The opposite end of the lever 69 is provided with a roller 70 arranged to co-operate with a cam 71, mounted upon the shaft 30, thus providing means for positively withdrawing the matrix carrier from the mold. The collar 65 engages the forked head 67 and resiliently maintains the same in contact with the head 64, the spring 65¹ forming a cushion which, when the machine is in operation, seats the matrix resiliently against the mold, insuring a perfectly tight joint between the mold and matrix, and compensating for wear in the parts. The stem 66 is adapted to be thrust into the opening in the lever 69 or lowered sufficiently to release the matrix carrier and facilitate its removal, to provide convenient means for changing matrices as desired.

The metal pot may be of the usual or any preferred form or construction for storing a suitable quantity of metal and maintaining the same at a proper temperature, and may be arranged in any desired manner for periodically introducing a quantity of the metal contained in the pot into the mold. In the form shown, the metal pot comprises a reservoir or crucible 72 provided with a jacket or housing 73, a nozzle 74 projecting through the lower front side of the jacket, and means for controlling the discharge of metal from said nozzle, the whole being preferably supported so that the nozzle opening will constantly be presented to a port communicating with the jet cavity of the mold. The nozzle 74 is connected to the reservoir 72 by a passage 75, a recess 76 and a well or cylinder 77. A suitable valve or choker 78 is positioned in the passage 75 to control the opening therethrough, and the discharge of metal from the reservoir.

The cylinder 77 is preferably circular, of uniform section, and located vertically near the center of the bottom of the reservoir with its upper end open. The passage 75 extends from the nozzle to the cylinder and is also preferably circular in section. The recess 76 is formed in the bottom of the reservoir 72 near the cylinder 77 and extends downward to a point slightly below the bottom of the passage 75, and communicates freely therewith. The valve or choker 78 is formed to snugly fit the passage 75 and is provided with a tip or

Marks's Improvements in Type and other Metal Casting Machines.

point suitably formed to fit within and close the nozzle opening. A duct 79 extends longitudinally of the choker 78 and terminates near the tip or outer end in two openings 81—81¹, the choker 78 is preferably so formed that when in position closing the nozzle, the tip of the choker will be just flush with the face of the nozzle, and the passage 75 open to the recess 76, so that metal in the reservoir is free to pass into the passage and the lower portion of the cylinder 77. When the choker is retracted to open the nozzle, the body of the choker extends across the lower portion of the recess 76 and completely cuts off communication between the passage 75 and the recess.

The operation of the choker 78 is preferably controlled by a bell-crank lever 80—80¹ pivotally mounted at the top of the metal pot upon suitable brackets 82—82¹. The arm 80 extends downward through the reservoir into the recess 76, where it is suitably formed to engage an annular groove 83, or other suitable means, upon the choker for positively controlling its position. The arm 80¹ extends forward, and near its free end is connected by means of a link 84 (see Fig. 11) to the arm 85 of the bell-crank 85—85¹ pivotally mounted upon the shaft 25, with its arm 85¹ extending downward into the path of a projection or cam 86 upon the shaft 30. A spring 87, or other suitable means, extends from a support upon the arm 80¹ to a bracket 88 rigidly mounted on the support 82¹ and is adapted to normally hold the link 84 in an elevated position and the choker closed.

The cylinder 77 is fitted with a plunger 89 connected, by means of a link 90 passing upward through the reservoir, to a lever 91 pivotally attached to a bracket 92 upon the metal pot supporting arm 93. A link 94 is attached to the free end of the lever 91, with its opposite end attached to the free end of a lever 95, pivotally mounted on the shaft 25. A downwardly extending central member 95¹ is provided upon the lever 95 with a roller 96 at its extremity adapted to co-operate with a cam 97 mounted upon the shaft 30. A spring 98 or other suitable means, is attached to the lever 95 tending to resiliently hold the lever and associated parts at the lower limit of their movement, while the cam 97 is formed to engage the roller 96 and elevate the parts to raise the plunger 89 to the upper limit of its movement and hold it there until the parts are in position to receive a charge of metal from the pot, when a depression in the cam permits the plunger to drop suddenly under the action of the spring 98.

The metal pot supporting arm 93 is preferably pivotally mounted at one end upon the pedestal 1 as at 99 and is formed to curve about the rear of the metal pot, with its free end resting upon the opposite side of the base 1, and secured thereto by a suitable pin 100 or other convenient means, so that when desired the connection between the levers 80¹ and 91 and their respective operating links 84 and 94 may be released, the pin 100 removed, and the entire metal pot swung back from the mold, affording convenient access to the back of the mold and the front of the metal pot.

The metal pot may be mounted upon the arm 93 in any suitable manner. As shown, two lugs or brackets 101—101 are provided upon opposite sides of the pot, projecting through the jacket 73, and suitably formed to rest upon the arm 93 to support the pot. Each lug is preferably provided with an adjusting screw 102 or equivalent means, adapted to engage the arm to adjust the vertical position of the pot. The nozzle 74 is secured in operative relation to the mold by means of a nozzle plate 103 fitted to the back of the mold and having an opening communicating with the jet cavity. The vertical position of the plate 103 is controlled by a set-screw 105 extending through the plate 4, and against sidewise movement by its position between the shoulders 104—104 of the adjacent parts. The plate 103 is provided with a conical seat for the nozzle 74 adapted to hold the parts so that the opening in the nozzle will accurately register with the opening in the plate.

A boss 135 is provided upon the back of the reservoir, projecting through a

Marks's Improvements in Type and other Metal Casting Machines.

suitable opening in the jacket 73. A spring actuated plunger 106 is fitted in a suitable opening in the arm 93 in position to engage the boss 135 and resiliently force the nozzle 74 against the plate 103. A suitably formed set-screw 107 and a spring 108 is provided to adjust the resilient pressure of the plunger 106 against the boss and may also be employed to positively control the horizontal position of the metal pot. In the preferred arrangement, the screw 107 is so adjusted that when the device is first put in operation, the position of the metal pot, which is slightly below its normal temperature, will be controlled by the resilient action of the plunger 106 against the boss 135, but after the metal pot has acquired its normal operating temperature, owing to the resulting expansion of the parts, the tip of the screw 107 will engage the plunger 106 and thus positively control the pressure of the nozzle against the plate 103 and hold the same firmly in its proper position at the back of the mold.

In the form shown, the metal pot is provided with the usual cover plate 109, and a burner 110 for oil, gas or other suitable liquid combustible is provided, and may be attached in any desired manner by means of a hose or pipe 111 to a suitable source of supply (not shown).

Any suitable means may be employed to rotate the shaft 30. As shown, a motor 130 is mounted within the pedestal and connected by a train of gears 112—113 to the shaft 30 so that the same will rotate at a suitable speed to produce the most desirable rate of operation of my device, the several parts of which are preferably so proportioned and timed that a single cast is made at each rotation of the shaft.

In the preferred operation, the vertically movable member 19 is first raised, then the matrix carrier is advanced until the face of the matrix in the carrier is pressed firmly against the faces of the mold members. The body piece 11 and jet piece 14 are then moved toward the member 19 until the auxiliary mold member 59 is pressed against the edge of the matrix. When thus positioned, the metal pump and choker are operated and a charge of metal is forced into the mold. The matrix carrier is next withdrawn and the member 19 depressed. When this is accomplished, the body piece 11 and jet piece 14 are advanced and the type is forced out of the mold over the top of the member 19, and into the space between the plate 114 and shoe 115, where the type is held against longitudinal movement by the engagement of a rib upon the lower face of the shoe 115, with the nick formed in the type.

The means employed to engage the type and prevent its retraction with the parts 11 and 14 will now be described. As shown (see Fig. 8) a cam or projection 116 is provided upon a shaft 117, adapted to project through the plate 114 and engage a type as it is ejected from the mold and hold the same while the ejector is being retracted. The shaft 117 is mounted in suitable bearings in the stand 3 with an arm 118 attached to the end thereof. A link 119 connects the free end of the arm 118, to one end of a lever 120 mounted intermediate its ends upon the shaft 25. A roller 120¹ is provided upon the opposite end of the lever 120 adapted to co-operate with a cam 121 upon the shaft 30, and a spring 122 extending from the lever 120 to a suitable portion of the machine is adapted to resiliently force the roller into operative engagement with the cam. The cam 116 is so positioned as to engage the thinnest type the machine is adapted to cast without engaging the body piece 11. The thickest type will therefore only be engaged at their forward edges, as it is obvious that the operation of the mold as above described is such as to always bring the front edge of all type as discharged from the mold into exactly the same position, regardless of their thickness. Immediately after the retraction of the parts 11 and 14, the cam 116 is moved to release the type and the ejection of the succeeding type from the mold advances the type previously cast toward the type receiving stick 123.

Any desired means may be employed to break and remove the jets from the type and thereafter tool or finish the feet. As shown, an arm or breaker 124 is

Marks's Improvements in Type and other Metal Casting Machines.

rigidly attached to the link 84 positioned to engage the jet attached to the foot of each type as it comes to rest after being ejected from the mold. A pocket or opening 125 is provided in the stand 3 directly beneath the jet ends of the type when in the above described position. At each operation of the link 84 the breaker 124 engages the jet of the type previously cast and presses it downward, breaking the same from the type and forcing it into the pocket 125, whence it is directed by the chute 126 into any convenient receptacle. As each type is ejected, the type previously cast are pressed forward, and the rough break in the foot of each type is acted upon by the cutting lips of a plow or cutter 127, attached to the stand 3. A projecting lip 127¹ (see Fig. 8) on the plow is adapted to engage the jets, if for any reason they are not entirely removed by the breaker 124, and its curved under face forces any remaining portion of the jet downward before it reaches the cutting lips of the plow. The link 84, has a positive downward movement, and ordinarily the breaker 124, will thoroughly remove the jets, so that in practice it has been found that the projecting lip 127¹ may be omitted without interfering with the satisfactory operation of the machine. The plow 127 is preferably so mounted upon the stand 3 that the same may be readily removed and replaced by another plow having cutting lips of suitable dimensions to plow the feet of type whose jets are of larger or smaller cross-section. Suitably formed trimming knives 128—128¹ are also attached to the plate 114 and shoe 115 adapted to operate simultaneously with the plow 127 to trim the front edges of the type and remove any burrs or fins of metal adhering to the type. The shoe 115 is vertically adjustable in relation to the plate 114 in order that the space between them may conform to the bodywise size of the mold cavity. For this purpose suitably formed screws 132—132¹ are provided, tapped into the shoe 115 and adapted to pass through the slots 133—133¹ in the vertical supports 134—134¹ to clamp the shoe firmly thereto.

Any desired portion of the mold may be provided with suitable cooling means for reducing the temperature of the parts while in operation, in the usual or any suitable manner. In the preferred construction shown, the jet block 13 is provided with one or more water channels 131 for this purpose, the remainder of the mold parts being wholly unprovided with cooling means. When thus constructed the temperature of the several parts of the mold remains fairly even, that is, the jet blocks which are subject to the greatest heat are prevented from acquiring too high a temperature and the temperature of the body pieces of the mold approaches more nearly the temperature of the jet blocks; and the type cast are perfectly parallel and the temperature of the parts is more readily controlled and maintained, greatly increasing the rapidity of operation and the life of the parts.

It has been demonstrated in practice that the best results are obtained by changing the size of the jet to conform to changes in the size of the type mold, so that the larger type have correspondingly larger jets. The construction shown, permits ready removal of the jet piece and its replacement with another of suitable dimensions whenever desired.

In the foregoing specification I have described my improvement as a type-casting machine, but it is obvious that with various slight modifications, my device may be adapted to cast small objects of various shapes, and wherever in the specification or claims the word type is employed, I desire to be understood as referring to such objects as well as type.

It is also obvious that various immaterial modifications may be made in my device without departing from the spirit of my invention, hence I do not wish to be understood as limiting myself to the exact form and construction shown.

Having now particularly described and ascertained the nature of my said invention and in what manner the same is to be performed I declare that what I claim is:

1. A machine for casting type wherein certain of the parts of the mold are

Marks's Improvements in Type and other Metal Casting Machines.

movable and wherein the size of the mold is determined by the engagement of said movable parts with the opposite sides of the matrix.

2. A machine for casting type having a mold as in Claim 1 and a metal pot co-operating therewith, said metal pot being provided with a discharge port and a receptacle adapted to communicate therewith, a tubular choker adapted to control said port and form a passage for the metal and means for periodically forcing the metal through said choker and said port.

3. A machine as set forth in Claim 2, wherein the discharge port is provided with a nozzle end portion adapted to engage an adjustable nozzle plate interposed between said nozzle and the mold.

4. A machine as set forth in Claim 1, wherein the mold includes type molding and jet molding parts forming mold and jet cavities and wherein means are provided for independently adjusting said cavities.

5. A machine as set forth in Claim 4, wherein means are provided for cooling the jet parts only, whereby the jet and type parts are maintained at a substantially uniform temperature.

6. A machine as set forth in Claim 1, wherein a pusher plate is provided which is common to certain movable members of the mold and wherein means are provided for actuating said pusher plate together with adjusting means whereby the position of said plate with respect to said actuating means may be varied.

7. In a machine for casting type having a mold as in Claim 1 and comprising top and bottom members and an intermediate body member, an auxiliary member adjustable with relation to the body member and co-operating with the matrix, to control the set-wise adjustment of the body member.

8. In a machine as set forth in Claim 7, means for adjusting the position of the auxiliary member with relation to the body member comprising a pusher plate upon which the body member is mounted, a lug on the auxiliary member engaging an opening in the pusher plate, varying sized blocks for adjusting the position of the lug therein, and means for anchoring the block or blocks, substantially as described.

9. In a machine as set forth in Claim 1, and having a vertically movable plate forming one wall of the mold cavity, an adjustable stop for limiting the opening movement of said movable plate whereby one of its marginal portions may support the type during ejection thereof from the mold cavity, actuating means for said plate being yieldingly connected therewith to insure engagement between said plate and said stop and thereby insure the correct positioning of said plate.

10. A machine as set forth in Claim 1, wherein a cam is provided for engaging each type as ejected to press the same upwardly to effect the removal of the type from the ejector, substantially as described.

11. An improved machine for casting type, substantially as described with reference to the accompanying drawings.

Dated this 24th day of March 1908.

45

MARKS & CLERK,
18, Southampton Buildings, London, W.C.
13, Temple Street, Birmingham, and
30, Cross Street, Manchester.
Agents.

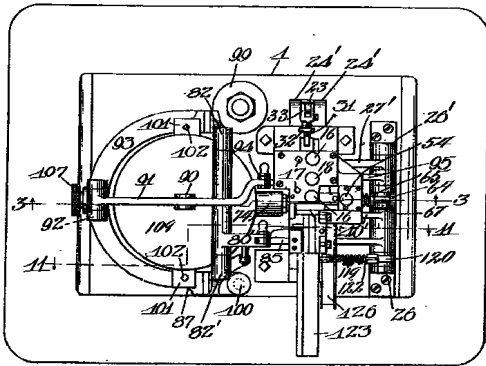


Fig. 1.

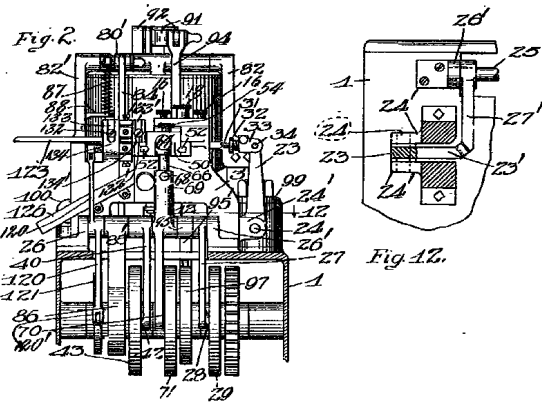


Fig. 17.

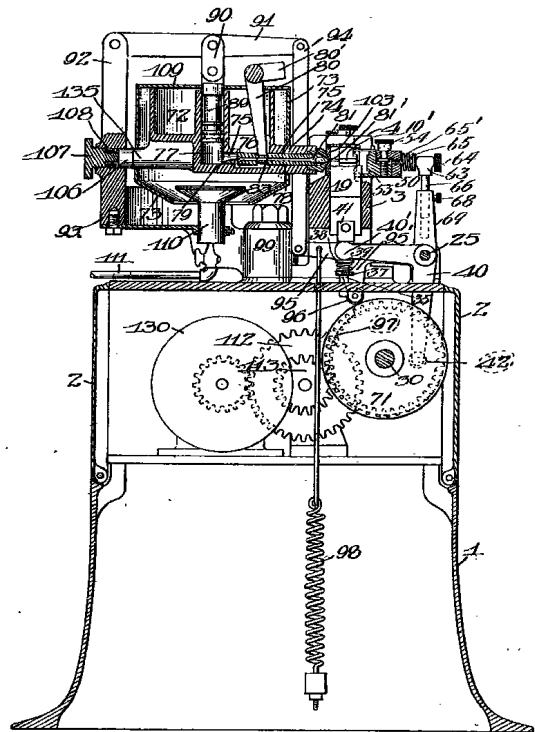


Fig. 3.



[This Drawing is a reproduction of the Original on a reduced scale.]

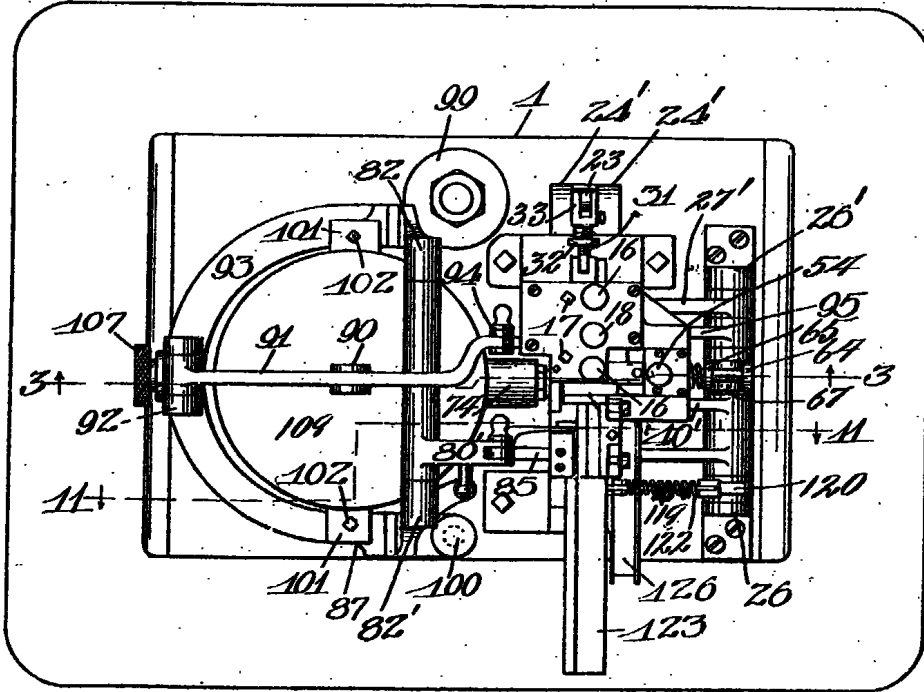


Fig. 1.

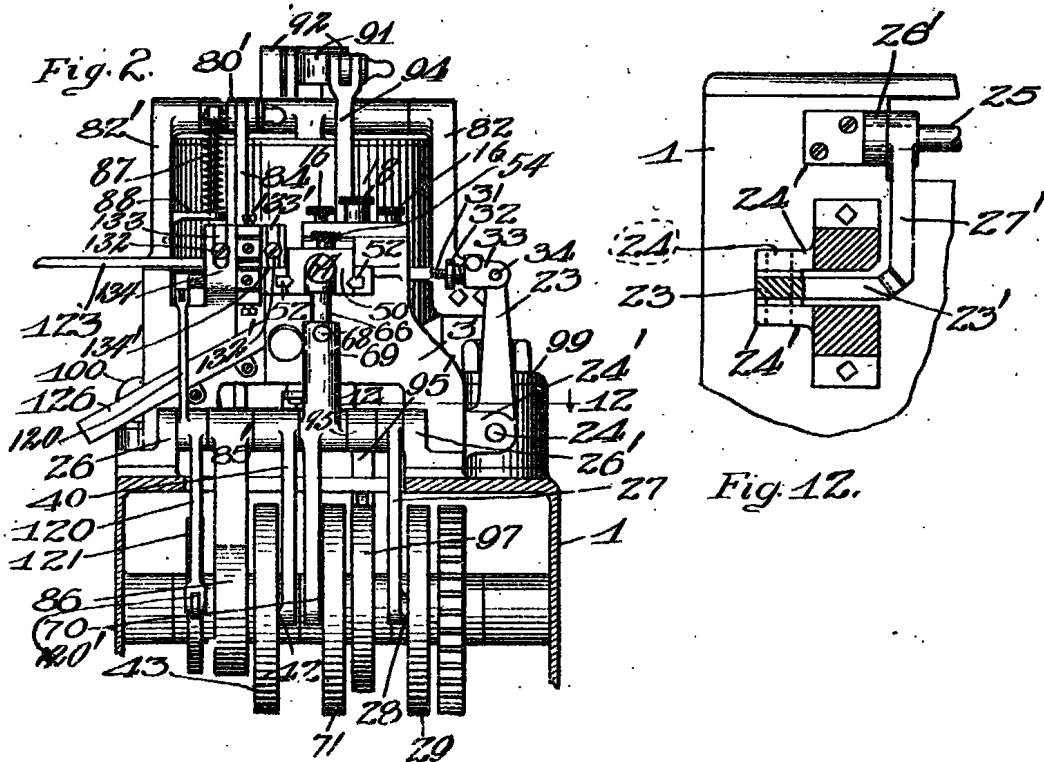


Fig. 12.

[This Drawing is a reproduction of the Original on a reduced scale.]

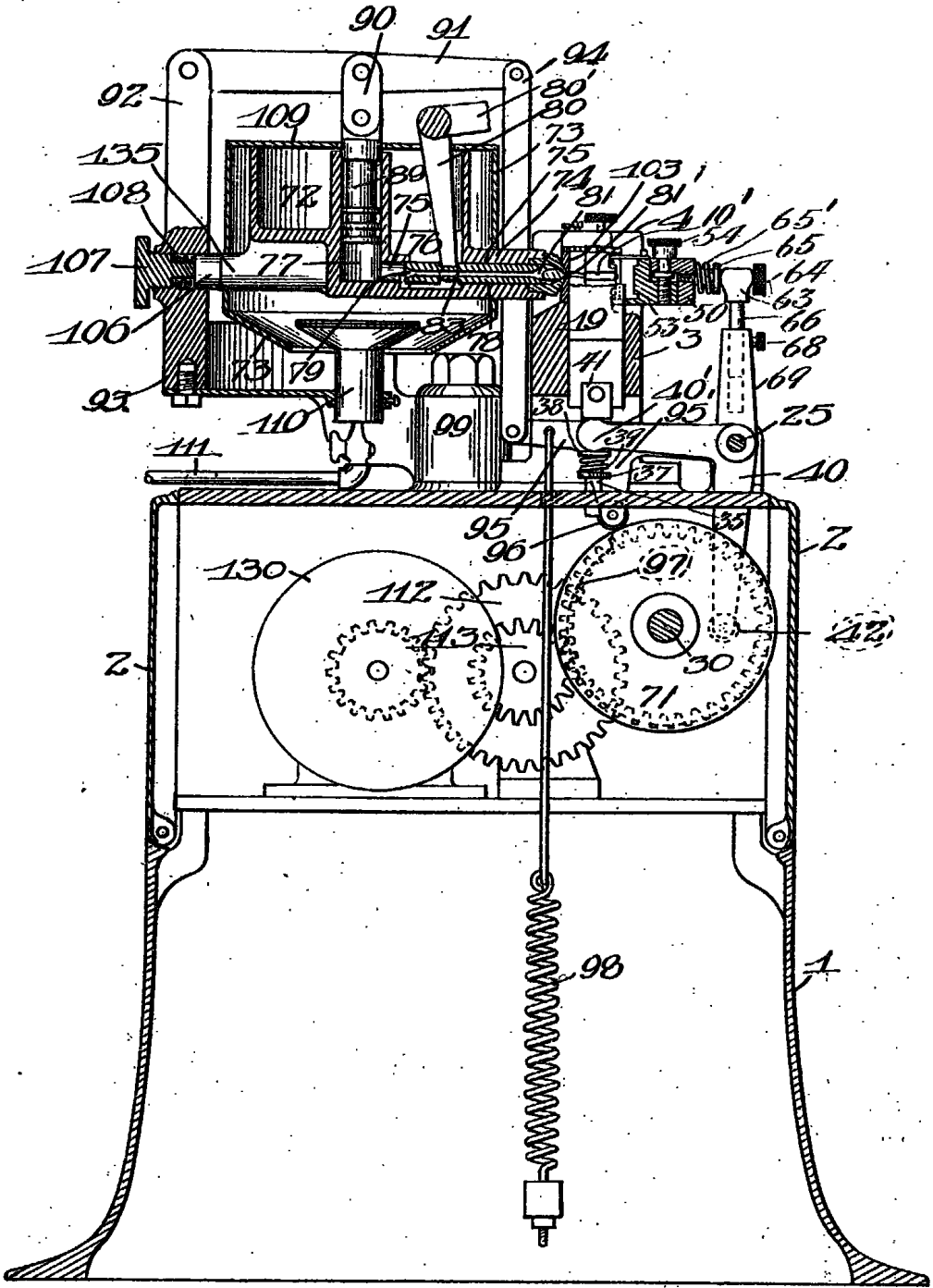
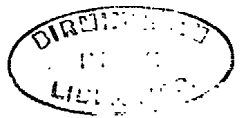


Fig. 3.



[This Drawing is a reproduction of the Original on a reduced scale.]

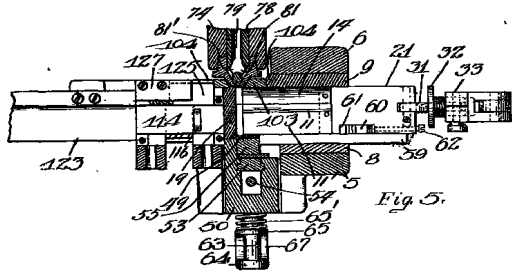


Fig. 5.

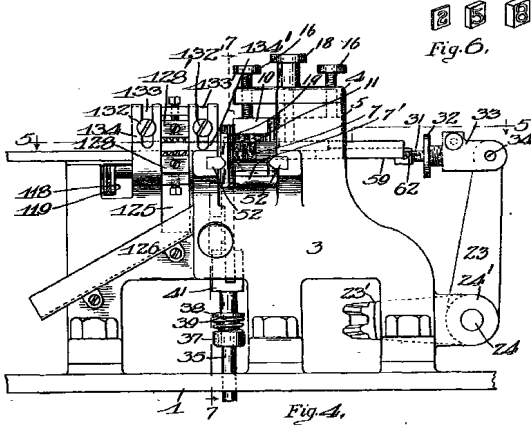


Fig. 4.

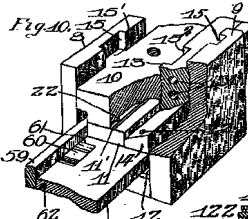
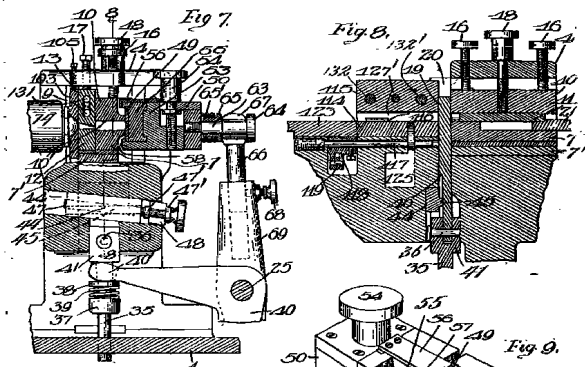


Fig. 10.

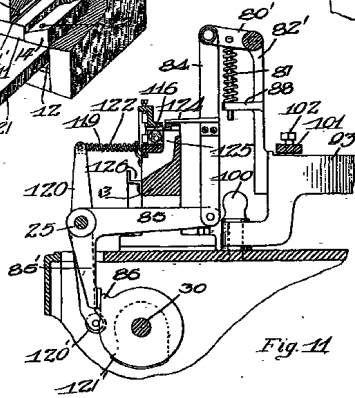


Fig. 11.

BIRMINGHAM FREE LIBRARY

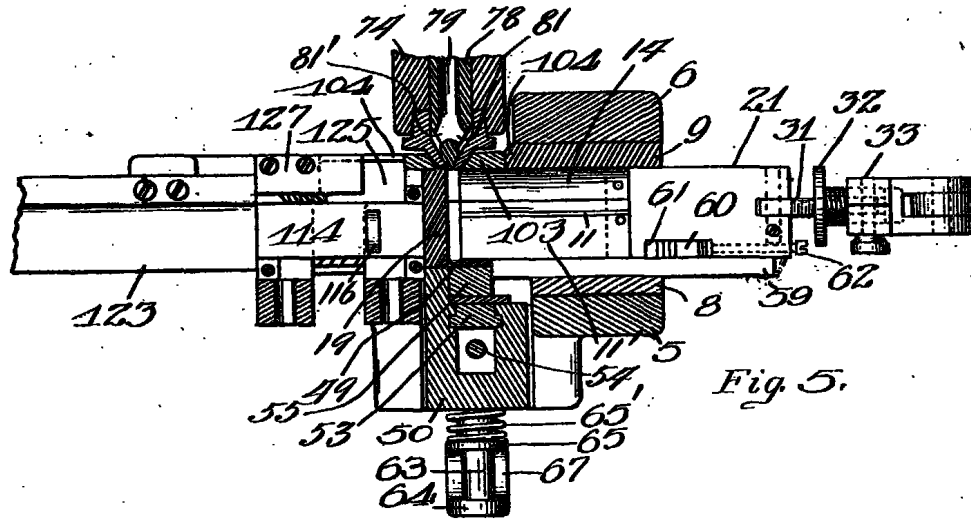


Fig. 5.

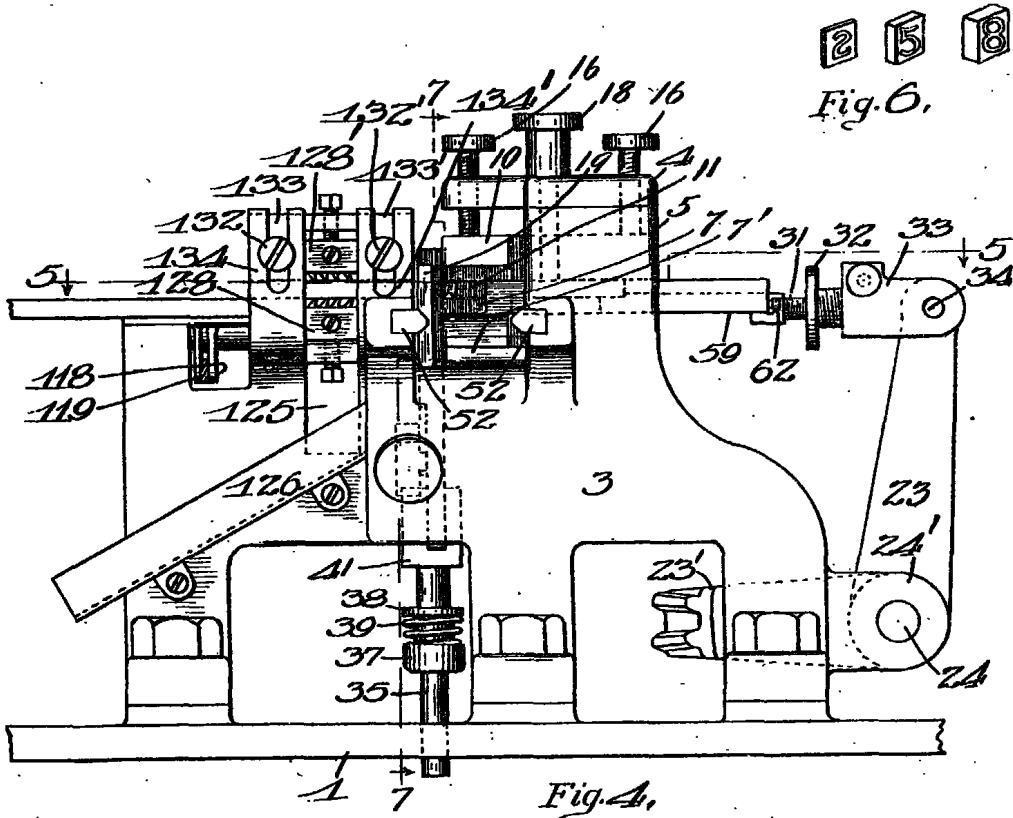


Fig. 4.

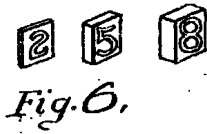
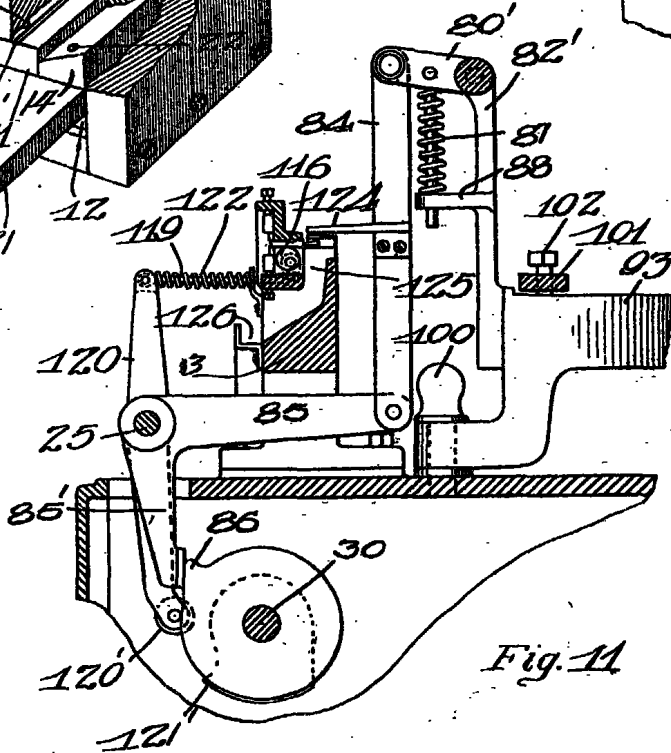
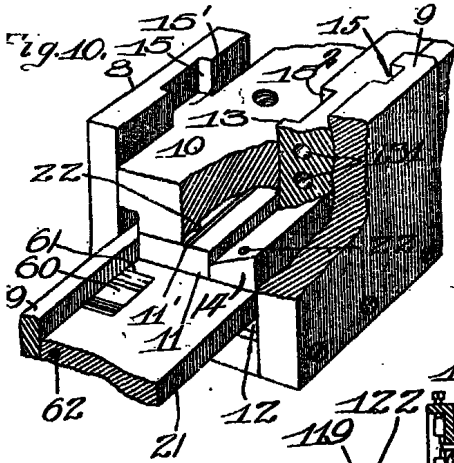
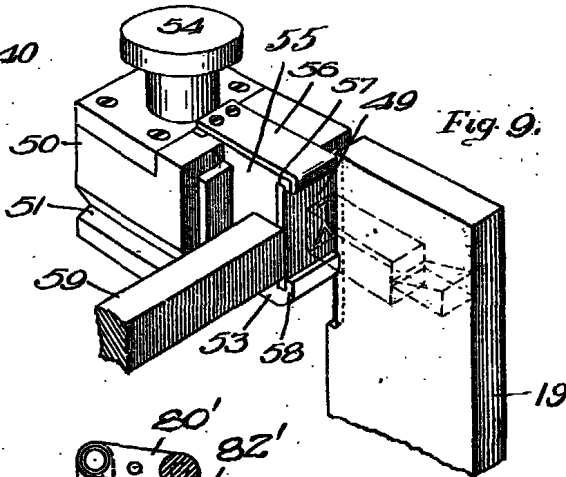
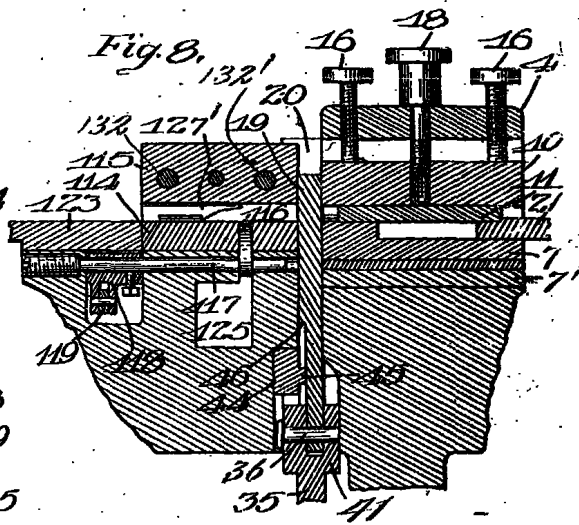
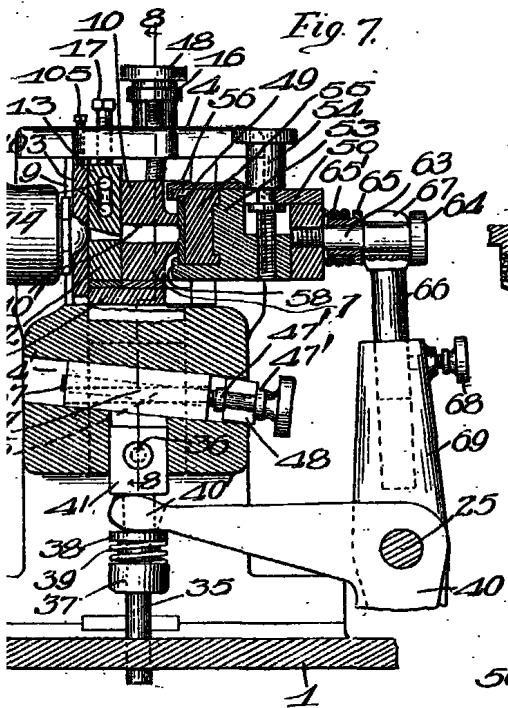


Fig. 6.

[This Drawing is a reproduction of the Original on a reduced scale.]





BIRMINGHAM
FREE
LIBRARIES