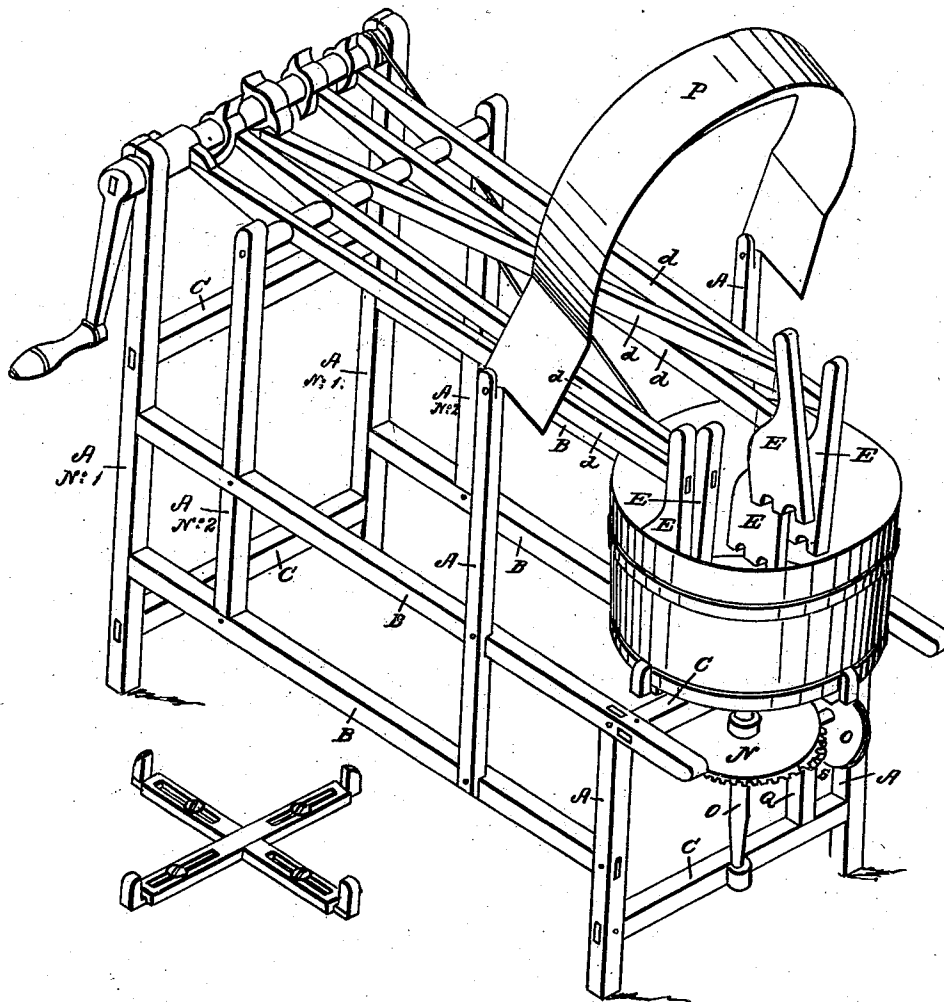


C. AUMOCK.
Meat Pounder.

No. 626.

Patented March 10, 1838.



UNITED STATES PATENT OFFICE.

CHRISTOPHER AUMOCK, OF ELBRIDGE, NEW YORK.

ROTARY POUNDER FOR WASHING CLOTHES AND APPLICABLE TO OTHER PURPOSES.

Specification of Letters Patent No. 626, dated March 10, 1838.

To all whom it may concern:

Be it known that I, CHRISTOPHER AUMOCK, of the town of Elbridge, in the county of Onondaga and State of New York, have invented a new and useful machine for washing clothes, pounding crackers, hulling rice, 5
pounding ores, plaster, corn, and oil-cake and cutting sausage-meat, applicable to a vast variety of other similar uses, called the "Rotary Pounder"; and I do hereby declare that the following is a full and exact description.

The rotary pounder consists of an oblong frame having eight upright posts, (of which 15
however only the four end posts, two at each end, extend to the ground or floor on which the frame is placed being the corner posts which support the whole frame and machinery). The two end posts at one end of the frame, called the highest end are 38
20 inches in length. Those at the lower end are each 19 inches in length or height. The other four posts two on each side reach no farther down than to the lower side piece into which they are framed, but from that 25
as a base they rise to a height corresponding with the high end of the highest end posts, passing through or framed into or with the other or upper horizontal side 30
pieces. There are in the frame four of said horizontal side pieces, two on each side each 42 inches in length at a distance of 13 inches one above the other. The upper of said side pieces rest on the top of the lower end posts 35
of the frame at the low end of said frame. The side pieces are marked in the drawing with the letter B. There are also in the frame four horizontal end pieces marked 40
in the drawing with the letter C. The uppermost of the horizontal end pieces, at the lower end of the frame, is framed into the uppermost horizontal side pieces. The width of the whole frame is two feet but may be varied, by enlargement or diminution of 45
proportions to any desired size. The upright posts are marked in the drawing with the letter A, and the two highest are numbered No. 1 and the two posts next to them at a distance of ten and one half inches on 50
each side, from said high end posts are numbered No. 2. A fulcrum called a lever pin crosses the frame passing through and framed into the tops of posts Nos. 2 on which of course the said lever pin rests. 55
Between said posts Nos. 2 said lever pin passes through five levers marked in the

drawing with the letter *d*, attached to the extreme end of which levers and raised above the lower end of the whole frame are five pounders (one to each lever) marked in 60
the drawing with the letter E. The length of the levers and pounders depend upon and are regulated by the length and height of the frame. In the frame above described the length of the levers would be 38 inches 65
and the length of the pounders 15 inches. On top of the posts marked No. 1 is a cylinder of three and three fourths inches in diameter called a roller in which roller at suitable and 70
equal distances are five pins which are mortised through the diameter of the roller and form ten starts of one and three fourths inches in length beyond the surface of the roller and so arranged on the said surface 75
as to surround it spirally giving in the revolution of the cylinder or barrel two starts to each lever. The pivots or eyes on which the cylinder rests or turns at each end pass 80
through the top of said end posts Nos. 1, and at one end is attached a crank for the turning of it. The crank is also furnished with a handle. By the revolution of the cylinder by means of force applied at the crank, the 85
starts or pins just described as passing through the surface and diameter of the roller strike the other end of the levers, and thus raise the pounders alternately; the pounders alternately raised fall in the same 90
manner (as the cylinder proceeds in its revolution) into a tub or receptacle containing whatever is to be washed, cut, pounded or hulled as the case may be.

In the drawing to which this description refers the platform on which the tub is placed is hidden by the tub itself, that plat- 95
form is firmly fixed on top of a perpendicular iron axis fastened, at the bottom, in the lower horizontal end piece (at the lower end of the machine) marked C, and extending upward and through the upper of said end 100
pieces (or by a fastening on the side of said end pieces as may be most convenient). Fixed to the center of this axis is a horizontal cog wheel (with the cogs on the under side) the cogs of which match with the 105
cogs of another smaller cog wheel placed perpendicular and marked S, the first named, horizontal cog wheel being marked N. The smaller cog wheel aforesaid is fastened to one end of an iron axis placed hori- 110
zontally on the other end of which is small wheel (marked O, in the drawing) designed

to receive a band or cord which cord or band surrounding the periphery of the small wheel or pulley O, at that end, extends to and surrounds, at the other end, the periphery of the roller being kept in place at each end by a whurr fixed on the surface of the roller and the outer edge or circumference of the small wheel.

The axis on which the small cog wheel and the other small wheel or pulley revolves is fastened at or near its center on or to a perpendicular end piece passing from the two horizontal end pieces marked C, into which it is framed. Said perpendicular end piece is marked Q, in the drawing. The platform so called in which the tub rests is composed of four arms diverging from a common center at equal angles and on each arm is a slide, held to its place by a screw by means of which the platform may be enlarged or contracted at pleasure so as to accommodate it to the size of the tub. By means of the cog wheels and gearing connected therewith (on the roller being turned by hand) the tub is made to revolve constantly and the pounders aforesaid by the same power alternately raised (as the roller revolves) constantly keep falling alternately into the tub in new places as the tub revolves. Attached to each upper end of the high posts marked A (and not numbered) is a semicircular cover so fixed to the posts at each of its ends as to be turned up or let down at pleasure and which when turned down forms a cover (marked P,) resting over the tub and pounders at such a distance from both or either as not to interfere or prevent the ascent of the pounders. The cover prevents the water or other contents of the tub from flying over when the machine is in opera-

tion. The clothes, dough for crackers, rice, ores, plaster, corn, oil cake, or sausage meat intended to be washed, pounded or cut are to be placed in the tub or receptacle aforesaid (marked tub in the drawing). By turning the upper shaft or roller by means of force applied by the crank a rotary motion is given to the tub and contents and by the same operation the pounders are made to rise and fall down upon the contents of the tub. By the rotary motion different parts of the mass or contents of the tub intended to be acted upon washed pounded or cut are successively brought under the action of the pounders.

For cutting sausage meat knives or chisels of any suitable or convenient description are to be fastened firmly on the ends of the pounders. For hulling rice cast iron pestles made in the form of a fluted rasp and the flutes alternately reversed in every alternate pounder or of any other suitable and convenient description are to be firmly fastened to the ends of the pounders. For pounding ores, plaster or oil cake a cast iron end of any convenient form is made for the pounders so as to be durable. For washing clothes wooden pounders are usually used so as not to tear or injure the clothes. For pounding dough for crackers a cast iron end is made.

What I claim as my invention and desire to secure by Letters Patent is—

The revolving platform or tub in combination with pounders operating substantially as above described.

CHRISTOPHER AUMOCK.

Witnesses:

HIRAM F. MATHER,
CHARLES S. TAYLOR.