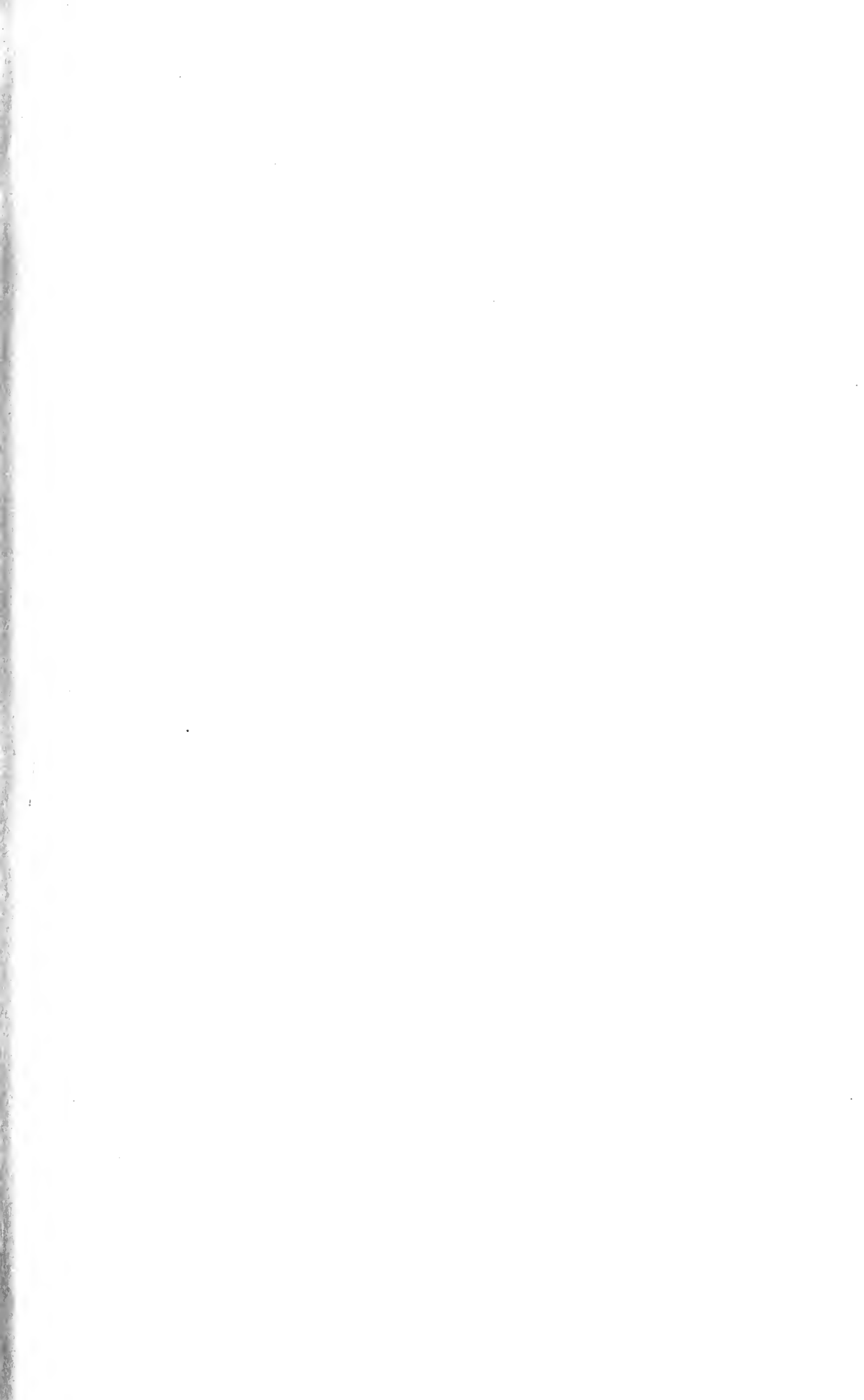


FACULTY OF LAW LIBRARY
UNIVERSITY OF TORONTO

Fine Binding
THE CARSWELL COMPANY LIMITED





LAW LIBRARY
JH15 27
FACULTY OF LAW
UNIVERSITY OF TORONTO

INDEX OF REGULATIONS

FILED UNDER THE REGULATIONS ACT

To December 31st, 1964

PART I

5755

Showing the Regulations contained in Revised Regulations of Ontario, 1960 and the Regulations filed after the Revised Regulations came into force on or before the 31st day of December, 1964, other than those set out in Part II.

	Regulation No.		Date of Gazette
	R.R.O. 1960	O. Reg.	
A			
Active Service Moratorium Act, 1943			
Application.....	1
Agricultural Associations Act			
Designation of Associations.....	2
<i>amended</i>	14/63	Feb. 2/63
<i>amended</i>	118/63	June 1/63
Agricultural Development Act			
Interest on Loans.....	4
Agricultural Development Finance Act			
Deposits.....	5
<i>amended</i>	187/62	Aug. 4/62
Agricultural Societies Act			
General.....	6
<i>amended</i>	65/62	Mar. 24/62
Air Pollution Control Act			
Industrial Sources.....	...	296/64	Nov. 14/64
The Air Pollution Control Advisory Committee.....	...	18/62	Feb. 3/62
Alcoholism and Drug Addiction Research Foundation Act, 1949			
Brookside Hospital.....	7
Anatomy Act			
Duties of Inspectors and Fees.....	8
Andrew Mercer Reformatory Act			
General.....	9
Apprenticeship and Tradesmen's Qualification Act, 1964			
Barbers.....	...	267/64	Oct. 24/64
Barber Schools.....	...	268/64	Oct. 24/64
Bricklayers.....	...	264/64	Oct. 24/64
Building Trades.....	...	277/64	Oct. 24/64

	Regulation No.		Date of Gazette
	R.R.O. 1960	O. Reg.	
Apprenticeship and Tradesmen's Qualification Act, 1964—Continued			
Carpenters	270/64	Oct. 24/64
Cooks	269/64	Oct. 24/64
Electricians	271/64	Oct. 24/64
General	279/64	Oct. 24/64
Hairdressers	272/64	Oct. 24/64
Hairdresser Schools	273/64	Oct. 24/64
Masons	278/64	Oct. 24/64
Motor Vehicle Repairers	274/64	Oct. 24/64
Plasterers	276/64	Oct. 24/64
Watch Repairers	275/64	Oct. 24/64
Workers in Servicing and Installing Air-Conditioning or Refrigerating Equipment	266/64	Oct. 24/64
Archaeological and Historic Sites Protection Act			
Archaeological Sites	27
<i>amended</i>	271/62	Oct. 27/62
Historic Sites	28
Architects Act			
Complaints	29
<i>amended</i>	312/63	Nov. 30/63
Artificial Insemination of Cattle Act, 1962-63			
General	26/64	Feb. 15/64
Assessment Act			
Grants for Assessment Commissioners	84/63	April 27/63
<i>amended</i>	313/63	Nov. 30/63
Payments to Mining Municipalities	31
<i>amended</i>	130/61	July 3/61
<i>amended</i>	248/61	July 22/61
<i>amended</i>	331/61	Oct. 28/61
<i>amended</i>	50/62	Mar. 3/62
<i>amended</i>	63/62	Mar. 24/62
<i>amended</i>	3/63	Jan. 19/63
<i>amended</i>	11/63	Feb. 2/63
Athletics Control Act			
Amount of Tax	32
General	33
<i>amended</i>	317/61	Oct. 14/61
B			
Balliffs Act, 1960-61			
General	323/61	Oct. 14/61
Barristers Act			
Fee for Appointment as Queen's Counsel	35
Beach Protection Act			
General	36

	Regulation No.		Date of Gazette
	R.R.O. 1960	O. Reg.	
Bees Act			
General.....	37
Blind Persons' Allowances Act			
General.....	38
Boilers and Pressure Vessels Act, 1962-63			
General.....	39
<i>amended</i>	131/61	July 3/61
<i>amended</i>	135/64	June 27/64
Boundaries Act			
General.....	...	111/62	May 26/62
Brucellosis Act			
General.....	41
<i>amended</i>	149/63	June 22/63
<i>amended</i>	275/63	Nov. 2/63
<i>amended</i>	12/64	Jan. 25/64
G			
Cemeteries Act			
Closings and Removals.....	42
<i>amended</i>	277/61	Aug. 26/61
<i>amended</i>	332/61	Oct. 28/61
<i>amended</i>	354/61	Nov. 18/61
<i>amended</i>	372/61	Dec. 16/61
<i>amended</i>	192/62	Aug. 11/62
<i>amended</i>	226/62	Sept. 29/62
<i>amended</i>	308/62	Dec. 1/62
<i>amended</i>	6/63	Jan. 26/63
<i>amended</i>	48/63	Mar. 9/63
<i>amended</i>	198/63	July 27/63
<i>amended</i>	85/64	May 2/64
<i>amended</i>	191/64	Aug. 8/64
<i>amended</i>	230/64	Sept. 12/64
General.....	43
<i>amended</i>	288/62	Nov. 10/62
Perpetual Care Funds.....	44
<i>amended</i>	367/61	Dec. 9/61
<i>amended</i>	120/62	June 2/62
<i>amended</i>	198/62	Aug. 18/62
<i>amended</i>	46/63	Mar. 9/63
Certification of Titles Act			
Certification Areas.....	45
<i>amended</i>	132/61	July 3/61
<i>amended</i>	335/62	Dec. 22/62
Fees.....	...	133/61	July 3/61
Procedure and Survey Code.....	47
<i>amended</i>	112/62	May 26/62
Change of Name Act			
Fees and Forms.....	48
Charitable Institutions Act, 1962-63			
General.....	...	297/64	Nov. 14/64

	Regulation No.		Date of Gazette
	R.R.O. 1960	O. Reg.	
Child Welfare Act			
General.....	50
<i>amended</i>	246/62	Oct. 13/62
Children's Boarding Homes Act			
General.....	51
Children's Institutions Act, 1962-63			
General.....	...	279/63	Nov. 2/63
<i>amended</i>	186/64	Aug. 1/64
Children's Mental Hospitals Act			
General.....	52
Chiropody Act			
General.....	53
Collection Agencies Act			
General.....	54
Commissioners for Taking Affidavits Act			
Fees.....	55
Community Centres Act			
Grants.....	...	307/61	Oct. 7/61
Community Psychiatric Hospitals Act, 1960-61			
General.....	...	252/61	July 29/61
Grants.....	...	149/62	June 30/62
<i>amended</i>	306/63	Nov. 30/63
Confederation Centennial Act, 1962-63			
Grants.....	...	322/63	Dec. 7/63
<i>amended</i>	293/64	Nov. 14/64
Conservation Authorities Act			
Conservation Areas			
Big Creek Region.....	...	255/62	Oct. 20/62
<i>amended</i>	115/64	June 6/64
Credit Valley.....	...	91/63	April 27/63
Grand Valley.....	...	338/62	Dec. 29/62
Metropolitan Toronto and Region.....	...	166/62	July 14/62
Fill			
Ausable River.....	...	135/61	July 3/61
Grand Valley.....	...	80/62	April 14/62
Junction Creek.....	...	62/63	Mar. 23/63
Lower Thames Valley.....	...	69/62	Mar. 31/62
Mattagami Valley.....	...	294/62	Nov. 17/62
<i>amended</i>	78/63	April 13/63
Moir River.....	...	339/62	Dec. 29/62
Otonabee Region.....	...	138/61	July 3/61
Sixteen-Mile Creek.....	...	323/62	Dec. 15/62
Spencer Creek.....	...	313/61	Oct. 7/61
Sydenham Valley.....	...	313/62	Dec. 8/62
Fill and Construction.....	...	253/64	Oct. 10/64
Fill and Construction.....	...	322/64	Dec. 19/64

	Regulation No.		Date of Gazette
	R.R.O. 1960	O. Reg.	
Construction Hoists Act, 1960-61			
General.....	...	311/62	Dec. 1/62
Construction Safety Act, 1961-62			
General.....	...	170/62	July 14/62
Controverted Elections Act			
Procedure.....	56
Co-operative Loans Act			
General.....	57
Coroners Act			
Forms.....	58
Corporation Securities Registration Act			
Fees.....	59
Corporations Act			
Evidence of <i>Bona Fides</i> on Applications.....	60
<i>amended</i>	96/63	May 4/63
<i>amended</i>	342/64	Jan. 16/65
General.....	61
<i>amended</i>	273/61	Aug. 19/61
<i>amended</i>	103/62	May 19/62
<i>amended</i>	203/62	Aug. 25/62
<i>amended</i>	296/62	Nov. 17/62
Corporations Information Act			
Content of Annual Return.....	...	28/62	Feb. 17/62
<i>amended</i>	69/63	Mar. 30/63
<i>amended</i>	31/64	Feb. 15/64
General.....	62
Corporations Tax Act			
General.....	63
<i>amended</i>	231/61	July 3/61
Costs of Distress Act			
Costs.....	...	384/61	Dec. 23/61
County Judges Act			
Court Districts.....	65
<i>amended</i>	327/63	Dec. 14/63
Shorthand Writers.....	66
Credit Unions Act			
Incorporation.....	67
Crown Attorneys Act			
Fees.....	68
Crown Timber Act			
General.....	69
<i>amended</i>	333/63	Dec. 21/63
<i>amended</i>	117/64	June 6/64

	Regulation No.		Date of Gazette
	R.R.O. 1960	O. Reg.	
Custody of Documents Act			
Fees.....	...	50/64	Mar. 7/64
D			
Day Nurseries Act			
General.....	70
<i>amended</i>	141/61	July 3/61
<i>amended</i>	152/62	June 30/62
Dead Animal Disposal Act			
General.....	71
<i>amended</i>	145/62	June 23/62
Dental Technicians Act			
General.....	...	283/63	Nov. 2/63
Dentistry Act			
Approved Dental Hygiene Courses—University of Toronto.....	73
Dental Hygienists.....	74
Registration Fee.....	75
Department of Agriculture Act			
Advisory Board.....	76
Advisory Committee for Macdonald Institute.....	77
Extension of Duties of Minister.....	78
Department of Education Act			
Auxiliary—Education Services.....	...	123/64	June 13/64
Diplomas—Elementary and Secondary Schools.....	...	142/61	July 3/61
<i>amended</i>	122/64	June 13/64
Elementary Schools			
General.....	81
<i>amended</i>	29/63	Feb. 16/63
Inspectors' Certificates.....	82
<i>amended</i>	209/62	Sept. 1/62
General Legislative Grants.....	...	16/64	Feb. 1/64
<i>amended</i>	248/64	Oct. 3/64
Grade 12 Departmental Examinations.....	...	235/63	Sept. 14/63
<i>amended</i>	330/64	Dec. 26/64
Grade 13 Departmental Examinations.....	85
<i>amended</i>	144/61	July 3/61
<i>amended</i>	10/62	Jan. 20/62
<i>amended</i>	34/62	Feb. 17/62
<i>amended</i>	52/63	Mar. 9/63
<i>amended</i>	113/64	May 30/64
<i>amended</i>	329/64	Dec. 26/64
Grants for Non-Profit Camps.....	...	175/64	July 18/64
Industrial Schools Staff.....	87
Interim Teaching Certificates.....	88
<i>amended</i>	145/61	July 3/61
<i>amended</i>	141/62	June 23/62
<i>amended</i>	282/62	Nov. 3/62
<i>amended</i>	121/64	June 13/64

	Regulation No.		Date of Gazette
	R.R.O. 1960	O. Reg.	
Department of Education Act—Continued			
Municipal Recreation Directors' Certificates.....	89
Ontario School for the Blind and Ontario School for the Deaf.....	...	28/63	Feb. 16/63
Permanent Teaching Certificates.....	91
<i>amended</i>	146/61	July 3/61
<i>amended</i>	140/62	June 23/62
Programmes of Recreation.....	92
<i>amended</i>	67/62	Mar. 24/62
Provincial Institute of Mining.....	93
Provincial Institute of Trades.....	94
Purchase of Milk.....	96
Reimbursement for Cost of Education in Territorial Districts or Crown Lands.....	...	280/63	Nov. 2/63
Residential and Farm School Tax Assistance Grant...	104/64	May 16/64
Scholarships for Study Outside Ontario.....	99
<i>amended</i>	34/64	Feb. 22/64
School Attendance.....	100
Schools for Retarded Children.....	...	302/64	Nov. 21/64
Secondary Schools			
General.....	98
<i>amended</i>	136/62	June 23/62
Special Certificates.....	101
<i>amended</i>	263/61	Aug. 5/61
<i>amended</i>	143/62	June 23/62
<i>amended</i>	172/63	July 13/63
Student Aid.....	102
<i>amended</i>	147/61	July 3/61
<i>amended</i>	138/62	June 23/62
<i>amended</i>	210/62	Sept. 1/62
<i>amended</i>	79/63	April 13/63
Supervisory Officers.....	103
Teachers' Colleges.....	104
<i>amended</i>	148/61	July 3/61
Teachers' Contracts.....	105
<i>amended</i>	30/63	Feb. 16/63
Text-books.....	...	137/62	June 23/62
<i>amended</i>	227/63	Aug. 31/63
University of Ottawa Teachers' College.....	107
<i>amended</i>	283/62	Nov. 3/62
Department of Labour Act			
Labour Safety Council.....	...	3/62	Jan. 13/62
Proceedings of the Board.....	108
<i>amended</i>	198/64	Aug. 15/64
Underground Work.....	...	100/63	May 4/63
<i>amended</i>	121/63	June 8/63
Department of Municipal Affairs Act			
Tax Arrears and Tax Sales Procedures.....	111
<i>amended</i>	149/61	July 3/61
<i>amended</i>	53/62	Mar. 10/62
<i>amended</i>	201/62	Aug. 18/62
<i>amended</i>	64/63	Mar. 23/63
<i>amended</i>	314/63	Nov. 30/63

	Regulation No.		Date of Gazette
	R.R.O. 1960	O. Reg.	
Department of Municipal Affairs Act—Continued			
Tax Arrears Procedures and Tax Sales Procedures			
Towns of Bradford and Alliston.....	...	133/64	June 20/64
Township of Thurlow.....	...	245/64	Oct. 3/64
Village of Frankford.....	...	318/64	Dec. 12/64
Department of Tourism and Information Act			
Advertising Tourist Accommodation.....	112
Grants for Museums.....	...	293/61	Sept. 9/61
<i>amended</i>	55/62	Mar. 10/62
<i>amended</i>	205/63	Aug. 10/63
Grants for Regional Tourist Organizations.....	...	150/61	July 3/61
<i>amended</i>	65/64	Mar. 28/64
Deposits Regulation Act, 1962-63			
General.....	...	197/63	July 27/63
Disabled Persons' Allowances Act			
General.....	114
<i>amended</i>	151/61	July 3/61
District Welfare Administration Boards Act, 1962-63			
Application for Grant under Section 7 of the Act.....	...	168/64	July 11/64
Division Courts Act			
Courts.....	115
<i>amended</i>	152/61	July 3/61
<i>amended</i>	329/61	Oct. 21/61
<i>amended</i>	70/62	Mar. 31/62
<i>amended</i>	161/63	June 29/63
<i>amended</i>	321/63	Dec. 7/63
<i>amended</i>	1/64	Jan. 11/64
<i>amended</i>	90/64	May 9/64
Rules of Procedure.....	116
Tariff of Fees.....	117
Dog Tax and Cattle, Sheep and Poultry Protection Act			
Dogs at Large in Unorganized Areas.....	118
<i>amended</i>	44/62	Feb. 24/62
Drugless Practitioners Act			
Chiropractors.....	119
<i>amended</i>	336/61	Oct. 28/61
Classifications.....	120
<i>amended</i>	373/61	Dec. 16/61
General.....	121
Masseurs.....	122
<i>amended</i>	49/63	Mar. 9/63
Osteopaths.....	123
Physiotherapists.....	...	377/61	Dec. 23/61
E.			
Economic Development Loans Guarantee Act, 1962-63			
Financial Advisory Committee.....	...	75/64	April 18/64
General.....	...	103/63	May 11/63
<i>amended</i>	112/63	May 18/63
<i>amended</i>	74/64	April 18/64

	Regulation No.		Date of Gazette
	R.R.O. 1960	O. Reg.	
Edible Oil Products Act			
General	125
Elderly Persons' Housing Aid Act			
Grants	126
Elderly Persons' Social and Recreational Centres Act, 1961-62			
General	130/63	June 15/63
Election Act			
Fees and Expenses	127
<i>amended</i>	204/63	Aug. 3/63
Elevators and Lifts Act			
General	128
Embalmers and Funeral Directors Act			
General	129
<i>amended</i>	153/61	July 3/61
<i>amended</i>	247/62	Oct. 13/62
<i>amended</i>	71/63	April 6/63
Employment Agencies Act			
General	154/61	July 3/61
<i>amended</i>	318/61	Oct. 14/61
<i>amended</i>	240/62	Oct. 6/62
<i>amended</i>	264/62	Oct. 20/62
Energy Act, 1964			
Exploration, Drilling and Production	326/64	Dec. 26/64
Fuel Oil Code	335/64	Jan. 2/65
Liquefield Petroleum Gas Code	336/64	Jan. 2/65
Natural and Manufactured Gas Code	333/64	Jan. 2/65
Spacing Units			
Avonry Pool, Township of Sombra	303/63	Nov. 16/63
Clearville	82/62	April 14/62
Colchester South	130
Dawn and Sombra (Townships of)	139/63	June 15/63
Gobles	155/61	July 3/61
Gosfield South (Township of)	311/64	Nov. 28/64
Malden Township	328/61	Oct. 21/61
Moore (Township of)	57/64	Mar. 14/64
<i>amended</i>	331/64	Dec. 26/64
Transmission and Distribution	325/64	Dec. 26/64
Transmission and Distribution Pipe Line Code	334/64	Jan. 2/65
Escheats Act			
Fees	133
F			
Farm Products Containers Act			
Fruit and Vegetables	137
<i>amended</i>	159/61	July 3/61

	Regulation No.		Date of Gazette
	R.R.O. 1960	O. Reg.	
Farm Products Grades and Sales Act			
Apples			
Cold Storage.....	138
<i>amended</i>	325/62	Dec. 15/62
Dairy Products.....	139
<i>amended</i>	216/63	Aug. 31/63
Flue-Cured Tobacco.....	140
<i>amended</i>	284/61	Aug. 26/61
<i>amended</i>	302/62	Nov. 24/62
<i>amended</i>	318/62	Dec. 15/62
<i>amended</i>	36/64	Feb. 22/64
<i>amended</i>	55/64	Mar. 14/64
<i>amended</i>	289/64	Oct. 31/64
Fruit and Vegetables			
Grades.....	141
<i>amended</i>	160/61	July 3/61
<i>amended</i>	261/61	Aug. 5/61
<i>amended</i>	184/62	Aug. 4/62
<i>amended</i>	213/62	Sept. 8/62
<i>amended</i>	215/63	Aug. 31/63
<i>amended</i>	69/64	April 11/64
Inspection.....	142
<i>amended</i>	168/63	July 6/63
Licences.....	143
Grades for Beef and Veal.....	...	67/63	Mar. 23/63
Honey.....	144
Poultry.....	145
Farm Products Marketing Act			
Apples			
Marketing.....	...	189/64	Aug. 1/64
Marketing.....	...	211/64	Aug. 22/64
Arbitration of Disputes.....	146
Asparagus			
Marketing.....	147
<i>amended</i>	161/61	July 3/61
<i>amended</i>	108/62	May 19/62
<i>amended</i>	81/63	April 20/63
<i>amended</i>	236/63	Sept. 14/63
Plan.....	148
<i>amended</i>	109/62	May 19/62
<i>amended</i>	223/63	Aug. 31/63
<i>amended</i>	295/63	Nov. 16/63
<i>amended</i>	54/64	Mar. 14/64
Beans			
Marketing.....	149
<i>amended</i>	162/61	July 3/61
<i>amended</i>	219/62	Sept. 8/62
<i>amended</i>	237/63	Sept. 14/63
<i>amended</i>	212/64	Aug. 22/64
Plan.....	150
<i>amended</i>	218/63	Aug. 31/63
Berries for Processing			
Marketing.....	151
Plan.....	152

	Regulation No.		Date of Gazette
	R.R.O. 1960	O. Reg.	
Farm Products Marketing Act—Continued			
By-laws for Local Boards.....	153
Celery			
Marketing.....	154
Plan.....	155
Eggs and Fowl			
Marketing.....	...	193/64	Aug. 8/64
Plan.....	...	188/64	Aug. 1/64
Fresh Peaches			
Marketing.....	156
<i>amended</i>	238/63	Sept. 14/63
Plan.....	157
<i>amended</i>	217/63	Aug. 31/63
Fresh Vegetables			
Marketing.....	158
Plan.....	159
Grapes for Processing			
Marketing.....	160
<i>amended</i>	163/61	July 3/61
<i>amended</i>	216/62	Sept. 8/62
<i>amended</i>	239/63	Sept. 14/63
<i>amended</i>	213/64	Aug. 22/64
Plan.....	161
<i>amended</i>	164/61	July 3/61
<i>amended</i>	220/63	Aug. 31/63
Hogs			
Dissolution of Marketing Agency.....	...	351/61	Nov. 18/61
Marketing.....	162
<i>amended</i>	350/61	Nov. 18/61
<i>amended</i>	217/62	Sept. 8/62
<i>amended</i>	329/62	Dec. 22/62
<i>amended</i>	116/63	June 1/63
<i>amended</i>	352/63	Jan. 4/64
Plan.....	163
<i>amended</i>	349/61	Nov. 18/61
<i>amended</i>	351/63	Jan. 4/64
<i>amended</i>	345/64	Jan. 16/65
Local Boards.....	164
Onions			
Plan.....	...	333/61	Oct. 28/61
<i>amended</i>	365/61	Dec. 9/61
Seed-Corn			
Marketing.....	165
<i>amended</i>	166/61	July 3/61
<i>amended</i>	106/62	May 19/62
<i>amended</i>	342/63	Dec. 28/63
Plan.....	166
<i>amended</i>	107/62	May 19/62
<i>amended</i>	341/63	Dec. 28/63
Soya-Beans			
Marketing.....	167
<i>amended</i>	170/64	July 11/64
Plan.....	168
<i>amended</i>	167/61	July 3/61
Sugar-Beets			
Marketing.....	169
Plan.....	170

	Regulation No.		Date of Gazette
	R.R.O. 1960	O. Reg.	
Farm Products Marketing Act—Continued			
Tender Fruit for Processing			
Marketing.....	171
<i>amended</i>	168/61	July 3/61
<i>amended</i>	254/61	July 29/61
<i>amended</i>	240/63	Sept. 14/63
Plan.....	172
<i>amended</i>	219/63	Aug. 31/63
Tobacco			
Marketing.....	173
<i>amended</i>	107/63	May 11/63
<i>amended</i>	108/63	May 11/63
<i>amended</i>	53/64	Mar. 14/64
<i>amended</i>	223/64	Sept. 5/64
Plan.....	174
<i>amended</i>	346/61	Nov. 11/61
<i>amended</i>	102/63	May 11/63
<i>amended</i>	87/64	May 2/64
Vegetables for Processing			
Marketing.....	175
<i>amended</i>	241/63	Sept. 14/63
<i>amended</i>	44/64	Mar. 7/64
Plan.....	176
<i>amended</i>	222/63	Aug. 31/63
<i>amended</i>	340/63	Dec. 28/63
Wheat			
Marketing.....	177
<i>amended</i>	242/63	Sept. 14/63
Plan.....	178
<i>amended</i>	221/63	Aug. 31/63
<i>amended</i>	270/63	Oct. 26/63
Farm Products Marketing Amendment Act, 1955			
Continuation of Schemes.....	179
Financial Administration Act			
Permit for Living Accommodation.....	...	14/64	Feb. 1/64
Fire Departments Act			
Standards for Pumpers.....	182
Fire Marshals Act			
General.....	183
<i>amended</i>	32/62	Feb. 17/62
Forest Fires Prevention Act			
Fire Districts.....	184
<i>amended</i>	169/61	July 3/61
<i>amended</i>	104/63	May 11/63
<i>amended</i>	76/64	April 25/64
<i>amended</i>	142/64	June 27/64
Fire Season.....	...	290/63	Nov. 9/63
Forestry Act			
Nurseries.....	185

	Regulation No.		Date of Gazette
	R.R.O. 1960	O. Reg.	
G			
Game and Fish Act, 1961-62			
Buffalo.....	...	319/63	Dec. 7/63
Crown Game Preserves.....	188
<i>amended</i>	305/61	Oct. 7/61
<i>amended</i>	25/62	Feb. 3/62
Fire-Arms.....	...	184/64	July 25/64
Fishing Huts.....	...	164/63	June 29/63
Fishing Licences.....	189
<i>amended</i>	66/63	Mar. 23/63
<i>amended</i>	82/63	April 20/63
Fur Royalties.....	...	124/63	June 8/63
Furs.....	...	343/64	Jan. 16/65
Guides.....	...	123/63	June 8/63
<i>amended</i>	250/63	Sept. 28/63
<i>amended</i>	3/64	Jan. 18/64
Hunter Safety Training Courses.....	...	94/64	May 16/64
Hunting by Aircraft.....	...	153/63	June 29/63
<i>amended</i>	266/63	Oct. 26/63
<i>amended</i>	260/64	Oct. 17/64
Hunting in Lake Superior Provincial Park.....	...	254/62	Oct. 20/62
Hunting in Provincial Parks.....	...	286/63	Nov. 2/63
<i>amended</i>	251/64	Oct. 10/64
<i>amended</i>	281/64	Oct. 24/64
<i>amended</i>	328/64	Dec. 26/64
Hunting Licences—Issuance.....	...	229/63	Aug. 31/63
Hunting on Crown Lands			
Geographic Townships of Bruton and Clyde.....	...	284/63	Nov. 2/63
Township of South Walsingham.....	...	285/63	Nov. 2/63
Township of Tosorontio.....	...	310/63	Nov. 30/63
<i>amended</i>	250/64	Oct. 10/64
Open Seasons			
Deer, Moose and Black Bear.....	...	189/63	July 20/63
<i>amended</i>	246/63	Sept. 14/63
<i>amended</i>	298/63	Nov. 16/63
<i>amended</i>	299/63	Nov. 16/63
<i>amended</i>	46/64	Mar. 7/64
<i>amended</i>	206/64	Aug. 15/64
<i>amended</i>	290/64	Oct. 31/64
Fur-Bearing Animals.....	...	152/64	July 4/64
<i>amended</i>	192/64	Aug. 8/64
Game Birds.....	...	177/64	July 25/64
<i>amended</i>	286/64	Oct. 31/64
Rabbit and Squirrel.....	...	153/64	July 4/64
Pheasant Hunting Preserves.....	199
Pheasant Propagation and Sale.....	200
Sale of Bass and Trout.....	...	163/63	June 29/63
Snares.....	...	247/63	Sept. 14/63
Trap-Line Areas.....	202
Waters Set Apart.....	...	226/63	Aug. 31/63
<i>amended</i>	292/64	Nov. 7/64
Waters Set Apart for Periods.....	...	82/64	May 2/64
<i>amended</i>	93/64	May 9/64
<i>amended</i>	107/64	May 23/64
<i>amended</i>	174/64	July 18/64

	Regulation No.		Date of Gazette
	R.R.O. 1960	O. Reg.	
Gasoline Handling Act			
General	205
<i>amended</i>	237/62	Oct. 6/62
<i>amended</i>	263/64	Oct. 17/64
<i>amended</i>	341/64	Jan. 9/65
Gasoline Tax Act			
General	206
<i>amended</i>	124/62	June 9/62
<i>amended</i>	174/62	July 21/62
<i>amended</i>	109/63	May 18/63
<i>amended</i>	150/64	July 4/64
General Welfare Assistance Act			
Dependent Fathers	22/63	Feb. 16/63
<i>amended</i>	154/64	July 4/64
<i>amended</i>	243/64	Oct. 3/64
General	207
<i>amended</i>	172/61	July 3/61
<i>amended</i>	362/61	Dec. 2/61
<i>amended</i>	78/62	April 14/62
<i>amended</i>	175/62	July 21/62
<i>amended</i>	144/63	June 22/63
<i>amended</i>	35/64	Feb. 22/64
<i>amended</i>	232/64	Sept. 19/64
<i>amended</i>	338/64	Jan. 9/65
Indian Bands	208
<i>amended</i>	173/61	July 3/61
<i>amended</i>	119/63	June 8/63
Widows and Unmarried Women	111/63	May 18/63
<i>amended</i>	337/63	Dec. 28/63
Grain Elevator Storage Act			
General	209
Guarantee Companies Securities Act			
Approved Guarantee Companies	301/61	Sept. 30/61
<i>amended</i>	100/62	May 12/62
<i>amended</i>	275/62	Nov. 3/62
<i>amended</i>	326/62	Dec. 15/62
<i>amended</i>	4/63	Jan. 19/63
<i>amended</i>	171/63	July 6/63
<i>amended</i>	134/64	June 20/64
<i>amended</i>	190/64	Aug. 1/64
H			
Highway Improvement Act			
Designations			
Miscellaneous Northern Ontario	212
<i>amended</i>	359/61	Dec. 2/61
<i>amended</i>	17/62	Feb. 3/62
<i>amended</i>	38/62	Feb. 24/62
<i>amended</i>	266/62	Oct. 27/62
<i>amended</i>	235/64	Sept. 19/64

	Regulation No.		Date of Gazette
	R.R.O. 1960	O. Reg.	
Highway Improvement Act—Continued			
<i>Designations—Continued</i>			
Miscellaneous Southern Ontario.....	213
<i>amended</i>	175/61	July 3/61
<i>amended</i>	342/61	Oct. 28/61
<i>amended</i>	13/62	Jan. 27/62
<i>amended</i>	180/62	July 28/62
<i>amended</i>	248/62	Oct. 13/62
<i>amended</i>	307/62	Dec. 1/62
<i>amended</i>	314/62	Dec. 8/62
<i>amended</i>	54/63	Mar. 16/63
<i>amended</i>	174/63	July 13/63
<i>amended</i>	259/63	Oct. 12/63
<i>amended</i>	331/63	Dec. 21/63
<i>amended</i>	173/64	July 18/64
<i>amended</i>	195/64	Aug. 8/64
<i>amended</i>	217/64	Aug. 29/64
<i>amended</i>	241/64	Oct. 3/64
<i>amended</i>	287/64	Oct. 31/64
Queen Elizabeth Way.....	214
<i>amended</i>	357/61	Dec. 2/61
<i>amended</i>	150/62	June 30/62
<i>amended</i>	1/63	Jan. 12/63
<i>amended</i>	43/63	Mar. 9/63
<i>amended</i>	53/63	Mar. 16/63
<i>amended</i>	300/63	Nov. 16/63
Toronto to North Bay.....	215
<i>amended</i>	176/61	July 3/61
Toronto to Quebec Boundary (Hwy. 401).....	216
<i>amended</i>	177/61	July 3/61
<i>amended</i>	178/62	July 28/62
<i>amended</i>	120/63	June 8/63
Toronto to Windsor (Hwy. 401).....	217
<i>amended</i>	178/61	July 3/61
<i>amended</i>	358/61	Dec. 2/61
<i>amended</i>	12/62	Jan. 27/62
<i>amended</i>	16/63	Feb. 9/63
<i>amended</i>	194/63	July 27/63
<i>amended</i>	7/64	Jan. 25/64
Toronto to Woodstock (Hwy. 403).....	...	286/62	Nov. 10/62
<i>amended</i>	212/63	Aug. 24/63
<i>amended</i>	155/64	July 4/64
Trans-Canada Highway			
Orillia to Manitoba Boundary.....	218
<i>amended</i>	259/61	Aug. 5/61
<i>amended</i>	361/61	Dec. 2/61
<i>amended</i>	41/62	Feb. 24/62
<i>amended</i>	306/62	Dec. 1/62
Orillia to Quebec Boundary.....	219
<i>amended</i>	180/61	July 3/61
<i>amended</i>	360/61	Dec. 2/61
<i>amended</i>	386/61	Jan. 6/62
<i>amended</i>	151/62	June 30/62
<i>amended</i>	181/62	July 28/62
<i>amended</i>	113/63	May 25/63
<i>amended</i>	175/63	July 13/63

	Regulation No.		Date of Gazette
	R.R.O. 1960	O. Reg.	
Highway Improvement Act—Continued			
Designations—Continued			
Trans-Canada Highway—Continued			
Orillia to Quebec Boundary—Continued			
<i>amended</i>	194/64	Aug. 8/64
<i>amended</i>	320/64	Dec. 12/64
Intersections in Unorganized Territory.....	...	249/62	Oct. 13/62
Permits.....	220
Highway Traffic Act			
Bicycles.....	...	179/63	July 13/63
Dangerous Loads.....	...	181/61	July 3/61
Demerit Point System.....	...	129/62	June 16/62
<i>amended</i>	339/63	Dec. 28/63
<i>amended</i>	176/64	July 18/64
Designation of Highways.....	222
Driving Instructor's Licence.....	223
Equipment.....	224
<i>amended</i>	66/64	Mar. 28/64
Extension of Time for Licences.....	...	307/64	Nov. 28/64
Garage and Storage Licence.....	226
General.....	227
<i>amended</i>	182/61	July 3/61
<i>amended</i>	317/62	Dec. 15/62
<i>amended</i>	322/62	Dec. 15/62
<i>amended</i>	35/63	Feb. 23/63
<i>amended</i>	76/63	April 13/63
<i>amended</i>	183/63	July 13/63
<i>amended</i>	294/63	Nov. 16/63
<i>amended</i>	311/63	Nov. 30/63
<i>amended</i>	21/64	Feb. 8/64
<i>amended</i>	40/64	Feb. 29/64
<i>amended</i>	228/64	Sept. 12/64
<i>amended</i>	300/64	Nov. 14/64
<i>amended</i>	327/64	Dec. 26/64
Gross Weight on Bridges.....	...	41/63	Mar. 2/63
<i>amended</i>	264/63	Oct. 19/63
Load Limits.....	...	11/64	Jan. 25/64
Parking.....	229
<i>amended</i>	114/64	May 30/64
<i>amended</i>	116/64	June 6/64
<i>amended</i>	285/64	Oct. 31/64
<i>amended</i>	310/64	Nov. 28/64
Reciprocal Suspension of Licences.....	230
School Buses.....	...	183/61	July 3/61
<i>amended</i>	119/62	June 2/62
Signs.....	231
<i>amended</i>	303/61	Sept. 30/61
<i>amended</i>	29/62	Feb. 17/62
<i>amended</i>	325/63	Dec. 14/63
<i>amended</i>	140/64	June 27/64
<i>amended</i>	316/64	Dec. 12/64
Speed Limits.....	232
<i>amended</i>	184/61	July 3/61
<i>amended</i>	310/61	Oct. 7/61

	Regulation No.		Date of Gazette
	R.R.O. 1960	O. Reg.	
Highway Traffic Act—Continued			
Speed Limits—Continued			
<i>amended</i>		330/61	Oct. 21/61
<i>amended</i>		348/61	Nov. 18/61
<i>amended</i>		356/61	Nov. 25/61
<i>amended</i>		371/61	Dec. 16/61
<i>amended</i>		15/62	Jan. 27/62
<i>amended</i>		52/62	Mar. 3/62
<i>amended</i>		118/62	June 2/62
<i>amended</i>		128/62	June 9/62
<i>amended</i>		158/62	June 30/62
<i>amended</i>		164/62	July 14/62
<i>amended</i>		172/62	July 14/62
<i>amended</i>		183/62	July 28/62
<i>amended</i>		197/62	Aug. 18/62
<i>amended</i>		205/62	Aug. 25/62
<i>amended</i>		231/62	Sept. 29/62
<i>amended</i>		262/62	Oct. 20/62
<i>amended</i>		273/62	Oct. 27/62
<i>amended</i>		284/62	Nov. 3/62
<i>amended</i>		303/62	Nov. 24/62
<i>amended</i>		312/62	Dec. 1/62
<i>amended</i>		324/62	Dec. 15/62
<i>amended</i>		5/63	Jan. 19/63
<i>amended</i>		23/63	Feb. 16/63
<i>amended</i>		34/63	Feb. 23/63
<i>amended</i>		72/63	April 6/63
<i>amended</i>		75/63	April 13/63
<i>amended</i>		89/63	April 27/63
<i>amended</i>		114/63	May 25/63
<i>amended</i>		122/63	June 8/63
<i>amended</i>		178/63	July 13/63
<i>amended</i>		207/63	Aug. 10/63
<i>amended</i>		228/63	Aug. 31/63
<i>amended</i>		256/63	Oct. 5/63
<i>amended</i>		265/63	Oct. 19/63
<i>amended</i>		292/63	Nov. 16/63
<i>amended</i>		336/63	Dec. 28/63
<i>amended</i>		338/63	Dec. 28/63
<i>amended</i>		18/64	Feb. 1/64
<i>amended</i>		38/64	Feb. 22/64
<i>amended</i>		60/64	Mar. 14/64
<i>amended</i>		81/64	April 25/64
<i>amended</i>		88/64	May 2/64
<i>amended</i>		163/64	July 11/64
<i>amended</i>		166/64	July 11/64
<i>amended</i>		216/64	Aug. 29/64
<i>amended</i>		227/64	Sept. 12/64
<i>amended</i>		236/64	Sept. 26/64
<i>amended</i>		284/64	Oct. 31/64
Speed Limits in Provincial Parks	233
Speed Limits on Bridges	234
Stop Signs at Intersections		117/62	June 2/62
<i>amended</i>		90/63	April 27/63
<i>amended</i>		182/63	July 13/63
<i>amended</i>		208/63	Aug. 10/63

	Regulation No.		Date of Gazette
	R.R.O. 1960	O. Reg.	
Highway Traffic Act—Continued			
Stop Signs at Intersections—Continued			
<i>amended</i>	41/64	Feb. 29/64
<i>amended</i>	106/64	May 23/64
<i>amended</i>	138/64	June 27/64
Homemakers and Nurses Services Act			
General.....	236
<i>amended</i>	44/63	Mar. 9/63
Homes for Retarded Children Act, 1962-63			
General.....	...	277/63	Nov. 2/63
Homes for Special Care Act, 1964			
General.....	...	261/64	Oct. 17/64
Homes for the Aged Act			
General.....	237
<i>amended</i>	185/61	July 3/61
<i>amended</i>	325/61	Oct. 21/61
<i>amended</i>	25/63	Feb. 16/63
<i>amended</i>	231/63	Aug. 31/63
<i>amended</i>	219/64	Sept. 5/64
Hospital Services Commission Act			
General.....	238
<i>amended</i>	186/61	July 3/61
<i>amended</i>	275/61	Aug. 19/61
<i>amended</i>	26/62	Feb. 10/62
<i>amended</i>	93/62	May 5/62
<i>amended</i>	144/62	June 23/62
<i>amended</i>	199/62	Aug. 18/62
<i>amended</i>	224/62	Sept. 15/62
<i>amended</i>	297/62	Nov. 17/62
<i>amended</i>	20/63	Feb. 9/63
<i>amended</i>	55/63	Mar. 16/63
<i>amended</i>	105/63	May 11/63
<i>amended</i>	156/63	June 29/63
<i>amended</i>	192/63	July 27/63
<i>amended</i>	213/63	Aug. 24/63
<i>amended</i>	272/63	Oct. 26/63
<i>amended</i>	301/63	Nov. 16/63
<i>amended</i>	6/64	Jan. 25/64
<i>amended</i>	30/64	Feb. 15/64
<i>amended</i>	58/64	Mar. 14/64
<i>amended</i>	71/64	April 18/64
<i>amended</i>	77/64	April 25/64
<i>amended</i>	108/64	May 23/64
<i>amended</i>	137/64	June 27/64
<i>amended</i>	165/64	July 11/64
<i>amended</i>	187/64	Aug. 1/64
<i>amended</i>	202/64	Aug. 15/64
<i>amended</i>	303/64	Nov. 21/64
Nursing Homes for Chronic Care.....	239

	Regulation No.		Date of Gazette
	R.R.O. 1960	O. Reg.	
Hospitals Tax Act			
Exemptions.....	240
<i>amended</i>	151/64	July 4/64
Hours of Work and Vacations with Pay Act			
General.....	241
Hunter Damage Compensation Act, 1962-63			
General.....	...	190/63	July 20/63
Hypnosis Act, 1960-61			
Application of Section 2 of Act.....	...	353/61	Nov. 18/61
I			
Income Tax Act, 1961-62			
Armed Forces.....	...	33/63	Feb. 23/63
General.....	...	77/62	April 14/62
<i>amended</i>	149/64	July 4/64
<i>amended</i>	346/64	Jan. 16/65
Industrial Farms Act			
Management and Discipline.....	537
Industrial Safety Act, 1964			
Foundries.....	...	197/64	Aug. 15/64
General.....	...	196/64	Aug. 15/64
Industrial Standards Act			
Advisory Committees.....	242
<i>amended</i>	187/61	July 3/61
<i>amended</i>	340/61	Oct. 28/61
<i>amended</i>	363/61	Dec. 2/61
<i>amended</i>	2/62	Jan. 13/62
<i>amended</i>	46/62	Mar. 3/62
<i>amended</i>	115/62	May 26/62
<i>amended</i>	196/62	Aug. 18/62
<i>amended</i>	227/62	Sept. 29/62
<i>amended</i>	281/62	Nov. 3/62
<i>amended</i>	60/63	Mar. 23/63
<i>amended</i>	201/63	Aug. 3/63
Designations			
Hard Furniture Industry.....	243
Industries and Zones.....	244
<i>amended</i>	244/61	July 15/61
<i>amended</i>	272/61	Aug. 19/61
<i>amended</i>	297/61	Sept. 23/61
<i>amended</i>	315/61	Oct. 14/61
<i>amended</i>	14/62	Jan. 27/62
<i>amended</i>	21/62	Feb. 3/62
<i>amended</i>	22/62	Feb. 3/62
<i>amended</i>	74/62	April 7/62
<i>amended</i>	97/62	May 12/62
<i>amended</i>	98/62	May 12/62
<i>amended</i>	122/62	June 2/62

	Regulation No.		Date of Gazette
	R.R.O. 1960	O. Reg.	
Industrial Standards Act—Continued			
Designations—Continued			
Industries and Zones—Continued			
<i>amended</i>	189/62	Aug. 4/62
<i>amended</i>	225/62	Sept. 15/62
<i>amended</i>	241/62	Oct. 6/62
<i>amended</i>	95/63	May 4/63
<i>amended</i>	232/63	Aug. 31/63
<i>amended</i>	20/64	Feb. 8/64
<i>amended</i>	171/64	July 18/64
<i>amended</i>	214/64	Aug. 29/64
<i>amended</i>	215/64	Aug. 29/64
<i>amended</i>	225/64	Sept. 12/64
<i>amended</i>	238/64	Sept. 26/64
<i>amended</i>	309/64	Nov. 28/64
<i>amended</i>	314/64	Dec. 5/64
Interprovincially Competitive Industries.....	245
<i>amended</i>	316/61	Oct. 14/61
Retail Gasoline Service Industry.....	246
Duties of Employers and Advisory Committees.....	...	199/64	Aug. 15/64
Revocations.....	...	220/64	Sept. 5/64
Schedules			
Barbering Industry			
Ajax.....	...	1/62	Jan. 13/62
Arnprior.....	248
Aurora.....	249
Aylmer.....	250
Barrie.....	251
Beamsville.....	252
Belleville.....	253
Blyth.....	254
Bracebridge.....	255
Brampton.....	256
Brantford.....	...	193/62	Aug. 11/62
Brockville.....	258
Brownsville.....	308
Brussels.....	254
Burlington.....	259
Campbellford.....	260
Cardinal.....	297
Carleton Place.....	261
Chatham.....	262
Clinton (Town of).....	...	188/61	July 3/61
Clinton (Township of).....	252
Cobourg.....	...	47/62	Mar. 3/62
Collingwood.....	265
Cornwall.....	266
Courtland.....	308
Delhi.....	303
Dundas.....	267
Eden.....	308
Elora.....	268
Essex County.....	...	226/64	Sept. 12/64
Fergus.....	268
Forest.....	294

	Regulation No.		Date of Gazette
	R.R.O. 1960	O. Reg.	
Industrial Standards Act—Continued			
Schedules—Continued			
Barbering Industry—Continued			
Fort Frances.....	270
Fort William-Port Arthur.....	271
<i>amended</i>	210/64	Aug. 22/64
Galt.....	...	61/63	Mar. 23/63
Gananoque.....	273
Goderich.....	...	188/61	July 3/61
Gravenhurst.....	255
Grimsby.....	252
Guelph.....	274
Hagersville.....	303
Hamilton.....	...	310/62	Dec. 1/62
Humberstone.....	295
Huntsville.....	255
Iroquois.....	297
Jarvis.....	303
Kapuskasing.....	...	84/64	May 2/64
Keewatin.....	276
Kenora.....	276
Kingston.....	277
Kitchener-Waterloo.....	...	18/63	Feb. 9/63
Lindsay.....	279
London.....	...	189/61	July 3/61
Louth.....	252
Lucknow.....	254
Metropolitan Toronto.....	282
<i>amended</i>	380/61	Dec. 23/61
Midland.....	283
Morrisburg.....	297
Newmarket.....	249
Niagara Falls.....	...	190/61	July 3/61
North Bay.....	285
Oakville.....	286
<i>amended</i>	228/62	Sept. 29/62
Orillia.....	287
Oshawa.....	...	10/63	Feb. 2/63
Ottawa.....	...	341/62	Jan. 5/63
Owen Sound.....	...	191/61	July 3/61
Paris.....	291
Pembroke.....	292
Penetanguishene.....	283
Perth.....	261
Peterborough.....	...	192/61	July 3/61
Petrolia.....	294
Point Edward.....	...	48/62	Mar. 3/62
Port Burwell.....	308
Port Colborne.....	295
Port Dover.....	303
Port Hope.....	...	339/61	Oct. 28/61
Port McNicoll.....	283
Port Rowan.....	303
Prescott.....	297
Renfrew.....	298
St. Catharines.....	...	193/61	July 3/61

	Regulation No.		Date of Gazette
	R.R.O. 1960	O. Reg.	
Industrial Standards Act—Continued			
Schedules—Continued			
Barbering Industry—Continued			
St. Mary's.....	299
St. Thomas.....	300
St. Williams.....	303
Sarnia.....	...	48/62	Mar. 3/62
Sault Ste. Marie.....	302
Schumacher.....	309
Seaforth.....	...	188/61	July 3/61
Simcoe.....	303
Smith's Falls.....	304
South Porcupine.....	309
South Walsingham.....	303
Stoney Creek—Saltfleet.....	...	234/64	Sept. 19/64
Springfield.....	250
Straffordville.....	308
Stratford.....	305
Sudbury.....	306
Teck.....	307
Teeswater.....	254
Tillsonburg.....	308
Timmins.....	309
Trenton.....	310
Victoria Harbour.....	283
Vienna.....	308
Waterford.....	303
Welland.....	...	364/61	Dec. 2/61
Whitby.....	...	195/62	Aug. 18/62
Wingham.....	254
Woodstock.....	313
Bricklaying and Stonemasonry			
Cornwall.....	314
Hamilton.....	...	229/62	Sept. 29/62
Kitchener-Waterloo.....	315
Oshawa.....	316
Ottawa.....	317
Port Arthur-Fort William.....	318
Sarnia.....	319
Toronto.....	...	202/63	Aug. 3/63
<i>amended.</i>	130/64	June 20/64
Whitby.....	316
Windsor.....	320
Carpentry Industry			
Belleville.....	321
Brockville.....	322
Cornwall.....	323
Fort Frances.....	324
Keewatin.....	325
Kenora.....	325
Kingston.....	326
Niagara Falls.....	327
Oshawa.....	328
Ottawa.....	...	62/62	Mar. 24/62
Owen Sound.....	330
St. Catharines.....	331

	Regulation No.		Date of Gazette
	R.R.O. 1960	O. Reg.	
Industrial Standards Act—Continued			
Schedules—Continued			
Carpentry Industry—Continued			
Sudbury.....	332
Whitby.....	328
Windsor.....	333
Common Labourers Construction Industry			
Windsor.....	335
Electrical Repair and Construction Industry			
Belleville.....	336
Chatham.....	337
Cornwall.....	338
London.....	...	194/61	July 3/61
Niagara Falls.....	340
Oshawa.....	341
Ottawa.....	...	265/64	Oct. 24/64
Port Arthur-Fort William.....	343
Sarnia.....	...	195/61	July 3/61
Welland.....	345
Whitby.....	341
Windsor.....	346
Fur Industry			
Ontario.....	...	280/62	Nov. 3/62
<i>amended</i>	169/64	July 11/64
Ladies' Cloak and Suit Industry			
Ontario.....	348
<i>amended</i>	184/63	July 13/63
<i>amended</i>	63/64	Mar. 21/64
Ladies' Dress and Sportswear Industry			
Ontario.....	349
<i>amended</i>	86/62	April 21/62
<i>amended</i>	2/64	Jan. 11/64
Lathing Industry			
Hamilton.....	...	196/61	July 3/61
Ottawa.....	350
Men's and Boys' Clothing Industry			
Ontario.....	351
<i>amended</i>	369/61	Dec. 9/61
<i>amended</i>	62/64	Mar. 21/64
Men's and Boys' Hat and Cap Industry			
Ontario.....	352
Millinery Industry			
Ontario.....	...	204/64	Aug. 15/64
Painting and Decorating Industry			
Brantford.....	354
Cornwall.....	355
Hamilton.....	356
Kingston.....	357
Kitchener-Waterloo.....	...	197/61	July 3/61
London.....	358
Niagara Falls.....	...	169/62	July 14/62
Oshawa.....	360
Ottawa.....	...	309/61	Oct. 7/61
Peterborough.....	362
Port Arthur-Fort William.....	363

	Regulation No.		Date of Gazette
	R.R.O. 1960	O. Reg.	
Industrial Standards Act—Continued			
Schedules—Continued			
Painting and Decorating Industry—Continued			
St. Catharines.....	...	198/61	July 3/61
Sault Ste. Marie.....	364
Toronto.....	365
Whitby.....	360
Windsor.....	366
Plastering Industry			
Brantford.....	367
Hamilton.....	368
Kitchener-Waterloo.....	369
Oshawa.....	370
Ottawa.....	371
Port Arthur-Fort William.....	...	116/62	May 26/62
St. Catharines.....	372
Sarnia.....	...	199/61	July 3/61
Toronto.....	374
Whitby.....	370
Windsor.....	375
Plumbing and Heating Industry			
Belleville.....	376
Kitchener-Waterloo.....	377
London.....	378
Oshawa.....	379
Ottawa.....	...	224/64	Sept. 12/64
Port Arthur-Fort William.....	...	200/61	July 3/61
Welland.....	382
Whitby.....	379
Windsor.....	383
Sheet-Metal-Work Construction Industry			
Belleville.....	388
Ottawa.....	389
Port Arthur-Fort William.....	390
Windsor.....	391
Insurance Act			
Agents' Licences for Insurance other than Life Insurance.....	392
<i>amended</i>	240/61	July 15/61
<i>amended</i>	374/61	Dec. 16/61
<i>amended</i>	23/62	Feb. 3/62
<i>amended</i>	293/62	Nov. 10/62
Extension of Provisions of Act.....	...	181/64	July 25/64
General.....	393
Investment Contracts Act			
Registration.....	394
J			
Jails Act			
Employment Outside Jails.....	395
Maintenance Grants.....	...	63/63	Mar. 23/63

	Regulation No.		Date of Gazette
	R.R.O. 1960	O. Reg.	
Judicature Act			
Rules of Practice.....	396
<i>amended</i>	201/61	July 3/61
<i>amended</i>	162/62	July 7/62
<i>amended</i>	80/63	April 20/63
<i>amended</i>	180/64	July 25/64
Stenographic Reporters.....	397
Junior Farmer Establishment Act			
Application for Bank Loan.....	...	253/63	Sept. 28/63
General.....	398
<i>amended</i>	245/63	Sept. 14/63
<i>amended</i>	37/64	Feb. 22/64
L			
Labour Relations Act			
General.....	399
<i>amended</i>	337/62	Dec. 29/62
Jurisdictional Disputes Commission.....	...	202/61	July 3/61
<i>amended</i>	202/62	Aug. 25/62
Office of the Board.....	400
Rules of Procedure.....	401
<i>amended</i>	368/61	Dec. 9/61
<i>amended</i>	194/62	Aug. 11/62
<i>amended</i>	262/63	Oct. 19/63
<i>amended</i>	246/64	Oct. 3/64
Land Titles Act			
Code of Standards and Procedure for Surveys and Plans.....	...	77/63	April 13/63
Rules.....	403
<i>amended</i>	203/61	July 3/61
<i>amended</i>	329/63	Dec. 14/63
<i>amended</i>	47/64	Mar. 7/64
<i>amended</i>	48/64	Mar. 7/64
<i>amended</i>	160/64	July 4/64
Legislative Assembly Retirement Allowances Act			
Table.....	...	27/62	Feb. 10/62
Lightning Rods Act			
General.....	404
Liquor Control Act			
General.....	405
<i>amended</i>	254/63	Oct. 5/63
<i>amended</i>	32/64	Feb. 15/64
Liquor Licence Act			
Fees on Votes and Licensing Districts.....	406
<i>amended</i>	204/61	July 3/61
General.....	407
<i>amended</i>	270/61	Aug. 12/61
<i>amended</i>	154/62	June 30/62
<i>amended</i>	38/63	Mar. 2/63
Votes.....	408

	Regulation No.		Date of Gazette
	R.R.O. 1960	O. Reg.	
Live Stock and Live Stock Products Act			
Eggs.....	409
Hogs.....	410
Wool.....	411
Live Stock Community Sales Act			
General.....	412
Loan and Trust Corporations Act			
Approved Trust Companies.....	413
<i>amended</i>	88/63	April 27/63
<i>amended</i>	182/64	July 25/64
Common Trust Funds.....	414
Local Roads Board Act, 1964			
General.....	..	315/64	Dec. 5/64
Loggers' Safety Act, 1962-63			
General.....	..	317/64	Dec. 12/64
M			
Magistrates Act			
General.....	415
Mental Hospitals Act			
General.....	416
<i>amended</i>	206/61	July 3/61
<i>amended</i>	68/62	Mar. 31/62
<i>amended</i>	121/62	June 2/62
<i>amended</i>	148/62	June 30/62
<i>amended</i>	37/63	Mar. 2/63
<i>amended</i>	86/63	April 27/63
<i>amended</i>	93/63	April 27/63
<i>amended</i>	191/63	July 27/63
<i>amended</i>	230/63	Aug. 31/63
<i>amended</i>	24/64	Feb. 15/64
<i>amended</i>	295/64	Nov. 14/64
Mental Health Centres.....	..	207/62	Sept. 1/62
Out-Patient Departments.....	417
Residential Units.....	..	387/61	Jan. 6/62
<i>amended</i>	92/63	April 27/63
<i>amended</i>	340/64	Jan. 9/65
Special Units.....	418
Veterans.....	419
Milk Industry Act			
By-laws for Local Boards.....	420
By-laws for the Milk Producers' Co-Ordinating Board.....	421
Cheese			
Marketing.....	422
Plan.....	423
<i>amended</i>	336/62	Dec. 22/62
Collective Bargaining and Licence Fees.....	424
<i>amended</i>	290/61	Sept. 9/61
<i>amended</i>	261/63	Oct. 19/63
<i>amended</i>	25/64	Feb. 15/64

	Regulation No.		Date of Gazette
	R.R.O. 1960	O. Reg.	
Milk Industry Act—Continued			
Concentrated Milk			
Marketing.....	425
<i>amended</i>	33/64	Feb. 22/64
Plan.....	426
<i>amended</i>	43/64	Feb. 29/64
Cream for Processing			
Marketing.....	427
Plan.....	428
Designations			
Markets.....	429
<i>amended</i>	295/61	Sept. 16/61
<i>amended</i>	59/62	Mar. 17/62
Milk Products.....	430
<i>amended</i>	147/63	June 22/63
<i>amended</i>	42/64	Feb. 29/64
Fluid Milk			
Classes and Containers.....	431
<i>amended</i>	51/63	Mar. 9/63
<i>amended</i>	13/64	Jan. 25/64
General.....	432
<i>amended</i>	208/61	July 3/61
<i>amended</i>	296/61	Sept. 16/61
<i>amended</i>	335/61	Oct. 28/61
<i>amended</i>	45/62	Feb. 24/62
<i>amended</i>	267/62	Oct. 27/62
<i>amended</i>	50/63	Mar. 9/63
<i>amended</i>	148/63	June 22/63
<i>amended</i>	343/63	Dec. 28/63
<i>amended</i>	344/64	Jan. 16/65
Price Differential.....	...	81/62	April 14/62
Local Boards.....	433
Milk Products.....	434
<i>amended</i>	209/61	July 3/61
<i>amended</i>	274/63	Nov. 2/63
<i>amended</i>	179/64	July 25/64
Price Formula.....	...	125/64	June 13/64
Minimum Wage Act			
Construction Workers in Northern Ontario Zone.....	...	102/64	May 16/64
Construction Workers in Oshawa, Toronto, Hamilton and Southern Ontario Zone.....	...	134/63	June 15/63
<i>amended</i>	99/64	May 16/64
<i>amended</i>	126/64	June 13/64
Female Workers in Tourist Establishments in Northern Ontario and Southern Ontario Zone—Except Oshawa, Toronto, Hamilton Zone.....	437
<i>amended</i>	136/63	June 15/63
<i>amended</i>	103/64	May 16/64
General in Northern Ontario Zone.....	...	100/64	May 16/64
<i>amended</i>	144/64	June 27/64
<i>amended</i>	256/64	Oct. 10/64
General in Oshawa, Toronto, Hamilton Zone.....	...	133/63	June 15/63
<i>amended</i>	95/64	May 16/64
<i>amended</i>	146/64	June 27/64
<i>amended</i>	258/64	Oct. 10/64

	Regulation No.		Date of Gazette
	R.R.O. 1960	O. Reg.	
Minimum Wage Act—Continued			
General in Southern Ontario Zone		97/64	May 16/64
<i>amended</i>		127/64	June 13/64
<i>amended</i>		145/64	June 27/64
<i>amended</i>		255/64	Oct. 10/64
Hotel and Restaurant Workers in Northern Ontario Zone		101/64	May 16/64
<i>amended</i>		148/64	June 27/64
<i>amended</i>		218/64	Aug. 29/64
Hotel and Restaurant Workers in Oshawa, Toronto, Hamilton Zone		135/63	June 15/63
<i>amended</i>		96/64	May 16/64
<i>amended</i>		147/64	June 27/64
Hotel and Restaurant Workers in Southern Ontario Zone		98/64	May 16/64
<i>amended</i>		128/64	June 13/64
<i>amended</i>		143/64	June 27/64
Suspension of Order		257/64	Oct. 10/64
Taxi Business		254/64	Oct. 10/64
Mining Act			
Boring Permits for Petroleum and Natural Gas	438
Dredging Leases		313/64	Dec. 5/64
Exploratory Licences and Leases for Oil and Natural Gas in Lower Great Lakes	440
<i>amended</i>		125/62	June 9/62
Forms	441
<i>amended</i>		257/63	Oct. 12/63
<i>amended</i>		345/63	Jan. 4/64
<i>amended</i>		291/64	Nov. 7/64
Lands Open for Prospecting, Staking Out or Leasing ..		17/64	Feb. 1/64
Lands Withdrawn from Prospecting	442
<i>amended</i>		200/63	Aug. 3/63
<i>amended</i>		296/63	Nov. 16/63
Mining Divisions	443
Refinery Licences	444
Surveys of Mining Claims	445
Mortgage Brokers Registration Act			
General	446
Mortmain and Charitable Uses Act			
Licences and Fees	447
<i>amended</i>		338/61	Oct. 28/61
Mothers' Allowances Act			
General		21/63	Feb. 9/63
<i>amended</i>		242/64	Oct. 3/64
Motor Vehicle Accident Claims Act, 1961-62			
General		155/62	June 30/62
<i>amended</i>		22/64	Feb. 8/64
<i>amended</i>		80/64	April 25/64
Motor Vehicle Fuel Tax Act			
Exemptions	449

	Regulation No.		Date of Gazette
	R.R.O. 1960	O. Reg.	
Municipal Act			
Attendance Credits for Jail Employees.....	450
<i>amended</i>	253/62	Oct. 20/62
Pension Plan for Municipal Employees.....	451
<i>amended</i>	167/62	July 14/62
N			
Niagara Parks Act			
General.....	452
<i>amended</i>	167/63	July 6/63
<i>amended</i>	249/64	Oct. 3/64
Notaries Act, 1962-63			
Fees.....	...	288/63	Nov. 2/63
Nurses Act, 1961-62			
General.....	...	342/62	Jan. 5/63
<i>amended</i>	132/63	June 15/63
<i>amended</i>	211/63	Aug. 17/63
<i>amended</i>	208/64	Aug. 22/64
O			
Official Notices Publication Act			
Rates.....	456
Old Age Assistance Act			
General.....	457
Oleomargarine Act			
General.....	458
<i>amended</i>	320/63	Dec. 7/63
<i>amended</i>	330/63	Dec. 21/63
<i>amended</i>	56/64	Mar. 14/64
Ontario Energy Board Act, 1964			
General.....	459
<i>amended</i>	88/62	April 21/62
<i>amended</i>	330/62	Dec. 22/62
<i>amended</i>	7/63	Jan. 26/63
<i>amended</i>	150/63	June 29/63
<i>amended</i>	299/64	Nov. 14/64
<i>amended</i>	323/64	Dec. 26/64
Rules of Procedure.....	...	324/64	Dec. 26/64
Ontario Food Terminal Act			
Composition of Board.....	461
Conduct of Business.....	462
<i>amended</i>	276/63	Nov. 2/63
Procedure of the Board.....	463
Ontario Highway Transport Board Act			
Rules of Procedure.....	464

	Regulation No.		Date of Gazette
	R.R.O. 1960	O. Reg.	
Ontario Human Rights Code, 1961-62			
Form of Complaint.....	...	130/62	June 16/62
Ontario Municipal Board Act			
Composition of Board.....	465
Procedure.....	466
Ontario Municipal Employees Retirement System Act, 1961-62			
Employer's Contribution.....	...	73/64	April 18/64
General.....	...	168/62	July 14/62
Ontario Municipal Improvement Corporation Act			
Interest on Debentures.....	...	99/63	May 4/63
<i>amended</i>	86/64	May 2/64
Procedure.....	468
Ontario Telephone Development Corporation Act			
Composition of Corporation.....	470
Ontario Water Resources Commission Act			
Exemptions from Section 28b.....	...	70/63	April 6/63
Plumbing Code.....	471
<i>amended</i>	178/64	July 25/64
Water Wells.....	...	212/61	July 3/61
Operating Engineers Act			
General.....	473
<i>amended</i>	348/63	Jan. 4/64
Ophthalmic Dispensers Act, 1960-61			
General.....	...	376/61	Dec. 23/61
Optometry Act, 1961-62			
General.....	...	166/63	July 6/63
P			
Parks Assistance Act			
General.....	475
Parole Act			
Parole.....	...	251/62	Oct. 13/62
Partnerships Registration Act			
Fees.....	...	51/64	Mar. 7/64
Penal and Reform Institutions Inspection Act			
Jails.....	477
<i>amended</i>	252/62	Oct. 13/62
Conduct Record in Reformatories.....	478
<i>amended</i>	319/64	Dec. 12/64
Pension Benefits Act, 1962-63			
General.....	...	201/64	Aug. 15/64
<i>amended</i>	321/64	Dec. 19/64

	Regulation No.		Date of Gazette
	R.R.O. 1960	O. Reg.	
Pesticides Act			
General	5/64	Jan. 25/64
Pharmacy Act			
Registration and Apprenticeship	480
<i>amended</i>	234/63	Sept. 7/63
<i>amended</i>	294/64	Nov. 14/64
Sale of Drugs	481
<i>amended</i>	304/61	Sept. 30/61
Planning Act			
Restricted Areas			
Blind River	482
District of Cochrane—Casgrain, Hanlan, Kendall and Way Townships	291/63	Nov. 9/63
District of Cochrane—O'Brien, Owens, Teetzel and Williamson Townships	185/63	July 13/63
District of Nipissing—Commanda Township	186/63	July 13/63
District of Parry Sound	305/64	Nov. 21/64
Districts of Cochrane, Sudbury and Timiskaming Haileybury	483
Improvement District of Bicroft	280/64	Oct. 24/64
Kapuskaing	298/64	Nov. 14/64
Kenricia	484
Teck Township—Englehart Area	153/62	June 30/62
<i>amended</i>	8/64	Jan. 25/64
White River	307/63	Nov. 30/63
Plant Diseases Act			
General	485
<i>amended</i>	19/64	Feb. 1/64
Police Act			
General	486
<i>amended</i>	287/63	Nov. 2/63
<i>amended</i>	200/64	Aug. 15/64
Responsibility of Policing	487
<i>amended</i>	191/62	Aug. 11/62
<i>amended</i>	244/62	Oct. 13/62
<i>amended</i>	245/62	Oct. 13/62
<i>amended</i>	61/64	Mar. 14/64
Power Commission Act			
Conversion to Sixty Cycles	488
Fees	306/64	Nov. 21/64
Ontario Electrical Code	304/63	Nov. 23/63
Pension Plan	491
<i>amended</i>	213/61	July 3/61
<i>amended</i>	16/62	Feb. 3/62
<i>amended</i>	212/62	Sept. 8/62
<i>amended</i>	309/63	Nov. 30/63
<i>amended</i>	9/64	Jan. 25/64
Rural Power Districts	492
Service Box Capacity	17/63	Feb. 9/63
<i>amended</i>	83/64	May 2/64
Water Heaters	493

	Regulation No.		Date of Gazette
	R.R.O. 1960	O. Reg.	
Prearranged Funeral Services Act, 1961-62			
Trust Accounts.....	...	146/62	June 23/62
<i>amended</i>	270/62	Oct. 27/62
Private Hospitals Act			
General.....	494
<i>amended</i>	159/62	July 7/62
Private Investigators Act			
General.....	495
Professional Engineers Act			
General.....	496
Provincial Land Tax Act, 1961-62			
General.....	...	343/62	Jan. 5/63
<i>amended</i>	233/63	Sept. 7/63
<i>amended</i>	162/64	July 11/64
<i>amended</i>	339/64	Jan. 9/65
Provincial Parks Act			
Designation of Parks.....	498
<i>amended</i>	73/63	April 6/63
<i>amended</i>	117/63	June 1/63
<i>amended</i>	151/63	June 29/63
<i>amended</i>	206/63	Aug. 10/63
<i>amended</i>	64/64	Mar. 21/64
<i>amended</i>	110/64	May 23/64
<i>amended</i>	161/64	July 11/64
<i>amended</i>	183/64	July 25/64
<i>amended</i>	205/64	Aug. 15/64
General.....	499
<i>amended</i>	214/61	July 3/61
<i>amended</i>	257/61	July 29/61
<i>amended</i>	123/62	June 2/62
<i>amended</i>	83/63	April 20/63
Guides in Quetico Provincial Park.....	...	99/62	May 12/62
Psychiatric Hospitals Act			
Associate Staff.....	...	135/62	June 23/62
Forms.....	500
Psychologists Registration Act			
General.....	501
<i>amended</i>	89/62	April 21/62
Public Commercial Vehicles Act			
Carrying Goods in Bond.....	502
<i>amended</i>	333/62	Dec. 22/62
<i>amended</i>	317/63	Dec. 7/63
<i>amended</i>	301/64	Nov. 14/64
General.....	503
<i>amended</i>	215/61	July 3/61
<i>amended</i>	366/61	Dec. 9/61
<i>amended</i>	263/62	Oct. 20/62
<i>amended</i>	331/62	Dec. 22/62
<i>amended</i>	57/63	Mar. 16/63

	Regulation No.		Date of Gazette
	R.R.O. 1960	O. Reg.	
Public Health Act			
Camps in Unorganized Territory.....	504
<i>amended</i>	115/63	June 1/63
Communicable Diseases.....	505
<i>amended</i>	147/62	June 30/62
Community Health Services.....	278/62	Nov. 3/62
Eating Establishments.....	506
Frosted-Food Locker Plants.....	507
Grants.....	508
Health Units			
Areas that may be Included in Health Units.....	509
<i>amended</i>	216/61	July 3/61
<i>amended</i>	58/62	Mar. 10/62
<i>amended</i>	47/63	Mar. 9/63
<i>amended</i>	23/64	Feb. 15/64
<i>amended</i>	282/64	Oct. 24/64
General.....	510
<i>amended</i>	274/61	Aug. 19/61
<i>amended</i>	305/63	Nov. 30/63
<i>amended</i>	335/63	Dec. 28/63
<i>amended</i>	72/64	April 18/64
<i>amended</i>	109/64	May 23/64
<i>amended</i>	136/64	June 27/64
<i>amended</i>	221/64	Sept. 5/64
<i>amended</i>	262/64	Oct. 17/64
<i>amended</i>	283/64	Oct. 24/64
Indigent Patients.....
Pasteurization Areas.....	512
Pasteurization Plants.....	513
<i>amended</i>	218/61	July 3/61
Plumbing in Unorganized Territory.....	514
Qualifications of Medical Officers of Health, Sanitary Inspectors and Public Health Nurses.....			
515.....
<i>amended</i>	31/63	Feb. 16/63
Sanitary Code for Unorganized Territory.....	277/62	Nov. 3/62
<i>amended</i>	118/64	June 13/64
Slaughter-Houses and Meat Processing Plants.....	516
Stuffed Articles.....	517
<i>amended</i>	56/62	Mar. 10/62
<i>amended</i>	71/62	Mar. 31/62
Summer Camps.....	518
Swimming Pools.....	519
Public Hospitals Act			
Classification of Hospitals.....	110/63	May 18/63
<i>amended</i>	193/63	July 27/63
<i>amended</i>	302/63	Nov. 16/63
<i>amended</i>	59/64	Mar. 14/64
<i>amended</i>	164/64	July 11/64
<i>amended</i>	233/64	Sept. 19/64
<i>amended</i>	304/64	Nov. 21/64
Grants			
Capital.....	308/63	Nov. 30/63
<i>amended</i>	203/64	Aug. 15/64
<i>amended</i>	231/64	Sept. 19/64
Maintenance.....	522
<i>amended</i>	225/63	Aug. 31/63

	Regulation No.		Date of Gazette
	R.R.O. 1960	O. Reg.	
Public Hospitals Act—Continued			
<i>Grants—Continued</i>			
Special.....	...	78/64	April 25/64
Special.....	...	79/64	April 25/64
Hospital Loans.....	...	120/64	June 13/64
Hospital Loans.....	...	332/64	Dec. 26/64
Hospital Management.....	523
<i>amended</i>	211/62	Sept. 1/62
<i>amended</i>	247/64	Oct. 3/64
Public Lands Act			
Hunting by Aircraft.....	...	268/63	Oct. 26/63
Restricted Areas			
District of Cochrane.....	...	84/62	April 21/62
District of Kenora.....	...	145/63	June 22/63
District of Thunder Bay.....	...	90/62	April 28/62
District of Timiskaming.....	...	85/62	April 21/62
Part of the District of Cochrane.....	...	29/64	Feb. 15/64
Sale of Public Lands.....	524
<i>amended</i>	370/61	Dec. 16/61
<i>amended</i>	66/62	Mar. 24/62
<i>amended</i>	75/62	April 7/62
<i>amended</i>	214/63	Aug. 31/63
Public Libraries Act			
General.....	...	220/61	July 3/61
<i>amended</i>	326/63	Dec. 14/63
Public Service Act, 1961-62			
General.....	...	190/62	Aug. 11/62
<i>amended</i>	15/63	Feb. 9/63
<i>amended</i>	176/63	July 13/63
<i>amended</i>	252/63	Sept. 28/63
<i>amended</i>	260/63	Oct. 19/63
<i>amended</i>	269/63	Oct. 26/63
<i>amended</i>	323/63	Dec. 7/63
<i>amended</i>	346/63	Jan. 4/64
<i>amended</i>	15/64	Feb. 1/64
<i>amended</i>	52/64	Mar. 14/64
<i>amended</i>	167/64	July 11/64
<i>amended</i>	207/64	Aug. 22/64
<i>amended</i>	244/64	Oct. 3/64
<i>amended</i>	308/64	Nov. 28/64
<i>amended</i>	337/64	Jan. 9/65
Joint Council.....	...	177/63	July 13/63
The Ontario Provincial Police Negotiating Committee.....	...	124/64	June 13/64
Public Service Superannuation Act			
General.....	528
<i>amended</i>	154/63	June 29/63
Public Trustee Act			
General.....	529
<i>amended</i>	223/61	July 3/61
<i>amended</i>	314/61	Oct. 14/61

	Regulation No.		Date of Gazette
	R.R.O. 1960	O. Reg.	
Public Vehicles Act			
General.....	530
<i>amended</i>	224/61	July 3/61
<i>amended</i>	261/62	Oct. 20/62
<i>amended</i>	332/62	Dec. 22/62
<i>amended</i>	105/64	May 23/64
<i>amended</i>	141/64	June 27/64
Public Works Creditors Payment Act, 1962-63			
Notice of Claim.....	252/64	Oct. 10/64
Time for Notice of Claim.....	45/64	Mar. 7/64
R			
Race Tracks Tax Act			
Rate of Tax.....	531
Radiological Technicians Act, 1962-63			
General.....	185/64	Aug. 1/64
Railway Fire Charge Act			
Charges for Fire Protection.....	532
Real Estate and Business Brokers Act			
Registration.....	533
<i>amended</i>	169/63	July 6/63
<i>amended</i>	312/64	Dec. 5/64
Sales Record Sheet.....	534
Reciprocal Enforcement of Judgments Act			
Application of Act.....	535
<i>amended</i>	225/61	July 3/61
Reciprocal Enforcement of Maintenance Orders Act			
Reciprocating States.....	536
Reformatories Act			
Management and Discipline.....	537
Registry Act			
Application of Section 32 of Act.....	111/64	May 30/64
Fees.....	49/64	Mar. 7/64
<i>amended</i>	159/64	July 4/64
Forms and Records.....	157/64	July 4/64
Microfilming of Registry Records.....	158/64	July 4/64
Registrar's Annual Return.....	328/63	Dec. 14/63
Surveys, Plans and Descriptions of Land.....	156/64	July 4/64
Regulations Act			
General.....	539
Rehabilitation Services Act			
General.....	540
<i>amended</i>	79/62	April 14/62
<i>amended</i>	131/63	June 15/63

	Regulation No.		Date of Gazette
	R.R.O. 1960	O. Reg.	
Retail Sales Tax Act, 1960-61			
General		232/61	July 8/61
<i>amended</i>		54/62	Mar. 10/62
<i>amended</i>		114/62	May 26/62
<i>amended</i>		177/62	July 28/62
<i>amended</i>		206/62	Sept. 1/62
<i>amended</i>		238/62	Oct. 6/62
<i>amended</i>		239/62	Oct. 6/62
<i>amended</i>		304/62	Dec. 1/62
<i>amended</i>		320/62	Dec. 15/62
<i>amended</i>		59/63	Mar. 23/63
<i>amended</i>		87/63	April 27/63
<i>amended</i>		243/63	Sept. 14/63
Rural Power District Service Charge Act (R.S.O. 1950, c. 344)			
Service Charges	541
S			
St. Lawrence Parks Commission Act			
Parks	469
<i>amended</i>		211/61	July 3/61
<i>amended</i>		91/64	May 9/64
Sanatoria for Consumptives Act			
General	542
<i>amended</i>		208/62	Sept. 1/62
<i>amended</i>		142/63	June 15/63
<i>amended</i>		271/63	Oct. 26/63
<i>amended</i>		119/64	June 13/64
<i>amended</i>		237/64	Sept. 26/64
Tuberculosis Control Clinics		188/62	Aug. 4/62
Securities Act			
Registration	543
<i>amended</i>		228/61	July 3/61
<i>amended</i>		239/61	July 15/61
<i>amended</i>		341/61	Oct. 28/61
<i>amended</i>		60/62	Mar. 17/62
<i>amended</i>		196/63	July 27/63
Security Transfer Tax Act			
General	544
Seed Potatoes Act			
General	545
Silicosis Act			
General	546

	Regulation No.		Date of Gazette
	R.R.O. 1960	O. Reg.	
Stallions Act			
General	547
Stock Yards Act			
Management.....	548
Succession Duty Act			
General.....	549
Summary Convictions Act			
Traffic Ticket.....	550
<i>amended</i>	68/64	April 11/64
Surrogate Courts Act			
Rules of Practice.....	551
Surveys Act			
Monuments.....	...	266/61	Aug. 5/61
<i>amended</i>	188/63	July 20/63
Survey Methods.....	552
T			
Teachers' Superannuation Act			
General.....	553
<i>amended</i>	229/61	July 3/61
<i>amended</i>	276/61	Aug. 19/61
<i>amended</i>	298/61	Sept. 23/61
<i>amended</i>	8/62	Jan. 20/62
<i>amended</i>	236/62	Oct. 6/62
<i>amended</i>	316/62	Dec. 15/62
<i>amended</i>	106/63	May 11/63
<i>amended</i>	155/63	June 29/63
<i>amended</i>	173/63	July 13/63
<i>amended</i>	281/63	Nov. 2/63
<i>amended</i>	70/64	April 11/64
<i>amended</i>	92/64	May 9/64
<i>amended</i>	131/64	June 20/64
<i>amended</i>	132/64	June 20/64
<i>amended</i>	240/64	Sept. 26/64
Theatres Act			
General.....	554
<i>amended</i>	140/63	June 15/63
Toll Bridges Act			
General.....	...	282/63	Nov. 2/63
<i>amended</i>	239/64	Sept. 26/64
Tourist Establishments Act			
General.....	556
<i>amended</i>	129/64	June 20/64
Trade Schools Regulation Act			
General.....	557
<i>amended</i>	33/62	Feb. 17/62
<i>amended</i>	139/62	June 23/62

	Regulation No.		Date of Gazette
	R.R.O. 1960	O. Reg.	
Training Schools Act			
Liability of Municipalities and Grants.....	558
<i>amended</i>	250/62	Oct. 13/62
Trench Excavators' Protection Act			
General.....	559
V			
Venereal Diseases Prevention Act			
General.....	560
Vital Statistics Act			
General.....	562
<i>amended</i>	233/61	July 15/61
<i>amended</i>	337/61	Oct. 28/61
<i>amended</i>	185/62	Aug. 4/62
<i>amended</i>	186/62	Aug. 4/62
<i>amended</i>	128/63	June 8/63
<i>amended</i>	209/63	Aug. 17/63
<i>amended</i>	324/63	Dec. 14/63
<i>amended</i>	4/64	Jan. 25/64
Voters' Lists Act			
General.....	563
<i>amended</i>	203/63	Aug. 3/63
W			
Warble Fly Control Act			
General.....	564
Weed Control Act			
General.....	565
<i>amended</i>	170/63	July 6/63
<i>amended</i>	112/64	May 30/64
<i>amended</i>	288/64	Oct. 31/64
Welfare Units Act			
General.....	566
Wilderness Areas Act			
Wilderness Areas.....	567
<i>amended</i>	268/61	Aug. 5/61
<i>amended</i>	35/62	Feb. 17/62
<i>amended</i>	89/64	May 2/64
<i>amended</i>	229/64	Sept. 12/64
<i>amended</i>	259/64	Oct. 17/64
Wild Rice Harvesting Act			
General.....	568
Wolf and Bear Bounty Act			
Bounties.....	569
<i>amended</i>	265/61	Aug. 5/61
Wolves or Bears in Captivity.....	570

	Regulation No.		Date of Gazette
	R.R.O. 1960	O. Reg.	
Workmen's Compensation Act			
General	571
<i>amended</i>	230/61	July 3/61
<i>amended</i>	379/61	Dec. 23/61
<i>amended</i>	126/62	June 9/62
<i>amended</i>	328/62	Dec. 22/62
<i>amended</i>	45/63	Mar. 9/63
<i>amended</i>	347/63	Jan. 4/64
Pension Plan	572

PART II

Showing the Regulations contained in Revised Regulations of Ontario, 1960 and the Regulations filed after the Revised Regulations came into force and on or before the 31st day of December, 1964 that have been revoked, are revoking only or have expired or are spent.

R.R.O. 1960 Regulations	Disposition	R.R.O. 1960 Regulations	Disposition
3	See S.O. 1961-62, c. 42, s. 20	180	See S.O. 1961-62, c. 93, s. 19
10	Rev. 158/63	181	See S.O. 1964, c. 32, s. 1
11	Rev. 268/64	186	Rev. 319/63
12	Rev. 264/64	187	Rev. 152/63
13	Rev. 264/64	191	Rev. 152/63
14	Rev. 277/64	192	Rev. 347/61
15	Rev. 270/64	193	Rev. 94/64
16	Rev. 270/64	194	Rev. 322/61
17	Rev. 279/64	195	Rev. 264/61
18	Rev. 272/64	196	Rev. 234/61
19	Rev. 272/64	197	Rev. 237/61
20	Rev. 273/64	198	Rev. 243/61
21	Rev. 278/64	201	Rev. 247/63
22	Rev. 278/64	203	Rev. 226/63
23	Rev. 274/64	204	Rev. 82/64
24	Rev. 274/64	210	Rev. 301/61
25	Rev. 276/64	211	Rev. 180/63
26	Rev. 276/64	221	Rev. 129/62
30	Rev. 26/64	225	Exp.
34	See S.O. 1960-61, c. 5, s. 17	228	Exp.
40	Rev. 111/62	235	Rev. 156/62
46	Rev. 133/61	247	Rev. 199/64
49	Rev. 297/64	257	Rev. 193/62
64	Rev. 384/61	263	Rev. 188/61
72	Rev. 283/63	264	Rev. 47/62
79	Rev. 258/61	269	Rev. 226/64
80	Rev. 123/64	272	Rev. 61/63
83	Rev. 143/61	275	Rev. 310/62
84	Rev. 142/61	278	Rev. 18/63
86	Rev. 175/64	280	Rev. 189/61
90	Rev. 28/63	281	Rev. 193/61
95	Rev. 280/63	284	Rev. 190/61
97	Rev. 142/61	288	Rev. 10/63
106	Rev. 137/62	289	Rev. 341/62
109	Rev. 100/63	290	Rev. 191/61
110	See S.O. 1961-62, c. 125, s. 1	293	Rev. 192/61
113	Rev. 293/61	296	Rev. 339/61
124	Rev. 377/61	301	Rev. 48/62
131	Rev. 156/61	311	Rev. 364/61
132	Rev. 334/64	312	Rev. 226/64
134	Rev. 196/64	329	Rev. 62/62
135	See S.O. 1961-62, c. 93, s. 19	334	Rev. 220/64
136	See S.O. 1961-62, c. 93, s. 19	339	Rev. 194/61
		342	Rev. 255/61
		344	Rev. 195/61
		347	Rev. 220/64

R.R.O. 1960 Regulations	Disposition	R.R.O. 1960 Regulations	Disposition
353	Rev. 204/64	467	Rev. 99/63
359	Rev. 169/62	472	Rev. 212/61
361	Rev. 309/61	474	Rev. 166/63
373	Rev. 199/61	476	Rev. 251/62
380	Rev. 49/62	479	Rev. 5/64
381	Rev. 200/61	489	Rev. 306/64
384	Rev. 220/64	490	Rev. 304/63
385	Rev. 220/64	497	Rev. 343/62
386	Rev. 220/64	511	Rev. 258/63
387	Rev. 220/64	520	Rev. 110/63
402	Rev. 77/63	521	Rev. 308/63
435	Rev. 343/61	525	Rev. 220/61
436	Rev. 283/61	526	Rev. 190/62
439	Rev. 313/64	527	Rev. 222/61
448	Rev. 21/63	538	Rev. 111/64
453	Rev. 288/63	555	Rev. 282/63
454	Rev. 211/63	561	See S.O. 1961-62, c. 42, s. 20
455	Rev. 211/63		
460	Rev. 324/64		

Ontario Regulations	Disposition	Ontario Regulations	Disposition
1/61 to 129A/61	Rev. S.O. 1959, c. 90, s. 5 (2)	245/61	Rev. 149/62
134/61	Rev. 297/64	246/61	Rev. 211/63
136/61	Rev. 253/64	247/61	Rev. 190/62
137/61	Rev. 339/62	249/61	Rev. 37/62
139/61	Rev. 322/64	250/61	Rev. 190/62
140/61	Rev. 327/63	251/61	Rev. 190/62
143/61	Rev. 37/62	253/61	Rev. 211/63
156/61	Rev. 325/64	255/61	Rev. 265/64
157/61	Rev. 334/64	256/61	Rev. 110/63
158/61	See S.O. 1961-62, c. 93, s. 19	258/61	Rev. 305/62
165/61	Rev. 349/61	260/61	Revkg.
170/61	Revkg.	262/61	Rev. 176/62
171/61	Rev. 82/64	264/61	Rev. 229/63
174/61	Rev. 301/61	267/61	Rev. 247/63
179/61	Rev. 41/62	269/61	Rev. 305/63
207/61	Rev. 387/61	271/61	Rev. 133/62
210/61	Rev. 21/63	278/61	Rev. 266/62
217/61	Rev. 305/63	279/61	Exp.
219/61	Rev. 110/63	280/61	Rev. 133/62
221/61	Rev. 190/62	281/61	Rev. 355/61
222/61	Rev. 190/62	282/61	Rev. 301/61
226/61	See S.O. 1961-62, c. 124, s. 1	283/61	Revkg.
227/61	Rev. 9/62	285/61	Revkg.
234/61	Rev. 133/62	286/61	Revkg.
235/61	Spent	287/61	Rev. 190/62
236/61	Spent	288/61	Rev. 190/62
237/61	Rev. 176/62	289/61	Rev. 190/62
238/61	Rev. 289/63	291/61	Revkg.
241/61	Revkg.	292/61	Rev. 119/62
242/61	Rev. 133/62	294/61	Rev. 39/64
243/61	Rev. 133/62	299/61	Spent
		300/61	Rev. 133/62
		302/61	Spent

Ontario Regulations	Disposition	Ontario Regulations	Disposition
306/61	Rev. 229/63	101/62	Rev. 305/63
308/61	Rev. 190/62	102/62	Rev. 211/63
311/61	Rev. 305/63	104/62	Spent
312/61	Revkg.	105/62	Rev. 127/63
319/61	Rev. 325/64	110/62	Rev. 116/63
320/61	Rev. 254/62	113/62	Rev. 110/63
321/61	Rev. 259/62	127/62	Rev. 107/63
322/61	Rev. 286/63	131/62	Rev. 82/64
324/61	Rev. 2/63	132/62	Rev. 229/63
326/61	Rev. 68/62	133/62	Rev. 189/63
327/61	Rev. 47/63	134/62	Rev. 189/63
334/61	Rev. 218/62	142/62	Rev. 132/64
343/61	Rev. 125/64	156/62	Revkg.
344/61	Rev. 276/63	157/62	Revkg.
345/61	Rev. 226/63	160/62	Rev. 190/62
347/61	Revkg.	161/62	Spent
352/61	Rev. 284/63	163/62	Exp.
355/61	Rev. 229/63	165/62	Rev. 189/63
375/61	Rev. 311/64	171/62	Rev. 247/64
378/61	Rev. 283/63	173/62	Rev. 170/63
381/61	Exp.	176/62	Rev. 249/63
382/61	Rev. 333/62	179/62	Revkg.
383/61	Rev. 117/62	182/62	Rev. 274/64
385/61	Rev. 156/62	200/62	Rev. 304/63
388/61	Exp.	204/62	Revkg.
		214/62	Rev. 236/63
4/62	Rev. 182/64	215/62	Rev. 240/63
5/62	Rev. 190/62	218/62	Revkg.
6/62	Rev. 196/64	220/62	Rev. 326/64
7/62	Rev. 110/63	221/62	Rev. 325/64
9/62	See S.O. 1964, c. 103, s. 1	222/62	Rev. 162/63
		223/62	Rev. 110/63
11/62	Exp.	230/62	Rev. 246/64
19/62	Rev. 226/63	232/62	Revkg.
20/62	Rev. 82/64	233/62	Rev. 189/63
24/62	Rev. 325/64	234/62	Spent
30/62	Rev. 13/63	235/62	Rev. 189/63
31/62	Rev. 61/64	242/62	Rev. 249/63
36/62	Rev. 247/63	243/62	Rev. 41/63
37/62	Rev. 32/63	256/62	Rev. 286/63
39/62	Revkg.	257/62	Revkg.
40/62	Rev. 194/64	258/62	Rev. 162/63
42/62	Revkg.	259/62	Rev. 285/63
43/62	Rev. 176/62	260/62	Rev. 280/63
49/62	Rev. 224/64	265/62	Revkg.
51/62	Rev. 182/64	268/62	Rev. 305/63
57/62	Rev. 305/63	269/62	Rev. 258/63
61/62	Rev. 297/64	272/62	Rev. 189/63
64/62	Revkg.	274/62	Rev. 322/62
72/62	Rev. 196/64	276/62	Revkg.
73/62	Rev. 309/64	279/62	Rev. 305/63
76/62	Rev. 151/64	285/62	Rev. 284/63
83/62	Rev. 325/64	287/62	Revkg.
87/62	Rev. 82/64	289/62	Rev. 27/63
91/62	Rev. 13/63	290/62	Rev. 110/63
92/62	Exp.	291/62	Revkg.
94/62	Rev. 110/63	292/62	Rev. 189/63
95/62	Rev. 313/62	295/62	Rev. 249/63
96/62	Rev. 294/62	298/62	Rev. 309/64

Ontario Regulations	Disposition	Ontario Regulations	Disposition
299/62	Exp.	157/63	Rev. 267/64
300/62	Rev. 82/64	158/63	Revkg.
301/62	Revkg.	159/63	Rev. 267/64]
305/62	Rev. 302/64	160/63	Rev. 272/64]
309/62	Rev. 305/63	162/63	Revkg.
315/62	Rev. 110/63	165/63	Rev. 16/64
319/62	Revkg.	180/63	Revkg.
321/62	Revkg.	181/63	Rev. 316/64
327/62	Rev. 297/64	187/63	Rev. 182/64
334/62	Rev. 311/63	195/63	Rev. 177/64
340/62	Rev. 323/64	199/63	Spent
		200/63	Revkg.
2/63	Rev. 305/63	210/63	Rev. 235/64
8/63	Rev. 350/63	213/63	Rev. 187/64
9/63	Revkg.	224/63	Rev. 308/63
12/63	Revkg.	244/63	Rev. 279/64
13/63	Rev. 11/64	248/63	Revkg.
19/63	Rev. 110/63	249/63	Revkg.
24/63	Rev. 326/64	251/63	Rev. 89/64
26/63	Rev. 305/63	255/63	Rev. 152/64
27/63	Rev. 125/64	258/63	Rev. 283/64
32/63	Rev. 16/64	262/63	Revkg.
36/63	Rev. 305/63	263/63	Revkg.
39/63	Rev. 289/63	267/63	Rev. 177/64
40/63	Rev. 11/64	273/63	Rev. 177/64
42/63	Rev. 121/64	278/63	Rev. 297/64
56/63	Rev. 110/63	289/63	Rev. 111/64
58/63	Rev. 149/64	290/63	Spent
65/63	Revkg.	293/63	Spent
68/63	Rev. 305/63	297/63	Rev. 177/64
74/63	Rev. 244/64	315/63	Revkg.
85/63	Spent	316/63	Exp.
88/63	Rev. 182/64	318/63	Rev. 22/64
94/63	Rev. 306/63	332/63	Rev. 197/64
97/63	Exp.	334/63	Revkg.
98/63	Exp.	344/63	Rev. 152/64
101/63	Rev. 305/63	349/63	Rev. 325/64
125/63	Rev. 53/64	350/63	Rev. 334/64
126/63	Rev. 226/63		
127/63	Rev. 82/64	10/64	Rev. 182/64
129/63	Rev. 5/64	27/64	Rev. 266/64
137/63	Revkg.	28/64	Rev. 266/64
138/63	Rev. 152/64	39/64	Rev. 309/64
141/63	Rev. 184/64	67/64	Rev. 302/64
143/63	Exp.	139/64	Rev. 176/64
146/63	Rev. 182/64	172/64	Rev. 309/64
152/63	Revkg.	222/64	Rev. 262/64



Publications Under The Regulations Act

January 11th, 1964

THE DIVISION COURTS ACT

O. Reg. 1/64.

Courts.

Made—December 30th, 1963.

Filed—January 2nd, 1964.

REGULATION MADE UNDER THE DIVISION COURTS ACT

1. Schedules 50 and 51 to Regulation 115 of Revised Regulations of Ontario, 1960 are revoked and the following substituted therefor:

Schedule 50

1. The Second Division Court of the County of Haldimand.

2. Those parts of the County of Haldimand described as follows:

i. The villages of,

(a) Caledonia;

(b) Cayuga;

(c) Hagersville;

(d) Jarvis.

ii. The townships of,

(a) North Cayuga;

(b) Oneida;

(c) Rainham;

(d) Seneca;

(e) South Cayuga;

(f) Walpole.

3. The Village of Cayuga.

(30)

2

THE INDUSTRIAL STANDARDS ACT

O. Reg. 2/64.

Ladies' Dress and Sportswear Industry—
Ontario.

Made—August 30th, 1963.

Approved—December 19th, 1963.

Filed—January 3rd, 1964.

ORDER MADE UNDER THE INDUSTRIAL STANDARDS ACT

1. Subsection 4 of section 8 of the Schedule to Regulation 349 of Revised Regulations of Ontario, 1960 is revoked and the following substituted therefor:

(4) No permit shall be issued by the advisory committee for overtime work,

(a) on Friday; or

(b) on Saturday except between the hours of 8.00 and 12.00 o'clock in the forenoon.

2. Sections 10 and 11 of the Schedule to Regulation 349 of Revised Regulations of Ontario, 1960, as remade by section 2 of Ontario Regulation 86/62 are revoked and the following substituted therefor:

MINIMUM RATES OF WAGES

10. The minimum rate of wages for all work performed in the industry during the regular working periods by employees classified in section 9 is the hourly rate set opposite the respective classes as follows:

i. Class A, \$1.78.

ii. Class B, \$1.72.

iii. Class C, \$1.45.

iv. Class D, \$1.32.

v. Class E, \$1.19.

vi. Class F, \$1.06.

vii. Class G, \$1.00.

RATES OF WAGES FOR OVERTIME WORK

11. The rate of wages for overtime work performed in the industry by employees classified in section 9 is the hourly rate set opposite the respective classes as follows:

i. Class A, \$2.67.

ii. Class B, \$2.58.

iii. Class C, \$2.17½.

iv. Class D, \$1.98.

v. Class E, \$1.78½.

vi. Class F, \$1.59.

vii. Class G, \$1.50.

3. This order comes into force on the tenth day after the publication thereof in *The Ontario Gazette* under *The Regulations Act*.

INDUSTRY AND LABOUR BOARD:

E. G. GIBB,
Chairman.

J. F. NUTLAND,
Member.

H. G. PIERCY,
Member.

We concur,
ADVISORY COMMITTEE FOR THE LADIES' DRESS AND
SPORTSWEAR INDUSTRY IN THE ONTARIO ZONE:

P. HILDERBRAND SAM SHERKIN
S. KRAISMAN B. COWAN
JOSEPH MACKS

Dated at Toronto this 30th day of August, 1963.

(32)

2



Publications Under The Regulations Act

January 18th, 1964

THE GAME AND FISH ACT, 1961-62**O. Reg. 3/64.**

Guides.

Made—December 23rd, 1963.

Filed—January 13th, 1964.

**REGULATION MADE UNDER
THE GAME AND FISH ACT, 1961-62**

1. Section 1 of Ontario Regulation 123/63, as re-made by section 1 of Ontario Regulation 250/63, is revoked and the following substituted therefor:

1. The parts of Ontario described in schedules 1, 2 and 3 are designated as areas in which no person shall act as a guide except under the authority of a licence.

2. Ontario Regulation 123/63, as amended by Ontario Regulation 250/63, is further amended by adding thereto the following Schedule:

Schedule 3

All that part of the Province of Ontario lying north of latitude 51° north and east of longitude 83° west in the Territorial District of Cochrane and in the Patricia Portion of the Territorial District of Kenora.

A. K. ROBERTS,
Minister of Lands and Forests.

Toronto, December 23rd, 1963.

(60)

3

Publications Under The Regulations Act

January 25th, 1964

THE VITAL STATISTICS ACT

O. Reg. 4/64.
 General.
 Made—January 9th, 1964.
 Filed—January 14th, 1964.

REGULATION MADE UNDER THE VITAL STATISTICS ACT

1. Paragraph 8 of Form 1 to Regulation 562 of Revised Regulations of Ontario, 1960 is amended by striking out "malformations" in the first line and inserting in lieu thereof "anomalies".

2. Form 8 to Regulation 562 of Revised Regulations of Ontario, 1960, as remade by section 2 of Ontario Regulation 337/61, is amended by,

(a) striking out "REGISTERED NAME OF CHILD:

.....
 (Surname)

 (Given names)

in the ninth, tenth, eleventh, twelfth and thirteenth lines; and

(b) by inserting after "REGISTRATION NO.

....." in the sixteenth line "SEX.....".

3.—(1) Paragraph 6 of Form 18 to Regulation 562 of Revised Regulations of Ontario, 1960 is revoked and the following substituted therefor:

6. CAUSE OF DEATH

I

Disease or condition directly leading to death. (This does not mean the mode of dying, e.g., heart failure, asthenia, etc. It means the disease, injury or complication that caused death.)

(a)
 due to (or as a consequence of)

Antecedent causes—
 Morbid conditions, if any, giving rise to the above cause, stating the underlying condition last.

(b)
 due to (or as a consequence of)

(c)

II

Other significant conditions contributing to the death, but not related to the disease or condition causing it.

.....

Approximate interval between onset and death

(2) The said Form 18 is amended by striking out everything under the heading "INSTRUCTIONS" at the end thereof.

(63)

4

THE PESTICIDES ACT

O. Reg. 5/64.
 General.
 Made—December 23rd, 1963.
 Approved—January 9th, 1964.
 Filed—January 14th, 1964.

REGULATION MADE UNDER THE PESTICIDES ACT

GENERAL DEFINITIONS

1. In this Regulation,

(a) "Department" means the Department of Health;

(b) "Director" means the Director of the Industrial Hygiene Branch of the Department of Health;

(c) "herbicide" means any substance used for the destruction or control of vegetation;

(d) "pesticide" means any substance used for the destruction or control of insects, vermin, birds, rodents, fungi or other pests;

(e) "protective clothing" means rubber gloves, rubber footwear, a gas mask or respirator capable of absorbing any poisonous gases, vapours or dusts present, and clothing and headgear sufficient to leave a minimum of skin or hair exposed;

(f) "warning gas" means a gas that readily identifies its presence by its effect on the sense of smell or touch.

- SUBSTANCES
2. Substances used in extermination are classified as,
- (a) Group A substances made up of,
- (i) hydrocyanic acid gas and cyanide compounds, and
- (ii) methyl bromide;
- (b) Group B substances made up of all pesticides except those designated in clause *a*; and

- (c) Group C substances made up of all herbicides except methyl bromide.
3. A person who performs an extermination,
- (a) with a substance referred to in column 1 of the following Table; and
- (b) under the conditions set opposite thereto in column 2 of the Table, is classified as the class of exterminator set opposite thereto in column 3 and his licence shall be in the form set opposite thereto in column 4:

TABLE

	COLUMN 1	COLUMN 2	COLUMN 3	COLUMN 4
Item	Substance Authorized for Use in an Extermination	Conditions for Use	Class of Exterminator	No. of Form of Licence
1	Group A and Group B Group B Group C	any use any use any use	Class 1 Class 2 Class 3	1 2 3
4	Group A, B or C	only in a building, vehicle or on land occupied by himself or his employer	Class 4	4
5	Group B	only from an air-borne machine	Class 5	5
6	Group B	only for control of insects or fungi on land	Class 6	6

4.—(1) A person who serves as an employee of a class 1, 2, 3, 5 or 6 exterminator is classified as a class 1, 2, 3, 5 or 6 assistant exterminator, respectively.

(2) A licence for a class 1, 2, 3, 5 or 6 assistant exterminator shall be in Form 7, 8, 9, 10 or 11, respectively.

5. An application for a licence shall be made to the medical officer of health,

- (a) for the area in which the applicant or his employer carries on business as an exterminator; or
- (b) where the applicant or his employer does not have a place of business in Ontario, for the area in Ontario that is nearest to the place of business of the applicant or his employer.

6.—(1) An application for a licence as an exterminator shall be in Form 12.

(2) An application for a licence as an assistant exterminator shall be in Form 13.

(3) An applicant for a licence shall set out in his application the form of licence for which he is applying.

7. An applicant for a licence shall submit with his application the certificate of a legally qualified medical practitioner as to his physical fitness for the purpose of conducting exterminations.

8. Where a medical officer of health receives an application, he shall within fourteen days submit to the Director,

- (a) the application and certificate of physical fitness; and
- (b) his report on the character of the applicant.

9.—(1) Where the Director is satisfied that the applicant complies with this Regulation, the Director shall designate two or more examiners, and a time and place for the examination of the applicant.

(2) The Director shall notify the applicant of the time and place of the examination.

10.—(1) The examiners shall examine an applicant for a licence in Form 1, 2, 3, 4, 5 or 6 on his knowledge,

- (a) of the provisions of the Act and this Regulation in respect of an extermination,
- (i) toxicity and hazard,
- (ii) first aid and antidotes, and

- (iii) forms and methods of application, in the case of an applicant for a licence,
- (iv) in Form 1, of groups A and B substances,
- (v) in Form 2 of Group B substances,
- (vi) in Form 3 of Group C substances,
- (vii) in Form 4 of Group A substances,
- (viii) in Form 5 or 6 of Group B substances;
- (c) of the identification, life history, habits, characteristics and control of insects, vermin, birds, rodents or other pests, fungi or vegetation that may be subject to extermination.

(2) The examiners shall examine an applicant for a licence in Form 7, 8, 9, 10 or 11, to ascertain whether the applicant has sufficient knowledge of the provisions of the Act and of this Regulation in respect of exterminations by the use of substances that his employer may use, to serve as an assistant exterminator.

11. Within fourteen days after an examination, the examiners shall submit to the Director a unanimous report of,

- (a) in the case of an applicant for an exterminator's licence, their findings as to whether the applicant has sufficient knowledge of the matters in subsection 1 of section 10 upon which the applicant has been examined to carry out exterminations efficiently and without danger to any person or property;
- (b) in the case of an applicant for an assistant exterminator's licence, as to whether the applicant has sufficient knowledge to act as an assistant to his employer; and
- (c) their findings as to the form of a licence, if any, that the applicant is qualified to hold.

12.—(1) A licence shall not be granted unless the applicant,

- (a) is of good character;
- (b) is physically fit for the purpose of conducting exterminations;
- (c) is recommended by the examiners as competent to hold the form of licence for which he has applied;
- (d) in the case of an applicant for an exterminator's licence,
 - (i) furnishes a certified copy of an insurance policy of the amount and type prescribed in section 21, and
 - (ii) has been the holder of an assistant exterminator's licence, and has served as an assistant exterminator of the same class as the class of exterminator for which he is the applicant for a period of one year or more, or submits evidence of experience that, in the opinion of the Director, is equivalent to service as an assistant exterminator for a period of one year; and
- (e) complies with the Act and regulations.

(2) An applicant for an exterminator's licence in Form 4 is exempt from subclause ii of clause d of subsection 1.

13. Where the examiners recommend that an assistant exterminator's licence be issued to an applicant, the Director shall issue the licence in the form recommended by the examiners.

14. A licence expires with the 15th day of February next following its date of issue.

15. A person who at the time this Regulation comes into force is the holder of a valid licence,

- (a) in Form 1;
- (b) in Form 3;
- (c) in Form 5;
- (d) in Form 7, or

issued under Regulation 479 of Revised Regulations of Ontario, 1960, is deemed to be the holder of a licence under this Regulation,

- (e) in Form 1;
- (f) in Form 2;
- (g) in Form 7; or
- (h) in Form 8,

respectively, expiring with the 15th day of February, 1964.

16.—(1) An application to renew a licence shall be made,

- (a) in the case of an application to renew an exterminator's licence, in Form 14; and
- (b) in the case of an application to renew an assistant exterminator's licence, in Form 15,

to the medical officer of health for the area as determined in section 5 before the 7th day of January in the year in which the licence expires.

(2) Where the holder of an exterminator's licence or assistant exterminator's licence does not apply for renewal of licence in accordance with subsection 1, he shall not be issued a licence except upon application therefor subject to the requirements of sections 5 to 13.

17. The medical officer of health may, in his discretion, require the applicant to provide the certificate of a legally qualified medical practitioner as to the physical fitness of the applicant to conduct an extermination.

18. Upon the receipt of an application to renew a licence the medical officer of health shall,

- (a) complete part II of Form 14 or 15 as the case may be; and
- (b) forward the application to the Director together with the medical certificate, if any.

19. Before renewing a licence the Director may, in his discretion, require the applicant to undergo the examination prescribed by section 10.

20. Where,

- (a) an examination has been required under section 19 and the examiners recommend the renewal of the licence;
- (b) in the case of an application to renew an exterminator's licence, the applicant has deposited with the Director a certified copy of the policies of insurance or certificate of renewal thereof, required to be furnished by section 21 covering the renewal terms of the licence; and

- (c) the applicant has complied with the Act and regulations,

the Director shall renew the applicant's licence.

INSURANCE

21.—(1) The holder of a licence in Form 1, 2, 3, 4, 5 or 6, or his employer, shall carry insurance in a form approved by the Superintendent of Insurance under *The Insurance Act*, against his liability for death or injury arising from the conduct of exterminations in the amount of,

- (a) \$5,000 for each employee or \$15,000 for three or more employees; and
 (b) \$15,000 for one person and \$30,000 for two or more persons who are not employees.

(2) When the business of the holder of a licence in Form 1, 2, 3, 4, 5 or 6, or his employer, is subject to Part I of *The Workmen's Compensation Act*, clause a of subsection 1 does not apply.

GROUP A SUBSTANCES

22. Sections 23 to 34 apply to exterminations in which a Group A substance is used.

23.—(1) No person shall commence an extermination in which a Group A substance is used in a vehicle, building, or group of attached buildings having a common owner, without a permit from the medical officer of health for the area in which the building or vehicle is situated, or a person authorized by him.

(2) An application for a permit shall be made in Form 16.

- (3) A permit shall be in Form 17.

24.—(1) The medical officer of health shall issue a permit where he is satisfied that the applicant,

- (a) is the holder of a licence in Form 1 or 4;
 (b) is mentally and physically capable of performing the extermination; and
 (c) proposes to perform the extermination in accordance with the Act and regulations.

(2) Where the medical officer of health refuses to issue a permit, he shall state his reasons for refusal in writing to the applicant and send a copy to the Director.

25. Upon issuing a permit the medical officer of health shall notify the police and fire department in whose jurisdiction the premises are situated of the issuance.

26. The exterminator shall perform the extermination in accordance with the details set out in his application for the permit, subject to the Act and regulations.

27. Where the medical officer of health who has issued a permit has reason to believe that the extermination in respect of which the permit was issued is being performed in a manner in breach of the Act and regulations, he shall cancel the permit.

28. Where the gas being used for the purpose of an extermination is not a warning gas, the exterminator shall release a warning gas with the release of the gas being used in the extermination.

29. No person shall use hydrocyanic acid gas or cyanide compounds for extermination in any building or vehicle or on any land where the extermination substance would come in contact with the waters of any stream or lake or water flowing into any stream or lake.

30. Before an extermination is performed in a building or vehicle, the exterminator shall,

- (a) seal all openings into the area in which the extermination is to be performed, including drains, ducts, vents and cracks, in a manner sufficient to make the area gas-tight; and
 (b) remove from the area all water and food likely to absorb the gas being used.

31.—(1) Before beginning an extermination the exterminator shall post a placard at least fourteen inches long and ten inches wide,

- (a) at all entrances to the building or vehicle and land on which the extermination is to be performed, and bearing the word "danger" in red letters at least $2\frac{1}{2}$ inches high on a white background, and indicating that an extermination is being performed on the premises;
 (b) at all entrances to buildings designated in clause b of subsection 1 of section 7 of the Act, and bearing the word "danger" in green letters at least $2\frac{1}{2}$ inches high on a white background and indicating that an extermination is being performed in an adjoining building.

(2) The exterminator shall cause the placards posted under subsection 1 to be illuminated from sundown to sunrise.

- (3) The exterminator shall ensure that,

- (a) no placard is removed; and
 (b) the building or vehicle is not reoccupied until twenty-four hours have elapsed since the gas was last released in the extermination.

32.—(1) No person shall enter or remain in a building or vehicle after an extermination therein is commenced and before the airing out is completed in accordance with section 34 except,

- (a) the exterminator;
 (b) an assistant exterminator;
 (c) a full-time fire fighter as defined in *The Fire Departments Act*;
 (d) a member of any police force established under *The Police Act*.

(2) During the period mentioned in subsection 1, the exterminator shall,

- (a) lock by a lock supplied by the exterminator, all doors and entrances to the building or vehicle in which the extermination is being performed; and
 (b) post adult guards in a manner sufficient to prevent any person, other than those mentioned in subsection 1, and in section 8 of the Act, from entering the building or vehicle.

33.—(1) No person shall enter or remain in a building or vehicle after an extermination therein is commenced and before the airing out is completed under section 34 unless,

- (a) he wears,
 (i) a gas mask fitted with a canister capable of absorbing all poisonous gases present, or
 (ii) a self-contained apparatus providing an independent supply of air; and

(b) he is accompanied by at least one other adult person.

34.—(1) Where an extermination is completed, the exterminator shall,

(a) remove and burn or bury under at least two feet of earth all substances used for the extermination or for sealing openings;

(b) shake or beat in the open air all moveable fabrics contained in the building or vehicle during the extermination, for a sufficient time to remove all gases used in the extermination;

(c) circulate fresh air for at least twelve hours to every air space in the buildings or vehicles described in subsection 1 of section 7 of the Act; and

(d) where Group A substance was used in the extermination, make the test prescribed in subsection 2 or 3, as the case may be.

(2) Where methyl bromide was used in the extermination, the exterminator shall make tests by means of a halide leak-detector for the detection of the presence of methyl bromide gas at the floor level of each room, basement, closet, attic and any other enclosed space in the building or vehicle in which the extermination was performed.

(3) Where hydrocyanic acid gas was used in the extermination, the exterminator shall make tests for the detection of the presence of hydrocyanic gas in the building or vehicle in which the extermination was performed by means of methyl-orange litmus paper held for at least two minutes against,

(a) each wall in every room, closet or other enclosed space;

(b) each floor and wall in the basement; and

(c) each ceiling and wall of every attic room.

(4) The airing-out of the building or vehicle shall be deemed not completed,

(a) where methyl bromide has been used, if the flame of the halide-leak detector changes to a greenish colour; or

(b) where hydrocyanic acid has been used, if the methyl-orange litmus paper changes to a red of pink colour.

GROUP B SUBSTANCES

35. Antu, arsenic trioxide, thallium sulphate, strychnine, sodium fluoridamide or zinc phosphide shall not be used for extermination,

(a) in a room while it is being used for human habitation;

(b) in an area to which entry by any person cannot be barred; or

(c) in such a way as to come in contact with or be likely to come in contact with food or drink for human consumption.

36.—(1) Where a substance listed in section 35 is used in an extermination, the exterminator shall,

(a) keep, for a period of six months after the extermination is completed, a record of the number and location of the baits used in the extermination; and

(b) remove every bait from the area when the extermination is completed.

(2) Any medical officer of health or an officer of any board of health may examine the record required by subsection 1 at any time.

37.—(1) An exterminator shall not use aldrin, chlordane, dieldrin, D.D.T., T.D.E., endrin or lindane,

(a) in any building used by an animal that produces milk for human consumption or any milk room;

(b) on any pasture or forage being used or to be used by animals producing milk for human consumption; or

(c) in such a manner as to come in contact with or likely to come in contact with food or drink for human consumption.

(2) Clause *c* of subsection 1 does not apply to lindane in the vapour form.

38. An exterminator shall not use chlordane or dieldrin in an extermination,

(a) as a suspension in air in any building; or

(b) as a deposit applied to an area greater than 10 per cent of the floor space of the room in which it is applied.

39.—(1) An exterminator shall not use lindane in vapour form,

(a) in a room while it is used for sleeping purposes; or

(b) in premises where any person may be exposed to contact with the lindane for more than eight hours in each twenty-four hour period.

(2) Where a room contains flammable gas, an appliance for the generation of lindane vapour shall not be used.

40. Where lindane in vapour form is used in an extermination in a building while it is occupied,

(a) the building shall not be sealed so as to impede the normal change of air;

(b) the amount of vapour released in a twenty-four hour period shall not exceed that produced by one gram of lindane for each 15,000 cubic feet of space in the room in which the vapour is generated;

(c) the point from which the lindane vapour is generated shall be more than,

(i) three feet from the underside of any horizontal surface above the point of generation,

(ii) six inches from the nearest vertical surface, and

(iii) seven feet from the floor, or surrounded by a protective barrier extending for two feet from the point of generation.

41. No person shall release lindane in vapour form in an extermination at a rate greater than that set out in clause *b* of section 40 unless,

(a) the area in which the extermination is performed is vacant from the time the vapour is released until the area has been aired out by means of a free circulation of air for one hour;

(b) all surfaces in the area likely to come into contact with food are washed; and

- (c) there has been no release of vapour during the two-week period immediately preceding the extermination.

ORGANIC PHOSPHOROUS COMPOUNDS

42. In this Regulation, "organic phosphorous compounds" does not include the compounds commonly called Baytex (Entex, Tiguvon); Coral; Diazinon; Dibrom; Dicapton; Dimethoate (Roger); Dylox (diptere); Ethion; Imidan; Meta-Systox; Nellite; Dichlorvos (DDVP); VC-13; Zytron; Chlorothion; Malathion; Ronnel (Korlan, Trolene).

43. No person shall engage in an extermination in which an organic phosphorous compound is used unless he is wearing protective clothing.

44. No exterminator shall use an organic phosphorous compound as a dust or a suspension in air or water in an extermination unless he is accompanied by at least one exterminator or assistant exterminator.

45. Any person who engages in an extermination in which an organic phosphorous compound is used shall, upon leaving the site of the extermination, forthwith remove all clothing, bathe and wash and air all clothing removed.

46.—(1) Before an extermination is performed in which an organic phosphorous compound as a suspension in air is used, the exterminator shall,

- (a) lock from the outside all doors, except one leading into the building in which the extermination is to be performed;
- (b) place on the outside of all doors leading into the building a placard,
 - (i) at least fourteen inches long and ten inches wide, and
 - (ii) bearing the words "danger—poisonous substances being used inside" in red block letters at least 2½ inches in height on a white background; and
- (c) ensure that the building is vacant.

(2) After an organic phosphorous compound as a suspension in air is released in a building, the exterminator shall lock the door excepted in clause *a* of subsection 1.

47. The exterminator who performs an extermination in a building by the use of an organic phosphorous compound as a suspension in air shall not permit any person to enter the building within one week after the release of the compound unless the building has been ventilated with fresh air for at least one hour.

48. Where an organic phosphorous compound is applied in an extermination outdoors, an exterminator shall not apply the compound,

- (a) in a manner likely to expose any person to contact with it; or
- (b) in such a way as to cause the compound to fall outside the area in which it is intended to perform the extermination.

49.—(1) In this section and in sections 50 and 51, "air-borne extermination" means an extermination performed by the application of organic phosphorous compounds from an air-borne machine.

(2) At least fourteen days before commencing an air-borne extermination, the exterminator shall notify the Director of the fact in Form 18.

(3) No person shall carry out an air-borne extermination without the consent of the Director in Form 19.

(4) The consent of the Director may be withheld where, in the opinion of the Director, the air-borne extermination cannot be carried out in safety.

(5) Within seven days after the completion of the extermination of a parcel described in a consent in Form 19, the exterminator shall notify the Director in writing of the completion.

50. The compound used in performing an air-borne extermination shall be in liquid form.

51.—(1) The pilot who is in charge of an air-borne machine used in an air-borne extermination shall enrol with the Department and the Director shall issue a certificate of enrolment in Form 20.

(2) The pilot shall not mix or assist in mixing the compound for use in the air-borne extermination or in loading the compound in the air-borne machine or otherwise expose himself to contact with the compound.

52. When an extermination with an organic phosphorous compound is completed, the exterminator shall immediately,

- (a) wash all clothing and equipment used in the extermination in a solution of soap and water; and
- (b) burn all material being discarded, or bury the material under at least two feet of earth.

53.—(1) An exterminator who has an organic phosphorous compound in his custody or control shall ensure that,

- (a) the room in which it is stored is ventilated to outside atmosphere;
- (b) a placard is affixed and maintained on the outside of each door leading into the room in which it is stored bearing the words "danger—poisonous substances stored inside" in red block letters at least 2½ inches in height on a white background;
- (c) no person can enter the room in which it is stored without his express permission; and
- (d) the organic phosphorous compound is stored in a gas-tight container.

(2) Where the container in which an organic phosphorous compound kept in storage is not gas-tight, the exterminator having custody or control of the compound shall,

- (a) burn the container and its contents;
- (b) bury the container and its contents under at least two feet of earth; or
- (c) replace the container with a glass or metal gas-tight container.

54. Where an exterminator uses Dichlorvos (DDVP) in a vapour form, he shall ensure that,

- (a) no person is in the area in which the extermination is to be performed;
- (b) the premises are thoroughly aired out after the extermination; and
- (c) the extermination is done in such a manner that the Dichlorvos (DDVP) will not come in contact with any food for human consumption.

55. Where an exterminator uses or stores sodium fluoride, he shall ensure,

- (a) that it is coloured blue; and
- (b) that it is not used or stored in a room in a building,
 - (i) in which food or drink for human consumption is stored, prepared or served, or
 - (ii) to which a person under sixteen years of age has access.

SPOT FUMIGANTS

56. Where an extermination is performed in which,

- (a) ethylene dichloride;
- (b) propylene dichloride;
- (c) ethylene dibromide; or
- (d) carbon tetrachloride,

is used, every person performing the extermination shall,

- (e) wear protective clothing; and
- (f) be accompanied by at least one exterminator or assistant exterminator.

57. Where a person engages in an extermination in a building or enclosure with chloropicrin, he shall ensure that,

- (a) no person is in the building or any adjoining building;
- (b) a gas mask and suitable canister is immediately available at all times; and
- (c) the building or enclosure is free from chloropicrin before any other person is allowed to enter.

1080

58. No person shall use the compound 1080 in an extermination.

HERBICIDES

59. No person shall use a Group C substance containing arsenic other than sodium arsenite for the purpose of killing potato tops.

60. No person shall use phenyl mercuric acetate as a herbicide other than on golf courses.

61. An exterminator shall ensure that any Group C substance shall be used in such a manner as not to come in contact with any area other than the area intended to be treated.

EXEMPTIONS

62. Where a person,

- (a) is a householder and performs an extermination in the house that he occupies; or
- (b) is engaged in plant or animal production and performs an extermination on the premises on which he engages in the plant or animal production,

by the use of a Group B or C substance, he is exempt from subsection 1 of section 2 of the Act and sections 35 to 61 of this Regulation.

63.—(1) A person who performs an extermination on the premises of a person engaged in plant or animal production,

- (a) on that part of the premises that is used for plant or animal production; and
- (b) by the use of Group B or C substance,

is exempt from subsection 1 of section 2 of the Act if he is enrolled with the Department as a custom sprayer.

(2) Where a custom sprayer enrolls with the Department, the Director shall issue a certificate of enrolment in Form 21 and the enrolment and certificate expire on the 15th day of February next following the date of issue of the certificate.

64. Where a class 4 exterminator performs an extermination by the use of a Group B or C substance, he is exempt from subsection 1 of section 2 of the Act.

65. Where a person engaged in plant or animal production performs an extermination of insects, fungi or vegetation in soil on the premises on which he engages in the plant or animal production, by the use of methyl bromide, he is exempt from subsection 1 of section 2 of the Act.

66. Where an inspector under *The Bees Act* is engaged in destroying bees by extermination under the authority of that Act by the use of a Group A substance and,

- (a) wears a gas mask capable of absorbing the poisonous gas present;
- (b) performs the extermination in open air;
- (c) prevents all persons from coming into contact with the poisonous gases; and
- (d) remains at the site of the extermination during the time that any poisonous gases are present,

he is exempt from subsection 1 of section 2 of the Act and from sections 22 to 34 of this Regulation.

67. Where an exterminator engages in an extermination in or upon an installation or machinery that is a fixture in a building using a combination of not more than 30 per cent by weight methyl bromide with ethylene dibromide and,

- (a) performs the extermination in a building,
 - (i) that is not attached to any other building, and
 - (ii) in which no part is used for human habitation;

(b) previously notifies the medical officer of health for the area in which the building is situated, of the extermination;

(c) is accompanied during the extermination by at least one person who is over the age of eighteen years;

(d) wears a gas mask; and

(e) excludes all persons not engaged in the extermination from the building during the extermination,

he is exempt from sections 22 to 34.

68. Where an exterminator is engaged in the extermination of rodents in burrows in the ground by the use of a Group A substance and,

- (a) the burrows do not open into a building; and

- (b) the exterminator or assistant exterminator wears a gas mask during the extermination,

he is exempt from sections 22 to 34.

69.—(1) Where an exterminator engages in an extermination by the use of a Group A substance in an enclosed space or vault that is,

- (a) gas-tight;
 - (b) inside or opening into a building, equipped in accordance with subsection 2; and
 - (c) approved by the Director in accordance with subsection 3,
- and if the exterminator,
- (d) has a gas mask readily available at all times;
 - (e) before a gas is released, searches the enclosed space or vault to ensure that it contains no person, locks the door by a padlock and keeps the keys in his possession;
 - (f) is present during the airing-out period; and
 - (g) performs the tests prescribed in subsections 2, 3 and 4 of section 34 to determine whether the airing-out period is completed,

he is exempt from sections 22 to 33.

(2) The enclosed space or vault that is inside, or opens into a building, referred to in subsection 1 shall be equipped with,

- (a) a sheet-metal lining of which the joints are soldered and covering the walls and ceiling;
- (b) a concrete floor, or wooden floor of which the joints are made gas-tight by means of tar;
- (c) a rubber gasket around the perimeter of all doors;
- (d) an exhaust fan controlled by a switch from outside the enclosed space or vault, capable of giving ten changes of air per hour, and discharging exhaust gases into outside atmosphere at a point removed from any door, windows or openings; and
- (e) provision to introduce gas from outside the enclosed space or vault.

(3) Before the initial use for an extermination of the enclosed space or vault referred to in subsection 1, the exterminator shall notify the Director and shall not proceed with the extermination until the Director has approved the construction and equipment of the enclosed space or vault as required by this section.

70. Where an exterminator engages in an extermination in which a Group A substance is used and the gas is enclosed under a tarpaulin, and the extermination takes place,

- (a) outside a building while,
 - (i) the exterminator and at least one other exterminator or assistant exterminator is present during the airing out, and
 - (ii) gas masks are worn by all present during the introduction of the gas and the airing-out period; or
- (b) inside a building that is separate from any other building and,
 - (i) in which no person other than persons engaged in the extermination is present during the extermination and airing out,

- (ii) in which no part is used for human habitation,

- (iii) while the exterminator and at least one other exterminator or assistant exterminator is present during the introduction of gas and airing out,

he is exempt from sections 22 to 33.

71. Where an exterminator is exempt from subsection 1 of section 2 of the Act, his employees are exempt from subsection 2 of section 2 of the Act.

72. An employee of an exterminator, whose duties are exclusively clerical or managerial and who does not take part in an extermination, is exempt from subsection 2 of section 2 of the Act and from this Regulation.

73. An assistant exterminator who is the holder of an exterminator's licence is exempt from subsection 2 of section 2 of the Act.

74. The employer of a class 4 exterminator is exempt from subsection 1 of section 2 of the Act.

75. Regulation 479 of Revised Regulations of Ontario, 1960, and Ontario Regulation 129/63 are revoked.

M. B. DYMOND,
Minister of Health.

Dated at Toronto, this 23rd day of December, 1963.

Form 1

The Pesticides Act

LICENCE AS A CLASS 1 EXTERMINATOR
No.....

Under *The Pesticides Act* and the regulations, and subject to the limitations thereof, this licence is issued

to.....
(name of exterminator)

to use a Group A or B substance in an extermination.

This licence expires with the 15th day of February, 19..

Date....., 19....

.....
(Director of Division of Industrial Hygiene)

Form 2

The Pesticides Act

LICENCE AS A CLASS 2 EXTERMINATOR
No.....

Under *The Pesticides Act* and the regulations, and subject to the limitations thereof, this licence is issued

to.....
(name of exterminator)

to use a Group B substance in an extermination.

This licence expires with the 15th day of February, 19..

Date....., 19....

.....
(Director of Division of Industrial Hygiene)

Form 3

The Pesticides Act

LICENCE AS A CLASS 3 EXTERMINATOR

No.....

Under *The Pesticides Act* and the regulations, and subject to the limitations thereof, this licence is issued

to.....
(name of exterminator)

to use a Group C substance in an extermination.

This licence expires with the 15th day of February, 19..

Date....., 19....

.....
(Director of Division of Industrial Hygiene)

Form 4

The Pesticides Act

LICENCE AS A CLASS 4 EXTERMINATOR

No.....

Under *The Pesticides Act* and the regulations, and subject to the limitations thereof, this licence is issued

to.....
(name of exterminator)

to use a Group A, B or C substance for an extermination in a building or a vehicle or on land occupied by himself or his employer.

This licence expires with the 15th day of February, 19..

Date....., 19....

.....
(Director of Division of Industrial Hygiene)

Form 5

The Pesticides Act

LICENCE AS A CLASS 5 EXTERMINATOR

No.....

Under *The Pesticides Act* and the regulations, and subject to the limitations thereof, this licence is issued

to.....
(name of exterminator)

to use a Group B substance in an extermination from an air-borne machine.

This licence expires with the 15th day of February, 19..

Date....., 19....

.....
(Director of Division of Industrial Hygiene)

Form 6

The Pesticides Act

LICENCE AS A CLASS 6 EXTERMINATOR

No.....

Under *The Pesticides Act* and the regulations, and subject to the limitations thereof, this licence is issued

to.....
(name of exterminator)

to use a Group B substance for the purpose of controlling insects or fungi on land.

This licence expires with the 15th day of February,

19.....

Date....., 19....

.....
(Director of Division of Industrial Hygiene)

Form 7

The Pesticides Act

LICENCE AS A CLASS 1 ASSISTANT EXTERMINATOR

No.....

Under *The Pesticides Act* and the regulations, and subject to the limitations thereof, this licence is issued

to.....
(name of assistant exterminator)

to serve as an employee of a class 1 exterminator.

This licence expires with the 15th day of February, 19..

Date....., 19....

.....
(Director of Division of Industrial Hygiene)

Form 8

The Pesticides Act

LICENCE AS A CLASS 2 ASSISTANT EXTERMINATOR

No.....

Under *The Pesticides Act* and the regulations, and subject to the limitations thereof, this licence is issued

to.....
(name of assistant exterminator)

to serve as an employee of a class 2 exterminator.

This licence expires with the 15th day of February, 19..

Date....., 19....

.....
(Director of Division of Industrial Hygiene)

Form 9

The Pesticides Act

LICENCE AS A CLASS 3 ASSISTANT EXTERMINATOR

No.

Under *The Pesticides Act* and the regulations, and subject to the limitations thereof, this licence is issued

to
(name of assistant exterminator)

to serve as an employee of a class 3 exterminator.

This licence expires with the 15th day of February, 19..

Date....., 19....

.....
(Director of Division of Industrial Hygiene)

Form 10

The Pesticides Act

LICENCE AS A CLASS 5 ASSISTANT EXTERMINATOR

No.

Under *The Pesticides Act* and the regulations, and subject to the limitations thereof, this licence is issued

to
(name of assistant exterminator)

to serve as an employee of a class 5 exterminator.

This licence expires with the 15th day of February, 19..

Date....., 19....

.....
(Director of Division of Industrial Hygiene)

Form 11

The Pesticides Act

LICENCE AS A CLASS 6 ASSISTANT EXTERMINATOR

No.

Under *The Pesticides Act* and the regulations, and subject to the limitations thereof, this licence is issued

to
(name of assistant exterminator)

to serve as an employee of a class 6 exterminator.

This licence expires with the 15th day of February,

19.....

Dated....., 19....

.....
(Director of Division of Industrial Hygiene)

Form 12

The Pesticides Act

APPLICATION FOR AN EXTERMINATOR'S LICENCE

To:
(medical officer of health)

1. I,
(name of applicant)

of
(address of applicant)

apply for a licence as a class..... exterminator,
in Form.....

2. I have served as a licensed class..... assistant
exterminator for..... in the
(length of time)

employment of:

.....

(names and addresses of exterminators
and periods of employment)

3. Other experience with exterminations:
.....

.....

.....

4. Attached hereto is a doctor's certificate as to
my physical fitness for the purpose of conducting
exterminations.

Date....., 19....

.....
(signature of applicant)

Form 13

The Pesticides Act

APPLICATION FOR AN ASSISTANT EXTERMINATOR'S LICENCE

To:
(medical officer of health)

1. I,
(name of applicant)

of
(address of applicant)

apply for a licence as a class..... assistant
exterminator, in Form.....

2. I am now employed by.....
(name of exterminator)

of
(address of exterminator)

3. I enclose a doctor's certificate as to my physical
fitness for the purpose of conducting extermina-
tions.

Date....., 19....

.....
(signature of applicant)

Form 14

The Pesticides Act

APPLICATION TO RENEW AN EXTERMINATOR'S LICENCE

To: (medical officer of health)

PART I

1. I, (name of applicant)

of (address of applicant)

apply for renewal of my licence as a class... exterminator issued to me on the... day of

..., 19... as No....

2. Attached hereto are certified copies of the policies of insurance, or renewal certificate thereof, required by section 21 of Ontario Regulation 5/64, and covering the term of the renewal of my licence.

3. I hereby certify that I have complied with the provisions of The Pesticides Act and regulations.

Date..., 19...

(signature of applicant)

PART II

I, (name of medical officer of health)

(recommend or do not recommend)

that the licence referred to herein be renewed.

Reasons where renewal not recommended:

Date..., 19...

(signature of medical officer of health)

Form 15

The Pesticides Act

APPLICATION TO RENEW AN ASSISTANT EXTERMINATOR'S LICENCE

To: (medical officer of health)

PART I

1. I, (name of applicant)

of (address of applicant)

apply for renewal of my licence as a class... assistant exterminator issued to me on the... day of

..., 19... as No....

2. During the past year I have served as an employee of

(names and addresses of exterminators and periods of employment)

3. I hereby certify that I have complied with the provisions of The Pesticides Act and regulations.

Date..., 19...

(signature of applicant)

PART II

I, (name of medical officer of health)

(recommend or do not recommend)

that the licence referred to herein be renewed.

Reasons where renewal not recommended:

Date..., 19...

(signature of medical officer of health)

Form 16

The Pesticides Act

APPLICATION FOR A PERMIT TO USE A GROUP A SUBSTANCE

1. I, (name of exterminator)

of (address of exterminator)

apply to..., Medical Officer of Health, for a permit to use a Group A substance in an extermination in premises at....

(location of premises)

on the... day of..., 19...

2. I am the holder of a licence in Form... No....

3. Particulars of the extermination are as follows:

(a) Description of premises (indicate whether it is an attached or detached building, an apartment, a portion of a building, a vehicle or other premises).

(b) Date on which premises were last inspected by exterminator....

- (c) Date on which notice required by section 7 of the Act was delivered.....
- (d) Cubic feet capacity of the premises to be exterminated.....
- (e) Hour in which extermination to be commenced.....
- (f) Name and amount of Group A substances to be used.....
- (g) Proposed time of opening premises.....
- (h) Names and addresses with brief description of duties of each assistant exterminator or other person who will assist.....

Date....., 19....

(signature of exterminator)

Form 17

The Pesticides Act

PERMIT TO USE A GROUP A SUBSTANCE

(name of exterminator)

of.....
(address of exterminator)

may use a Group A substance to exterminate in premises at.....
(address of premises)

on.....
(date of proposed extermination)

in accordance with the details of the application for a permit, dated the.....day of....., 19....

Date....., 19....

(signature of medical officer of health)

Form 18

The Pesticides Act

NOTICE OF AN AIR-BORNE EXTERMINATION

I,.....
(name)

of.....
(address)

apply for consent to use.....
(name of compound)

from.....
(type of aircraft)

on..... crops located at.....
(name)

..... within the period of.....

The names of the pilots enrolled under section 51 of Ontario Regulation 5/64 who will be employed are:

(signature of exterminator)

Form 19

The Pesticides Act

CONSENT TO AN AIR-BORNE EXTERMINATION

Consent is hereby granted to.....
(name)

of.....
(address)

to use.....
(name of compound)

from an air-borne machine on the.....
crops located at.....

between the period.....

The following pilots enrolled under section 51 of Ontario Regulation 5/64 shall be employed in the performance of this extermination:

(Director of Division of Industrial Hygiene)

Form 20

The Pesticides Act

CERTIFICATE OF ENROLMENT

(name)

is a pilot enrolled with the Ontario Department of Health under section 51 of Ontario Regulation 5/64, respecting the application of organic phosphorous compounds in liquid form for exterminations from an air-borne machine in the Province of Ontario in the year 19....

(Director of Division of Industrial Hygiene)

Form 21

The Pesticides Act

CERTIFICATE OF ENROLMENT

(name)

is enrolled with the Ontario Department of Health under section 63 of Ontario Regulation 5/64, as a custom sprayer in the Province of Ontario in the year 19.....

(Director of Division of Industrial Hygiene)

(64) 4

THE HOSPITAL SERVICES COMMISSION ACT

O. Reg. 6/64.
 General.
 Made—December 18th, 1963.
 Approved—January 9th, 1964.
 Filed—January 15th, 1964.

REGULATION MADE UNDER THE HOSPITAL SERVICES COMMISSION ACT

1. Item 13 of Part I of Schedule 5 to Regulation 238 of Revised Regulations of Ontario, 1960 is revoked.

2. Items 1 and 14 of Schedule 8 to Regulation 238 of Revised Regulations of Ontario, 1960, as remade by section 3 of Ontario Regulation 213/63, are revoked and the following substituted therefor:

1. Aurora Aurora Resthaven Nursing Home

14. Mount Albert Cooper's Nursing Home

HOSPITAL SERVICES COMMISSION OF ONTARIO:

J. B. NEILSON,
Chairman.

B. L. P. BROSSEAU,
Commissioner.

Dated at Toronto, this 18th day of December, 1963.

(83) 4

THE HIGHWAY IMPROVEMENT ACT

O. Reg. 7/64.
 Designations—Toronto to Windsor (Hwy. 401).
 Made—January 9th, 1964.
 Filed—January 15th, 1964.

REGULATION MADE UNDER THE HIGHWAY IMPROVEMENT ACT

1. Regulation 217 of Revised Regulations of Ontario, 1960, as amended by Ontario Regulations 178/61, 358/61, 12/62, 179/62, 16/63, 194/63 and 248/63, is further amended by adding thereto the following Schedule:

Schedule 2b

In the Township of North York in the County of York being,

(a) part of,

- (i) lots 18, 19, 20, 38, 39, 40, 43, 44, 45 and 48,
- (ii) lots 51 to 59, both inclusive,
- (iii) lots 64, 65, 67, 68, 69, 83, 84 and 85,
- (iv) lots 89 to 96, both inclusive,
- (v) lots 100, 161, 162, 163, 164 and 165,
- (vi) lots 167 to 175, both inclusive,
- (vii) lots 187, 188, 204, 205, 206 and 209,
- (viii) lots 218 to 232, both inclusive,
- (ix) lots 405 to 413, both inclusive,
- (x) lots 417, 436, 437 and 438,
- (xi) lots 625 to 634, both inclusive, and
- (xii) lots 638, 639, 640, 641, 642, 643, 653 and 728,

registered plan 2053;

(b) all of,

- (i) lots 21, 22, 23, 24, 41, 42, 66, 101, 102, 189, 190, 191, 202, 203, 207, 208, 210, 211, 157, 158, 159 and 160,
- (ii) lots 233 to 239, both inclusive,
- (iii) lots 377 to 404, both inclusive,
- (iv) lots 418 to 435, both inclusive,
- (v) lots 635, 636, 637, 756 and 757,
- (vi) lots 646 to 652, both inclusive, and
- (vii) lots 699 to 709, both inclusive,

registered plan 2053;

(c) part of,

- (i) Stadacona Drive,
- (ii) Carhart Street,
- (iii) Brightwood Street,
- (iv) Laurentia Crescent,
- (v) Marquette Avenue,
- (vi) Richelieu Road,
- (vii) Touraine Avenue,
- (viii) Delahaye Street, and
- (ix) Champlain Boulevard,

registered plan 2053;

(d) all of Lexington Street, registered plan 2053;

(e) part of,

- (i) lots 4, 5, 6, 7, 8, 9, 10, 11, 12 and 13, and

- (ii) Bridgeland Street,
registered plan 867;
- (f) part of,
(i) Lot 32,
(ii) lots 53 to 72, both inclusive, and
(iii) a one-foot reserve,
registered plan 2322;
- (g) all of,
(i) lots 1 to 24, both inclusive,
(ii) lots 73 to 120, both inclusive,
(iii) Clandeboye Avenue,
(iv) Blackwood Avenue, and
(v) Askin Street,
registered plan 2322;
- (h) part of,
(i) lots 1, 2, 3, 4, 5, 6, 7, 17, 18, 19, 20,
21 and 24,
(ii) Connie Street,
(iii) Cornelius Parkway, and
(iv) Jay Street,
registered plan 3192;
- (i) all of,
(i) lots 47 and 48, and
(ii) a one-foot reserve,
registered plan 3342;
- (j) part of Hopcroft Avenue, registered plan
3342;
- (k) all of Lot 22 and Block A, Plan M-686;
- (l) part of Lorne Bruce Drive, Plan M-686;
- (m) part of,
(i) lots 1, 2, 5 and 6, and
(ii) Frankfort Avenue,
Plan M-558;
- (n) part of,
(i) blocks A, B, C and D,
(ii) Springview Avenue,
(iii) Maidstone Street, and
(iv) Montana Avenue,
Plan M-553;
- (o) part of,
(i) lots 168 to 179, both inclusive,
(ii) lots 186, 207 and 213,
(iii) lots 188 to 205, both inclusive,
(iv) Privet Road,
(v) Montana Avenue,
(vi) Springview Avenue,
(vii) Maidstone Street, and
(viii) Highview Avenue,
registered plan 3649;
- (p) all of,
(i) lots 167, 183, 184, 185, 208, 209, 210,
211, 214, 215, 216 and 217, and
(ii) two-foot reserves,
registered plan 3649;
- (q) part of,
(i) lots 1, 2, 3, 4, 5, 6, 7, 8, 11, 12, 13, 14,
16 and 17,
(ii) Dalbeattie Avenue,
(iii) Langside Avenue,
(iv) Wendell Avenue,
(v) Pelmo Crescent,
(vi) Wardlaw Avenue, and
(vii) Pellatt Avenue,
registered plan 2372;
- (r) part of lots 21 and 22, Plan M-458;
- (s) part of,
(i) lots 6, 7, 8 and 9, and
(ii) Downsview Avenue,
registered plan 3871;
- (t) lands dedicated for highway purposes by,
(i) registered plan 2322, 3191, 3871 and
2053, and
(ii) Plan M-458;
- (u) part of,
(i) lots 9 and 10, in each of concessions 2,
3 and 4, and
(ii) Lot 10, Concession 5,
west of Yonge Street; and
- (v) part of the road allowance between,
(i) concessions 1 and 2 (Bathurst Street),
(ii) concessions 2 and 3 (Dufferin Street),
(iii) concessions 3 and 4 (Keele Street),
(iv) concessions 4 and 5 (Jane Street),
west of Yonge Street,
and being those portions of the King's Highway
coloured red and illustrated on Department of High-
ways plan P-2770-501, filed in the office of the Registrar
of Regulations at Toronto as No. 338.

THE PLANNING ACT

O. Reg. 8/64.
 Restricted Areas—
 Teck Township-Englehart Area.
 Made—January 13th, 1964.
 Filed—January 17th, 1964.

**ORDER MADE UNDER
 THE PLANNING ACT**

1. Ontario Regulation 153/62 is amended by adding thereto the following sections:

1a. Registered Plan M-114, District of Timiskaming, is designated as a plan of subdivision which shall be deemed not to be a registered plan of subdivision for the purposes of subsection 1 of section 26 of *The Planning Act*.

.

7a. Notwithstanding any other provision contained in this Order, lots 43 to 46 both inclusive, 92 to 97 both inclusive, 120 to 138 both inclusive, 150 to 170 both inclusive, 208 to 241 both inclusive, 269 to 306 both inclusive, 313 to 420 both inclusive, 432, 439 to 464 both inclusive, 476 to 484 both inclusive, and 537 to 540 both inclusive, all according to Registered Plan M-114, District of Timiskaming, may be used for residential purposes if,

(a) any building lot so used has an area of at least 9,000 square feet; and

(b) residential buildings are located not less than 10 feet from the side line or rear line of any building lot and not less than fifteen feet from any other building.

Dated at Toronto, this 13th day of January, 1964.

J. W. SPOONER,
Minister of Municipal Affairs.

(95) 4

THE POWER COMMISSION ACT

O. Reg. 9/64.
 Pension Plan.
 Made—December 11th, 1963.
 Approved—December 30th, 1963.
 Filed—January 17th, 1964.

**REGULATION MADE UNDER
 THE POWER COMMISSION ACT**

1. Subsection 1 of section 21 of Regulation 491 of Revised Regulations of Ontario, 1960, as amended by section 1 of Ontario Regulation 212/62, is further amended by striking out "\$65" in the eighth line and inserting in lieu thereof "\$75".

2. This Regulation comes into force on the 1st day of January, 1964.

**THE HYDRO-ELECTRIC POWER COMMISSION
 OF ONTARIO:**

W. R. STRIKE,
Chairman.

E. B. EASSON,
Secretary.

Dated at Toronto, the 11th day of December, 1963.

(96) 4

THE LOAN AND TRUST CORPORATIONS ACT

O. Reg. 10/64.
 Approved Trust Companies.
 Made—January 16th, 1964.
 Filed—January 17th, 1964.

**REGULATION MADE UNDER
 THE LOAN AND TRUST CORPORATIONS ACT**

1.—(1) Item 3 of the Schedule to Regulation 413 of Revised Regulations of Ontario, 1960, as remade by Ontario Regulation 51/62, is revoked and the following substituted therefor:

3. Canada Permanent Trust Company

(2) Item 5 of the said Schedule is revoked.

(3) Item 7 of the said Schedule is revoked and the following substituted therefor:

7. Eastern & Chartered Trust Company

(98) 4

THE HIGHWAY TRAFFIC ACT

O. Reg. 11/64.
 Load Limits.
 Made—January 16th, 1964.
 Filed—January 17th, 1964.

**REGULATION MADE UNDER
 THE HIGHWAY TRAFFIC ACT**

1.—(1) The provisions of subsections 4 and 5 of section 54 of the Act are declared to be applicable to those parts of the King's Highway described in Schedule 1.

(2) The provisions of subsections 4, 5 and 6 of section 54 of the Act shall extend and apply to those parts of the King's Highway described in Schedule 2 from the 1st day of March, 1964 to the 31st day of May, 1964, both inclusive.

(3) Where a highway is referred to in Schedule 1 or 2 by number, the reference is to that part of the King's Highway that is known thereby.

2. Ontario Regulations 13/63 and 40/63 are revoked.

Schedule 1

Item Number	Number of the King's Highway	Parts of the King's Highway
1	4	from Durham to Flesherton
2	6	from Warton to Tobermory
3	7A	from Highway No. 35 to Highway No. 115
4	9	from Highway No. 50 to Schomberg
5	18A	All
6	19	from Kintore to a point situated 4 miles south of Highway No. 7
7	21	from Goderich to a point situated 6 miles north of Goderich

Item Number	Number of the King's Highway	Parts of the King's Highway
8	25	from Ospringe to Acton
9	33	from Bath to the Eastern Terminal of the Glenora-Adolphus-town Ferry
10	38	from Hartington to Highway No. 7
11	41	from Highway No. 7 to Erinsville
12	42	from Westport to Forthton
13	43	from Winchester to Smith's Falls
14	47	from the north limits of the Village of Stouffville to Highway No. 12
15	48	from 5.2 miles north of junction of Highway No. 47 and Highway No. 48 to Highway No. 12
16	50	from the north limits of Metropolitan Toronto to 1.6 miles south of the Village of Bolton, and from 1.0 miles north of the Village of Bolton to Highway No. 9
17	52	from Highway No. 2 to Highway No. 5, from Highway No. 8 to Highway No. 97 and from Highway No. 97 north to Wellington-Wentworth County Line
18	54	from $\frac{1}{4}$ mile south of Highway No. 2 to Highway No. 6
19	59	from Norfolk County Road No. 22 to New Long Point Provincial Park
20	77	from Leamington to junction of Highway No. 98
21	80	from Alvinston to the County Road leading to Walkers Corners
22	81	from Highway No. 22 to Highway No. 7
23	86	from Highway No. 7 to a point situate $5\frac{1}{2}$ miles east of Elmira
24	89	from junction of Highway No. 23 to junction of Highway No. 87
25	91	from Duntroon to Stayner
26	95	All
27	96	All
28	97	from Plattsville to Oxford-Waterloo County Line and from Highway No. 8 (Galt) to Highway No. 6 (Freelton)
29	99	from Dundas to Highway No. 24
30	133	from Highway No. 401 to a point situate $\frac{1}{2}$ mile south of Highway No. 2
31	136	from Highway No. 24 to Orangeville
32	...	Bathurst Street in the Township of Vaughan, County of York, from the northerly limits of Metropolitan Toronto to Highway No. 7

Schedule 2

All that part of the King's Highway lying in that part of Ontario north of the line formed by the Severn River, Highway No. 69 from Washago to Highway No. 12, Highway No. 12 from Highway No. 69 to Highway No. 7 north of Sunderland, Highway No. 7 from Highway No. 12 to Perth, Highway No. 7 from Perth to Highway No. 7B, Highway No. 7B to Highway No. 29 and Highway No. 29 to Arnprior, excepting thereout the following:

1. Highway No. 7B,

- (a) from the westerly limits of Lindsay to the junction of Highways No. 7, No. 7B and No. 35;
- (b) from the south limits of Lindsay to the junction of Highways No. 7, No. 7B, No. 35 and No. 35B;
- (c) from Fowlers Corner to the north limits of Peterborough;
- (d) Lansdowne Street (formerly Highway No. 7) from junction of Highway No. 28 to west limits of Peterborough;
- (e) from east limits of Peterborough to east junction of Highways No. 7 and No. 7B.

2. Highway No. 11,

- (a) from Severn to the south end of the North Bay By-Pass;
- (b) the North Bay By-Pass;
- (c) from the north end of the North Bay By-Pass to Atikokan;
- (d) from Fort Frances to Rainy River.

3. Highway No. 11B,

- (a) from north limits of North Bay to North Bay By-Pass;
- (b) from south limits of North Bay to Highway No. 11;
- (c) from Highway No. 11 south of Huntsville to Highway No. 11 north of Huntsville;
- (d) from Highway No. 11 south of Cobalt to Highway No. 11 north of New Liskeard.

4. Highway No. 17 from Arnprior to Manitoba border.

5. Highway No. 17B from north limits of North Bay to North Bay By-Pass.

6. Highway No. 28,

- (a) from junction of Highway No. 7 to Peterborough west limits;
- (b) from Peterborough to Lakefield.

7. Highway No. 60 from junction of Highway No. 11B to Algonquin Park Headquarters.

8. Highway No. 63 from North Bay to Anita Avenue, municipal Township of Widdifield.

9. Highway No. 66 from Highway No. 11 to Quebec border.

10. Highway No. 67 from Highway No. 11 to Iroquois Falls.

11. Highway No. 68 from Highway No. 17 to Birch Island.

12. Highway No. 69 from Highway No. 103 to Val Caron.

- 13. Highway No. 69B from east limits of Parry Sound to south junction of Highways No. 69 and No. 69B and from north limits of Parry Sound (Isabella Street) to north junction of Highways No. 69 and No. 69B.
- 14. Highway No. 101,
 - (a) from Matheson to Timmins;
 - (b) from Highway No. 17 to Wawa.
- 15. Highway No. 103 from Port Severn to Footes Bay.
- 16. Highway No. 108 from Highway No. 17 to Quirke Lake.
- 17. Highway No. 112 from Highway No. 11 to Highway No. 66.
- 18. Highway No. 123 from Highway No. 11 to the Airport.
- 19. Highway No. 526 from Highway No. 69 to Britt.
- 20. Highway No. 536 from Highway No. 17 to Creighton.
- 21. Highway No. 544 from Sudbury to junction of Highway No. 544A.
- 22. Highway No. 544A from junction of Highway No. 544 to Levack.
- 23. Highway No. 545 from Capreol to Milnet.
- 24. Highway No. 550 from Korah Road to junction of Highway No. 565.
- 25. Highway No. 558 from Highway No. 11 to Highway No. 11B in the Town of Haileybury.
- 26. All Highway No. 565.
- 27. All Highway No. 627.

(99) 4

THE BRUCELLOSIS ACT

O. Reg. 12/64.
 General.
 Made—January 16th, 1964.
 Filed—January 20th, 1964.

**REGULATION MADE UNDER
 THE BRUCELLOSIS ACT**

1. Clause *a* of section 6 of Form 2 to Regulation 41 of Revised Regulations of Ontario, 1960 is revoked and the following substituted therefor:

- (a) in the case of vaccinations of calves in a county or in the Provisional County of Haliburton, for the first calf \$2 and for each additional calf \$1;
- (aa) in the case of vaccinations of calves in a territorial district, for the first calf \$3 and for each additional calf \$1;

2. Section 1 applies to agreements made after this Regulation comes into force and to any agreement made after the 1st day of April, 1961 and before the date on which this Regulation comes into force where the agreement provides for a remuneration in the amount referred to in section 1.

(100) 4

THE MILK INDUSTRY ACT

O. Reg. 13/64.
 Fluid Milk—Classes and Containers.
 Made—January 10th, 1964.
 Approved—January 16th, 1964.
 Filed—January 20th, 1964.

**REGULATION MADE UNDER
 THE MILK INDUSTRY ACT**

1. Section 4 of Regulation 431 of Revised Regulations of Ontario, 1960 is revoked and the following substituted therefor:

4.—(1) Containers used for packaging fluid milk products designated in section 2 for retail sales shall be in the following sizes:

- 1. Half-pint.
- 2. Pint.
- 3. Quart or multiple thereof.

(2) Subsection 1 does not apply to,

- (a) containers used for packaging fluid milk products for the purpose of sale or distribution to pupils in schools;
- (b) containers in sizes of less than pint used for packaging fluid milk products for the purpose of sale in coin-operated dispensing equipment where the net weight of the contents is shown on the label of the container;
- (c) containers used for packaging fluid milk products in sizes of less than quarter-pint;
- (d) containers used for packaging fluid milk products mentioned in items 3, 4, 5, 9 and 14 of section 2.

(3) Where fluid milk products are packaged for a purpose mentioned in clause *a* or *b* of subsection 2, no person shall sell or distribute the fluid milk products for any other purpose.

THE MILK INDUSTRY BOARD OF ONTARIO:

G. A. MCCAGUE,
Chairman.

A. J. NYHOLT,
Secretary.

Dated at Toronto, this 10th day of January, 1964.

(101) 4



Publications Under The Regulations Act

February 1st, 1964

THE FINANCIAL ADMINISTRATION ACT

O. Reg. 14/64.
Permit for Living Accommodation.
Made—January 7th, 1964.
Approved—January 16th, 1964.
Filed—January 20th, 1964.

REGULATION MADE UNDER THE FINANCIAL ADMINISTRATION ACT

1. Where public property is made available to a civil servant for living accommodation, the occupation shall be on the terms and conditions set out in the permit to occupy in Form 1, and the permit may be signed by the deputy minister for the department to which the public servant belongs or by a person designated by him.

Form 1

The Financial Administration Act

PERMIT TO OCCUPY No.

.....hereinafter called the "employee" is hereby permitted and authorized to occupy the premises commonly known as.....subject to the following terms and conditions:

1. The employee shall occupy the said premises only while he is required by the Department of..... to carry out the duties of..... at.....
2. The employee, while occupying the said premises, shall pay to the Treasurer of Ontario,
 - (a) an accommodation charge of \$.....per month;
 - (b) a services charge, if any, of \$.....per month.

Details of the services, if any, being supplied to the premises will be given to the employee.

It is understood and agreed that the above charges and services may be reviewed, adjusted and revised by the Deputy Minister, from time to time, upon written notice. The notice shall be attached to and become part of this Permit.

The employee hereby authorizes the deduction from his salary of any payments due under this Permit.

3. The employee agrees at all times to abide by the terms and conditions set forth in Schedule "A" attached to and forming part of this Permit and by such other terms and conditions designated by the Deputy Minister and duly communicated to the employee as being applicable to these premises and by any statutory regulations pertaining to accommodation supplied to public servants of the Province of Ontario.
4. The employee shall be responsible for any damage to the premises and appurtenances thereto caused by any act, omission or negligence of the employee,

his family or by any other person who enters the premises with his or their permission. The employee shall not be responsible for ordinary wear and tear.

5. The employee will diligently perform such maintenance responsibilities as are further agreed upon.
6. The premises are to be used for single family residential purposes only, for the benefit of the employee and his immediate family. No part of the premises shall be used or occupied by any other person. The Deputy Minister, for cause, may refuse occupancy to any member of the employee's family or may terminate such occupancy.
- 7.—(1) The Deputy Minister may cancel this Permit at any time and without prior notice to the employee or his family. In the event of such cancellation, however, the Deputy Minister in writing may allow the employee and his family to continue to occupy the premises, subject to all the terms and conditions of this Permit, for a further period of time of not less than 30 days. This extended period of occupancy shall commence on the date upon which the notice is sent by registered mail or delivered personally to the employee or any adult member of his family or personal representative, as the case may be, and the employee and all members of his family shall vacate the premises on or before the termination of this extended period of time.

(2) Notwithstanding subsection 1, if in the opinion of the Deputy Minister the employee has been guilty of serious misconduct, the Deputy Minister may require the employee and his family to vacate the premises within a period of time less than 30 days. A written notice to this effect shall be sent by the Deputy Minister to the employee or to any adult member of his family or his personal representative, either by registered mail or by personal service, setting out the reasons therefor and the date upon which the premises must be vacated.

8. This Permit may be revoked by noncompliance with the terms and conditions enumerated above or with any other terms, conditions or regulations applicable to the said property.
9. This Permit is revoked if the employee dies, retires, abandons his position, resigns or transfers or is transferred to any other position in the public service or if the employee transfers or is transferred to other living accommodation provided by the Province.
10. The employee shall allow inspection of the premises by an authorized officer of the Department or the Civil Service Commission at any reasonable time.
11. The effective date of occupation for the purposes of this Permit is to be the.....day of....., 19....

Dated at....., this.....day of....., 19....

.....
Deputy Minister of the Department of
.....

THE EMPLOYEE SHOULD KNOW WHICH SERVICES AND MAINTENANCE PROVISIONS APPLY TO THE PREMISES

I have read and understand the terms of this Permit and the Schedule attached hereto and agree to abide by such terms and conditions. I hereby authorize and direct that such money as may from time to time be properly payable to the Treasurer of Ontario in regard to the said accommodation charge and services charge be deducted from my salary.

.....
Employee

Schedule A

1. The employee shall at all times keep the premises in a proper state of cleanliness and shall dispose of all garbage and ashes in accordance with instructions issued on the authority of the Deputy Minister and at such time as he is required to vacate the premises it shall be left in good condition suitable for occupancy.
2. Without the written consent of the Deputy Minister the employee shall not,
 - (a) permit any sign, advertisement or notice to be inscribed or painted upon or affixed to any part of the lands or exterior of the premises;
 - (b) keep in or about the premises any animal, livestock or poultry;
 - (c) remove any stove or refrigerator supplied with the property for which set monthly charges prevail;
 - (d) make or cause to be made any addition or alteration to the building or premises.
3. The employee shall not,
 - (a) use or permit the use of the premises in contravention of any Statute of Canada or of Ontario;
 - (b) deface any part of the premises and shall exercise care in moving furniture and furnishings so as to prevent the marking of floors, walls or ceilings of the premises;
 - (c) obstruct any sidewalks, driveways, halls, entrances, stairways or passages or use same for any purpose other than for ingress and egress;
 - (d) permit the escape of any water or other liquid so as to damage the premises;
 - (e) use the water closets or other water apparatus for any purpose other than those for which they were constructed or installed;
 - (f) do, make or permit on the premises any noise or nuisance disturbing to other persons;
 - (g) do or permit anything to be done in or about the premises or bring into or keep anything therein which will constitute a dangerous fire hazard nor contravene any fire safety laws or any regulations of the local municipality or any other statute or by-law.
4. The Deputy Minister shall have the right to make such other and further reasonable terms and conditions including the revocation or cancellation of any written consent in respect of any terms, conditions or rules herein above set out or added to this Permit as in his opinion may from time to time be necessary for the safety, care and cleanliness of the premises and for preservation of order

therein and, upon notification thereof to the employee, the same shall in addition to these terms and conditions more particularly herein set out be kept and observed by the employee, his family, visitors, guests, servants and agents.

JAMES N. ALLAN,
Treasurer of Ontario.

(120)

5

THE PUBLIC SERVICE ACT, 1961-62

O. Reg. 15/64.

General.

Made—January 10th, 1964.

Approved—January 16th, 1964.

Filed—January 21st, 1964.

REGULATION MADE UNDER
THE PUBLIC SERVICE ACT, 1961-62

1. Ontario Regulation 190/62 is amended by adding thereto the following section:

10a.—(1) The hours of work per week which shall be performed by civil servants of the classifications set out,

(a) in Schedule 3, shall be 36¼ hours;

(b) in Schedule 4, shall be 40 hours;

(c) in Schedule 5, shall be 44 hours; and

(d) in Schedule 6, shall vary in accordance with the requirements of the classification but shall not be less than 36¼ hours.

(2) Where the duties of a civil servant require,

(a) that he work more than the number of hours per week prescribed under subsection 1 or 3 at regularly recurring times of the year; or

(b) that the number of hours per week be normally irregular,

the average weekly number of hours prescribed under subsection 1 or 3 shall be computed as a weekly average over one year.

(3) Notwithstanding subsection 1, a deputy minister may, with the approval of the Commission, designate any position in his department set out in Schedule 3, 4 or 5 as one for which the duties require fewer or more hours per week than that prescribed for the position under subsection 1.

(4) The annual rate of salary fixed for the classification of a civil servant in a position designated by his deputy minister under subsection 3 and for whom a daily attendance record is maintained under subsection 1 of section 6, shall be increased or reduced proportionately to the variation in hours by multiplying the quotient obtained by dividing the difference between the number of hours of work per week prescribed by subsection 1 and the number of hours he is called upon to work per week under subsection 3 by the period prescribed by subsection 1.

2. Ontario Regulation 190/62 is further amended by adding thereto the following schedules;

Schedule 3

Accommodation Officer 1
 Accommodation Officer 2
 Accountant 1
 Accountant 2
 Accountant 3
 Accountant 1, Savings Office
 Accountant 2, Savings Office
 Accountant 3, Savings Office
 Accounting Machine Operator
 Accounting Machine Supervisor
 Administrative Secretary
 Assistant Accountant
 Assistant Head Operator, Telephone Exchange
 Assistant Manager, Savings Office
 Assistant Postmaster
 Assistant Registrar 1, Supreme Court of Ontario
 Assistant Registrar 2, Supreme Court of Ontario
 Assistant Supervisor of Electrical Devices
 Audit Clerk 1
 Audit Clerk 2
 Auditor, Criminal Justice Accounts

Cartographer 1
 Cartographer 2
 Cartographer 3
 Chief Photo Processor
 Clerical Stenographer 1
 Clerical Stenographer 2
 Clerical Stenographer 3
 Clerical Stenographer 4
 Clerical Stenographer 5
 Clerical Typist 1
 Clerical Typist 2
 Clerical Typist 3
 Clerical Typist 4
 Clerk 1
 Clerk 2
 Clerk 3
 Clerk 1, General
 Clerk 2, General
 Clerk 3, General
 Clerk 4, General
 Clerk 5, General
 Clerk Messenger 1
 Clerk Messenger 2
 Clerk Stenographer 1
 Clerk Stenographer 2
 Clerk Typist 1
 Clerk Typist 2
 Clerk and Senior Legislative Attendant
 Comptometer Operator 1
 Comptometer Operator 2
 Computer Technician, Trainee
 Computer Technician 1
 Computer Technician 2

Dental Assistant
 Dental Hygienist
 Dental Technician
 Document Examiner, Trainee
 Document Examiner 1
 Document Examiner 2
 Draftsman 1
 Draftsman 2
 Draftsman 3
 Draftsman, Tracer
 Driver Examiner (Probationary)
 Driver Examiner 1

Editor 1, Department of Mines
 Executive Secretary to the Chief Director

Filing Clerk 1
 Filing Clerk 2

Head Operator, Telephone Exchange

Immigration Counsellor
 Information Clerk
 Instrument Repairman 1
 Instrument Repairman 2
 Instrument Repairman, Foreman

Junior Accounting Machine Operator
 Junior Commercial Artist
 Junior Draftsman
 Junior Office Appliance Operator
 Junior Printing Machine Operator

Laboratory Assistant
 Laboratory Attendant 1
 Laboratory Attendant 2
 Laboratory Technician 1
 Laboratory Technician 2
 Laboratory Technician 3
 Land Titles Clerk
 Ledgerkeeper
 Library Assistant 1
 Library Assistant 2

Mining Recorder

Nurse 1, Clinic
 Nurse 2, Clinic

Office Appliance Operator 1
 Office Appliance Operator 2
 Operator, Telephone Exchange

Photo Processor
 Photogrammetrist 1
 Photogrammetrist 2
 Photogrammetrist 3
 Photographer 1
 Photographer 2
 Photographer 3
 Photo-Mechanical Technician 1
 Photo-Mechanical Technician 2
 Placement Officer
 Postal Clerk 1
 Postal Clerk 2
 Postal Clerk 3
 Postal Clerk 4
 Principal Audit Clerk
 Principal Clerk
 Printing Estimator
 Printing Machine Operator
 Printing Machine Supervisor
 Projectionist 1
 Projectionist 2
 Public Health Nurse 1
 Public Health Nurse 2

Radiation Technician
 Reception Centre Supervisor
 Receptionist
 Recording Officer
 Review Officer 1

Secretary 1
 Secretary 2
 Secretary 3
 Secretary 4
 Secretary 5
 Secretary 1
 Secretary 2
 Secretary, Board of Parole
 Secretary to Chairman, Ontario Municipal Board
 Secretary to Comptroller of Finances
 Secretary to Deputy Minister
 Secretary to Secretary of the Cabinet
 Secretary to the Lieutenant Governor
 Secretary to the Minister
 Secretary to the Prime Minister
 Secretary to the Provincial Auditor
 Secretary to the Speaker
 Senior Audit Clerk
 Senior Clerk
 Senior Clerk Stenographer
 Senior Clerk Typist
 Senior Filing Clerk
 Senior Land Titles Clerk
 Senior Ledgerkeeper
 Senior Office Appliance Operator
 Senior Placement Officer
 Senior Usher and Messenger

Stenographic Reporter
 Superintendent, Cable Testing Laboratory
 Supervisor, Reproduction Unit
 Supervisor, Telegraph Office
 Systems Programmer 1
 Systems Programmer 2

Tabulating Equipment Supervisor 1
 Tabulating Equipment Supervisor 2
 Tabulating Equipment Supervisor 3
 Tabulating Machine Operator 1
 Tabulating Machine Operator 2
 Tabulating Machine Operator 3
 Tax Auditor 1
 Tax Auditor 2
 Telephone Operator 1
 Telephone Operator 2
 Teletype Operator 1
 Teletype Operator 2
 Teller 1
 Teller 2
 Teller 3
 Teller Accountant
 Traffic Devices Designer
 Travel Counsellor
 Typist 1
 Typist 2
 Typist 3
 Typist 4

Usher and Messenger

X-Ray Instructor
 X-Ray Technician 1
 X-Ray Technician 2
 X-Ray Technician, Apprentice
 X-Ray Technician Supervisor
 X-Ray Unit Operator 1
 X-Ray Unit Operator 2
 X-Ray Unit Supervisor 1
 X-Ray Unit Supervisor 2

Schedule 4

Activity Therapy Attendant
 Air Engineer
 Airframe Finisher
 Animal Attendant 1
 Animal Attendant 2
 Arboriculturist 1
 Assistant Garage Superintendent, Parliament Buildings
 Assistant Plant Superintendent, Air Service
 Assistant Superintendent of Police Garage
 Attendant 1
 Attendant 2
 Attendant Supervisor

Baker
 Baker 1
 Baker 2
 Barber
 Blacksmith
 Boat Captain
 Bookbinder 1
 Bookbinder 2
 Bridge Operator
 Broadcasting Technician
 Buildings Maintenance Superintendent 1
 Buildings Maintenance Superintendent 2
 Buildings Superintendent 1
 Buildings Superintendent 2
 Buildings Superintendent 3
 Buildings Superintendent 4
 Bush Foreman
 Butcher
 Butcher 1
 Butcher 2

Canteen Operator 1
 Canteen Operator 2
 Captain, Ontario Reformatory
 Caretaker 1
 Caretaker 2

Carpenter
 Chief Provincial Bailiff
 Child Care Assistant 1
 Child Care Assistant 2
 Child Care Worker 1
 Child Care Worker 2
 Child Care Worker 3
 Cleaner
 Cleaner and Helper
 Cleaning Supervisor
 Communications Technician 1
 Communications Technician 2
 Composer
 Conservation Officer 1
 Conservation Officer 2
 Conservation Officer 3
 Construction Inspector
 Cook 1
 Cook 2
 Cook 1
 Cook 2
 Cook 3
 Corporal, Department of Reform Institutions
 Custodial Officer 1
 Custodial Officer 2
 Custodial Officer 3
 Custodial Officer 4
 Custodial Officer 5
 Custodial Officer 6
 Custodial Officer 7

Deckhand
 Dining Hall Supervisor
 Dispensary Assistant
 Driver 1
 Driver 2

E. E. G. Technician 1
 E. E. G. Technician 2
 E. E. G. Technician 3
 Electrician
 Electronics Repairman
 Electronics Technician
 Elevator Attendant
 Elevator Attendant
 Engineer's Assistant 1
 Engineer's Assistant 2
 Engineer's Assistant 3
 Engineer's Assistant 4
 Engineer's Assistant 5
 Equipment Spray Painter

Ferry Captain
 Ferry Mate
 Fireman
 Fish Culturist 1
 Fish Culturist 2
 Fish Culturist 3
 Fisheries Assistant 1
 Fisheries Assistant 2
 Fisheries Assistant 3
 Forest Ranger 1
 Forest Ranger 2
 Forest Ranger 3

Garage Attendant
 Garage Attendant Supervisor
 Garage Superintendent, Parliament Buildings
 Gardener 1
 Gardener 2
 Guard

Hairdresser 1
 Hairdresser 2
 Hairdresser 1
 Hairdresser 2
 Hatchery Assistant
 Head Animal Attendant
 Head Cook
 Head Gardener
 Head Herdsman
 Head Horseman
 Head Houseman
 Head Laundress

Head Matron
 Head Poultryman
 Head Seamstress
 Head Shepherd
 Head Supervisor, Ontario Training School
 Herdsman 1
 Herdsman 2
 Helper, Food Service
 Highway Construction Inspector 1
 Highway Construction Inspector 2
 Highway Construction Inspector 3
 Highway Construction Inspector 4
 Highway Construction Inspector 5
 Highway Equipment Instructor 1
 Highway Equipment Instructor 2
 Highway Equipment Instructor 3
 Highway Equipment Operator 1
 Highway Equipment Operator 2
 Highway Equipment Operator 3
 Highway Equipment Operator 4
 Highway Equipment Supervisor 1
 Highway General Foreman 1
 Highway General Foreman 2
 Highway Labour Foreman
 Highway Mechanic Foreman
 Highway Patrolman 1
 Highway Patrolman 2
 Highway Patrol Supervisor
 Highway Services Supervisor
 Hospital Aid 1
 Hospital Aid 2
 Hospital Aid 3
 Hospital Attendant 1
 Hospital Attendant 2
 Hospital Attendant 3
 Hospital Attendant 4
 Housefather 1
 Housefather 2
 Housekeeper
 Housekeeper 1
 Housekeeper 2
 Housekeeper 3
 Housekeeper 4
 Houseman
 Housemother 1
 Housemother 2
 Houseparent 1
 Houseparent 2

 Industrial Officer 1
 Industrial Officer 2
 Industrial Officer 3
 Industrial Officer 4
 Industrial Officer 5
 Industrial Plant Manager 1
 Industrial Plant Manager 2
 Industrial Plant Manager 3
 Industrial Shop Foreman 1
 Industrial Shop Foreman 2
 Industrial Shop Foreman 3
 Industrial Shop Sub-Foreman

 Jailer 1
 Jailer 2
 Janitress

 Kitchen Porter

 Labourer
 Landscape Crewman
 Laundress
 Laundress 1
 Laundress 2
 Laundryman
 Laundry Supervisor 1
 Laundry Supervisor 2
 Laundry Worker
 Laundry Worker 1
 Laundry Worker 2
 Laundry Worker 3
 Lieutenant, Department of Reform Institutions
 Lineman
 Linotype Operator
 Lockmaster

 Maid
 Maid 1, Food Service
 Maid 2, Food Service
 Maintenance Bricklayer
 Maintenance Carpenter
 Maintenance Carpenter, Foreman
 Maintenance Electrician
 Maintenance Electrician, Foreman
 Maintenance Foreman
 Maintenance Foreman, Toll Bridge
 Maintenance Machinist
 Maintenance Machinist, Foreman
 Maintenance Mason
 Maintenance Mechanic, Helper
 Maintenance Mechanic, Improver
 Maintenance Mechanic, Journeyman
 Maintenance Painter and Decorator
 Maintenance Painter and Decorator, Foreman
 Maintenance Plasterer
 Maintenance Plasterer, Foreman
 Maintenance Plumber
 Maintenance Plumber, Foreman
 Maintenance Sheet Metal Worker
 Maintenance Steamfitter
 Maintenance Supervisor, Ontario Hospital
 Maintenance Supervisor, Toll Bridge
 Maintenance Welder
 Map Mounting Supervisor
 Marine Engineer
 Marine Oiler
 Matron 1
 Matron 2
 Matron 3
 Matron 1
 Matron 2
 Matron 3
 Mechanic 1
 Mechanic 2
 Mechanic Foreman
 Mine Rescue Equipment Technician
 Mine Rescue Station Superintendent
 Motor Vehicle Operator

 Nurse 1
 Nurse 2
 Nurse Aid 1
 Nurse Aid 2
 Nurse Aid 3
 Nurse 1, General
 Nurse 2, General
 Nurse 3, General
 Nurse 1, Nursing Education
 Nurse 2, Nursing Education
 Nurse Instructress 1
 Nurse Instructress 2
 Nurse Supervisor
 Nursing Assistant

 Occupational Therapy Assistant

 Parking Attendant
 Parking Attendant
 Pasteurizer
 Pasteurizer
 Patrolman, Ontario Hospital
 Physical Instructor
 Plot Foreman
 Plot Supervisor
 Porter and Messenger
 Poultryman 1
 Poultryman 2
 Pressman
 Provincial Bailiff
 Provincial Bailiff 1
 Provincial Bailiff 2

 Radio and T. V. Repairman
 Radio Operator 1 (Without Certificate)
 Radio Operator 2 (With Certificate)
 Radio Operator (Civilian) Ontario Provincial Police
 Radio Telephone Operator
 Recreational Supervisor, Ontario Hospital
 Reforestation Aid 1
 Reforestation Aid 2

Reforestation Foreman 1
 Reforestation Foreman 2
 Reforestation Technician
 Residence Supervisor
 Residence Supervisor 1
 Residence Supervisor 2

School Aid, Ontario Hospital
 Seamstress
 Seamstress 1
 Seamstress 2
 Senior Attendant
 Senior Bridge Operator
 Senior Ferry Captain 1
 Senior Ferry Captain 2
 Senior Fireman
 Senior Marine Engineer
 Senior Matron
 Senior Supervisor, Ontario Training School
 Sergeant, Department of Reform Institutions
 Shoe Repairer
 Shoe Repairer
 Sign Painter, Foreman
 Sign Painter, Helper
 Sign Painter, Improver
 Sign Painter, Journeyman
 Sign Painter Supervisor
 Stationery Engineer 1
 Stationery Engineer 2
 Stationery Engineer 3
 Stationery Engineer 4
 Stationery Engineer 5
 Stationery Supervisor
 Store Manager
 Superintendent of Police Garage
 Supervising Gardener
 Supervising Herdsman
 Supervisor of Electrical Crews
 Supervisor, Ontario Training School
 Supply Assistant 1
 Supply Assistant 2
 Supply Assistant 3
 Supply Supervisor 1
 Supply Supervisor 2
 Supply Supervisor 3
 Survey Technician 1
 Survey Technician 2
 Survey Technician 3
 Survey Technician 4
 Survey Technician 5

Tailor
 Tailor
 Teamster
 Toll Captain 1
 Toll Captain 2
 Toll Collector
 Traffic Patrolman 1, Department of Highways
 Traffic Patrolman 2, Department of Highways
 Traffic Patrol Supervisor, Department of Highways
 Trade Instructor 1
 Trade Instructor 2
 Trade Instructor 3
 Training School Supervisor 1
 Training School Supervisor 2
 Training School Supervisor 3
 Training School Supervisor 4
 Training School Supervisor 5
 Training School Supervisor 6
 Transport Driver

Upholsterer
 Upholstery Repairer

Watchman
 Watchman
 Water Level Control Supervisor

Zone Painting Supervisor

Schedule 5

Cadet, Ontario Provincial Police
 Constable

Constable (Probationary)
 Corporal, Ontario Provincial Police

Detective

Schedule 6

Access Roads Manager
 Access Roads Superintendent
 Accountant 4
 Accountant 5
 Accountant 6
 Accountant, Supreme Court of Ontario
 Administrative Officer, Department of Highways
 Administrative Trainee
 Adviser, Secondary School Correspondence Courses
 Adviser in Psychology
 Advisory Counsel 1
 Advisory Counsel 2
 Advisory Counsel 3
 Agent General for the Province of Ontario in Great Britain
 Agricultural Officer 1
 Agricultural Officer 2
 Agricultural Officer 3
 Agricultural Officer 4
 Agricultural Representative 1
 Agricultural Representative 2
 Agricultural Representative 3
 Apprenticeship Counsellor
 Apprenticeship Standards Officer
 Arboriculturist 2
 Archivist 1
 Archivist 2
 Archivist of Ontario
 Assistant, Agricultural Colleges
 Assistant Chief Architect
 Assistant Chief Attendant
 Assistant Chief Auditor, Ontario Securities Commission
 Assistant Chief Credit Union Examiner
 Assistant Chief Elevator Inspector
 Assistant Chief Inspector, Factory Inspection Branch
 Assistant Chief, Mining Lands Branch
 Assistant Commissioner, Ontario Provincial Police
 Assistant Community Programmes Adviser
 Assistant Comptroller, Department of Health
 Assistant Comptroller of Accounts
 Assistant Comptroller of Revenue
 Assistant Crown Attorney 1
 Assistant Crown Attorney 2
 Assistant Crown Attorney 3
 Assistant Crown Attorney 4
 Assistant Deputy Attorney General
 Assistant Deputy Minister, Administration, Department of Highways
 Assistant Deputy Minister, Community Planning
 Assistant Deputy Minister, Department of Agriculture
 Assistant Deputy Minister, Department of Labour
 Assistant Deputy Minister, Department of Lands and Forests
 Assistant Deputy Minister, Engineering, Department of Highways
 Assistant Deputy Minister, Municipal Administration
 Assistant Deputy Minister, Municipal Finance
 Assistant Director, Apprenticeship Branch
 Assistant Director, Emergency Measures Organization
 Assistant Director, Geological Branch
 Assistant Director, Savings Office Branch
 Assistant Director, Succession Duty Branch
 Assistant Director, Theatres Branch
 Assistant Director of Conciliation Services
 Assistant Director of Municipal Finance
 Assistant Director of Nursing
 Assistant Examiner of Surveys
 Assistant Inspector of Legal Offices
 Assistant Manager, Electronic Computing Centre
 Assistant Master, Supreme Court of Ontario
 Assistant Professor
 Assistant Property Administrator
 Assistant Property Valuator
 Assistant Provincial Auditor
 Assistant Registrar, Department of Education
 Assistant Registrar, Federated Colleges
 Assistant Secretary of the Treasury Board

Assistant Sulphur Fumes Arbitrator	Chief Industrial Development Officer
Assistant Superintendent, Business Administration, Department of Education	Chief Industrial Health Counsellor
Assistant Superintendent, Department of Education	Chief Inspector, Department of Transport
Assistant Superintendent 1, Department of Reform Institutions	Chief Inspector, Energy Resources (Inspection Services)
Assistant Superintendent 2, Department of Reform Institutions	Chief Inspector, Energy Resources (Drilling & Produc- tion)
Assistant Superintendent, Ontario School for the Blind, Ontario School for the Deaf	Chief Inspector, Factory Inspection Branch
Assistant Technical Adviser	Chief Inspector, Fire Marshal's Office
Assistant Treasury Board Analyst	Chief Inspector, Ontario Provincial Police
Assistant to the Deputy Minister, Department of Health	Chief Inspector of Boilers
Associate Deputy Minister, Treasury Department	Chief Inspector of Prisons
Associate Professor	Chief Inspector of Signs and Buildings Permits
Athletics Commissioner	Chief Inspector of Surveys
Athletics Supervisor and Dean of Men	Chief Inspector of Tourist Establishments
Audiological Services Adviser	Chief Instructor and Extension Specialist
Audit Accountant	Chief Instructor, Emergency Measures Organization
Auditor, Office of the Inspector of Legal Offices	Chief Instrument Repairman
Auditor 1, Ontario Securities Commission	Chief Investigator, Ontario Securities Commission
Auditor 2, Ontario Securities Commission	Chief, Mental Health Branch
Biologist 1	Chief, Mining Lands Branch
Biologist 2	Chief Nurse Instructress
Biologist 3	Chief Photogrammetrist
Buildings Maintenance Superintendent 3	Chief Property Agent
Buildings Maintenance Superintendent 4	Chief, Provincial Parks
Bursar 1	Chief Psychologist
Bursar 2	Chief Purchasing Officer
Bursar 3	Chief Research Scientist, Agriculture
Bursar 4	Chief Sanitary Inspector
Bursar 5	Chief Specification Editor
Business Administrator, Office of the Public Trustee	Chief Stationary Engineer 1
Cartographer 4	Chief Stationary Engineer 2
Cartographer 5	Chief Stationary Engineer 3
Cartographer 6	Chief Stationary Engineer 4
Cartographer 7	Chief Stationary Engineer 5
Casualty Actuary	Chief Supreme Court Reporter
Central Stores Supervisor	Chief, Timber
Chairman, Board of Examiners of Operating Engineers	Chief of Contracts
Chairman, Civil Service Commission	Chief of Fire Services Division
Chairman, Industry and Labour Board	Chief of Plans and Specifications
Chairman, Medical Advisory Board	Chief of Plans and Specifications
Chairman, Ontario Energy Board	Child Care Training Supervisor
Chairman, Ontario Highway Transport Board	Child Welfare Supervisor
Chairman, Ontario Labour Relations Board	Citizenship Liaison Officer (Trainee)
Chairman, Ontario Municipal Board	Citizenship Liaison Officer 1
Chairman, Parole Board	Citizenship Liaison Officer 2
Chairman, Public Service Superannuation Board	Citizenship Training Adviser
Chairman, Training Schools Advisory Board	Civil Service Commission Officer 1
Chaplain 1	Civil Service Commission Officer 2
Chaplain 2	Civil Service Commission Officer 3
Check Pilot	Claims Engineer
Chef 1	Clerk 6, General
Chef 2	Clerk 7, General
Chief Accountant 1	Clerk of the Executive Council
Chief Accountant 2	Clerk of the Legislative Assembly and Chief Election Officer
Chief Accountant 3	College Security Officer
Chief Arboriculturist	Commercial Artist 1
Chief Architect, Department of Public Works	Commercial Artist 2
Chief Attendant	Commercial Artist 3
Chief Audit Accountant 1	Commissioner, Ontario Energy Board
Chief Audit Accountant 2	Commissioner, Ontario Provincial Police
Chief Audit Accountant 3	Commissioner for Highway Safety
Chief Auditor, Ontario Securities Commission	Communications Officer, Emergency Measures Or- ganization
Chief Auditor of Revenue	Communications Supervisor
Chief Child Care Worker	Communications Technician 3
Chief Clerk	Community Planner 1
Chief College Security Officer	Community Planner 2
Chief, Conservation Authorities Branch	Community Planner 3
Chief Credit Union Examiner	Community Planner 4
Chief Designer	Community Planner 5
Chief Director of Education	Community Planner 6
Chief Elevator Inspector	Community Planner 7
Chief Estate Assessor	Community Programmes Adviser
Chief Estates Officer	Community Programmes Representative
Chief Examiner	Community Programmes Supervisor
Chief Fire Prevention Officer	Comptroller and Chief Accountant, Department of Lands and Forests
Chief, Fish and Wildlife	Comptroller, Department of Health
Chief, Forest Protection	Comptroller of Accounts
Chief Hospitals Tax Inspector	Comptroller of Revenue
	Computer Programmer, Trainee
	Computer Programmer 1
	Computer Programmer 2

Computer Programmer 3	Deputy Superintendent of Insurance and Chief Examiner
Computer Technician 3	Deputy Vice-Chairman, Ontario Labour Relations Board
Computer Technician 4	Designer 1, Department of Public Works
Conciliation Officer 1	Designer 2, Department of Public Works
Conciliation Officer 2	Detective Sergeant
Conciliation Officer 3	Dietitian 1
Conservation Officer 4	Dietitian 2
Conservation Officer 5	Dietitian 3
Conservation Officer 6	Director, Advertising Branch
Conservationist 1	Director, Agricultural Research Institute
Conservationist 2	Director, Apprenticeship Branch
Conservationist 3	Director, Attorney General's Laboratory
Conservationist 4	Director, Child Welfare Branch
Construction Safety Officer	Director, Day Nurseries Branch
Construction Safety Supervisor	Director, Department of Education, Special Services
Construction Superintendent 1	Director, Department of Health
Construction Superintendent 2	Director, Department of Public Welfare
Construction Superintendent 3	Director, Department of Public Works
Cook 4	Director, Emergency Measures Organization
Cook 5	Director, Energy Resources (Drilling & Production)
Cook 6	Director, Energy Resources (Inspection Services)
Co-ordinator of Press Relations	Director, Environmental Sanitation Branch
Court Reporter Apprentice	Director, Gasoline Tax Branch
Court Reporter 1	Director, Geological Branch
Court Reporter 2	Director, Government Accounting
Credit Union Examiner 1	Director, Historic Restorations
Credit Union Examiner 2	Director, Horticultural Experiment Station
Crown Attorney 1	Director, Hospitals Tax Branch
Crown Attorney 2	Director, Housing Branch
Crown Attorney 3	Director, Human Rights Commission
Crown Attorney for the City of Toronto and the County of York	Director, Medical Statistics
Curriculum and Standards Officer, Technological and Trades Training	Director, Municipal Administration Branch
	Director, Municipal Assessment Branch
	Director, Municipal Auditing and Accounting Branch
Dairy Herd Improvement Fieldman	Director, Ontario Police College
Day Nurseries Supervisor	Director, Ontario Securities Branch
Dean of Agriculture	Director, Planning and Design Branch, Department of Highways
Dean of Household Science	Director, Publicity Branch
Dean of Residence, Ontario School for the Deaf	Director, Retail Sales Tax Branch
Dean of Veterinary Science	Director, Savings Office Branch
Dean of Women and Student Counsellor	Director, Securities Branch
Dentist 1	Director, Security Transfer Tax Branch
Dentist 2	Director, Services Branch, Department of Highways
Deputy Assistant Superintendent, Department of Reform Institutions	Director, Student Affairs, Federated Colleges
Deputy Attorney General	Director, Succession Duty Branch
Deputy Commissioner, Ontario Provincial Police	Director, Theatres Branch
Deputy Crown Attorney	Director, Tourist Industry Development Branch
Deputy Director, Industrial Development Branch	Director, Tourist Promotion and Information Branch
Deputy Director, Ontario Police College	Director, Western Ontario Agricultural School and Experimental Farm
Deputy Director of Titles	Director, Women's Bureau
Deputy Fire Marshal	Director and Master of Titles
Deputy Local Master of Titles and Registrar of Deeds 1	Director of Administrative Services
Deputy Local Master of Titles and Registrar of Deeds 2	Director of Caretaking Services
Deputy Local Master of Titles and Registrar of Deeds 3	Director of Chaplain Services, Department of Reform Institutions
Deputy Master of Titles	Director of Citizenship
Deputy Minister, Department of Agriculture	Director of Companies
Deputy Minister, Department of Economics and Development	Director of Conciliation Services
Deputy Minister, Department of Education	Director of Coroners
Deputy Minister, Department of Energy Resources	Director of Dental Services
Deputy Minister, Department of Health	Director of Economics Research
Deputy Minister, Department of Highways	Director of Energy Studies
Deputy Minister, Department of Labour	Director of English Instruction
Deputy Minister, Department of Lands and Forests	Director of Finance and Personnel
Deputy Minister, Department of Mines	Director of French Instruction
Deputy Minister, Department of Municipal Affairs	Director of Industrial Development
Deputy Minister, Department of Public Welfare	Director of Insurance Branch
Deputy Minister, Department of Public Works	Director of Labour Standards
Deputy Minister, Department of Reform Institutions	Director of Library Services and Public Relations Officer
Deputy Minister, Department of Transport	Director of Maintenance and Industries
Deputy Minister, Department of Travel and Publicity	Director of Municipal Finance
Deputy Official Guardian	Director of Nursing 1
Deputy Provincial Secretary	Director of Nursing 2
Deputy Provincial Treasurer	Director of Ontario Fire College
Deputy Public Trustee	Director of Operations, Department of Lands and Forests
Deputy Registrar, Ontario Labour Relations Board	Director of Organization and Methods Service
Deputy Registrar 1, Ontario Securities Commission	Director of Pay Research
Deputy Registrar 2, Ontario Securities Commission	
Deputy Registrar-General	
Deputy Registrar of Motor Vehicles	
Deputy Registrar, Supreme Court of Ontario	

Director of Position Administration
 Director of Probation Services
 Director of Psychology, Department of Reform Institutions
 Director of Public Prosecutions
 Director of Recruitment and Examinations
 Director of Research, Department of Lands and Forests
 Director of Social Work, Department of Reform Institutions
 Director of Technical Services
 Director of Training and Development
 Director of Welfare Allowances
 District Construction Superintendent, District No. 7
 District Inspector, Ontario Provincial Police
 Driver Examiner 2
 Driver Examiner 3
 Driver Examiner 4

Economist 1
 Economist 2
 Economist 3
 Economist 4
 Economist 5
 Economist 6
 Editor 2, Department of Mines
 Electrical Services Supervisor
 Elementary School Inspector
 Engineer 1
 Engineer 2
 Engineer 3
 Engineer 4
 Engineer 5
 Engineer 6
 Engineer 7
 Engineer's Assistant 6
 Engineer's Assistant 7
 Engineer of Mines 1
 Engineer of Mines 2
 Engineer of Mines 3
 Engineer of Mines 4
 Epidemiologist
 Estate Assessor 1
 Estate Assessor 2
 Estates Officer 1
 Estates Officer 2
 Estimator and Quantity Surveyor 1
 Estimator and Quantity Surveyor 2
 Examiner 1, Department of Insurance
 Examiner 2, Department of Insurance
 Examiner 3, Department of Insurance
 Examiner 1, Ontario Labour Relations Board
 Examiner 2, Ontario Labour Relations Board
 Examiner of Reports and Designs (Boilers)
 Examiner of Surveys
 Examiner of Welding
 Executive Assistant to the Attorney General
 Executive Director, Department of Civil Service
 Executive Officer 1
 Executive Officer 2
 Executive Officer 3
 Executive Officer, Ontario Provincial Police
 Executive Officer (Press Relations)

Farm Foreman
 Farm Hand 1
 Farm Hand 2
 Farmer 1
 Farmer 2
 Farm Products Inspector 1
 Farm Products Inspector 2
 Farms Administrator
 Field Assistant 1
 Field Assistant 2
 Field Assistant 3
 Fieldman 1
 Fieldman 2
 Fieldman 3
 Fieldman 4
 Field Officer, Ontario Labour Relations Board
 Field Representative (Probationary)
 Field Representative
 Financial Comptroller, Department of Highways
 Firearms Examiner
 Fire Marshal

Fire Prevention Officer
 Fire Safety Inspector
 Fire Services Instructor 1
 Fire Services Instructor 2
 Food Services Administrator
 Forensic Research Associate
 Forest Protection Supervisor 1
 Forest Protection Supervisor 2
 Forest Ranger 4
 Forest Ranger 5
 Forester 1
 Forester 2
 Forester 3
 Forester 4
 Forester 5
 Fur Management Supervisor

General Manager, Ontario-St. Lawrence Development Commission
 General Municipal Counsel
 General Superintendent of Mechanical Services
 Geologist 1
 Geologist 2
 Guard Commander

Head Audit Clerk
 Head Clerk
 Head Teacher
 Highway Construction Inspector 6
 Highway Construction Supervisor
 Highway District Engineer 1
 Highway District Engineer 2
 Highway Equipment Instructor 4
 Highway Equipment Supervisor 2
 Highway Maintenance Supervisor
 Highway Planning Analyst 1
 Highway Planning Analyst 2
 Highway Planning Analyst 3
 Highway Planning Analyst 4
 Historian
 Home Economist 1
 Home Economist 2
 Home Economist 3
 Horticulturist
 Hospital Attendant 5
 Hospital Attendant 6
 Hospital Attendant 7
 Hospital Business Administrator 1
 Hospital Business Administrator 2
 Hospital Business Administrator 3
 Hospital Business Administrator 4 (a)
 Hospital Business Administrator 4 (b)
 Hospitals Tax Inspector
 Housing Analyst
 Human Rights Commission Officer

Immigration Officer
 Indian Development Officer
 Industrial Development Officer 1
 Industrial Development Officer 2
 Industrial Superintendent
 Inspector, Criminal Investigations Branch
 Inspector, Ontario Provincial Police
 Inspector (Probationary), Department of Transport
 Inspector, Operating Engineers' Branch
 Inspector, Real Estate Agencies
 Inspector, Savings Office Branch
 Inspector 1, Department of Labour
 Inspector 2, Department of Labour
 Inspector 1, Department of Transport
 Inspector 2, Department of Transport
 Inspector 3, Department of Transport
 Inspector 1, Energy Resources (Drilling & Production)
 Inspector 2, Energy Resources (Drilling & Production)
 Inspector 1, Energy Resources (Inspection Services)
 Inspector 2, Energy Resources (Inspection Services)
 Inspector 1, Fire Marshal's Office
 Inspector 2, Fire Marshal's Office
 Inspector of Boilers (Probationary)
 Inspector of Boilers
 Inspector of Caissons
 Inspector of Elevators
 Inspector of Grain Elevators

Inspector of Legal Offices
 Inspector of Mechanical Services
 Inspector of Mine Rescue and Recovery Training
 Inspector of Mining Claims
 Inspector of Prisons
 Inspector of Signs and Buildings Permits 1
 Inspector of Signs and Buildings Permits 2
 Inspector of Surveys 1
 Inspector of Surveys 2
 Inspector of Surveys 3
 Inspector of Theatres
 Inspector of Tourist Establishments 1
 Inspector of Tourist Establishments 2
 Inspector of Tourist Establishments 3
 Inspector of Vital Statistics
 Instructor, Department of Agriculture
 Instructor, Emergency Measures Organization
 Instructor 1, Ontario Forest Ranger School
 Instructor 2, Ontario Forest Ranger School
 Instructor 3, Ontario Forest Ranger School
 Instructor 1, Ontario Police College
 Instructor 2, Ontario Police College
 Instructor 1, Provincial Institutes of Trades
 Instructor 2, Provincial Institutes of Trades
 Instructor 3, Provincial Institutes of Trades
 Instructor 1, Teachers' College
 Instructor 2, Teachers' College
 Instructor and Extension Specialist 1
 Instructor and Extension Specialist 2
 Instructor in Professional Training
 Interior Designer 1
 Interior Designer 2
 Interior Design Supervisor
 Investigator 1, Ontario Securities Commission
 Investigator 2, Ontario Securities Commission
 Investigator of Estates

 Laboratory Director, Class "A" Laboratory
 Laboratory Director, Class "B" Laboratory
 Laboratory Director, Class "C" Laboratory
 Laboratory Technician 4
 Labour Standards Officer
 Laundry Worker 4
 Laundry Worker 5
 Laundry Worker 6
 Laundry Worker 7
 Laundry Worker 8
 Lecturer, Department of Agriculture
 Legal Officer 1
 Legal Officer 2
 Legal Officer 3
 Legal Officer 4
 Legal Officer 5
 Legislative Counsel
 Legislative Editor
 Librarian 1
 Librarian 2
 Librarian 3
 Librarian, Legislative Library
 Local Master of Titles and Registrar of Deeds 1
 Local Master of Titles and Registrar of Deeds 2
 Local Master of Titles and Registrar of Deeds 3
 Local Master of Titles and Registrar of Deeds 4

 Manager, Data Processing Branch
 Manager, Electronic Computing Centre
 Manager, Immigration Branch
 Manager of Operations, Department of Highways
 Manager 1, Savings Office
 Manager 2, Savings Office
 Manager 3, Savings Office
 Manager 4, Savings Office
 Manager, Temiskaming Testing Laboratory
 Master 1, Provincial Technical Institute
 Master 2, Provincial Technical Institute
 Master 3, Ryerson Institute of Technology
 Master 1, Supreme Court of Ontario
 Master 2, Supreme Court of Ontario
 Master, Teachers' College
 Materials Control Supervisor
 Member, Board of Censors
 Member, Board of Censors and Censor of Advertising
 Member, Board of Examiners of Operating Engineers
 Member, Industry and Labour Board

Member, Ontario Highway Transport Board
 Member, Ontario Municipal Board
 Member, Parole Board
 Mine Assessor and Financial Adviser
 Mining Commissioner
 Municipal Legislative Counsel
 Museums Adviser

Neurophysiology Technician
 Nurse 3, Clinic
 Nurse, Field Service
 Nurse 4, General
 Nurse 5, General
 Nurse 6, General
 Nurse 7, General
 Nurse 3, Nursing Education
 Nurse 4, Nursing Education
 Nutritionist 1
 Nutritionist 2

Occupational Therapist 1
 Occupational Therapist 2
 Occupational Therapist 3
 Occupational Therapy Supervisor
 Official Guardian
 Organization and Methods Assistant
 Organization and Methods Officer 1
 Organization and Methods Officer 2
 Organization and Methods Officer 3
 Organizer, X-Ray Surveys

Personalty Valuator 1
 Personalty Valuator 2
 Personnel Assistant 1
 Personnel Assistant 2
 Personnel Officer 1
 Personnel Officer 2
 Personnel Director 1
 Personnel Director 2
 Personnel Director 3
 Personnel Director 4
 Pharmacist
 Physician 1
 Physician 2
 Physician 3
 Physician 4 (a)
 Physician 4 (b)
 Physician 4 (c)
 Physician 5
 Physician 6
 Physician 7
 Physician 8

Pilot
 Plant Superintendent, Air Service
 Position Specification Writer
 Postmaster, House of Assembly Post Office
 President of Federated Colleges
 Principal, Kemptville Agricultural School
 Principal, Provincial Institutes of Trades
 Principal, Provincial Technical Institute
 Principal, Ryerson Institute of Technology
 Principal, Teachers' College
 Printer of Foreign Languages
 Printing Contracts Supervisor
 Probation Officer 1
 Probation Officer 2
 Probation Officer 3
 Professor
 Professor and Head of Department
 Programme Administrator, Technological and Trades Training
 Property Administrator
 Property Agent (Probationary)
 Property Agent 1
 Property Agent 2
 Property Agent 3
 Property Officer 1
 Property Officer 2
 Property Officer 3
 Property Officer 4
 Property Officer 5
 Property Officer 6
 Property Valuator

Provincial Assayer
 Provincial Co-ordinator, Emergency Measures Organization
 Psychological Assistant
 Psychologist 1
 Psychologist 2
 Psychologist 3
 Public Health Nursing Counsellor
 Public Relations Officer 1
 Public Relations Officer 2
 Public Relations Officer 3
 Public Trustee
 Purchasing Officer 1
 Purchasing Officer 2
 Purchasing Officer 3

Queen's Printer

Radiation Protection Physicist
 Regional Director, Department of Lands and Forests
 Regional Field Officer, Emergency Measures Organization
 Regional Sanitary Counsellor
 Regional Supply Supervisor
 Regional Welfare Administrator 1
 Regional Welfare Administrator 2
 Regional Welfare Administrator 3
 Regional Welfare Administrator 4
 Registrar, Department of Education
 Registrar, Federated Colleges
 Registrar, Office of the Mining Commissioner
 Registrar, Ontario Labour Relations Board
 Registrar, Ontario Securities Commission
 Registrar, Provincial Institutes of Trades
 Registrar, Ryerson Institute of Technology
 Registrar, Supreme Court of Ontario
 Registrar of Collection Agencies
 Registrar of Firearms
 Registrar of Insurance Brokers and Agents
 Registrar of Motor Vehicles
 Registrar of Real Estate and Business Brokers
 Registrar of Trade Schools
 Rehabilitation Counsellor
 Rehabilitation Officer 1, Department of Health
 Rehabilitation Officer 2, Department of Health
 Rehabilitation Officer 3, Department of Health
 Rehabilitation Officer 4, Department of Health
 Rehabilitation Officer 1, Reform Institutions
 Rehabilitation Officer 2, Reform Institutions
 Rehabilitation Officer 3, Reform Institutions
 Rehabilitation Officer 4, Reform Institutions
 Research Scientist 1, Agriculture
 Research Scientist 2, Agriculture
 Research Scientist 3, Agriculture
 Research Scientist 4, Agriculture
 Research Scientist 1, Lands and Forests
 Research Scientist 2, Lands and Forests
 Research Scientist 3, Lands and Forests
 Research Scientist 4, Lands and Forests
 Research Scientist 5, Lands and Forests
 Research Supervisor 1, Lands and Forests
 Research Supervisor 2, Lands and Forests
 Returning Officer, Ontario Labour Relations Board
 Review Officer 2

Safety Instruction Officer 1
 Safety Instruction Officer 2
 Safety Instruction Officer 3
 Sanitary Inspector 1
 Sanitary Inspector 2
 Scientist 1
 Scientist 2
 Scientist 3
 Scientist 4
 Scientist 5
 Secondary School Inspector
 Secondary School Teacher 1
 Secondary School Teacher 2
 Secondary School Teacher 3
 Secretary, Joint Advisory Council and Appeals Board
 Secretary, Ontario Municipal Board
 Secretary, Public Service Superannuation Board
 Secretary of the Cabinet

Section Supervisor 1, Department of Lands and Forests
 Section Supervisor 2, Department of Lands and Forests
 Security Transfer Tax Inspector 1
 Security Transfer Tax Inspector 2
 Senior Advisory Counsel
 Senior Air Engineer
 Senior Biologist
 Senior Deputy Master of Titles
 Senior Draftsman
 Senior Estates Assessor
 Senior Estates Officer
 Senior Farm Products Inspector
 Senior Field Representative
 Senior Geologist
 Senior Highway Equipment Supervisor
 Senior Inspector of Signs and Buildings Permits
 Senior Master, Supreme Court of Ontario
 Senior Planning Officer, Emergency Measures Organization
 Senior Property Agent
 Senior Public Health Nurse
 Senior Purchasing Officer
 Senior Radiation Protection Physicist
 Sergeant, Ontario Provincial Police
 Service Areas Manager
 Social Work Adviser
 Social Work Assistant
 Social Worker 1
 Social Worker 2
 Social Worker 3
 Social Worker 4
 Social Worker 5
 Special Services Inspector
 Specification Editor 1
 Specification Editor 2
 Speech Therapist
 Staff Inspector, Ontario Provincial Police
 Staff Sergeant, Ontario Provincial Police
 Statistician 1
 Statistician 2
 Statistician 3
 Statistician 4
 Student Counsellor, Federated Colleges
 Sulphur Fumes Arbitrator
 Superintendent, Asphalt Plant
 Superintendent, Business Administration, Department of Education
 Superintendent, Department of Education
 Superintendent 1, Department of Reform Institutions
 Superintendent 2, Department of Reform Institutions
 Superintendent 3, Department of Reform Institutions
 Superintendent 4, Department of Reform Institutions
 Superintendent 5, Department of Reform Institutions
 Superintendent, Ontario School for the Blind, Ontario School for the Deaf
 Superintendent of Communications
 Superintendent of Engineering Audits
 Superintendent of Equipment
 Superintendent of Insurance
 Superintendent of Pensions, Pension Commission of Ontario
 Superintendent of Supply
 Supervising Farm Products Inspector
 Supervising Inspector, Department of Labour
 Supervising Inspector, Energy Resources (Inspection Services)
 Supervising Probation Officer
 Supervising Property Valuator
 Supervising Psychologist, Department of Reform Institutions
 Supervising Teacher
 Supervisor of Education and Psychology, O. H. S. Orillia
 Supervisor of Electrical Devices
 Supervisor of Electrical Services
 Supervisor of Laboratories
 Supervisor of Laundries
 Supervisor of Location Drafting
 Supervisor of Mechanical Services
 Supervisor of Municipal Finance
 Supervisor of Nursing 1
 Supervisor of Nursing 2
 Supervisor of Probation Training

Supervisor of Racing
 Supervisor of Rehabilitation Training
 Supervisor of Staff Training
 Supervisor, Municipal Assessment (Probationary)
 Supervisor 1, Municipal Assessment
 Supervisor 2, Municipal Assessment
 Supervisor 3, Municipal Assessment
 Supervisor, Municipal Organization and Administration, Trainee
 Supervisor 1, Municipal Organization and Administration
 Supervisor 2, Municipal Organization and Administration
 Supervisor 3, Municipal Organization and Administration
 Supreme Court Reporter
 Survey Technician 6
 Surveyor
 Surveyor-General
 Systems Programmer 3

Tax Administrator 1
 Tax Administrator 2
 Tax Administrator 3
 Tax Administrator 4
 Tax Auditor 3
 Teacher 1
 Teacher 2
 Teacher 3
 Teacher 4
 Technical Adviser
 Technological and Trades Training Inspector
 Toll Supervisor
 Transport Despatcher
 Treasury Board Analyst 1
 Treasury Board Analyst 2

Veterinarian 1
 Veterinarian 2
 Veterinarian 3
 Vice-Chairman, Ontario Highway Transport Board
 Vice-Chairman, Ontario Labour Relations Board
 Vice-Chairman, Ontario Municipal Board
 Vice-Principal, Provincial Institutes of Trades
 Vice-Principal, Ryerson Institute of Technology
 Vice-Principal, Teachers' College
 Vocational Teacher 1, Ontario School for the Blind,
 Ontario School for the Deaf
 Vocational Teacher 2, Ontario School for the Blind,
 Ontario School for the Deaf
 Vocational Teacher 3, Ontario School for the Blind,
 Ontario School for the Deaf
 Vocational Teacher 4, Ontario School for the Blind,
 Ontario School for the Deaf
 Vocational Training Specialist

Welfare Allowances Officer
 Welfare Allowances Supervisor
 Welfare Field Worker (Probationary)
 Welfare Field Worker 1
 Welfare Field Worker 2
 Welfare Field Supervisor
 Welfare Institutions Supervisor

X-Ray Unit Senior Supervisor

3. This Regulation comes into force on the 1st day of January, 1964.

CIVIL SERVICE COMMISSION:

D. J. COLLINS,
Chairman.

Dated at Toronto, this 10th day of January, 1964.

(121)

5

THE DEPARTMENT OF EDUCATION ACT

O. Reg. 16/64.

General Legislative Grants.

Made—January 22nd, 1964.

Approved—January 23rd, 1964.

Filed—January 23rd, 1964.

REGULATION MADE BY THE MINISTER UNDER THE DEPARTMENT OF EDUCATION ACT GENERAL LEGISLATIVE GRANTS

INTERPRETATION

1. In this Regulation,

- (a) "provincial equalizing factor" means the factor determined by the Department of Municipal Affairs to adjust the local assessment of the whole or part of a municipality to the assessment to be used for grant purposes;
- (b) "rural municipality" means a township either with or without municipal organization, and unsurveyed territory;
- (c) "urban municipality" means a city, town or village; and
- (d) "year" means the period from and including the 1st day of January to and including the 31st day of December next following.

2. "Recognized extraordinary expenditure" and "net recognized current cost of operating" shall be subject to the approval of the Minister.

APPORTIONMENT

3. The general legislative grants for public schools, separate schools, continuation schools, high schools and vocational schools shall be,

- (a) apportioned and distributed to boards in accordance with this Regulation; and
- (b) applied to such school purposes as the board receiving a grant deems expedient.

CONTINGENCIES OF GRANTS

4. Where a board does not comply with the Acts administered by the Minister or the Regulations thereunder, the Minister may withhold the whole or any part of a grant payable until the board has taken the action necessary to correct the condition that caused the grant to be withheld

5.—(1) The grant payable under this Regulation shall be paid in the number of instalments and at the times designated by the Minister.

(2) Where in any year the amount voted by the Legislature for the grants under this Regulation is insufficient or more than sufficient to pay the grants in full, the Minister may make a *pro rata* reduction or increase, as the case may be.

PART 1

CORPORATION TAX ADJUSTMENT GRANT

APPLICATION

6. This Part applies to general legislative grants to elementary-school boards with respect to corporation assessment.

INTERPRETATION

7. In this Part,

- (a) "corporation assessment" has the same meaning as in *The Assessment Act*;
- (b) "commercial assessment" means,
- (i) the assessment of real property that is used as the basis for computing business assessment including the assessment for real property that is rented and occupied or used by the Crown in right of Canada or any province or any board, commission, corporation or other agency thereof, or by any municipal corporation or local board thereof,
 - (ii) business assessment, and
 - (iii) the assessment for mineral lands, railway lands, other than railway lands actually in use for residential and farming purposes, and pipe lines, and the assessment of telephone and telegraph companies; and
- (c) "residential and farm assessment" means the assessment for real property except the assessment for real property mentioned in subclauses i and iii of clause b.

GRANTS

8. The decimal fraction, correct to five places of decimals, of the non-corporation residential and farm assessment in a municipality as shown on the 1963 assessment roll supporting each elementary-school board in that municipality shall be determined by dividing its non-corporation residential and farm assessment by the total non-corporation residential and farm assessment in the municipality.

9.—(1) In a municipality where, according to the 1963 assessment roll, the corporation assessment is 5 per cent or more of the total assessment, there shall be calculated and, subject to subsection 2, allocated to each elementary-school board for purposes of section 11 and subsection 1 of section 13 the amount of assessment computed by multiplying the total corporation assessment in the municipality, as shown on the 1963 assessment roll, by the decimal fraction of the non-corporation residential and farm assessment supporting the board as determined in section 8.

(2) The amount of assessment in a municipality allocated to a board under subsection 1 shall be limited to the excess of the amount calculated for the board over the amount of corporation assessment in the municipality already supporting the board and shall be not less than zero.

10. The average mill rate, correct to three places of decimals, for public-school purposes in a municipality on commercial assessment, as shown on the 1961 assessment roll, shall be obtained by dividing the amount levied on commercial assessment for all public-school boards in the municipality by the total commercial assessment supporting public-school boards in the municipality and multiplying by 1,000.

11. A board to which assessment has been allocated under section 9 shall be paid a grant of the amount computed by multiplying the corporation assessment so allocated by the mill rate determined in section 10 and dividing by 1,000.

PART 2

ELEMENTARY AND SECONDARY SCHOOLS

APPLICATION

12. This Part applies to general legislative grants for elementary and secondary schools.

INTERPRETATION

13. In this Part,

(1) "Assessment" means,

- (a) the assessment of all property, including business assessment, rateable for purposes of the board in the area under its jurisdiction, as shown on the assessment roll on which taxes were levied for the preceding year, adjusted by the provincial equalizing factor;
- (b) where money is received by the board under section 35 of *The Assessment Act* or clause b of section 5 of Regulation 31 of Revised Regulations of Ontario, 1960, the amount equivalent to that which, if levied upon at the rate of real-property taxation on the ratepayers supporting the board, would result in taxation equal to the money so received by the board, adjusted by the provincial equalizing factor; and
- (c) the amount allocated to the board in respect of corporation assessment under section 9 adjusted by the provincial equalizing factor.

(2) "Assessment per class-room unit" means the quotient obtained by dividing the assessment determined under subsection 1 by the number of class-room units determined under clause a of subsection 13 for an elementary-school board, or under clause b of subsection 13 for a secondary-school board, as the case may be.

(3) "Class-room in operation" means a class-room used throughout each school day by pupils in the charge of a teacher, and where a class-room is used for half of each school day for kindergarten or other instructional purposes, the class-room is half a class-room in operation.

(4) "Cost of operating" means the sum of,

- (a) the total expenditures for the normal operation of the board for school purposes in the preceding year made by the board or on its behalf; and
- (b) debt charges payable in the current year by a board or on its behalf,

less,

- (c) debt charges payable in the preceding year by a board or on its behalf except where the debt charges payable in the preceding year were the final debt charges in respect of a debenture issued or capital loan obtained before the 1st day of January, 1951; and
- (d) revenue in the preceding year,

(i) from tuition fees,

(ii) from the Minister under Ontario Regulation 280/63 for the cost of education and of transportation,

(iii) from disposal of school equipment,

(iv) from insurance on school buildings and equipment destroyed or damaged, and

(v) in the case of an elementary-school board, from the portions designated by the Minister as the amounts deductible for grant purposes resulting from the sale or transfer of school buildings, or in the case of a secondary-school board, from disposal of school buildings.

(5) "Average daily attendance" means the quotient obtained by dividing the sum of the pupil days attended and additional days allowed for grant purposes in the preceding year by the number of legal teaching days in that year.

(6) "Average daily attendance for special subjects and services" means the number obtained,

(a) by multiplying the number of class-rooms in home economics and industrial arts operated by a board for a term in the preceding year in a school in which the Science, Technology, and Trades Branch had not been introduced by the factor set forth in column 2 in accordance with the average daily attendance of all pupils attending the school in the preceding year set opposite thereto in column 1 as follows:

COLUMN 1	COLUMN 2
Average daily attendance of school	FACTOR
Under 50	½
50 but under 100	1
100 but under 200	1½
200 but under 300	2
300 or more	2½

but where in the preceding year, the pupils of two or more schools operated by a board received instruction in industrial arts or home economics in one school operated by that board, the average daily attendance of those schools shall be added together for the purpose of this clause;

(b) by multiplying the number of departments of agriculture operated by a secondary-school board for a term in the preceding year by the factor set forth in column 2 in accordance with the average daily attendance of all pupils attending the school in the preceding year set opposite thereto in column 1 as follows:

COLUMN 1	COLUMN 2
Average daily attendance of school	FACTOR
Under 100	5
100 but under 200	7½
200 but under 300	10
300 or more	12½

(c) by multiplying the number of auxiliary classes or units operated or teachers employed by an elementary-school board for a term in the preceding year in column 1 by the factor set opposite thereto in column 2 as follows:

COLUMN 1	COLUMN 2
Auxiliary Classes, Units or Teachers	FACTOR
(i) hard-of-hearing class, hospital class, orthopaedic class, limited vision class, full-time home-instruction teacher	10
(ii) opportunity class, full-time speech-correction teacher	5
(iii) gifted-children class, institutional class, health class	1
(iv) school which used the services of an approved itinerant auxiliary teacher or teachers, and which is operated by the board in a municipality with a population under 25,000	1
(v) home-instruction unit, orthopaedic unit	1
(vi) limited vision unit	¼
(vii) opportunity unit in a school not served by an itinerant auxiliary teacher	¼

but,

(viii) the average daily attendance under subclause vii shall not exceed one-quarter per school per term, and

(ix) the average daily attendance under each of subclauses v, vi and vii shall not exceed fifteen for the board per term, and

(d) by multiplying the number of home-instruction units operated by a secondary-school board for a term in the preceding year by 1.

(7) "Average daily attendance" for purposes of the BASIC TAX RELIEF GRANT provided in subsection 1 of section 15 means the sum of,

(a) the average daily attendance of all pupils attending the schools under the jurisdiction of the board;

(b) the average daily attendance to which the board is entitled for special subjects and services under subsection 6; and

(c) the average daily attendance of pupils whose fees are payable by the board;

less,

(d) the average daily attendance of pupils whose fees are receivable from another board, from the Minister, or from Canada.

(8) "Average daily attendance" for purposes of the EQUALIZATION GRANT provided in subsection 2 of section 15 means,

(a) for an elementary-school board, the greater of,

(i) the sum of,

- A. the product of 30 and the number of class-room units determined in clause *a* of subsection 11, and
- B. the average daily attendance for special subjects and services provided in subsection 6, and

(ii) the sum of,

- A. the average daily attendance for purposes of the basic tax relief grant as defined in subsection 7, and
- B. in the case of a board of a larger unit of administration that operated a school in the preceding year, the lesser of,

- I. the product of 15 and the number of former sections or zones included in the area under the jurisdiction of the board in which it did not operate a school, and

- II. one-half of the excess of the average daily attendance of all pupils, including those whose fees are payable by the board, residing in the rural area under the jurisdiction of the board over the average daily attendance of pupils in the schools under the jurisdiction of the board whose fees are receivable from another board, from the Minister, or from Canada;

(b) for a secondary-school board, the sum of

- (i) the excess of the average daily attendance of all pupils attending the schools under the jurisdiction of the board over the average daily attendance of pupils whose fees are receivable from another board, from the Minister, or from Canada, but the excess shall be not less than 22,
- (ii) the average daily attendance to which the board is entitled for special subjects and services under subsection 6, and
- (iii) the average daily attendance of pupils whose fees are payable by the board.

(9) "Larger unit of administration" means a township school area or a combined separate-school zone.

(10) "Net recognized current cost of operating" means, Cost of Operating as defined in subsection 4 reduced by the following:

- (a) debt charges adjusted by the resident pupil factor provided in subsection 17;
- (b) capital expenditures from current funds adjusted by the resident pupil factor provided in subsection 17;

(c) expenditures for the transportation of pupils;

(d) 15 per cent of the expenditure in the preceding year for tuition fees payable to another board by a board, or on its behalf by another board, except where under a private act the tuition fees for a secondary-school pupil do not include either one or both of debt charges and capital expenditures from current funds;

(e) the lesser of,

- (i) the product of \$3 and the average daily attendance of all pupils enrolled at the schools in kindergarten to Grade 10, both inclusive, during the preceding year, and

- (ii) the expenditure in the preceding year for text books approved under paragraph 33 of subsection 1 of section 12 of the Act;

(f) the current basic tax relief grant provided in subsection 1 of section 15;

(g) the grant in respect of,

- (i) evening courses of study as provided in section 20,

- (ii) free instruction in home economics or industrial arts as provided in section 21,

- (iii) library books as provided in section 22,

- (iv) milk as provided in section 24,

- (v) municipal inspectorates as provided in section 25,

- (vi) Ontario School Trustees' Council Fees as provided in section 26,

- (vii) small schools as provided in section 28, and

- (viii) annexation or change in status as provided in section 34.

(11) "Number of class-room units" means,

(a) for an elementary-school board, the sum of,

- (i) where the average daily attendance of all pupils attending the schools under the jurisdiction of the board is 1,000 or more, the lesser of,

- A. the quotient, carried to one decimal place with that decimal digit being increased by one for any remainder, obtained by dividing by 30, the average daily attendance of all pupils attending the schools under the jurisdiction of the board less the average daily attendance of pupils whose fees are receivable from another board, from the Minister, from Canada, or from a parent or guardian,

- B. the number of class-rooms in operation on the first school-day of the current year, or

where the average daily attendance of all pupils attending the schools under the jurisdiction of the board is under 1,000, the greater of,

- A. the quotient, carried to one decimal place with that decimal digit being increased by one for any remainder, obtained by dividing by 30, the average daily attendance of all pupils attending the schools under the jurisdiction of the board less the average daily attendance of pupils whose fees are receivable from another board, from the Minister, from Canada, or from a parent or guardian, but the quotient as adjusted shall be not less than .1 for each month during which the board operated a school, and
- B. the lesser of,
- I. the number of class-rooms in operation on the first school-day of the current year, less the quotient, carried to one decimal place with that decimal digit being increased by one for any remainder, obtained by dividing by 30, the average daily attendance of all pupils whose fees are receivable from another board, from the Minister, from Canada, or from a parent or guardian, and
- II. the quotient, carried to one decimal place with that decimal digit being increased by one for any remainder, obtained by dividing by 20, the average daily attendance of all pupils attending the schools under the jurisdiction of the board less the average daily attendance of pupils whose fees are receivable from another board, from the Minister, from Canada, or from a parent or guardian,
- (ii) the quotient, carried to one decimal place with that decimal digit being increased by one for any remainder, obtained by dividing by 30, the average daily attendance of pupils whose fees are payable by the board, but for a board that does not operate a school the quotient as adjusted shall be not less than .05 for each month for which fees are payable, and
- (iii) for a board of a larger unit of administration that operated a school in the preceding year, the quotient, carried to one decimal digit with that decimal digit being increased by one for any remainder, obtained by dividing by 30, the lesser of,
- A. the product of fifteen and the number of former sections or zones included in the area under the jurisdiction of the board in which it did not operate a school, and
- B. one-half of the excess of the average daily attendance of all pupils, including those whose fees are payable by the board, residing in the rural area under the jurisdiction of the board over the average daily attendance of pupils in the schools under the jurisdiction of the board whose fees are receivable from another board, from the Minister, from Canada, or from a parent or guardian;
- (b) for a secondary-school board, the sum of,
- (i) the quotient, carried to one decimal place with that decimal digit being increased by one for any remainder, obtained by dividing by 22, the excess of the average daily attendance of all pupils attending the schools under the jurisdiction of the board over the average daily attendance of pupils whose fees are receivable from another board, from the Minister, from Canada, from a county, or from a parent or guardian, but the quotient as adjusted shall be not less than 1, and
- (ii) the quotient, carried to one decimal place with that decimal digit being increased by one for any remainder, obtained by dividing by 22, the average daily attendance of all pupils residing in the area under the jurisdiction of the board whose fees are payable by the board, but for a board that does not operate a school the quotient as adjusted shall be not less than .5.
- (12) "Number of class-room units for purposes of determining recognized extraordinary expenditure per class-room unit" means,
- (a) in the case of an elementary-school board, the number determined under subclauses i and ii of clause *a* of subsection 11; and
- (b) in the case of a secondary-school board, the number determined under clause *b* of subsection 11.
- (13) "Number of class-room units for purposes of determining assessment per class-room unit" means,
- (a) in the case of an elementary-school board, the number determined under clause *a* of subsection 11; and
- (b) in the case of a secondary-school board, the number determined under clause *b* of subsection 11.
- (14) "Recognized Cost of Operating" means, cost of operating as defined in subsection 4 increased by the amounts included in recognized extraordinary expenditure for debt charges, capital expenditures from current funds, and transportation and decreased by,
- (i) expenditures for transportation;
- (ii) debt charges payable in the current year adjusted by the resident pupil factor provided in subsection 17; and
- (iii) capital expenditures from current funds, adjusted by the resident pupil factor provided in subsection 17.
- (15) "Recognized extraordinary expenditure" means,
- (a) the portion approved by the Minister for grant purposes adjusted by the resident pupil factor provided in subsection 17 of,

- (i) debt charges payable in the current year by a board or on its behalf by a municipal council, and
- (ii) final debt charges payable in 1963 by an elementary-school board or on its behalf by a municipal council in respect of debentures issued or capital loans obtained before the 1st day of January, 1951;
- (b) the portion approved by the Minister for grant purposes adjusted by the resident pupil factor provided in subsection 17 of capital expenditures from current funds in the preceding year,
- (i) for new schools, for additions to schools, and for buses for the transportation of pupils,
- (ii) for structural alterations, new foundations, new basements, new stairways, new roofs, new floors, fire-escapes, fire-proofing furnace rooms, new heating-equipment, new lighting, new modern toilet accommodation, new water facilities, new fences, new film-projectors made by an elementary-school board, except where the school under the jurisdiction of the board is in an urban municipality having a population of 2,500 or more or is in a rural municipality having a population of 25,000 or more, and
- (iii) for new heating equipment, for new lighting, and for new sanitary-conveniences of a modern type, in schools already in operation made by a secondary-school board except where the average population of the municipalities within or partly within the secondary-school district, whether or not only part of any municipality is included in the district, is 3,000 or more;
- (c) the portion approved by the Minister for grant purposes of the expenditure made by a board in the preceding year for transportation of pupils to and from school except where the parent or guardian contributed directly to the cost of transportation; and
- (d) 15 per cent of the expenditure in the preceding year for tuition fees payable to another board by a board, or on its behalf by another board, except where under a private act the tuition fees for a secondary-school pupil do not include either one or both of debt charges and capital expenditures from current funds.

(16) "Recognized extraordinary expenditure per class-room unit" means the quotient, increased by 1 for any remainder, obtained by dividing the recognized extraordinary expenditure, determined in subsection 15, by the number of class-room units as determined in clause *a* of subsection 12 for an elementary-school board, or in clause *b* of subsection 12 for a secondary-school board, as the case may be.

(17) "Resident pupil factor" means the decimal fraction, correct to five places of decimals, obtained by dividing the sum of the average daily attendance of all pupils in the schools under the jurisdiction of a board and the average daily attendance of pupils whose fees are payable by the board, exclusive of the average daily attendance of pupils whose fees are receivable from another board, from the Minister, or from Canada, by the sum of the average daily attendance of all pupils in the schools under the jurisdiction of the board and the average daily attendance of pupils whose fees are

payable by the board, but for the purposes of this Regulation, where the fraction is .99 or more, it shall be 1.

RATES OF GRANT

BASIC TAX RELIEF GRANTS

14.—(1) For purposes of the Basic Tax Relief Grant,

- (a) the rate per pupil of average daily attendance shall be:
- (i) \$80 in the case of pupils enrolled in elementary schools,
- (ii) \$120 in the case of pupils enrolled in continuation schools,
- (iii) \$175 in the case of pupils enrolled in non-vocational courses in high schools, and
- (iv) \$250 in the case of pupils enrolled in vocational courses in secondary schools; and
- (b) the percentage rate shall be thirty-five.

EQUALIZATION GRANTS

(2) For purposes of the Equalization Grant the rates shall be,

- (a) in the case of an elementary-school board,
- (i) where the provincial equalized assessment per class-room unit is \$230,000 or more, one-tenth of 1 per cent, up to a maximum of 17 per cent, for each \$1,000 or fraction thereof by which the provincial equalized assessment per class-room unit falls below \$400,000, or
- (ii) where the provincial equalized assessment per class-room unit is under \$230,000, 17 per cent plus one-tenth of 1 per cent up to a maximum of 40 per cent, for each \$500 or fraction thereof by which the provincial equalized assessment per class-room unit falls below \$230,000; and
- (b) in the case of a secondary-school board, one-tenth of 1 per cent, up to a maximum of 55 per cent, for each \$2,000 or fraction thereof by which the provincial equalized assessment per class-room unit falls below \$1,260,000.

MAXIMUM EQUALIZATION GRANT

(3) For purposes of determining the Maximum Equalization Grant, the rate shall be 35 per cent plus the Equalization Rate determined in clause *a* of subsection 2 for an elementary-school board, or in clause *b* of subsection 2 for a secondary-school board, as the case may be.

GROWTH-NEED GRANT

(4) For purposes of the Growth-need Grant, provided in subsection 3 of section 16 the rate shall be,

- (a) in the case of an elementary-school board, the percentage determined by allowing one-tenth of 1 per cent for each \$50 or fraction thereof by which the recognized extraordinary expenditure per class-room unit, as determined in subsection 16 of section 13, exceeds \$500, but the percentage shall not exceed the lesser of,

- (i) 10 and,
 - (ii) the excess of 95 over the maximum equalization percentage rate as determined in subsection 3; and
- (b) in the case of a secondary-school board, the percentage determined by allowing one-tenth of 1 per cent for each \$25 or fraction thereof by which the recognized extraordinary expenditure per class-room unit, as determined in subsection 16 of section 13, exceeds \$1,000 but the percentage shall not exceed the lesser of,
- (i) 20 and,
 - (ii) the excess of 95 over the maximum equalization percentage rate, as determined in subsection 3.

AMOUNTS OF GRANT

FOR OPERATING PURPOSES

15.—(1) A board shall be paid a BASIC TAX RELIEF GRANT of the amount computed by multiplying its average daily attendance set forth in subsection 7 of section 13 by the rates set forth in subsection 1 of section 14.

(2) A board shall be paid, subject to subsections 3 and 4, an EQUALIZATION GRANT of the amount computed,

- (a) in the case of an elementary-school board, by deducting a sum calculated at eleven mills in the dollar upon the total provincial equalized assessment supporting the board as provided in subsection 1 of section 13 from the product of the average daily attendance provided in clause *a* of subsection 8 of section 13 and \$130; and
- (b) in the case of a secondary-school board, by deducting a sum calculated at seven mills in the dollar upon the total provincial equalized assessment supporting the board as provided in subsection 1 of section 13 from,
 - (i) the product of \$200 and the average daily attendance as provided in clause *b* of subsection 8 of section 13 of pupils enrolled in continuation schools,
 - (ii) the product of \$245 and the average daily attendance as provided in clause *b* of subsection 8 of section 13 of pupils enrolled in non-vocational courses in high schools, and
 - (iii) the product of \$300 and the average daily attendance as provided in clause *b* of subsection 8 of section 13 of pupils enrolled in vocational courses in secondary schools.

(3) In the case of an elementary-school board the amount provided in subsection 2 shall be not less than the amount computed by multiplying the average daily attendance provided in clause *a* of subsection 8 of section 13 by,

- (a) where the provincial equalized assessment per class-room unit is \$525,000 or more, \$10,
- (b) where the provincial equalized assessment per class-room unit is \$300,000 or more, but under \$525,000, \$10, plus 8c. up to the maximum of \$18, for each \$1,000 or fraction thereof by which the provincial equalized assessment per class-room unit falls below \$525,000,

- (c) where the provincial equalized assessment per class-room unit is \$250,000 or more, but under \$300,000, \$28, plus 20c. up to the maximum of \$10, for each \$1,000 or fraction thereof by which the provincial equalized assessment per class-room unit falls below \$300,000, or
- (d) where the provincial equalized assessment per class-room unit is under \$250,000, \$38, plus 10c. up to the maximum of \$19, for each \$1,000 or fraction thereof by which the provincial equalized assessment per class-room unit falls below \$250,000.

(4) The equalization grant payable to a board provided by subsection 2 shall not exceed the maximum equalization percentage set forth in subsection 3 of section 14 of its net recognized current cost of operating as provided in subsection 10 of section 13.

FOR CAPITAL PURPOSES

16.—(1) A board shall be paid a BASIC TAX RELIEF GRANT of the percentage set forth in clause *b* of subsection 1 of section 14 of its recognized extraordinary expenditure determined in subsection 15 of section 13.

(2) A board shall be paid an EQUALIZATION GRANT of the percentage set forth in clause *a* of subsection 2 of section 14 in the case of an elementary-school board, or in clause *b* of subsection 2 of section 14 in the case of a secondary-school board of its recognized extraordinary expenditure determined in subsection 15 of section 13.

(3) A board shall be paid a GROWTH-NEED GRANT of the percentage set forth in clause *a* of subsection 4 of section 14 in the case of an elementary-school board, or in clause *b* of subsection 4 of section 14 in the case of a secondary-school board of its recognized extraordinary expenditure determined in subsection 15 of section 13.

NEW BOARDS, BOARDS NOT OPERATING A SCHOOL AND BOARDS COMMENCING OPERATION OF A SCHOOL

17.—(1) In the year in which,

- (a) a new elementary-school board is established, other than a board assuming jurisdiction for school purposes of an area previously administered by another board; or
- (b) all or part of one or more municipalities not previously included in a high-school district is established as a high-school district; or
- (c) either a township or at least sixteen school-sections or former school-sections not previously included in a high-school district are added to an existing high-school district and the enrolment, on the last school-day of September preceding the addition, of resident secondary-school pupils in the area being added exceeds 20 per cent of the enrolment of resident secondary-school pupils in the existing high-school district;

and, provided that the newly-formed or enlarged board has not operated a school for a year, in the next two years thereafter, the average daily attendance and recognized extraordinary expenditure for the current year shall be used for the purposes of this Regulation.

(2) Subject to subsections 3, 4, and 6, where, for a period of three years, a board has not operated a school, the recognized extraordinary expenditure for the preceding year shall be used for the purposes of this Regulation, but shall not include an expenditure from current funds in the preceding year for a service received in the next preceding year, or years, upon which a grant has been paid.

(3) In the year in which a board commences operation of a school prior to the first school-day in September, provided that the board or any former board incorporated therein has not operated a school for a year, the average daily attendance and recognized extraordinary expenditure of the current year shall be used for the purposes of this Regulation.

(4) In the year in which a board commences operation of a school on or after the first school-day in September and in the year following, provided that the board or any former board incorporated therein has not previously operated a school, the average daily attendance and recognized extraordinary expenditure of the current year shall be used for the purposes of this Regulation.

(5) In each year following that in which a board has operated a school for a year, recognized extraordinary expenditure shall not include an expenditure from current funds in the preceding year for a service received in the next preceding year, or years, upon which a grant has been paid.

(6) An expenditure for debt charges or a capital expenditure from current funds shall not be included in recognized extraordinary expenditure for more than one year.

BOARDS APPOINTED UNDER SECTION 12 OF *The Public Schools Act*, UNDER SUBSECTION 5 OF SECTION 12 OR SUBSECTION 4 OF SECTION 51 OF *The Secondary Schools and Boards of Education Act*

18.—(1) In the case of a board appointed under subsection 1 of section 12 of *The Public Schools Act*, under subsection 5 of section 12 of *The Secondary Schools and Boards of Education Act*, or under subsection 4 of section 51 of *The Secondary Schools and Boards of Education Act*, "recognized cost" means the total expenditure from current revenue during the preceding year for the operation of the school or schools under the jurisdiction of the board, inclusive of tuition fees payable to any other board but exclusive of capital expenditures and expenditures for evening courses of study, textbooks, library books, milk, and rent, and exclusive of tuition fees received from any other board.

(2) The board so appointed shall be paid a grant of 50 per cent of the recognized cost as defined in subsection 1, but where the board operates a school in a sanatorium, a hospital or a centre for the treatment of cerebral palsy, the grant shall be 80 per cent of the instructional salaries, 50 per cent of the tuition fees payable to another board, and 50 per cent of the expenditures for transportation approved by the Minister for grant purposes.

TRANSFER OF SECTIONS, ZONES AND DISTRICTS

19.—(1) Where the whole of a school-section, of a separate-school zone, or of a secondary-school district is transferred from one board to another, the grant for the former board for the year of the transfer shall be calculated as though there had been no transfer and be paid to the latter board.

(2) Where part of a school-section, of a separate-school zone, or of a secondary-school district is transferred from one board to another and on the last school-day of September preceding the transfer, not more than 10 per cent of the number of pupils residing in the school-section, in the separate-school zone, or in the secondary-school district, or not more than 10 pupils, whichever is the lesser, resided in the part transferred, the grant for the year of the transfer shall be calculated as if there had been no transfer and be paid to the board from which the area has been detached.

(3) Where part of a school-section, of a separate-school zone, or of a secondary-school district is transferred from one board to another and on the last school-day of September preceding the transfer, more than 10 per cent of the pupils residing in the school-section,

in the separate-school zone, or in the secondary-school district, or more than 10 pupils, whichever is the lesser, resided in the part transferred, for the year of the transfer,

- (a) the grant shall be calculated as though there had been no transfer;
- (b) the portion of the grant calculated in respect of the debt charges levied exclusively either on the part remaining or on the part transferred shall be paid to the board of the school-section, of the separate-school zone, or of the secondary-school district in the part remaining or in the part transferred, as the case may be; and
- (c) the remainder of the grant calculated under clause a shall be paid to each board in the proportion that the number of pupils, including those whose fees are payable by the board, residing in the remaining part and residing in the part transferred, respectively, bears, on the last school-day of September preceding the transfer, to the number of pupils, including those whose fees are payable by the board, residing in the section, zone, or district being divided.

PART 3

STIMULATION GRANTS

EVENING COURSES OF STUDY

20.—(1) Subject to subsection 3, a board that operated evening courses of study approved by the Minister shall be paid a grant in respect of the lesser of,

- (a) the salary of each member of the teaching staff of the evening courses of study payable for the preceding year; and
- (b) the amount computed by multiplying \$6 by the number of hours of class-room instruction given by the teacher in the preceding year,

at the rate set forth in subsection 3 of section 14, but the rate shall be not less than 50 per cent and not greater than 80 per cent.

(2) A board that operated evening courses of study in English and Citizenship, or French and Citizenship, or both for new-comers to Canada shall be paid a grant of 90 per cent of the lesser of,

- (a) the salary of each member of the teaching staff that gave instruction in either of these subjects in the evening courses of study payable for the preceding year; and
- (b) the amount computed by multiplying \$6 by the number of hours of class-room instruction given in either of these subjects by the teacher in the preceding year.

(3) Salaries eligible for grant in subsection 2 shall not be included in the salaries referred to in subsection 1.

(4) In subsection 2 "new-comer to Canada" means a person who,

- (a) has been granted permanent admission into Canada under the *Immigration Act* (Canada); and
- (b) has not acquired Canadian Citizenship under the *Canadian Citizenship Act*,

but does not include a person who is in regular attendance in school.

FREE INSTRUCTION IN INDUSTRIAL ARTS OR HOME ECONOMICS TO NON-RESIDENT PUPILS

21. A board that provided free instruction in industrial arts or home economics in the preceding year to pupils resident in the area under the jurisdiction of another board shall be paid a grant of \$7.50 for each term for each non-resident pupil to whom free instruction was given.

LIBRARY BOOKS

22. The board of an elementary school shall be paid a grant of the lesser of,

- (a) the expenditure in the preceding year for library books recommended under clause *d* of subsection 2 of section 10 of the Act, and
- (b) the amount computed by multiplying \$1 by the average daily attendance of all pupils at its schools in kindergarten to Grade 10, both inclusive, during the preceding year.

LARGER UNITS OF ADMINISTRATION

23.—(1) The board of an elementary school shall, in the year preceding that in which it enters a larger unit of administration, be paid a grant of the lesser of,

- (a) \$300; and
- (b) the amount computed by multiplying \$20 by the average daily attendance in the preceding year of pupils, including those whose fees are payable by the board, resident in the rural area under its jurisdiction.

(2) A board of a larger unit of administration that on the first school day of the current year included two or more former school-sections or former separate-school zones shall be paid a grant of the lesser of,

- (a) \$500 for each former school-section or former separate-school zone; and
- (b) the amount computed by multiplying \$20 by the average daily attendance of pupils, including those whose fees are payable by the board, resident in the rural area under the jurisdiction of the board.

(3) A secondary-school board that operated a high school shall be paid a grant of \$150,

- (a) for each rural school-section;
- (b) for each rural union school-section;
- (c) and in the case of a township school area,
 - (i) for each former rural school-section, and
 - (ii) for each former rural union school-section

that is completely within the district under the jurisdiction of the board.

MILK

24. The board of an elementary school that provided milk for free distribution to pupils enrolled in the schools under its jurisdiction in the preceding year under the provisions of Regulation 96 of Revised Regulations of Ontario, 1960 shall be paid a grant of the lesser of,

- (a) 50 per cent of the expenditure for milk; and
- (b) the expenditure for milk less donations from any source received specifically for the purchase of milk.

MUNICIPAL INSPECTORATES

25. The board of a school-section that has been designated as a municipal inspectorate and that has employed a public-school inspector, or the board of a secondary-school district that has been designated as a municipal inspectorate for secondary-school purposes and that has appointed a secondary-school inspector shall be paid a grant at the rate provided in subsection 3 of section 14 in respect of the lesser of,

- (a) the salary of each inspector payable for the preceding year; and
- (b) the amount computed by multiplying \$800 by the number of months in the preceding year in which the inspector was employed.

ONTARIO SCHOOL TRUSTEES' COUNCIL FEES

26. A board shall be paid a grant at the rate provided in subsection 3 of section 14 in respect of the lesser of,

- (a) the expenditure for the membership fee in the Ontario School Trustees' Council and for the membership fee in one member association of the Ontario School Trustees' Council; and
- (b) the greater of,
 - (i) \$30, and
 - (ii) the amount computed by multiplying 15 cents by the average daily attendance of all pupils enrolled in the schools under its jurisdiction and of pupils whose fees are payable by the board, less the average daily attendance of pupils whose fees are receivable from another board, from the Minister, or from Canada.

SCHOOL SITES

27.—(1) A board that received title in fee simple, free of encumbrance, to a school site in the preceding year shall be paid a grant of 50 per cent of the lesser of,

- (a) the actual expenditure for the site; and
- (b) the assessment, subject to subsection 3, of the site as shown on the assessment roll on which taxes were levied for the year preceding the year in which the title was received by the board, adjusted by the provincial equalizing factor for that assessment roll.

(2) Where, in the preceding year, a board sold a school site, a deduction shall be made from the grant payable under this Regulation in the amount of 50 per cent of the assessment, subject to subsection 3, of the land as shown on the assessment roll on which taxes were levied for the year preceding the year in which the site was sold, adjusted by the provincial equalizing factor for that assessment roll.

(3) For the purpose of this section, the assessment shall be equal to the assessment of land of equal value in the municipality.

SMALL SCHOOLS

28.—(1) Where, in the preceding year, the average daily attendance of pupils enrolled in non-vocational courses in the schools under the jurisdiction of a secondary-school board is under 400, the board shall be paid a grant of the lesser of,

- (a) \$2,000; and
- (b) the amount computed by multiplying \$10 by the average daily attendance excluding the average daily attendance of pupils whose fees are receivable from another board, from the Minister, or from Canada.

(2) Where, in the preceding year, the average daily attendance of pupils enrolled in vocational courses in the schools under the jurisdiction of a secondary-school board is under 500, the board shall be paid a grant of the lesser of,

- (a) \$4,000; and
- (b) the amount computed by multiplying \$20 by the average daily attendance excluding the average daily attendance of pupils whose fees are receivable from another board, from the Minister, or from Canada.

TEXT BOOKS

29.—(1) The board of an elementary school shall be paid a grant of the lesser of,

- (a) the expenditure in the preceding year for text books approved under paragraph 33 of subsection 1 of section 12 of the Act; and
- (b) the amount computed by multiplying \$3 by the average daily attendance of all pupils enrolled at the schools in kindergarten to Grade 8, both inclusive, during the preceding year.

(2) A board shall be paid a grant of \$12 per pupil of average daily attendance of all pupils enrolled in the schools under its jurisdiction in Grades 9 and 10 during the preceding year.

PART 4

GRANTS FOLLOWING ANNEXATION AND CHANGE IN STATUS

30. This Part applies to grants following annexation and change of status.

31. In this Part,

- (a) "annexation" includes amalgamation;
- (b) "urban municipality" means a city, town or village with a population of 14,000 or more;
- (c) "non-urban municipality" means any municipality other than an urban municipality; and
- (d) "change in status" means a change from a non-urban municipality to an urban municipality as defined in clauses *b* and *c*.

32. Where the whole or part of a municipality is annexed to an urban municipality on or after the 1st day of January, 1949, or where, on or after the 1st day of January, 1958, an area comprising all or part of one or more non-urban municipalities becomes an urban municipality, and at the date of annexation or change of status there were outstanding debentures for one or more school buildings in that municipality or part, as the case may be, the debt charges to the extent that they were eligible for grant for the board of the school-section, separate-school zone, or secondary-school district in the area annexed or in the non-urban municipality in the year of annexation or change of status shall, except in the year of annexation or change of status, be eligible for a grant at the rate by which the greater of,

- (a) the rate applicable to the board of the school-section, separate-school zone, or high-school district in the annexed area or in the non-urban municipality for the year of annexation or change of status; and

- (b) the rate applicable to the board of the school-section, separate-school zone, or high-school district of the urban municipality for the year of annexation or change of status,

exceeds the rate applicable to the board of the school-section, separate-school zone, or high-school district of the urban municipality for the current year.

33.—(1) In the year in which the whole of a school-section, of a separate-school zone, or of a secondary-school district is annexed to an urban municipality or in which all or part of a non-urban municipality becomes part or all of an urban municipality the grant shall be calculated under the provisions of section 19.

(2) In the year in which part of a school-section, of a separate-school zone, or of a secondary-school district is annexed to an urban municipality and, on the last school-day of September preceding the annexation, not more than 10 per cent of the number of pupils residing in the school-section, separate-school zone, or secondary-school district, or not more than ten pupils, whichever is the lesser, resided in the part annexed, the grant shall be calculated as if there had been no annexation and be paid to the board from which the area has been detached.

(3) In the year in which part of a school-section, of a separate-school zone, or of a secondary-school district is annexed to an urban municipality and, on the last school-day of September preceding the annexation, more than 10 per cent of the pupils residing in the school-section, separate-school zone, or secondary-school district, or more than ten pupils, whichever is the lesser, resided in the part annexed,

- (a) the board from which the area has been detached shall be paid the greater of the amount allocated to the board under the provision of subsection 3 of section 19 and the grant calculated on the data of the current year; and
- (b) the board of the urban municipality shall be paid the total amount, before division, calculated under the provisions of subsection 3 of section 19 less the amount paid under clause *a* to the board from which the area has been detached.

34.—(1) Where on or after the 1st day of January, 1949, an urban municipality having a population in the year preceding annexation of 14,000 or more, annexes an area in which the combined average daily attendance of public-, separate- and secondary-school pupils resident in that area exceeds 20 per cent of the combined average daily attendance of public-, separate- and secondary-school pupils resident in the urban municipality, or where on or after the 1st day of January, 1958, an area comprising all or part of one or more non-urban municipalities becomes an urban municipality, there shall be paid to each board of the urban municipality an annexation or change-in-status grant per pupil as set forth in subsections 2, 3, and 4.

(2) The annexation or change-in-status grant per pupil shall be 100 per cent of the amount by which the grant per pupil paid under this Regulation to the board or boards of the urban municipality in the year of annexation or change-in-status is exceeded by the grant per pupil paid in the same year in the annexed area or in the non-urban municipality, ascertained by dividing the grant paid in each case, exclusive of grants on debt charges, on capital expenditures from current funds, on sites, and on transportation, by the average daily attendance of resident pupils.

(3) Subject to subsection 5, in the second, third, fourth and fifth years following the annexation or change in status,

- (a) the annexation grant per pupil shall be paid on the excess of the average daily attendance of resident pupils of the board of the urban municipality subsequent to annexation over the average daily attendance of the resident pupils of the urban municipality in the year preceding annexation; and

(b) the change-in-status grant shall be paid on the average daily attendance of resident pupils of the urban municipality.

(4) Subject to subsection 5, in the sixth year following the annexation or change in status, the percentage of the grant per pupil shall be reduced by 20, and in each year thereafter by 20 for each additional year.

(5) For purpose of the payment of the annexation grant per pupil under this section, the ordinal numbers applying to the years following the annexation in subsections 3 and 4 apply as if the years 1958, 1959, and 1960 had not existed.

PART 5

LIMITATION OF GRANTS

35.—(1) Subject to subsection 2, the total of the grants payable to a board under Parts 2, 3 and 4 of this Regulation, but excluding the grants under subsection 1 of section 23 and under subsection 2 of section 29, shall be,

- (a) not greater than 120 per cent of the amount computed by multiplying the total of its 1963 General Legislative Grant and its 1963 Residential and Farm School Tax Assistance Grant by its recognized cost of operating for 1963 and dividing by its recognized cost of operating for 1962; and
- (b) not less than the amount computed by multiplying its recognized cost of operating for 1963 by the excess of,
- (i) the decimal fraction, correct to four places of decimals, obtained by dividing the total of its 1963 General Legislative Grant and its 1963 Residential and Farm School Tax Assistance Grant by its recognized cost of operating for 1962,

over,

(ii) .05.

(2) The total of the grants payable to a board under Parts 2, 3, and 4 in any year shall not exceed the sum of,

- (a) the growth-need grant provided in subsection 3 of section 16;
- (b) the grant payable to an elementary-school board in the year preceding that in which it enters a larger unit of administration provided in subsection 1 of section 23;
- (c) the grant on text books for Grades 9 and 10, provided in subsection 2 of section 29;
- (d) the grant on assumed debentures provided in section 33; and
- (e) 35 per cent increased by,
- (i) in the case of an elementary-school board, one-tenth of 1 per cent, up to a maximum of 60 per cent, for each \$1,000 or fraction thereof by which the provincial equalized assessment per class-room unit falls below \$620,000, or
- (ii) in the case of a secondary-school board, one-tenth of 1 per cent, up to a maximum of 60 per cent, for each \$2,000 or fraction thereof, by which the provincial equalized assessment per class-room unit falls below \$1,260,000

of its cost of operating.

PART 6

REVOCATION OF REGULATIONS

36. Ontario Regulation 32/63 and Ontario Regulation 165/63 are revoked.

WILLIAM G. DAVIS,
Minister of Education.

TORONTO, January 22nd, 1964.

(131)

5

THE MINING ACT

O. Reg. 17/64.

Lands Open for Prospecting, Staking Out
or Leasing.

Made—January 15th, 1964.

Filed—January 24th, 1964.

REGULATION MADE UNDER THE MINING ACT

1. The lands and mining rights described in the Schedule shall be open for prospecting, staking out or leasing at and after 7 o'clock Standard Time in the forenoon of the 17th day of February, 1964.

Schedule

	Former Lease No.	Former Mining Claim No.	Geographic Township or area in which land is situate	Territorial District in which township or area is situate	No. of Acres more or less
1.	12886	S.S.M. 12431	23, Range 13	Algoma	30.74
2.	12887	S.S.M. 12432	23, Range 13	Algoma	23.76
3.	12888	S.S.M. 12433	23, Range 13	Algoma	30.42
4.	12981	S.S.M. 12373	23, Range 13	Algoma	37.2
5.	12982	S.S.M. 12371	23, Range 13	Algoma	32.5
6.	12983	S.S.M. 12372	23, Range 13	Algoma	34.77
7.	12984	S.S.M. 12368	23, Range 13	Algoma	34.38
8.	12985	S.S.M. 12369	23, Range 13	Algoma	34.55
9.	12986	S.S.M. 12370	23, Range 13	Algoma	29.44
10.	13608	S.S.M. 13744	23, Range 13	Algoma	27.82
11.	13609	S.S.M. 13743	23, Range 13	Algoma	28.59
12.	13610	S.S.M. 13742	23, Range 13	Algoma	41.60
13.	13611	S.S.M. 13741	23, Range 13	Algoma	25.97

	Former Lease No.	Former Mining Claim No.	Geographic Township or area in which land is situate	Territorial District in which township or area is situate	No. of Acres more or less
14.	10984	T.R.S. 3636 (T.R.S. 5030)	Churchill	Sudbury	70.0
15.	12688	T.R.S. 6375	Macmurchy	Sudbury	32.19
16.	12689	T.R.S. 6376	Macmurchy	Sudbury	22.24
17.	12690	T.R.S. 6373	Macmurchy	Sudbury	40.6
18.	12691	T.R.S. 6337	Macmurchy	Sudbury	23.01
19.	12692	T.R.S. 6335	Macmurchy	Sudbury	32.0
20.	12693	T.R.S. 6334	Macmurchy	Sudbury	18.33
21.	12539	G.G. 6080	Knight	Timiskaming	45.1
22.	11310	F.P. 5 (M.R. 11729)	Tyrrell	Timiskaming	25.0
23.	11311	F.P. 4 (M.R. 11711)	Tyrrell	Timiskaming	49.0
24.	11312	F.P. 3 (M.R. 11710)	Tyrrell	Timiskaming	53.0
25.	11313	F.P. 2 (M.R. 11709)	Tyrrell	Timiskaming	46.0
26.	12370	G.G. 5878	Tyrrell	Timiskaming	29.5
27.	12452	G.G. 5926	Tyrrell	Timiskaming	47.7
28.	12540	G.G. 5927	Tyrrell	Timiskaming	61.4
29.	12541	G.G. 5881	Tyrrell	Timiskaming	79.0
30.	12542	G.G. 5880	Tyrrell	Timiskaming	61.2
31.	12543	G.G. 5879	Tyrrell	Timiskaming	61.2
32.	13711	M.R. 11788	Yarrow	Timiskaming	23.1
33.	13712	M.R. 11789	Yarrow	Timiskaming	26.4

(149)

5

THE HIGHWAY TRAFFIC ACT

O. Reg. 18/64.
Speed Limits.

Made—January 23rd, 1964.
Filed—January 27th, 1964.

REGULATION MADE UNDER THE HIGHWAY TRAFFIC ACT

1.—(1) Paragraphs 15 and 16 of Part 1 of Schedule 1 to Regulation 232 of Revised Regulations of Ontario, 1960 are revoked and the following substituted therefor:

15. That part of the King's Highway known as No. 2 lying between a point situate Brant and Wentworth— 1000 feet measured easterly from its intersection with the easterly limit of the roadway known as Prince Charles Road in the Township of Brantford in the County of Brant and a point situate Twps. of Brantford and Ancaster at its intersection with the westerly limit of the King's Highway known as No. 53 in the Township of Ancaster in the County of Wentworth.

(2) Paragraph 14 of Part 3 of the said Schedule 1 is revoked.

2. Paragraphs 12 and 13 of Part 1 of Schedule 20 to Regulation 232 of Revised Regulations of Ontario, 1960 are revoked and the following substituted therefor:

12. That part of the King's Highway known as No. 17 in the District of Nipissing— lying between a point situate 2000 feet measured westerly from its intersection with the line between lots 5 and 6 in Concession 1 in the Township of Springer and a point situate 300 feet measured easterly from its intersection with the King's Highway known as No. 64 in the Township of Caldwell. District of Nipissing— Twps. of Springer and Caldwell

13. That part of the King's Highway known as No. 17 lying between a point situate Districts of Nipissing and Sudbury— 200 feet measured westerly from its intersection with the roadway known as Cartier Street in the Township of Caldwell in the District of Nipissing and a point situate Twps. of Caldwell and Dunnet 1000 feet measured easterly from its intersection with the easterly limit of the King's Highway known as No. 539 in the Township of Dunnet in the District of Sudbury.

3. Regulation 232 of Revised Regulations of Ontario, 1960 is amended by adding thereto the following Schedule:

OLD HIGHWAY No. 17

Schedule 20a

PART 1

(Reserved)

PART 2

(Reserved)

PART 2a

(Reserved)

PART 3

(Reserved)

PART 4

1. That part of the King's Highway known as Old Highway No. 17 in the Township of West Hawkesbury in the County of Prescott— Twps. of East and West Hawkesbury lying between a point situate at its intersection with the line between the townships of East Hawkesbury and West Hawkesbury in Broken Front Con-

cession and a point situate at its intersection with the easterly limit of the roadway known as Tupper Street.

PART 5

(Reserved)

PART 6

(Reserved)

4.—(1) Paragraph 4 of Part 1 of Schedule 24a to Regulation 232 of Revised Regulations of Ontario, 1960, as remade by subsection 1 of section 3 of Ontario Regulation 172/62, is revoked and the following substituted therefor:

Huron—
Twp. of Stephen and Stanley
4. That part of the King's Highway known as No. 21 in the County of Huron lying between a point situate 3000 feet measured northerly from its intersection with the line between lots 1 and 2 in Concession West of Lake Road in the Township of Stephen and a point situate at its intersection with the southerly limit of the roadway known as Brucefield Road in the Township of Stanley.

(2) Part 3 of the said Schedule 24a, as remade by subsection 2 of section 3 of Ontario Regulation 172/62, is amended by adding thereto the following paragraph:

Huron—
Twp. of Stephen
2. That part of the King's Highway known as No. 21 in the Township of Stephen in the County of Huron commencing at a point situate at its intersection with the line between lots 1 and 2 in Concession West of Lake Road and extending northerly therealong for a distance of 3000 feet more or less.

5. Part 4 of Schedule 30a to Regulation 232 of Revised Regulations of Ontario, 1960, as made by section 15 of Ontario Regulation 184/61 and amended by section 3 of Ontario Regulation 273/62, is further amended by adding thereto the following paragraph:

Prince Edward—
Twp. of Hallowell
3. That part of the King's Highway known as No. 33 in the Township of Hallowell in the County of Prince Edward lying between a point situate at its intersection with the line between lots 21 and 22 in Concession 3 of Military Tract and a point situate 150 feet measured easterly from its intersection with the line between lots 18 and 19 in the said Concession 3 of Military Tract.

6. Part 4 of Schedule 57a to Regulation 232 of Revised Regulations of Ontario, 1960, as made by section 20 of Ontario Regulation 184/61, is amended by adding thereto the following paragraph:

District of Muskoka—
Twp. of Macaulay
2. That part of the King's Highway known as No. 118 in the Township of Macaulay in the District of Muskoka lying between a point situate at its intersection with the King's Highway known as No. 11 (south junction) and a point situate at its intersection with the line between lots 4 and 5 in Concession 2.

7. Paragraph 2 of Part 6 of Schedule 58 to Regulation 232 of Revised Regulations of Ontario, 1960, as made by section 5 of Ontario Regulation 34/63, is revoked and the following substituted therefor:

District of Parry Sound—
Twp. of Hagerman
2. That part of the King's Highway known as No. 124 in the Township of Hagerman in the District of Parry Sound commencing at a point situate 500 feet measured westerly from its intersection with the westerly limit of the King's Highway known as No. 520 and extending westerly therealong for a distance of 4200 feet more or less.

8. Regulation 232 of Revised Regulations of Ontario, 1960 is amended by adding thereto the following Schedule:

CONTROLLED ACCESS HIGHWAY BETWEEN HIGHWAY NO. 401 AND TORONTO INTERNATIONAL AIRPORT

Schedule 72

PART 1

Peel—
Twp. of Toronto
1. That part of the King's Highway known as the Controlled Access Highway between the King's Highway known as No. 401 and Toronto International Airport in the Township of Toronto in the County of Peel lying between a point situate at its intersection with the said Highway No. 401 and a point situate at its intersection with the northerly limit of the roadway known as Dixon Road.

(150)

5

THE PLANT DISEASES ACT

O. Reg. 19/64.
General.
Made—January 23rd, 1964.
Filed—January 27th, 1964.

REGULATION MADE UNDER THE PLANT DISEASES ACT

1. Section 14 of Regulation 485 of Revised Regulations of Ontario, 1960 is revoked.

(151)

5

Publications Under The Regulations Act

February 8th, 1964

THE INDUSTRIAL STANDARDS ACT

O. Reg. 20/64.

Designation of Industries and Zones.

Made—January 14th, 1964.

Filed—January 29th, 1964.

REGULATION MADE UNDER THE INDUSTRIAL STANDARDS ACT

1. Section 3 of Regulation 244 of Revised Regulations of Ontario, 1960 is amended by adding thereto the following subsection:

STONEY CREEK—SALTFLEET ZONE

(64a) That part of Ontario described in paragraph 64a of Appendix C is designated as a zone, to be known as the Stoney Creek-Saltfleet Zone, for any industry designated or defined in Part IV as an industry for the purposes of the Act.

2. Appendix C of Regulation 244 of Revised Regulations of Ontario, 1960 is amended by adding thereto the following paragraph:

STONEY CREEK—SALTFLEET ZONE

64a. The Town of Stoney Creek and the suburban area adjacent thereto and lying within a line drawn as follows: Beginning at the south-easterly corner of Lot 1, Concession 4 in the Township of Saltfleet, thence northeasterly along the easterly limit of the Township of Saltfleet to the southerly shore of Lake Ontario; thence westerly along the southerly shore of Lake Ontario to the easterly limit of the City of Hamilton; thence southerly, westerly and southerly along the said easterly limit of the City of Hamilton to the northerly limit of the Town of Stoney Creek; thence westerly along the northerly limit of the Town of Stoney Creek to the westerly limit of the Town of Stoney Creek; thence southerly along the westerly limit of the Town of Stoney Creek to the southerly limit of King Street East; thence easterly along the southerly limit of King Street East to the easterly limit of Lot 27, Concession 4 in the said Township of Saltfleet; thence southerly along the said easterly limit of Lot 27, Concession 4 to the southerly limit of Concession 4; thence easterly along the southerly limit of Concession 4 to the place of beginning.

H. L. ROWNTREE,
Minister of Labour

Dated at Toronto, this 14th day of January, 1964.

(160)

6

THE HIGHWAY TRAFFIC ACT

O. Reg. 21/64.

General.

Made—January 30th, 1964.

Filed—January 31st, 1964.

REGULATION MADE UNDER THE HIGHWAY TRAFFIC ACT

1.—(1) Paragraph 4 of section 20 of Regulation 227 of Revised Regulations of Ontario, 1960, as remade by section 2 of Ontario Regulation 294/63, is amended by striking out "For a driver's licence or renewal thereof issued on or after the 1st day of December, 1963 and" in the first, second and third lines and inserting in lieu thereof "For the renewal of a driver's licence".

(2) The said section 20 is amended by adding thereto the following subsection:

(2) The fee for an original driver's licence shall be ten cents for each month or part of a month during which the licence is valid but shall not exceed one dollar for any period not exceeding twelve consecutive months.

2. Clause b of subsection 1 of section 21 of Regulation 227 of Revised Regulations of Ontario, 1960, as made by section 3 of Ontario Regulation 294/63, is revoked and the following substituted therefor:

(b) on or after the 1st day of December, 1963, expires,

(i) with the birthdate in 1965 of the applicant for the licence, where that birthdate occurs on any day between the 1st and 19th day, both inclusive, of any month, or

(ii) with the birthdate in 1966 of the applicant for the licence where that birthdate occurs on any day between the 20th and last day, both inclusive, of any month.

3. Subsection 2 of section 1 comes into force on the 1st day of February, 1964.

(162)

6

THE MOTOR VEHICLE ACCIDENT CLAIMS ACT, 1961-62

O. Reg. 22/64.

General.

Made—January 30th, 1964.

Filed—January 31st, 1964.

REGULATION MADE UNDER THE MOTOR VEHICLE ACCIDENT CLAIMS ACT, 1961-62

1. Subsection 1 of section 1 of Ontario Regulation 155/62, as remade by section 1 of Ontario Regulation 318/63, is revoked and the following substituted therefor:

(1) The fee payable by a person under subsection 4 of section 2 of the Act shall be the same as the fee prescribed for the issuance or renewal of the driver's licence of the person under *The Highway Traffic Act*.

(163)

6



Publications Under The Regulations Act

February 15th, 1964

THE PUBLIC HEALTH ACT

O. Reg. 23/64,
Health Units—Areas that may be included
in Health Units.
Made—January 30th, 1964.
Filed—February 3rd, 1964.

REGULATION MADE UNDER THE PUBLIC HEALTH ACT

1. Schedule 2 to Regulation 509 of Revised Regulations of Ontario, 1960, as remade by Ontario Regulation 216/61 and amended by Ontario Regulation 58/62, is further amended by adding thereto the following paragraph:

4. That part of the Territorial District of Kenora described as follows:

Beginning at the intersection of the 4th Meridian with the easterly production of the north boundary of the Township of Pickerel, in the Territorial District of Kenora; thence northerly along the said 4th Meridian to the intersection with the easterly production of the north limit of Block No. 10; thence westerly along that production and the north limit of said Block No. 10 and the westerly production of the north limit of said Block No. 10 to the intersection with the 6th Meridian; thence southerly along the said 6th Meridian to the northwest corner of the Township of Rowell in the Territorial District of Kenora; thence easterly along the north boundary of the said Township of Rowell to the northeast corner thereof; thence southerly along the east boundary of the said Township of Rowell to the northwest corner of the Township of Stokes; thence easterly along the north boundary of the townships of Stokes, Drope, Webb, Echo, Pickerel and the easterly production of the north limit of the Township of Pickerel in the Territorial District of Kenora to the point of beginning; but excepting therefrom the Town of Sioux Lookout.

(181)

7

THE MENTAL HOSPITALS ACT

O. Reg. 24/64.
General.
Made—January 30th, 1964.
Filed—February 3rd, 1964.

REGULATION MADE UNDER THE MENTAL HOSPITALS ACT

1.—(1) Subsection 1 of section 18 of Regulation 416 of Revised Regulations of Ontario, 1960, is amended by striking out "\$16" in the second line and inserting in lieu thereof "\$21".

(2) Subsection 2 of the said section 18 is amended by striking out "\$16" in the last line and inserting in lieu thereof "\$21".

(182)

7

THE MILK INDUSTRY ACT

O. Reg. 25/64,
Collective Bargaining and Licence
Fees.
Made—January 31st, 1964.
Filed—February 3rd, 1964.

REGULATION MADE UNDER THE MILK INDUSTRY ACT

1. Schedule 1 to Regulation 424 of Revised Regulations of Ontario, 1960, as remade by Ontario Regulation 290/61 and amended by Ontario Regulation 261/63, is further amended by adding thereto the following item:

COLUMN 1	COLUMN 2	COLUMN 3	COLUMN 4
60a. Hagersville	1½ cents	Hamilton Milk Producers' Association	½ cent

2. Item 25 of Schedule 2 to Regulation 424 of Revised Regulations of Ontario, 1960, as remade by Ontario Regulation 290/61, is revoked.

THE MILK INDUSTRY BOARD OF ONTARIO:

G. A. McCAGUE,
Chairman.

A. J. NYHOLT,
Secretary.

Dated at Toronto, this 31st day of January, 1964.

(183)

7

THE ARTIFICIAL INSEMINATION OF CATTLE ACT, 1962-63

O. Reg. 26/64.
General.
Made—January 30th, 1964.
Filed—February 3rd, 1964.

REGULATION MADE UNDER THE ARTIFICIAL INSEMINATION OF CATTLE ACT, 1962-63

GENERAL

1. In this Regulation, "certificate of registration" means a certificate issued under the *Live Stock Pedigree Act* (Canada).

LICENCES

2.—(1) An application for a licence to commence or to continue to engage in a semen-producing business shall be in Form 1.

(2) A licence to commence or to continue to engage in a semen-producing business shall be in Form 2 and the fee therefor is \$1.

3.—(1) An application for a licence to commence or to continue to engage in an inseminating business shall be in Form 3.

(2) A licence to commence or to continue to engage in an inseminating business shall be in Form 4 and the fee therefor is \$1.

4.—(1) An application for a licence to commence or to continue to act as an inseminator shall be in Form 5.

(2) A licence to commence or to continue to act as an inseminator shall be in Form 6 and the fee therefor is \$1.

5. The fee for a licence in Form 2, 4 or 6 shall accompany the application for the licence.

6.—(1) A licence in Form 2, 4 or 6 expires with the 31st day of December in the year for which it is issued.

(2) A licence in Form 2, 4 or 6 is not transferable.

REQUIREMENTS AND MINIMUM STANDARDS

7.—(1) Every semen-producing business shall have,

(a) at least one building for the stabling of bulls;

(b) yards, pens or grounds for the exercising of bulls; and

(c) safety guard-rails along the sides of each alley or passageway through which bulls pass.

(2) The buildings used for stabling bulls shall be kept clean and sanitary at all times.

8. Every semen-producing business and every inseminating business shall have a laboratory with,

(a) refrigeration for the storing of semen; and

(b) facilities for,

(i) sterilizing equipment,

(ii) testing semen, and

(iii) shipping semen.

9. Every operator of a semen-producing business shall maintain at his place of business the certificate of registration, or a photostat copy thereof, of each bull from which semen is collected.

10.—(1) Semen collected by a semen-producing business for the purpose of freezing shall be frozen at a laboratory approved by the Commissioner.

(2) Frozen semen may be stored at a laboratory approved by the Commissioner.

(3) Frozen semen shall be stored in ampoules bearing the full name and registration number of the bull from which the semen was collected and the date on which the semen was frozen.

11.—(1) The Commissioner shall not issue a licence in Form 6 unless the applicant has completed a course of instruction approved by the Commissioner in the theory and practice of artificial insemination.

(2) Notwithstanding subsection 1, the Commissioner may issue a licence in Form 6 to a person who has not completed the course required by subsection 1, but the licence shall be cancelled unless the course is completed within one year after the licence is issued.

12.—(1) Every semen-producing business and every inseminating business that collects semen from a source other than a licensed semen-producing business shall provide the Ontario Veterinary College with blood samples from every bull from which semen is collected.

(2) A record of the blood type of each bull from which semen is produced by a semen-producing business shall be kept on file at the Ontario Veterinary College.

HEALTH STANDARDS OF BULLS

13.—(1) No semen shall be obtained by a semen-producing business or an inseminating business from a bull that does not test negative on a test for tuberculosis and brucellosis made not more than one year before the semen is to be obtained from the bull.

(2) An inspector may enter and inspect the premises of an inseminating business or semen-producing business at any time, and may conduct such tests as are deemed necessary by the Commissioner.

(3) Every bull affected with or exposed to any infectious or contagious disease shall be segregated from other bulls.

(4) The Commissioner may order that semen be destroyed if, in his opinion, the bull from which the semen was collected is affected with or has been exposed to an infectious or contagious disease capable of being transmitted in semen.

RECORDS AND RETURNS

14. Every person operating a semen-producing business or an inseminating business shall make returns to the Commissioner,

(a) each year before the 15th day of March, stating for the year ending with the 31st day of December in the preceding year,

(i) the income,

(ii) the expenditure, and

(iii) the profit and loss;

of the semen-producing business or the inseminating business, as the case may be; and

(b) monthly at the end of sixty days from the last day of the month for which the report is made, showing the number of cattle artificially inseminated and the number that show signs of being with calf.

GRANTS

15.—(1) For the purpose of this section, Dual-Purpose Shorthorns and Red Polls are deemed to be dairy breeds.

(2) The Minister may make grants to,

(a) semen-producing businesses owned and operated by corporations incorporated under *The Corporations Act*, or any predecessor thereof, as corporations without share capital; and

(b) inseminating businesses in territorial districts.

(3) The grants to semen-producing businesses shall be,

(a) in the case of a bull of a dairy breed,

(i) 20 per cent of the purchase price of the bull, or \$300, whichever is less, upon receipt of an application accompanied by an auditor's statement of the purchase price and a photostat copy of the certificate of registration of the bull,

(ii) \$10 for each animal included in a group of female animals produced by artificial insemination with semen collected from the bull, and used to obtain a record of the bull's performance with respect to production, if the group is comprised of at least thirty animals, but in no case shall the grant exceed \$300, and

(iii) \$5 for each animal included in a group of female animals used in obtaining a record of a bull's performance with respect to type and conformation, if the group is comprised of at least thirty animals, but in no case shall the grant exceed \$150; and

(b) in the case of a beef bull that, when tested under a performance test for beef cattle, shows during a feed-gain test period of not less than 140 days a gain in weight of not less than 2.6 pounds per day, and also shows a weight per day of age of not less than 2.4 pounds per day,

(i) 20 per cent of the purchase price of the bull, or \$300, whichever is less, upon receipt of an application accompanied by an auditor's statement of the purchase price and a photostat copy of the certificate of registration, and

(ii) \$20 for each animal included in a group of animals tested under the Quality Meat Sire Program of the Department of Agriculture, but in no case shall the grant exceed \$200.

(4) Grants under clauses a and b of subsection 2 are \$2 for each animal artificially inseminated in a territorial district.

(5) In any year not more than one grant of \$2 shall be paid in respect of any animal artificially inseminated in a territorial district.

(6) Where in any year the amount voted by the Legislature for the grants under this Regulation is insufficient to pay the grants in full, the Minister may make a pro rata reduction.

16. Regulation 30 of Revised Regulations of Ontario, 1960 is revoked.

Form 1

The Artificial Insemination of Cattle Act, 1962-63

APPLICATION FOR A LICENCE TO ENGAGE IN A SEMEN-PRODUCING BUSINESS

To The Live Stock Commissioner, Parliament Buildings, Toronto, Ontario.

(name of applicant)

(address)

applies for a licence to engage in a semen-producing business for the year ending with the 31st day of December, 19... under The Artificial Insemination of Cattle Act, 1962-63, and the regulations, and in support of the application the following facts are stated:

- 1. Business address of applicant
2. Name of semen-producing business
3. Location of semen-producing business (lot and concession, municipality, county or district)
4. Where applicant is a corporation without share capital, state (a) number of members (b) number of cows enrolled by members (c) membership fee, if any
5. Breed or breeds to be serviced
6. Service fee charged

Dated at... this... day of..., 19...

(signature of applicant)

Form 2

The Artificial Insemination of Cattle Act, 1962-63

LICENCE TO ENGAGE IN A SEMEN-PRODUCING BUSINESS

Year... No...

Under The Artificial Insemination of Cattle Act, 1962-63, and the regulations, and subject to the limitations thereof, this licence is issued to,

(name)

(address)

to engage in a semen-producing business at... (location)

This licence expires with the 31st day of December, 19....

Issued at Toronto, this... day of..., 19....

Live Stock Commissioner

Form 3

The Artificial Insemination of Cattle Act, 1962-63

APPLICATION FOR A LICENCE TO ENGAGE IN AN INSEMINATING BUSINESS

To The Live Stock Commissioner, Parliament Buildings, Toronto, Ontario.

(name of applicant)

.....
 (address)
 applies for a licence for the year ending with the 31st day of December, 19..... to engage in an inseminating business under *The Artificial Insemination of Cattle Act, 1962-63*, and the regulations, and in support of the application the following fact is stated:
 Business address of applicant.....

 Dated at....., this.... day of....., 19.....

 (signature of applicant)

Form 4

The Artificial Insemination of Cattle Act, 1962-63

LICENCE TO ENGAGE IN AN INSEMINATING BUSINESS

Year..... No.....
 Under *The Artificial Insemination of Cattle Act, 1962-63*, and the regulations, this licence is issued to,

 (name)

 (address)
 to engage in an inseminating business at.....
 (location)
 This licence expires with the 31st day of December, 19.....
 Issued at Toronto, this.... day of....., 19.....

 Live Stock Commissioner

Form 5

The Artificial Insemination of Cattle Act, 1962-63

APPLICATION FOR A LICENCE TO ACT AS AN INSEMINATOR

To The Live Stock Commissioner,
 Parliament Buildings,
 Toronto, Ontario.

.....
 (name of applicant)

 (address)

applies for a licence to act as an inseminator under *The Artificial Insemination of Cattle Act, 1962-63*, and the regulations, for the year ending with the 31st day of December, 19.....
 Dated at....., this.... day of....., 19.....

 (signature of applicant)

Form 6

The Artificial Insemination of Cattle Act, 1962-63

LICENCE TO ACT AS AN INSEMINATOR

Year..... No.....
 Under *The Artificial Insemination of Cattle Act, 1962-63*, and the regulations, and subject to the limitations thereof, this licence is issued to

 (name)

 (address)

to act as an inseminator.
 This licence expires with the 31st day of December, 19.....
 Issued at Toronto, this.... day of....., 19.....

 Live Stock Commissioner

(184)

7

THE APPRENTICESHIP ACT

O. Reg. 27/64.

Workers in Servicing and Installing Air-Conditioning or Refrigerating Equipment.

Made—July 18th, 1962.

Approved—January 30th, 1964.

Filed—February 5th, 1964.

REGULATION MADE UNDER THE APPRENTICESHIP ACT

WORKERS IN SERVICING AND INSTALLING AIR-CONDITIONING OR REFRIGERATING EQUIPMENT

1. In this Regulation,

- (a) "designated trade" means the designated trade of worker in servicing and installing air-conditioning or refrigerating equipment;
- (b) "worker in servicing and installing air-conditioning or refrigerating equipment" means a person who,
 - (i) installs or assembles any component of a refrigerating or air-conditioning system,
 - (ii) assembles or connects any pipe or duct used in piping brine or conditioned air,
 - (iii) overhauls or repairs any equipment used in refrigerating or air-conditioning systems, or
 - (iv) tests, adjusts, or instructs in the operation of refrigerating or air-conditioning systems,

but does not include a person who repairs or installs hermetically-sealed units made for refrigerators in domestic use.

2. An apprentice shall attend the full-time educational day classes in refrigeration provided at the Provincial Institute of Trades at Toronto as defined by the Minister of Education under *The Department of Education Act*.

3.—(1) The course of training to be provided by the employer for an apprentice in the designated trade is that outlined in the Schedule.

(2) The period of time in each year to be completed by an apprentice in the designated trade in learning his trade is at least 1,280 hours.

4. All persons engaged in the designated trade other than,

- (a) registered apprentices; and
- (b) persons employed during a probationary period,

are required to hold a current certificate of qualification.

5. The subjects of examination for an apprentice or for a certificate of qualification are the subjects prescribed for the course in refrigeration provided at the Provincial Institute of Trades at Toronto and the course of training in the Schedule.

6. A certificate of qualification expires on the 31st day of March in each year and may be renewed annually upon payment of the prescribed fee.

INDUSTRY AND LABOUR BOARD:

E. G. GIBB,
Chairman.

J. F. NUTLAND,
Member.

H. G. PIERCY,
Member.

Dated this 18th day of July, 1962.

Schedule

WORKER IN SERVICING AND INSTALLING AIR-CONDITIONING OR REFRIGERATING EQUIPMENT

Item	COLUMN 1	COLUMN 2
	Subject	Instruction to be Given
1	Trade orientation.	Scope of work. Knowledge required. Practical skills.
2	Tools of trade.	Application and use of, (a) hand tools; (b) power tools; (c) testing instruments; (d) hoists, slings and rollers; (e) welding and brazing outfits; and (f) leak detectors.

Item	COLUMN 1	COLUMN 2
	Subject	Instruction to be Given
3	Basic principles.	Refrigerant cycles and mechanical applications. Flow and measurement of heat. Refrigerants and pressure—temperature relationship. Interpreting piping and control diagrams, plans and specifications.
4	Refrigeration systems.	Low temperature food warehouses—long term storage. High temperature, short term food storage. Chain store applications. Packaged equipment. Industrial applications: dairies, breweries, meat packing plants. Skating and curling rinks. Test facilities and special equipment. Pumping systems.
5	Air conditioning.	Definition of term. Properties of air. Movement and conditioning of air. Layout of duct systems. Types of equipment. Operation of controls, systems and safety devices. Pumping systems. Application requirements. Noise levels. Optimum temperatures.
6	Equipment installation.	Preparation of foundations and mountings for compressor, evaporators, condensers and other components. Alignment procedures, belt and direct drive. Pipe work, steel and copper. Control systems. Safety controls. Duct work systems—check-out and balancing.

Item	COLUMN 1	COLUMN 2
	Subject	Instruction to be Given
6	<i>Continued</i>	Checkout on electrical and water systems. Evacuation, charging and testing. Start-up and adjusting.
7	Servicing	Knowledge of pipe and duct installation. Trouble shooting techniques. Maintenance procedures. Start-up and shut-down procedures. Checking of operating and safety controls. Leak detection and repair. Water treatment procedures. System cleanout procedures. Overhauling and repairing of equipment.
8	Safety considerations.	Pressure testing, pressures and gases used. Pressure relief devices. Safety controls. Guards for belts and couplings. Filter cleaning. Handling of acetylene and oxygen equipment. Ladders, hoists and scaffolding. Hand and power tools. Extension cords and air lines. Flammable and toxic refrigerants. Fire precautions. Codes and regulations.

(185)

7

THE APPRENTICESHIP ACT

O. Reg. 28/64.

Workers in Servicing and Installing Air-Conditioning or Refrigerating Equipment.

Made—May 15th, 1963.

Approved—January 30th, 1964.

Filed—February 5th, 1964.

REGULATION MADE UNDER
THE APPRENTICESHIP ACTWORKERS IN SERVICING AND INSTALLING
AIR-CONDITIONING OR REFRIGERATING
EQUIPMENT

1. In this Regulation,

(a) "designated trade" means the designated trade of worker in servicing and installing air-conditioning or refrigerating equipment;

(b) "journeyman" means a journeyman of the designated trade.

2. No person shall enter into a contract of apprenticeship in the designated trade unless he is of at least sixteen years of age.

3. The apprenticeship period for the designated trade is five years, including the probationary period.

4. The number of apprentices who may be apprenticed to an employer in the designated trade is one for each five journeymen, or part thereof, working in the same shop.

PROVINCIAL ADVISORY COMMITTEE:

EMPLOYERS

H. FURSE,

Member.

J. HOWARD WILSON,

Member.

COLIN HERSH,

Member.

T. W. McLORG,

Member.

W. S. McLEESE,

Member.

EMPLOYEES

W. J. HARFORD,

Member.

F. BLAND,

Member.

M. CLYSDALE,

Member.

N. PLUMMER,

Member.

CHARLES COBB,

*Member.*D. C. McNEIL, *Member*

(as official of the Department of Labour)

Dated this 15th day of May, 1963.

(186)

7

THE PUBLIC LANDS ACT

O. Reg. 29/64.

Restricted Area—Part of the District of Cochrane.

Made—February 6th, 1964.

Filed—February 6th, 1964.

ORDER MADE UNDER
THE PUBLIC LANDS ACTRESTRICTED AREA — PART OF THE
DISTRICT OF COCHRANE

1. The area in territory without municipal organization and composed of the geographic townships

of Casgrain, Hanlan, Kendall and Way in the Territorial District of Cochrane is designated as a restricted area.

Dated the 6th day of February, 1964.

A. K. ROBERTS,

Minister of Lands and Forests.

(195)

7

THE HOSPITAL SERVICES COMMISSION ACT

O. Reg. 30/64.

General.

Made—January 22nd, 1964.

Approved—January 30th, 1964.

Filed—February 7th, 1964.

REGULATION MADE UNDER THE HOSPITAL SERVICES COMMISSION ACT

1. Schedule 7 to Regulation 238 of Revised Regulations of Ontario, 1960, as amended by section 5 of Ontario Regulation 156/63, is further amended by renumbering Part II as Part III, and by adding thereto the following Part:

PART II

Federal Hospitals:

LOCATION	NAME OF HOSPITAL
1. London	Westminster Hospital (Psychiatric Wing)

HOSPITAL SERVICES COMMISSION
OF ONTARIO:

J. B. NEILSON,
Chairman.

E. P. MCGAVIN,
Commissioner.

Dated at Toronto, this 22nd day of January, 1964.

(196)

7

THE CORPORATIONS INFORMATION ACT

O. Reg. 31/64.

Content of Annual Return.

Made—January 30th, 1964.

Filed—February 7th, 1964.

REGULATION MADE UNDER THE CORPORATIONS INFORMATION ACT

1.—(1) Section 1 of Ontario Regulation 28/62, as amended by Ontario Regulation 69/63, is further amended by adding thereto the following paragraphs:

1a. The information required by clause *d* of subsection 1 of section 3 of the Act shall specify whether or not the corporation is in operation.

1b. The information required by clause *e* of subsection 1 of section 3 of the Act shall specify generally the undertaking that the corporation is actually carrying on.

.

3a. The information required by clause *a* of subsection 1 of section 3 of the Act shall specify the number and class of shares, if any, issued since the date of the last annual return, the extent to which the same were paid showing severally the number and class of shares issued for cash, services, commissions or property, and the consideration for which such shares were issued.

(2) Notwithstanding section 2 of Ontario Regulation 28/62, subsection 1 applies to returns for the year ending with the 31st day of March, 1964 and each year thereafter.

(198)

7

THE LIQUOR CONTROL ACT

O. Reg. 32/64.

General.

Made—January 28th, 1964.

Approved—January 30th, 1964.

Filed—February 7th, 1964.

REGULATION MADE UNDER THE LIQUOR CONTROL ACT

1. Regulation 405 of Revised Regulations of Ontario, 1960, as amended by Ontario Regulation 254/63, is further amended by adding the following section:

8a. The Board may issue a special permit, upon such terms and subject to such conditions as it prescribes, to the Crown in right of Canada, as represented by the Minister of Transport, authorizing the purchase of liquor for use at an international airport that is designated to the Board by the Minister of Transport.

THE LIQUOR CONTROL BOARD
OF ONTARIO :

G. H. SHEPPARD,
Chief Commissioner.

Made by the Board, this 28th day of January, 1964.

(199)

7



Publications Under The Regulations Act

February 22nd, 1964

THE MILK INDUSTRY ACT

O. Reg. 33/64.
Concentrated Milk—Marketing.
Made—January 30th, 1964.
Filed—February 11th, 1964.

REGULATION MADE UNDER THE MILK INDUSTRY ACT

1. Section 14 of Regulation 425 of Revised Regulations of Ontario, 1960 is amended by adding thereto the following subsection:

- (7) The Board may arbitrate any dispute arising out of any award made under subsection 6.

THE MILK INDUSTRY BOARD OF ONTARIO:

G. A. McCAGUE,
Chairman.

A. J. NYHOLT,
Secretary.

Dated at Toronto, this 30th day of January, 1964.

(215) 8

THE DEPARTMENT OF EDUCATION ACT

O. Reg. 34/64.
Scholarships for Study Outside Ontario.
Made—December 31st, 1964.
Approved—February 6th, 1964.
Filed—February 11th, 1964.

REGULATION MADE UNDER THE DEPARTMENT OF EDUCATION ACT

1. Subsection 1 of section 2 of Regulation 99 of Revised Regulations of Ontario, 1960 is amended by striking out "under section 7 of the Act" in the third and fourth lines.

WILLIAM G. DAVIS,
Minister of Education.

Dated at Toronto, this 31st day of December, 1963.

(216) 8

THE GENERAL WELFARE ASSISTANCE ACT

O. Reg. 35/64.
General.
Made—February 6th, 1964.
Filed—February 12th, 1964.

REGULATION MADE UNDER THE GENERAL WELFARE ASSISTANCE ACT

1. The Table in section 16 of Regulation 207 of Revised Regulations of Ontario, 1960, as remade by section 7 of Ontario Regulation 172/61, is revoked and the following substituted therefor:

TABLE

SHELTER ALLOWANCES FOR SINGLE PERSONS

Item	COLUMN 1	COLUMN 2	COLUMN 3
	Type of Premises	Weekly Shelter Allowance	Monthly Shelter Allowance
1.	Unfurnished or unheated, or both	\$7.60	\$33.00
2.	Furnished and heated	8.05	35.00

2. Section 17 of Regulation 207 of Revised Regulations of Ontario, 1960, as amended by section 8 of Ontario Regulation 172/61 and section 1 of Ontario Regulation 362/61, is revoked and the following substituted therefor:

17. Where a municipal welfare administrator grants and the municipality pays general assistance that includes a weekly or monthly shelter allowance to a head of a family who,

- (a) rents and resides in premises rented as heated;
- (b) rents and resides in premises rented as unheated; or
- (c) owns the premises in which he resides,

Ontario shall pay to the municipality 80 per cent of the amount of the shelter allowance that does not exceed,

- (d) \$17.30 a week or \$75.00 a month, as the case may be, in respect of the premises referred to in clause a; or
- (e) \$15.00 a week or \$65.00 a month, as the case may be, in respect of the premises referred to in clause b or c.

3. Section 18 of Regulation 207 of Revised Regulations of Ontario, 1960, as amended by section 9 of Ontario Regulation 172/61, is revoked.

4. Section 18a of Regulation 207 of Revised Regulations of Ontario, 1960, as made by section 10 of Ontario Regulation 172/61, is revoked.

5. Subsection 2 of section 20 of Regulation 207 of Revised Regulations of Ontario, 1960, as made by subsection 2 of section 11 of Ontario Regulation 172/61, is revoked and the following substituted therefor:

- (2) Where the shelter allowance that is paid by a municipality to a head of a family under section 17 causes the total amount of general assistance provided to the groups of persons referred to in column 1 to exceed the weekly or monthly amount, as the case may be, set opposite thereto in column 2 or 3, respectively, of the Table in subsection 1, the amount prescribed in the Table in subsection 1 may be increased by the amount of the excess.

6.—(1) Subsection 1 of section 36 of Regulation 207 of Revised Regulations of Ontario, 1960, as amended by subsection 1 of section 15 of Ontario Regulation 172/61 and subsection 1 of section 4 of Ontario Regulation 175/62, is further amended by striking out "1959" in the latter amendment and inserting in lieu thereof "1961".

(2) Subsection 2 of the said section 36, as amended by subsection 2 of section 4 of Ontario Regulation 175/62, is further amended by striking out "1959" in the said amendment and inserting in lieu thereof "1961".

7. This Regulation comes into force on the 1st day of April, 1964.

(217) 8

THE FARM PRODUCTS GRADES AND SALES ACT

O. Reg. 36/64.
Flue-Cured Tobacco.
Made—February 13th, 1964.
Filed—February 14th, 1964.

REGULATION MADE UNDER THE FARM PRODUCTS GRADES AND SALES ACT

1. Subsection 1 of section 4 of Regulation 140 of Revised Regulations of Ontario, 1960 is revoked and the following substituted therefor:

(1) Where tobacco is graded under the Act and this Regulation, the person who grades the tobacco shall examine the tobacco in as many bales of tobacco on a pallet as are necessary for him to determine the grade of all of the tobacco on the pallet and shall affix to a bale of tobacco on the pallet a tag or label on which is legibly marked or printed the grade of the tobacco on the pallet.

(226) 8

THE JUNIOR FARMER ESTABLISHMENT ACT

O. Reg. 37/64.
General.
Made—February 13th, 1964.
Filed—February 14th, 1964.

REGULATION MADE UNDER THE JUNIOR FARMER ESTABLISHMENT ACT

1. Subsection 2 of section 17 of Regulation 398 of Revised Regulations of Ontario, 1960, as made by section 3 of Ontario Regulation 245/63, is amended by striking out "but not exceeding \$20,000" in the 15th line.

(227) 8

THE HIGHWAY TRAFFIC ACT

O. Reg. 38/64.
Speed Limits.
Made—February 13th, 1964.
Filed—February 14th, 1964.

REGULATION MADE UNDER THE HIGHWAY TRAFFIC ACT

1. Part 4 of Schedule 6 to Regulation 232 of Revised Regulations of Ontario, 1960, as amended by subsection 3 of section 1 of Ontario Regulation 172/62, is further amended by adding thereto the following paragraph:

Grey—
Twp. of Artemesia
10. That part of the King's Highway known as No. 4 in the Township of Artemesia in the County of Grey lying between a point situate 600 feet measured easterly from its intersection with the centre line of the road allowance between Concession 3 north of Durham Road and Concession 3 southwest of Toronto-Sydenham Road and a point situate 300 feet measured easterly from its intersection with the centre line of the road allowance between concessions 2 and 3 southwest of the said Toronto-Sydenham Road.

2.—(1) Paragraph 8 of Part 1 of Schedule 27 to Regulation 232 of Revised Regulations of Ontario, 1960 is revoked and the following substituted therefor:

Simcoe—
Twps. of Essa and Innisfil
8. That part of the King's Highway known as No. 27 in the County of Simcoe lying between a point situate 2590 feet measured northerly from its intersection with the line between lots 16 and 17 in Concession 11 in the Township of Essa and a point situate 1900 feet measured southerly from its intersection with the line between concessions 12 and 13 in the Township of Innisfil.

(2) Part 1 of the said Schedule 27, as amended by Ontario Regulations 164/62 and 183/62, is further amended by adding thereto the following paragraphs:

Simcoe—
Twps. of Flos and Tiny
16. That part of the King's Highway known as No. 27 in the County of Simcoe lying between a point situate at its intersection with the centre line of Concession 9 in the Township of Flos and a point situate 1500 feet measured westerly from its intersection with the westerly limit of the King's Highway known as No. 93 in the townships of Flos and Tiny.

Simcoe—
Twps. of Tay and Tiny
17. That part of the King's Highway known as No. 27 in the County of Simcoe lying between a point situate 150 feet measured southerly from its intersection with the line between lots 76 and 77 in Concession 1 in the townships of Tay and Tiny and a point situate at its intersection with the line between lots 92 and 93 in Concession 1 in the said Township of Tiny.

Simcoe—
Twp. of Tiny
18. That part of the King's Highway known as No. 27 in the Township of Tiny in the County of Simcoe lying between a point situate 500 feet measured northerly from its intersection with the line between lots 94 and 95 in Concession 1 and a point situate 600 feet measured northerly from its intersection with the line between lots 104 and 105 in the said Concession 1.

(3) Paragraph 7 of Part 3 of the said Schedule 27 is revoked and the following substituted therefor:

Simcoe—
Twps. of Flos, Tiny and Tay
7. That part of the King's Highway known as No. 27 in the County of Simcoe lying between a point situate 1500 feet measured westerly from its intersection with the westerly limit of the King's Highway known as No. 93 in the townships of Flos and Tiny and a point situate 150 feet measured southerly from its intersection with the line between lots 76 and 77 in Concession 1 in the townships of Tay and Tiny.

(4) Part 3 of the said Schedule 27, as amended by Ontario Regulation 164/62, is further amended by adding thereto the following paragraph:

10. That part of the King's Highway known as No. 27 in the Township of Tiny in the County of Simcoe lying between a point situate 600 feet measured northerly from its intersection with the line between lots 104 and 105 in Concession 1 and a point situate at its intersection with the line between lots 113 and 114 in the said Concession 1.

(228)

8

THE INDUSTRIAL STANDARDS ACT

O. Reg. 39/64.

Designations—Industries and Zones.

Made—February 5th, 1964.

Filed—February 14th, 1964.

REGULATION MADE UNDER THE INDUSTRIAL STANDARDS ACT

1. Paragraph 9 of Appendix A to Regulation 244 of Revised Regulations of Ontario, 1960 is revoked and the following substituted therefor:

HAMILTON ZONE

9. The City of Hamilton and the suburban areas adjacent thereto and lying within a line drawn as follows: beginning at the intersection of the southerly limit of Lot 35, Concession 4 or Broken Front Concession, Township of Trafalgar, County of Halton with the westerly shore of Lake Ontario; thence northwesterly along the said southerly limit and along the southerly limit of Lot 35 in each of concessions 3, 2 and 1 south of Dundas Street and along the southerly limit of Lot 35 in each of concessions 1 and 2 north of Dundas Street to the westerly limit of Concession 2 north of Dundas Street; thence southerly along the westerly limit of Concession 2 north of Dundas Street to the northerly limit of the Township of East Flamborough, County of Wentworth; thence northwesterly along the northerly limit of the Township of East Flamborough to the road allowance between concessions 6 and 7, Township of East Flamborough; thence southwesterly along the said road allowance to the road allowance between the townships of East Flamborough and West Flamborough; thence southeasterly along the last mentioned road allowance to the road allowance between concessions 5 and 6, Township of West Flamborough; thence westerly along the last mentioned road allowance to the road allowance between the townships of West Flamborough and Beverly; thence southerly along the last mentioned road allowance to and continuing in a southerly direction along the road allowance between lots 36 and 37 in each of concessions 1 to 6 both inclusive, Township of Ancaster to the northerly limit of Concession 7; thence easterly along the northerly limit of Concession 7 to the easterly limit of the road allowance between the townships of Ancaster and Glanford; thence northerly along the easterly limit of the last mentioned road allowance to the northerly limit of Concession 6, Township of Glanford; thence easterly along the northerly limit of the last mentioned concession to the westerly limit of Lot 7, Block 5, Concession 4, Township of Binbrook; thence northerly along the westerly limit of Lot 7 to the northerly limit of said Concession 4; thence easterly along the northerly limit of the last mentioned con-

cession to the easterly limit of the road allowance between the Township of Binbrook, County of Wentworth, and the Township of Caistor, County of Lincoln; thence northerly along the easterly limit of the last mentioned road allowance and along the easterly limit of the road allowance between the Township of Binbrook, County of Wentworth and the Township of Grimsby South, County of Lincoln, to the southerly limit of the road allowance between the Township of Grimsby South, County of Lincoln and the Township of Saltfleet, County of Wentworth; thence easterly along the southerly limit of the last mentioned road allowance to the easterly limit of the road allowance between the last mentioned townships; thence northerly along the last mentioned easterly limit and the easterly limit of the road allowance between the Township of Saltfleet, County of Wentworth and the Township of Grimsby North, County of Lincoln to the southerly shore of Lake Ontario; thence westerly and northerly along the southerly and westerly shore of Lake Ontario to the place of beginning.

2. Paragraph 16 of Appendix A to Regulation 244 of Revised Regulations of Ontario, 1960, as amended by Ontario Regulation 294/61, is revoked and the following substituted therefor:

OTTAWA ZONE

16. The City of Ottawa and the suburban areas adjacent thereto and lying within a line drawn as follows: beginning at the intersection of the northwesterly limit of the road allowance between lots 20 and 21, Concession 7 in the Township of March, with the high water mark on the southwesterly bank of the Ottawa River; thence southwesterly along the northwesterly limit of the road allowance between lots 20 and 21, in each of concessions 7, 6, 5, 4, 3, 2 and 1 in the said township and along the northwesterly limit of the road allowance between lots 20 and 21 in each of concessions 1, 2, 3 and 4 in the Township of Huntley to the southwesterly limit of the road allowance between concessions 4 and 5; thence southeasterly along the southwesterly limit of the last mentioned road allowance to the division line between the townships of Huntley and Goulbourn; thence northeasterly along the said division line to the division line between lots 18 and 19, Concession 12 in the Township of Goulbourn; thence southeasterly along the division line between lots 18 and 19 through each of concessions 12 to 1, both inclusive, to the division line between the townships of Goulbourn and Marlborough; thence northeasterly along the last mentioned division line to the division line between lots 7 and 8, Concession 10 in the Township of Marlborough; thence southeasterly along the last mentioned division line to the division line between concessions 9 and 10 in the Township of Marlborough; thence northeasterly along the northwesterly limit of Concession 9, Township of Marlborough to and continuing in a northeasterly direction along the northwesterly limit of Lot 6 in each of concessions 4, 3, 2, 1, "A" and broken front in the Township of North Gower; thence continuing in a northeasterly direction along the northwesterly limit of Lot 6, Concession 1 in the Township of Osgoode to the northeasterly limit of said Lot 6; thence southerly along the northeasterly limit of said Lot 6 to the production southwesterly of the northwesterly limit of Lot 6, Concession 2; thence northeasterly along the said production and the northwesterly limit of Lot 6, Concession 2, and its production northeasterly to the northeasterly limit of the road allowance be-

tween concessions 2 and 3; thence northwesterly along the last mentioned north-easterly limit to the southeasterly limit of the road allowance between lots 5 and 6, Concession 3; thence northeasterly along the southeasterly limit of the road allowance between lots 5 and 6 in concessions 3 to 11, both inclusive, to the southwesterly limit of the road allowance between the Township of Osgoode, County of Carleton and the Township of Cumberland, County of Russell; thence southeasterly along the last mentioned southwesterly limit to the production southwesterly of the southeasterly limit of the road allowance between the townships of Cumberland and Russell in the County of Russell; thence northeasterly along the said production of and the southeasterly limit of the last mentioned road allowance to the production southeasterly of the southwesterly limit of Concession 3 in the Township of Cumberland; thence northwesterly along the said pro-

duction and the southwesterly limit of the last mentioned Concession 3 to and continuing in a northwesterly direction along the southwesterly limit of the second concession from the Ottawa River to the southerly limit of the first concession from the Ottawa River; thence westerly along the last mentioned southerly limit to the division line between lots 10 and 11 in the last mentioned concession; thence northwesterly along the last mentioned division line to the high water mark on the southerly bank of the Ottawa River; thence westerly along the said high water mark to the place of beginning.

H. L. ROWNTREE,
Minister of Labour.

Dated at Toronto, this 5th day of February, 1964.

(229)

8

Publications Under The Regulations Act

February 29th, 1964

THE HIGHWAY TRAFFIC ACT

O. Reg. 40/64.
 General.
 Made—February 20th, 1964.
 Filed—February 21st, 1964.

REGULATION MADE UNDER THE HIGHWAY TRAFFIC ACT

1. Subsection 2 of section 4 of Regulation 227 of Revised Regulations of Ontario, 1960, as made by Ontario Regulation 322/62, is amended by adding thereto the following clauses:

- (c) for one of the six-month periods of,
 - (i) April to September, both inclusive,
 - (ii) July to December, both inclusive,
 - (iii) October to March, both inclusive,

in which case the permit expires with the last day of the six-month period for which it is issued.

- (d) for one of the nine-month periods of,
 - (i) April to December, both inclusive,
 - (ii) July to March, both inclusive,

in which case the permit expires with the last day of the nine-month period for which it is issued.

2. Items 6, 7, 8, 9 and 12 of subsection 1 of section 5 of Regulation 227 of Revised Regulations of Ontario, 1960, as remade by subsections 2, 3, 4, 5 and 6, respectively, of section 2 of Ontario Regulation 322/62, are amended by striking out "for registration on and after July 1" at the head of Column 2 and inserting in lieu thereof "for registration for a nine-month period" and by striking out "for registration on and after October 1" at the head of column 3 and inserting in lieu thereof "for registration for a six-month period".

(259) 9

THE HIGHWAY TRAFFIC ACT

O. Reg. 41/64.
 Stop Signs at Intersections.
 Made—February 20th, 1964.
 Filed—February 21st, 1964.

REGULATION MADE UNDER THE HIGHWAY TRAFFIC ACT

1. Ontario Regulation 117/62, as amended by Ontario Regulations 90/63, 182/63 and 208/63, is further amended by adding thereto the following schedules:

Schedule 14

1. Highway No. 14 in the Township of Thurlow in the County of Hastings at its intersection with Old Highway No. 14 and the roadway known as County Road No. 1.
2. Eastbound on Highway No. 14.

Schedule 15

1. Old Highway No. 14 in the Township of Thurlow in the County of Hastings at its intersection with Highway No. 14 and the roadway known as County Road No. 1.
2. Westbound on Old Highway No. 14.

Schedule 16

1. Highway No. 7 in the Township of Vaughan in the County of York at its intersection with the roadway known as Bathurst Street.
2. Westbound on Highway No. 7.

(260) 9

THE MILK INDUSTRY ACT

O. Reg. 42/64.
 Designations—Milk Products.
 Made—January 30th, 1964.
 Filed—February 21st, 1964.

REGULATION MADE UNDER THE MILK INDUSTRY ACT

1. Section 1 of Regulation 430 of Revised Regulations of Ontario, 1960, as amended by section 1 of Ontario Regulation 147/63, is further amended by adding thereto the following items:

- 4a. Ice milk.
- 4b. Ice milk mix.
-
- 11b. Sour cream.

THE MILK INDUSTRY BOARD OF ONTARIO:

G. A. McCAGUE,
Chairman.

A. J. NYHOLT,
Secretary.

Dated at Toronto, this 30th day of January, 1964.

(261) 9

THE MILK INDUSTRY ACT**O. Reg. 43/64.**

Concentrated Milk—Plan.

Made—February 18th, 1964.

Filed—February 21st, 1964.

**REGULATION MADE UNDER
THE MILK INDUSTRY ACT**

1. Section 4 of the Schedule to Regulation 426 of Revised Regulations of Ontario, 1960 is amended by adding at the end thereof "who are producers".

2. Subsection 2 of section 6 of the Schedule to Regulation 426 of Revised Regulations of Ontario, 1960 is revoked and the following substituted therefor:

- (2) On or before the 1st day of March in each year, the producers in each district shall elect the members, who shall be producers, of the District Concentrated Milk Producers' Committee on the basis of one member of the committee for each 150 producers or fraction thereof.

3. Section 7 of the Schedule to Regulation 426 of Revised Regulations of Ontario, 1960 is revoked and the following substituted therefor:

7. On or before the 31st day of March in each year, the District Concentrated Milk Producers' Committee for District 1 shall elect three members, who shall be producers, to the local board and the District Concentrated Milk Producers' Committee for District 2 shall elect five members, who shall be producers, to the local board.

4. The Schedule to Regulation 426 of Revised Regulations of Ontario, 1960 is amended by adding thereto the following section:

9. No person shall be a member of the local board or of a District Concentrated Milk Producers' Committee unless he was a producer for a period of at least six months immediately prior to his election or appointment.

(263)

9

Publications Under The Regulations Act

March 7th, 1964

THE FARM PRODUCTS MARKETING ACT

O. Reg. 44/64.
Vegetables for Processing—Marketing.
Made—February 24th, 1964.
Filed—February 25th, 1964.

REGULATION MADE UNDER THE FARM PRODUCTS MARKETING ACT

1. Section 12 of Regulation 175 of Revised Regulations of Ontario, 1960 is revoked.

THE FARM PRODUCTS MARKETING BOARD:

G. A. McCAGUE,
Chairman.

J. W. DRENNAN,
Secretary.

Dated at Toronto, this 24th day of February, 1964.

(264) 10

THE PUBLIC WORKS CREDITORS PAYMENT ACT, 1962-63

O. Reg. 45/64.
Time for Notice of Claim.
Made—August 20th, 1963.
Filed—February 26th, 1964.

REGULATION MADE UNDER THE PUBLIC WORKS CREDITORS PAYMENT ACT, 1962-63

TIME FOR NOTICE OF CLAIM

1. The period of time of ninety days referred to in subsection 1 of section 2 of the Act is reduced to thirty-seven days in respect of that class of contractor whose contract is for work for the Department of Public Works.

2. In displaying a copy of subsection 1 of section 2 of the Act as required by section 4 of the Act, every contractor whose contract is for work for the Department of Public Works shall substitute "thirty-seven days" for "ninety days".

(293) 10

THE GAME AND FISH ACT, 1961-62

O. Reg. 46/64.
Open Seasons—Deer, Moose and Black Bear.
Made—February 27th, 1964.
Filed—February 28th, 1964.

REGULATION MADE UNDER THE GAME AND FISH ACT, 1961-62

1. Section 9 of Ontario Regulation 189/63 is revoked and the following substituted therefor:

9. Black bear may be hunted in any part of Ontario from the 1st day of January to the 30th day of June, both inclusive, in the year 1964, and from the 1st day of September, 1964 to the 30th day of June, 1965, both inclusive.

(296) 10

THE LAND TITLES ACT

O. Reg. 47/64.
Rules.
Made—February 27th, 1964.
Filed—February 28th, 1964.

REGULATION MADE UNDER THE LAND TITLES ACT

1.—(1) Sub-items 1 and 2 of item 11 of Schedule 1 to Regulation 403 of Revised Regulations of Ontario, 1960, as re-made by section 1 of Ontario Regulation 203/61, are revoked and the following substituted therefor:

(1) For registration of a cessation of charge, discharge of caution, cancellation of forfeiture, release of reservation, determination of lease, discharge of notice under section 76 of the Act or similar instrument..... \$3.00

(2) The said Schedule 1, as re-made by section 1 of Ontario Regulation 203/61, is amended by adding thereto the following items:

11a.—(1) For registration of a claim for or an assignment or discharge of a lien under *The Mechanics' Lien Act*, or a vacating order or certificate of action..... \$3.00

(2) Where a claim for a lien and an assignment of the lien are contained in one instrument, the fee for registration shall be computed and is payable as though the claim and assignment were contained in separate instruments.

11b.—(1) For registration of a notice of conditional sale contract under *The Conditional Sales Act*, or a renewal, assignment or discharge thereof..... 3.00

(2) Where a notice of conditional sale contract and an assignment of the contract are contained in one instrument, the fee for registration shall be computed and is payable as though the notice and assignment were contained in separate instruments.

11c. For registration of a sheriff's notice of seizure of a charge under section 18 of *The Execution Act*, or a certificate under section 21 of that Act..... 3.00

11d.—(1) Subject to sub-item 2, where an instrument referred to in item 11, 11a, 11b or 11c mentions more parcels than one, for each parcel mentioned after the first..... 50

(2) Where an instrument referred to in item 11, 11a, 11b or 11c mentions more parcels than 100, for each parcel mentioned after the hundredth..... \$.10

2. This Regulation comes into force on the 1st day of April, 1964.

(297) 10

THE LAND TITLES ACT

O. Reg. 48/64.

Rules.

Made—February 27th, 1964.

Filed—February 28th, 1964.

REGULATION MADE UNDER THE LAND TITLES ACT

1. Item 16 of Schedule 1 to Regulation 403 of Revised Regulations of Ontario, 1960, as remade by section 1 of Ontario Regulation 203/61, is revoked.

2. This Regulation comes into force on the 1st day of April, 1964.

(298) 10

THE REGISTRY ACT

O. Reg. 49/64.

Fees.

Made—February 27th, 1964.

Filed—February 28th, 1964.

REGULATION MADE UNDER THE REGISTRY ACT

FEEES

1. In this Regulation, "parcel" means a lot or block or part thereof separately entered in the abstract index and any area of land separately described in an instrument or in a declaration attached thereto under section 33 of the Act.

2. Subject to sections 101 and 104 of the Act and except as otherwise provided by an Act of Ontario, a registrar is entitled to the fees set forth in the Schedule.

3. Where a power of attorney referring to specific land is registered, no fee is payable in respect of a parcel affected unless entry in the abstract index is requested at the time of registration.

4. Where an instrument affects land in more than one municipality in a registry division, the registration shall be considered to be one registration for the purpose of the computation of fees.

5. This Regulation comes into force on the 1st day of April, 1964.

Schedule

1. Except as hereinafter specified, for registration of any instrument, including endorsing one duplicate... \$6.00
Deed, mortgage, etc.

2.—(1) Subject to sub-item 2, where an instrument mentions more parcels than one, for each parcel mentioned after the first..... 50
Extra lots & duplicates

(2) Where an instrument mentions more parcels than 100, for each parcel mentioned after the hundredth..... \$.10

(3) For each duplicate endorsed after the first where requested at the time of registration..... .50

3.—(1) For registration of a partial or complete discharge of a mortgage.. 3.00
Discharge of mortgage

(2) Where a discharge of more than one mortgage is contained in one instrument, the fee for registration shall be computed and is payable as though the discharge of each mortgage were contained in a separate instrument.

4. For registration in the general register of an instrument, other than a claim for mechanics' lien against railway land, or an assignment or discharge thereof..... 6.00
General registrations

5. For registering notice of sale of land under power in mortgage..... 3.00
Notice of sale under mortgage

6. For registering a declaration under section 33 of the Act that is not attached to another instrument... 3.00
Declaration giving local description

7. For registration of a by-law in the by-law index..... 6.00
By-Laws

8. For registration of an annexation or amalgamation order or similar instrument..... 6.00
Annexation Orders

9.—(1) For registration of assignment of a mortgage or lease or a surrender of a lease..... 6.00
Assignments of leases and mortgages and surrenders of leases

(2) Where the assignment is by more than one assignor or to more than one assignee, for each assignor or assignee after the first..... 6.00 but, for the purpose of this sub-item, assignors or assignees whose interests are held jointly or in common shall be deemed to be one assignor or assignee, as the case may be.

(3) In addition to the fees prescribed by item 2 and by sub-items 1 and 2 of this item, where the instrument assigns or surrenders more leases or mortgages than thirty, for each lease or mortgage after the thirtieth 6.00

10.—(1) For registration of a claim for or an assignment or discharge of a lien under *The Mechanics' Lien Act*, or a vacating order or certificate of action..... 3.00
Mechanics' liens, etc.

(2) Where a claim for a lien and an assignment of the lien are contained in one instrument, the fee for registration shall be computed and is payable as though the claim and assignment were contained in separate instruments.

11.—(1) For registration of a notice of a conditional sale contract under *The Conditional Sales Act*, or a renewal, assignment or discharge thereof..... 3.00
Conditional sales, etc.

	(2) Where a notice of conditional sale contract and an assignment of the contract are contained in one instrument, the fee for registration shall be computed and is payable as though the notice and assignment were contained in separate instruments.	
Instruments re provincial land taxes, etc.	12. For registering an instrument under Part XIV of <i>The Mining Act</i> or a caution under <i>The Provincial Land Tax Act, 1961-62</i>	\$ 1.00
Notice of claim	13. For registration of a notice under <i>The Investigation of Tiles Act</i>	3.00
Sheriff's seizure of mortgage	14. For registration of a sheriff's notice of seizure of a mortgage under section 18 of <i>The Execution Act</i> , or a certificate under section 21 of that Act	3.00
Subdivision, municipal and Judges' plans	15.—(1) For registration of a plan of subdivision or a plan under section 26, 86, 92, 93 or 94 of the Act	10.00
	(2) For each lot or block created by the plan25
	(3) For certifying each duplicate plan	1.00
Plans under other Acts	16. For registration of a plan under <i>The Boundaries Act, The Highway Improvement Act, The Expropriation Procedures Act, 1962-63</i> , or any other plan required by any other Act to be registered, filed or deposited, except where the plan is deposited under <i>The Custody of Documents Act</i> , including endorsing one duplicate	6.00
Registrar's abstract preparation	17.—(1) For preparation and certification of an abstract under section 17 of the Act, for one lot or part thereof	3.00
	(2) Where the parcel for which the abstract is prepared includes all or part of more than one lot, for each lot after the first50
	(3) For each instrument in excess of ten inspected by the Registrar30
	(4) For each 100 words entered in the abstract30
Recertification	18.—(1) For recertifying an abstract, for one lot or part thereof	3.00
	(2) Where the parcel to which the abstract relates includes all or part of more than one lot, for each lot after the first50
	(3) For each instrument in excess of ten registered after the date of the abstract or last previous recertification, inspected by the Registrar30
	(4) For each 100 words entered to bring the abstract up to date30
Numbers	19. Every number used to denote a date, number, quantity, bearing, distance, whether comprised of one or more words or figures, shall be counted as one word for the purposes of items 17 and 18.	

Searches	20.—(1) Except as provided by sub-item 2, for a search of one lot in the abstract index	\$.50
	but the aggregate fee under this sub-item in respect of the production of one abstract index book and the preceding abstract index books shall not exceed \$10.	
	(2) Upon the production of one abstract index book in the registry office for the registry division of,	
	(a) East and West Riding of the County of York;	
	(b) City of Toronto; or	
	(c) County of Wentworth50
Searching alphabetical index	21. For searching the alphabetical index of names referred to in section 30 of the Act, as to each name in the books of any one township or other municipality in the registry division, 50 cents, but if a general search as to any such name is made throughout the registry division, the aggregate of fees for the search shall not exceed \$2.	
Searching general register	22. For searching the general register referred to in section 20 of the Act, as to each name50
Productions	23. For producing a registered instrument or registered plan for inspection10
Copies of Instruments	24.—(1) For typewritten or handwritten copies of instruments when required, 30 cents for each 100 words or fraction thereof.	
	(2) For a photographic or electrostatic copy of a registered instrument or part thereof, for each foolscap size page required50
	(3) Where the copy is certified by the Registrar50
Certificates	25. For each certificate furnished by the Registrar, except as otherwise herein specified	1.00
List of conveyances, etc., furnished to municipality	26. For the entry of every instrument in a list furnished under subsection 1 of section 108 of the Act20
(299)		10

THE CUSTODY OF DOCUMENTS ACT

O. Reg. 50/64.

Fees.

Made—February 27th, 1964.

Filed—February 28th, 1964.

REGULATION MADE UNDER THE CUSTODY OF DOCUMENTS ACT

FEES

1. The following fees shall be paid to the registrar of deeds:

1. For receipt of a requisition and deposit of all documents therein mentioned, including indexing in the deposit index and alphabetical deposit index, copying the document and signing the receipt on the duplicate requisition.....	\$3.00
2. Where the requisition refers to specific land, for each lot or parcel in respect of which entry is made in the abstract index.....	.10
3. For services under section 5 of the Act, no fee.	
4. For receipt of an Order under section 13 of the Act, including the entry in the deposit index.....	3.00
5. For a search of the deposit index and alphabetical index.....	.50
6. For production of a deposit.....	.10
7.—(1) For typewritten or handwritten copies of deposits when required, 30 cents for each 100 words or fraction thereof.	
(2) For a photographic or electrostatic copy of a deposit or part thereof, for each foolscap page required.....	.50
(3) Where the copy is certified by the registrar of deeds.....	.50
2. This Regulation comes into force on the 1st day of April, 1964.	
(300)	10

THE PARTNERSHIPS REGISTRATION ACT

O. Reg. 51/64.

Fees.

Made—February 27th, 1964.

Filed—February 28th, 1964.

REGULATION MADE UNDER THE PARTNERSHIPS REGISTRATION ACT

FEES

1. The following fees shall be paid to the registrar of deeds:

1.—(1) For registration of a declaration including endorsing one duplicate or a certificate of registration..... **\$3.00**

(2) For each additional duplicate endorsed or certificate, where requested at time of registration..... **.50**

2. For a certificate requested after registration or for a certificate of non-registration..... **1.00**

3.—(1) For typewritten or handwritten copies of declarations when required, 30 cents for each 100 words or fraction thereof.

(2) For a photographic or electrostatic copy of a declaration or part thereof, for each foolscap size page required..... **.50**

(3) Where the copy is certified by the registrar of deeds..... **.50**

4. For a search of the firm index or the individual index..... **.50**

5. For production of a registered declaration..... **.10**

2. This Regulation comes into force on the 1st day of April, 1964.

(301) 10

Publications Under The Regulations Act

March 14th, 1964

THE PUBLIC SERVICE ACT, 1961-62

O. Reg. 52/64.
 General.
 Made—February 19th, 1964.
 Approved—February 27th, 1964.
 Filed—March 2nd, 1964.

REGULATION MADE UNDER
 THE PUBLIC SERVICE ACT, 1961-62

1.—(1) Subsection 1 of section 9a of Ontario Regulation 190/62, as made by section 1 of Ontario Regulation 323/63, is amended by inserting after "servant" in the first line "who has served more than one year".

(2) Subsection 2 of the said section 9a, as made by section 1 of Ontario Regulation 323/63 and amended by section 1 of Ontario Regulation 346/63, is further amended by inserting after "who" in the first line "has served more than one year and".

CIVIL SERVICE COMMISSION:

D. J. COLLINS,
Chairman.

Dated at Toronto, this 19th day of February, 1964.

(303) 11

THE FARM PRODUCTS MARKETING ACT

O. Reg. 54/64.
 Asparagus—Plan.
 Made—February 27th, 1964.
 Filed—March 2nd, 1964.

REGULATION MADE UNDER
 THE FARM PRODUCTS MARKETING ACT

1. Items 1 and 4 of subsection 1 of section 10 of the Schedule to Regulation 148 of Revised Regulations of Ontario, 1960 are revoked and the following substituted therefor:

1. District 1, three members.

.

4. District 4, three members.

(305) 11

THE FARM PRODUCTS GRADES AND SALES ACT

O. Reg. 55/64.
 Flue-Cured Tobacco.
 Made—February 27th, 1964.
 Filed—March 2nd, 1964.

REGULATION MADE UNDER
 THE FARM PRODUCTS GRADES AND SALES ACT

1. Subsection 1 of section 4 of Regulation 140 of Revised Regulations of Ontario, 1960, as remade by section 1 of Ontario Regulation 36/64, is amended by inserting after "as" in the fourth line "in his opinion".

(306) 11

THE FARM PRODUCTS MARKETING ACT

O. Reg. 53/64.
 Tobacco—Marketing.
 Made—February 28th, 1964.
 Filed—March 2nd, 1964.

REGULATION MADE UNDER
 THE FARM PRODUCTS MARKETING ACT

1. Subsection 2 of section 4 of Regulation 173 of Revised Regulations of Ontario, 1960, as made by subsection 4 of section 3 of Ontario Regulation 107/63, and as amended by subsection 3 of section 2 of Ontario Regulation 108/63 and section 1 of Ontario Regulation 125/63, is revoked.

THE FARM PRODUCTS MARKETING BOARD:

G. A. McCAGUE,
Chairman.

J. W. DRENNAN,
Secretary.

Dated at Toronto, this 28th day of February, 1964.

(304) 11

THE OLEOMARGARINE ACT

O. Reg. 56/64.
 General.
 Made—February 27th, 1964.
 Filed—March 2nd, 1964.

REGULATION MADE UNDER
 THE OLEOMARGARINE ACT

1. Subsection 1 of section 7 of Regulation 458 of Revised Regulations of Ontario, 1960 is amended by inserting after "marine-animal" in the second line "marine".

2. Paragraph 1 of Form 6 of Regulation 458 of Revised Regulations of Ontario, 1960 is amended by inserting after "marine-animal" in the third line "marine".

(307) 11

THE ENERGY ACT

O. Reg. 57/64.

Spacing Units—Township of Moore.

Made—February 27th, 1964.

Filed—March 3rd, 1964.

REGULATION MADE UNDER
THE ENERGY ACT

SPACING UNITS—TOWNSHIP OF MOORE

1. This Regulation applies to lots 8, 9, 10 and 11 in Concession IV, and lots 8, 9, 10 and 11 in Concession V, all in the Township of Moore, in the County of Lambton.

2. This Regulation applies only to wells drilled to the Salina and Guelph formations of Silurian age for the production of gas and oil.

3. For the purpose of this Regulation, each lot is divided into eight tracts of approximately equal size by dividing the lot in half lengthwise and in quarters across its width, and each such tract is designated as a spacing and drainage unit.

4. No person shall,

- (a) bore or drill a well within 150 feet of the nearest limit of any highway, road allowance, railroad, power line or pipeline;
- (b) bore or drill more than one well on each unit to the Salina or Guelph formations;
- (c) bore or drill a well on a unit other than at the centre of the tract, except that where conditions require it the location may deviate 200 feet from the centre of the tract;
- (d) bore or drill or produce from a well on a unit unless he has entered into an agreement with every other person having an interest in the oil and gas in the unit or any part thereof to share the production and the costs of production in proportion to the interest held; or
- (e) produce gas from the Salina or Guelph formations within the area covered by this Regulation except with the consent of the Minister.

(345)

11

THE HOSPITAL SERVICES COMMISSION ACT

O. Reg. 58/64.

General.

Made—February 17th, 1964.

Approved—February 27th, 1964.

Filed—March 4th, 1964.

REGULATION MADE UNDER
THE HOSPITAL SERVICES COMMISSION ACT

1. Item 126 of Part I of Schedule 2 to Regulation 238 of Revised Regulations of Ontario, 1960 is revoked and the following substituted therefor:

126. Simcoe Norfolk General Hospital

2.—(1) Item 3 of Part I of Schedule 5 to Regulation 238 of Revised Regulations of Ontario, 1960 is revoked.

(2) Part I of the said Schedule 5 is amended by adding thereto the following item:

13. Marathon Wilson Memorial Hospital

HOSPITAL SERVICES COMMISSION OF ONTARIO:

J. B. NEILSON,
Chairman.

B. L. P. BROUSSEAU,
Commissioner.

Dated at Toronto, this 17th day of February, 1964.

(346)

11

THE PUBLIC HOSPITALS ACT

O. Reg. 59/64.

Classification of Hospitals.

Made—February 27th, 1964.

Filed—March 4th, 1964.

REGULATION MADE UNDER
THE PUBLIC HOSPITALS ACT

1. Item 55 under the heading "Group B Hospitals" of the Schedule to Ontario Regulation 110/63 is amended by striking out "The Norfolk Hospital" and inserting in lieu thereof "Norfolk General Hospital".

2. The Schedule to Ontario Regulation 110/63, as amended by Ontario Regulation 193/63 and 302/63, is further amended by,

(a) adding thereto the following item under the heading "Group C Hospitals":

56a. Napanee Lennox and Addington
County General Hospital

(b) adding thereto the following item under the heading "Group G Hospitals":

33aa. Napanee Lennox and Addington
County General Hospital
(Chronic Patients Unit)

(347)

11

THE HIGHWAY TRAFFIC ACT

O. Reg. 60/64.

Speed Limits.

Made—March 5th, 1964.

Filed—March 6th, 1964.

REGULATION MADE UNDER
THE HIGHWAY TRAFFIC ACT

1. Paragraph 13 of Part 4 of Schedule 9 to Regulation 232 of Revised Regulations of Ontario, 1960 is revoked and the following substituted therefor:

13. That part of the King's Highway known as No. 7 lying between a point situate 350 feet measured westerly from its intersection with the easterly limit of the Township of Markham in the said Township of Markham in the County of York and a point situate 400 feet measured easterly from its intersection with the road allowance between lots 32 and 33 in Concession 6 in the Township of Pickering in the County of Ontario.

2. Paragraph 4 of Part 4 of Schedule 13 to Regulation 232 of Revised Regulations of Ontario, 1960 is revoked and the following substituted therefor:

York—
Twp. of Whitechurch
Town of Aurora

4. That part of the King's Highway known as No. 11 in the Town of Aurora and the Township of Whitechurch in the County of York lying between a point situate 500 feet measured southerly from its intersection with the Canadian National Railways right of way and a point situate at its intersection with the line between lots 77 and 78 in Concession 1.

3. Paragraph 9 of Part 3 of Schedule 20 to Regulation 232 of Revised Regulations of Ontario, 1960 is revoked.

4.—(1) Paragraph 2 of Part 1 of Schedule 24 to Regulation 232 of Revised Regulations of Ontario, 1960 is revoked and the following substituted therefor:

Lincoln and Wentworth—
Twps. of South Grimsby and Saltfleet

2. That part of the King's Highway known as No. 20 lying between a point situate 550 feet measured westerly from its intersection with the westerly limit of the road allowance between lots 9 and 10 in Concession 9 in the Township of South Grimsby in the County of Lincoln and a point situate 1500 feet measured easterly from its intersection with the King's Highway known as No. 53 in the Township of Saltfleet in the County of Wentworth.

(2) Paragraph 3 of Part 1 of the said Schedule 24, as amended by section 7 of Ontario Regulation 15/62, is revoked.

(3) Paragraph 2 of Part 3 of the said Schedule 24 is revoked.

5.—(1) Part 1 of Schedule 31 to Regulation 232 of Revised Regulations of Ontario, 1960 is amended by adding thereto the following paragraphs:

Victoria—
Twps. of Ops and Fenelon

2. That part of the King's Highway known as No. 35 in the County of Victoria lying between a point situate 750 feet measured northerly from its intersection with the northerly limit of the King's Highway known as No. 7B in the Township of Ops and a point situate 500 feet measured southerly from its intersection with the centre of the road allowance between concessions 5 and 6 in the Township of Fenelon.

Victoria—
Twp. of Fenelon

3. That part of the King's Highway known as No. 35 in the Township of Fenelon in the County of Victoria lying between a point situate 1900 feet measured northerly from its intersection with the centre of the road allowance between concessions 5 and 6 and a point situate 550 feet measured northerly from its intersection with the northerly limit of the road allowance between lots 30 and 31 in Concession 8.

Victoria—
Twps. of Fenelon and Somerville

4. That part of the King's Highway known as No. 35 in the County of Victoria lying between a point situate 250 feet measured southerly from its intersection with the southerly limit of the road allowance between the townships of Fenelon and Somerville in the Township of Fenelon and a point situate 100 feet measured southerly from its intersection with the southerly limit of the road allowance between lots 36 and 37 in Concession Fronting on River in the Township of Somerville.

Victoria—
Twps. of Bexley and Laxton

5. That part of the King's Highway known as No. 35 in the County of Victoria lying between a point situate 300 feet measured northerly from its intersection with the centre line of the Canadian National Railways right of way in the Township of Bexley and a point situate 700 feet measured southerly from its intersection with the southerly limit of the King's Highway known as No. 503 in the Township of Laxton.

(2) Part 4 of the said Schedule 31, as remade by section 5 of Ontario Regulation 231/62, is amended by adding thereto the following paragraph:

Victoria—
Twp. of Fenelon

2. That part of the King's Highway known as No. 35 in the Township of Fenelon in the County of Victoria commencing at a point situate 500 feet measured southerly from its intersection with the centre of the road allowance between concessions 5 and 6 and extending northerly therealong for a distance of 2400 feet more or less.

6. Regulation 232 of Revised Regulations of Ontario, 1960 is amended by adding thereto the following schedules:

HIGHWAY NO. 68

Schedule 44a

PART 1

(Reserved)

PART 2

(Reserved)

PART 2a

(Reserved)

PART 3

(Reserved)

PART 4

(Reserved)

PART 5

(Reserved)

PART 6

District of Manitoulin—
Twp. of Tehkummah

1. That part of the King's Highway known as No. 68 in the Township of Tehkummah in the District of Manitoulin commencing at a point situate at the southerly limit of the said highway and extending northerly therealong for a distance of 5280 feet more or less.

HIGHWAY NO. 93

Schedule 51c

PART 1

Simcoe—
Twps. of Oro and Vespra

1. That part of the King's Highway known as No. 93 in the townships of Oro and Vespra in the County of Simcoe lying between a point situate at its intersection with the northerly limit of the King's Highway known as No. 11 and a point situate 1200 feet measured southerly from its intersection with the centre line of the roadway known as County Road No. 11.

- Simcoe—
Twps. of Oro and Vespra
2. That part of the King's Highway known as No. 93 in the townships of Oro and Vespra in the County of Simcoe lying between a point situate 1000 feet measured northerly from its intersection with the centre line of the roadway known as County Road No. 11 and a point situate 1100 feet measured southerly from its intersection with the centre line of the road allowance between the townships of Oro and Medonte and the townships of Vespra and Flos.
- Simcoe—
Twps. of Medonte and Flos
3. That part of the King's Highway known as No. 93 in the County of Simcoe lying between a point situate 1200 feet measured northerly from its intersection with the centre line of the road allowance between the townships of Oro and Medonte and the townships of Vespra and Flos in the townships of Medonte and Flos and a point situate at its intersection with the line between lots 53 and 54 in Concession 1 in the Township of Medonte.
- Simcoe—
Twps. of Medonte and Flos
4. That part of the King's Highway known as No. 93 in the County of Simcoe lying between a point situate 450 feet measured southerly from its intersection with the line between lots 56 and 57 in Concession 1 in the Township of Medonte and a point situate 400 feet measured northerly from its intersection with the line between lots 74 and 75 in Concession 1 in the townships of Medonte and Flos.

PART 2
(Reserved)
PART 2a
(Reserved)

PART 3

- Simcoe—
Twps. of Oro and Vespra
1. That part of the King's Highway known as No. 93 in the County of Simcoe commencing at a point situate 1100 feet measured southerly from its intersection with the centre line of the road allowance between the townships of Oro and Medonte and the townships of Vespra and Flos in the townships of Oro and Vespra and extending northerly therealong for a distance of 2300 feet more or less.
- Simcoe—
Twps. of Medonte and Flos
2. That part of the King's Highway known as No. 93 in the townships of Medonte and Flos in the County of Simcoe lying between a point situate 400 feet measured northerly from its intersection with the line between lots 74 and 75 in Concession 1 and a point situate at its intersection with the southerly limit of the King's Highway known as No. 27.

PART 4
(Reserved)
PART 5
(Reserved)
PART 6
(Reserved)

HIGHWAY NO. 126
Schedule 58c

PART 1
(Reserved)
PART 2
(Reserved)

PART 2a
(Reserved)
PART 3
(Reserved)
PART 4

- Middlesex—
City of London
1. That part of the King's Highway known as No. 126 in the City of London in the County of Middlesex lying between a point situate at its intersection with the southerly limit of the roadway known as Power Street and a point situate at its intersection with the northerly limit of the roadway known as Hall Street.

PART 5
(Reserved)
PART 6
(Reserved)

7. Paragraph 1 of Part 6 of Schedule 61a to Regulation 232 of Revised Regulations of Ontario, 1960, as made by section 12 of Ontario Regulation 158/62, is revoked and the following substituted therefor:

- District of Parry Sound—
Twp. of McMurrich
1. That part of the King's Highway known as No. 518 in the Township of McMurrich in the District of Parry Sound commencing at a point situate 1200 feet measured westerly from its intersection with the centre line of the road to Rainy Lake in the locality of Sprucedale and extending easterly therealong for a distance of 2900 feet more or less.

(348)

11

THE POLICE ACT

O. Reg. 61/64.
Responsibility of Policing.
Made—March 5th, 1964.
Filed—March 6th, 1964.

REGULATION MADE UNDER THE POLICE ACT

1. Item 11a of Part I of Schedule 2 to Regulation 487 of Revised Regulations of Ontario, 1960, as made by Ontario Regulation 31/62, is revoked and the following substituted therefor:

11a. Essa — that part described as follows: Beginning at the point where the line between concessions 4 and 5 intersects the southerly limit of that part of the King's Highway known as No. 90; thence southerly along the said line between concessions 4 and 5 to its intersection with the northerly limit of Township Road No. 25; thence westerly along the said northerly limit and along its production westerly to the intersection of the said production westerly of Township Road No. 25 with the westerly limit of the Township of Essa; thence northerly along the said westerly limit to its intersection with the northerly limit of the Township of Essa; thence easterly along the said northerly limit and along the southerly limit of that part of the King's Highway known as No. 90 to the place of beginning; excepting therefrom that part of the Camp Borden Military Area lying within the limits of the area hereinbefore described.

(349)

11

Publications Under The Regulations Act

March 21st, 1964

THE INDUSTRIAL STANDARDS ACT

O. Reg. 62/64.

Schedule—Men's and Boys' Clothing
Industry—Ontario.
Made—January 31st, 1964.
Approved—February 27th, 1964.
Filed—March 9th, 1964.

ORDER MADE BY THE BOARD UNDER THE INDUSTRIAL STANDARDS ACT

1. Sections 5 and 6 of the Schedule to Regulation 351 of Revised Regulations of Ontario, 1960, as remade by Ontario Regulation 369/61, are revoked and the following substituted therefor:

MINIMUM RATES OF WAGES

5.—(1) The minimum rate of wages for all work performed in the industry during the regular working periods by employees classified in subsection 1 of section 4 is,

(a) in the counties of Halton, Ontario, Peel, Wentworth and York, the hourly rate set opposite the respective classes as follows:

- i. Class A, \$1.62½.
- ii. Class B, \$1.56.
- iii. Class C, \$1.54½.
- iv. Class D, \$1.48.
- v. Class E, \$1.44½.
- vi. Class F, \$1.40.
- vii. Class G, \$1.30½.
- viii. Class H, \$1.27½.
- ix. Class I, \$1.26.
- x. Class J, \$1.25.
- xi. Class K, \$1.21½.
- xii. Class L, \$1.19.
- xiii. Class M, \$1.18.
- xiv. Class N, \$1.14½.
- xv. Class O, \$1.12½.
- xvi. Class P, \$1.08.
- xvii. Class Q, \$1.05½.
- xviii. Class R, \$1.04.
- xix. Class S, \$1.01½.
- xx. Class T, 99 cents.
- xxi. Class U, 94½ cents; and

(b) in all other parts of Ontario, the hourly rate set opposite the respective classes as follows:

- i. Class A, \$1.42.
- ii. Class B, \$1.36½.
- iii. Class C, \$1.35.
- iv. Class D, \$1.29½.
- v. Class E, \$1.26½.
- vi. Class F, \$1.22½.
- vii. Class G, \$1.14.
- viii. Class H, \$1.11½.
- ix. Class I, \$1.10½.
- x. Class J, \$1.09½.
- xi. Class K, \$1.06½.
- xii. Class L, \$1.04.
- xiii. Class M, \$1.03½.
- xiv. Class N, \$1.00.
- xv. Class O, 98½ cents.
- xvi. Class P, 94½ cents.
- xvii. Class Q, 92½ cents.
- xviii. Class R, 91 cents.
- xix. Class S, 89 cents.
- xx. Class T, 86½ cents.
- xxi. Class U, 82½ cents.

(2) The minimum rate of wages for all work performed in the industry during the regular working periods by employees classified in subsection 2 of section 4 is,

(a) in the counties of Halton, Ontario, Peel, Wentworth and York, the hourly rate set opposite the respective classes as follows:

- i. Class A, \$1.40½.
- ii. Class B, \$1.31½.
- iii. Class C, \$1.25½.
- iv. Class D, \$1.15.
- v. Class E, \$1.08.
- vi. Class F, \$1.02½.
- vii. Class G, 97 cents.
- viii. Class H, 91 cents.
- ix. Class I, 90 cents.
- x. Class J, 84½ cents.
- ix. Class K, 83½ cents; and

(b) in all other parts of Ontario, the hourly rate set opposite the respective classes as follows:

- i. Class A, \$1.23.
- ii. Class B, \$1.15.
- iii. Class C, \$1.10.
- iv. Class D, \$1.00½.
- v. Class E, 94½ cents.
- vi. Class F, 89½ cents.
- vii. Class G, 85 cents.
- viii. Class H, 79½ cents.
- ix. Class I, 79 cents.
- x. Class J, 74 cents.
- xi. Class K, 73 cents.

- 6.—(1) Where work is performed in the industry within the designated zone defined in Ontario Regulation 133/63 and the minimum rate of wages prescribed in sections 5 and 8 for an employee in that zone is less than the minimum rate of wages prescribed in Ontario Regulation 133/63 for the applicable experience, the minimum rate prescribed in sections 5 and 8 shall be increased by the amount by which it is exceeded by the minimum rate prescribed in Ontario Regulation 133/63.
- (2) Where work is performed in the industry within the zones designated in subsection 1 of section 3 of Regulation 437 of Revised Regulations of Ontario, 1960, as remade by Ontario Regulation 136/63, and the minimum rate of wages prescribed in sections 5 and 8 for an employee in any of those zones is less than the minimum rate of wages prescribed in Regulation 437 of Revised Regulations of Ontario, 1960 for the applicable experience, the minimum rate prescribed in sections 5 and 8 shall be increased by the amount by which it is exceeded by the minimum rate prescribed in Regulation 437 of Revised Regulations of Ontario, 1960, notwithstanding that Regulation 437 of Revised Regulations of Ontario, 1960 does not otherwise apply to the employee.

2. This order comes into force on the tenth day after the publication thereof in THE ONTARIO GAZETTE under *The Regulations Act*.

We concur

ADVISORY COMMITTEE FOR THE MEN'S AND BOYS'
CLOTHING INDUSTRY IN THE ONTARIO ZONE:

M. E. ENKIN
SOL SPIVAK
A. LEVINE
E. DUNKELMAN
H. H. LEWIS

INDUSTRY AND LABOUR BOARD:

E. G. GIBB,
Chairman.
J. F. NUTLAND,
Member.
H. G. PIERCY,
Member.

Dated at Toronto, this 31st day of January, 1964.

(350)

12

THE INDUSTRIAL STANDARDS ACT

O. Reg. 63/64.

Schedule—Ladies' Cloak and Suit
Industry—Ontario.
Made—February 5th, 1964.
Approved—February 27th, 1964.
Filed—March 9th, 1964.

ORDER MADE UNDER THE INDUSTRIAL STANDARDS ACT

1. Item ix of section 10 of Regulation 348 of Revised Regulations of Ontario, 1960 is amended by striking out "84 cents" and inserting in lieu thereof "\$1.00".

2. Item ix of section 11 of Regulation 348 of Revised Regulations of Ontario, 1960 is amended by striking out "\$1.26" and inserting in lieu thereof "\$1.50".

3. This Order comes into force on the tenth day after the publication thereof in THE ONTARIO GAZETTE under *The Regulations Act*.

We concur,

ADVISORY COMMITTEE FOR THE LADIES' CLOAK
AND SUIT INDUSTRY IN THE ONTARIO ZONE:

SAM MILGROM
S. KRAISMAN
S. LUBELL
N. COHEN

INDUSTRY AND LABOUR BOARD:

E. G. GIBB,
Chairman.
J. F. NUTLAND,
Member.
H. G. PIERCY,
Member.

Dated at Toronto, this 5th day of February, 1963.

(351)

12

THE PROVINCIAL PARKS ACT

O. Reg. 64/64.

Designation of Parks.
Made—March 12th, 1964.
Filed—March 16th, 1964.

REGULATION MADE UNDER THE PROVINCIAL PARKS ACT

1. Schedule 3 of Appendix A to Regulation 498 of Revised Regulations of Ontario, 1960 is amended by striking out "Excepting therefrom lands patented before the 15th day of November, 1949" in the fifty-ninth and sixtieth lines and inserting in lieu thereof,

"Excepting thereout and therefrom,

(a) lands patented before the 15th day of November, 1949; and

(b) that part of Township 28, Range 16, in the District of Algoma, being composed of a strip of land 66.0 feet in perpendicular width, separating parts of patented Mining Claim S.S.M. 3964, containing an area of 1.049

acres, be the same more or less, and which parcel or tract of land may be more particularly described as follows:

Premising that the bearings hereinafter mentioned are astronomical, and are derived from the bearing north $61^{\circ} 43' 30''$ west as shown on Department of Highways plan P-3221-3 for the centre line of the King's Highway known as No. 17 immediately west of the eastern limit of Mining Claim S.S.M. 3964.

Beginning at a point in the eastern limit of Mining Claim S.S.M. 3964 (now on file in the office of Land Titles for the District of

Algoma as parcel number 1658 A.W.S.), distant 794.67 feet measured south $0^{\circ} 48' 30''$ east along said eastern limit of Mining Claim S.S.M. 3964 from the northeastern corner thereof; thence continuing south $0^{\circ} 48' 30''$ east along said eastern limit of Mining Claim S.S.M. 3964 a further distance of 91.98 feet; thence north $46^{\circ} 39' 30''$ west a distance of 516.91 feet; thence north $43^{\circ} 19' 30''$ west 308.5 feet to the southerly limit of the King's Highway known as No. 17; thence south $61^{\circ} 43' 30''$ east thereon, a distance of 209.09 feet; thence south $43^{\circ} 19' 30''$ east a distance of 108.18 feet; thence south $46^{\circ} 39' 30''$ east 450.91 feet to the point of beginning."

(377)

12



Publications Under The Regulations Act

March 28th, 1964

THE DEPARTMENT OF TRAVEL AND PUBLICITY ACT

O. Reg. 65/64.

Grants for Regional Tourist Organizations.
 Made—March 12th, 1964.
 Filed—March 19th, 1964.

REGULATION MADE UNDER THE DEPARTMENT OF TRAVEL AND PUBLICITY ACT

1. Subclause i of clause a of subsection 2 of section 2 of Ontario Regulation 150/61 is revoked and the following substituted therefor:

- (i) any amount in excess of \$500 expended in that year for administrative expenses and salaries or remuneration of the administrative staff, and

2. Section 4 of Ontario Regulation 150/61 is amended by striking out "for purposes other than to pay administrative expenses or salaries or remuneration of the administrative staff" in the sixth, seventh and eighth lines.

(400) 13

THE HIGHWAY TRAFFIC ACT

O. Reg. 66/64.

Equipment.
 Made—March 19th, 1964.
 Filed—March 23rd, 1964.

REGULATION MADE UNDER THE HIGHWAY TRAFFIC ACT

1. Section 3 of Regulation 224 of Revised Regulations of Ontario, 1960 is revoked and the following substituted therefor:

3. The brakes required by section 35 of the Act shall be adequate to stop the vehicle or combination of vehicles referred to in column 1 of the Table within a distance not greater than the distance set opposite the vehicle or combination of vehicles in column 2 while being operated at a rate of speed of 20 miles per hour on a dry, smooth, hard asphalt or other paved surface free from loose material and having not more than 1 per cent gradient.

TABLE

Item	COLUMN 1	COLUMN 2
	Vehicle	Distance
1.	A motor vehicle having a seating capacity for less than 10 persons	25 feet
2.	A motorcycle	30 feet
3.	A commercial motor vehicle having a registered gross weight of 10,000 pounds or less	30 feet
4.	A commercial motor vehicle having a registered gross weight of more than 10,000 pounds	40 feet
5.	A combination of a motor vehicle and a trailer where the trailer has a registered gross weight of 3,000 pounds or less	40 feet
6.	A combination of a motor vehicle and a trailer where the trailer has a registered gross weight of more than 3,000 pounds or a combination of a motor vehicle and more than one trailer	50 feet

(403) 13



Publications Under The Regulations Act

April 4th, 1964

THE DEPARTMENT OF EDUCATION ACT

O. Reg. 67/64.

Assistance for Cost of Education of
Retarded Children.

Made—February 10th, 1964.

Approved—March 19th, 1964.

Filed—March 25th, 1964.

REGULATION MADE UNDER THE DEPARTMENT OF EDUCATION ACT

1. Subsection 2 of section 2 of Ontario Regulation 305/62 is revoked and the following substituted therefor:

(2) Subject to the approval of the Minister, a local association shall be paid assistance in the amount of 50 per cent of the capital cost approved by the Minister of,

(a) a new school;

(b) an addition to a school;

(c) purchase of an existing building to be used as a school;

(d) renovation and alteration of a building to be used as a school;

(e) school furnishings and equipment;

(f) new fences; or

(g) architect's fees.

(3) The assistance provided by this section shall be paid only to a local association that conducts the school in accordance with this Regulation.

WILLIAM G. DAVIS,
Minister of Education.

Toronto, February 10th, 1964.

(430)

14

Category	Item	Value
Category 1	Item 1	100
Category 1	Item 2	200
Category 2	Item 3	300
Category 2	Item 4	400
Category 3	Item 5	500
Category 3	Item 6	600
Category 4	Item 7	700
Category 4	Item 8	800
Category 5	Item 9	900
Category 5	Item 10	1000
Category 6	Item 11	1100
Category 6	Item 12	1200
Category 7	Item 13	1300
Category 7	Item 14	1400
Category 8	Item 15	1500
Category 8	Item 16	1600
Category 9	Item 17	1700
Category 9	Item 18	1800
Category 10	Item 19	1900
Category 10	Item 20	2000

Publications Under The Regulations Act

April 11th, 1964

THE SUMMARY CONVICTIONS ACT

O. Reg. 68/64.
 Traffic Ticket.
 Made—March 26th, 1964.
 Filed—March 31st, 1964.

**REGULATION MADE UNDER
 THE SUMMARY CONVICTIONS ACT**

1. Part IV of Form 1 to Regulation 550 of Revised Regulations of Ontario, 1960 is amended by striking out everything under the heading "PLEA OF GUILTY" and inserting in lieu thereof,

"I am aware that I have a right to a hearing in respect of the offence with which I am charged, that by signing this plea of guilty I am waiving my right to a hearing and that my signature may result in a conviction against me without a hearing and may result in the recording of demerit points where applicable under *The Highway Traffic Act*. I hereby plead guilty to the offence as charged.

.....
 Signature of Defendant".

(432) 15

**THE FARM PRODUCTS GRADES AND
 SALES ACT**

O. Reg. 69/64.
 Fruit and Vegetables—Grades.
 Made—March 26th, 1964.
 Filed—April 1st, 1964.

**REGULATION MADE UNDER
 THE FARM PRODUCTS GRADES AND
 SALES ACT**

1. Paragraph 2 of subsection 1 of section 128 of Regulation 141 of Revised Regulations of Ontario, 1960, as made by section 1 of Ontario Regulation 160/61

and amended by subsections 5 and 6 of section 39 of Ontario Regulation 213/62, is further amended by adding thereto the following clause:

(ba) free from damage caused by scars, insects, bruising, scratching, splits or skinning or by mechanical or other means;

2. Clause c of subsection 4 of section 128 of Regulation 141 of Revised Regulations of Ontario, 1960, as made by subsection 13 of section 39 of Ontario Regulation 213/62, is amended by striking out "5" in the first line and inserting in lieu thereof "10".

3. Subparagraph i of paragraph 36 of Schedule 1 to Regulation 141 of Revised Regulations of Ontario, 1960, as remade by subsection 3 of section 44 of Ontario Regulation 213/62, is amended by striking out "15 pounds or 20 pounds" in the second line.

(458) 15

THE TEACHERS' SUPERANNUATION ACT

O. Reg. 70/64.
 General.
 Made—March 26th, 1964.
 Filed—April 3rd, 1964.

**REGULATION MADE UNDER
 THE TEACHERS' SUPERANNUATION ACT**

1. Section 21 of Regulation 553 of Revised Regulations of Ontario, 1960, as amended by section 4 of Ontario Regulation 106/63, is further amended by adding thereto the following item:

10. Ontario Curriculum Institute.

(459) 15



Publications Under The Regulations Act

April 18th, 1964

THE HOSPITAL SERVICES COMMISSION ACT

O. Reg. 71/64.

General.

Made—March 10th, 1964.

Approved—March 26th, 1964.

Filed—April 6th, 1964.

REGULATION MADE UNDER THE HOSPITAL SERVICES COMMISSION ACT

1.—(1) Subsection 1 of section 2 of Regulation 238 of Revised Regulations of Ontario, 1960 is amended by striking out "\$2.10" in the second line and inserting in lieu thereof "\$3.25".

(2) Subsection 2 of the said section 2 is amended by striking out "\$4.20" in the second line and inserting in lieu thereof "\$6.50".

(3) Clause a of subsection 3 of the said section 2 is amended by striking out "\$2.10" in the second line and inserting in lieu thereof "\$3.25".

(4) Clause b of subsection 3 of the said section 2 is amended by striking out "\$3.40" in the second line and inserting in lieu thereof "\$5.20".

2. This Regulation comes into force on the 1st day of October, 1964.

HOSPITAL SERVICES COMMISSION OF ONTARIO:

J. B. NEILSON,
Chairman.

B. L. P. BROSSEAU,
Commissioner.

Dated at Toronto, this 10th day of March, 1964.

(460) 16

THE PUBLIC HEALTH ACT

O. Reg. 72/64.

Health Units—General.

Made—March 9th, 1964.

Approved—April 3rd, 1964.

Filed—April 8th, 1964.

REGULATION MADE UNDER THE PUBLIC HEALTH ACT

1. Subparagraph xi of Schedule 30 to Regulation 510 of Revised Regulations of Ontario, 1960, as remade by section 1 of Ontario Regulation 305/63, is revoked and the following substituted therefor:

xi. One member to be appointed by the Municipal Council of the Township of Ratter and Dunnet and the United Township of Casimir, Jennings and Appleby.

M. B. DYMOND,
Minister of Health.

Dated at Toronto, this 9th day of March, 1964.

(477) 16

THE ONTARIO MUNICIPAL EMPLOYEES RETIREMENT SYSTEM ACT, 1961-62

O. Reg. 73/64.

Employer's Contribution.

Made—March 26th, 1964.

Filed—April 9th, 1964.

Copy of an Order-in-Council approved by His Honour the Lieutenant Governor, dated the 26th day of March, 1964:

Upon the recommendation of the Honourable the Minister of Municipal Affairs, the Committee of Council advise that the 1st day of January, 1965, be designated as the date on or after which an employer shall not make a contribution for the provision of a pension to a person mentioned in section 8 of *The Ontario Municipal Employees Retirement System Act, 1961-62*, except as provided in such section.

Certified,

J. J. YOUNG,
Clerk, Executive Council.

(490) 16

THE ECONOMIC DEVELOPMENT LOANS
GUARANTEE ACT, 1962-63

O. Reg. 74/64.
General.
Made—February 20th, 1964.
Filed—April 9th, 1964.

REGULATION MADE UNDER
THE ECONOMIC DEVELOPMENT LOANS GUARANTEE ACT, 1962-63

1. Form 1 to Ontario Regulation 103/63 is revoked and the following substituted therefor:

Form 1

The Economic Development Loans Guarantee Act, 1962-63

Date....., 19.....

To : ONTARIO DEVELOPMENT AGENCY

1. LEGAL NAME OF APPLICANT COMPANY:—

.....

Mailing Address

City/Town..... Prov..... Telephone No.....

(a) Incorporated under.....

(b) Sole Proprietorship of—

..... Age.....
(Name in full, including given names)

Address.....
or

(c) Partnership of— (Give full names, ages and addresses of all partners)

(i) Age.....

(ii) Age.....

(iii) Age.....

(iv) Age.....

(d) Building(s)
Type(s)..... Size.....

Construction..... Owned or Leased.....

(e) If Subsidiary, give name and address of parent company—

Name.....

Address.....

2. NATURE OF OPERATION :—

Manufacturing..... Service.....

Assembly..... Other (specify).....

Distribution.....

3. NATURE OF BUSINESS :—

- (a) Date of commencement....., 19.....
- (b) Description of product.....
.....
- (c) Franchise or patent rights
 - (i) Owned.....
Restrictions.....
 - (ii) Licensed.....
Restrictions.....
- (d) List chief customers.....
.....
- (e) Area supplied.....
.....
- (f) List chief competitors.....
.....
.....

4. OUTLINE OF PROPOSED PROJECT :—

(Attach other data, if necessary)

- (a) Amount of your sales exported.....%,\$.....
- (b) Amount of your sales to replace imports.....%,\$.....
- (c) Will new capital enable you to:
 - (i) Increase your exports.....; or
 - (ii) Manufacture a product now imported.....
- (d) How would new capital benefit your community:
 - (i) Source of materials.....
 - (ii) Provide jobs in other industries.....
 - (iii) Other ways.....
.....

5. OPERATION OF BUSINESS :—

	Five Years Ago	Present	Anticipated Total After Loan	Export	Import Replaced
(a) Dollar Volume Sales
(b) No. of Employees

6. NEW FINANCING REQUIRED FOR :—

Acquisition of land	\$.....
New buildings or additions	\$.....
Machinery and equipment.....	\$.....
Vehicles.....	\$.....
Working Capital.....	\$.....
Other (Specify).....	\$.....
TOTAL.....	\$.....

7. LIST THE FINANCE INSTITUTIONS THAT YOU HAVE ALREADY APPROACHED TO OBTAIN THE REQUIRED FINANCING AND SUBSEQUENT RESULTS. IF REFUSED, GIVE REASON.

- (a)
- (b)
- (c)

8. PROPOSED SOURCES OF NEW FINANCING:—

From operating profit.....	\$.....
Investment by shareholders and others.....	\$.....
ONTARIO DEVELOPMENT AGENCY.....	\$.....
Other (Specify).....	\$.....
TOTAL.....	\$.....

9. COMPANY'S OPERATING RESULTS FOR LAST FIVE YEARS IF AVAILABLE (omit cents)—

Year Ended	Gross Sales or Gross Income	Operating Profit for year before Depreciation, Bad Debts & Income Tax	Depreciation	Bad Debts	Other Income	Income Tax	Net Profit or Loss
	\$.....	\$.....	\$.....	\$.....	\$.....	\$.....	\$.....
.....
.....
.....
.....

10. SUPPORTING DATA REQUIRED :—

- (a) Audited financial statements for the last five years (para. 9 refers).
- (b) Aged list of Receivables and Payables, including names of accounts.
IN ADDITION, IF AVAILABLE, PLEASE SUBMIT :
 - (c) Forecast operating, profit and loss account by months for the next fiscal year.
 - (d) Cash flow statement, by months, based on (c) above, for the next fiscal period.

11. LIST OF PRINCIPAL SHAREHOLDERS :—

Name	Check, if Director	Voting Shares	Redeemable Shares	Occupation	Home Address (City/Town)
.....					
.....					
.....					
.....					
.....					
.....					
.....					
.....					
.....					
.....					

12. LIST OF OFFICERS AND KEY STAFF :—
(authorized Signing Officers' full names to be shown)

Name	Title	Age	Years with Company	Educational Qualifications
.....				
.....				
.....				
.....				
.....				
.....				
.....				
.....				
.....				
.....				

13. CAPITAL :—

	AUTHORIZED	Issued	Par Value
Preferred Shares.....			
Common Shares.....			
Mortgage Bonds.....			Interest.....%
Debentures.....			Interest.....%
Other (Specify).....			

14. SECURITY AVAILABLE, IF ANY:—

.....

.....

.....

.....

.....

.....

.....

.....

.....

.....

- 15. Applicant's Bankers
(bank and branch).....
- Applicant's Auditors
(name and address).....
- Applicant's Solicitors
(name and address).....
- Applicant's Insurance Agent or Broker
(name and address).....

16. LINES OF CREDIT :—
This Applicant has had the following lines of Bank credit over the last five years, by way of loans, overdraft or otherwise, and has used such credit to the extent indicated below:

Year	Bank	Line of Credit	By Way of Loans (Overdraft) Trade Papers, etc.	Amount of Credit Used
.....
.....
.....
.....
.....
.....
.....

17. ADDITIONAL OR SUPPLEMENTARY DATA (attach other data if necessary):—
(List items attached)

18. FOR THE PURPOSE OF THIS APPLICATION IT IS AFFIRMED :—

- (a) That the Applicant has not borrowed any money other than in the ordinary course of business since, 19....., the date of the latest audited financial statements filed with this Application, and that there has been no material change in its financial position or operations since that date, except as noted below.
- (b) That the Applicant is not engaged in any litigation before any court, administrative board or other tribunal, and that no unsatisfied claim has been made against the Applicant which is not reflected in its latest audited annual financial statements filed herewith, except as noted below.
- (c) That neither the Applicant nor any director nor any person holding more than 25 per cent of the outstanding share capital of the applicant has been involved as debtor in any proceeding under the *Bankruptcy Act* (Canada), the *Winding-up Act* (Canada), or other act relating to bankrupt or insolvent debtors except as noted below.
- (d) That the statements and representations in the documents submitted herewith are true and correct.

.....
(Name of Applicant)

Per
(Authorized signature, with Title or description)

**THE ECONOMIC DEVELOPMENT LOANS
GUARANTEE ACT, 1962-63**

O. Reg. 75/64.

Financial Advisory Committee.
Made—February 27th, 1964.
Filed—April 9th, 1964.

**REGULATION MADE UNDER
THE ECONOMIC DEVELOPMENT LOANS
GUARANTEE ACT, 1962-63**

FINANCIAL ADVISORY COMMITTEE

1. An Advisory Committee is established under section 3 of the Act and shall consist of seven members.

2. The Committee shall advise the Lieutenant Governor in Council, through the Minister respecting,

- (a) whether or not applications for guarantees under the Act, referred to the Committee by the Minister, should be granted;
- (b) the amount of the guarantee that should be granted in respect of each application recommended and the terms and conditions that should apply to such guarantee; and
- (c) any other matter that the Lieutenant Governor in Council, through the Minister, refers to the Committee for their consideration.

3. Minutes of the meetings of the Committee shall be recorded by a permanent secretary to be provided by the Ontario Development Agency.

4. A quorum of the Committee shall consist of four members.

5.—(1) The Committee shall not recommend the granting or refusal of an application for guarantee of a loan unless at least four votes are cast in favour of the recommendation.

(2) Where a recommendation referred to in subsection 1 fails to receive the number of votes required, the application shall be referred to the Ontario Development Agency which may re-submit the application to the Committee for further consideration and vote at any time.

6. Where the appointed Chairman and Vice-Chairman are not present, the Committee may elect an acting Chairman to preside.

7. The Chairman shall determine the time and place of committee meetings and ensure that meetings are held at intervals sufficiently frequent to deal expeditiously with the applications that are pending and with any other business.

8. All committee meetings shall be held *in camera* and the members who are not civil servants shall make a declaration of secrecy which shall be in the following form:

"I the undersigned, being a member of the Financial Advisory Committee established under *The Economic Development Loans Guarantee Act, 1962-63* do hereby declare and pledge myself upon honour solemnly and inviolably as if I were sworn thereto, that I will observe the strictest secrecy in respect of all transactions of whatever description of corporations, firms and persons dealing with the Ontario Development Agency and in respect of the credit or affairs of such corporations, firms and persons, respecting which I may acquire information through my position as a member of the Financial Advisory Committee, excepting only such particulars as I may be authorized by the Minister of Economics and Development to disclose."

9.—(1) The Ontario Development Agency is responsible for the safekeeping of all reports, documents and memoranda submitted in connection with applications for guarantees.

(2) Any reports, documents or memoranda required for consideration by the Committee or any member thereof shall be returned to the Ontario Development Agency when the consideration is concluded.

(492)

16



Publications Under The Regulations Act

April 25th, 1964

THE FOREST FIRES PREVENTION ACT

O. Reg. 76/64.
Fire Districts.
Made—April 9th, 1964.
Filed—April 13th, 1964.

REGULATION MADE UNDER THE FOREST FIRES PREVENTION ACT

1. Schedule 13 of Appendix A to Regulation 184 of Revised Regulations of Ontario, 1960 is revoked and the following substituted therefor:

Schedule 13

PEMBROKE FIRE DISTRICT

In the Territorial District of Nipissing, in the County of Renfrew, and in the Provisional County of Haliburton, and described as follows:

Beginning at a point in the boundary between Ontario and Quebec where it is intersected by the easterly production of the southerly boundary of the Township of Petawawa, in the County of Renfrew; thence westerly along that production and that boundary to the northeasterly corner of that part of the Township of Alice and Fraser which was formerly the Township of Alice; thence southerly along the easterly boundary of that part to the intersection with the easterly boundary of the Township of Stafford; thence southerly along that boundary to the south-westerly corner of the Township of Pembroke; thence easterly along the southerly boundary of that township and its easterly production to the intersection with the boundary between Ontario and Quebec; thence in a general southeasterly, northerly, easterly and southerly direction along that boundary to the intersection with the production easterly of the southerly boundary of the Township of Ross; thence westerly along that production and that boundary to the southwesterly corner of that township; thence northerly along the westerly boundary of that township to the south-easterly corner of the Township of Bromley; thence westerly along the southerly boundary of that township to the southwesterly corner thereof; thence northerly along the westerly boundary of the Township of Bromley to its intersection with the high-water mark along the southerly shore of the Bonnechere River; thence in a general northwesterly direction along that high-water mark to its intersection with the westerly boundary of the Township of Grattan; thence southerly along the westerly boundary of that township to the northeasterly corner of the Township of Sebastopol; thence westerly along the northerly boundary of that township to the northwesterly corner thereof; thence northerly along the easterly boundary of that part of the Township of Brudenell and Lyndoch, which was formerly the Township of Brudenell, to the north-easterly corner of that part; thence westerly along the northerly boundaries of that part, the Township of Radcliffe and the Township of Bangor, Wicklow and McClure in the County of Hastings to the northwesterly corner of that part of the last-mentioned township, which was formerly the Township of McClure; thence northerly along the westerly boundary of the geographic Township of Sabine, in the Territorial District of Nipissing, to the southeasterly corner of that part of the Township of Sherborne, McClintock, Livingstone, Lawrence and Nightingale, in the Provisional County of Haliburton which was formerly the Township of Nightingale; thence westerly along the southerly boundaries of that part and the adjoining part of the Township of Sherborne, McClintock, Livingstone,

Lawrence and Nightingale, which was formerly the Township of Lawrence, to the southwesterly corner of the last-mentioned part; thence northerly along the westerly boundary of that part to the southerly boundary of the geographic Township of Peck, in the Territorial District of Nipissing; thence westerly along the southerly boundaries of the geographic townships of Peck and Finlayson to the centre line of the allowance for road along the easterly limit of Lot 20 in the last-mentioned geographic township; thence northerly along that centre line to the northerly boundary of that geographic township; thence westerly along the northerly boundary of that geographic township to the westerly boundary of Algonquin Provincial Park as surveyed by John G. Pierce, Ontario Land Surveyor, in the year 1959, through the geographic Township of McCraney; thence northerly along that boundary to the southerly boundary of the geographic Township of Butt; thence easterly along the southerly boundary of that geographic township to the westerly boundary of Algonquin Provincial Park as surveyed by W. E. G. Taylor, Ontario Land Surveyor, in the year 1958, through the geographic townships of Butt and Paxton; thence northerly along that boundary to the southerly boundary of the geographic Township of Ballantyne; thence easterly along the southerly boundary of that geographic township to the intersection with a line drawn south 20° 52' east from a point distant 33 feet measured south 69° 08' west from the southwesterly corner of Location C.L. 262 of record in the Department of Lands and Forests, Ontario; thence north 20° 52' west to that point distant 33 feet measured south 69° 08' west from the southwesterly corner of said Location C. L. 262; thence northerly parallel to the westerly limit of said Location C. L. 262 and distant 33 feet in perpendicular distance measured westerly therefrom, to a point distant 33 feet measured south 69° 08' west from the northwesterly corner of said Location C. L. 262; thence north 20° 52' west to the northerly boundary of the geographic Township of Ballantyne; thence easterly along the northerly boundaries of that geographic township and the geographic Township of Wilkes to the westerly boundary of the geographic Township of Pentland; thence northerly along the westerly boundary of that geographic township to the northwesterly corner thereof; thence easterly along the northerly boundary of that geographic township to the westerly boundary of the geographic Township of Boyd; thence northerly along the westerly boundary of the geographic Township of Boyd to the northwesterly corner of that geographic township; thence easterly along the northerly boundary of that geographic township to the westerly boundary of the geographic Township of Cameron; thence northerly along that boundary and the production of its northerly part to the intersection with the boundary between Ontario and Quebec; thence south-easterly along that boundary to the point of beginning.

(495)

17

THE HOSPITAL SERVICES COMMISSION ACT

O. Reg. 77/64.
General.
Made—March 25th, 1964.
Approved—April 9th, 1964.
Filed—April 15th 1964.

REGULATION MADE UNDER THE HOSPITAL SERVICES COMMISSION ACT

1. Subsection 2 of section 38 of Regulation 238 of Revised Regulations of Ontario, 1960 is revoked and the following substituted therefor:

- (2) Where a resident who is not an insured person and is not,
- (a) an Indian registered as an Indian or entitled to be registered as an Indian under the *Indian Act* (Canada); or
 - (b) an Eskimo for whose hospital care and treatment the Government of Canada is responsible,

and is at the time of admission to a hospital listed in Schedule 6, or later becomes, unable to pay for his care and treatment, the Commission shall pay the hospital in respect of insured services received by the hospital indigent the per diem rate established for the hospital by the Commission.

- (3) A person who is a hospital indigent referred to in subsections 1 or 2 is entitled to receive insured services.

2. This Regulation shall be deemed to have come into force on the 1st day of January, 1959.

HOSPITAL SERVICES COMMISSION OF ONTARIO:

J. B. NEILSON,
Chairman.

B. L. P. BROUSSEAU,
Commissioner.

Dated at Toronto, this 25th day of March, 1964.

(521)

17

THE PUBLIC HOSPITALS ACT

O. Reg. 78/64.
Special Grants.
Made—April 16th, 1964.
Filed—April 17th, 1964.

**REGULATION MADE UNDER
THE PUBLIC HOSPITALS ACT**

SPECIAL GRANTS

1. The Commission shall pay a special grant as provincial aid to each hospital listed in the Schedule in the amount shown opposite it.

2. The special grant shall be used by each hospital against its unmanageable interest-bearing debt.

3. This Regulation expires on the 15th day of May, 1964.

Schedule

Hospital	Location	Amount
Ottawa General Hospital	Ottawa	\$305,200
St. Vincent Hospital	Ottawa	242,900
St. Louis-Marie de Montfort Hospital	Ottawa	71,300
Hotel Dieu Hospital	Cornwall	119,400

(522)

17

THE PUBLIC HOSPITALS ACT

O. Reg. 79/64.
Special Grants.
Made—April 16th, 1964.
Filed—April 17th, 1964.

**REGULATION MADE UNDER
THE PUBLIC HOSPITALS ACT**

SPECIAL GRANTS

1.—(1) The Commission shall pay a special grant to each hospital listed in column 1 of the Schedule.

(2) The amount of the grant is \$75 for each bed in the hospital.

(3) For the purposes of computing the grant, the number of beds in a hospital listed in column 1 of the Schedule shall be deemed to be the number of beds set opposite thereto in column 2.

2.—(1) A hospital shall apply the special grant to retire interest-bearing debt where such debt exists.

(2) Where a hospital has no interest-bearing debt, the special grant moneys may be used for any other hospital purpose that is not an allowable cost that is paid for in the per diem rate.

3. Each hospital shall make and keep a separate detailed accounting of the special grant moneys and the use to which they are put, and shall present the accounting to the Commission at the end of the hospital fiscal year.

4. This Regulation expires on the 15th day of May, 1964.

Schedule

Column 1	Column 2
Ajax and Pickering General Hospital, Ajax..	45
The Stevenson Memorial Hospital, Alliston..	38
Almonte General Hospital, Almonte.....	41
Arnprior and District Memorial Hospital, Arnprior.....	60
Atikokan General Hospital, Atikokan.....	27
Red Cross Outpost, Bancroft.....	22
Royal Victoria Hospital of Barrie, Barrie....	208
St. Francis Memorial Hospital, Barry's Bay..	31
Red Cross Outpost, Beardmore.....	7
Belleville General Hospital, Belleville.....	259
St. Joseph's General Hospital, Blind River...	55
Memorial Hospital, Bowmanville.....	123
South Muskoka Memorial Hospital, Bracebridge.....	65
Peel Memorial Hospital, Brampton.....	195
The Brantford General Hospital, Brantford..	497
St. Joseph's Hospital, Brantford.....	167
Brant Sanatorium, Brantford.....	30
Brockville General Hospital, Brockville....	214

Column 1	Column 2
St. Vincent de Paul Hospital, Brockville . . .	105
Burk's Falls and District Red Cross Hospital, Burk's Falls	22
Joseph Brant Memorial Hospital, Burlington .	228
Campbellford Memorial Hospital, Campbell- ford	65
The Carleton Place and District Memorial Hospital, Carleton Place	30
The Lady Minto Hospital at Chapleau, Chapleau	48
Public General Hospital, Chatham	269
St. Joseph's Hospital, Chatham	173
The Chesley and District Memorial Hospital, Chesley	19
Clinton Public Hospital, Clinton	60
Coburg District General Hospital Associa- tion, Cobourg	107
The Lady Minto Hospital at Cochrane, Cochrane	70
The Collingwood General and Marine Hospital, Collingwood	125
Margaret Cochenour Memorial Hospital, Cochenour	22
The South Peel Hospital, Cooksville	115
Cornwall General Hospital, Cornwall	221
Hotel Dieu Hospital, Cornwall	250
Macdonell Memorial Hospital, Cornwall	118
Dryden District General Hospital, Dryden . .	75
Haldimand War Memorial Hospital, Dunn- ville	80
Durham Memorial Hospital, Durham	34
St. Joseph's General Hospital, Elliot Lake . .	108
Red Cross Outpost, Emo	17
Englehart and District Hospital, Englehart .	34
Espanola General Hospital, Espanola	36
South Huron Hospital, Exeter	52
Groves Memorial Community Hospital, Fergus	54
Douglas Memorial Hospital, Fort Erie	66
LaVerendrye Hospital, Fort Frances	100
McKellar General Hospital, Fort William . .	363
Westmount Hospital, Fort William	150
South Waterloo Memorial Hospital, Galt . . .	209
Georgetown District Memorial Hospital, Georgetown	67
Geraldton District Hospital, Geraldton	44
Alexandra Marine and General Hospital, Goderich	92

Column 1	Column 2
West Lincoln Memorial Hospital, Grimsby . .	58
Guelph General Hospital, Guelph	165
St. Joseph's Hospital, Guelph	314
Misericordia Hospital, Haileybury	156
Red Cross Outpost, Haliburton	9
Hamilton Civic Hospitals, Hamilton	1,189
Hamilton Health Association, Hamilton . . .	372
St. Joseph's Hospital, Hamilton	650
St. Peter's Infirmary, Hamilton	200
Hanover Memorial Hospital, Hanover	48
Notre-Dame Hospital, Hawkesbury	31
St. Coeur de Marie Hospital, Hawkesbury . .	41
Hornepayne Community Hospital, Horne- payne	13
Notre-Dame Hospital, Hearst	56
Huntsville District Memorial Hospital, Hunts- ville	65
Alexandra Hospital, Ingersoll	70
Anson General Hospital, Iroquois Falls	42
Sensenbrenner Hospital, Kapuskasing	54
Kemptville District Hospital, Kemptville . .	28
Kenora General Hospital, Kenora	76
St. Joseph's Hospital, Kenora	50
Kincardine General Hospital, Kincardine . . .	52
Hotel Dieu Hospital, Kingston	234
Kingston General Hospital, Kingston	594
St. Mary's-of-the-Lake Hospital, Kingston . .	210
Kirkland and District Hospital, Kirkland Lake	162
Freeport Sanatorium, Kitchener	89
St. Mary's General Hospital, Kitchener	357
Kitchener-Waterloo Hospital, Kitchener	431
Leamington District Memorial Hospital, Leamington	91
The Ross Memorial Hospital, Lindsay	139
Red Cross Outpost, Lion's Head	5
The Listowel Memorial Hospital, Listowel . .	68
St. Joseph's General Hospital, Little Current .	49
Parkwood Hospital, London	185
St. Joseph's Hospital, London	400
St. Mary's Hospital, London	211
Victoria Hospital, London	935
Manitouwadge General Hospital, Manitou- wadge	32

Column 1	Column 2	Column 1	Column 2
Centre Grey General Hospital, Markdale.....	52	Charlotte Eleanor Englehart Hospital, Petrolia.....	63
Bingham Memorial Hospital, Matheson.....	29	Prince Edward County Memorial Hospital, Picton.....	55
Mattawa General Hospital, Mattawa.....	33	The General Hospital of Port Arthur, Port Arthur.....	217
Meaford General Hospital, Meaford.....	50	St. Joseph's General Hospital, Port Arthur..	238
St. Andrew's Hospital, Midland.....	101	Port Colborne General Hospital, Port Colborne.....	97
Milton District Hospital, Milton.....	51	Port Hope Hospital, Port Hope.....	46
Red Cross Outpost, Mindemoya.....	16	Red Cross Outpost, Port Loring.....	5
Red Cross Outpost, Minden.....	8	Community Memorial Hospital, Port Perry..	27
The Louise Marshall Hospital, Mount Forest.	30	Red Cross Outpost, Rainy River.....	14
New Liskeard and District Hospital, New Liskeard.....	41	Red Cross Outpost, Red Lake.....	22
York County Hospital, Newmarket.....	113	The Renfrew Victoria Hospital, Renfrew....	135
The Greater Niagara General Hospital, Niagara Falls.....	305	Red Cross Outpost, Richard's Landing.....	10
The Niagara Hospital, Niagara-on-the-Lake.	34	York Central Hospital, Richmond Hill.....	126
Nipigon District Memorial Hospital, Nipigon.	24	Hotel Dieu Hospital, St. Catharines.....	286
North Bay Civic Hospital, North Bay.....	101	Niagara Peninsula Sanatorium Association, St. Catharines.....	49
St. Joseph's General Hospital, North Bay...	200	The St. Catharines General Hospital, St. Catharines.....	483
Oakville-Trafalgar Memorial Hospital, Oakville.....	206	St. Mary's Memorial Hospital, St. Mary's...	59
Dufferin Area Hospital, Orangeville.....	84	St. Thomas-Elgin General Hospital, St. Thomas.....	381
Orillia Soldiers' Memorial Hospital, Orillia...	160	St. Joseph's Hospital, Sarnia.....	328
Oshawa General Hospital, Oshawa.....	538	Sarnia General Hospital, Sarnia.....	310
Ottawa Civic Hospital, Ottawa.....	1,088	The General Hospital, Sault Ste. Marie.....	183
Ottawa General Hospital, Ottawa.....	626	The Plummer Memorial Public Hospital, Sault Ste. Marie.....	168
The Perley Hospital, Ottawa.....	215	Providence Hospital, Scarborough.....	118
St. Louis-Marie de Montfort Hospital, Ottawa.....	221	Scarborough General Hospital, Scarborough..	339
St. Vincent Hospital, Ottawa.....	511	Scott Memorial Hospital, Seaforth.....	33
Salvation Army Grace Hospital, Ottawa.....	66	Shelburne District Hospital, Shelburne.....	30
The Owen Sound General and Marine Hospital, Owen Sound.....	244	The Norfolk Hospital, Simcoe.....	106
Palmerston General Hospital, Palmerston...	39	Sioux Lookout General Hospital, Sioux Lookout.....	42
The Willett Hospital, Paris.....	61	St. Francis General Hospital, Smith's Falls..	85
The Parry Sound General Hospital, Parry Sound.....	131	The Smith's Falls Public Hospital, Smith's Falls.....	92
St. Joseph's General Hospital, Parry Sound..	59	Smooth Rock Falls Hospital, Smooth Rock Falls.....	19
General Hospital, Pembroke.....	156	Saugeen Memorial Hospital, Southampton..	35
The Pembroke Cottage Hospital, Pembroke.	146	Porcupine General Hospital, South Porcupine.	47
Penetanguishene General Hospital, Penetanguishene.....	69	Stratford General Hospital, Stratford.....	300
The Great War Memorial Hospital of Perth District, Perth.....	86	The Strathroy-Middlesex General Hospital, Strathroy.....	82
The Peterborough Civic Hospital, Peterborough.....	381		
St. Joseph's Hospital, Peterborough.....	214		

Column 1	Column 2
St. Jean de Brebeuf Hospital, Sturgeon Falls.	89
St. Joseph's Hospital, Sudbury.....	177
Sudbury General Hospital of the Immaculate Heart of Mary, Sudbury.....	326
Sudbury Memorial Hospital, Sudbury.....	230
Red Cross Outpost, Thessalon.....	14
Tillsonburg District Memorial Hospital, Tillsonburg.....	100
St. Mary's Hospital, Timmins.....	167
Baycrest Hospital, Toronto.....	87
Hillcrest Convalescent Hospital, Toronto....	120
Lockwood Clinic, Toronto.....	39
Our Lady of Mercy Hospital, Toronto.....	300
Riverdale Hospital, Toronto.....	892
St. Joseph's Hospital, Toronto.....	614
St Michael's Hospital, Toronto.....	800
Lyndhurst Lodge, Toronto.....	50
Ontario Crippled Children's Centre, Toronto.	100
Salvation Army Grace Hospital, Toronto....	109
Bloorview Hospital, Toronto.....	53
The Hospital for Sick Children, Toronto....	615
New Mount Sinai Hospital, Toronto.....	337
Ontario Cancer Institute, Toronto.....	120
The Queen Elizabeth Hospital, Toronto....	519
Queensway General Hospital, Toronto.....	198
The Runnymede Hospital, Toronto.....	114
Toronto East General and Orthopaedic Hospital, Toronto.....	600
Northwestern General Hospital, Toronto....	242
Toronto General Hospital, Toronto.....	1,265
Toronto Western Hospital, Toronto.....	785
The Wellesley Hospital, Toronto.....	283
Women's College Hospital, Toronto.....	279
Trenton Memorial Hospital, Trenton.....	136
The Cottage Hospital, Uxbridge.....	30
County of Bruce General Hospital, Walkerton	45
Sydenham District Hospital, Wallaceburg...	73
Welland County General Hospital, Welland..	338
Humber Memorial Hospital, Weston.....	304
Toronto Hospital (Chronic Illness Unit), Weston.....	60
Red Cross Outpost, Whitney.....	4
Bruce Peninsula and District Memorial Hospital, Wiarton.....	23

Column 1	Column 2
North York Branson Hospital, Willowdale...	160
St. Bernard's Convalescent Hospital, Willowdale.....	60
St. John's Convalescent Hospital, Willowdale.	208
Winchester District Memorial Hospital, Winchester.....	86
Hotel Dieu of St. Joseph's Hospital, Windsor.	485
I.O.D.E. Hospital, Windsor.....	142
Metropolitan General Hospital, Windsor....	356
Riverview Hospital, Windsor.....	292
Salvation Army Grace Hospital, Windsor....	182
Wingham and District Hospital, Wingham...	93
Woodstock General Hospital, Woodstock....	183
(523)	17

THE MOTOR VEHICLE ACCIDENT CLAIMS ACT, 1961-62

O. Reg. 80/64.
 General.
 Made—April 16th, 1964.
 Filed—April 17th, 1964.

REGULATION MADE UNDER
THE MOTOR VEHICLE ACCIDENT CLAIMS ACT 1961-62

1. Paragraph 2 of Form 1 to Ontario Regulation 155/62 is revoked and the following substituted therefor:

2. I (we) was (were) awarded judgment in the said action by.....
 (name of judge)
 at.....
 (place of judgment)
 on..... and I (we) was (were)
 (date)
 awarded the sum of \$.....
 apportioned as follows: (set out amount awarded to each judgment creditor)
\$.....
\$.....
\$.....
\$.....
 and costs which have been taxed (fixed by the trial judge) at \$.....

2. Paragraph 3 of Form 1 to Ontario Regulation 155/62 is revoked and the following substituted therefor:

3. The said judgment has become final by expiry without appeal within the time allowed for appeal (or by affirmation on appeal).

3. Paragraph 13 of Form 1 to Ontario Regulation 155/62 is revoked and the following substituted therefor:

13.—(1) I (we) was (were) paid or am (are) entitled to be paid a portion of the loss under a policy of insurance within the meaning of *The Insurance Act* (other than a policy of life insurance) in the amount of \$.....

(2) An insurer has (or insurers have) an interest in the judgment by reason of the following payments for:

- 1. Damage to automobile \$.....
- 2. Damage to other property \$.....
- 3. Medical expenses \$.....

(3) I (we) have apportioned the costs in accordance with subsection 2 of section 24 of the Act in the amount of \$.....

4. Form 1 of Ontario Regulation 155/62 is amended by adding thereto the following paragraph:

16a. To the best of my (our) knowledge the following description of the defendant's motor vehicle is reasonably accurate:

Make..... Year..... Model.....
 Registered for year.....
 under permit No.....

(524)

17

THE HIGHWAY TRAFFIC ACT

O. Reg. 81/64.
Speed Limits.
Made—April 16th, 1964.
Filed—April 17th, 1964.

REGULATION MADE UNDER THE HIGHWAY TRAFFIC ACT

1.—(1) Part 1 of Schedule 8 to Regulation 232 of Revised Regulations of Ontario, 1960, as amended by Ontario Regulations 184/61, 15/62 and 273/62, is further amended by adding thereto the following paragraph:

Grey—
 Twps. of Holland, Sullivan, Sydenham and Derby

13. That part of the King's Highway known as No. 6 and 10 in the County of Grey lying between a point situate 2000 feet measured northerly from its intersection with the centre line of the road allowance between lots 3 and 4 in Concession 1 east in the Township of Holland and Concession 1 west in the Township of Sullivan and a point situate 500 feet measured southerly from its intersection with the line between lots 13 and 14 in Concession 12 in the Township of Sydenham and Concession 1 in the Township of Derby.

(2) Part 3 of the said Schedule 8, as amended by Ontario Regulations 184/61, 15/62 and 273/62, is further amended by adding thereto the following paragraphs:

Grey—
 Twps. of Holland and Sullivan

14. That part of the King's Highway known as No. 6 and 10 in the County of Grey commencing at a point situate at its intersection with the centre line of the road allowance between lots 3 and 4 in Concession 1 east in the Township of Holland and Concession 1 west in the Township of Sullivan and extending northerly therealong for a distance of 2000 feet more or less.

Grey—
 Twps. of Sydenham and Derby

15. That part of the King's Highway known as No. 6 and 10 in the County of Grey lying between a point situate 600 feet measured southerly from its intersection with the centre line of the roadway known as Fourth Street East in the Township of Sydenham and a point situate 500 feet measured southerly from its intersection with the line between lots 13 and 14 in Concession 12 in the said Township of Sydenham and Concession 1 in the Township of Derby.

(3) Part 6 of the said Schedule 8, as amended by subsection 6 of section 4 of Ontario Regulation 184/61, is further amended by adding thereto the following paragraph:

Grey—
 Twp. of Sydenham

2. That part of the King's Highway known as No. 6 and 10 in the Township of Sydenham in the County of Grey commencing at a point situate at its intersection with the centre line of the roadway known as Fourth Street East and extending southerly therealong for a distance of 600 feet more or less.

2.—(1) Paragraph 1 of Part 3 of Schedule 10 to Regulation 232 of Revised Regulations of Ontario, 1960 is revoked and the following substituted therefor:

Lincoln—
 Twp. of Louth

City of St. Catharines

1. That part of the King's Highway known as No. 8 in the Township of Louth in the County of Lincoln lying between a point situate at its intersection with the line between lots 15 and 16 in Concession 5 and a point situate at its intersection with the centre line of the roadway known as First Street in the City of St. Catharines.

(2) Paragraph 5 of Part 5 of the said Schedule 10 is revoked.

(3) Paragraph 1 of Part 6 of the said Schedule 10 is revoked.

3.—(1) Paragraph 1 of Part 1 of Schedule 11 to Regulation 232 of Revised Regulations of Ontario, 1960 is revoked and the following substituted therefor:

Dufferin and Simcoe—
 Twps. of Mono and Tecumseth

1. That part of the King's Highway known as No. 9 lying between a point situate 1200 feet measured easterly from its intersection with the King's Highway known as No. 10 in the Township of Mono in the County of Dufferin and a point situate 300 feet measured westerly from its intersection with the westerly limit of the road allowance between lots 20 and 21 in Concession 1 in the Township of Tecumseth in the County of Simcoe.

(2) Paragraph 1 of Part 3 of the said Schedule 11 is revoked and the following substituted therefor:

Simcoe—
 Twp. of Tecumseth

1. That part of the King's Highway known as No. 9 in the Township of Tecumseth in the County of Simcoe lying between a point situate 300 feet measured westerly from its intersection with the westerly limit of the road allowance between lots

20 and 21 in Concession 1 and a point situate at its intersection with the westerly limit of the King's Highway known as No. 27.

4.—(1) Paragraph 10 of Part 1 of Schedule 12 to Regulation 232 of Revised Regulations of Ontario, 1960 is revoked and the following substituted therefor:

10. That part of the King's Highway known as No. 6 and 10 in the County of Grey lying between a point situate 2000 feet measured northerly from its intersection with the centre line of the road allowance between lots 3 and 4 in Concession 1 east in the Township of Holland and Concession 1 west in the Township of Sullivan and a point situate 500 feet measured southerly from its intersection with the line between lots 13 and 14 in Concession 12 in the Township of Sydenham and Concession 1 in the Township of Derby.

(2) Clause *b* of paragraph 8 of Part 3 of the said Schedule 12 is revoked.

(3) Paragraph 9 of Part 3 of the said Schedule 12 is revoked and the following substituted therefor:

9. That part of the King's Highway known as No. 6 and 10 in the County of Grey lying between a point situate 600 feet measured southerly from its intersection with the centre line of the roadway known as Fourth Street East in the Township of Sydenham and a point situate 500 feet measured southerly from its intersection with the line between lots 13 and 14 in Concession 12 in the said Township of Sydenham and Concession 1 in the Township of Derby.

(4) Part 3 of the said Schedule 12, as amended by Ontario Regulations 184/61, 371/61 and 34/63, is further amended by adding thereto the following paragraph:

13. That part of the King's Highway known as No. 6 and 10 in the County of Grey commencing at a point situate at its intersection with the centre line of the road allowance between lots 3 and 4 in Concession 1 east in the Township of Holland and Concession 1 west in the Township of Sullivan and extending northerly therealong for a distance of 2000 feet more or less.

(5) Part 6 of the said Schedule 12 is amended by adding thereto the following paragraph:

2. That part of the King's Highway known as No. 6 and 10 in the Township of Sydenham in the County of Grey commencing at a point situate at its intersection with the centre line of the roadway known as Fourth Street East and extending southerly therealong for a distance of 600 feet more or less.

5.—(1) Paragraph 5 of Part 1 of Schedule 13 to Regulation 232 of Revised Regulations of Ontario, 1960, as remade by subsection 1 of section 1 of Ontario Regulation 228/63, is revoked and the following substituted therefor:

5. That part of the King's Highway known as No. 11 in the District of Parry Sound lying between a point situate 100 feet measured northerly from its intersection with the centre line of the roadway known as William Street in the Village of Sundridge and a point situate 1400 feet

measured southerly from its intersection with the centre line of the roadway known as Toronto Avenue in the Village of South River.

(2) Paragraph 12 of Part 1 of the said Schedule 13, as remade by subsection 1 of section 1 of Ontario Regulation 292/63, is revoked and the following substituted therefor:

12. That part of the King's Highway known as No. 11 in the District of Timiskaming lying between a point situate 600 feet measured northerly from its intersection with the northerly limit of the roadway known as Eighth Avenue in the Town of Latchford and a point situate 500 feet measured southerly from its intersection with the southerly limit of the bridge over the watercourse known as the Blanche River in the Township of Evanturel.

(3) Paragraph 13 of Part 1 of the said Schedule 13 is revoked.

(4) Paragraph 14 of Part 1 of the said Schedule 13 is revoked and the following substituted therefor:

14. That part of the King's Highway known as No. 11 in the District of Timiskaming lying between a point situate 500 feet measured northerly from its intersection with the northerly limit of the King's Highway known as No. 560 in the Township of Dack and a point situate 1500 feet measured southerly from its intersection with the southerly limit of the King's Highway known as No. 66 in the Township of Eby.

(5) The said Schedule 13 is amended by adding thereto the following Part:

PART 2a

1. That part of the King's Highway known as No. 11 in the Township of Evanturel in the District of Timiskaming lying between a point situate at its intersection with the centre line of Concession 5 and a point situate at its intersection with the line between the townships of Dack and Evanturel.

(6) Part 4 of the said Schedule 13, as amended by Ontario Regulations 184/61, 231/62, 312/62, 292/63 and 60/64, is further amended by adding thereto the following paragraph:

17. That part of the King's Highway known as No. 11 in the District of Parry Sound lying between a point situate 700 feet measured southerly from its intersection with the southerly limit of the road allowance between lots 20 and 21 in Concession 9 in the Township of Strong and a point situate 100 feet measured northerly from its intersection with the centre line of the roadway known as William Street in the Village of Sundridge.

6. Paragraph 1 of Part 4 of Schedule 35a to Regulation 232 of Revised Regulations of Ontario, 1960, as remade by subsection 2 of section 2 of Ontario Regulation 5/63, is revoked.

7. Paragraph 5 of Part 1 of Schedule 45 to Regulation 232 of Revised Regulations of Ontario, 1960, as made by subsection 3 of section 5 of Ontario Regulation 183/62, is revoked and the following substituted therefor:

5. That part of the King's Highway known as No. 69 lying between a point situate at its intersection with the centre line of the King's Highway known as No. 103 in the Township of Medora in the District of Muskoka and a point situate 1000 feet measured northerly from its intersection with the northerly limit of the roadway known as Murray Point Road in the Township of McDougall in the District of Parry Sound.

Districts of
Muskoka and
Parry Sound—

Twps. of
Medora and
McDougall

6. That part of the King's Highway known as No. 69 in the District of Parry Sound lying between a point situate 1000 feet measured northerly from its intersection with the northerly limit of the roadway known as Hammel Road in the Township of McDougall and a point situate 1900 feet measured southerly from its intersection with the centre line of the roadway known as Pointe au Baril Road in the Township of Harrison.

District of
Parry Sound—

Twps. of
McDougall
and Harrison

(525)

17

Publications Under The Regulations Act

May 2nd, 1964

THE GAME AND FISH ACT, 1961-62

O. Reg. 82/64.

Waters Set Apart for Periods.

Made—March 31st, 1964.

Filed—April 21st, 1964.

REGULATION MADE UNDER THE GAME AND FISH ACT, 1961-62

WATERS SET APART FOR PERIODS

1. The several waters described in schedules 7, 9, 26 and 45, and known as Campbell Lake Fish Sanctuary, Dad Lake Fish Sanctuary, Lilac Lake Fish Sanctuary and Trout Lake (Rainy River) Fish Sanctuary, respectively, are set apart for the conservation or propagation of fish during the year 1965 and every second year thereafter.

2. The several waters described in schedules 3, 5, 30, 34, 38 and 43, and known as Beaverton River Fish Sanctuary, Black River Fish Sanctuary, Moon River Fish Sanctuary, Pefferlaw Brook Fish Sanctuary, Red Bay of Lake Huron Fish Sanctuary and Shawanaga River Fish Sanctuary, respectively, are set apart for the conservation or propagation of fish from the 15th day of May to the 30th day of June, both inclusive, in each year.

3.—(1) The several waters described in schedules 2 and 40, and known as Austin Bay Fish Sanctuary and Sandy Bay Fish Sanctuary, respectively, are set apart for the conservation or propagation of fish during the year 1964 and every second year thereafter.

(2) The several waters described in schedules 20 and 50, and known as Island Bay Fish Sanctuary and Whitefish Bay Fish Sanctuary, respectively, are set apart for the conservation or propagation of fish during the year 1965 and every second year thereafter.

4. The waters described in Schedule 4 and known as Bernard Creek Fish Sanctuary are set apart for the conservation or propagation of fish from the 16th day of April to the 31st day of May, both inclusive, in each year.

5. The several waters described in schedules 6, 10, 13, 16, 28, 33, 35, 46 and 49, and known as Brightwater Lake Fish Sanctuary, Dana Lake Fish Sanctuary, Emerald Lake (Sudbury) Fish Sanctuary, Gull Lake Fish Sanctuary, Manitou Lake Fish Sanctuary, Obabika Lake Fish Sanctuary, Pond Lake Fish Sanctuary, Turtleshell Lake Fish Sanctuary and Wawiashkashi Lake Fish Sanctuary, respectively, are set apart for the conservation or propagation of fish during the months of January, February, March and April in each year.

6. The several waters described in schedules 17 and 39, and known as Happyisle Lake Fish Sanctuary and Redrock Lake Fish Sanctuary, respectively, are set apart for the conservation or propagation of fish from,

(a) the 1st day of May to the 15th day of October, both inclusive, in the year 1969; and

(b) the 30th day of April to the 15th day of October, both inclusive, in the year 1966.

7. The waters described in Schedule 15 and known as Gravelly Bay Fish Sanctuary are set apart for the conservation or propagation of fish from the 1st day of May to,

(a) the 30th day of June next following, when that 30th day of June is a Tuesday, Wednesday, Thursday or Friday; or

(b) the Friday immediately preceding the 30th day of June next following, when that 30th day of June is a Saturday, Sunday or Monday,

both inclusive, in each year.

8. The several waters described in schedules 12 and 29, and known as Dickson Lake Fish Sanctuary and Merchant Lake Fish Sanctuary, respectively, are set apart for the conservation or propagation of fish from,

(a) the 1st day of May to the 15th day of October, both inclusive, in each of the years 1964 and 1970; and

(b) the 29th day of April to the 15th day of October, both inclusive, in the year 1967.

9. The waters described in Schedule 18 and known as Hay Lake and Drizzle Lake Fish Sanctuary are set apart for the conservation or propagation of fish from and including the 6th day of October to and including,

(a) the 30th day of April in the year next following, when that 30th day of April is a Tuesday, Wednesday, Thursday or Friday; or

(b) the Friday immediately preceding the 30th day of April in the year next following, when that 30th day of April is a Saturday, Sunday or Monday,

both inclusive, in each year, beginning with the 6th day of October, 1963.

10. The waters described in Schedule 22 and known as Joly Creek Fish Sanctuary are set apart for the conservation or propagation of fish from the 16th day of April to the 31st day of May, both inclusive, in each year.

11. The waters described in Schedule 23 and known as Kukagami Lake Fish Sanctuary are set apart for the conservation or propagation of fish from the 1st day of January to the 30th day of April, both inclusive, in each year.

12. The waters described in Schedule 25 and known as Lavieille Lake Fish Sanctuary are set apart for the conservation or propagation of fish from the 1st day of May to the 15th day of October, both inclusive, in each of the years 1965 and 1968.

13. The waters described in Schedule 27 and known as Long Point Bay Fish Sanctuary are set apart for the conservation or propagation of fish from the 1st day of June to the 26th day of June, both inclusive, in the year 1964.

14. The waters described in Schedule 31 and known as Nellie Lake Fish Sanctuary are set apart for the conservation or propagation of fish from the 16th day of September to the 30th day of April in the year next following, both inclusive, in each year, beginning with the 16th day of September, 1963.

15. The waters described in Schedule 32 and known as Nottawasaga River Fish Sanctuary are set apart for the conservation or propagation of fish from the

16th day of September to the 31st day of May in the year next following, both inclusive, in each year, beginning with the 16th day of September, 1963.

16. The waters described in Schedule 42 and known as Severn River Fish Sanctuary are set apart for the conservation or propagation of fish from the 1st day of April to,

- (a) the 14th day of May next following when that 14th day of May is a Monday, Tuesday, Wednesday, Thursday or Friday; or
- (b) the Friday immediately preceding the 14th day of May next following when that 14th day of May is a Saturday or Sunday,

both inclusive, in each year.

17. The waters described in Schedule 44 and known as Talbot River and Trent Canal Fish Sanctuary are set apart for the conservation or propagation of fish from the 16th day of October to the 14th day of May in the year next following, both inclusive, in each year, beginning with the 16th day of October, 1963.

18. The several waters described in schedules 8, 11 and 47, and known as Chiblow Lake Fish Sanctuary, Denman Lake Fish Sanctuary and Wakwekobi Lake Fish Sanctuary, respectively, are set apart for the conservation or propagation of fish from the 15th day of October to the 30th day of April in the year next following, both inclusive, in each year, beginning with the 15th day of October, 1963.

19. The waters described in Schedule 48 and known as Wassi Falls Fish Sanctuary are set apart for the conservation or propagation of fish from the 15th day of April to,

- (a) the 14th day of May when that 14th day of May is a Tuesday, Wednesday, Thursday or Friday; or
- (b) the Friday immediately preceding the 14th day of May when that 14th day of May is a Saturday, Sunday or Monday,

both inclusive, in each year.

20. The waters described in Schedule 51 and known as Wolfsden Lake Fish Sanctuary are set apart for the conservation or propagation of fish from the 5th day of October to the 1st day of May in the year next following, both inclusive, in each year, beginning with the 5th day of October, 1963.

21. The several waters described in schedules 1 and 36, and known as Amherst Island Fish Sanctuary and Prince Edward Fish Sanctuary, respectively, are set apart for the conservation or propagation of fish from the 15th day of November to the 31st day of December, both inclusive, in each year.

22. The several waters described in schedules 14, 19, 21, 24, 37 and 41, and known as Flack Lake Fish Sanctuary, Helenbar Lake Fish Sanctuary, Jimchrist Lake Fish Sanctuary, Lanark Lake Fish Sanctuary, Rawhide Lake Fish Sanctuary and Semiwhite Lake Fish Sanctuary, respectively, are set apart for the conservation or propagation of fish from the 10th day of February to the 30th day of April, both inclusive, during the year 1964, and from the 16th day of October to the 30th day of April in the year next following, both inclusive, in each year, beginning with the 16th day of October, 1964.

23. The waters described in Schedule 52 and known as Georgian Bay Fish Sanctuary are set apart for the conservation or propagation of fish from the 21st day of April to the 15th day of May, both inclusive, in the year 1964.

24. Regulation 204 of Revised Regulations of Ontario, 1960 and Ontario Regulations 171/61, 20/62, 87/62, 105/62, 131/62, 300/62 and 127/63 are revoked.

A. K. ROBERTS,
Minister of Lands and Forests.

Toronto, March 31st, 1964.

Schedule 1

AMHERST ISLAND FISH SANCTUARY

Beginning at a point in the high-water mark of Lake Ontario at the southwesterly extremity of Nut Island lying south of Amherst Island in Lake Ontario; thence south 45° east astronomically 1 mile; thence north 62° east astronomically 1.5 miles; thence north 32° east astronomically 6.5 miles, more or less, to the intersection with the high-water mark along the south-easterly shore of Amherst Island; thence in a south-westerly direction following that high-water mark to the intersection with the easterly limit of a strip of land joining the islands of Amherst and Nut; thence in a southerly direction following the high-water mark along the easterly limit of the said strip of land joining the said islands of Amherst and Nut to the intersection with the high-water mark along the shore of Nut Island; thence in a southeasterly and southwesterly direction following that high-water mark to the point of beginning.

Schedule 2

AUSTIN BAY FISH SANCTUARY

All that part of Austin Bay of the South Arm of Lake Timagami in the geographic Township of Vogt in the Territorial District of Nipissing, lying south of a line drawn east and west astronomically across Austin Bay from a point distant 213 chains measured south astronomically from the north boundary of that geographic township.

Schedule 3

BEAVERTON RIVER FISH SANCTUARY

That part of Beaverton River in the Township of Thorah (including Canise or Thorah Island) in the County of Ontario lying westerly of the highway known as the King's Highway No. 12.

Schedule 4

BERNARD CREEK FISH SANCTUARY

That part of Bernard Creek, known as Stirling Creek and Stoney Creek, in the Territorial District of Parry Sound and described as follows:

Beginning where Bernard Creek is intersected by the highway known as the King's Highway No. 11; thence in a general easterly, northeasterly, easterly and northeasterly direction through lots 7 to 11, both inclusive, in Concession IV and lots 9 to 13, both inclusive, in Concession V, to the right of way of the Canadian National Railways.

Schedule 5

BLACK RIVER FISH SANCTUARY

That part of Black River in the Township of Georgina in the County of York lying within Lot 1 in Concession VII and lots 1 and 2 in Concession VIII.

Schedule 6**BRIGHTWATER LAKE FISH SANCTUARY**

Brightwater Lake, known also as Clearwater Lake, in the geographic Township of Clement in the Territorial District of Nipissing.

Schedule 7**CAMPBELL LAKE FISH SANCTUARY**

Campbell Lake lying easterly of the geographic Township of McLarty in the Territorial District of Rainy River.

Schedule 8**CHIBLOW LAKE FISH SANCTUARY**

Chiblow Lake in the geographic townships of Montgomery, Patton, Scarfe and Tp. 167 in the Territorial District of Algoma.

Schedule 9**DAD LAKE FISH SANCTUARY**

Dad Lake lying easterly of the geographic Township of McLarty in the Territorial District of Rainy River.

Schedule 10**DANA LAKE FISH SANCTUARY**

Dana Lake, known also as Pine Lake, in the geographic townships of Dana and Pardo in the Territorial District of Nipissing.

Schedule 11**DENMAN LAKE FISH SANCTUARY**

Denman Lake in the geographic townships of Montgomery and Patton in the Territorial District of Algoma.

Schedule 12**DICKSON LAKE FISH SANCTUARY**

Dickson Lake in the geographic Township of Dickson in the Territorial District of Nipissing.

Schedule 13**EMERALD LAKE (SUDBURY)
FISH SANCTUARY**

Emerald Lake in the geographic Township of Afton in the Territorial District of Sudbury.

Schedule 14**FLACK LAKE FISH SANCTUARY**

In the geographic Township of Tp. 157 in the Territorial District of Algoma, located at approximate latitude 46° 35' north, longitude 82° 47' west.

Schedule 15**GRAVELLY BAY FISH SANCTUARY**

Beginning at a point in the high-water mark of the northerly shore of Lake Erie, in front of Lot 23 in Concession I in the Township of Humberstone in the County of Welland, where it is intersected by the easterly production of the northerly face of the easterly breakwater in front of the Town of Port Colborne; thence westerly along that production and that face to the westerly extremity of that breakwater; thence westerly in a straight line to the easterly extremity of

the northerly face of the westerly breakwater in front of the Town of Port Colborne; thence westerly along that face and its westerly production to the intersection with the high-water mark on the shore of Lake Erie in front of Lot 32 in Concession I in the Township of Humberstone; thence in a general northeasterly, southerly, easterly and northerly direction along that high-water mark and the westerly bank of the Welland Canal to the intersection with the southerly boundary of the highway known as the King's Highway No. 3; thence easterly along the southerly limit of that highway to the intersection with the easterly bank of the Welland Canal; thence in a general southerly and southeasterly direction along that bank and the high-water mark on the northerly shore of Lake Erie to the place of beginning.

Schedule 16**GULL LAKE FISH SANCTUARY**

Gull Lake in the geographic townships of Clement, Phyllis and Scholes, in the Territorial District of Nipissing.

Schedule 17**HAPPYISLE LAKE FISH SANCTUARY**

Happyisle Lake in the geographic Township of Bower in the Territorial District of Nipissing.

Schedule 18**HAY LAKE AND DRIZZLE LAKE
FISH SANCTUARY**

1. Lower Hay Lake and those parts of Drizzle Lake, Otter Creek and Hay Lake in the geographic Township of Sabine in the Territorial District of Nipissing.

2. That part of Otter Creek lying southerly of a dam in Lot 4 in Concession I in the geographic Township of Airy in the Territorial District of Nipissing.

3. Those parts of Drizzle Lake and Hay Lake in the Township of Clyde in the Provisional County of Haliburton.

Schedule 19**HELENBAR LAKE FISH SANCTUARY**

In the geographic Township of Tp. 151 in the Territorial District of Algoma, located at approximate latitude 46° 36' north, longitude 82° 41' west.

Schedule 20**ISLAND BAY FISH SANCTUARY**

All that part of Island Bay of the southwest arm of Lake Timagami in the geographic Township of Phyllis in the Territorial District of Nipissing, lying southeasterly of an island numbered 613.

Schedule 21**JIMCHRIST LAKE FISH SANCTUARY**

Also known as Christman Lake, in the geographic Township of Tp. 157 in the Territorial District of Algoma, located at approximate latitude 46° 35' north, longitude 82° 44' west.

Schedule 22**JOLY CREEK FISH SANCTUARY**

All of the waters of Joly Creek lying within the limits of lots 28 to 32, both inclusive, and the allowance for road between lots 30 and 31, all in Concession IX in the geographic Township of Strong in the Territorial District of Parry Sound.

Schedule 23**KUKAGAMI LAKE FISH SANCTUARY**

Kukagami Lake in the geographic townships of Davis, Kelly, Rathbun and Scadding in the Territorial District of Sudbury.

Schedule 24**LANARK LAKE FISH SANCTUARY**

In the geographic Township of Tp. 157 in the Territorial District of Algoma, located at approximate latitude 46° 34' north, longitude 82° 44' west.

Schedule 25**LAVIEILLE LAKE FISH SANCTUARY**

Lavieille Lake in the geographic townships of Anglin and Dickson in the Territorial District of Nipissing.

Schedule 26**LILAC LAKE FISH SANCTUARY**

Lilac Lake in the Territorial District of Rainy River lying between Little Vermilion Lake and Lac la Croix.

Schedule 27**LONG POINT BAY FISH SANCTUARY**

All that portion of Inner Bay, including the marshes and waters of Coletta Bay, Sturgeon Bay, Little Rice Bay and Big Rice Bay, the various channels lying south of a line drawn on an approximate bearing of north 85° east from the intersection of the southerly shore of Big Creek and the westerly shore of Inner Bay to Pottohawk Point of Ryersons Island.

Schedule 28**MANITOU LAKE FISH SANCTUARY**

Manitou Lake, known also as Devils Lake, in the geographic Township of Clement in the Territorial District of Nipissing.

Schedule 29**MERCHANT LAKE FISH SANCTUARY**

Merchant Lake in the geographic townships of Bower and Freswick in the Territorial District of Nipissing.

Schedule 30**MOON RIVER FISH SANCTUARY**

All that part of the Moon River in the geographic Township of Freeman in the Territorial District of Muskoka lying between the production southerly of the easterly limit of Lot 33 in Concession VIII and the production southerly of the westerly limit of Lot 36 in Concession X.

Schedule 31**NELLIE LAKE FISH SANCTUARY**

Nellie Lake in the geographic townships of Aurora and Calvert in the Territorial District of Cochrane.

Schedule 32**NOTTAWASAGA RIVER FISH SANCTUARY**

That southerly part of Nottawasaga River lying within Lot 1 in Concession V of the Township of Essa in the County of Simcoe.

Schedule 33**OBABIKA LAKE FISH SANCTUARY**

Obabika Lake in the geographic townships of Belfast, Le Roche and Scholes, in the Territorial District of Nipissing, and the geographic townships of Afton, Armagh and Delhi, in the Territorial District of Sudbury.

Schedule 34**PEFFERLAW BROOK FISH SANCTUARY**

That part of Pefferlaw Brook in the Township of Georgina in the County of York lying between the dam situate on Lot 23 in Concession V and the allowance for road between Concessions VI and VII.

Schedule 35**POND LAKE FISH SANCTUARY**

The waters known as Pond Lake lying between Emerald Lake and Obabika Lake in the geographic Township of Afton in the Territorial District of Sudbury.

Schedule 36**PRINCE EDWARD FISH SANCTUARY**

Beginning at a point in the high-water mark of Lake Ontario being at the southwesterly extremity of Wicked Point, also known as Salmon Point, in the Township of Athol in the County of Prince Edward; thence west astronomically 3 miles; thence south astronomically 15.5 miles, more or less, to the intersection with the International Boundary between Canada and the United States of America; thence in an easterly and northeasterly direction following that international boundary to the intersection with a line drawn south astronomically from the buoy marking Psyche Shoal; thence north astronomically 13.5 miles, more or less, to that buoy; thence in a northwesterly direction in a straight line to the intersection with the high-water mark at the most northeasterly extremity of Timber Island; thence in a southwesterly direction in a straight line to Pt. Traverse in Long Point in the Township of South Marysburgh in the County of Prince Edward; thence in a general southwesterly direction following the high-water mark of the Township of South Marysburgh and the Township of Athol to the point of beginning.

Schedule 37**RAWHIDE LAKE FISH SANCTUARY**

In the geographic Township of U in the Territorial District of Algoma, located at approximate latitude 46° 39' north, longitude 82° 37' west.

Schedule 38**RED BAY OF LAKE HURON
FISH SANCTUARY**

That part of Red Bay of Lake Huron described as follows:

Beginning at a point in the water's edge of Red Bay of Lake Huron where the same is intersected by the boundary between the townships of Amabel and Albe-marle in the County of Bruce; thence southwesterly in a straight line to the water's edge on the most easterly extremity of Main Station Island; thence south-easterly in a straight line to a point in the water's edge of Red Bay of Lake Huron where the same is intersected by the production westerly of the southerly limit of Park Lot 1 in North Range in the Townplot of Oli-phant; thence in a general northerly direction following that water's edge to the place of beginning.

Schedule 39**REDROCK LAKE FISH SANCTUARY**

Redrock Lake in the geographic Township of Bower in the Territorial District of Nipissing.

Schedule 40**SANDY BAY FISH SANCTUARY**

All that part of Ferguson Bay of the north arm of Lake Timagami known as Sandy Bay in the geographic Township of Cynthia in the Territorial District of Nipissing, lying south of a line drawn east and west astronomically across Sandy Bay from a point distant 45 chains measured south astronomically from the north boundary of that geographic township.

Schedule 41**SEMIWITE LAKE FISH SANCTUARY**

In the geographic Township of Tp. 151 in the Territorial District of Algoma, located at approximate latitude 46° 35' north, longitude 82° 41' west.

Schedule 42**SEVERN RIVER FISH SANCTUARY**

All that part of Tug Channel in the Township of Tay in the County of Simcoe and in the geographic Township of Baxter, in the Territorial District of Muskoka, and all that part of an unnamed channel connecting Little Lake and Georgian Bay, west of Island "K" at the mouth of the Severn River in the geographic Township of Baxter, lying between the northerly limit of that part of the King's Highway known as No. 103 and the southerly limit of a travelled road connecting Port Severn and Honey Harbour.

Schedule 43**SHAWANAGA RIVER FISH SANCTUARY**

That part of Shawanaga River in the geographic Township of Shawanaga in the Territorial District of Parry Sound lying westerly of the right of way of the Canadian Pacific Railway.

Schedule 44**TALBOT RIVER AND TRENT CANAL
FISH SANCTUARY**

The parts of Trent Canal and Talbot River,

(a) lying within the limits of,

(i) lots 11, 12 and 13 in Concession IX,

(ii) lots 6 to 12, both inclusive, in Con-
cession X,

(iii) lots 1 to 10, both inclusive, in Con-
cession XI, and

(iv) Lot A in Concession XII,

in the Township of Thorah (including Canise
or Thorah Island); and

(b) lying in front of,

(i) lots 1 to 10, both inclusive, in Conces-
sion A,

(ii) lots 10, 11 and 12 in Concession B, and

(iii) lots 12 and 13 in Concession C,

in the County of Ontario.

Schedule 45**TROUT LAKE (RAINY RIVER)
FISH SANCTUARY**

Trout Lake in the Territorial District of Rainy
River lying between Little Vermilion Lake and Lac la
Croix.

Schedule 46**TURTLESHELL LAKE FISH SANCTUARY**

Turtleshell Lake in the geographic townships of
Clement and Scholes in the Territorial District of
Nipissing.

Schedule 47**WAKWEKOBI LAKE FISH SANCTUARY**

Wakwekobi Lake, known also as Big Basswood
Lake, in the geographic townships of Day, Gladstone
and Kirkwood in the Territorial District of Algoma.

Schedule 48**WASSI FALLS FISH SANCTUARY**

In the geographic Township of North Himsworth
in the Territorial District of Parry Sound and being
that part of the Wistiwasung River lying between the
prolongation of the easterly limit of Lot 6 in Conces-
sion XXIV in that geographic township and the waters
of Southeast Bay of Lake Nipissing.

Schedule 49**WAWIASHKASHI LAKE FISH SANCTUARY**

Wawiashkashi Lake, known also as Grassy Lake,
in the geographic townships of Macbeth and McNish
in the Territorial District of Sudbury.

Schedule 50**WHITEFISH BAY FISH SANCTUARY**

All that part of a bay of Whitefish Bay of the north
arm of Lake Timagami, otherwise known as Hammer-
handle Bay, in the geographic townships of Aston and
Canton in the Territorial District of Nipissing, lying
west of a line drawn north and south astronomically
across Whitefish Bay from a point distant 10 chains
measured east astronomically from the west boundary
of the geographic Township of Aston.

Schedule 51

WOLFSDEN LAKE FISH SANCTUARY

Wolfsden Lake, known also as Spectacle Lake, in the Township of Sherwood, Jones and Burns in the County of Renfrew and in the geographic Township of Dickens in the Territorial District of Nipissing.

Schedule 52

GEORGIAN BAY FISH SANCTUARY

Georgian Bay of Lake Huron.

(541)

18

THE POWER COMMISSION ACT

O. Reg. 83/64.

Service Box Capacity.

Made—April 7th, 1964.

Approved—April 16th, 1964.

Filed—April 21st, 1964.

REGULATION MADE UNDER
THE POWER COMMISSION ACT

1. Ontario Regulation 17/63 is amended by renumbering section 1 as 2 and by adding thereto the following section:

1. In this Regulation, "single-family dwelling" means a house or housing unit that was not previously permanently supplied with power and that provides facilities ordinarily required for the accommodation of one family and has a separate basement or separate heating system.

2. Section 2 of Ontario Regulation 17/63, as renumbered by section 1 of this Regulation, is amended by striking out "or re-wire" in the first line.

THE HYDRO-ELECTRIC POWER COM-
MISSION OF ONTARIO:

W. R. STRIKE,
Chairman.

E. B. EASSON,
Secretary.

Dated at Toronto, this 7th day of April, 1964.

(542)

18

THE INDUSTRIAL STANDARDS ACT

O. Reg. 84/64.

Schedule—Barbering Industry—Kapusksasing.

Made—April 16th, 1964.

Filed—April 21st, 1964.

REGULATION MADE UNDER
THE INDUSTRIAL STANDARDS ACT

1. The Schedule is in force during pleasure within the Kapuskasing zone and is binding upon the employers and employees in the barbering industry.

2. This Regulation comes into force on the tenth day after the publication thereof in *The Ontario Gazette* under *The Regulations Act*.

SCHEDULE—BARBERING INDUSTRY

(KAPUSKASING ZONE)

INTERPRETATION

1. In this Schedule,

(a) "holiday" means,

(i) Sunday,

(ii) New Year's Day.

(iii) the 2nd day of January,

(iv) Good Friday,

(v) Victoria Day,

(vi) Dominion Day,

(vii) Kapuskasing Civic Holiday,

(viii) Labour Day,

(ix) Thanksgiving Day,

(x) Christmas Day, and

(xi) the 26th day of December;

(b) "week" means the period beginning with Sunday and ending with the Saturday next following, both inclusive.

HOURS OF WORK

2. No person shall perform work in the industry,

(a) on a holiday;

(b) for more than nine hours a day;

(c) before 9 a.m. or after 6 p.m. in a day; or

(d) on a day that the employer elects under section 3.

3.—(1) The employer shall elect either Monday or Wednesday as a day during which work is not to be performed by his employees.

(2) The employer shall,

(a) post conspicuously in a place where his employees are engaged in their duties; and

(b) file with the advisory committee,

a notice setting out the day during which work is not to be performed by his employees.

(3) Where an employer changes his election, he shall give thirty days' notice in writing to his employees and to the advisory committee of the new day elected.

4. Notwithstanding section 2, during a week in which,

(a) New Year's Day;

(b) Good Friday; or

(c) Christmas Day,

falls on a day other than a Sunday, nine hours of work may be performed between 9 a.m. and 6 p.m. on each day that is not a holiday.

CLASSIFICATION OF EMPLOYEES

5. The following classification of employees in the industry is established:

Class A—A person who is given full-time employment.

Class B—A person who is given part-time work or casual employment.

MINIMUM RATES OF WAGES

6.—(1) The minimum rate of wages for all work performed in the industry by employees is,

(a) for a Class A employee, 70 per cent of the proceeds from the work performed by him or \$45 a week, whichever is the greater; and

(b) for a Class B employee, \$1.50 an hour.

(2) The percentages in subsection 1 shall be computed upon the gross receipts for work performed at not less than,

(a) the minimum charge for each operation established in section 8; or

(b) the prevailing charge established in the shop for each operation,

whichever is the greater.

7. No deductions shall be made from the minimum rate of wages for,

(a) materials supplied;

(b) laundry service; or

(c) operating expenses of any kind.

MINIMUM CHARGES

8.—(1) The minimum charge for each operation in the industry is as follows:

- i. Facial massage, plain 65 cents
- ii. Hair-cut or trim for persons 14 years and over 75 cents
- iii. Hair-cut for persons under 14 years 65 cents
- iv. Head-rub 30 cents
- v. Neck-clip for ladies 30 cents
- vi. Razor honing 65 cents
- vii. Shampoo, plain 65 cents
- viii. Shave 40 cents
- ix. Singe 45 cents

(2) No employer or employee may,

(a) contract for or accept prices lower than those in subsection 1;

(b) combine any of the operations named in subsection 1 without charging for each operation in the combination; or

(c) give any article or premium to the customer without charging the full value of the article or premium.

The Board approves section 8 of this Schedule.

INDUSTRY AND LABOUR BOARD:

E. G. GIBB,
Chairman.

J. F. NUTLAND,
Member.

H. G. PIERCY,
Member.

Dated at Toronto, this 26th day of March, 1964.

(543)

18

THE CEMETERIES ACT

O. Reg. 85/64.

Closings and Removals.

Made—April 16th, 1964.

Filed—April 22nd, 1964.

REGULATION MADE UNDER THE CEMETERIES ACT

1. Regulation 42 of Revised Regulations of Ontario, 1960, as amended by Ontario Regulations 277/61, 332/61, 372/61, 192/62, 226/62, 308/62, 6/63, 48/63 and 198/63, is further amended by adding thereto the following Schedule:

Schedule 30

TRINITY ANGLICAN CHURCH CEMETERY

In the Township of Darlington in the County of Durham, containing by admeasurement three roods, more or less, being the land conveyed by an instrument registered on the 14th day of November, 1853 as No. 1311 (Darlington) from one Robert Virtue to the Lord Bishop of Toronto and being composed of part of Lot 17 in Concession 8, described as follows:

BEGINNING at a post planted in the southerly limit of the said Lot 17 at a distance of 9 chains and 7 links, more or less, easterly therealong from the southwest angle of the said Lot 17; thence easterly along the said southerly limit a distance of 3 chains and 75 links to a post planted; thence northerly at right angles to the said southerly limit, a distance of 2 chains to a post planted; thence westerly parallel to the said southerly limit, a distance of 3 chains and 75 links to a post planted; thence southerly a distance of 2 chains to the place of beginning.

(554)

18

THE ONTARIO MUNICIPAL IMPROVEMENT CORPORATION ACT

O. Reg. 86/64.

Interest on Debentures.

Made—April 16th, 1964.

Filed—April 23rd, 1964.

REGULATION MADE UNDER THE ONTARIO MUNICIPAL IMPROVEMENT CORPORATION ACT

1. Section 1 of Ontario Regulation 99/63 is amended by striking out "6" in the second line and inserting in lieu thereof "6¼".

(556)

18

THE FARM PRODUCTS MARKETING ACT

O. Reg. 87/64.
Tobacco—Plan.
Made—April 23rd, 1964.
Filed—April 24th, 1964.

REGULATION MADE UNDER THE FARM PRODUCTS MARKETING ACT

1.—(1) Section 3 of the Schedule to Regulation 174 of Revised Regulations of Ontario, 1960 is amended by inserting after "to" in the second line "the local board or".

(2) Section 9 of the said Schedule is revoked and the following substituted therefor:

9. There shall be a committee in each district to be known as "The District Flue-Cured Tobacco Growers' Committee" composed of four members elected or appointed in accordance with sections 10 to 14.

(3) Sections 10, 11 and 12 of the said Schedule are revoked and the following substituted therefor:

10.—(1) On the last Thursday in April in each year, the producers in each district group shall hold a meeting to nominate producers in the district for election as members of the local board and as members of The District Flue-Cured Tobacco Growers' Committee.

(2) Any producer in the district may nominate one producer in the district for election as a member of the local board.

(3) Any producer in the district may nominate one or more producers in the district, other than a producer nominated under subsection 2, for election as members of The District Flue-Cured Tobacco Growers' Committee.

(4) When the returning officer is satisfied that nominations under subsections 2 and 3 are complete, he shall so declare and, after giving each of the persons nominated an opportunity to decline his nomination, shall,

(a) where not more than one person is nominated for election as a member of the local board, declare him elected; and

(b) where not more than four persons are nominated for election as members of The District Flue-Cured Tobacco Growers' Committee, declare them elected.

11.—(1) In each district in which the member of the local board and the members of The District Flue-Cured Tobacco Growers' Committee were not elected by acclamation the local board shall arrange for such polling place or places as the local board determines.

(2) The second Monday in May in each year is fixed as the day for the election in each district of the member of the local board for the district and of the four members of The District Flue-Cured Tobacco Growers' Committee for the district.

(3) The time of voting shall be from 10.00 a.m. to 7.00 p.m.

(4) At least seven days before the day for the election, the local board shall give notice in writing to the producers,

(a) of the persons nominated under section 10;

(b) of the day and time of the election; and

(c) of the polling place or places at which the producers may vote.

12.—(1) The local board shall appoint a returning officer and such other persons as are required to assist him in the nominations and voting and shall furnish ballots as are required.

(2) Voting shall be by secret ballot.

(3) Where the fourth greatest number of votes for membership in The District Flue-Cured Tobacco Growers' Committee or the greatest number of votes for membership in the local board are received by more than one person, the local board shall hold such further elections as are necessary to break the tie.

(4) The member of the local board in a district is *ex officio* a member of The District Flue-Cured Tobacco Growers' Committee for the district.

(4) Subsection 1 of section 14 of the said Schedule is amended by striking out "15th day of July" in the first and second lines and inserting in lieu thereof "31st day of May".

(5) Subsection 4 of section 14 of the said Schedule is revoked and the following substituted therefor:

(4) The term of office of each member of the local board shall commence on the 1st day of June of the year in which he is elected or appointed and shall expire on the 31st day of May of the following year.

(6) Section 14 of the said Schedule is amended by adding thereto the following subsection:

(5) The term of office of each member of a District Flue-Cured Tobacco Growers' Committee shall commence on the 1st day of June of the year in which he is elected and shall expire on the 31st day of May of the following year.

(558)

18

THE HIGHWAY TRAFFIC ACT

O. Reg. 88/64.
Speed Limits.
Made—April 23rd, 1964.
Filed—April 24th, 1964.

REGULATION MADE UNDER THE HIGHWAY TRAFFIC ACT

1.—(1) Paragraph 15 of Part 3 of Schedule 1 to Regulation 232 of Revised Regulations of Ontario, 1960 is revoked.

(2) Paragraph 16 of Part 3 of the said Schedule 1 is revoked and the following substituted therefor:

16. That part of the King's Highway known as No. 2 lying between a point situate Halton and Peel—
100 feet measured westerly from its intersection with the westerly limit of the roadway known as Ennisclare Road in the Town of Oakville in the County of Twp. of Toronto

Halton and a point situate 2000 feet measured southerly from its intersection with the southerly limit of the King's Highway known as No. 122 in the Township of Toronto in the County of Peel.

(3) Part 3 of the said Schedule 1, as amended by Ontario Regulations 184/61, 371/61, 15/62, 128/62, 164/62, 262/62, 303/62, 207/63 and 18/64, is further amended by adding thereto the following paragraph:

Halton—
Town of
Oakville

35. That part of the King's Highway known as No. 2 in the Town of Oakville in the County of Halton lying between a point situate at its intersection with the westerly limit of the roadway known as Oakville-Burlington Town Line Road and its intersection with the westerly limit of the roadway known as West Street.

(4) Part 4 of the said Schedule 1, as amended by Ontario Regulations 184/61, 330/61, 371/61, 164/62 and 262/62, is further amended by adding thereto the following paragraphs:

Halton—
Town of
Oakville

31. That part of the King's Highway known as No. 2 in the Town of Oakville in the County of Halton lying between a point situate 400 feet measured easterly from its intersection with the easterly limit of the roadway known as East Street and a point situate 100 feet measured westerly from its intersection with the westerly limit of the roadway known as Holyrood Avenue.

Halton—
Town of
Oakville

32. That part of the King's Highway known as No. 2 in the Town of Oakville in the County of Halton lying between a point situate at its intersection with the westerly limit of the roadway known as Eighth Line Road and a point situate 100 feet measured westerly from its intersection with the westerly limit of the roadway known as Ennisclare Road.

(5) Paragraph 3 of Part 5 of the said Schedule 1 is revoked and the following substituted therefor:

Halton—
Town of
Oakville

3. That part of the King's Highway known as No. 2 in the Town of Oakville in the County of Halton lying between a point situate at its intersection with the westerly limit of the roadway known as West Street and a point situate 400 feet measured easterly from its intersection with the easterly limit of the roadway known as East Street.

(6) Paragraph 4 of Part 5 of the said Schedule 1 is revoked.

2.—(1) Part 2 of Schedule 7 to Regulation 232 of Revised Regulations of Ontario, 1960 is revoked and the following substituted therefor:

PART 2

Halton—
Town of
Oakville

1. That part of the King's Highway known as No. 5 in the Town of Oakville in the County of Halton lying between a point situate at its intersection with the easterly limit of the roadway known as Oakville-Burlington Town Line Road and a point situate at its intersection with the easterly limit of the roadway known as Oakville-Toronto Town Line Road.

(2) Paragraph 2 of Part 4 of the said Schedule 7 is revoked.

3.—(1) Paragraph 1 of Part 1 of Schedule 26 to Regulation 232 of Revised Regulations of Ontario, 1960 is revoked and the following substituted therefor:

Halton—
Town of
Oakville

1. That part of the King's Highway known as No. 25 in the Town of Oakville in the County of Halton lying between a point situate at its intersection with the northerly limit of the King's Highway known as No. 5 and a point situate 1200 feet measured southerly from its intersection with the southerly limit of the roadway known as County Road No. 7.

(2) Part 2a of the said Schedule 26, as made by subsection 1 of section 8 of Ontario Regulation 330/61, is amended by adding thereto the following paragraph:

Halton—
Town of
Oakville

3. That part of the King's Highway known as No. 25 in the Town of Oakville in the County of Halton commencing at a point situate 1200 feet measured southerly from its intersection with the southerly limit of the roadway known as County Road No. 7 and extending northerly therealong for a distance of 3542 feet more or less.

4. Regulation 232 of Revised Regulations of Ontario, 1960 is amended by adding thereto the following Schedule:

HIGHWAY No. 122

Schedule 57d

PART 1

Halton
and Peel—
Twp. of
Toronto
Town of
Oakville

1. That part of the King's Highway known as No. 122 lying between a point situate at its intersection with the southerly limit of the King's Highway known as the Queen Elizabeth Way in the Town of Oakville in the County of Halton and a point situate at its intersection with the southerly limit of the King's Highway known as No. 2 in the Township of Toronto in the County of Peel.

(559)

18

THE WILDERNESS AREAS ACT

O. Reg. 89/64.
Wilderness Areas.
Made—April 23rd, 1964.
Filed—April 27th, 1964.

REGULATION MADE UNDER
THE WILDERNESS AREAS ACT

1. Schedule 26 to Regulation 567 of Revised Regulations of Ontario, 1960 is revoked and the following substituted therefor:

Schedule 26

PORPHYRY ISLAND WILDERNESS AREA

Part of Porphyry Island situate in Lake Superior, in the Territorial District of Thunder Bay, located at approximate latitude 48° 23' north and longitude 88° 38' west, containing an area of 264 acres, more or less, described as follows:

Beginning at a point in the water's edge on the westerly shore of that island where the same is intersected by the production northwesterly of the north-

easterly limit of Location PP 736 of record in the Department of Lands and Forests, Ontario; thence south $61^{\circ} 41'$ east astronomically along that production and the northeasterly limit of that location 302.00 feet, more or less, to the most easterly corner of that location; thence south $28^{\circ} 19'$ west astronomically 300 feet to the most southerly corner of that location; thence north $61^{\circ} 41'$ west astronomically along the southwesterly limit of that location and its production northwesterly 328.6 feet, more or less, to the water's edge on the westerly shore of Porphyry Island; thence in a general southwesterly direction following that water's edge to the intersection with the production northwesterly of the northeasterly limit of Location DC 46 of record in the Department of Lands and Forests, Ontario; thence south $31^{\circ} 32' 30''$ east astronomically along that production and the northeasterly limit of that location 159.36 feet, more or less, to the most easterly corner of that location; thence south $58^{\circ} 27' 30''$ west astronomically 200.00 feet to the most southerly corner of that location; thence north $31^{\circ} 32' 30''$ west astronomically along the southwesterly limit of that location and its production northwesterly 198.8 feet, more or less, to the water's edge on the westerly shore of Porphyry Island; thence in a general southwesterly, northeasterly, northerly and southwesterly direction following the water's edge on the easterly and westerly shores of that island to the point of beginning.

Saving and excepting therefrom Location D.T. 10 containing 7.56 acres, more or less, described as follows:

Beginning at a point in the southwesterly limit of Location D. C. 46 distant 66.19 feet measured on a course of north $31^{\circ} 32' 30''$ west from the most southerly corner of said Location D. C. 46; thence south $45^{\circ} 44'$ west 202.72 feet; thence south $33^{\circ} 37' 10''$ west 154.99 feet; thence south $42^{\circ} 44' 55''$ west 169.61 feet; thence south $40^{\circ} 09' 10''$ west 507.78 feet; thence south $41^{\circ} 41' 25''$ west 359.93 feet; thence south $42^{\circ} 57' 10''$ west 290.29 feet; thence south $13^{\circ} 49' 25''$ west 81.82 feet; thence south $30^{\circ} 29' 25''$ west 442.07 feet; thence south $55^{\circ} 51' 50''$ west 345.40 feet; thence south $26^{\circ} 50' 20''$ west 250.25 feet; thence south $01^{\circ} 30' 25''$ west 97.72 feet; thence south $39^{\circ} 03' 10''$ west 200.53 feet; thence south $23^{\circ} 36' 10''$ west 343.24 feet; thence south $52^{\circ} 41' 40''$ west 30.89 feet; thence north $0^{\circ} 22' 50''$ west 26.22 feet to a survey post planted at a point, said point hereinafter being referred to as Point A; thence south $89^{\circ} 37' 10''$ west 50 feet to a survey post planted in the high-water mark of Lake Superior; thence continuing south $89^{\circ} 37' 10''$ west to the water's edge of Lake Superior; thence in a general southwesterly, southerly and northeasterly direction following the said water's edge to a point in a line drawn on a course of south $0^{\circ} 22' 50''$ east from the hereinbefore mentioned Point A; thence north $0^{\circ} 22' 50''$ west 436.11 feet, more or less, to a point distant 63.78 feet measured south $0^{\circ} 22' 50''$ east from said Point A; thence north $52^{\circ} 41' 40''$ east 61.21 feet; thence north $23^{\circ} 36' 10''$ east 346.96 feet; thence north $39^{\circ} 03' 10''$ east 206.67 feet; thence north $01^{\circ} 30' 25''$ east 101.18 feet; thence north $26^{\circ} 50' 20''$ east 235.75 feet; thence north $55^{\circ} 51' 50''$ east 344.40 feet; thence north $30^{\circ} 29' 25''$ east 453.23 feet; thence north $13^{\circ} 49' 25''$ east 78.42 feet; thence north $42^{\circ} 57' 10''$ east 282.81 feet; thence north $41^{\circ} 41' 25''$ east 360.67 feet; thence north $40^{\circ} 09' 10''$ east 507.52 feet; thence north $42^{\circ} 44' 55''$ east 171.33 feet; thence north $33^{\circ} 37' 10''$ east 154.21 feet; thence north $45^{\circ} 44'$ east 192.76 feet to a point in the southwesterly limit of said Location D. C. 46; thence north $31^{\circ} 32'$

$30''$ west along the said southwesterly limit of Location D. C. 46, a distance of 30.76 feet, more or less, to the point of beginning.

2. Schedule 37 to Regulation 567 of Revised Regulations of Ontario, 1960, as made by Ontario Regulation 251/63, is revoked and the following substituted therefor:

Schedule 37

PUKASKWA WILDERNESS AREA

In the geographic townships of Tp. 32, Range 23, Tp. 33, Range 23, Tp. 33, Range 24 and Tp. 32, Range 24, in the Territorial District of Algoma, and territory in the Territorial District of Thunder Bay, described as follows:

Beginning at a point in the high-water mark of Lake Superior defining the southeast corner of the geographic Township of Tp. 32, Range 23, in the Territorial District of Algoma; thence northerly along the east boundary of the geographic townships of Tp. 32, Range 23 and Tp. 32, Range 24 to the northeast corner of the last-mentioned geographic township; thence westerly along the north boundary of the geographic townships of Tp. 32, Range 24 and Tp. 33, Range 24 to the northwest corner of the last-mentioned geographic township; thence northerly along the boundary between the territorial districts of Algoma and Thunder Bay to the intersection with a line drawn west astronomically from a point in the east boundary of the geographic Township of Tp. 33, Range 27 distant 3 miles measured southerly along the said east boundary from the northeast corner of the geographic Township of Tp. 33, Range 27; thence west astronomically in the Territorial District of Thunder Bay a distance of 9.5 miles, more or less, to a point distant 16 miles measured west astronomically from a point in the east boundary of the geographic Township of Tp. 33, Range 27 in the Territorial District of Algoma distant 3 miles measured southerly thereon from the northeast corner of the geographic Township of Tp. 33, Range 27; thence south astronomically a distance of 4 miles; thence west astronomically a distance of 14 miles; thence north astronomically a distance of 3 miles; thence west astronomically a distance of 15 miles, more or less, to the intersection with the high-water mark along the easterly shore of Lake Superior; thence in a general southeasterly, easterly, northeasterly and easterly direction following the said high-water mark of Lake Superior in all its windings to the point of beginning.

Together with all of the adjacent islands in Lake Superior lying westerly, southwesterly and southerly of the above-described land.

Excepting therefrom Richardson Harbour Island Wilderness Area and Ganley Harbour Wilderness Area.

Excepting therefrom lands patented before the 1st day of October, 1963.

Publications Under The Regulations Act

May 9th, 1964

THE DIVISION COURTS ACT

O. Reg. 90/64.

Courts.

Made—April 23rd, 1964.

Filed—April 27th, 1964.

REGULATION MADE UNDER THE DIVISION COURTS ACT

1. Paragraph 2 of Schedule 23a to Regulation 115 of Revised Regulations of Ontario, 1960, as made by section 1 of Ontario Regulation 161/63, is revoked and the following substituted therefor:

2. That part of the Territorial District of Cochrane described as follows: Commencing at the southeasterly angle of the geographic Township of Dokis; thence westerly along the boundary between the territorial districts of Cochrane and Timiskaming to the south-easterly angle of the geographic Township of Thomas; thence northerly along the easterly boundary of the geographic townships of Thomas, Macklem and German to the south-westerly angle of the geographic Township of Clergue; thence easterly along the southerly boundary of the geographic townships of Clergue and Walker to the southeasterly angle of the geographic Township of Walker; thence northerly along the easterly boundary of the said geographic Township of Walker to the northeasterly angle thereof; thence easterly along the northerly boundaries of the geographic townships of Wilkie, Coulson and Warden to the southeasterly angle of the geographic Township of Kerrs; thence northerly along the easterly boundary of the geographic Township of Kerrs to the southerly shore of Lake Abitibi; thence in a general easterly direction following along the southerly shore of Lake Abitibi to the easterly boundary of the District of Cochrane; thence southerly along the last-mentioned boundary to the place of commencement.

2. Paragraph 2 of Schedule 26 to Regulation 115 of Revised Regulations of Ontario, 1960, as amended by section 2 of Ontario Regulation 161/63, is revoked and the following substituted therefor:

2. That part of the Territorial District of Cochrane described as follows: Commencing at the intersection of the northerly shore of Lake Abitibi with the easterly boundary of the District; thence in a general westerly direction following along the northerly shore of the lake to its intersection with the southerly boundary of the geographic Township of Bowyer; thence westerly along the southerly boundary of the geographic townships of Bowyer, Marathon, Sherring, Mortimer, Pyne, St. John and Hanna to the easterly boundary of the geographic Township of Duff; thence southerly along the easterly boundary of the geographic townships of Duff and Tully to the southeasterly boundary of the geographic Township of Tully; thence easterly along the southerly boundary of the geographic townships of Little and McCart to the north-westerly angle of the geographic Township of Clergue; thence southerly along the westerly boundary of the geographic Township of Clergue to the southwesterly angle thereof;

thence easterly along the southerly boundary of the geographic townships of Clergue and Walker to the southeasterly angle of the geographic Township of Walker; thence northerly along the easterly boundary of the said geographic township to the boundary between the geographic townships of Walker and Teefy; thence easterly along the southerly boundaries of the geographic townships of Teefy, Rickard, Knox and Kerrs to the easterly boundary of the geographic Township of Kerrs; thence northerly along that boundary to the southerly shore of Lake Abitibi; thence in a general easterly direction following along the southerly shore of the lake to the easterly boundary of the District; thence northerly along the last-mentioned boundary to the place of commencement.

3. Subparagraph ii of paragraph 2 of Schedule 36 to Regulation 115 of Revised Regulations of Ontario, 1960 is revoked and the following substituted therefor:

ii. The townships of Rochester, Tilbury North and Tilbury West.

4. Schedule 39 to Regulation 115 of Revised Regulations of Ontario, 1960 is revoked.

(574)

19

THE ST. LAWRENCE PARKS COMMISSION ACT

O. Reg. 91/64.

Parks.

Made—April 1st, 1964.

Approved—April 23rd, 1964.

Filed—April 28th, 1964.

REGULATION MADE UNDER THE ST. LAWRENCE PARKS COMMISSION ACT

1. Section 6 of Regulation 469 of Revised Regulations of Ontario, 1960 is amended by adding thereto the following subsection:

(3) No person shall smoke in a building or other structure in the Parks where the Commission has erected a sign forbidding smoking.

2. Subsection 3 of section 9 of Regulation 469 of Revised Regulations of Ontario, 1960 is amended by striking out "Subject to" in the first line and inserting in lieu thereof "Notwithstanding".

3. Section 13 of Regulation 469 of Revised Regulations of Ontario, 1960, as amended by section 1 of Ontario Regulation 211/61, is further amended by striking out "8 a.m." in the second line and inserting in lieu thereof "9:00 a.m.".

4. Section 17 of Regulation 469 of Revised Regulations of Ontario, 1960 is revoked and the following substituted therefor:

17. A camp-site permit authorizes the permittee and his party to camp for a period specified in the permit, but not exceeding twenty-eight days, in the camp-site designated in the permit.

5. Section 19 of Regulation 469 of Revised Regulations of Ontario, 1960 is amended by striking out "clause *a* or *b* of" in the second line.

6. Subsection 2 of section 22 of Regulation 469 of Revised Regulations of Ontario, 1960, as remade by section 3 of Ontario Regulation 211/61, is amended by striking out "at any time until the 31st day of March next following" in the sixth and seventh lines and inserting in lieu thereof "on any day until the 15th day of October next following".

7.—(1) Clause *a* of section 23 of Regulation 469 of Revised Regulations of Ontario, 1960, as remade by section 4 of Ontario Regulation 211/61, is amended by striking out "\$1" in the third line and inserting in lieu thereof "\$2".

(2) Clause *b* of the said section 23, as remade by section 4 of Ontario Regulation 211/61, is amended by striking out "\$2" in the third line and inserting in lieu thereof "\$4".

8.—(1) Clause *a* of subsection 1 of section 23*a* of Regulation 469 of Revised Regulations of Ontario, 1960, as made by section 4 of Ontario Regulation 211/61, is amended by striking out "\$1.25" in the second line and inserting in lieu thereof "\$1.50".

(2) Clause *a* of subsection 2 of the said section 23*a*, as made by section 4 of Ontario Regulation 211/61, is revoked and the following substituted therefor:

(a) for each person over fifteen years of age,

(i) \$2 from the opening date in each year until Labour Day, and

(ii) \$1 from the day after Labour Day until the closing date in each year.

(3) Subsection 3 of the said section 23*a*, as made by section 4 of Ontario Regulation 211/61, is amended by striking out "\$2.50" in the fourth line and inserting in lieu thereof "\$3".

9. Section 23*b* of Regulation 469 of Revised Regulations of Ontario, 1960, as made by section 4 of Ontario Regulation 211/61, is amended by inserting after "23*a*" in the first line "other than a fee referred to in subclause ii of clause *a* of subsection 2 of section 23*a*".

10. Regulation 469 of Revised Regulations of Ontario, 1960, as amended by Ontario Regulation 211/61, is further amended by adding thereto the following sections:

23*c*.—(1) Subject to subsection 2, the fee for the use of the golf course at Chrysler Farm Battlefield Park by a person over sixteen years of age is,

(a) \$2.50 a day on Monday, Tuesday, Wednesday, Thursday or Friday; and

(b) \$3 a day on Saturday, Sunday or a holiday.

(2) The fee for a season ticket entitling a person over sixteen years of age to use the golf course at Chrysler Farm Battlefield Park on any day during the period between the opening date and the closing date of the golf course in a year is,

(a) \$40 for a man;

(b) \$25 for a woman; or

(c) \$50 for a husband and wife.

23*d*.—(1) The fee for the use of the golf course at Chrysler Farm Battlefield Park by a person under sixteen years of age is,

(a) \$1.50 a day on Monday, Tuesday, Wednesday, Thursday or Friday; or

(b) \$20 for a season ticket entitling the person to use the golf course on any Monday, Tuesday, Wednesday, Thursday or Friday during the period between the opening date and the closing date of the golf course in a year.

(2) No person under sixteen years of age shall use the golf course at Chrysler Farm Battlefield Park on a Saturday, Sunday or a holiday.

THE ST. LAWRENCE PARKS COMMISSION:

FERN GUINDON,
Chairman.

GEORGE TINDAL,
Secretary-Treasurer.

Dated at Morrisburg, this 1st day of April, 1964.

(577)

19

THE TEACHERS' SUPERANNUATION ACT

O. Reg. 92/64.

General.

Made—April 23rd, 1964.

Filed—April 30th, 1964.

REGULATION MADE UNDER THE TEACHERS' SUPERANNUATION ACT

1. Regulation 553 of Revised Regulations of Ontario, 1960 is amended by adding thereto the following section:

34. Any co-ordinator or teacher who was employed before the 1st day of September, 1962, under Programme 5 of the Federal-Provincial Technical and Vocational Training Agreement may contribute to the Fund in respect of such employment before such date by paying into the Fund on or before the 30th day of June, 1964, an amount equal to the amounts that he would have contributed if he had been a contributor during such period, together with interest at the rate of 4 $\frac{1}{2}$ per cent per annum compounded half-yearly.

(587)

19

THE GAME AND FISH ACT, 1961-62

O. Reg. 93/64.

Waters Set Apart for Periods.

Made—April 27th, 1964.

Filed—May 1st, 1964.

REGULATION MADE UNDER THE GAME AND FISH ACT, 1961-62

1. Section 2 of Ontario Regulation 82/64 is amended by striking out "30" in the second line and "Moon River Fish Sanctuary" in the third and fourth lines.

2. Section 10 of Ontario Regulation 82/64 is revoked and the following substituted therefor:

10. The several waters described in schedules 22 and 30, and known as Joly Creek Fish Sanctuary and Moon River Fish Sanctuary are set apart for the conservation or propagation of fish from the 16th day of April to the 31st day of May, both inclusive, in each year.

3. Ontario Regulation 82/64 is amended by adding thereto the following section:

23a. The waters described in Schedule 6a and known as Bruton East Fish Sanctuary are set apart for the conservation or propagation of fish from the 1st day of May to the 31st day of December, both inclusive, in the year 1964.

4. Ontario Regulation 82/64 is further amended by adding thereto the following Schedule:

Schedule 6a

BRUTON EAST FISH SANCTUARY

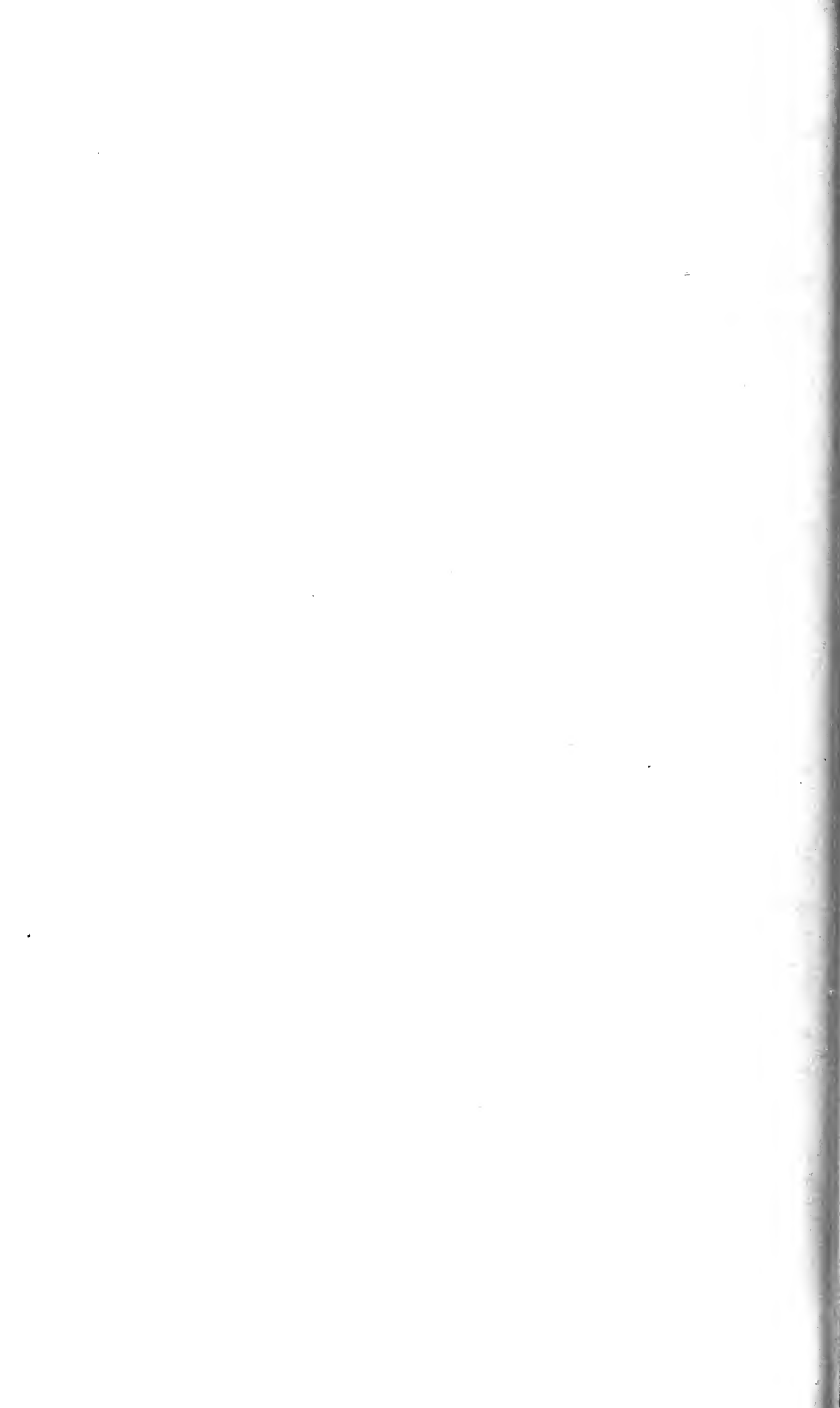
All of the waters in the Township of Bruton, in the Provisional County of Haliburton, lying easterly of the westerly limit of Lot 15, in concessions I to XIII, inclusive, in the said Township of Bruton, saving and excepting the waters of Kingscote Lake.

A. K. ROBERTS,
Minister of Lands and Forests.

Toronto, April 27th, 1964.

(589)

19



Publications Under The Regulations Act

May 16th, 1964

THE GAME AND FISH ACT, 1961-62

O. Reg. 94/64.

Hunter Safety Training Courses.

Made—April 30th, 1964.

Filed—May 4th, 1964.

REGULATION MADE UNDER THE GAME AND FISH ACT, 1961-62

HUNTER SAFETY TRAINING COURSES

1. In this Regulation, "instructor" means an instructor in hunter safety training.

2. The Minister may appoint as an instructor in hunter safety training any person who, in the opinion of the Minister, is competent to conduct a course of instruction in the safe handling of fire-arms by hunters.

3.—(1) An instructor shall give to any person who applies to the instructor therefor such course in the safe handling of fire-arms by hunters as is determined by the Minister.

(2) The course shall be given at such times and in such places as the instructor determines.

4. Upon the successful completion of a course by a candidate, the instructor shall issue a certificate of competence to the candidate.

5. Regulation 193 of Revised Regulations of Ontario, 1960 is revoked.

(603)

20

THE MINIMUM WAGE ACT

O. Reg. 95/64.

General in Oshawa, Toronto, Hamilton Zone.

Made—May 4th, 1964.

Filed—May 4th, 1964.

ORDER MADE UNDER THE MINIMUM WAGE ACT

General in Oshawa, Toronto, Hamilton Zone

1.—(1) Clause *a* of section 2 of Ontario Regulation 133/63 is revoked and the following substituted therefor:

(a) a secondary-school student who performs work without pay in a business or commercial establishment for not more than two weeks in the school year under The Diversified Occupational Programme of the Department of Education.

(2) Clause *d* of the said section 2 is amended by inserting after "organization" in the fourth line "or employed at a camp for children".

(3) Clause *g* of the said section 2 is amended by inserting after "nurse" in the fifth line "nursing assistant, dental technician".

2. Section 3 of Ontario Regulation 133/63 is revoked and the following substituted therefor:

3.—(1) Subject to section 4, every employer shall pay to each employee, other than an employee to whom subsection 2 or 3 applies, a minimum hourly rate of wages of \$1.

(2) Every employer shall pay a minimum hourly rate of wages of 60 cents to a person under eighteen years of age working as a foot or bicycle messenger or delivery boy or as a news vendor or a bowling alley pin setter or as a shoe-shine boy or while employed,

(a) as a caddie or in the professional shop at a golf course;

(b) in a public library operated by a municipality; or

(c) in an amusement or refreshment booth at a fair or exhibition held in whole or in part by an association under *The Agricultural Associations Act*, an agricultural society under *The Agricultural Societies Act*, or at a fair that contains an exhibition, place of amusement or contrivance for amusement that may be prohibited, regulated or licensed by a municipality under *The Municipal Act*.

(3) Subject to subsection 2, every employer shall pay a minimum hourly rate of wages of 80 cents to,

(a) a student who is not required by his employer to work more than twenty-eight hours in any week; or

(b) a seasonal worker in a plant processing perishable fruits or vegetables and who is employed to work in the processing of perishable fruits or vegetables for not more than sixteen weeks in a calendar year.

3. Section 4 of Ontario Regulation 133/63 is revoked and the following substituted therefor:

4.—(1) Every employer may, during the first four-month period of employment of an employee who is employed by that employer as a learner and is not paid on a piece-work basis, pay to that employee a minimum hourly rate of wages of not more than 10 cents less than the minimum rate of wages prescribed in section 3.

(2) Subject to section 6, every employer may, in the case of an employee who is employed by that employer as a learner and is paid on a piece-work basis, pay to that employee, the equivalent of,

(a) for the first three-month period of his employment, a minimum hourly rate of wages of not more than 20 cents less; and

(b) for the next following three-month period of his employment, a minimum hourly rate of wages of not more than 10 cents less,

than the minimum hourly rate of wages prescribed in section 3.

(3) The number of employees who may be employed as learners shall not exceed one-fifth of the employer's total number of employees and, where the total number of employees is fewer than five, only one employee may be employed as a learner.

(4) No person shall be paid as a learner who,

(a) holds a certificate of apprenticeship or certificate of qualification issued under *The Apprenticeship and Tradesmen's Qualification Act, 1964*;

(b) being an office worker, holds a Secondary School graduation diploma of a commercial course, or has completed a course of instruction in business and office practice that is provided by a trade school registered under *The Trade Schools Regulation Act*;

(c) is employed for less than twenty-eight hours per week; or

(d) is a person to whom subsection 2 or 3 of section 3 applies.

4. Section 5 of Ontario Regulation 133/63 is revoked and the following substituted therefor:

5.—(1) Subject to subsection 2, for the purpose of determining the minimum wages that shall be paid to an employee,

(a) the employee shall be deemed to be working during the time that he is required by his employer to remain in his place of employment, whether or not he is otherwise working;

(b) an employee who is required by his employer to report at his place of employment and who works less than three hours on any day shall be paid the prescribed minimum rate of wages for at least three hours,

but clause *b* of this section does not apply to a student who is not employed by his employer to work more than twenty-eight hours in any week.

(2) Subsection 1 does not apply where the employer is unable to provide work for the employee because of fire, lightning, power failure, storms or other like causes of work stoppage beyond the control of the employer.

5. Section 6 of Ontario Regulation 133/63 is revoked and the following substituted therefor:

6. Where an employer is paying his employees, or any group of them on a piece-work basis, he shall be deemed to have complied with this Order if at least four-fifths of the total number of such employees receive wages equivalent to at least the rate prescribed by section 3.

6. Ontario Regulation 133/63 is amended by adding thereto the following section:

8. No deduction shall be made from the minimum wage for the purchase, use, laundering or cleaning of uniforms, aprons, caps or similar articles of apparel.

7. This Order comes into force on the 29th day of June, 1964.

INDUSTRY AND LABOUR BOARD:

E. G. GIBB,
Chairman.

H. G. PIERCY,
Member.

J. F. NUTLAND,
Member.

Dated at Toronto, this 4th day of May, 1964.

(607)

20

THE MINIMUM WAGE ACT

O. Reg. 96/64.

Hotel and Restaurant Workers in Oshawa,
Toronto, Hamilton Zone.

Made—May 4th, 1964.

Filed—May 4th, 1964.

ORDER MADE UNDER THE MINIMUM WAGE ACT

Hotel and Restaurant Workers in Oshawa, Toronto,
Hamilton Zone

1. Clause *a* of section 1 of Ontario Regulation 135/63 is amended by striking out "five" in the tenth line and inserting in lieu thereof "six".

2. Section 2 of Ontario Regulation 135/63 is revoked and the following substituted therefor:

2.—(1) Subject to subsection 4, every employer shall pay to each employee, other than an employee to whom subsection 2 or 3 applies, employed in the hotel and restaurant business in the designated zone a minimum hourly rate of wages of \$1.

(2) Every employer shall pay a minimum hourly rate of wages of 60 cents to a person under eighteen years of age working as a foot or bicycle messenger or delivery boy or as a news vendor, bowling alley pin setter or shoe-shine boy.

(3) Subject to subsection 2, every employer shall pay a minimum hourly rate of wages of 80 cents to each of his employees employed in the hotel and restaurant business in the designated zone who is a student and who is not required by his employer to work more than twenty-eight hours in any week.

(4) Subject to subsection 5, every employer may, during the first one-month period of employment of an employee employed by that employer as a learner, other than an employee working as a cleaner, janitor or performing similar maintenance duties on the premises of that employer, pay to that employee a minimum hourly rate of wages of not more than 10 cents less than the minimum hourly rate of wages prescribed in subsection 1.

(5) The number of employees who may be employed as learners shall not exceed one-fifth of the employer's total number of employees and, where the total number of employees is fewer than five, only one employee may be employed as a learner.

3. Section 3 of Ontario Regulation 135/63 is revoked and the following substituted therefor:

3.—(1) Subject to subsection 2, for the purpose of determining the minimum wages that shall be paid to an employee,

(a) the employee shall be deemed to be working during the time that he is required by his employer to remain at his place of employment, whether or not he is otherwise working;

(b) an employee who is required by his employer to report at his place of employment and who works less than three hours on any day shall be paid the prescribed minimum rate of wages for at least three hours,

but clause *b* of this section does not apply to a student who is not required by his employer to work more than twenty-eight hours in any week.

(2) Subsection 1 does not apply where the employer is unable to provide work for the employee because of fire, lightning, power failure, storms or other like causes of work stoppage beyond the control of the employer.

4. Section 4 of Ontario Regulation 135/63 is revoked and the following substituted therefor:

4.—(1) Where an employee is employed on the basis of receiving meals or room or both as part of his wages, the maximum amount at which meals or room or both may be valued for the purposes of this Order is as follows:

1. Meals 50 cents per meal for each period of at least four hours worked in a day, and an additional 50 cents per meal when more than two hours remain after the employee's work week has been apportioned among all of such four-hour periods worked by the employee in that work week.

2. Room \$5 per week.

3. Meals and room \$15 per week.

(2) In subsection 1, "room" means a room,

(a) occupied by,

(i) one employee,

(ii) two employees of the same sex with their consent and that of their employer, or

(iii) a husband and wife;

(b) reasonably furnished, properly lighted, heated and ventilated;

(c) supplied with clean bed linen and towels at least once each week; and

(d) immediately accessible to proper toilet and washroom facilities.

(3) Charges for meals or room shall not be deducted from the wages of an employee unless he has actually received the meals and has occupied the room supplied.

(4) No deductions shall be made from the minimum wage for the purchase, use, laundering or cleaning of uniforms, aprons, caps or similar articles of apparel.

5. This Order comes into force on the 29th day of June, 1964.

INDUSTRY AND LABOUR BOARD:

E. G. GIBB,
Chairman.

H. G. PIERCY,
Member.

J. F. NUTLAND,
Member.

Dated at Toronto, this 4th day of May, 1964.

(608)

20

THE MINIMUM WAGE ACT

O. Reg. 97/64.

General in Southern Ontario Zone.

Made—May 4th, 1964.

Filed—May 4th, 1964.

ORDER MADE UNDER THE MINIMUM WAGE ACT

General in Southern Ontario Zone

1. In this Order, "designated zone" means,

(a) the counties of Brant, Durham, Elgin, Essex, Haldimand, Kent, Lambton, Lincoln, Middlesex, Norfolk, Oxford, Perth, Prince Edward, Waterloo, Welland and Wellington;

(b) the counties of Halton, Ontario, Peel, Wentworth and York except,

(i) the Village of Sutton and the townships of North Gwillimbury, Georgina, Rama, Mara and Thorah, and

(ii) the designated zone as defined in Ontario Regulation 133/63;

(c) the counties of Stormont, Dundas and Glengarry except the Town of Alexandria, the villages of Chesterville, Finch, Iroquois, Maxville and Winchester and the townships of Finch, Kenyon, Lochiel, Mountain, Roxborough and Winchester;

(d) the County of Northumberland except the Town of Campbellford, the Village of Hastings and the townships of Percy and Seymour;

(e) the County of Hastings except the villages of Bancroft, Deloro, Madoc, Marmorra, Stirling and Tweed and the townships of Bangor, Wicklow and McClure, Carlow, Dungannon, Elzevir and Grimsthorpe, Faraday, Herschel, Hungerford, Huntingdon, Limerick, Madoc, Marmorra and Lake, Mayo, Monteagle, Rawdon and Tudor and Cashel;

(f) the County of Lennox and Addington except the townships of Denbigh, Abinger and Ashby, Kaladar, Anglesea and Effingham and Sheffield;

(g) the County of Frontenac except the townships of Barrie, Bedford, Clarendon and Miller, Hinchinbrooke, Kennebec, Olden, Oso, Palmerston and North and South Canonto;

- (h) the counties of Leeds and Grenville except the villages of Kemptville, Merrickville, Newboro⁷ and Westport and the townships of Bastard and South Burgess, North Crosby, South Crosby, South Elmsley, Kitley, South Gower, Oxford (on Rideau), and Wolford;
- (i) the County of Peterborough except the villages of Havelock and Norwood and the townships of Asphodel, Belmont and Methuen, Burleigh and Anstruther, Chandos, Dummer, Galway and Cavendish, and Harvey;
- (j) the County of Victoria except the villages of Bobcaygeon, Fenelon Falls, Sturgeon Point, and Woodville and the townships of Bexley, Carden, Dalton, Eldon, Fenelon, Laxton, Digby and Longford, Somerville and Verulam;
- (k) that part of the County of Carleton that consists of the cities of Ottawa and Eastview, the Village of Rockcliffe Park and the townships of Gloucester and Nepean;
- (l) that part of the County of,
- (i) Huron that consists of the Township of Stephen, and
- (ii) Dufferin that consists of the Town of Orangeville; and
- (m) that part of the District of,
- (i) Thunder Bay that consists of the cities of Port Arthur and Fort William and the townships of McIntyre, MacGregor, Neebing, Blake, Paipoonge, Oliver and Gorham,
- (ii) Sudbury that consists of the City of Sudbury, the towns of Chelmsford, Copper Cliff, Coniston and Lively and the townships of McKim, Neelon, Dill, Broder, Waters, Snider, Balfour, Rayside, Blezard and Garson,
- (iii) Algoma that consists of the City of Sault Ste. Marie and the townships of Korah and Tarentorus,
- (iv) Nipissing that consists of the City of North Bay and the townships of Widdifield and West Ferris, and
- (v) Cochrane that consists of the Town of Timmins and the townships of Mountjoy and Tisdale.

2. This Order applies to all employees in any business, trade, work or undertaking in the designated zone except,

- (a) those employees,
- (i) to whom the Construction Work Order, Ontario Regulation 134/63 as amended or the Hotel and Restaurant Business Order, Ontario Regulation 98/64 applies, or
- (ii) who are employed in tourist establishments that are licensed under *The Tourist Establishments Act* and that are operated for not more than six months in any calendar year;
- (b) an apprentice as defined in *The Apprenticeship and Tradesmen's Qualification Act, 1964* and whose contract of apprenticeship is duly registered under *The Apprenticeship and Tradesmen's Qualification Act, 1964* or any predecessor thereof;

- (c) a student employed in a recreational programme operated by a school board or by a municipality or agency thereof or a charitable organization or employed at a camp for children;
- (d) a superintendent, janitor or caretaker of a residential building who resides in the building;
- (e) a person employed,
- (i) as an agent or salesman licensed under *The Insurance Act*,
- (ii) as a salesman registered under *The Real Estate and Business Brokers Act*, or
- (iii) in selling or soliciting orders for goods, wares, merchandise or services,

other than one so employed at the employer's actual place of business or as a route salesman, or where his working hours are set by the employer or can be verified by the employer;

- (f) a duly qualified practitioner of architecture, dentistry, professional engineering, law, medicine, optometry, pharmacy, public accountancy, surveying or veterinary science or a duly qualified registered nurse, nursing assistant, dental technician or drugless practitioner, or a student while engaged in training for such profession or calling;
- (g) a teacher as defined in *The Teaching Profession Act*;
- (h) a student employed as a supervisor or counsellor of children who are under eighteen years of age;
- (i) a secondary-school student who performs work without pay in a business or commercial establishment for not more than two weeks in the school year under *The Diversified Occupational Programme of the Department of Education*; and
- (j) employees engaged as servants in private residences or engaged in farming operations or commercial fishing.

3.—(1) Subject to section 4, every employer shall pay to each employee, other than an employee to whom subsection 2 or 3 applies, a minimum hourly rate of wages of \$1,

- (a) in the case of a male employee, for work performed on or after the 29th day of June, 1964; and
- (b) in the case of a female employee, for work performed on or after the 30th day of March 1965.

(2) Every employer shall pay a minimum hourly rate of wages of 60 cents to a person under eighteen years of age working as a foot or bicycle messenger or delivery boy or as a news vendor or a bowling alley pin setter or as a shoe-shine boy or while employed,

- (a) as a caddie or in the professional shop at a golf course;
- (b) in a public library operated by a municipality; or
- (c) in an amusement or refreshment booth at a fair or exhibition held in whole or in part by an association under *The Agricultural Associations Act*, an agricultural society under *The Agricultural Societies Act* or at a fair that contains an exhibition, place of amusement or

contrivance for amusement that may be prohibited, regulated or licensed by a municipality under *The Municipal Act*.

(3) Subject to subsection 2, every employer shall pay a minimum hourly rate of wages of 80 cents to,

- (a) a student who is not required by his employer to work more than twenty-eight hours in any week;
- (b) a seasonal worker in a plant processing perishable fruits or vegetables and who is employed to work in the processing of perishable fruits or vegetables for not more than sixteen weeks in a calendar year.

(4) Every employer shall pay to each female employee, other than an employee to whom subsection 2 or 3 applies, a minimum hourly rate of wages of not less than,

- (a) 85 cents for work performed in the period from the 29th day of June, 1964 to the 28th day of September, 1964;
- (b) 90 cents for work performed in the period from the 29th day of September, 1964 to the 28th day of December, 1964; and
- (c) 95 cents for work performed in the period from the 29th day of December, 1964 to the 29th day of March, 1965.

4.—(1) Every employer may, during the first four-month period of employment of an employee who is employed by that employer as a learner and is not paid on a piece-work basis, pay to that employee a minimum hourly rate of wages of not more than 10 cents less than the minimum hourly rate of wages prescribed in section 3 that applies to the employee at the time the work is performed.

(2) Subject to section 5, every employer may, in the case of an employee who is employed by that employer as a learner and is paid on a piece-work basis, pay to that employee the equivalent of,

- (a) for the first three-month period of his employment, a minimum hourly rate of wages of not more than 20 cents less; and
- (b) for the next following three-month period of his employment, a minimum hourly rate of wages of not more than 10 cents less,

than the minimum hourly rate of wages prescribed in section 3 that applies to the employee at the time the work is performed.

5.—(1) Where an employer is paying his employees, or any group of them, on a piece-work basis, he shall be deemed to have complied with this Order if at least four-fifths of the total number of such employees receive wages equivalent to at least the rate prescribed by section 3 for any period of time.

(2) The number of employees who may be employed as learners shall not exceed one-fifth of the employer's total number of employees and, where the total number of employees is fewer than five, only one employee may be employed as a learner.

(3) No person shall be paid as a learner who,

- (a) holds a certificate of apprenticeship or certificate of qualification issued under *The Apprenticeship and Tradesmen's Qualification Act, 1964* or any predecessor thereof;
- (b) being an office worker, holds a Secondary School graduation diploma of a commercial course, or has completed a course of instruc-

tion in business and office practice that is provided by a trade school registered under *The Trade Schools Regulation Act*;

(c) is employed for less than twenty-eight hours per week; or

(d) is a person to whom subsection 2 or 3 of section 3 applies.

6. No deduction shall be made from the minimum wage for the purchase, use, laundering or cleaning of uniforms, aprons, caps or similar articles of apparel.

7.—(1) Subject to subsection 2, for the purpose of determining the minimum wages that shall be paid to an employee,

- (a) the employee shall be deemed to be working during the time that he is required by his employer to remain at his place of employment, whether or not he is otherwise working;
- (b) an employee who is required by his employer to report at his place of employment and who works less than three hours on any day shall be paid the prescribed minimum rate of wages for at least three hours,

but clause *b* of this section does not apply to a student who is not required by his employer to work more than twenty-eight hours in any week.

(2) Subsection 1 does not apply when the employer is unable to provide work for the employee because of fire, lightning, power failure, storms or like causes of work stoppage beyond the control of the employer.

8. This Order comes into force on the 29th day of June, 1964.

INDUSTRY AND LABOUR BOARD:

E. G. GIBB,
Chairman.

H. G. PIERCY,
Member.

J. F. NUTLAND,
Member.

Dated at Toronto, this 4th day of May, 1964.

(609)

20

THE MINIMUM WAGE ACT

O. Reg. 98/64.
Hotel and Restaurant Workers in
Southern Ontario Zone.
Made—May 4th, 1964.
Filed—May 4th, 1964.

ORDER MADE UNDER
THE MINIMUM WAGE ACT

Hotel and Restaurant Workers in Southern Ontario
Zone

1. In this Order,

- (a) "hotel and restaurant business" includes the operation of an inn, motel, hotel, tavern, public house or other place of refreshment, and of an establishment licensed under *The Liquor Licence Act* and of any establishment where, for payment, food is prepared or cooked

and served, but does not include the operation of a tourist establishment licensed under *The Tourist Establishments Act* that is operated for not more than six months in any calendar year;

(b) "designated zone" means,

- (i) the counties of Brant, Durham, Elgin, Essex, Haldimand, Kent, Lambton, Lincoln, Middlesex, Norfolk, Oxford, Perth, Prince Edward, Waterloo, Welland and Wellington,
- (ii) the counties of Halton, Ontario, Peel, Wentworth and York except,
 - a. the Village of Sutton and the townships of North Gwillimbury, Georgina, Rama, Mara and Thorah, and
 - b. the designated zone as defined in Ontario Regulation 133/63,
- (iii) the counties of Stormont, Dundas and Glengarry except the Town of Alexandria, the villages of Chesterville, Finch, Iroquois, Maxville and Winchester and the townships of Finch, Kenyon, Lochiel, Mountain, Roxborough and Winchester,
- (iv) the County of Northumberland except the Town of Campbellford, the Village of Hastings and the townships of Percy and Seymour,
- (v) the County of Hastings except the villages of Bancroft, Deloro, Madoc, Marmora, Stirling and Tweed and the townships of Bangor, Wicklow and McClure, Carlow, Dungannon, Elzevir and Grimsthorpe, Faraday, Herschel, Hungerford, Huntingdon, Limerick, Madoc, Marmora and Lake, Mayo, Monteagle, Rawdon, and Tudor and Cashel,
- (vi) the County of Lennox and Addington except the townships of Denbigh, Abinger and Ashby, Kaladar, Anglesea and Effingham and Sheffield,
- (vii) the County of Frontenac except the townships of Barrie, Bedford, Clarendon and Miller, Hinchinbrooke, Kennebec, Olden, Oso, Palmerston and North and South Canonto,
- (viii) the counties of Leeds and Grenville except the villages of Kemptville, Merrickville, Newboro' and Westport and the townships of Bastard and South Burgess, North Crosby, South Crosby, South Elmsley, Kitley, South Gower, Oxford (on Rideau), and Wolford,
- (ix) the County of Peterborough except the villages of Havelock and Norwood and the townships of Asphodel, Belmont and Methuen, Burleigh and Anstruther, Chandos, Dummer, Galway and Cavendish and Harvey,
- (x) the County of Victoria except the villages of Bobcaygeon, Fenelon Falls, Sturgeon Point and Woodville and the townships of Bexley, Carden, Dalton, Eldon, Fenelon, Laxton, Digby and Longford, Somerville and Verulam,

(xi) that part of the County of Carleton that consists of the cities of Ottawa and Eastview, the Village of Rockcliffe Park and the townships of Gloucester and Nepean,

(xii) that part of the County of,

- a. Huron that consists of the Township of Stephen, and
- b. Dufferin that consists of the Town of Orangeville, and

(xiii) that part of the District of,

- a. Thunder Bay that consists of the cities of Port Arthur and Fort William and the townships of McIntyre, MacGregor, Neebing, Blake, Paipooenge, Oliver and Gorham,
- b. Sudbury that consists of the City of Sudbury, the towns of Chelmsford, Copper Cliff, Coniston and Lively and the townships of McKim, Neelon, Dill, Broder, Waters, Snider, Balfour, Rayside, Blezard and Garson,
- c. Algoma that consists of the City of Sault Ste. Marie and the townships of Korah and Tarentorus,
- d. Nipissing that consists of the City of North Bay and the townships of Widdifield and West Ferris, and
- e. Cochrane that consists of the Town of Timmins and the townships of Mountjoy and Tisdale.

2.—(1) Subject to subsection 4 and to section 5, every employer shall pay to each employee, other than an employee to whom subsection 2 or 3 applies, who is employed in the hotel and restaurant business in the designated zone a minimum hourly rate of wages of \$1,

- (a) in the case of a male employee, for work performed on or after the 29th day of June, 1964; and
- (b) in the case of a female employee, for work performed on or after the 30th day of March, 1965.

(2) Every employer shall pay a minimum hourly rate of wages of 60 cents to a person under eighteen years of age working as a foot or bicycle messenger or delivery boy or as a news vendor, bowling alley pin setter or shoe-shine boy.

(3) Subject to subsection 2, every employer shall pay a minimum hourly rate of wages of 80 cents to each of his employees employed in the hotel and restaurant business in the designated zone who is a student and who is not required by his employer to work more than twenty-eight hours in any week.

(4) Every employer shall pay to each female employee, other than an employee to whom subsection 2 or 3 applies, a minimum hourly rate of wages of not less than,

- (a) 85 cents for work performed in the period from the 29th day of June, 1964 to the 28th day of September, 1964;
- (b) 90 cents for work performed in the period from the 29th day of September, 1964 to the 28th day of December, 1964; and

(c) 95 cents for work performed in the period from the 29th day of December, 1964 to the 29th day of March, 1965.

3.—(1) Subject to subsection 2, for the purpose of determining the minimum wages that shall be paid to an employee,

- (a) the employee shall be deemed to be working during the time that he is required by his employer to remain at his place of employment, whether or not he is otherwise working;
- (b) an employee who is required by his employer to report at his place of employment and who works less than three hours on any day shall be paid the prescribed minimum rate of wages for at least three hours,

but clause *b* of this section does not apply to a student who is not required by his employer to work more than twenty-eight hours in any week.

(2) Subsection 1 does not apply where the employer is unable to provide work for the employee because of fire, lightning, power failure, storms or other like causes of work stoppage beyond the control of the employer.

4.—(1) Where an employee is employed on the basis of receiving meals or room or both as part of his wages, the maximum amount at which meals or room or both may be valued for the purposes of this Order is as follows:

- | | |
|----------|--|
| 1. Meals | 50 cents per meal for each period of at least four hours worked in a day and an additional 50 cents per meal when more than two hours remain after the employee's work week has been apportioned among all of such four-hour periods worked by the employee in that work week. |
|----------|--|

2. Room	\$5 per week.
---------	---------------

3. Meals and room	\$15 per week.
-------------------	----------------

(2) In subsection 1, "room" means a room,

- (a) occupied by,
 - (i) one employee,
 - (ii) two employees of the same sex with their consent and that of their employer, or
 - (iii) a husband and wife;
- (b) reasonably furnished, properly lighted, heated and ventilated;
- (c) supplied with clean bed linen and towels at least once each week; and
- (d) immediately accessible to proper toilet and washroom facilities.

(3) Charges for meals or room shall not be deducted from the wages of an employee unless he has actually received the meals and has occupied the room supplied.

(4) No deductions shall be made from the minimum wage for the purchase, use, laundering or cleaning of uniforms, aprons, caps or similar articles of apparel.

5.—(1) Subject to subsection 2, every employer may, during the first one-month period of employment of an employee who is employed by that employer as a

learner, other than an employee working as a cleaner, janitor or performing similar maintenance duties on the premises of the employer, pay to that employee a minimum hourly rate of wages of not more than 10 cents less than the minimum hourly rate of wages prescribed in subsections 1 and 4 of section 2 that applies to the employee at the time the work is performed.

(2) The number of employees who may be employed as learners shall not exceed one-fifth of the employer's total number of employees and, where the total number of employees is fewer than five, only one employee may be employed as a learner.

6. This Order comes into force on the 29th day of June, 1964.

INDUSTRY AND LABOUR BOARD:

E. G. GIBB,
Chairman.

H. G. PIERCY,
Member.

J. F. NUTLAND,
Member.

Dated this 4th day of May, 1964.

(610)

20

THE MINIMUM WAGE ACT

O. Reg. 99/64.

Construction Workers in Oshawa, Toronto, Hamilton and Southern Ontario Zone.

Made—May 4th, 1964.

Filed—May 4th, 1964.

ORDER MADE UNDER THE MINIMUM WAGE ACT

Construction Workers in Oshawa, Toronto, Hamilton and Southern Ontario Zone

1.—(1) Clause *a* of section 1 of Ontario Regulation 134/63 is amended by inserting after "in" in the first line "and about".

(2) Clause *b* of the said section 1 is revoked and following substituted therefor:

- (b) "designated zone" means,
 - (i) the counties of Brant, Durham, Elgin, Essex, Haldimand, Kent, Lambton, Lincoln, Middlesex, Norfolk, Oxford, Perth, Prince Edward, Waterloo, Welland and Wellington,
 - (ii) the counties of Halton, Ontario, Peel, Wentworth and York except the Village of Sutton and the townships of North Gwillimbury, Georgina, Rama, Mara and Thorah,
 - (iii) the counties of Stormont, Dundas and Glengarry except the Town of Alexandria, the villages of Chesterville, Finch, Iroquois, Maxville and Winchester and the townships of Finch, Kenyon, Lochiel, Mountain, Roxborough and Winchester,
 - (iv) the County of Northumberland except the Town of Campbellford, the Village of Hastings and the townships of Percy and Seymour,

- (v) the County of Hastings except the villages of Bancroft, Deloro, Madoc, Marmora, Stirling and Tweed and the townships of Bangor, Wicklow and McClure, Carlow, Dungannon, Elzevir and Grimsthorpe, Faraday, Herschel, Hungerford, Huntingdon, Limerick, Madoc, Marmora and Lake, Mayo, Monteagle, Rawdon, and Tudor and Cashel,
- (vi) the County of Lennox and Addington except the townships of Denbigh, Abinger and Ashby, Kaladar, Anglesea and Effingham and Sheffield,
- (vii) the County of Frontenac except the townships of Barrie, Bedford, Clarendon and Miller, Hinchinbrooke, Kennebec, Olden, Oso, Palmerston and North and South Canoto,
- (viii) the counties of Leeds and Grenville except the villages of Kemptville, Merrickville, Newboro' and Westport and the townships of Bastard and South Burgess, North Crosby, South Crosby, South Elmsley, Kitley, South Gower, Oxford (on Rideau), and Wolford,
- (ix) the County of Peterborough except the villages of Havelock and Norwood and the townships of Asphodel, Belmont and Methuen, Burleigh and Anstruther, Chandos, Dummer, Galway and Cavendish, and Harvey,
- (x) the County of Victoria except the villages of Bobcaygeon, Fenelon Falls, Sturgeon Point and Woodville and the townships of Bexley, Carden, Dalton, Eldon, Fenelon, Laxton, Digby and Longford, Somerville, and Verulam,
- (xi) that part of the County of Carleton that consists of the cities of Ottawa and Eastview, the Village of Rockcliffe Park and the townships of Gloucester and Nepean,
- (xii) that part of the County of,
- a. Huron that consists of the Township of Stephen, and
 - b. Dufferin that consists of the Town of Orangeville, and
- (xiii) that part of the District of,
- a. Thunder Bay that consists of the cities of Port Arthur and Fort William and the townships of McIntyre, MacGregor, Neebing, Blake, Paipoonge, Oliver and Gorham,
 - b. Sudbury that consists of the City of Sudbury, the towns of Chelmsford, Copper Cliff, Coniston and Lively and the townships of McKim, Neelon, Dill, Broder, Waters, Snider, Balfour, Rayside, Blezard and Garson,
 - c. Algoma that consists of the City of Sault Ste. Marie and the townships of Korah and Tarentorus,
 - d. Nipissing that consists of the City of North Bay and the townships of Widdifield and West Ferris, and

e. Cochrane that consists of the Town of Timmins and the townships of Mountjoy and Tisdale.

2. This Order comes into force on the 29th day of June, 1964.

INDUSTRY AND LABOUR BOARD:

E. G. GIBB,
Chairman.

H. G. PIERCY,
Member.

J. F. NUTLAND,
Member.

Dated this 4th day of May, 1964.

(611)

20

THE MINIMUM WAGE ACT

O. Reg. 100/64.

General in Northern Ontario Zone.

Made—May 4th, 1964.

Filed—May 4th, 1964.

ORDER MADE UNDER THE MINIMUM WAGE ACT

General in Northern Ontario Zone

1. In this Order, "designated zone" means the whole of Ontario except,

(a) the designated zone as defined in Ontario Regulation 97/64; and

(b) the designated zone as defined in Ontario Regulation 133/63.

2. This Order applies to all employees in any business, trade, work or undertaking in the designated zone except,

(a) those employees,

(i) to whom the Construction Work Order, Ontario Regulation 102/64 or the Hotel and Restaurant Business Order, Ontario Regulation 101/64 applies, or

(ii) who are employed in tourist establishments that are licensed under *The Tourist Establishments Act* and that are operated for not more than six months in any calendar year;

(b) an apprentice as defined in *The Apprenticeship and Tradesmen's Qualification Act, 1964* and whose contract of apprenticeship is duly registered under *The Apprenticeship and Tradesmen's Qualification Act, 1964* or any predecessor thereof;

(c) a student employed in a recreational programme operated by a school board or by a municipality or agency thereof or a charitable organization or employed at a camp for children;

(d) a superintendent, janitor or caretaker of a residential building who resides in the building;

- (e) a person employed,
- (i) as an agent or salesman licensed under *The Insurance Act*,
 - (ii) as a salesman registered under *The Real Estate and Business Brokers Act*, or
 - (iii) in selling or soliciting orders for goods, wares, merchandise or services,

other than one so employed at the employer's actual place of business or as a route salesman, or where his working hours are set by the employer or can be verified by the employer;

- (f) a duly qualified practitioner of architecture, dentistry, professional engineering, law, medicine, optometry, pharmacy, public accountancy, surveying or veterinary science or a duly qualified registered nurse, nursing assistant, dental technician or drugless practitioner, or a student while engaged in training for such profession or calling;
- (g) a teacher as defined in *The Teaching Profession Act*;
- (h) a student employed as a supervisor or counsellor of children who are under eighteen years of age;
- (i) a secondary-school student who performs work without pay in a business or commercial establishment for not more than two weeks in the school year under *The Diversified Occupational Programme of the Department of Education*; and
- (j) employees engaged as servants in private residences or engaged in farming operations or commercial fishing.

3.—(1) Subject to section 4, every employer shall pay to each of his employees, other than an employee to whom subsection 4 or 5 applies, a minimum hourly rate of wages of \$1 for work performed on or after the 27th day of December, 1965.

(2) Every employer shall pay to each male employee, other than an employee to whom subsection 4 or 5 applies, a minimum hourly rate of wages of not less than,

- (a) 85 cents for work performed in the period from the 29th day of June, 1964 to the 28th day of December, 1964; and
- (b) 90 cents for work performed in the period from the 29th day of December, 1964 to the 26th day of December, 1965.

(3) Every employer shall pay to each female employee, other than an employee to whom subsection 4 or 5 applies, a minimum hourly rate of wages of not less than,

- (a) 80 cents for work performed in the period from the 29th day of June, 1964 to the 28th day of December, 1964; and
- (b) 90 cents for work performed in the period from the 29th day of December, 1964 to the 26th day of December, 1965.

(4) Every employer shall pay a minimum hourly rate of wages of 50 cents for work performed in the period from the 29th day of June, 1964 to the 26th day of December, 1965 and a minimum hourly rate of wages of 60 cents for work performed thereafter to a person under eighteen years of age working as a

foot or bicycle messenger or delivery boy or as a news vendor or a bowling alley pin setter or as a shoe-shine boy or while employed,

- (a) as a caddie or in the professional shop at a golf course;
- (b) in a public library operated by a municipality; or
- (c) in an amusement or refreshment booth at a fair or exhibition held in whole or in part by an association under *The Agricultural Associations Act*, an agricultural society under *The Agricultural Societies Act* or at a fair that contains an exhibition, place of amusement or contrivance for amusement that may be prohibited, regulated or licensed by a municipality under *The Municipal Act*.

(5) Subject to subsection 4, every employer shall pay a minimum hourly rate of wages of 75 cents for work performed in the period from the 29th day of June, 1964 to the 26th day of December, 1965 and a minimum hourly rate of wages of 80 cents for work performed thereafter to,

- (a) a student who is not required by his employer to work more than twenty-eight hours in any week; or
- (b) a seasonal worker in a plant processing perishable fruits or vegetables and who is employed to work in the processing of perishable fruits or vegetables for not more than sixteen weeks in a calendar year.

4.—(1) Every employer may, during the first four-month period of employment of an employee who is employed by that employer as a learner and is not paid on a piece-work basis, pay to that employee a minimum hourly rate of wages of not more than 10 cents less than the minimum rate of wages prescribed in section 3 that applies to the employee at the time the work is performed.

(2) Subject to section 5, every employer may, in the case of an employee who is employed by that employer as a learner and is paid on a piece-work basis, pay to that employee the equivalent of,

- (a) for the first three-month period of his employment, a minimum hourly rate of wages of not more than 20 cents less; and
- (b) for the next following three-month period of his employment, a minimum hourly rate of wages of not more than 10 cents less,

than the minimum hourly rate of wages prescribed in section 3 that applies to the employee at the time the work is performed.

5.—(1) Where an employer is paying his employees, or any group of them, on a piece-work basis, he shall be deemed to have complied with this Order if at least four-fifths of the total number of such employees receive wages equivalent to at least the rate prescribed by section 3 for any period of time.

(2) The number of employees who may be employed as learners shall not exceed one-fifth of the employer's total number of employees and, where the total number of employees is fewer than five, only one employee may be employed as a learner.

(3) No person shall be paid as a learner who,

- (a) holds a certificate of apprenticeship or certificate of qualification issued under *The Apprenticeship and Tradesmen's Qualification Act, 1964* or any predecessor thereof;

(b) being an office worker, holds a Secondary School graduation diploma of a commercial course, or has completed a course of instruction in business and office practice that is provided by a trade school registered under *The Trade Schools Regulation Act*;

(c) is employed for less than twenty-eight hours per week; or

(d) is a person to whom subsection 4 or 5 of section 3 applies.

6. No deduction shall be made from the minimum wage for the purchase, use, laundering or cleaning of uniforms, aprons, caps or similar articles of apparel.

7.—(1) Subject to subsection 2, for the purpose of determining the minimum wages that shall be paid to an employee,

(a) the employee shall be deemed to be working during the time that he is required by his employer to remain at his place of employment, whether or not he is otherwise working;

(b) an employee who is required by his employer to report at his place of employment and who works less than three hours on any day shall be paid the prescribed minimum rate of wages for at least three hours,

but clause *b* of this section does not apply to a student who is not required by his employer to work more than twenty-eight hours in any week.

(2) Subsection 1 does not apply when the employer is unable to provide work for the employee because of fire, lightning, power failure, storms or like causes of work stoppage beyond the control of the employer.

8. This Order comes into force on the 29th day of June, 1964.

INDUSTRY AND LABOUR BOARD:

E. G. GIBB,
Chairman.

H. G. PIERCY,
Member.

J. F. NUTLAND,
Member.

Dated this 4th day of May, 1964.

(612)

20

THE MINIMUM WAGE ACT

O. Reg. 101/64.

Hotel and Restaurant Workers in Northern Ontario Zone.

Made—May 4th, 1964.

Filed—May 4th, 1964.

ORDER MADE UNDER
THE MINIMUM WAGE ACT

Hotel and Restaurant Workers in
Northern Ontario Zone

1. In this Order,

(a) "hotel and restaurant business" includes the operation of an inn, motel, hotel, tavern, public house or other place of refreshment, and of an establishment licensed under *The Liquor Licence Act* and of any establishment

where, for payment food is prepared, or cooked and served, but does not include the operation of a tourist establishment licensed under *The Tourist Establishments Act* that is operated for not more than six months in any calendar year;

(b) "designated zone" means the whole of Ontario except,

(i) the designated zone as defined in Ontario Regulation 98/64, and

(ii) the designated zone as defined in Ontario Regulation 135/63.

2.—(1) Subject to section 5, every employer shall pay to each of his employees, other than an employee to whom subsection 4 or 5 applies, employed in the hotel and restaurant business in the designated zone, a minimum hourly rate of wages of \$1 for work performed on or after the 27th day of December, 1965.

(2) Every employer shall pay to each male employee, other than an employee to whom subsection 4 or 5 applies, a minimum hourly rate of wages of not less than,

(a) 85 cents for work performed in the period from the 29th day of June, 1964 to the 29th day of March, 1965; and

(b) 90 cents for work performed in the period from the 30th day of March, 1965 to the 26th day of December, 1965.

(3) Every employer shall pay to each female employee, other than an employee to whom subsection 4 or 5 applies, a minimum hourly rate of wages of not less than,

(a) 80 cents for work performed in the period from the 29th day of June, 1964 to the 28th day of December, 1964; and

(b) 90 cents for work performed in the period from the 29th day of December, 1964 to the 26th day of December, 1965.

(4) Every employer shall pay to each employee employed in the hotel and restaurant business who is under eighteen years of age and is working as a foot or bicycle messenger or delivery boy or as a news vendor or a bowling alley pin setter or as a shoe-shine boy, a minimum hourly rate of wages of 50 cents for work performed in the period from the 29th day of June, 1964 to the 26th day of December, 1965 and a minimum hourly rate of wages of 60 cents for work performed thereafter.

(5) Subject to subsection 4, every employer shall pay to each employee employed in the hotel and restaurant business who is a student and is not required by the employer to work more than twenty-eight hours in any week, a minimum hourly rate of wages of 75 cents for work performed in the period from the 29th day of June, 1964 to the 26th day of December, 1965 and a minimum hourly rate of wages of 80 cents for work performed thereafter.

3.—(1) Subject to subsection 2, for the purpose of determining the minimum wages that shall be paid to an employee,

(a) the employee shall be deemed to be working during the time that he is required by his employer to remain at his place of employment, whether or not he is otherwise working;

(b) an employee who is required by his employer to report at his place of employment and who works less than three hours on any day shall be paid the prescribed minimum rate of wages for at least three hours,

but clause *b* of this section does not apply to a student who is not required by his employer to work more than twenty-eight hours in any week.

(2) Subsection 1 does not apply where the employer is unable to provide work for the employee because of fire, lightning, power failure, storms or other like causes of work stoppage beyond the control of the employer.

4.—(1) Where an employee is employed on the basis of receiving meals or room or both as part of his wages, the maximum amount at which meals or room or both may be valued for the purposes of this Order is as follows:

1. Meals	50 cents per meal for each period of at least four hours worked in a day, and an additional 50 cents per meal when more than two hours remain after the employee's work week has been apportioned among all of such four-hour periods worked by the employee in that work week.
----------	---

2. Room \$5 per week.

3. Meals and room \$15 per week.

(2) In subsection 1, "room" means a room,

(a) occupied by,

(i) one employee,

(ii) two employees of the same sex with their consent and that of their employer, or

(iii) a husband and wife;

(b) reasonably furnished, properly lighted, heated and ventilated;

(c) supplied with clean bed linen and towels at least once each week; and

(d) immediately accessible to proper toilet and washroom facilities.

(3) Charges for meals or room shall not be deducted from the wages of an employee unless he has actually received the meals and has occupied the room supplied.

(4) No deductions shall be made from the minimum wage for the purchase, use, laundering or cleaning of uniforms, aprons, caps or similar articles of apparel.

5.—(1) Every employer may, during the first one-month period of employment of an employee who is employed by that employer as a learner, other than an employee working as a cleaner, janitor or performing similar maintenance duties on the premises of that employer, pay to that employee a minimum hourly rate of wages of not more than 10 cents less than the minimum hourly rate of wages prescribed in subsections 1, 2 and 3 of section 2 that applies to the employee at the time the work is performed.

(2) The number of employees who may be employed as learners shall not exceed one-fifth of the employer's total number of employees and, where the total number of employees is fewer than five, only one employee may be employed as a learner.

6. This Order comes into force on the 29th day of June, 1964.

INDUSTRY AND LABOUR BOARD:

E. G. GIBB,
Chairman.

J. F. NUTLAND,
Member.

H. G. PIERCY,
Member.

Dated at Toronto, this 4th day of May, 1964.

(613)

20

THE MINIMUM WAGE ACT

O. Reg. 102/64.

Construction Workers in Northern Ontario Zone.

Made—May 4th, 1964.

Filed—May 4th, 1964.

ORDER MADE UNDER THE MINIMUM WAGE ACT

Construction Workers in Northern Ontario Zone

1. In this Order,

(a) "construction work" includes all work in and about the construction, erection, demolition, repair, remodelling, decoration or alteration of the whole or any part of a building, road or structure, whether above or below the surface of the earth, except work done by,

(i) a student of architecture, surveying or professional engineering while employed by a duly qualified architect, surveyor or professional engineer in the course of the practice of that profession,

(ii) an apprentice as defined in *The Apprenticeship and Tradesmen's Qualification Act, 1964* and whose contract of apprenticeship is duly registered under the provisions of *The Apprenticeship and Tradesmen's Qualification Act, 1964* or any predecessor thereof, or

(iii) a person who is regularly employed by a manufacturing, industrial or service institution and performs maintenance work on the premises of his employer.

(b) "designated zone" means the whole of Ontario except the designated zone as defined in Ontario Regulation 134/63 as amended.

2. Every employer shall pay to each of his employees engaged in construction work in the designated zone a minimum hourly rate of wages of \$1.15 for work performed in the period from the 29th day of June, 1964 to the 26th day of December, 1965 and a minimum hourly rate of wages of \$1.25 for work performed thereafter.

3. This Order comes into force on the 29th day of June, 1964.

INDUSTRY AND LABOUR BOARD:

E. G. GIBB,
Chairman.

J. F. NUTLAND,
Member.

H. G. PIERCY,
Member.

Dated this 4th day of May, 1964.

(614)

20

THE MINIMUM WAGE ACT

O. Reg. 103/64.

Female Workers in Tourist Establishments in Northern Ontario and Southern Ontario Zone—Except Oshawa, Toronto, Hamilton Zone.

ORDER MADE UNDER
THE MINIMUM WAGE ACT

Female Workers in Tourist Establishments in Northern Ontario and Southern Ontario Zone except Oshawa-Toronto-Hamilton Zone

1. Section 2 of Regulation 437 of Revised Regulations of Ontario, 1960 is revoked and the following substituted therefor:

2. This Order applies to every female employee who is employed in a tourist establishment that is licensed under *The Tourist Establishments Act* and that is operated for not more than six months in any calendar year.

2. Section 8 of Regulation 437 of Revised Regulations of Ontario, 1960 is revoked and the following substituted therefor:

8. Part-time employees or employees engaged as cleaners or elevator operators or who work where meals are served to the public shall not be considered as inexperienced employees for the purpose of determining their minimum rate of wages.

3. Sections 9, 10 and 11 of Regulation 437 of Revised Regulations of Ontario, 1960 are revoked.

4. This Order comes into force on the 29th day of June, 1964.

INDUSTRY AND LABOUR BOARD:

E. G. GIBB,
Chairman.

H. G. PIERCY,
Member.

J. F. NUTLAND,
Member.

Dated at Toronto, this 4th day of May, 1964.

(615)

20

THE DEPARTMENT OF EDUCATION ACT

O. Reg. 104/64.

Residential and Farm School Tax Assistance Grant.
Made—April 15th, 1964.
Approved—April 30th, 1964.
Filed—May 7th, 1964.

REGULATION MADE UNDER
THE DEPARTMENT OF EDUCATION ACT

Residential and Farm School Tax Assistance Grant

1. In this Regulation,

- (a) "year" means the period from and including the 1st day of January to and including the 31st day of December next following;
- (b) "average daily attendance" means the quotient obtained by dividing the sum of the pupil days attended and additional days allowed for grant purposes in the preceding year by the number of legal teaching days in that year.

2.—(1) There shall be paid in respect of the 1962 average daily attendance of all pupils attending the schools operated by the board, plus the average daily attendance of pupils whose fees are payable by the board, and less the average daily attendance of pupils whose fees are receivable from another board or whose cost of education is receivable from Ontario, a grant of,

- (a) \$20 per pupil to an elementary school board;
- (b) \$20 per pupil to a continuation school board;
- (c) \$30 per pupil to a secondary school board in respect of academic pupils; and
- (d) \$40 per pupil to a secondary school board in respect of vocational pupils.

(2) A board receiving a grant may apply the grant to such school purposes as the board deems expedient.

3. Where a board does not comply with an Act administered by the Minister or any Regulation thereunder, the Minister may withhold the whole or any part of a grant payable while such non-compliance continues.

4.—(1) The grant payable under this Regulation shall be paid in the number of instalments and at the times designated by the Minister.

(2) Where in any year the amount voted by the Legislature for the purpose of grants under this Regulation is insufficient or more than sufficient to pay the grants in full, the Minister may make a *pro rata* reduction or increase, as the case may be.

WILLIAM G. DAVIS,
Minister of Education.

Dated at Toronto, this 15th day of April, 1964.

(626)

20

Publications Under The Regulations Act

May 23rd, 1964

THE PUBLIC VEHICLES ACT

O. Reg. 105/64.
 General.
 Made—May 7th, 1964.
 Filed—May 11th, 1964.

REGULATION MADE UNDER THE PUBLIC VEHICLES ACT

1. Subsection 2 of section 9 of Regulation 530 of Revised Regulations of Ontario, 1960 is revoked and the following substituted therefor:

(2) The fees are,

(a) three cents for each one hundred passenger miles of travel, or portion thereof, over a Class A highway; and

(b) two cents for each one hundred passenger miles of travel, or portion thereof, over a Class B highway.

2. This Regulation comes into force on the 1st day of June, 1964.

(631) 21

THE HIGHWAY TRAFFIC ACT

O. Reg. 106/64.
 Stop Signs at Intersections.
 Made—May 7th, 1964.
 Filed—May 11th, 1964.

REGULATION MADE UNDER THE HIGHWAY TRAFFIC ACT

1. Ontario Regulation 117/62, as amended by Ontario Regulations 90/63, 182/63, 208/63 and 41/64, is further amended by adding thereto the following Schedule:

Schedule 17

1. Highway No. 79 in the Township of Zone in the County of Kent at its intersection with the roadway known as County Road No. 22.

2. Southbound on Highway No. 79.

(632) 21

THE GAME AND FISH ACT, 1961-62

O. Reg. 107/64.
 Waters Set Apart for Periods.
 Made—May 13th, 1964.
 Filed—May 13th, 1964.

REGULATION MADE UNDER THE GAME AND FISH ACT, 1961-62

1. Section 23 of Ontario Regulation 82/64 is revoked.

2. Schedule 52 to Ontario Regulation 82/64 is revoked.

A. K. ROBERTS,
Minister of Lands and Forests.

Toronto, May 13th, 1964.

(654) 21

THE HOSPITAL SERVICES COMMISSION ACT

O. Reg. 108/64.
 General.
 Made—April 8th, 1964.
 Approved—May 7th, 1964.
 Filed—May 15th, 1964.

REGULATION MADE UNDER THE HOSPITAL SERVICES COMMISSION ACT

1. Item 49 of Part II of Schedule 4 to Regulation 238 of Revised Regulations of Ontario, 1960, as made by section 2 of Ontario Regulation 301/63, is amended by striking out "The Norfolk Hospital" and inserting in lieu thereof "Norfolk General Hospital".

2. Schedule 8 to Regulation 238 of Revised Regulations of Ontario, 1960, as remade by section 3 of Ontario Regulation 213/63 and amended by section 2 of Ontario Regulation 6/64, is further amended by adding thereto the following item:

23a. Scarborough Emerald Nursing Home

3. Section 2 shall be deemed to have come into force on the 1st day of January, 1964.

HOSPITAL SERVICES COMMISSION OF ONTARIO:

J. B. NEILSON,
Chairman.

B. L. P. BROUSSEAU,
Commissioner.

Dated at Toronto, this 8th day of April, 1964.

(655) 21

THE PUBLIC HEALTH ACT

O. Reg. 109/64.
 Health Units—General.
 Made—April 28th, 1964.
 Approved—May 14th, 1964.
 Filed—May 15th, 1964.

REGULATION MADE UNDER THE PUBLIC HEALTH ACT

1. Schedules 3 and 34 to Regulation 510 of Revised Regulations of Ontario, 1960, as remade by section 1 of Ontario Regulation 305/63, are revoked and the following substituted therefor:

Schedule 34**WELLINGTON-DUFFERIN HEALTH UNIT**

1. The Board of Health of the Wellington-Dufferin Health Unit shall consist of seven members as follows:

- i. One member to be appointed by the Lieutenant Governor in Council.
- ii. Two members to be appointed by the Municipal Council of the County of Dufferin.
- iii. Four members to be appointed by the Municipal Council of the County of Wellington.

2. A member appointed by a municipal council shall hold office during the pleasure of the municipal council that appointed him.

2. This Regulation comes into force on the 1st day of June, 1964.

M. B. DYMOND,
Minister of Health.

Dated at Toronto, this 28th day of April, 1964.

(656)

21

THE PROVINCIAL PARKS ACT**O. Reg. 110/64.**

Designation of Parks.

Made—May 14th, 1964.

Filed—May 19th, 1964.

REGULATION MADE UNDER THE PROVINCIAL PARKS ACT

1. Schedule 2 of Appendix A to Regulation 498 of Revised Regulations of Ontario, 1960 is revoked and the following substituted therefor:

Schedule 2**IPPERWASH PROVINCIAL PARK**

Part of Lot 8, in Concession A, according to Registered Plan No. 23 and land lying under the waters of Lake Huron in front thereof in the Township of Bosanquet, County of Lambton, described as follows:

Beginning at a point in said Lot 8, at a distance of 66 feet measured north 28° 19' west from a point in the southerly limit of said Lot 8, distant 66 feet measured westerly along the said southerly limit from the southeasterly corner of said Lot 8; thence south 61° 17' west 2551.77 feet; thence north 28° 21' west 1211.53 feet; thence north 51° 55' east 66.96 feet; thence north 28° 21' west along a fence 482.6 feet, more or less, to the high-water mark along the southerly shore of Lake Huron; thence

continuing north 28° 21' west 600 feet; thence in a general easterly direction parallel to the said high-water mark and distant 600 feet in perpendicular width therefrom to the intersection with a line drawn north 28° 19' west from the point of beginning; thence south 28° 19' east to the intersection with the high-water mark along the northerly shore of Lake Huron; thence continuing south 28° 19' east 1620.0 feet, more or less, to the point of beginning.

2. Schedule 18 of Appendix B to Regulation 498 of Revised Regulations of Ontario, 1960 is revoked and the following substituted therefor:

Schedule 18**THE PINERY PROVINCIAL PARK**

In the Township of Bosanquet, in the County of Lambton and described as follows:

1. Beginning at the most northerly corner of Lot 11, Lake Road East Concession; thence southeasterly along the northeasterly limit of that lot to the northwesterly limit of that part of the King's Highway known as No. 21; thence southwesterly along that limit to the southwesterly limit of the said Lot 11; thence northwesterly along that limit and the production thereof to the northwesterly limit of the allowance for road between the Lake Road East and Lake Road West concessions; thence southwesterly along that limit to the southwesterly limit of the allowance for road between lots 20 and 21 in the Lake Road East and Lake Road West concessions; thence southeasterly along that limit to the northwesterly limit of that part of the King's Highway known as No. 21; thence southwesterly along that limit to the southwesterly limit of Lot 31, Lake Road East Concession; thence northwesterly along that limit, the production thereof across the allowance for road between the Lake Road East and Lake Road West concessions, the southwesterly limit of Lot 31, Lake Road West Concession and the production thereof across the Ausable River, to the high-water mark on the northwesterly shore of that river; thence northeasterly along that high-water mark to the southwesterly limit of Lot 30, Lake Road West Concession; thence northwesterly along that limit and the production thereof to the water's edge of Lake Huron; thence continuing northwesterly along the production of the southwesterly limit of said Lot 30 a distance of 600 feet; thence northeasterly parallel to the water's edge of Lake Huron and distant 600 feet in perpendicular width therefrom to the intersection with the northwesterly production of the northeasterly limit of Lot 11, Lake Road West Concession; thence southeasterly along that production to the water's edge of Lake Huron; thence continuing southeasterly along the said production and the northeasterly limit of Lot 11 and its southeasterly productions across the Ausable River and the allowance for road between the Lake Road East and Lake Road West concessions to the place of beginning.

2. Those parts of lots 21 and 22, Lake Road East Concession, lying southeasterly of the southeasterly limit of that part of the King's Highway known as No. 21.

(657)

21

Publications Under The Regulations Act

May 30th, 1964

THE REGISTRY ACT

O. Reg. 111/64.
Application of Section 32 of Act.
Made—May 19th, 1964.
Filed—May 19th, 1964.

**REGULATION MADE UNDER
THE REGISTRY ACT**

1. Regulation 538 of Revised Regulations of Ontario, 1960 and Ontario Regulation 289/63 are revoked.

2. This Regulation comes into force on the 1st day of July, 1964.

A. A. RUSSELL,
Inspector of Legal Offices.

Dated at Toronto, this 19th day of May, 1964.

(674) 22

THE WEED CONTROL ACT

O. Reg. 112/64.
General.
Made—May 14th, 1964.
Filed—May 19th, 1964.

**REGULATION MADE UNDER
THE WEED CONTROL ACT**

1. Schedule 3 to Regulation 565 of Revised Regulations of Ontario, 1960, as made by section 2 of Ontario Regulation 170/63, is amended by adding thereto the following item:

3	Common Burdock	Arctium minus (Hill) Bernh	Township of To- ronto in the County of Peel
---	-------------------	-------------------------------	---

(675) 22

THE DEPARTMENT OF EDUCATION ACT

O. Reg. 113/64.
Grade 13 Departmental Examinations.
Made—April 2nd, 1964.
Approved—May 14th, 1964.
Filed—May 21st, 1964.

**REGULATION MADE UNDER
THE DEPARTMENT OF EDUCATION ACT**

1. Subsection 1 of section 5 of Regulation 85 of Revised Regulations of Ontario, 1960, as amended by section 1 of Ontario Regulation 144/61 and section 2 of Ontario Regulation 52/63, is revoked and the following substituted therefor:

- (1) On or before the 13th day of April, every candidate shall file an application in Form 1 and a statement in Form 2 with the principal of the school at which he proposes to write the examinations.

2.—(1) Subsection 1 of section 9 of Regulation 85 of Revised Regulations of Ontario, 1960, as amended by subsection 1 of section 2 of Ontario Regulation 144/61 and subsection 1 of section 3 of Ontario Regulation 52/63, is revoked and the following substituted therefor:

- (1) A candidate who neglects to file his application on or before the 13th day of April shall be known as a late candidate.

(2) Subsection 3 of the said section 9, as amended by subsection 2 of section 2 of Ontario Regulation 144/61 and subsection 2 of section 3 of Ontario Regulation 52/63, is revoked and the following substituted therefor:

- (3) Where a candidate desires to write a Grade 13 paper in addition to the papers for which he made application by the 13th day of April, he shall not be charged a late fee.

3.—(1) Subsection 1 of section 13 of Regulation 85 of Revised Regulations of Ontario, 1960 is revoked and the following substituted therefor:

- (1) One question paper shall be set in each of algebra, geometry, trigonometry and statics, history, physics, chemistry, botany, zoology, music, mathematics of investment, accountancy practice, secretarial practice, geography, art, and problems.

(2) Subsection 2 of the said section 13, as remade by section 4 of Ontario Regulation 34/62, is revoked and the following substituted therefor:

- (2) Two question papers shall be set in each of English, Français, French, German, Greek, Italian, Latin, Spanish and Russian.

4. Subsection 2 of section 16 of Regulation 85 of Revised Regulations of Ontario, 1960 is revoked and the following substituted therefor:

- (2) The question paper in French authors shall include a test in dictation and a test in listening comprehension, both of which shall be recorded on the dictation record.

5. Regulation 85 of Revised Regulations of Ontario, 1960, as amended by Ontario Regulations 144/61, 10/62, 34/62 and 52/63, is further amended by adding thereto the following section:

- 17a. On the Friday preceding the commencement of the Grade 13 June examinations, the principal of a secondary school or an inspected private school shall submit to the Registrar on behalf of each candidate for the Grade 13 examination in art a portfolio approximately 24 inches by 18 inches containing five pieces of flat work produced in regular school classes during the current school year and certified in each case by the art teacher and the principal as being the candidate's own unaided work.

6.—(1) Subsection 1 of section 40 of Regulation 85 of Revised Regulations of Ontario, 1960 is revoked and the following substituted therefor:

- (1) The chief presiding officer shall,
 - (a) place the answer papers in the bag in which the question papers were received; and

(b) keep the bag locked in a safe or a room.

(2) Subsection 3 of section 40 of Regulation 85 of Revised Regulations of Ontario, 1960 is revoked and the following substituted therefor:

(3) The chief presiding officer shall keep in his possession the keys to the room in which the bag is locked.

7. Clause *d* of section 41 of Regulation 85 of Revised Regulations of Ontario, 1960 is revoked and the following substituted therefor:

(d) a 33 $\frac{1}{3}$ revolutions per minute record-player for each room in which the French authors examination is to be written, unless the school's public address system is to be used for the test in dictation and the test in listening comprehension.

8. Clause *a* of subsection 1 of section 44 of Regulation 85 of Revised Regulations of Ontario, 1960 is amended by striking out "and" at the end of subclause i and adding "and" at the end of subclause ii and by adding thereto the following subclause:

(iii) drawing paper for the art examination.

9. Section 58 of Regulation 85 of Revised Regulations of Ontario, 1960 is amended by adding thereto the following subsection:

(2) For the art examination a candidate shall provide himself with the media of his choice other than oil.

10. Clause *f* of section 61 of Regulation 85 of Revised Regulations of Ontario, 1960, as remade by subsection 2 of section 7 of Ontario Regulation 34/62, is revoked and the following substituted therefor:

(f) write on the outside of the envelope the subject of the examination, the examination number assigned to him by the chief presiding officer and the number of answer books enclosed;

11. Section 62 of Regulation 85 of Revised Regulations of Ontario, 1960 is revoked and the following substituted therefor:

62.—(1) Where the illness of a candidate affects his examination, he may request the chief presiding officer to report full particulars to the Registrar.

(2) Within two days after the close of the examinations, the chief presiding officer shall report to the Registrar full particulars on the illness of the candidate.

(3) The report of the chief presiding officer shall be accompanied by,

(a) a medical certificate stating the nature of the illness and its time and duration; and

(b) details of any other occurrence that interfered with the candidate's examination.

12. Section 73 of Regulation 85 of Revised Regulations of Ontario, 1960 is amended by adding thereto the following subsections:

(3) The Registrar shall send to the Registrar of each Ontario university, as soon as the information is available, a list of the candidates and their marks on each paper of the Grade 13 examinations of 1964 and subsequent years.

(4) No duplicate statement of standing for the Grade 13 examinations of 1964 and subsequent years shall be issued for the purpose of admission to an Ontario university.

13. Subsection 2 of section 74 of Regulation 85 of Revised Regulations of Ontario, 1960 is revoked and the following substituted therefor:

(2) The Special Revising Board shall consist of sixteen members of whom eight shall be members of the staffs of the universities of Ontario and eight shall be representatives of the Minister.

WILLIAM DAVIS,
Minister of Education.

Toronto, April 2nd, 1964.

(685)

22

THE HIGHWAY TRAFFIC ACT

O. Reg. 114/64.

Parking.

Made—May 21st, 1964.

Filed—May 21st, 1964.

REGULATION MADE UNDER THE HIGHWAY TRAFFIC ACT

1. Subsection 1 of section 3 of Regulation 229 of Revised Regulations of Ontario, 1960 is amended by inserting after "Department" in the third line "of Highways".

2.—(1) Subsection 2 of section 4 of Regulation 229 of Revised Regulations of Ontario, 1960 is amended by inserting after "Department" in the first line "of Highways".

(2) Subsection 3 of the said section 4 is amended by inserting after "Department" in the first line "of Highways".

3. Regulation 229 of Revised Regulations of Ontario, 1960 is amended by adding thereto the following section:

4a. No person shall park a vehicle on that part of the King's Highway known as No. 401 in the Township of Toronto in the County of Peel lying between a point situate at its intersection with the centre line of the roadway known as Renforth Drive and a point situate at its intersection with the centre line of the roadway known as Dixie Road.

(686)

22

Publications Under The Regulations Act

June 6th, 1964

THE CONSERVATION AUTHORITIES ACT

O. Reg. 115/64.

Conservation Areas—Big Creek Region.
Made—February 17th, 1964.
Approved—May 28th, 1964.
Filed—May 29th, 1964.

REGULATION MADE UNDER THE CONSERVATION AUTHORITIES ACT

1.—(1) Clause *a* of section 19 of Ontario Regulation 255/62 is amended by striking out “\$2” and inserting in lieu thereof “\$3”.

(2) Clause *b* of the said section 19 is amended by striking out “\$2” and inserting in lieu thereof “\$3”.

(715)

23

THE HIGHWAY TRAFFIC ACT

O. Reg. 116/64.

Parking.
Made—May 28th, 1964.
Filed—May 29th, 1964.

REGULATION MADE UNDER THE HIGHWAY TRAFFIC ACT

1. Regulation 229 of Revised Regulations of Ontario, 1960, as amended by Ontario Regulation 114/64, is further amended by adding thereto the following section:

4b. No person shall park a vehicle on a part of the King's Highway described in a Schedule.

2. Section 6 of Regulation 229 of Revised Regulations of Ontario, 1960 is amended by inserting after “4” in the first line “4b”.

3. Regulation 229 of Revised Regulations of Ontario, 1960, as amended by Ontario Regulation 114/64, is further amended by adding thereto the following schedules:

Schedule 1

HIGHWAY NO. 401

1. That part of the King's Highway known as No. 401 in the Township of Clarke in the County of Durham commencing at a point situate 2640 feet measured westerly from its intersection with the line between the easterly half and westerly half of Lot 19 in Concession 1 and extending easterly therealong for a distance of 5280 feet more or less.

2. That part of the King's Highway known as No. 401 in the Township of Hope in the County of Durham commencing at a point situate 2640 feet measured westerly from its intersection with the line between lots 31 and 32 in Concession 2 and extending easterly therealong for a distance of 5280 feet more or less.

3. That part of the King's Highway known as No. 401 in the Township of Murray in the County of Northumberland commencing at a point situate 2640

feet measured westerly from its intersection with the centre line of the road allowance between lots 16 and 17 in Concession 2 and extending easterly therealong for a distance of 5280 feet more or less.

4. That part of the King's Highway known as No. 401 in the Township of Ernestown in the County of Lennox and Addington commencing at a point situate 2640 feet measured westerly from its intersection with the line between Lot 16 in Concession 6 and Lot 17 in Concession 5 and extending easterly therealong for a distance of 5280 feet more or less.

5. That part of the King's Highway known as No. 401 in the Township of Kingston in the County of Frontenac commencing at a point situate 2640 feet measured westerly from its intersection with the centre line of the road allowance between lots 9 and 10 in Concession 4 and extending easterly therealong for a distance of 5280 feet more or less.

6. That part of the King's Highway known as No. 401 in the Township of Puslinch in the County of Wellington commencing at a point situate 2640 feet measured westerly from its intersection with the line between lots 8 and 9 in Concession 2 and extending easterly therealong for a distance of 5280 feet more or less.

7. That part of the King's Highway known as No. 401 in the Township of West Oxford in the County of Oxford commencing at a point situate 2640 feet measured westerly from its intersection with the line between the northeasterly half and southwesterly half of Lot 11 in Concession 2 and extending easterly therealong for a distance of 5280 feet more or less.

8. That part of the King's Highway known as No. 401 in the Township of West Oxford in the County of Oxford commencing at a point situate 2640 feet measured westerly from its intersection with the line between the northeasterly half and the southwesterly half of Lot 8 in Concession 2 and extending easterly therealong for a distance of 5280 feet more or less.

9. That part of the King's Highway known as No. 401 in the Township of Dunwich in the County of Elgin commencing at a point situate 2640 feet measured westerly from its intersection with the line between the northeasterly half and southwesterly half of Lot 5 in Concession 5 north of Concession A and extending easterly therealong for a distance of 5280 feet more or less.

10. That part of the King's Highway known as No. 401 in the Township of Dunwich in the County of Elgin commencing at a point situate 2640 feet measured westerly from its intersection with the line between the northeasterly half and southwesterly half of Lot 4 in Concession 5 north of Concession A and extending easterly therealong for a distance of 5280 feet more or less.

11. That part of the King's Highway known as No. 401 in the Township of Tilbury East in the County of Kent commencing at a point situate 2000 feet measured westerly from its intersection with the line between lots 13 and 14 in Concession 5 and extending easterly therealong for a distance of 5280 feet more or less.

Schedule 2

HIGHWAY NO. 2

1. That part of the King's Highway known as No. 2 in the townships of Sandwich South and Sandwich East

in the County of Essex commencing at a point situate 70 feet measured easterly from its intersection with the easterly limit of the roadway known as L'Esperance Road and extending westerly therealong for a distance of 2525 feet more or less.

(716)

23

THE CROWN TIMBER ACT

O. Reg. 117/64.

General.

Made—May 28th, 1964.

Filed—June 1st, 1964.

REGULATION MADE UNDER THE CROWN TIMBER ACT

1. Subsection 5 of section 21 of Regulation 69 of Revised Regulations of Ontario, 1960 is revoked and the following substituted therefor:

(5) Subject to subsection 6, the fee payable for a scaler's licence, a renewal of scaler's licence or a special permit is \$1.

(6) The fee payable for,

(a) a scaler's licence;

(b) a renewal of scaler's licence; or

(c) a special permit,

issued on or after the 1st day of April, 1965 shall be \$3.

2. Form 6 of Regulation 69 of Revised Regulations of Ontario, 1960 is amended by striking out "next" where it occurs in the Form and inserting in lieu thereof "19.....".

3. Form 8 of Regulation 69 of Revised Regulations of Ontario, 1960 is amended by striking out "next" where it occurs in the Form and inserting in lieu thereof "19.....".

(717)

23

Publications Under The Regulations Act

June 13th, 1964

Editorial Error

NOTICE

THE MINIMUM WAGE ACT

Ontario Regulation 103/64 published in the May 16th, 1964 issue of The Ontario Gazette on page 122 (foot pagination) was made on May 4th, 1964 and filed on May 4th, 1964.

(756) 24

THE PUBLIC HEALTH ACT

O. Reg. 118/64.

Sanitary Code for Unorganized Territory.

Made—May 28th, 1964.

Filed—June 2nd, 1964.

REGULATION MADE UNDER THE PUBLIC HEALTH ACT

1. Clause *c* of subsection 1 of section 4 of the Schedule to Ontario Regulation 277/62 is revoked and the following substituted therefor:

(c) that comprise,

- (i) a locality having a population of 100 inhabitants or more,
- (ii) mobile-home parks, motels, service stations or other commercial sites, or
- (iii) subdivisions registered under *The Planning Act*.

(738) 24

THE SANATORIA FOR CONSUMPTIVES ACT

O. Reg. 119/64.

General.

Made—May 28th, 1964.

Filed—June 2nd, 1964.

REGULATION MADE UNDER THE SANATORIA FOR CONSUMPTIVES ACT

1. Section 34 of Regulation 542 of Revised Regulations of Ontario, 1960 is revoked and the following substituted therefor:

34.—(1) The Minister may pay provincial aid to a sanatorium in an amount equivalent to the actual cost of providing,

- (a) administration;
- (b) depreciation on furniture, equipment and apparatus;
- (c) general maintenance of the entire area devoted to treatment of tuberculous conditions;

(d) housekeeping and cleaning; and

(e) routine care for each patient other than a patient referred to in section 32, including salaries, supplies and equipment, including the expense of,

- (i) dietary services,
- (ii) the laundry,
- (iii) medical records,
- (iv) the medical superintendent's office,
- (v) occupational therapy, patients' education, social service and rehabilitation,
- (vi) radiology and the expense of laboratory examinations,
- (vii) surgery, and
- (viii) necessary dental care.

(2) Every sanatorium shall annually prepare and submit to the Minister a budget estimate, of the costs referred to in subsection 1, including particulars of the clinical services proposed and the estimated cost thereof.

(3) A sanatorium may submit amendments to the budget estimate to the Minister.

(4) Provincial aid may be paid provisionally in monthly installments in advance, subject to final adjustment upon receipt of the annual financial statement of the sanatorium.

34a.—(1) In this section "actual cost of treatment" means the actual cost to a sanatorium of providing services for which provincial aid is payable under section 34.

(2) Where a sanatorium has been paid provincial aid during the year 1963 in an amount exceeding by more than 2 per cent the actual cost of treatment of patients in the sanatorium, the Minister shall deduct from the provincial aid paid to the sanatorium under section 34 during the year 1964 an amount equal to the amount by which the provincial aid paid to the sanatorium during the year 1963 exceeded by more than 2 per cent the actual cost of treatment of patients in the sanatorium.

(3) Where a sanatorium has been paid provincial aid during the year 1963 in an amount that was less than the actual cost of treatment of patients in the sanatorium, the Minister shall increase the provincial aid paid to the sanatorium in the year 1964 in the manner prescribed in subsection 4.

(4) The amount of the increase in provincial aid paid to a sanatorium referred to in subsection 3 shall be the same percentage of the total amount deducted from sanatoria under subsection 2 as the percentage that the amount referred to in subsection 3 is of the total amount of provincial aid paid to sanatoria referred to in subsection 3,

- (a) during the year 1963; and
- (b) that was less than the actual cost of treatment of patients in such sanatoria.

(739)

24

THE PUBLIC HOSPITALS ACT

O. Reg. 120/64.
 Hospital Loans.
 Made—May 28th, 1964.
 Filed—June 4th, 1964.

REGULATION MADE UNDER
 THE PUBLIC HOSPITALS ACT

HOSPITAL LOANS

1. In this Regulation,

- (a) "bed" means an active treatment bed and does not include a bed for the treatment of convalescent or chronically ill persons or a bed unit as defined in Ontario Regulation 308/63;
- (b) "differential" means the difference between the per diem rate approved for a hospital for providing insured services under *The Hospital Services Commission Act* at the standard or public ward level and the hospital charges approved by the Commission for preferred accommodation in the hospital, less the bad debts in respect of the preferred accommodation;
- (c) "loan" means a loan provided under section 5a of the Act; and
- (d) "preferred accommodation" means private and semi-private accommodation in a hospital.

2.—(1) Where the contract for the construction of new bed accommodation was signed on or after the 1st day of March, 1964, a hospital may apply to the Commission for a loan to assist in the construction.

(2) A loan under subsection 1 shall not exceed \$5,000 for each bed of the new bed accommodation.

3.—(1) Where the construction of new bed accommodation was commenced but not completed before the 1st day of March, 1964, a hospital may apply to the Commission for a loan to assist in the construction.

(2) A loan under subsection 1 shall not exceed an amount which shall bear the same relation to \$5,000 for each bed of the new bed accommodation as the cost of the portion of the construction of new bed accommodation still to be completed after the 1st day of March, 1964, bears to the total cost of the construction of new bed accommodation as approved by the Commission.

(3) Where the total cost of the construction of the new bed accommodation differs from the total cost of construction approved by the Commission for the purpose of this section, the Commission may make any adjustment in the amount of the loan and the interest thereon that the Commission deems proper.

4. Interest on a loan shall be paid by a hospital to the Commission at the rate of 3 per cent per annum.

5.—(1) Before a loan is made to a hospital, the hospital shall enter into a loan agreement with the Commission.

(2) The agreement may provide for the payment of principal and interest by deductions by the Commission from payments made by the Commission to the hospital for the operating cost of the hospital.

(3) The agreement shall provide,

- (a) the term of the loan;
- (b) for the payment at any time, at the option of the hospital, of earned interest and the accelerated re-payment of principal, in all or in part, without notice or bonus; and
- (c) that the hospital shall apply to the payment of interest and principal of the loan three-eighths of the differential received by the hospital in respect of the new bed accommodation for which the loan is made.

6. The loan moneys shall be paid to the hospital as follows:

1. 25 per cent when the loan agreement is signed.
2. 25 per cent when the Commission is satisfied that 25 per cent of the construction is completed.
3. 25 per cent when the Commission is satisfied that 50 per cent of the construction is completed.
4. 25 per cent when the Commission is satisfied that 75 per cent of the construction is completed.

(747)

24

THE DEPARTMENT OF EDUCATION ACT

O. Reg. 121/64.
 Interim Teaching Certificates.
 Made—April 8th, 1964.
 Approved—May 28th, 1964.
 Filed—June 4th, 1964.

REGULATION MADE UNDER
 THE DEPARTMENT OF EDUCATION ACT

1. Regulation 88 of Revised Regulations of Ontario, 1960, as amended by Ontario Regulations 145/61 and 141/62, is further amended by adding thereto the following sections:

INTERIM ELEMENTARY-SCHOOL TEACHER'S
 CERTIFICATE, STANDARD 1, 2, 3 OR 4 (FRENCH ONLY)

24a. Where a candidate whose academic and professional training was obtained outside Ontario submits to the Deputy Minister evidence,

- (a) that he is entitled to receive a Letter of Standing in Form 14 under section 33; and
- (b) that he desires to teach only French to English-speaking pupils in an elementary school during the current or the next school year,

the Minister shall grant him an Interim Elementary-School Teacher's Certificate, Standard (French Only) in Form 1, 2, 3 or 4

10a.

INTERIM SECOND CLASS CERTIFICATE (FRENCH ONLY)

24b. Where a candidate whose academic and professional training was obtained outside Ontario submits to the Deputy Minister evidence,

- (a) that he is entitled to receive a Letter of Standing in Form 15 under section 34; and
- (b) that he desires to teach only French to English-speaking pupils in an elementary school during the current or the next school year,

the Minister shall grant him an Interim Second Class Certificate (French Only) in Form 12a.

2. Sections 55 to 61, section 62, as amended by section 14 of Ontario Regulation 141/62, sections 63 to 66, section 67, as remade by section 15 of Ontario Regulation 141/62, and amended by Ontario Regulation 42/63, and section 68 of Regulation 88 of Revised Regulations of Ontario, 1960 are revoked and the following substituted therefor:

ENDORSEMENT OF CERTIFICATES

55.—(1) Where the holder of an Interim High School Assistant's Certificate, Type B,

- (a) has completed successfully university courses approved by the Minister,
 - (i) to a total of fifteen credits in one, or
 - (ii) subject to subsection 3, to a total of twenty-four credits in two,

of the secondary-school subjects referred to in subsection 2; and

- (b) has taught successfully for one year in a secondary school in the subject or subjects in which he seeks endorsement, subsequent to the date of his Interim High School Assistant's Certificate, Type B,

the Minister, upon the recommendation of the Dean of an Ontario College of Education and the Superintendent of Secondary Education, shall mark the holder's certificate "Endorsed for....." in the subject or subjects concerned.

(2) The secondary-school subjects referred to in subsection 1 are English, History, Geography, Latin, French, German, Greek, Spanish, Russian, Italian, Mathematics, Physics, Chemistry, Biology, Economics and, subsequent to the 1st day of June, 1965, the additional subjects Geology, Political Science (World Politics), Psychology (Man in Society), Sociology (Man in Society).

(3) Where, after the 1st day of September, 1965, a certificate is endorsed under subsection 1 in two secondary-school subjects, the candidate shall have completed successfully at least twelve university credits in each of the two subjects.

INTERIM VOCATIONAL CERTIFICATE, TYPE B

56. Subject to section 52, where the Dean of an Ontario College of Education and the Superintendent of Secondary Education report to the Deputy Minister on behalf of a candidate that he,

- (a) holds a degree from the Faculty of Applied Science of an Ontario university or a degree that the Minister deems equivalent thereto;
- (b) has submitted evidence that the Minister deems satisfactory of at least two years of practical experience in the field of his major subject; and
- (c) has completed successfully,
 - (i) the one-year course,
 - (ii) the three-summer session course, or
 - (iii) subsequent to the 1st day of July, 1964, the two-summer session course,

leading to the Interim Vocational Certificate, Type B,

the Minister shall grant him an Interim Vocational Certificate, Type B in Form 23.

57. Subject to section 52, where the Dean of an Ontario College of Education and the Superintendent of Secondary Education report to the Deputy Minister on behalf of a candidate that he,

- (a) holds the Secondary School Graduation Diploma of the General Course or the Technical Course or the Home Economics Course or the Commercial Course or the Art Course, or standing that the Minister deems equivalent thereto;
- (b) has submitted evidence that the Minister deems satisfactory of practical trade training and experience in his chosen field;
- (c) has completed successfully,

- (i) the one-year course,
- (ii) the three-summer session course, or
- (iii) subsequent to the 1st day of July, 1964, the two-summer session course,

leading to an Interim Vocational Certificate, Type B,

the Minister shall grant him an Interim Vocational Certificate, Type B in Form 23.

INTERIM VOCATIONAL CERTIFICATE, TYPE B

.....
 Typing and Office Practice; Shorthand; Book-keeping; Law; Economics; Business Arithmetic; Economic History; Business Practice

58. Subject to section 52, where the Dean of an Ontario College of Education and the Superintendent of Secondary Education report to the Deputy Minister on behalf of a candidate that he,

(a) holds a certificate, degree, diploma or licence,

- (i) as a Chartered Accountant in Ontario or a Certified General Accountant in Ontario or a Certified Public Accountant in Ontario or a registered member of the Society of Industrial and Cost Accountants of Ontario,
- (ii) as a graduate of the three-year course in Secretarial Science of a provincial technical institute or the Ryerson Polytechnical Institute,
- (iii) as a graduate of a three-year post-secondary school commercial course in the United Kingdom, or
- (iv) as a graduate of a university in a course approved by the Minister for the purpose;

(b) has passed a test, approved by the Minister for the purpose, in commercial skills or subjects; and

(c) has completed successfully the two-summer-session course leading to an Interim Vocational Certificate, Type B

 Typing and Office Practice; Shorthand;
 Bookkeeping; Law; Economics; Business Arithmetic; Economic History;
 Business Practice,

the Minister shall grant him an Interim Vocational Certificate, Type B in Form 23a.

INTERIM VOCATIONAL CERTIFICATE, TYPE B
 (RESTRICTED)

.....
 Typing and Office Practice; Shorthand; Book-keeping; Law; Economics; Business Arithmetic; Economic History; Business Practice

59. Subject to section 52, where the Dean of an Ontario College of Education and the Superintendent of Secondary Education report to the Deputy Minister on behalf of a candidate that he,

- (a) has submitted a statement from the Registrar of an Ontario university that he is eligible for admission to a course in the Faculty of Arts or the Faculty of Science in that university;
- (b) has passed a test, approved by the Minister for the purpose, in commercial skills or subjects;
- (c) has submitted evidence of at least five years of office experience; and
- (d) has completed successfully the three-summer-session course leading to an Interim Vocational Certificate, Type B

.....
 Typing and Office Practice; Shorthand;
 Bookkeeping; Law; Economics; Business Arithmetic; Economic History;
 Business Practice,

the Minister shall grant him an Interim Vocational Certificate, Type B (Restricted) in Form 23b.

INTERIM VOCATIONAL CERTIFICATE, TYPE A

60. Subject to section 52, where the Dean of an Ontario College of Education and the Superintendent of Secondary Education report to the Deputy Minister on behalf of a candidate that he,

- (a) holds a degree from the Faculty of Applied Science or from the School of Nursing of an Ontario university with standing of at least 60 per cent in his final year, or a degree that the Minister deems equivalent thereto;
- (b) has submitted evidence of at least two years of wage-earning experience approved by the Minister for the purpose in the field of his major subject; and
- (c) subsequent to his completing the requirements in clauses a and b, has been admitted to and has completed successfully the one-year course leading to the Interim Vocational Certificate, Type A,

the Minister shall grant him an Interim Vocational Certificate, Type A in Form 24.

61. Subject to section 52, where the Dean of an Ontario College of Education and the Superintendent of Secondary Education report to the Deputy Minister on behalf of a candidate that he,

- (a) holds,
 - (i) a degree from the Faculty of Applied Science or from the School of Nursing of an Ontario university with standing of at least 60 per cent in his final year and in one other year, or a degree that the Minister deems equivalent thereto, and

(ii) an Interim Vocational Certificate, Type B in Form 23;

(b) subsequent to his completing the requirements in clause a, has been admitted to and has completed successfully,

(i) the one-year course, or

(ii) the one-summer session,

leading to the Interim Vocational Certificate, Type A,

the Minister shall grant him an Interim Vocational Certificate, Type A in Form 24.

62. Subject to section 52, where the Dean of an Ontario College of Education and the Superintendent of Secondary Education report to the Deputy Minister on behalf of a candidate that he,

(a) holds,

- (i) Grade 13 standing in English Composition and in five additional papers, or subsequent to the 1st day of July, 1966, Grade 13 standing in English Composition and in eight additional papers, or standing the Minister deems equivalent thereto, and

- (ii) a Permanent Vocational Certificate or a Permanent Ordinary Vocational Certificate;
- (b) has been graded above average in teaching ability by the inspector concerned; and
- (c) subsequent to his completing the requirements in clause a, has been admitted to and has completed successfully,
 - (i) the one-year course, or
 - (ii) the two-summer session course,
 leading to the Interim Vocational Certificate, Type A,

the Minister shall grant him an Interim Vocational Certificate, Type A in Form 24.

INTERIM ELEMENTARY-SCHOOL TEACHER'S CERTIFICATE,
STANDARD
1, 2, 3 or 4

63. Subject to section 52, where the Dean of an Ontario College of Education reports to the Deputy Minister on behalf of a candidate that he,

- (a) holds an Interim High School Assistant's Certificate, Type B; and
- (b) has successfully completed at an Ontario College of Education the course leading to an Interim Elementary-School Teacher's Certificate,

the Minister shall grant him an Interim Elementary-School Teacher's Certificate, Standard in Form 1.
1, 2, 3 or 4

3. Regulation 88 of Revised Regulations of Ontario, 1960, as amended by Ontario Regulations 145/61, 141/62, 282/62 and 42/63, is further amended by adding thereto the following Part:

PART V

OCCUPATIONAL CERTIFICATES

INTERIM OCCUPATIONAL CERTIFICATE, TYPE B
(General Subjects)

74. Where a candidate submits to the Deputy Minister,

- (a) evidence that he holds a permanent teaching certificate valid in the elementary schools of Ontario;
- (b) evidence that he holds a Specialist Certificate in Auxiliary Education with the secondary school option; and
- (c) evidence of at least five years of successful teaching experience in the elementary or secondary schools of Ontario,

the Minister shall grant him an Interim Occupational Certificate, Type B (General Subjects) in Form 25.

INTERIM OCCUPATIONAL CERTIFICATE, TYPE B
(Practical Subjects)

75. Where the Dean of an Ontario College of Education and the Superintendent of Secondary Education report to the Deputy Minister on behalf of a candidate that he,

- (a) holds an Interim Vocational Certificate, Type B in Form 23 or a Permanent Vocational Certificate; and
- (b) has passed a trade test that the Minister deems appropriate,

the Minister shall grant him an Interim Occupational Certificate, Type B (Practical Subjects) in Form 26.

76. Where the Dean of an Ontario College of Education and the Superintendent of Secondary Education report to the Deputy Minister on behalf of a candidate that he,

- (a) holds an Interim or Permanent Specialist Certificate in Industrial Arts;
- (b) has completed successfully two five-week summer sessions, each of 200 hours, at an Ontario College of Education in a practical work course; and
- (c) has passed a trade test that the Minister deems appropriate,

the Minister shall grant him an Interim Occupational Certificate, Type B (Practical Subjects) in Form 26.

77. Where the Dean of an Ontario College of Education and the Superintendent of Secondary Education report to the Deputy Minister on behalf of a candidate that he,

- (a) holds,
 - (i) a permanent teaching certificate valid in the elementary schools of Ontario and an Interim or Permanent Intermediate Industrial Arts Certificate, or
 - (ii) a Permanent Intermediate Industrial Arts Certificate and an interim or permanent teaching certificate valid in the elementary schools of Ontario;
- (b) has completed successfully the two five-week summer sessions at an Ontario College of Education leading to an Interim Occupational Certificate, Type B (Practical Subjects); and
- (c) has passed a trade test that the Minister deems appropriate,

the Minister shall grant him an Interim Occupational Certificate, Type B (Practical Subjects) in Form 26.

78. Subject to section 52, where the Dean of an Ontario College of Education and the Superintendent of Secondary Education report to the Deputy Minister on behalf of a candidate,

- (a) that he holds the Secondary School Graduation Diploma in one of the courses or standing the Minister deems equivalent thereto;
- (b) that his practical experience in a particular field or fields of occupational training is satisfactory to the Superintendent of Secondary Education;
- (c) that he has passed a trade test that the Minister deems appropriate; and
- (e) that he has completed successfully the two seven-week summer sessions leading to an Interim Occupational Certificate, Type B (Practical Subjects),

the Minister shall grant him an Interim Occupational Certificate, Type B (Practical Subjects) in Form 26.

79. Subject to section 52, where the Dean of an Ontario College of Education and the Superintendent of Secondary Education report to the Deputy Minister on behalf of a candidate that she,

- (a) has completed successfully a two-year course in Home Economics at the Ryerson Polytechnical Institute and the One-year Course at a Teachers' College in Ontario;
- (b) holds an Interim or Permanent Intermediate Home Economics Certificate;
- (c) has completed satisfactorily a practical work course consisting of two summer sessions, each of 200 hours; and
- (e) has passed a trade test that the Minister deems appropriate,

the Minister shall grant her an Interim Occupational Certificate, Type B (Practical Subjects) in Food Administration in Form 27.

80. Subject to section 52, where the Dean of an Ontario College of Education and the Superintendent of Secondary Education report to the Deputy Minister on behalf of a candidate that he,

- (a) has completed satisfactorily the three-year course in Merchandising Administration or Hotel, Resort and Restaurant Administration or Food Administration at the Ryerson Polytechnical Institute;
- (b) has had at least twelve months of practical experience that the Minister deems appropriate in the related field or fields; and
- (c) has completed successfully the two seven-week summer sessions leading to an Interim Occupational Certificate, Type B (Practical Subjects),

the Minister shall grant him an Interim Occupational Certificate, Type B (Practical Subjects) in
 Merchandising; Hotel, Resort and
 Administration in Form 28.
 Restaurant; Food

INTERIM OCCUPATIONAL CERTIFICATE, TYPE A
 (General Subjects)

81. Where the Superintendent of Secondary Education reports to the Deputy Minister on behalf of a candidate that he,

- (a) holds a Permanent High School Assistant's Certificate;
- (b) holds a Specialist Certificate in Auxiliary Education, with the secondary school option; and
- (c) has had at least two years of successful teaching experience in the general subjects of the Occupational Programme in a secondary school,

the Minister shall grant him an Interim Occupational Certificate, Type A (General Subjects) in Form 29.

INTERIM OCCUPATIONAL CERTIFICATE, TYPE A
 (Practical Subjects)

82. Where the Dean of an Ontario College of Education and the Superintendent of Secondary Education report to the Deputy Minister on behalf of a candidate that he,

- (a) holds a Permanent Occupational Certificate (Practical Subjects);
- (b) holds Grade 13 standing in English Composition and in five additional papers or, subsequent to the 1st day of July, 1966, Grade 13 standing in English Composition and in eight additional papers; and
- (c) has completed successfully the two five-week summer sessions leading to the Interim Occupational Certificate, Type A (Practical Subjects),

the Minister shall grant him an Interim Occupational Certificate, Type A (Practical Subjects) in Form 30.

83. Where the Dean of an Ontario College of Education and the Superintendent of Secondary Education report to the Deputy Minister on behalf of a candidate that he,

- (a) holds the Interim Vocational Certificate, Type A in Form 24 or the Permanent Vocational Specialist Certificate; and
- (b) has passed a trade test that the Minister deems appropriate,

the Minister shall grant him an Interim Occupational Certificate, Type A (Practical Subjects) in Form 30.

84. Where the Superintendent of Secondary Education reports to the Deputy Minister on behalf of a candidate that he,

- (a) holds a Permanent High School Assistant's Certificate;
- (b) holds an Interim Occupational Certificate, Type B (Practical Subjects) in Form 26; and
- (c) has had at least two years of successful teaching experience in practical subjects of the Occupational Programme in a secondary school,

the Minister shall grant him an Interim Occupational Certificate, Type A (Practical Subjects) in Form 30.

85. Subject to section 52, where the Dean of an Ontario College of Education and the Superintendent of Secondary Education report to the Deputy Minister on behalf of a candidate that he,

- (a) holds,
 - (i) a degree from the Faculty of Applied Science or from the School of Nursing of an Ontario university with standing of at least 60 per cent in his final year and in one other year, or a degree that the Minister deems equivalent thereto, and

- (ii) an Interim Occupational Certificate, Type B (Practical Subjects) in Form 26 with standing of at least 66 per cent in each subject of the course leading to the certificate;
- (b) has submitted evidence of at least two years of wage-earning experience approved by the Minister for the purpose in the field of his major subject; and
- (c) subsequent to his completing the requirements in clause a, has been admitted to and has completed successfully the one-summer session leading to the Interim Occupational Certificate, Type A (Practical Subjects) in Form 30,

the Minister shall grant him an Interim Occupational Certificate, Type A (Practical Subjects) in Form 30.

4. Regulation 88 of Revised Regulations of Ontario, 1960, as amended by Ontario Regulations 145/61, 141/62, 282/62 and 42/63, is further amended by adding thereto the following forms:

Form 10a

The Department of Education Act

INTERIM ELEMENTARY-SCHOOL TEACHER'S CERTIFICATE, STANDARD
1, 2, 3 or 4
(FRENCH ONLY)

This is to certify that....., having complied with the regulations prescribed for the Department of Education, is hereby granted an Interim Elementary-School Teacher's Certificate, Standard..... (French Only), valid for five years 1, 2, 3 or 4 from the date hereof for teaching only French to English-speaking pupils in an elementary school.

Dated at Toronto this....day of....., 19....

Registered Number.....

..... Registrar Minister of Education

Form 12a

The Department of Education Act

INTERIM SECOND CLASS CERTIFICATE (FRENCH ONLY)

This is to certify that....., having complied with the regulations prescribed for the Department of Education, is hereby granted an Interim Second Class Certificate (French Only) valid for five years from the date hereof for teaching only French to English-speaking pupils in an elementary school.

Dated at Toronto this....day of....., 19....

Registered Number.....

..... Registrar Minister of Education

Form 23a

The Department of Education Act

INTERIM VOCATIONAL CERTIFICATE, TYPE B

.....
Typing and Office Practice; Shorthand; Book-keeping; Law; Economics; Business Arithmetic; Economic History; Business Practice; Record Keeping

This is to certify that....., having complied with the regulations prescribed for the Department of Education, is hereby granted an Interim Vocational Certificate, Type B, in....., (insert

....., valid for five years from the date appropriate subject)

hereof for teaching..... (insert appropriate subject)

in Grades 9, 10, 11 and 12 of a secondary school.

Dated at Toronto this....day of....., 19....

Registered Number.....

..... Registrar Minister of Education

Form 23b

The Department of Education Act

INTERIM VOCATIONAL CERTIFICATE, TYPE B (Restricted)

.....
Typing and Office Practice; Shorthand; Book-keeping; Law; Economics; Business Arithmetic; Economic History; Business Practice; Record Keeping

This is to certify that....., having complied with the regulations prescribed for the Department of Education, is hereby granted an Interim Vocational Certificate, Type B in..... (insert appropriate

....., valid for five years from the date hereof for subject)

teaching..... in Grades 9, 10, 11 (insert appropriate subject)

and 12 of a secondary school. This certificate cannot be made Permanent until the holder has completed successfully at least one-half of the university requirements for a Bachelor of Arts degree.

Dated at Toronto this....day of....., 19....

Registered Number.....

..... Registrar Minister of Education

5. Forms 25, 26 and 27 of Regulation 88 of Revised Regulations of Ontario, 1960 are revoked and the following substituted therefor:

Form 25

The Department of Education Act

**INTERIM OCCUPATIONAL CERTIFICATE,
TYPE B
(General Subjects)**

This is to certify that.....
having complied with the regulations prescribed for the
Department of Education is hereby granted an Interim
Occupational Certificate, Type B (General Subjects)
valid for five years from the date hereof for teaching
general subjects in the Occupational Programme in a
secondary school.

Dated at Toronto this....day of....., 19....

Registered Number.....

.....
Registrar Minister of Education

Form 26

The Department of Education Act

**INTERIM OCCUPATIONAL CERTIFICATE,
TYPE B
(Practical Subjects)**

This is to certify that.....
having complied with the regulations prescribed for the
Department of Education, is hereby granted an Interim
Occupational Certificate, Type B in.....
(insert

....., valid for five years from the
appropriate subject)

date hereof for teaching the above-mentioned subject
or subjects in the Occupational Programme in a
secondary school.

Dated at Toronto this....day of....., 19....

Registered Number.....

.....
Registrar Minister of Education

Form 27

The Department of Education Act

**INTERIM OCCUPATIONAL CERTIFICATE,
TYPE B
(Practical Subjects)
Food Administration**

This is to certify that.....
having complied with the regulations prescribed for the
Department of Education, is hereby granted an Interim
Occupational Certificate, Type B (Practical Subjects)
(Food Administration) valid for five years from the
date hereof for teaching Food Administration in Grades
9, 10, 11 and 12 in the Occupational Programme in a
secondary school.

Dated at Toronto this....day of....., 19....

Registered Number.....

.....
Registrar Minister of Education

Form 28

The Department of Education Act

**INTERIM OCCUPATIONAL CERTIFICATE,
TYPE B
(Practical Subjects)**

.....
Merchandising; Hotel, Resort and Restaurant; Food
Administration

This is to certify that.....
having complied with the regulations prescribed for the
Department of Education, is hereby granted an Interim
Occupational Certificate, Type B (Practical Subjects)

.....
Merchandising; Hotel, Resort and Restaurant; Food
Administration, valid for five years from the date
hereof for teaching.....
(insert appropriate subject)

Administration in Grades 9, 10, 11 and 12 in the Occu-
pational Programme in a secondary school.

Dated at Toronto this....day of....., 19....

Registered Number.....

.....
Registrar Minister of Education

Form 29

The Department of Education Act

**INTERIM OCCUPATIONAL CERTIFICATE,
TYPE A
(General Subjects)**

This is to certify that.....
having complied with the regulations prescribed for the
Department of Education, is hereby granted an Interim
Occupational Certificate, Type A (General Subjects)
valid for five years from the date hereof for teaching
general subjects in the Occupational Programme in a
secondary school.

Dated at Toronto this....day of....., 19....

Registered Number.....

.....
Registrar Minister of Education

Form 30

The Department of Education Act

**INTERIM OCCUPATIONAL CERTIFICATE,
TYPE A
(Practical Subjects)**

This is to certify that.....
having complied with the regulations prescribed for the
Department of Education, is hereby granted an Interim
Occupational Certificate, Type A (Practical Subjects)

in..... valid for five years from the
date hereof for teaching the above-mentioned subject
or subjects in the Occupational Programme in a
secondary school.

Dated at Toronto this....day of....., 19....

Registered Number.....

.....
Registrar Minister of Education

WILLIAM G. DAVIS,
Minister of Education.

TORONTO, April 8th, 1964.

(748)

THE DEPARTMENT OF EDUCATION ACT

O. Reg. 122/64.

Diplomas—Elementary and Secondary Schools.

Made—April 9th, 1964.

Approved—May 28th, 1964.

Filed—June 4th, 1964.

REGULATION MADE UNDER
THE DEPARTMENT OF EDUCATION ACT

1. Sections 1, 2 and 3 of Ontario Regulation 142/61 are revoked and the following substituted therefor:

1. In this Regulation,

- (a) "branch" means a branch referred to in section 34;
- (b) "candidate" means candidate for a diploma, certificate or statement of standing;
- (c) "course of study" means course of study defined, recommended, or approved under section 10 of *The Department of Education Act*;
- (d) "inspected private school" means a school referred to in section 12.

2. Ontario Regulation 142/61 is amended by inserting the heading,

"PART I

THE CONTINUING PROGRAMME"

immediately preceding section 4.

3. Section 4 of Ontario Regulation 142/61 is amended by inserting after "12" in the first line "of the continuing programme".

4. Regulation 142/61 is amended by adding thereto the following section:

CANDIDATES UNDER CANADIAN
VOCATIONAL TRAINING PROGRAMME

15a. Where the principal of a class under the Canadian Vocational Training Programme and the Superintendent of the Technological and Trades Training Branch report to the Deputy Minister on behalf of a candidate that he has completed successfully the course of study in Grade 11 or 12 in one of the courses of study in section 4, the Registrar shall issue to him a statement of equivalent educational standing in Form 8a.

5. Section 27 of Ontario Regulation 142/61 is revoked.

6.—(1) Section 28 of Ontario Regulation 142/61 is amended by striking out "the general course in" in the first line.

(2) Item 2 of the said section 28 is amended by inserting after "Chemistry" in the fourth line "Art".

7. Section 29 of Ontario Regulation 142/61 is revoked.

8.—(1) Section 30 of Ontario Regulation 142/61 is amended by striking out "of the General Course" in the eleventh and twelfth lines.

(2) Section 31 of Ontario Regulation 142/61 is revoked.

9. Ontario Regulation 142/61 is amended by adding thereto the following Part:

PART II

THE REORGANIZED PROGRAMME

34. The branches of the reorganized programme are designated as,

- (a) the Arts and Science Branch;
- (b) the Business and Commerce Branch; and
- (c) the Science, Technology, and Trades Branch.

35. The programmes in the reorganized programme are,

- (a) the Five-Year Programme in each of the branches;
- (b) the Four-Year Programme in each of the branches;
- (c) the Two-Year Programme in connection with the Four-Year Programme in each of the branches; and
- (d) the Occupational Programme of one or two years' duration, for pupils who are at least fifteen years of age and who have been transferred rather than promoted from Grade 8 to a secondary school.

SUBJECTS OF GRADE 9

36.—(1) The subjects of Grade 9 in the Five-Year Programme in the three branches are as follows:

1. Obligatory subjects being English, History, Geography, Physical Education, Mathematics, Science, French or Français, Group Guidance, and in addition,

- (i) in the Business and Commerce Branch, Commercial Subjects, and
- (ii) in the Science, Technology, and Trades Branch, one of Technical Subjects or Home Economics or Vocational Art.

2. Optional subjects being, in the Arts and Science Branch, any one or two of Latin, Art or Music, Industrial Arts or Technical Subjects, Home Economics, Agriculture, Business Practice or Typewriting.

(2) the subjects of Grade 9 in the Four-Year Programme in the three branches are as follows:

1. Obligatory subjects being English, History, Geography, Physical Education, Mathematics, Science, Group Guidance and at the discretion of the principal, French or Français, and in addition,

- (i) in the Business and Commerce Branch, Business and Commercial Subjects, and

- (ii) in the Science, Technology and Trades Branch, Technical Subjects or Home Economics or Vocational Art.

2. Optional subjects being, in the Arts and Science Branch, any one or two of Latin, Art or Music, Industrial Arts or Technical Subjects, Home Economics, Agriculture, Business Practice or Typewriting.

SUBJECTS OF GRADE 10

- 37.—(1) The subjects of Grade 10 in the Five-Year Programme in the Arts and Science Branch are as follows:

1. Obligatory subjects being English, History, Geography, Physical Education, Mathematics, Science and one of French or Français, Latin, Greek, German, Spanish, Italian and Russian.
2. Optional subjects being any one or two of Art, Music, Industrial Arts or Technical Subjects, Home Economics, Agriculture, Business Practice or Typewriting, and an additional language not chosen as an obligatory subject.

- (2) The subjects of Grade 10 in the Five-Year Programme in the Business and Commerce Branch are as follows:

1. Obligatory subjects being English, History, Geography, Physical Education, Business Subjects or Commercial Subjects, and any three of Mathematics, Science, Latin, French or Français, German, Greek, Spanish, Italian and Russian.

- (3) The subjects of Grade 10 in the Five-Year Programme in the Science, Technology, and Trades Branch are as follows:

1. Obligatory subjects being English, History, Geography, Physical Education, Mathematics, Science, and one of French or Français, Latin, German, Greek, Spanish, Italian and Russian, and one of Technical Subjects, Home Economics and Vocational Art.

- 38.—(1) The subjects of Grade 10 in the Four-Year Programme in the Arts and Science Branch are as follows:

1. Obligatory subjects being English, History, Geography and Physical Education.
2. Optional subjects being any four or five of Mathematics, Science, French or Français, Latin, Agriculture, Industrial Arts or Technical Subjects, Home Economics, Art, Music, Business and Commercial Subjects, Distributive Education, and one of German, Greek, Spanish, Italian and Russian.

- (2) The subjects of Grade 10 in the Four-Year Programme in the Business and Commerce Branch are as follows:

1. Obligatory subjects being English, History, Geography, Physical Education, Commercial Mathematics, Business Subjects, Commercial Subjects.
2. Optional subjects being Science, Art, Music, Industrial Arts or Technical Subjects, Home Economics, and any one of French or Français, Latin, German, Spanish, Italian and Russian.

- (3) The subjects of Grade 10 in the Four-Year Programme in the Science, Technology, and Trades Branch are as follows:

1. Obligatory subjects being English, History, Geography, Physical Education, Mathematics, Science, and one of Technical Subjects, Home Economics and Vocational Art.
2. Optional subjects being one of Art, Music, Agriculture, Commercial Subjects and one of French or Français, Latin, German, Greek, Spanish, Italian and Russian.

TWO-YEAR PROGRAMME

39. The subjects of Grades 9 and 10 in the Two-Year Programme in the three branches are English, History and Geography, Science, Mathematics, Group Guidance, Physical Education and Practical Subjects.

OCCUPATIONAL PROGRAMME

40. The subjects of the first and second year of the Occupational Programme are English and Library, History and Geography, Mathematics, Group Guidance, Physical and Health Education, and Practical Subjects.

SUBJECTS OF GRADES 11 AND 12

- 41.—(1) In this section,

- (a) "Geography" means either or both of Geography, Part I and Geography, Part II, as the case may be;
- (b) "History" means either or both of World History, Part I and World History, Part II, as the case may be;
- (c) "Mathematics" means either or both of Mathematics, Part I and Mathematics, Part II, as the case may be;
- (d) "Science" means either or both of Physics and Chemistry, as the case may be.

- (2) The subjects of Grades 11 and 12 of the Five-Year Programme in the three branches are as follows:

1. Obligatory subjects being English, History, Physical Education, and in addition,

- (i) in the Business and Commerce Branch, Business or Commercial Subjects, and

- (ii) in the Science, Technology, and Trades Branch, one of Technical Subjects, Home Economics and Vocational Art.

2. Optional subjects being,

- (i) in the Arts and Science Branch, any three of Mathematics, Science, Geography, French or Français, Latin, Greek, German, Spanish, Italian and Russian and one or two of Commercial Work, Industrial Arts or Technical Subjects, Home Economics, Art, Music and Agriculture,

- (ii) in the Business and Commerce Branch, any three of Geography, Mathematics, Science, French or Français, Latin, Greek, German, Spanish, Italian and Russian, and
 - (iii) in the Science, Trades, and Technology Branch, any three of Mathematics, Science, Geography, French or Français, Latin, German, Greek, Spanish, Italian and Russian.
- (3) The subjects of Grades 11 and 12 of the Four-Year Programme in the three branches are as follows:
1. Obligatory subjects being English, History (Grade 11), Economics (Grade 12), Physical Education, and in addition,
 - (i) in the Business and Commerce Branch, Business or Commercial Subjects, and
 - (ii) in the Science, Technology, and Trades Branch, Mathematics, Science and one of Technical Subjects, Home Economics and Vocational Art.
 2. Optional subjects being,
 - (i) in the Arts and Science Branch, any four or five of Mathematics, Science, Geography, French or Français, Latin, Greek, Spanish, Italian, Russian, Agriculture, Industrial Arts or Shop Work, Home Economics, Art, Music, Business and Commercial Subjects, Distributive Education, Contemporary Society and Thought, Modern World Affairs, Speech and Drama, Modern Literature, Biology, Geology and Mineralogy,
 - (ii) in the Business and Commerce Branch, one or two of Mathematics (Commercial), Science, Geography, French or Français, Latin, German, Greek, Spanish, Italian, Russian, Art, Music, Industrial Arts or Shop Work, and Home Economics, and
 - (iii) in the Science, Technology, and Trades Branch, one of Geography, French or Français, Latin, German, Greek, Spanish, Italian, Russian, Art, Music, Agriculture, and Commercial Subjects and one of Technical Subjects, Home Economics and Vocational Art.

CERTIFICATE OF STANDING
TWO-YEAR PROGRAMME

42. Where the principal of a secondary school reports to the Deputy Minister on behalf of a candidate that he has completed successfully the courses of study in Grades 9 and 10 of the Two-Year Programme in one of the branches, the Minister shall, upon the recommendation of the Superintendent of Secondary Education, grant the candidate a Certificate of Standing in the Two-Year Programme in Form 12.

CERTIFICATE OF TRAINING

43. Where the principal of a secondary school reports to the Deputy Minister on behalf of a candidate that he has completed successfully a course of study in the Occupational Programme, the Minister shall, upon the recommendation of the Superintendent of Secondary Education, grant the candidate a Certificate of Training in Form 13.

SECONDARY SCHOOL GRADUATION DIPLOMA
FIVE-YEAR PROGRAMME

- 44.—(1) Where the principal of a secondary school or an inspected private school reports to the Deputy Minister on behalf of a candidate that he has,
- (a) attended regularly the Grades 11 and 12 day or evening classes of the said school in the Five-Year Programme in one of the branches; and
 - (b) been granted Grade 12 standing in all the required subjects,
- the Minister shall, upon the recommendation of the Superintendent of Secondary Education, grant him a Secondary School Graduation Diploma in Form 14.
- (2) Where the principal of a secondary school or an inspected private school reports to the Deputy Minister on behalf of a candidate that he has,
- (a) attended regularly the Grade 12 day or evening classes of the said school in the Five-Year Programme in one of the branches;
 - (b) obtained Grade 12 standing in the required subjects of Grade 12 in the day or evening classes of the said school; and
 - (c) obtained standing elsewhere in courses of study which in the opinion of the principal are equal in content to that of the Grade 11 work in the required subjects concerned,

the Minister shall, upon the recommendation of the Superintendent of Secondary Education, grant him the Secondary School Graduation Diploma of the Five-Year Programme in Form 14.

PRIVATE STUDY CANDIDATES

45. Where the principal of a secondary school or an inspected private school reports to the Deputy Minister on behalf of a candidate,
- (a) that he has submitted evidence that by private study or otherwise he has obtained statements of Grade 12 standing in the Five-Year Programme of one of the branches in all of the required subjects; and
 - (b) that the last standing required was obtained at the school of which he is principal,

the Minister shall, upon the recommendation of the Superintendent of Secondary Education, grant the candidate the Secondary School Graduation Diploma of the Five-Year Programme in Form 15.

DEPARTMENTAL CORRESPONDENCE COURSES

46. Where the Director of the Departmental Correspondence Courses reports to the Deputy Minister on behalf of a candidate,

- (a) that he has submitted evidence that by private study or otherwise he has obtained Grade 12 standing in all of the required subjects; and
(b) that the last standing required was obtained through the Departmental Correspondence Courses,

the Minister shall, upon the recommendation of the Superintendent of Secondary Education, grant the candidate the Secondary School Graduation Diploma of the Five-Year Programme in Form 14.

CANDIDATES COMPLETING REQUIREMENTS AT SUMMER SCHOOLS

47. Where the principal of a secondary school or an inspected private school reports to the Deputy Minister on behalf of a candidate that he,

- (a) failed to complete the requirements for the diploma at the end of the school year; and
(b) through attendance and examination at a summer school under section 15 completed the requirements,

the Minister shall, upon the recommendation of the Superintendent of Secondary Education, grant the candidate the Secondary School Graduation Diploma of the Five-Year Programme in Form 14.

SECONDARY SCHOOL GRADUATION DIPLOMA FOUR-YEAR PROGRAMME

48. Where the principal of a secondary school or an inspected private school reports to the Deputy Minister on behalf of a candidate that he has,

- (a) attended regularly the Grades 11 and 12 day or evening classes of the said school in the Four-Year Programme in one of the branches; and
(b) been granted Grade 12 standing in all the required subjects,

the Minister shall, upon the recommendation of the Superintendent of Secondary Education, grant him a Secondary School Graduation Diploma in Form 16.

STATEMENTS OF STANDING

49.—(1) Upon the request of a pupil who has left a secondary school and who has completed successfully,

- (a) Grades 9 and 10, or 11 of the Five-Year Programme in one of the branches; or
(b) Grades 9 and 10, or 11 of the Four-Year Programme in one of the branches,

the principal of the school shall issue to the pupil a Statement of Standing in Form 17.

(2) Upon the request of a pupil who has left an elementary school and who has completed successfully Grades 9 and 10 of a course given

in the school, the elementary-school inspector shall, upon the recommendation of the principal, issue to the pupil a Statement of Standing in Form 18.

10. Form 1 to Ontario Regulation 142/61 is revoked.

11. Ontario Regulation 142/61 is amended by adding thereto the following Form:

Form 8a

The Department of Education Act

STATEMENT OF EQUIVALENT EDUCATIONAL STANDING

CANADIAN VOCATIONAL TRAINING PROGRAMME

This is to certify that.....who attended successfully a course at.....in

19.... under the Canadian Vocational Training Programme is considered by the Ontario Department of

Education to hold standing equivalent to Grade..... of the.....

(General, Technical, Home Economics, Com-

mercial, Art) Course in..... (name of subject)

..... Registrar

Dated at Toronto this.....day of....., 19....

12. Form 11 to Ontario Regulation 142/61 is amended by striking out "of the General Course" in each instance in,

- (a) the fourth line;
(b) the sixth line; and
(c) the ninth and tenth lines.

13. Form 12 to Ontario Regulation 142/61 is revoked and the following substituted therefor:

Form 12

The Department of Education Act

CERTIFICATE OF STANDING TWO-YEAR PROGRAMME

This Certificate of Standing in the Two-Year Programme is granted to.....a pupil of (name of pupil)

.....who was regularly promoted to Grade 9 (name of school)

and who has completed successfully in a secondary school, in accordance with the regulations prescribed for the Department of Education, the Two-Year Programme in the.....Branch.

(name of branch)

..... Minister of Education

..... Principal of School

Dated at Toronto this.....day of....., 19....

Form 13

The Department of Education Act

CERTIFICATE OF TRAINING

This Certificate of Training is granted to.....
(name of pupil)

a pupil of.....who has completed successfully in a secondary school, in accordance with the regulations prescribed for the Department of Education, a.....-year course of study of the Occupational Programme, in which he received training in the following skill(s):

.....
.....
Minister of Education
.....
Principal of School

Dated at Toronto this.....day of....., 19.....

Form 14

The Department of Education Act

SECONDARY SCHOOL GRADUATION DIPLOMA FIVE-YEAR PROGRAMME

This Secondary School Graduation Diploma of the Five-Year Programme in the.....Branch
(name of Branch)

is granted to.....a pupil of.....who has completed successfully the courses of study for Grades 11 and 12 in English, History, Physical Education, and....., and the following optional subjects:

This diploma grants the holder admission to Grade 13.

Dated at.....the.....day of....., 19.....
.....
Minister of Education
.....
Principal of School

Form 15

The Department of Education Act

SECONDARY SCHOOL GRADUATION DIPLOMA FIVE-YEAR PROGRAMME

This Secondary School Graduation Diploma of the Five-Year Programme in the.....Branch
(name of branch)

is granted to.....who has been

recommended by the undersigned principal of.....
(name

.....and has completed successfully the courses of study for Grades 11 and 12 in English, History, Physical Education and....., and the following optional subjects:

This diploma grants the holder admission to Grade 13.

Dated at.....the.....day of....., 19.....
.....
Minister of Education
.....
Principal of School

Form 16

The Department of Education Act

SECONDARY SCHOOL GRADUATION DIPLOMA FOUR-YEAR PROGRAMME

This Secondary School Graduation Diploma of the Four-Year Programme in the.....Branch
(name of branch)

is granted to.....a pupil of.....who has completed successfully the courses of study for Grades 11 and 12 in English, History, Physical Education, and..... and the following optional subjects:

Dated at Toronto this.....day of....., 19.....
.....
Minister of Education
.....
Principal of School

Form 17

The Department of Education Act

STATEMENT OF STANDING

This Statement of Standing is granted to.....
(name of pupil)

a pupil of.....who has completed successfully in a secondary school, in accordance with the regulations prescribed for the Department of Education, Grade.....of the.....-Year Programme in the.....
(Arts and Science; Business and Commerce; Science, Technology, and Trades)

has in addition attended classes in this school for..... months in Grades..... up to.....
(11 or 12) (Date of Leaving)

.....
Principal of School
Dated at.....the.....day of....., 19.....

Form 18

The Department of Education Act

STATEMENT OF STANDING

This Statement of Standing is granted to.....
(name of

..... who has been a pupil of.....
pupil) (name of school)

operated by..... and has completed
(name of board)
successfully Grades 9 and 10 in accordance with the
regulations prescribed for the Department of Educa-
tion.

.....
Elementary School Inspector

Dated at..... the..... day of....., 19...

WILLIAM G. DAVIS,
Minister of Education.

Toronto, April 9th, 1964.

(749)

24

THE DEPARTMENT OF EDUCATION ACT

O. Reg. 123/64.

Auxiliary-Education Services.

Made—May 12th, 1964.

Approved—May 28th, 1964.

Filed—June 4th, 1964.

REGULATION MADE UNDER
THE DEPARTMENT OF EDUCATION ACT

AUXILIARY-EDUCATION SERVICES

TYPES OF SERVICES

1. The types of auxiliary-education classes estab-
lished with the approval of the Minister are,

- (a) braille classes for blind children;
- (b) classes for children clinically diagnosed as emotionally disturbed and who are unable to profit from a regular classroom programme but who may profit from special classroom instruction;
- (c) classes for gifted children for whom a special programme is provided;
- (d) classes for children clinically diagnosed as neurologically impaired and who are unable to profit from a regular classroom programme but who may profit from special classroom instruction;
- (e) hard-of-hearing classes for children with hearing loss sufficient to interfere seriously with progress in school;
- (f) health classes for children with health problems and for whom a special programme is provided;
- (g) hospital classes for children confined to hospital-type residential settings;
- (h) institutional classes for children in children's homes or children's shelters;

- (i) limited-vision classes for children whose vision is limited to the extent that it will interfere seriously with their progress in school;
- (j) opportunity classes for educable-retarded children who are unable to profit from a regular classroom programme but who may profit from special instruction and may include slow-learning or educationally-retarded pupils if provision has been made for the educable-retarded group;
- (k) oral classes for deaf children; and
- (l) orthopaedic classes for physically disabled children.

2. With the approval of the Minister, a board may employ one or more of the following auxiliary-education teachers:

1. Full-time home-instruction teacher.
2. Full-time itinerant auxiliary teacher in a municipality not exceeding a population of 15,000.
3. Full-time itinerant teacher for hard-of-hearing pupils.
4. Full-time itinerant teacher for limited-vision pupils.
5. Full-time speech-correction teacher.

3. The types of auxiliary-education units established with the approval of the Minister are,

- (a) home-instruction unit for a pupil absent from school because of illness and for whom medical evidence is submitted that he cannot attend school for a period of at least four weeks;
- (b) limited-vision unit for a pupil whose vision is limited to the extent that it will interfere seriously with his progress in school and for whom magna-type material is recommended by a legally qualified medical practitioner;
- (c) opportunity unit for an educable-retarded or slow-learning pupil or pupils in a school not served by an itinerant auxiliary teacher and in a school area where it is not feasible for the pupil or pupils to attend an opportunity class; and
- (d) orthopaedic unit for a physically handicapped pupil who is in need of assistance in the form of transportation or special equipment or both in order to attend school, if a legally qualified medical practitioner certifies that such transportation or special equipment or both will be required for a period of at least four weeks.

ADMISSION OF PUPILS

4. Before the board referred to in section 57 of *The Schools Administration Act* recommends the admission of a pupil to an auxiliary-education class, it shall obtain evidence that the pupil has had,

- (a) an individual intellectual assessment conducted by a person who is deemed competent to do so by the inspector concerned; and
- (b) a medical examination conducted by a legally qualified medical practitioner.

ENROLMENT

5.—(1) The maximum enrolment of an auxiliary-education class is,

- (a) in a braille class, ten pupils;

- (b) in a class for emotionally disturbed children, eight pupils per teacher;
- (c) in a class for gifted children, twenty-five pupils;
- (d) in a class for neurologically impaired children, eight pupils per teacher;
- (e) in a hard-of-hearing class, twelve pupils;
- (f) in a health class, thirty pupils;
- (g) in a hospital class, twenty-five pupils;
- (h) in an institutional class, thirty pupils;
- (i) in a limited-vision class, twelve pupils;
- (j) in a primary opportunity class, twelve pupils;
- (k) in a junior opportunity class, sixteen pupils;
- (l) in an intermediate opportunity class, sixteen pupils;
- (m) in a senior opportunity class, twenty pupils;
- (n) in an opportunity class not organized according to predetermined chronological age range, sixteen pupils;
- (o) in an oral class, ten pupils;
- (p) in an orthopaedic class, twelve pupils.

(2) The chronological age range within an opportunity class shall not exceed five years.

(3) The maximum case load served by a home-instruction teacher shall be eight.

(4) The maximum number of schools served by an itinerant auxiliary teacher shall be twenty with a minimum of two half-day visits per four weeks.

(5) The maximum case load for individual or small group instruction for a speech-correction teacher shall be 150.

HOME INSTRUCTION

6. Every pupil given home instruction shall receive a minimum of 150 minutes of instruction each week, given in at least two periods.

EQUIPMENT

7. Where a board establishes an auxiliary-education class, it shall provide for the use of the pupils enrolled therein the equipment and materials for their special needs.

QUALIFICATIONS OF TEACHERS

8. A teacher of an auxiliary-education class, or a full-time home instruction teacher, speech-correction teacher, itinerant auxiliary teacher, itinerant limited-vision teacher, itinerant hard-of-hearing teacher appointed with the approval of the Minister, shall hold,

- (a) a certificate qualifying him to teach in an elementary or secondary school, as the case may be; and
- (b) an auxiliary-education certificate with the appropriate option for the type of position held.

GRANTS FOR HANDICAPPED INDIVIDUALS

9. Where,

- (a) a handicapped individual requires habilitation training or assistance in order to take advantage of the regular instructional programme of an elementary or secondary school;

(b) the Superintendent of Elementary Education, and the Superintendent of Special Services report to the Minister that there is urgent need for special educational services for the individual; and

(c) a legally qualified medical practitioner certifies that because of a handicap the individual is unable to take advantage of the regular instructional facilities,

the Minister may make an annual grant to assist in the provision of an instructional programme for the habilitation of the individual.

REVOCATION OF REGULATION

10. Regulation 80 of Revised Regulations of Ontario, 1960 is revoked.

WILLIAM G. DAVIS,
Minister of Education.

Toronto May 12th, 1964.

(750)

24

THE PUBLIC SERVICE ACT, 1961-62

O. Reg. 124/64.

The Ontario Provincial Police
Negotiating Committee.
Made—May 13th, 1964.
Approved—May 14th, 1964.
Filed—June 4th, 1964.

REGULATION MADE UNDER THE PUBLIC SERVICE ACT, 1961-62

THE ONTARIO PROVINCIAL POLICE NEGOTIATING COMMITTEE

1.—(1) The Ontario Provincial Police Negotiating Committee is established to consider submissions of the Ontario Provincial Police Association respecting the terms of employment of police officers and constables, including working conditions, remuneration, leaves and hours of work.

(2) The Committee shall be composed of six members appointed by the Lieutenant Governor in Council, of whom three shall be appointed on the recommendation of the Ontario Provincial Police Association.

CIVIL SERVICE COMMISSION:

D. J. COLLINS,
Chairman.

Dated at Toronto, this 13th day of May, 1964.

(751)

24

THE MILK INDUSTRY ACT

O. Reg. 125/64.

Price Formula.
Made—May 26th, 1964.
Filed—June 5th, 1964.

REGULATION MADE UNDER THE MILK INDUSTRY ACT

PRICE FORMULA

1. The price formula for fluid milk in the Schedule is approved.

2. The Board refuses to file an agreement respecting prices that shall be paid to the producers supplying fluid milk to the distributors in a market where the prices are not in accordance with the price formula for fluid milk in the Schedule.

3. Ontario Regulation 343/61, as amended by Ontario Regulation 27/63, is revoked.

THE MILK INDUSTRY BOARD
OF ONTARIO:

G. A. McCAGUE,
Chairman.

A. S. NYHOLT,
Secretary.

Dated at Toronto, this 26th day of May, 1964.

Schedule

PRICE FORMULA FOR FLUID MILK

1. In this price formula for fluid milk,

- (a) "General Wholesale Price Index for Canada" means the General Index of Wholesale Price Indexes determined each month and published by the Dominion Bureau of Statistics, in the publication known as the D.B.S. Weekly Bulletin;
- (b) "Fluid Milk Sales as Per Cent of Total Milk Sales in Ontario" means the twelve-month moving average of the monthly percentages of fluid milk sales of total milk sales in Ontario as determined from the production and sales of milk as prepared by the Farm Economics and Statistics Branch and published monthly by the Ontario Department of Agriculture in the publication known as Monthly Dairy Report;
- (c) "Price Index Number of Commodities and Services Used by Farmers" means the Composite Index Exclusive of Living Component for Eastern Canada determined in January, April and August each year as prepared by the Prices Section, Labour and Prices Division of the Canada Department of Trade and Commerce and published by the Dominion Bureau of Statistics in the publication known as Price Index Numbers of Commodities and Services Used by Farmers;
- (d) "Inverse of Milk Production per Cow in Ontario" means the five-year moving average of the annual milk production per cow in Ontario used as an inverse index as determined from the annual production of milk in Ontario divided by the number of cows for milk purposes in Ontario in the month of June as prepared by the Farm Economics and Statistics Branch and published annually by the Ontario Department of Agriculture in the publication known as Agricultural Statistics in Ontario;
- (e) "Price for Butterfat in Ontario" means the average price for milk-fat paid to farmers by creameries in Ontario each month as prepared by the Dairy Branch and published by the Ontario Department of Agriculture in the publication known as Agricultural News;

(f) "Price for Milk for Condensed Products" means the average price for milk for processing into evaporated milk paid to farmers in Ontario each month as specified in agreements and awards filed with the Board respecting payments for milk for manufacture into concentrated milk products and as prepared by the Dairy Branch and published by the Ontario Department of Agriculture in the publication known as Agricultural News;

(g) "Ontario formula price for fluid milk" in respect of any month means the formula price for fluid milk determined for each 100 pounds of fluid milk supplied to distributors by producers by the application of the price formula for fluid milk for the preceding month.

PROCEDURES FOR PRICE FORMULA

2.—(1) The Ontario formula price for fluid milk for any month shall be determined not later than the tenth day of the month immediately preceding that month.

(2) The amounts in column 2 for items 1 to 6 of column 2 of the Table in section 3 shall be obtained from the most recent publication in respect of those items.

(3) The amounts for items 1 to 6 in column 5 of the Table in section 3 shall be obtained by multiplying the amount in column 2 by the amount in column 3 by the amount in column 4 in respect of each item.

(4) The amount for item 7 of the Table in section 3 shall be the total amount obtained by adding the amounts of items 1 to 6 in column 5.

(5) The amount for item 8 of the Table in section 3 shall be obtained by multiplying the amount in item 7 by 5.0561.

(6) The amount for item 9 of the Table in section 3 shall be obtained by taking the average of the amount in item 8 of the Table and the amount in item 8 in the tables for each of the two months immediately preceding.

(7) The amount in clause *d* of item 11 of the Table shall be 5.29, or an amount of .19 or exact multiple thereof more than, or less than, 5.29, and the manner of determining whether the amount shall be 5.29 or more than, or less than 5.29 shall be by dividing the amount in item 10 by .19 and, where the integral figure resulting from that division is at least 1 but less than 2, the amount of the increase to, or decrease from, 5.29, as the case may be, shall be .19 and, where the integral figure resulting from that division is 2 or more, the amount of increase in or decrease from 5.29, as the case may be, shall be .19 multiplied by the amount of that integral figure.

(8) The Ontario formula price for fluid milk in respect of the month immediately following the month for which the Table in section 3 is made shall be the amount determined in clause *d* of item 11 of the Table multiplied by \$1.

3. The price formula for fluid milk by which the Ontario formula price for fluid milk in respect of any month is determined shall be in accordance with the procedures mentioned in section 2 and the following Table:

TABLE

For the month of, 19.....

ITEM	COLUMN 1	COLUMN 2	COLUMN 3	COLUMN 4	COLUMN 5
1	General Wholesale Price Index for Canada		.436300	.2	
2	Fluid Milk Sales as Per Cent of Total Milk Sales in Ontario		2.739726	.2	
3	Price Index Number of Commodities and Services Used by Farmers		.373413	.3	
4	Inverse of Milk Production per Cow in Ontario		627200.	.1	
5	Price for Butterfat in Ontario		1.560549	.1	
6	Price for Milk for Condensed Products		34.013605	.1	
7	Total Amount				
8	$\frac{\text{---}}{\text{(total amount in item 7)}} \times 5.0561 = \text{---} \text{ (amount)}$				
9	Three-month average of amounts in item 8 and this Table and in item 8 of each of the Tables for the preceding 2 months: $\frac{\text{---} + \text{---}}{3} = \text{---} \text{ (amount)}$				
10	$\frac{\text{---}}{\text{(amount in item 9)}} - 5.29 = \frac{\text{---}}{\text{---}} \text{ (amount)}$				
11	(a) $\frac{\text{---} \text{ (amount in item 10)}}{.19} = \text{---} \text{ (amount)}$ (b) Integral figure resulting from division under clause a is $\text{---} \text{ (amount)}$ (c) $.19 \times \text{---} \text{ (amount in clause b)} = \text{---} \text{ (amount)}$ (d) $5.29 + \frac{\text{---} \text{ (amount in clause c)}}{\text{---}} = \text{---} \text{ (amount)}$				
12	Ontario formula price for fluid milk for the month of (month following month of Table) 19..... is $\times \$1 = \$$ (amount of clause d of item 11)				

THE MINIMUM WAGE ACT

O. Reg. 126/64.

Construction Workers in Oshawa, Toronto,
Hamilton and Southern Ontario Zone.
Made—June 4th, 1964.
Filed—June 5th, 1964.

ORDER MADE UNDER
THE MINIMUM WAGE ACT

1.—(1) Subclause iii of clause *b* of section 1 of Ontario Regulation 134/63, as remade by subsection 2 of section 1 of Ontario Regulation 99/64, is amended by striking out "Iroquois" in the fourth line.

(2) Subclause v of clause *b* of the said section 1, as remade by subsection 2 of section 1 of Ontario Regulation 99/64, is amended by striking out "and" where it appears the first time in the ninth line and by inserting after "Cashel" in the last line "and Wollaston".

2. This Order comes into force on the 29th day of June, 1964.

INDUSTRY AND LABOUR BOARD:

E. G. GIBB,
Chairman.

J. F. NUTLAND,
Member.

H. G. PIERCY,
Member.

Dated at Toronto, this 4th day of June, 1964.

(753)

24

THE MINIMUM WAGE ACT

O. Reg. 127/64.

General in Southern Ontario Zone.
Made—June 4th, 1964.
Filed—June 5th, 1964.

ORDER MADE UNDER
THE MINIMUM WAGE ACT

1.—(1) Clause *c* of section 1 of Ontario Regulation 97/64 is amended by striking out "Iroquois" in the third line.

(2) Clause *c* of the said section 1 is amended by striking out "and" where it appears the first time in the last line and by inserting after "Cashel" in the last line "and Wollaston".

2. This Order comes into force on the 29th day of June, 1964.

INDUSTRY AND LABOUR BOARD:

E. G. GIBB,
Chairman.

J. F. NUTLAND,
Member.

H. G. PIERCY,
Member.

Dated at Toronto, this 4th day of June, 1964.

(754)

24

THE MINIMUM WAGE ACT

O. Reg. 128/64.

Hotel and Restaurant Workers in Southern
Ontario Zone.
Made—June 4th, 1964.
Filed—June 5th, 1964.

ORDER MADE UNDER
THE MINIMUM WAGE ACT

1.—(1) Subclause iii of clause *b* of section 1 of Ontario Regulation 98/64 is amended by striking out "Iroquois" in the fourth line.

(2) Subclause v of clause *b* of the said section 1 is amended by striking out "and" where it appears the first time in the ninth line and by inserting after "Cashel" in the last line "and Wollaston".

2. This Order comes into force on the 29th day of June, 1964.

INDUSTRY AND LABOUR BOARD:

E. G. GIBB,
Chairman.

J. F. NUTLAND,
Member.

H. G. PIERCY,
Member.

Dated at Toronto, this 4th day of June, 1964.

(755)

24

Publications Under The Regulations Act

June 20th, 1964

THE TOURIST ESTABLISHMENTS ACT

O. Reg. 129/64.

General.

Made—June 3rd, 1964.

Filed—June 9th, 1964.

REGULATION MADE UNDER THE TOURIST ESTABLISHMENTS ACT

1.—(1) Paragraph 4 of subsection 1 of section 1 of Regulation 556 of Revised Regulations of Ontario, 1960 is amended by inserting after "establishment" in the second line "consisting of at least five camping lots and".

(2) Paragraph 8 of subsection 1 of the said section 1 is revoked and the following substituted therefor:

(8) "Deputy Minister" means the Deputy Minister of Tourism and Information.

(3) Paragraph 9 of subsection 1 of the said section 1 is revoked.

(4) Paragraph 12 of subsection 1 of the said section 1 is revoked and the following substituted therefor:

12. "hotel" means a tourist establishment that consists of one building or two or more connected or adjacent buildings and that,

(i) throughout all or part of a year furnishes sleeping accommodation,

(ii) may or may not furnish three meals a day, and

(iii) is not a cabin establishment, cottage establishment, camping establishment, motel, motor hotel, resort or tourist home.

(5) Paragraph 13 of subsection 1 of the said section 1 is revoked.

(6) Paragraph 15 of subsection 1 of the said section 1 is amended by striking out "district inspector of the Department of Travel and Publicity" in the first and second lines and inserting in lieu thereof "tourist industry officer of the Department of Tourism and Information".

(7) Paragraph 16 of subsection 1 of the said section 1 is revoked.

(8) Paragraph 17 of subsection 1 of the said section 1 is revoked and the following substituted therefor:

17. "motel" means a tourist establishment that,

(i) consists of one or more than one building containing more than one rental unit and,

(ii) is designed to accommodate the public for whom the automobile is the principal means of transportation, and

(iii) is not a camping establishment or a tourist home.

(9) Subsection 1 of the said section 1 is amended by adding thereto the following paragraph:

17a. "motor hotel" means a tourist establishment that,

(i) consists of one or more than one building containing more than one rental unit,

(ii) has facilities for serving meals,

(iii) may or may not be licensed under *The Liquor Licence Act*,

(iv) is designed to accommodate the public for whom the automobile is the principal means of transportation, and

(v) is not a camping establishment or a tourist home.

(10) Paragraph 19 of subsection 1 of the said section 1 is amended by inserting after "cabin" in the first line "camping lot".

(11) Subsection 1 of the said section 1 is amended by adding thereto the following paragraph:

19a. "resort" means a tourist establishment that operates throughout all or part of the year and that has facilities for serving meals and furnishes equipment, supplies or services to persons in connection with angling, hunting, camping or recreational purposes.

(12) Paragraphs 23 and 25 of subsection 1 of the said section 1 are revoked.

(13) Subsection 2 of the said section 1 is revoked and the following substituted therefor:

(2) Tourist establishments are classified as,

(a) cabin establishments;

(b) camping establishments;

(c) cottage establishments;

(d) hotels;

(e) motels;

(f) motor hotels;

(g) resorts;

(h) tourist homes; and

(i) tourist establishments that have two or more rental units and that are not included in clauses a to h.

2.—(1) Subsection 1 of section 2 of Regulation 556 of Revised Regulations of Ontario, 1960 is amended by striking out "without a permit to erect or establish the tourist establishment in Form 1" in the third and fourth lines and inserting in lieu thereof "or make additions to or structural alterations in accommodation at a tourist establishment without a permit in Form 1".

(2) Subsection 2 of the said section 2 is amended by inserting after "establishment" in the fourth line "or of the proposed additions to or structural alterations in accommodation at the tourist establishment".

(3) Subsection 4 of the said section 2 is amended by inserting after "establishment" in the second line "or make additions to or structural alterations in accommodation at the tourist establishment".

3. Subsection 3 of section 3 of Regulation 556 of Revised Regulations of Ontario, 1960 is amended by striking out,

- (a) "elsewhere in the same district" in the second line of clause *b*; and
- (b) "in that district" in the seventh line.

4. Clauses *a* and *b* of subsection 3 of section 4 of Regulation 556 of Revised Regulations of Ontario, 1960 are revoked and the following substituted therefor:

- (a) before expiry of the current licence, where the establishment is operated throughout the year; or
- (b) before the 1st day of July in each year, where the establishment is operated for only part of the year.

5. Clauses *b* and *c* of subsection 1 of section 8 of Regulation 556 of Revised Regulations of Ontario, 1960 are revoked and the following substituted therefor:

- (b) *The Department of Tourism and Information Act*; or
- (c) any other law, regulation or by-law applicable to that establishment.

6.—(1) Clause *a* of subsection 1 of section 11 of Regulation 556 of Revised Regulations of Ontario, 1960 is amended by striking out "district" in the first line and inserting in lieu thereof "County or District".

(2) Clause *b* of subsection 1 of the said section 11 is amended by striking out "Travel and Publicity" in the third line and inserting in lieu thereof "Tourism and Information".

7. Clause *a* of section 17 of Regulation 556 of Revised Regulations of Ontario, 1960 is amended by striking out "clean and" in the first line and inserting after "water" in the second line "for all drinking and domestic purposes".

8.—(1) Subsection 1 of section 18 of Regulation 556 of Revised Regulations of Ontario, 1960 is revoked.

(2) Subsection 3 of the said section 18 is amended by striking out "a testing officer" in the third line and inserting in lieu thereof "the health authority".

9. Section 19 of Regulation 556 of Revised Regulations of Ontario, 1960 is revoked and the following substituted therefor:

- 19.—(1) Where an establishment operates throughout the year and the drinking water is not supplied by a municipality or public utility, the operator shall submit a sample of the drinking water to a Department of Health Laboratory for bacteriological examination at intervals not greater than six months.
- (2) Where an establishment operates for only part of the year and the drinking water is not supplied by a municipality or public utility, the operator shall submit a sample of the drinking water to a Department of Health Laboratory for bacteriological examination within thirty days of the date of opening in that year.

(3) Where an examination discloses the presence of coliform organisms in the sample of drinking water, that water and all water from the same source shall be deemed to be not potable and shall not be used except under such conditions as the health authority prescribes.

(4) The operator shall maintain a file containing all water examination reports sent to him by a Department of Health Laboratory and the file shall be open to inspection by the health authority or an officer of the Department of Tourism and Information.

10. Subsection 1 of section 33 of Regulation 556 of Revised Regulations of Ontario, 1960 is revoked and the following substituted therefor:

(1) A privy shall be maintained in a sanitary condition at all times during the period of operation of the tourist establishment.

11. Subsection 2 of section 35 of Regulation 556 of Revised Regulations of Ontario, 1960 is revoked.

12. Subsection 1 of section 36 of Regulation 556 of Revised Regulations of Ontario, 1960 is amended by inserting after "establishment" in the fourth line "or a camping establishment".

13.—(1) Clause *b* of subsection 1 of section 39 of Regulation 556 of Revised Regulations of Ontario, 1960 is revoked and the following substituted therefor:

(b) a basin; and

(2) Clauses *d*, *e*, *f*, *g*, *h*, *i*, *j* and *k* of subsection 1 of the said section 39 are revoked.

(3) Subsection 2 of the said section 39 is amended by striking out "basin" in the first line.

(4) Subsection 4 of the said section 39 is revoked and the following substituted therefor:

(4) Before a guest occupies a rental unit the bathroom and all fixtures shall be thoroughly cleaned.

14. Section 40 of Regulation 556 of Revised Regulations of Ontario, 1960 is revoked and the following substituted therefor:

40.—(1) Subject to subsection 2, where flush toilets, urinals and wash basins are to be used by guests in common at a camping establishment and the number of persons entitled to use those common facilities is in a group itemized in column 1 of the Table, the operator of the camping establishment shall provide,

(a) at least the number of wash basins set opposite thereto in column 2;

(b) for male guests, at least the number of,

- (i) flush toilets set opposite thereto in Part 1 of column 3, and

- (ii) urinals set opposite thereto in Part 2 of column 3; and

(c) for female guests, at least the number of flush toilets set opposite thereto in column 4.

TABLE

COLUMN 1		COLUMN 2	COLUMN 3		COLUMN 4
			Males		Females
			Part 1	Part 2	
Item No.	Number of persons	Minimum number of wash basins	Minimum number of flush toilets	Minimum number of urinals	Minimum number of flush toilets
1	up to 18	2	1	0	1
2	19 to 80	2	2	1	2
3	81 to 120	3	2	1	2
4	121 to 210	3	2	2	3
5	211 to 280	4	3	2	4
6	281 to 350	5	3	3	5

- (2) Where, because of the absence of a water-pressure system, the operator of a camping establishment is unable to comply with subsection 1, he shall provide two privies for every seven camping lots.
- (3) Each camping lot shall have an area of at least 1,600 square feet.
- (4) Camping lots shall be accessible by means of a driveway,
 - (a) at least ten feet wide, where the driveway is for one-way traffic;
 - (b) at least twenty feet wide, where the driveway is for two-way traffic; and
 - (c) so constructed that automobiles and trailers will not become mired.
- (5) The operator of a camping establishment shall provide,
 - (a) one table for each camping lot; and
 - (b) one garbage can for each camping lot.
- (6) The operator of a camping establishment shall not allow the camping establishment to consist, at any time, of more camping lots than in the proportion of ten camping lots for each acre of land at that time suitable for accommodation of tents and trailers.

15.—(1) Clause *b* of subsection 2 of section 41 of Regulation 556 of Revised Regulations of Ontario, 1960 is amended by adding at the end thereof "who does not register separately".

(2) Subsection 2 of the said section 41 is amended by striking out "who does not register separately" in the last line.

(3) Subsection 3 of the said section 41 is amended by striking out "a motel, cabin establishment, camping establishment or tourist home" in the second and third lines and inserting in lieu thereof "a tourist establishment".

16. Clause *c* of subsection 2 of section 43 of Regulation 556 of Revised Regulations of Ontario, 1960 is revoked and the following substituted therefor:

- (c) keep posted in every room or building used for sleeping accommodation and at the registration

desk a notice specifying the rates, in Canadian currency, charged for the room or building, including the lowest single rate and the lowest-double rate and the highest single rate and the highest double rate, and the unit rate if such exists; and

.

17. Section 45 of Regulation 556 of Revised Regulations of Ontario, 1960 is revoked and the following substituted therefor:

- 45. No person accommodated shall light or build a fire other than in equipment provided by the operator or in a place he designates.

18.—(1) Clause *b* of subsection 1 of section 46 of Regulation 556 of Revised Regulations of Ontario, 1960 is revoked and the following substituted therefor:

- (b) ensure that the garbage containers are maintained in a sound and sanitary condition; and

.

(2) Clause *c* of subsection 1 of the said section 46 is amended by striking out "on the premises; and" in the fifth line.

(3) Clause *d* of subsection 1 of the said section 46 is revoked.

19. Section 47 of Regulation 556 of Revised Regulations of Ontario, 1960 is revoked.

20. Clause *b* of section 48 of Regulation 556 of Revised Regulations of Ontario, 1960 is revoked and the following substituted therefor:

- (b) not permit a person accommodated,
 - (i) to light or build a fire except in equipment provided by the operator or in a place he designates, or
 - (ii) to cook food except in a place he designates.

21. Subsection 2 of section 50 of Regulation 556 of Revised Regulations of Ontario, 1960 is revoked.

22.—(1) Subclause *ii* of clause *b* of section 51 of Regulation 556 of Revised Regulations of Ontario, 1960 is amended by striking out "The Department of

Travel and Publicity Act" in the first and second lines and inserting in lieu thereof "The Department of Tourism and Information Act".

(2) Clause b of the said section 51 is amended by adding thereto the following subclause:

(iii) any other law, regulation or by-law applicable to that tourist establishment; and

23. Forms 1 and 2 of Regulation 556 of Revised Regulations of Ontario, 1960 are revoked and the following substituted therefor:

Form 1

The Tourist Establishments Act

PERMIT

TO ERECT OR ESTABLISH A TOURIST ESTABLISHMENT OR TO MAKE ADDITIONS TO OR STRUCTURAL ALTERATIONS IN ACCOMMODATION AT A TOURIST ESTABLISHMENT

No.

Under The Tourist Establishments Act and the regulations, and subject to the limitations thereof,

is permitted to erect or establish a tourist establishment (or to make additions to or structural alterations in accommodation at a tourist establishment) of the class in the following location:

This permit expires one year after the date of issue.

Issued this day of, 19.....

Minister of Tourism and Information

Licence issuer

Mailing address

Form 2

The Tourist Establishments Act

APPLICATION FOR A PERMIT TO ERECT OR ESTABLISH A TOURIST ESTABLISHMENT OR TO MAKE ADDITIONS TO OR STRUCTURAL ALTERATIONS IN ACCOMMODATION AT A TOURIST ESTABLISHMENT

The undersigned applies for a permit to erect or establish a tourist establishment (or to make additions to or structural alterations in accommodation at a tourist establishment) of the following class(es):

- checkbox cabin establishment, resort, camping establishment, motel, cottage establishment, motor hotel, hotel, tourist home, any other tourist establishment having two or more rental units

and in support of this application makes the following statements in respect of the proposed establishment (or the establishment to be added to or structurally altered):

- 1. The owner is (name) (mailing address)
2. The site is City or Town of and Township of in the County or District of
3. It is planned that construction will begin on (date)
4. Details of the plans are herewith attached.

REMARKS:

- 5. The proposed name is.....
- 6. It is fully understood that a permit to erect or establish a tourist establishment *or* to make additions to or structural alterations in accommodation at a tourist establishment does not authorize the operation of the establishment and that the construction of all buildings must conform to the regulations and any municipal by-laws and Provincial and Dominion laws that are applicable thereto.
 Signature of Applicant.....
 Mailing Address.....
 Telephone No.....

24. Paragraph 1 of Form 3 of Regulation 556 of Revised Regulations of Ontario, 1960 is revoked and the following substituted therefor:

- 1. The establishment is of the following class:
 - cabin establishment
 - camping establishment
 - cottage establishment
 - hotel
 - resort
 - motel
 - motor hotel
 - tourist home
 - any other tourist establishment having two or more rental units.

25. Form 4 of Regulation 556 of Revised Regulations of Ontario, 1960 is amended by striking out "Minister of Travel and Publicity" in the fifteenth line and inserting in lieu thereof "Minister of Tourism and Information".

26. Form 5 of Regulation 556 of Revised Regulations of Ontario, 1960 is amended by striking out "The Minister of Travel and Publicity" in the fourth line and inserting in lieu thereof "The Minister of Tourism and Information".

27. Form 6 of Regulation 556 of Revised Regulations of Ontario, 1960 is amended by striking out "Minister of Travel and Publicity" in the eighth and seventeenth lines and inserting in lieu thereof in each case "Minister of Tourism and Information".

28. Schedules 1 to 14 to Regulation 556 of Revised Regulations of Ontario, 1960 are revoked.

(770) 25

THE INDUSTRIAL STANDARDS ACT

O. Reg. 130/64.
Schedule—Bricklaying and Stonemasonry Industry (Toronto).
Made—May 7th, 1964.
Approved—June 3rd, 1964.
Filed—June 10th, 1964.

ORDER MADE UNDER THE INDUSTRIAL STANDARDS ACT

1. Section 4 of the Schedule to Ontario Regulation 202/63 is revoked and the following substituted therefor:

- 4. The minimum rate of wages,
 - (a) for work performed during a regular working day; or
 - (b) subject to subsection 3 of section 3, for night work,
 is \$3.10 an hour.

2. Section 8 of the Schedule to Ontario Regulation 202/63 is revoked and the following substituted therefor:

- 8.—(1) No permit shall be issued by the advisory committee for overtime work except,
 - (a) for overtime work performed under subsection 2;
 - (b) in cases of extreme necessity, where life or property is jeopardized; or
 - (c) for repairs or alterations to buildings, where the overtime work is necessary to prevent the loss of employment to persons who are regularly employed in the buildings being altered or repaired.

- (2) Subject to subsection 3, where an employee is prevented by inclement weather from performing forty hours of work during a regular working week, the employee may perform up to eight hours of overtime work on the Saturday of that week, if the total number of hours of work performed by the employee during that week, including the hours of work performed on the Saturday, does not exceed forty hours.

- (3) The advisory committee shall not issue a permit for overtime work under subsection 2 where the employee has performed more than thirty-six hours of work in the regular working week next preceding the Saturday of that week.

3. Section 9 of the Schedule to Ontario Regulation 202/63 is revoked and the following substituted therefor:

- 9. The rate of wages for overtime work is,
 - (a) for overtime work performed on a holiday, other than overtime work performed under subsection 2 of section 8, \$6.20 an hour;
 - (b) for overtime work performed under subsection 2 of section 8, \$3.10 an hour; and
 - (c) for all other overtime work, \$4.65 an hour.

4. This Order comes into force on the tenth day after the publication thereof in *The Ontario Gazette* under *The Regulations Act*.

We concur,
The Advisory Committee
for the Bricklaying and
Stonemasonry Industry in
the Toronto Zone

INDUSTRY AND LABOUR
BOARD:

LEONARD EDEN
ANTHONY Di ROCCO
D. S. SKINNER
JOHN MEIORIN
J. ZANUSSI

E. G. GIBB,
Chairman.
J. F. NUTLAND,
Member.
H. G. PIERCY,
Member.

Dated at Toronto, this 7th day of May, 1964.

(782)

25

THE TEACHERS' SUPERANNUATION ACT

O. Reg. 131/64.
General.
Made—June 3rd, 1964.
Filed—June 10th, 1964.

REGULATION MADE UNDER THE TEACHERS' SUPERANNUATION ACT

1. Section 21 of Regulation 553 of Revised Regulations of Ontario, 1960, as amended by section 4 of Ontario Regulation 106/63 and section 1 of Ontario Regulation 70/64, is further amended by adding thereto the following item:

11. Canadian Council for Research in Education.

(783)

25

THE TEACHERS' SUPERANNUATION ACT

O. Reg. 132/64.
General.
Made—June 3rd, 1964.
Filed—June 10th, 1964.

REGULATION MADE UNDER THE TEACHERS' SUPERANNUATION ACT

1. Clause *e* of subsection 4 of section 3 of Regulation 553 of Revised Regulations of Ontario, 1960 is revoked and the following substituted therefor:

(*e*) where the Commission so requires, documentary evidence from the employing boards, showing places and dates of employment.

2. Subsection 1 of section 12 of Regulation 553 of Revised Regulations of Ontario, 1960, as remade by section 1 of Ontario Regulation 316/62, is amended by adding thereto the following clause:

(*d*) Saskatchewan.

3.—(1) Subsection 1 of section 13 of Regulation 553 of Revised Regulations of Ontario, 1960, as amended by subsection 1 of section 1 of Ontario Regulation 142/62, is further amended by striking out "1964" in the said amendment and inserting in lieu thereof "1966".

(2) Subsection 2 of the said section 13, as amended by subsection 2 of section 1 of Ontario Regulation 142/62, is further amended by striking out "1964" in the said amendment and inserting in lieu thereof "1966".

(784)

25

THE DEPARTMENT OF MUNICIPAL AFFAIRS ACT

O. Reg. 133/64.

Tax Arrears Procedures and Tax Sales
Procedures—Towns of Bradford and
Alliston.
Made—June 9th, 1964.
Filed—June 12th, 1964.

REGULATION MADE UNDER THE DEPARTMENT OF MUNICIPAL AFFAIRS ACT

TAX ARREARS PROCEDURES AND TAX SALES PROCEDURES, TOWNS OF BRADFORD AND ALLISTON

1. The tax arrears procedures of the Act shall apply and the tax sales procedures of *The Assessment Act*, *The Public Schools Act* and *The Secondary Schools Act* shall not apply to the towns of Bradford and Alliston in the County of Simcoe.

J: W. SPOONER,
Minister of Municipal Affairs.

Dated at Toronto, this 9th day of June, 1964.

(786)

25

THE GUARANTEE COMPANIES SECURITIES ACT

O. Reg. 134/64.
Approved Guarantee Companies.
Made—June 11th, 1964.
Filed—June 12th, 1964.

REGULATION MADE UNDER THE GUARANTEE COMPANIES SECURITIES ACT

1. The Schedule to Ontario Regulation 301/61, as amended by Ontario Regulations 100/62, 275/62, 326/62, 4/63 and 171/63, is further amended by adding thereto the following item:

74a. Simcoe & Erie General Insurance Company

(787)

25

Publications Under The Regulations Act

June 27th, 1964

THE BOILERS AND PRESSURE VESSELS ACT, 1962-63

O. Reg. 135/64.

General.

Made—June 11th, 1964.

Filed—June 16th, 1964.

REGULATION MADE UNDER THE BOILERS AND PRESSURE VESSELS ACT, 1962-63

GENERAL

1. In this Regulation,

- (a) "head" means a head as defined in section 1 of Regulation 39 of Revised Regulations of Ontario, 1960; and
- (b) "heat exchanger" means a heat exchanger as defined in section 1 of Regulation 39 of Revised Regulations of Ontario, 1960.

2. On inspection during construction made in one day and at one location, other than inspection of heat exchangers or pressure vessels to which item 14 of Table 4 of Regulation 39 of Revised Regulations of Ontario, 1960 applies, the fee for inspection,

- (a) of 25 or more pressure vessels where the product of the diameter or width of each pressure vessel, in feet, multiplied by its length-overheads is not greater than 10;
- (b) of 10 or more pressure vessels where the product of the diameter or width of each pressure vessel, in feet, multiplied by its length-overheads is greater than 10 but not greater than 40; or
- (c) of 5 or more pressure vessels where the product of the diameter or width of each pressure vessel, in feet, multiplied by its length-overheads is greater than 40 but not greater than 60,

is \$6 an hour but in no case shall the fee be less than \$20.

(815)

26

THE PUBLIC HEALTH ACT

O. Reg. 136/64.

Health Units—General.

Made—May 22nd, 1964.

Approved—June 11th, 1964.

Filed—June 17th, 1964.

REGULATION MADE UNDER THE PUBLIC HEALTH ACT

1. Schedule 36 to Regulation 510 of Revised Regulations of Ontario, 1960, as made by section 1 of Ontario Regulation 305/63, is revoked and the following substituted therefor:

Schedule 36

METROPOLITAN WINDSOR—ESSEX COUNTY HEALTH UNIT

1. The Board of Health of the Metropolitan Windsor—Essex County Health Unit shall consist of nine members as follows:

- i. One member to be appointed by the Lieutenant Governor in Council.
- ii. Three members to be appointed by the Municipal Council of the City of Windsor.
- iii. One member to be appointed by the Municipal Council of the Town of Riverside.
- iv. Four members to be appointed by the Municipal Council of the County of Essex.

2. A member appointed by a municipal council shall hold office during the pleasure of the municipal council that appointed him.

3. Regulation 510 of Revised Regulations of Ontario, 1960, as amended by Ontario Regulations 274/61, 305/63, 335/63, 72/64 and 109/64, is further amended by adding thereto the following Schedule:

SCHEDULE 26a

RENFREW COUNTY HEALTH UNIT

The Board of Health of the Renfrew County Health Unit shall consist of seven members as follows:

- i. One member to be appointed by the Lieutenant Governor in Council.
- ii. Six members to be appointed annually by the Municipal Council of the County of Renfrew to hold office during its pleasure.

M. B. DYMOND,
Minister of Health.

Dated at Toronto, this 22nd day of May, 1964.

(816)

26

THE HOSPITAL SERVICES COMMISSION ACT

O. Reg. 137/64.

General.

Made—May 6th, 1964.

Approved—June 11th, 1964.

Filed—June 17th, 1964.

REGULATION MADE UNDER THE HOSPITAL SERVICES COMMISSION ACT

1. Part I of Schedule 2 to Regulation 238 of Revised Regulations of Ontario, 1960, as amended by Ontario Regulations 186/61, 275/61, 26/62, 224/62,

297/62, 20/63, 55/63, 105/63, 156/63, 192/63, 301/63 and 58/64, is further amended by adding thereto the following item:

46a. Hagersville West Haldimand Hospital

2. Part II of Schedule 4 to Regulation 238 of Revised Regulations of Ontario, 1960, as remade by section 2 of Ontario Regulation 301/63, and amended by section 1 of Ontario Regulation 108/64, is further amended by adding thereto the following item:

18a. Hagersville West Haldimand Hospital

HOSPITAL SERVICES COMMISSION
OF ONTARIO:

J. B. NEILSON,
Chairman.

E. P. McGAVIN,
Commissioner.

Dated at Toronto, this 6th day of May, 1964.

(817)

26

THE HIGHWAY TRAFFIC ACT

O. Reg. 138/64.
Stop Signs at Intersections.
Made—June 18th, 1964.
Filed—June 19th, 1964.

**REGULATION MADE UNDER
THE HIGHWAY TRAFFIC ACT**

1. Ontario Regulation 117/62, as amended by Ontario Regulations 90/63, 182/63, 208/63, 41/64 and 106/64, is further amended by adding thereto the following Schedule:

Schedule 18

1. Highway No. 98 in the Police Village of Merlin in the townships of Raleigh and Tilbury East in the County of Kent at its intersection with County Road No. 7 (Erie Street).
2. Eastbound and westbound on Highway No. 98.

(818)

26

THE HIGHWAY TRAFFIC ACT

O. Reg. 139/64.
Demerit Point System.
Made—June 18th, 1964.
Filed—June 19th, 1964.

**REGULATION MADE UNDER
THE HIGHWAY TRAFFIC ACT**

1. Item 16 of the Table to Ontario Regulation 129/62 is revoked and the following substituted therefor:

	COLUMN 1	COLUMN 2	COLUMN 3
Item	Provisions for offences	Number of Demerit Points	Short description of offences for convenience of reference only
16	Sections 67a (2) and 67a (3) of <i>The Highway Traffic Act</i>	2	Pedestrian crossover

2. This Regulation comes into force on the 1st day of July, 1964.

(819)

26

THE HIGHWAY TRAFFIC ACT

O. Reg. 140/64.
Signs.
Made—June 18th, 1964.
Filed—June 19th, 1964.

**REGULATION MADE UNDER
THE HIGHWAY TRAFFIC ACT**

1. Regulation 231 of Revised Regulations of Ontario, 1960, as amended by Ontario Regulations 303/61, 29/62, 181/63 and 325/63, is further amended by adding thereto the following section:

PEDESTRIAN CROSSOVER

12a.—(1) A portion of a roadway, designated by by-law of a municipality, at an intersection or elsewhere on the highway as a pedestrian crossover shall be distinctly indicated by,

(a) a sign, rectangular in shape, not less than thirty inches in height and not less than twenty-four inches in width and bearing,

(i) the word "pedestrian" in black letters not less than four inches in height, and

(ii) a black "X" at least sixteen inches in height and situated at least two inches below the word "pedestrian" referred to in sub-clause i,

on a background of white retro-reflective material with a black border;

(b) a sign rectangular in shape, not less than eighteen inches in height by twenty-four inches in width and bearing the words "stop for pedestrians" in black letters not less than four inches in height on a background of white retro-reflective material with a black border; and

(c) a sign, rectangular in shape, not less than thirty inches in height and not less than twenty-four inches in width and bearing,

- (i) in the upper sixteen inches of the sign the words "no passing" in white letters not less than six inches in height on a background of red retro-reflective material with a black border, and
- (ii) in the lower fourteen inches of the sign the words "here to crossing" in black letters not less than four inches in height on a background of white retro-reflective material with a black border.

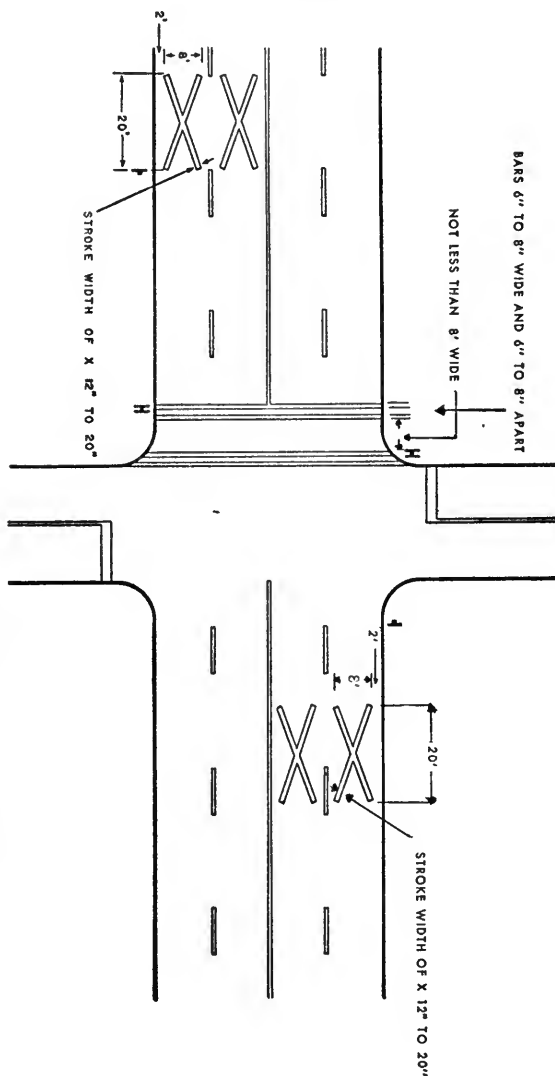
(2) The sign required by,

- (a) clause a of subsection 1 shall be erected in two places, on the same standard so that the signs face in opposite directions on the right side of the highway so that one sign faces approaching traffic;
- (b) clause b of subsection 1 shall be erected in two places, on the same standard and face in the same directions as the signs referred to in clause a and immediately below the signs referred to in clause a,

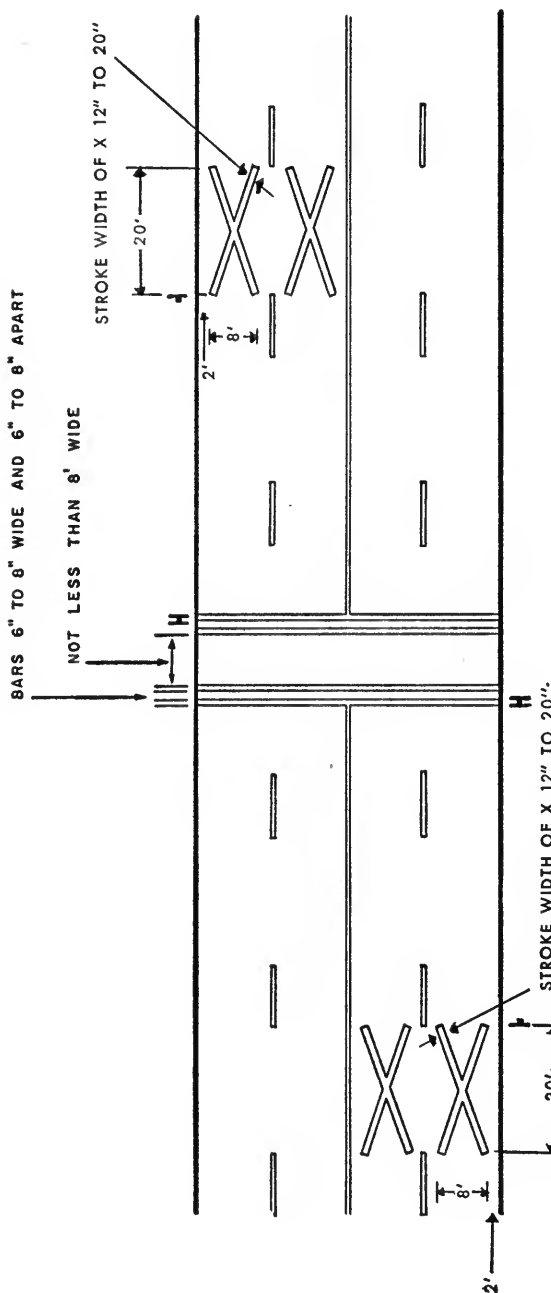
at a point, not more than 12 feet from the edge of the roadway, adjacent to the place where the pedestrian crossover prescribed and illustrated in subsection 4 meets the edge of the roadway.

- (3) The sign required by clause c of subsection 1 shall be erected on the right side of the highway, facing approaching traffic, at a point distant one hundred feet from the pedestrian crossover prescribed and illustrated in subsection 4 and not more than 12 feet from the roadway.
- (4) A pedestrian crossover designated by by-law of a municipality,

- (a) at an intersection on the highway shall be distinctly indicated on the surface of the roadway for pedestrian crossing by markings having the dimensions and being the distances from each other as are prescribed and illustrated in the following diagram:



(b) elsewhere than at an intersection on the highway shall be distinctly indicated on the surface of the roadway for pedestrian crossing by markings having the dimensions and being the distances from each other as are prescribed and illustrated in the following diagram:



(820)

26

THE PUBLIC VEHICLES ACT

O. Reg. 141/64.

General.
Made—June 18th, 1964.
Filed—June 19th, 1964.

REGULATION MADE UNDER THE PUBLIC VEHICLES ACT

1. Form 3 to Regulation 530 of Revised Regulations of Ontario, 1960 is amended by striking out "No chartered trip may be operated under this licence" in the ninth line.

(821)

26

THE FOREST FIRES PREVENTION ACT

O. Reg. 142/64.

Fire Districts.
Made—June 18th, 1964.
Filed—June 19th, 1964.

REGULATION MADE UNDER THE FOREST FIRES PREVENTION ACT

1. Schedules 14 and 16 of Appendix A to Regulation 184 of Revised Regulations of Ontario, 1960 are revoked and the following substituted therefor:

Schedule 14

PORT ARTHUR FIRE DISTRICT

In the Territorial District of Thunder Bay and described as follows:

Beginning at the southwesterly corner of the Territorial District of Thunder Bay; thence north astronomically 84 miles, more or less, to the southwest corner of the Grand Trunk Pacific Railway Land Grant Block No. 6; thence east astronomically along the south limit of that block 18 miles, more or less, to the southeast corner of that block; thence southeasterly in a straight line 6 miles, more or less, to a point in a line distant 4 miles measured north astronomically from the 24th Mile Post on the base line surveyed by Ontario Land Surveyor Ross, in the year 1921, which mile post is distant 24 miles east of the west boundary of the Territorial District of Thunder Bay; thence north 50° 42' 38" east 14.2127 miles; thence north astronomically 2 miles; thence east astronomically 5 miles; thence north astronomically 29 miles to a point distant 44 miles measured north astronomically from the 4th Mile Post on the base line surveyed by Ontario Land Surveyors Phillips and Benner, in the year 1922; thence east astronomically to a point distant 25 miles measured west astronomically from the meridian line surveyed by Phillips and Benner, Ontario Land Surveyors, in the year 1920; thence north astronomically 17.9 miles, more or less, to the intersection with the southerly limit of the right of way of the Canadian National Railways; thence westerly along the said right-of-way limit 16.3

miles, more or less, to the intersection with the meridian line surveyed by Phillips and Benner, in the year 1923; thence north astronomically along the said meridian line, a distance of 36 miles; thence north 61° east 32 miles, more or less, to the intersection with latitude 51° north; thence easterly along the said latitude of 51° north 80 miles, more or less, to the intersection with a line drawn north astronomically from the intersection of the 7th Base Line surveyed by Beatty and Beatty, Ontario Land Surveyors, in the year 1928, with the meridian line surveyed by Phillips and Benner, Ontario Land Surveyors, in the year 1916; thence south astronomically to the 98th Mile Post planted in the said meridian line surveyed by Phillips and Benner, Ontario Land Surveyors, in the year 1916; thence west astronomically 37 miles, more or less, to the intersection with a line drawn north astronomically from a point in the 7th Base Line which is distant 33 miles measured easterly along that base line from its intersection with the meridian line surveyed by Phillips and Benner, Ontario Land Surveyors, in the year 1920; thence south astronomically along that line 21 miles, more or less, to the intersection with the northerly shore of Lake Nipigon; thence in a general southerly, westerly, southerly and easterly direction following the northerly, westerly and southerly shores of Lake Nipigon to the intersection with the westerly shore of the Nipigon River; thence east astronomically across that river to a point in the easterly shore of that river; thence in a general southerly direction following the easterly shore of the Nipigon River to its intersection with the westerly shore of Helen Lake; thence in a general southerly direction following that shore to the southeast corner of the geographic Township of Booth; thence east astronomically 7 miles, more or less, to the intersection with a line drawn south astronomically from the southeast corner of the geographic Township of Ledger; thence south astronomically 3 miles, more or less, to the northerly shore of Nipigon Bay of Lake Superior; thence southeasterly in a straight line, 13 miles, more or less, to the most westerly point in the westerly shore of Isle St. Ignace at the northerly extremity of Nipigon Strait; thence in a general southerly and easterly direction following the westerly and southerly shore of Isle St. Ignace to the southeasterly extremity of Newash Point; thence south astronomically to the intersection of the boundary between Canada and the United States of America; thence in a general westerly direction following that boundary to the southwesterly corner of the Territorial District of Thunder Bay, being the place of beginning.

Schedule 16

SIoux LOOKOUT FIRE DISTRICT

In the territorial districts of Kenora and Thunder Bay and described as follows:

Beginning at a point in the Interprovincial Boundary between Ontario and Manitoba, where the same is intersected by a line drawn west astronomically from the water's edge on the most westerly extremity of Pakwash Lake; thence east astronomically 66 miles and 32 chains, more or less, to the water's edge on the most westerly extremity of Pakwash Lake; thence in a general easterly direction following the water's edge on the southerly shore of that lake to the water's edge on the northeasterly shore of Chukini River; thence in a general southeasterly direction following that water's edge to the intersection with a line drawn north astronomically from the water's edge on the easterly shore of the English River at its confluence with the Chukini River; thence south astronomically to the water's edge on the easterly shore of the English River; thence in a general southeasterly direction following that water's edge and through Camping Lake to the confluence with the water's edge on the easterly shore of Cedar River; thence in a general

southeasterly direction following the water's edge on the easterly shore of Cedar River and Wabaskang Lake to the easterly boundary of the Wabaskang Indian Reserve No. 21; thence southerly along that boundary to the intersection with the 7th Base Line as surveyed by Phillips and Benner, Ontario Land Surveyors, in the year 1927; thence easterly along that base line 9 miles and 35.807 chains, more or less, to the intersection with the 6th meridian line as surveyed by T. J. Patten, Ontario Land Surveyor, in the year 1919; thence southerly along that meridian line 24 miles, more or less, to the northwesterly corner of the geographic Township of Rowell; thence easterly along the northerly boundary of that geographic township to the northeasterly corner thereof; thence southerly along the easterly boundary of that geographic township and the geographic Township of Britton to the southeasterly corner of the last-mentioned geographic township; thence easterly along the northerly boundaries of the geographic townships of Zealand, Brownridge and Laval to the northeasterly corner of the last-mentioned geographic township; thence southerly along the easterly boundaries of the geographic townships of Laval and Hartman to the intersection with a line drawn west astronomically from the 69th Mile Post on the 5th meridian line as surveyed by A. Niven, Ontario Land Surveyor, in the year 1897; thence east astronomically to the said 69th Mile Post; thence southerly along the said meridian line and continuing southerly along the 5th meridian line as surveyed by A. Niven in the year 1893 to the southerly boundary of the Territorial District of Kenora; thence easterly along that boundary to the westerly boundary of the Territorial District of Thunder Bay; thence northerly along that boundary to the southwesterly corner of Grand Trunk Pacific Block No. 6; thence easterly along the southerly limit of that block, 18 miles, more or less, to the southeasterly corner of that block; thence southeasterly in a straight line, 6 miles, more or less, to a point in a line distant 4 miles measured north astronomically from the 24th Mile Post on the base line surveyed by Ontario Land Surveyor Ross in the year 1921 and which mile post is distant 24 miles east of the west boundary of the Territorial District of Thunder Bay; thence north $50^{\circ} 42' 38''$ east 14.2127 miles; thence north astronomically 2 miles; thence east astronomically 5 miles; thence north astronomically 29 miles to a point distant 44 miles measured north astronomically from the 4th Mile Post on the base line surveyed by Phillips and Benner, Ontario Land Surveyors, in the year 1922; thence east astronomically to a point distant 25 miles, measured west astronomically from the meridian line surveyed by Phillips and Benner, Ontario Land Surveyors, in the year 1920; thence north astronomically 17.9 miles, more or less, to the intersection with the southerly limit of the right of way of the Canadian National Railways; thence westerly along the said right-of-way limit 16.3 miles, more or less, to the intersection with the meridian line surveyed by Phillips and Benner, in the year 1923; thence north astronomically along the said meridian line, a distance of 36 miles; thence north 61° east 32 miles, more or less, to the intersection with latitude 51° north; thence easterly along the said latitude of 51° north, 80 miles, more or less, to the intersection with a line drawn north astronomically from the intersection of the 7th Base Line surveyed by Beatty and Beatty, Ontario Land Surveyors, in the year 1928 with the meridian line surveyed by Phillips and Benner, Ontario Land Surveyors, in the year 1916; thence north astronomically 210 miles, more or less, to the intersection with latitude 54° north; thence westerly along that latitude 230 miles, more or less, to the Interprovincial Boundary between Ontario and Manitoba; thence southwesterly and southerly along that boundary to the place of beginning.

(822)

26

THE MINIMUM WAGE ACT

O. Reg. 143/64.

Hotel and Restaurant Workers in Southern Ontario Zone.
Made—June 19th, 1964.
Filed—June 22nd, 1964.

**ORDER MADE UNDER
THE MINIMUM WAGE ACT**

1. Subsection 3 of section 2 of Ontario Regulation 98/64 is revoked and the following substituted therefor:

- (3) Subject to subsection 2, every employer shall pay a minimum hourly rate of wages of 80 cents to each of his employees employed in the hotel and restaurant business in the designated zone who is a student, other than a student who is required by his employer to work more than 28 hours in a week during the period from the 15th day of September to the 15th day of June, both inclusive, in the next following year.

2. Section 5 of Ontario Regulation 98/64 is amended,

- (a) by striking out "2" in the first line of subsection 1 and inserting in lieu thereof "3" and by inserting after "employer" in the sixth line of subsection 1 "or a student who is not required by his employer to work more than 28 hours in a week";

(b) by renumbering subsection 2 as 3; and

(c) by adding thereto the following subsection:

- (2) Subject to subsection 3, every employer may, during the first one-month period of employment of a student to whom subsection 3 of section 2 applies and who is employed by that employer as a learner, pay to that student a minimum hourly rate of wages of not more than 10 cents less than the minimum hourly rate of wages prescribed in subsection 3 of section 2.

INDUSTRY AND LABOUR BOARD:

E. G. GIBB,
Chairman.

J. F. NUTLAND,
Member.

H. G. PIERCY,
Member.

Dated this 19th day of June, 1964.

(823)

26

THE MINIMUM WAGE ACT

O. Reg. 144/64.

General in Northern Ontario Zone.
Made—June 19th, 1964.
Filed—June 22nd, 1964.

**ORDER MADE UNDER
THE MINIMUM WAGE ACT**

1. Subsection 1 of section 5 of Ontario Regulation 100/64 is amended by striking out "total" in the

fourth line and by inserting after "employees" in the fourth line "other than employees who are learners".

INDUSTRY AND LABOUR BOARD:

E. G. GIBB,
Chairman.

J. F. NUTLAND,
Member.

H. G. PIERCY,
Member.

Dated this 19th day of June, 1964.

(824)

26

THE MINIMUM WAGE ACT

O. Reg. 145/64.

General in Southern Ontario Zone.
Made—June 19th, 1964.
Filed—June 22nd, 1964.

**ORDER MADE UNDER
THE MINIMUM WAGE ACT**

1. Subsection 1 of section 5 of Ontario Regulation 97/64 is amended by striking out "total" in the fourth line and by inserting after "employees" in the fourth line "other than employees who are learners".

INDUSTRY AND LABOUR BOARD:

E. G. GIBB,
Chairman.

J. F. NUTLAND,
Member.

H. G. PIERCY,
Member.

Dated this 19th day of June, 1964.

(825)

26

THE MINIMUM WAGE ACT

O. Reg. 146/64.

General in Oshawa, Toronto, Hamilton Zone.
Made—June 19th, 1964.
Filed—June 22nd, 1964.

**ORDER MADE UNDER
THE MINIMUM WAGE ACT**

1. Section 6 of Ontario Regulation 133/63, as remade by section 5 of Ontario Regulation 95/64, is amended by striking out "total" in the fourth line and by inserting after "employees" in the fifth line "other than employees who are learners".

INDUSTRY AND LABOUR BOARD:

E. G. GIBB,
Chairman.

J. F. NUTLAND,
Member.

H. G. PIERCY,
Member.

Dated this 19th day of June, 1964.

(826)

26

THE MINIMUM WAGE ACT

O. Reg. 147/64.

Hotel and Restaurant Workers in Oshawa,
Toronto, Hamilton Zone.

Made—June 19th, 1964.

Filed—June 22nd, 1964.

ORDER MADE UNDER
THE MINIMUM WAGE ACT

1.—(1) Subsection 3 of section 2 of Ontario Regulation 135/63, as remade by section 2 of Ontario Regulation 96/64, is revoked and the following substituted therefor:

(3) Subject to subsection 2, every employer shall pay a minimum hourly rate of wages of 80 cents to each of his employees employed in the hotel and restaurant business in the designated zone who is a student, other than a student who is required by his employer to work more than 28 hours in a week during the period from the 15th day of September to the 15th day of June, both inclusive, in the next following year.

(3a) Subject to subsection 5, every employer may, during the first one month period of employment of a student to whom subsection 3 applies and who is employed by that employer as a learner, pay to that student a minimum hourly rate of wages of not more than 10 cents less than the minimum hourly rate of wages prescribed in subsection 3.

(2) Subsection 4 of the said section 2, as made by section 2 of Ontario Regulation 96/64, is amended by inserting after "employer" in the seventh line "or a student who is not required by his employer to work more than 28 hours in a week".

INDUSTRY AND LABOUR BOARD:

E. G. GIBB,
*Chairman.*J. F. NUTLAND,
*Member.*H. G. PIERCY,
Member.

Dated this 19th day of June, 1964.

(827)

26

THE MINIMUM WAGE ACT

O. Reg. 148/64.

Hotel and Restaurant Workers in Northern
Ontario Zone

Made—June 22nd, 1964.

Filed—June 22nd, 1964.

ORDER MADE UNDER
THE MINIMUM WAGE ACT

1. Subsection 5 of section 2 of Ontario Regulation 101/64 is revoked and the following substituted therefor:

(5) Subject to subsection 4, every employer shall pay to each employee employed in the hotel and restaurant business in the designated zone who is a student, other than a student who is required by his employer to work more than 28 hours in a week during the period from the 15th day of September to the 15th day of June, both inclusive, in the next following year, a minimum hourly rate of wages of 75 cents for work performed in the period from the 29th day of June, 1964, to the 26th day of December, 1965, and a minimum hourly rate of wages of 80 cents for work performed thereafter.

2. Section 5 of Ontario Regulation 101/64 is amended by:

(a) inserting at the beginning of the first line of subsection 1 "Subject to subsection 3" and by inserting after "employer" in the sixth line of subsection 1 "or a student who is not required by his employer to work more than 28 hours in a week";

(b) renumbering subsection 2 as 3; and

(c) adding thereto the following subsection:

(2) Subject to subsection 3, every employer may, during the first one-month period of employment of a student to whom subsection 5 of section 2 applies and who is employed by that employer as a learner, pay to that student a minimum hourly rate of wages of not more than 10 cents less than the minimum hourly rate of wages prescribed in subsection 5 of section 2.

INDUSTRY AND LABOUR BOARD:

E. G. GIBB,
*Chairman.*J. F. NUTLAND,
*Member.*H. G. PIERCY,
Member.

Dated this 22nd day of June, 1964.

(828)

26



Publications Under The Regulations Act

July 4th, 1964

THE INCOME TAX ACT, 1961-62

O. Reg. 149/64.

General.

Made—June 18th, 1964.

Filed—June 23rd, 1964.

REGULATION MADE UNDER THE INCOME TAX ACT, 1961-62

1. Section 3 of Ontario Regulation 77/62, as remade by section 1 of Ontario Regulation 58/63, is revoked and the following substituted therefor:

3.—(1) Except as otherwise provided in this Regulation, the amount to be deducted is 18/100 of the amount determined in accordance with Table 100 as set forth in Schedule A to the Federal Regulations, having regard to the amount of remuneration paid to the employee, the length of the pay period and the employee's exemptions.

(2) Where the amount of remuneration for the pay period is not provided for in Table 100, the amount to be deducted is 18/100 of the amount indicated in column 2, 3 or 4 of Table 100A as set forth in Schedule A to the Federal Regulations, having regard to the length of the pay period, the pay per year and the employee's exemptions.

2.—(1) Subsection 1 of section 4 of Ontario Regulation 77/62, as amended by subsection 1 of section 2 of Ontario Regulation 58/63, is further amended by striking out "17/100" in the fifth line and inserting in lieu thereof "18/100".

(2) Subsection 4 of the said section 4, as amended by subsection 2 of section 2 of Ontario Regulation 58/63, is further amended by striking out "17/100" in the fourth line and inserting in lieu thereof "18/100".

3. This Regulation is effective on and after the 1st day of January, 1964.

(846)

27

THE GASOLINE TAX ACT

O. Reg. 150/64.

General.

Made—June 18th, 1964.

Filed—June 23rd, 1964.

REGULATION MADE UNDER THE GASOLINE TAX ACT

1.—(1) Subsection 1 of section 5 of Regulation 206 of Revised Regulations of Ontario, 1960, as amended by subsection 1 of section 4 of Ontario Regulation 109/63, is further amended by striking out "13" in the second line and inserting in lieu thereof "15".

(2) Subsection 2 of the said section 5, as amended by subsection 2 of section 4 of Ontario Regulation 109/63, is further amended by striking out "11" in the second line and inserting in lieu thereof "13".

2. This Regulation applies to the purchase of gasoline on or after the 13th day of February, 1964, on which tax at the rate of 15 cents per imperial gallon has been paid.

(847)

27

THE HOSPITALS TAX ACT

O. Reg. 151/64.

Exemptions.

Made—June 18th, 1964.

Filed—June 23rd, 1964.

REGULATION MADE UNDER THE HOSPITALS TAX ACT

1. Section 2 of Regulation 240 of Revised Regulations of Ontario, 1960, as amended by section 1 of Ontario Regulation 76/62, is revoked.

(848)

27

THE GAME AND FISH ACT, 1961-62

O. Reg. 152/64.

Open Seasons—Fur-Bearing Animals.

Made—June 2nd, 1964.

Filed—June 23rd, 1964.

REGULATION MADE UNDER THE GAME AND FISH ACT, 1961-62

OPEN SEASONS—FUR-BEARING ANIMALS

Open Season for Fox

1. Fox may be hunted or trapped and the pelts thereof may be possessed in any part of Ontario from the 1st day of October, 1964 to the 30th day of September, 1965, both inclusive.

Open Season for Raccoon

2. Raccoon may be hunted or trapped and the pelts thereof may be possessed in any part of Ontario from the 1st day of October, 1964 to the 30th day of September, 1965, both inclusive.

3.—(1) Except as provided in subsection 2, Ontario Regulations 138/63, 255/63 and 344/63 are revoked.

(2) Sections 1 and 4 of Ontario Regulation 138/63, as amended by Ontario Regulation 344/63, are revoked as of the 1st day of October, 1964.

A. K. ROBERTS,
Minister of Lands and Forests

Toronto, June 2nd, 1964.

(849)

27

THE GAME AND FISH ACT, 1961-62

O. Reg. 153/64.

Open Seasons—Rabbit and Squirrel.

Made—June 2nd, 1964.

Filed—June 23rd, 1964.

REGULATION MADE UNDER
THE GAME AND FISH ACT, 1961-62

OPEN SEASONS—RABBIT AND SQUIRREL

Open Season for Rabbit

1. Rabbits may be hunted or trapped,

(a) in the townships of Clarke and Darlington in the County of Durham from the 3rd day of October, 1964 to the 28th day of February, 1965, both inclusive;

(b) in,

(i) the counties of Brant, Dufferin, Elgin, Haldimand, Halton, Middlesex, Norfolk, Oxford, Peel, Perth, Waterloo, Wellington and York,

(ii) the townships of East Whitby, Pickering, Reach, Scott, Uxbridge and Whitby in the County of Ontario,

(iii) the townships of Adjala, Essa, Innisfil, Tecumseth, Tosoronto and West Gwillimbury in the County of Simcoe,

(iv) the townships of Hay, Stephen and Osborne in the County of Huron, and

(v) the townships of Beverly, East Flamborough and West Flamborough in the County of Wentworth,

from the 21st day of October, 1964 to the 28th day of February, 1965, both inclusive;

(c) in,

(i) the County of Essex, except the Township of Pelee, and the counties of Lincoln and Welland,

(ii) the counties of Kent and Lambton, and

(iii) the townships of Ancaster, Barton, Binbrook, Glanford and Saltfleet in the County of Wentworth,

from the 28th day of October, 1964 to the 28th day of February, 1965;

(d) in the Township of Pelee in the County of Essex from the 24th day of December, 1964 to the 28th day of February, 1965;

(e) in,

(i) the counties of Bruce, Carleton, Dundas, Durham, except in the townships of Clarke and Darlington in the County of Durham, Frontenac, Gengarry, Grenville, Grey, Hastings, Huron, except in the townships of Hay, Stephen and Osborne in the County of Huron, Lanark, Leeds, Lennox and Addington, Northumberland, Peterborough, Prescott, Prince Edward, Russell, Stormont and Victoria,

(ii) the townships of Flos, Matchedash, Medonte, Nottawasaga, Orillia, Oro, Sunnidale, Tay, Tiny and Vespra in the County of Simcoe, and

(iii) the townships of Brock, Mara, Thorah and Rama in the County of Ontario,

from the 9th day of September, 1964 to the 31st day of March, 1965; and

(f) in any part of Ontario, except the areas described in clauses *a*, *b*, *c*, *d* and *e*, from the 1st day of September, 1964 to the 31st day of August, 1965.

2. No person shall hunt more than six cottontail rabbits in one day.

Open Season for Squirrel

3.—(1) Black, grey or fox squirrel may be hunted or trapped,

(a) in the County of Essex from the 28th day of October to the 15th day of December, both inclusive, in the year 1964;

(b) in the counties of Brant, Bruce, Dufferin, Elgin, Grey, Haldimand, Halton, Huron, Kent, Lambton, Lincoln, Middlesex, Norfolk, Oxford, Perth, Waterloo, Welland, Wellington and Wentworth from the 3rd day of October to the 15th day of December, both inclusive, in the year 1964; and

(c) in any part of Ontario, except the areas described in clauses *a* and *b*, from the 26th day of September to the 15th day of December, both inclusive, in the year 1964.

(2) No person shall hunt more than an aggregate number of ten squirrels in a day, or possess more than an aggregate number of ten squirrels at one time.

A. K. ROBERTS,
Minister of Lands and Forests

Toronto, June 2nd, 1964.

(850)

27

THE GENERAL WELFARE ASSISTANCE ACT

O. Reg. 154/64.

Dependent Fathers.

Made—June 18th, 1964.

Filed—June 24th, 1964.

REGULATION MADE UNDER
THE GENERAL WELFARE ASSISTANCE
ACT

1. Section 2 of Ontario Regulation 22/63 is amended by adding thereto the following subsection:

(3) Where a child,

(a) is a beneficiary under this Regulation;

(b) is attending an educational institution other than a secondary school; and

(c) attains the age of eighteen years while in such attendance,

the child shall be deemed to be a dependent child for the purposes of this Regulation until the end of the school year in which he attains the age of eighteen years.

2.—(1) Clause *c* of subsection 1 of section 4 of Ontario Regulation 22/63 is amended by striking out "six" in the second line and inserting in lieu thereof "three".

(2) Clause *e* of subsection 1 of the said section 4 is revoked and the following substituted therefor:

- (e) his wife is imprisoned in a penal institution and, at the date of application for assistance, has a term of imprisonment remaining to be served of six months or more; and

(866)

27

THE HIGHWAY IMPROVEMENT ACT

O. Reg. 155/64.
 Designations—Toronto to Woodstock
 (Hwy. 403).
 Made—June 18th, 1964.
 Filed—June 24th, 1964.

**REGULATION MADE UNDER
 THE HIGHWAY IMPROVEMENT ACT**

1. Schedule 7 to Ontario Regulation 286/62 is revoked and the following substituted therefor:

Schedule 7

In that part of the Town of Burlington in the County of Halton, formerly in the Township of East Flamborough in the County of Wentworth being,

- (a) part of lots 1 to 12, both inclusive, Concession 1;
- (b) part of lots,
 - (i) 1, 2 and 3, and
 - (ii) 73 to 77, both inclusive,
 registered plan 701;
- (c) part of Hidden Valley Drive, registered plan 701; and
- (d) part of the road allowance between lots 7 and 8, Concession 1,

and being that portion of the King's Highway shown outlined on Department of Highways plan P-2792-53, filed in the office of the Registrar of Regulations at Toronto as No. 339.

3.34 miles, more or less.

(867)

27

THE REGISTRY ACT

O. Reg. 156/64.
 Surveys, Plans and Descriptions of Land.
 Made—June 25th, 1964.
 Filed—June 26th, 1964.

**REGULATION MADE UNDER
 THE REGISTRY ACT**

**SURVEYS, PLANS AND DESCRIPTIONS
 OF LAND**

INTERPRETATION

1. In this Regulation,

- (a) "expropriation plan" means a plan to which subsection 1 of section 4 of *The Expropriation Procedures Act, 1962-63* applies;
- (b) "hanging line" means an unclosed traverse in the form of a branch emanating from a main traverse or triangulation;
- (c) "lot" means a lot or any other area of land defined and designated by an original survey or by a registered plan;
- (d) "original survey" means an original survey as defined by *The Surveys Act*;
- (e) "registered plan" means an expropriation plan or a plan of subdivision, judge's plan, or other plan by which lots are created and which is registered under *The Registry Act*;
- (f) "subdivision unit" means any area of land delineated by a survey and includes,
 - (i) a township lot, city lot, town lot or village lot, section block, gore, reserve, common, mining location and mining claim, or
 - (ii) a lot, block, part or other surveyed unit of land shown on a plan registered or deposited under *The Land Titles Act* or registered under *The Registry Act*.

GENERAL

2. This Regulation applies to every instrument executed after this Regulation comes into force.

3. This Regulation does not apply,

- (a) to a plan under the *Navigable Waters Protection Act (Canada)*;
- (b) to a plan under subsection 2 of section 6 of *The Highway Improvement Act*; or
- (c) to a deed or conveyance given by the Director, the *Veterans' Land Act (Canada)* where the instrument by which the Director acquired title was registered before the 1st day of July, 1964.

4. The registrar, having regard to the circumstances, may register an instrument that does not comply strictly with the requirements of sections 5, 6, 9, 10, 11, 12, 13, 14, 15, 16, 23, 25, 26, 29, 30, 34 or 42.

PART I

DESCRIPTIONS OF LAND

5. A description of land in an instrument tendered for registration,

- (a) shall mention every lot affected by the instrument and shall,
 - (i) where the lot is according to an original survey, mention the concession, tract, range, section or other designation in accordance with the original grant from the Crown, and
 - (ii) where the lot is according to a registered plan, mention the registration number of the plan;
- (b) except for an instrument referred to in section 7, shall be in writing;
- (c) except for an instrument referred to in section 6 or 7, and subject to section 8, shall be by metes and bounds and,

- (i) where bearings in degrees are included in the description, the origin of the bearings shall be stated in the description,
 - (ii) where the description includes a course along a curved boundary, the arc length, radius and chord length and chord bearing shall be included in the description,
 - (iii) where the description is of part of a lot the description shall refer to at least one of the corners of the lot of which it is a part, and shall give the distance from that corner to an angle of the part being described,
 - (iv) shall not substitute contractions or abbreviations for words, and
 - (v) shall not substitute symbols for "foot", "feet", "inch", "inches" or other linear measurement;
- (d) shall not describe land by exception unless,
- (i) the same land has been described by exception in an instrument registered before the 1st day of July, 1964,
 - (ii) the land excepted is surrounded by the land described in the instrument,
 - (iii) the land excepted is a designated part in an expropriation plan, or
 - (iv) the land excepted is the whole of the land shown on a registered plan;
- (e) shall not describe land solely by reference to the registration number of a registered instrument unless the registered instrument is a registered plan; and
- (f) shall not define distances by measurements other than feet and decimals of a foot or feet and inches.

6. Where an instrument tendered for registration affects,

- (a) the whole of a lot according to an original survey, the description in the instrument shall be of the lot and the concession, tract, range, section or other designation in accordance with the original grant from the Crown;
- (b) the whole of a lot according to a registered plan, the description in the instrument shall be of the lot and the registration number of the plan;
- (c) an aliquot part of a lot according to an original survey, the description in the instrument may be of the aliquot part if it was so described in the grant from the Crown or in a registered instrument;
- (d) half of a lot according to a registered plan, the description in the instrument may be of that half if it was so described in a registered instrument;
- (e) land shown as a part on an expropriation plan which has not been altered by a subsequent plan or by an instrument affecting an abandonment, the description in the instrument shall refer to the registration number of the expropriation plan and to the number of the part;

- (f) a block resulting from a subdivision for abstract purposes under section 88 of the Act or a predecessor of that section, the description in the instrument shall refer to that block.

7. An instrument tendered for registration may describe land by reference to a plan made by a surveyor of which a paper or linen copy is attached to the instrument,

- (a) if the dimensions of the plan do not exceed,
 - (i) 8 inches by 27 inches, or
 - (ii) 16 inches by 13 inches;
- (b) if the original plan or a copy of the plan made on translucent linen or other material approved by the Inspector is in the custody of the registrar when the instrument is tendered for registration; and
- (c) if the plan is not a plan of subdivision.

8. Where an instrument tendered for registration is,

- (a) a certificate of payment of succession duties under subsection 7 of section 58 of the Act in respect of any lands forming part of the estate of a deceased person, the description in the instrument may substitute contractions or abbreviations for words;
- (b) a claim for lien under *The Mechanics' Lien Act* or an assignment, discharge, vacating order or certificate of action in respect thereof or a notice of conditional sale contract under *The Conditional Sales Act*, or a renewal, assignment or discharge thereof, the description in the instrument may describe the land affected by the instrument by reference to the registration number of a previously registered instrument containing a description in accordance with this Part of the same land;
- (c) a notice of tax arrears, or similar notice under *The Assessment Act*, *The Department of Municipal Affairs Act*, *The Mining Act* or *The Provincial Land Tax Act, 1961-62*, the description in the instrument,
 - (i) may substitute contractions or abbreviations for words, or
 - (ii) may describe the land affected by the instrument by reference to the registration number of a previously registered instrument containing a description in accordance with this Part of the same land; or
- (d) is a deed or other conveyance given by an executor or trustee under a will, an administrator or other personal representative of a deceased person, the description in the deed or conveyance may be the same as the description in the instrument by which the deceased person acquired title.

PART II

SURVEYS AND PLANS

9. Where a surveyor makes a survey and plan of land to which the Act applies, he shall make the survey and plan in accordance with this Regulation and *The Surveys Act* and the regulations made thereunder.

10. Before undertaking a survey, the surveyor shall refer to all documentary evidence related to the land under survey and the land adjoining the land under survey.

11.—(1) Where a monument no longer exists, all evidence concerning its original position shall be considered in the re-establishment thereof.

(2) Where a monument is placed on an existing boundary, the monument shall be placed on the boundary at a point which shall be established from evidence of the boundary line on both sides of the monument so placed.

12. The requirements of all statutes and regulations that affect the boundaries of the land shown on a plan shall be ascertained and complied with before the plan is presented for registration.

STANDARDS OF SURVEY

13.—(1) All boundaries of the land being surveyed shall be measured directly or shall be determined by closed traverse or triangulation.

(2) Hanging lines shall be verified by two independent measurements of angle and distance.

14.—(1) The error of closure in respect of the perimeter of each subdivision unit shall not exceed,

- (a) for the first 100 feet of perimeter, an error of 0.10 feet;
- (b) for the next 1000 feet of perimeter, an error of 0.02 feet per 100;
- (c) for each succeeding 100 feet of perimeter up to a total perimeter of 1900 feet, an error of 0.01 feet; and
- (d) for a total perimeter of more than 1900 feet an error of 1 in 5000.

(2) Subsection 1 applies to hanging lines.

15. The position of a natural boundary that forms a boundary of the land being surveyed or that governs the position of that boundary shall be determined by,

- (a) periodic offsets at such intervals as the complexity of the natural boundary demands and to such extent as will enable relocation of the natural boundary, said offset measurements to be of not greater length than 250 feet and at not greater intervals than 200 feet along a controlled traverse;
- (b) stadia measurements of no more than 1000 feet in length from stations on a controlled traverse, to such points on the natural boundary as are necessary to determine all its irregularities and to enable its relocation, such points to be of not greater intervals than 200 feet along the natural boundary; or
- (c) controlled photogrammetric methods.

16. Bearings shall be astronomic.

PLANS

17.—(1) An original plan,

- (a) shall be drawn on the dull side of durable linen that is not waterproof, or on other translucent material approved by the Inspector, and that is of such quality that opaque or translucent reproductions may be made by either a wet or dry process without damaging the plan;
- (b) shall be drawn and executed in black india ink only and shall show no colouring of any kind whatsoever;

(c) shall be drawn to a professional standard of draughtsmanship and be neat and clear and in fit condition for making legible reproductions.

(2) The only handwriting to appear on the plan shall be the signatures of those persons required to sign the plan, and under each signature shall be legibly printed the name of the person signing.

(3) Where a plan is a plan of public lands under the jurisdiction of the Minister of Lands and Forests or of the Minister of Mines, a reproducible linen duplicate of the plan may be registered in lieu thereof.

18.—(1) No part of a plan or of any certificate, approval or other matter required thereon shall be stamped, typewritten, lithographed or engraved, but the title, legend, form of the surveyor's certificate or margin may be printed, if it is machine printed with metallic overprint ink.

(2) Subsection 1 does not apply to the surveyor's seal or to the consent of the Minister of Municipal Affairs under *The Planning Act*.

19. A plan shall be drawn to a scale or scales sufficient for clarity of all particulars of the plan.

20. All linear measurements on a plan shall be shown either in feet and decimals of a foot or in feet and inches.

21. Directions shall be shown on the plan in quadrantal bearings referred to the cardinal points.

22.—(1) The origin of the bearings shall be stated on the plan in note form.

(2) Bearings may be derived from a line of known astronomic bearing if survey evidence of such line exists on the ground in its original position and is shown on the plan.

(3) Where bearings have been determined by the surveyor by astronomic observations, a note shall be shown on the plan as follows:

Bearings are astronomic, derived from observations on (polaris).....(sun) and referred to the meridian.....

23. There shall be shown on a plan clearly and accurately,

- (a) by light lines of consistent weight which may be broken, sufficient information to enable the identification of the limits of pre-existing subdivision limits or limits defined by,
 - (i) registered instruments affecting land included within the land surveyed, and
 - (ii) instruments registered under the Act or under *The Land Titles Act* and affecting land adjoining the land being surveyed; and
- (b) the identifying numbers, letters or words of the land in clause a.

24.—(1) Subject to subsection 2, the limits of subdivision units created by a plan and the identifying numbers, letters or words shall be shown on the plan by solid lines of a consistent weight and heavier than the lines referred to in section 23.

(2) The outer limits of the area of land dealt with on a plan shall be shown by lines heavier than the lines of survey or delineation either within or outside the area.

25.—(1) A plan shall show the position and form of all survey monuments and other evidence found, conflicting or otherwise.

(2) Every monument and all other evidence found shall be distinguished by the abbreviation "Fd" together with any surveyor's registration number found on the monument.

26.—(1) The measurements of distances and directions obtained by the surveyor in the course of a survey on the ground shall be reduced to true measurements and shall be shown on the plan.

(2) Where a measurement of distance or direction differs from that shown,

(a) on a registered plan; or

(b) in a registered deed or other registered conveyance,

the measurement shall be followed by the abbreviation "Meas." and the corresponding measurement on the registered plan, or in the registered conveyance shall be noted followed by "Plan (No.)....." or "Deed (No.)....." or as the case may be.

27. Sufficient data shall be shown on the plan to permit the calculation of a closure of each subdivision unit created by the plan.

28.—(1) A plan shall be certified by a surveyor in Form 1.

(2) Every plan shall contain a true copy of the field notes of the survey.

29.—(1) A plan shall show,

(a) the bearing and length of each straight line forming any surveyed limit or part of any surveyed limit, except that, in the case of a tier of lots that is shown by dimensions to be a series of parallelograms, the direction of each of the side lines of the lots may be indicated by the bearings at both ends of the tier;

(b) the radius, arc length, chord length and chord bearing of each curved line forming any surveyed limit or part of any surveyed limit;

(c) the perpendicular or radial widths of all streets, lanes and public passages of which the limits are parallel or concentric;

(d) the straight line distances and bearings between the points of street intersections on the same side of the street and, where all or part of an intersection is on a curve, the radius, arc length, chord length and chord bearing of the curved portion; and

(e) the location of the radial centre of an arc that forms the end of a cul-de-sac, clearly defined with reference to the street or streets approaching the cul-de-sac.

(2) Where the arc of a simple curve joins a line that is not tangent to the curve, the junction of curve shall be shown as "not tangential".

(3) Where space does not permit the showing of the chord length and chord bearing in their normal position in respect of a curve, they may be shown in schedule form in some convenient place on the plan.

30.—(1) There shall be shown on a plan all highways, roads, streets, lanes, railway lands, rivers, canals, streams, lakes, ponds and marshes lying within or abutting upon the surveyed land.

(2) Natural boundaries shall be accurately plotted on a plan.

(3) Where a plan shows traverse lines from which natural boundaries were surveyed, complete particulars shall be shown on the plan, including,

(a) bearings, distances and lengths of offsets and the angles that they make with the respective traverse lines;

(b) bearings and distances of stadia measurements;

(c) information relevant to any other method by which a natural boundary is determined; and

(d) information relating to the boundaries and ties with other surveys and land boundaries.

(4) The particulars required by subsection 3 shall be shown along the appropriate course on the plan or in a schedule if they are identified and related to the appropriate course on the plan.

31.—(1) Every subdivision unit into which an area of land is subdivided shall be designated on the plan by a number or letter or by words.

(2) Designation by numbers or letters shall be in consecutive order.

(3) Not more than one subdivision unit shall be designated on the plan by the same number, letter or words.

(4) A subdivision unit on a plan shall not be designated as a "parcel".

32. Subject to section 33, a plan other than an expropriation plan shall not contain information describing the purpose for which any portion of the land on the plan is intended to be used.

33. Highways, roads, streets, lanes, commons and reserves shall be so designated on the plan.

34. An easement or other right of way existing at the time of the survey shall be shown on the plan.

35. Every plan other than an expropriation plan shall,

(a) bear a title showing the designation of every subdivision unit the whole or a portion of which is included within the area of survey shown on the plan; and

(b) shall show under the title the scale to which the plan is drawn and the year in which the survey was completed.

36. A simple north point accurately plotted shall be placed in a conspicuous position on each plan.

PLANS OF SUBDIVISION

37. A plan of subdivision shall be twenty-four inches in width by thirty inches in length, including a margin one-half of an inch in width.

38.—(1) An owner's certificate in Form 2 shall be endorsed on every plan of subdivision.

(2) Except where the owner is a corporation, the execution of the owner's certificate shall be verified by the affidavit of a subscribing witness in Form 3.

39.—(1) The consent of a mortgagee, if any, in Form 4 shall be endorsed on every plan of subdivision.

(2) Except where the mortgagee is a corporation, the execution of the mortgagee's consent shall be verified by the affidavit of a subscribing witness in Form 5.

40. An affidavit as to the age of every man or woman executing a plan of subdivision shall be in Form 6 and endorsed on the plan.

41.—(1) Where an owner or a mortgagee is a corporation, the owner's certificate or mortgagee's consent shall be signed by the proper officers of the corporation, and the official capacity of each officer shall be printed below his signature.

(2) The corporate seal of each corporate owner or mortgagee shall be embossed near the signature of the proper officers.

42. A certificate of registration in Form 7 for completion by the registrar shall be included on a plan of subdivision by the surveyor.

43.—(1) At the time of registration of a plan of subdivision there shall be delivered to the registrar together with the original plan a mounted duplicate and an unmounted duplicate of the plan and the registrar shall,

- (a) endorse the particulars of registration of the plan on the mounted duplicate and on the unmounted duplicate;
- (b) retain the mounted duplicate in his custody; and
- (c) deliver the unmounted duplicate to the clerk of the municipality in which the land subdivided by the plan is situated.

(2) A mounted duplicate plan shall be a mechanically reproduced copy of the plan and shall be on opaque white linen, or on other material approved by the Inspector, and mounted with reinforced corners on a backing of stiff pasteboard of good quality, or other backing approved by the Inspector, and shall be twenty-four inches in width by thirty inches in length.

(3) An unmounted duplicate plan shall be a mechanically reproduced copy of the plan and shall be on transparent linen or other material approved by the Inspector.

44. A mounted duplicate plan may be coloured to distinguish new subdivision units by shading or outlining,

- (a) lots or blocks in pink;
- (b) land dedicated as public highways in light brown; and
- (c) reserves in light green,

if the colouring is executed so as not to obliterate underlying details.

PLANS TO ILLUSTRATE DESCRIPTIONS

45.—(1) The dimensions of an illustration attached to an instrument under section 86a of the Act shall not exceed,

- (a) 8 inches by 27 inches; or
- (b) 16 inches by 13 inches.

(2) Section 4 and sections 9 to 36 apply to a plan or a print of a plan under clause a of section 86a of the Act.

(3) This Regulation, other than subsection 1 of this section, does not apply to a sketch under clause b of section 86a of the Act.

46. This Regulation does not apply to a plan under *The Expropriation Procedures Act, 1962-63*.

47. This Regulation comes into force on the 1st day of July, 1964.

Form 1

The Registry Act

SURVEYOR'S CERTIFICATE

I HEREBY CERTIFY THAT:

1. This survey and plan are correct and in accordance with *The Surveys Act* and *The Registry Act* and the regulations made thereunder.

2. The survey was completed on the.....day of....., 19.....

..... (date) (signature)

..... (name in print)

Ontario Land Surveyor

Form 2

The Registry Act

OWNER'S CERTIFICATE

1. This is to certify that:

Lots.....to.....both inclusive,

Blocks.....to.....both inclusive, the

streets, namely.....

street widenings, lanes and reserves or as the case may be as designated within the area of survey outlined have been laid out in accordance with (my) (our) instructions.

2. The streets and street widenings and lanes are hereby dedicated as public highways.

Dated the....day of....., 19....

..... (witness) (signature)

..... (name in print)

Form 3

The Registry Act

AFFIDAVIT OF WITNESS TO OWNER'S CERTIFICATE

I,of the.....of..... in the.....of.....make oath and say that:

1. I was personally present and did see the owner's certificate on this plan signed by

.....

- 2. The said certificate was signed by the said party at.....
- 3. I know the said party.
- 4. I am a subscribing witness to the signing of the said certificate.

Sworn before me
 at the.....
 of.....
 this..... (signature)
 day of.....
 19.....
 A Commissioner, etc.

Form 4

The Registry Act

CONSENT OF MORTGAGEE

The mortgagee(s) under mortgage registered as No....., hereby consent to the registration of this plan.

Dated the..... day of....., 19.....
 (witness) (signature of mortgagee)
 (name in print)

Form 5

The Registry Act

AFFIDAVIT OF WITNESS TO MORTGAGEE'S CONSENT

I, of the..... of.....
 in the..... of..... make oath and say:

- 1. That I was personally present and did see the Mortgagee's consent on this plan signed by.....
- 2. That the said consent was signed by the said party at.....
- 3. That I know the said party.
- 4. That I am a subscribing witness to the signing of the said consent.

Sworn before me
 at the.....
 of.....
 this..... (signature)
 day of.....
 19.....
 A Commissioner, etc.

Form 6

The Registry Act

AFFIDAVIT AS TO AGE

I, (or we), make oath
 (name of owner, mortgagee, etc.)
 and say that at the time of execution of this plan I was (or we were or that each of the owners was) of the full age of twenty-one years.

Sworn before me
 at the.....
 of.....
 this..... (signature)
 day of.....
 19.....
 A Commissioner, etc.

Form 7

The Registry Act

CERTIFICATE OF REGISTRATION OF PLAN OF SUBDIVISION

I certify that this plan is duly registered in the Registry Office for the Registry Division of.....
 at..... o'clock..... of
 the..... day of....., 19..... as
 Number.....

.....
 Registrar
 or Deputy Registrar

(869)

27

THE REGISTRY ACT

O. Reg. 157/64.
 Forms and Records.
 Made—June 25th, 1964.
 Filed—June 26th, 1964.

REGULATION MADE UNDER THE REGISTRY ACT

FORMS AND RECORDS

- 1. An abstract furnished under subsection 1 of section 17 of the Act shall be in Form 1.
- 2.—(1) A copy furnished under subsection 1 of section 19 of the Act shall be certified in Form 2.
 (2) The certificate shall be attached securely to or endorsed on the copy.
 (3) The copy may be wholly or partially hand written, printed, typed or prepared by a photographic, electrostatic or ammonia process.
- 3. The alphabetical index mentioned in subsection 4 of section 20 shall be in Form 3.

4. The pages of the by-law index mentioned in subsection 5 of section 20 of the Act shall be in Form 4 and a separate series of pages shall be kept for each municipality in the registry division.

5.—(1) Where the Inspector has directed under subsection 7 of section 20 of the Act that an alphabetical index of wills be kept, the index shall be in Form 5.

(2) In addition to wills, every grant by a surrogate court shall be recorded in the index referred to in subsection 1.

6. The Abstract Index mentioned in subsection 1 of section 29 of the Act shall be in Form 6.

7.—(1) The alphabetical index of names mentioned in section 30 of the Act shall be in Form 7.

(2) Instruments by which title is conveyed or passed, other than mortgages, shall be indexed under the names of the grantees.

8. A declaration under section 33 of the Act shall be in Form 8.

9. An affidavit of a subscribing witness mentioned in section 34 of the Act shall be in Form 9.

10. An affidavit of execution where the instrument is a security under section 35 of the Act shall be in Form 10.

11. A certificate of a judge under section 40 or under subsection 1 of section 49 of the Act shall be in Form 11.

12. A registrar's certificate of the registration of an instrument mentioned in section 50, subsection 1 of section 55 or subsection 3 of section 64 of the Act shall be in Form 12.

13.—(1) A certificate of discharge of mortgage mentioned in subsection 1 of section 65 of the Act shall be in Form 13.

(2) Not more than one mortgage shall be discharged by a certificate of discharge in Form 13.

14. A certificate of discharge of mortgage by a sheriff or other officer mentioned in subsection 2 of section 71 of the Act shall be in Form 14.

15. A certificate of discharge of an instrument creating a charge mentioned in section 72 of the Act shall be in Form 15.

16. An affidavit where an instrument does not conform and refer to a plan as mentioned in subsection 1 of section 90 of the Act shall be in Form 16.

17. A requisition under section 129 of the Act shall be in Form 17.

18.—(1) The deposit index under subsection 1 of section 130 of the Act shall be dispensed with in every registry division.

(2) The alphabetical deposit index under subsection 2 of section 130 of the Act shall be in Form 18.

19.—(1) The dimensions of an instrument executed on or after the 1st day of July, 1965, other than a plan of survey, shall not be less than eight inches by 13½ inches and the instrument shall be written on one side of paper of good quality, but the outside page which when folded becomes the cover may have writing on both sides.

(2) Subsection 1 does not apply to a deed of trust and mortgage or any supplemental indenture or to a municipal by-law that is prepared in book form.

20. The use of the repealed Forms 1 to 15 of *The Registry Act* and Form 1 of *The Custody of Documents Act* after the 1st day of July, 1964 and before the 1st day of July, 1965 shall be deemed to be compliance with the requirements of this Regulation in regard to corresponding forms under this Regulation.

21. This Regulation comes into force on the 1st day of July, 1964.

Form 1

The Registry Act

ABSTRACT UNDER SUBSECTION 1 OF SECTION 17 OF THE ACT

Registry Office for the Registry Division of

I certify that the entries in this abstract are correct extracts from registered instruments that appear in the abstract index for (that part of) Lot No. Concession (or Plan)..... (Municipality) (described etc.) and that this abstract was prepared in accordance with the request therefor.

(where applicable add: which request stated that.....)

Registration Number	Instrument	Date of Instrument	Registration Date	Grantor	Grantee	Consideration	Land and Remarks

Dated at.....this.....day of....., 19.... ato'clockm.

.....
(signature of Registrar or Deputy and seal of office)

Form 2

The Registry Act

CERTIFIED COPY UNDER SUBSECTION 1 OF SECTION 19 OF THE ACT

Certified to be a true copy of an instrument registered or document deposited under No. in the Registry Office for the Registry Division of:.....

Dated at..... this day of, 19....

.....
(signature of Registrar or Deputy and seal of office)

Form 3

The Registry Act

ALPHABETICAL INDEX UNDER SUBSECTION 4 OF SECTION 20 OF THE ACT

Number	Date of registration	Instrument	Grantor	Grantee

Form 4

The Registry Act

BY-LAW INDEX UNDER SUBSECTION 5 OF SECTION 20 OF THE ACT

Municipality.....

REGISTRATION		BY-LAW		Particulars
Number	Date	Number	Date	

Form 5

The Registry Act

ALPHABETICAL INDEX OF WILLS, PROBATES, ETC., UNDER SUBSECTION 7 OF SECTION 20 OF THE ACT

Name of Deceased	Number	Date of Registration

Form 6

The Registry Act

ABSTRACT INDEX UNDER SUBSECTION 1 OF SECTION 29 OF THE ACT

Municipality....., Lot No..... Concession (or Plan).....

Registration No.	Instrument	Date of Instrument	Registration Date	Grantor	Grantee	Con- sideration, etc.	Land and Remarks

Form 7

The Registry Act

ALPHABETICAL INDEX OF NAMES UNDER SECTION 30 OF THE ACT

No. of Instrument	Nature of Instrument	Grantee	Grantor

Form 8

The Registry Act

DECLARATION UNDER SECTION 33 OF THE ACT

County (or District) of } I, (name) of the.....of....., (occupation), do solemnly
To Wit: } declare that,

1. I am a party (or as the case may be) to an instrument affecting land that does not contain a local description (here identify the instrument):
2. The instrument affects the land hereinafter described (here give a local description of the land):

And I make this solemn declaration, conscientiously believing it to be true, and knowing that it is of the same force and effect as if made under oath.

Declared before me
at the.....of.....
this.....day of....., 19....
A Commissioner, etc.

Form 9

The Registry Act

AFFIDAVIT OF SUBSCRIBING WITNESS UNDER SUBSECTION 1 OF SECTION 34 OF THE ACT

County (or District) of } I (name) of the..... of..... (occupation) make oath and
To Wit: } say:

1. That I was personally present and did see the annexed (or within) instrument (and a duplicate, if any, according to the fact) duly signed, sealed and executed by.....(one of) the parties thereto.
2. That the instrument (and duplicate, if any, according to the fact) was (or were) executed by the said party (parties) at the.....of.....

3. That I know the said party (parties).....

4. That I am a subscribing witness to the instrument (and duplicate, if any, according to the fact).

Sworn before me
at the.....of.....
this.....day of....., 19....
A Commissioner, etc.

Form 10

The Registry Act

AFFIDAVIT OF EXECUTION WHERE THE INSTRUMENT IS A SECURITY UNDER SECTION 35 OF THE ACT

County (or District) of } I, (name) of the.....of.....(occupation), make oath
To Wit: } and say:

- 1. That I was personally present and did see the annexed (or within) instrument (and a duplicate, if any, according to the fact), duly signed, sealed and executed by.....(one of the parties) thereto.
2. That the instrument was read over in my presence and explained to the said party (parties) and thatappeared perfectly to understand the same, and was informed that it might be registered as an encumbrance on.....land.
3. That the instrument (and duplicate, if any, according to the fact), was (or were) executed by the said party (parties) at the.....of.....
4. That I know the said party (parties).....
5. That I am a subscribing witness to the instrument (and duplicate, if any, according to the fact).

Sworn before me
at the.....of.....
this.....day of....., 19....
A Commissioner, etc.

Form 11

The Registry Act

CERTIFICATE OF A JUDGE UNDER SECTION 40 OR UNDER SUBSECTION 1 OF SECTION 49 OF THE ACT

County (or District) of } I,, Judge of the County (or District) Court of the County
To Wit: } (or District) of.....certify that, from the proof adduced by (name of the person producing the proof), I am satisfied of the due execution of the within instrument.

As witness my hand at.....the.....day of....., 19....

Judge

Form 12

The Registry Act

CERTIFICATE OF REGISTRATION UNDER SECTION 50 OR SUBSECTION 1 OF SECTION 55 OR SUBSECTION 3 OF SECTION 64 OF THE ACT

I certify that the within instrument is registered in the Registry Office for the Registry Division of.....
at.....o'clock.....of the.....day of....., 19...., Number.....

Registrar
or Deputy Registrar

Form 13

The Registry Act

CERTIFICATE OF DISCHARGE OF MORTGAGE UNDER SUBSECTION 1 OF SECTION 65 OF THE ACT

To the Registrar of the Registry Division of.....

I,.....of....., do certify that.....has satisfied all money due on, or to grow due on (or has satisfied the sum of \$..... mentioned in), a certain mortgage made by.....of.....to.....which mortgage bears date the.....day of....., 19....., and was registered in the Registry Office for the Registry Division of..... on the.....day of....., 19....., at.....minutes past.....o'clock,.....noon as No..... (here mention the date and the date of registration of each assignment thereof, and the names of the parties, or mention that such mortgage has not been assigned, according to the fact), and that I am the person entitled by law to receive the money, and that such mortgage (or such sum of money as aforesaid or such part of the land as is herein particularly described, that is to say:.....) is therefore discharged.

Witness my hand this.....day of....., 19.....

Witness }

Form 14

The Registry Act

CERTIFICATE OF DISCHARGE OF MORTGAGE BY SHERIFF OR OTHER OFFICER UNDER SUBSECTION 2 OF SECTION 71 OF THE ACT

To the Registrar of the Registry Division of.....

I, A. B., of....., Sheriff of the County (or District) of..... or Bailiff of the (number) Division Court of the County (or District.....) do certify that by virtue of an execution wherein C. D. is plaintiff and E. F. defendant, issued out of the Supreme Court (or as the case may be) and to me directed, I seized a certain mortgage made by one J. H. of (as described in the mortgage) bearing date the..... day of....., 19....., and registered at..... of the clock in the..... noon, of the..... day of..... as No..... to E. F., of..... (as described in the mortgage), the defendant in the execution named, and such mortgage has not been assigned (or has been assigned to the defendant: here set out date and date of registration of assignment) notice of which seizure was registered as No..... and I do further certify that I have received from the mortgagor, (or from the executors, administrators, or assigns of the mortgagor, as the case may be), the full amount of the mortgage (or \$..... part of the mortgage money), and that such mortgage is therefore discharged (or that such mortgage is as to \$..... part of the money thereby payable, discharged).

As witness my hand and seal of office (or the seal of the said Court) this.....day of....., 19.....

A. B.

Witness }

Form 15

The Registry Act

CERTIFICATE OF DISCHARGE OF INSTRUMENT CREATING A CHARGE UNDER SECTION 72 OF THE ACT

To the Registrar of the Registry Division of.....

County (or District) of } I, (name) of the..... of..... (occupation), do hereby certify
To Wit: } that..... of the..... of.....
in the County (or District) of..... (occupation)....., has satisfied all money due
or to grow due on (or has satisfied the sum of \$..... mentioned in) a certain instrument made by.....
of..... to....., which instrument bears date the..... day of....., 19.....,
and was registered in the Registry Office for the Registry Division of..... on the..... day of.....,
19....., at..... minutes past..... o'clock..... noon, as No.....

(here mention the date and the date of registration of each assignment thereof, and the names of the parties, or mention that such instrument has not been assigned, according to the fact), and that I am the person entitled by law to receive the money, and that such instrument (or such sum of money as aforesaid, or such part of the land as is herein particularly described, that is to say:.....) is therefore discharged.

Witness my hand this..... day of....., 19.....

Witness }

Form 16

The Registry Act

AFFIDAVIT WHERE INSTRUMENT DOES NOT CONFORM TO PLAN UNDER SECTION 90 OF THE ACT

County (or District) of } I (name) of the..... of..... (occupation), make oath and
To Wit: } say:

- 1. To the best of my knowledge and belief, the land described in the within (or annexed) instrument is designated on Registered Plan No..... as lots (describe same so as to conform to plan).
2. That....., a party to the instrument, died on or about the..... day of....., 19..... (or as the case may be)..... or.....
3. That it is impossible (or inconvenient) to obtain a new instrument or a re-execution of the instrument containing a description conforming to the plan for the following reasons (here set out the facts).
4. That I have a personal knowledge of the matters herein deposed to.

Sworn before me
at the..... of.....
this..... day of....., 19.....
A Commissioner, etc.

Form 17

The Registry Act

REQUISITION UNDER SECTION 129 OF THE ACT

To the Registrar of the Registry Division of

I, of hereby deposit with and require you to take into your custody, pursuant to Part II of *The Registry Act* the following documents, viz.:

Description of Documents	Names of All Parties	Any other particulars or subject of certificate, affidavit, etc.	Lands in this Registry Division to which documents relate

Dated

Signature

Address

Occupation

The documents above-mentioned with a duplicate of the above requisition were this day received by me.

Dated

.....
Registrar for Registry Division of
.....

Form 18

The Registry Act

ALPHABETICAL DEPOSIT INDEX UNDER SUBSECTION 2 OF SECTION 130 OF THE ACT

Deposit No.	Date of Deposit	Description of Document	Parties

THE REGISTRY ACT

O. Reg. 158/64.
 Microfilming of Registry Records.
 Made—June 25th, 1964.
 Filed—June 26th, 1964.

**REGULATION MADE UNDER
 THE REGISTRY ACT**

MICROFILMING OF REGISTRY RECORDS

1.—(1) Subject to subsection 6, every instrument registered in a registry office in which a system of recording instruments on microfilm has been established shall be recorded in full on microfilm.

(2) Instruments shall be recorded in the order of their registration numbers.

(3) The pages of an instrument shall be recorded in their proper order.

(4) The first image on every roll of microfilm shall include the identifying number of the roll and the registration number of the first instrument photographed.

(5) The final image on every roll of microfilm shall include the identifying number of the roll and the registration number of the last instrument photographed.

(6) Subsection 1 does not apply to,

- (a) a registered plan; or
- (b) a plan of survey attached to an instrument, where the plan exceeds,
 - (i) 8 inches by 27 inches, or
 - (ii) 16 inches by 13 inches.

2. The registrar shall obtain a positive film copy of every microfilm on which an instrument registered in his office after the 1st day of January, 1963 has been recorded.

3.—(1) When a developed microfilm and the film copy required by section 2 are returned to the registrar from the processor, the registrar shall cause them to be examined for errors, omissions, faulty exposure or development and other defects.

(2) When the microfilm and the copy have been examined for defects the registrar shall mark the reels containing the microfilm and the copy in such a way as to identify them and shall complete two labels in Form 1 and affix the labels to the containers in which the microfilm and the copy are to be kept.

(3) Where the photographic image of an instrument is found to be defective on a microfilm, the instrument shall be re-photographed.

(4) Where the photographic image of an instrument is found to be defective on a film copy but is not defective on the microfilm, the registrar shall obtain a new copy.

(5) A note shall be added to the labels required by subsection 2 to indicate the registration number of,

- (a) every instrument of which the image was found to be defective or missing and a reference to the number of the roll where such missing or defective instrument may be found; and
- (b) every re-photographed instrument and every instrument that was omitted from a previous roll and that is included in this roll.

4. The containers in which microfilms and film copies are kept shall be stored in fire-proof metal cabinets.

5.—(1) The registrar shall cause every microfilm and film copy in his custody to be examined periodically for deterioration of the film or images in accordance with the recommendations of the processor, or as directed by the Inspector.

(2) The dates and particulars of the examinations shall be noted on the containers in which the microfilm and film copy are stored.

(3) Where, upon examination, a microfilm or a film copy is found to have deteriorated, the registrar shall cause such remedial measures to be taken as are recommended by the processor, or as directed by the Inspector.

6. The registrar of a registry division referred to in column 1 of the Schedule shall cause the microfilms of instruments registered in his office to be stored in the registry office for the registry division set opposite thereto in column 2 and the registrar for the latter registry division shall keep the microfilms in his custody.

7. This Regulation applies to documents deposited under *The Custody of Documents Act* after the 1st day of January, 1963 and to documents deposited under Part II of *The Registry Act* after the 1st, day of July, 1964.

8. The requirements of this Regulation may, with the approval of the Inspector, be varied to apply to special circumstances.

Form 1

The Registry Act

LABEL

Registry Division.....

Roll No.....

Document No.....

to

Document No.....

Examined by.....on the.....day

of....., 19.....

I certify that the enclosed film is a true and complete microfilm copy of all documents within the series of numbers noted above, except for defects and omissions noted below, and of the additional documents noted below.

..... Date Registrar

Additional documents Nos.

Defects and Omissions document Nos.
included on Roll No.....

Schedule	COLUMN 2
COLUMN 1	Registry Division
Registry Division	
1. The District of Algoma	1. The District of Sudbury
2. The County of Brant	2. The County of Hastings
3. The County of Bruce	3. The City of London
4. The County of Carleton	4. The County of Halton
5. The District of Cochrane	5. The District of Nipissing
6. The County of Dufferin	6. The County of Grenville
7. The County of Dundas	7. The County of Wentworth
8. The County of Durham (East Riding)	8. The County of Glengarry
9. The County of Durham (West Riding)	9. The County of Wentworth
10. The County of Elgin	10. The County of Oxford
11. The County of Essex	11. The County of Waterloo
12. Fort William	12. The District of Parry Sound
13. Kingston and Frontenac	13. The County of Peterborough
14. The County of Glengarry	14. The County of Northumberland (West Riding)
15. The County of Grenville	15. The County of Dufferin
16. The County of Grey (North Riding)	16. The County of Leeds
17. The County of Grey (South Riding)	17. The County of Haldimand
18. The County of Haldimand	18. The County of Grey (South Riding)
19. The Provisional County of Haliburton	19. The County of Stormont
20. The County of Halton	20. The County of Carleton
21. The County of Hastings	21. The County of Brant
22. The County of Huron	22. The County of Wentworth
23. The District of Kenora	23. Fort William
24. The County of Kent	24. The County of York (North Riding)
25. The County of Lambton	25. The County of Lincoln
26. The County of Lanark (North Riding)	26. The County of Dundas
27. The County of Lanark (South Riding)	27. The County of Northumberland (East Riding)
28. The County of Leeds	28. The County of Grey (North Riding)
29. The County of Lennox and Addington	29. The County of Northumberland (West Riding)
30. The County of Lincoln	30. The County of Lambton
31. The City of London	31. The District of Sudbury
32. The District of Manitoulin	32. The District of Rainy River
33. The County of Middlesex (East and North Ridings)	33. The District of Sudbury
34. The County of Middlesex (West Riding)	34. The County of Wentworth
35. The District of Muskoka	35. Port Arthur
36. The District of Nipissing	36. The District of Cochrane
37. The County of Norfolk	37. The County of Bruce
38. The County of Northumberland (East Riding)	38. The County of Lanark (South Riding)
39. The County of Northumberland (West Riding)	39. The County of Lennox and Addington
40. The County of Ontario	40. The County of Peel
41. The City of Ottawa	41. The County of Simcoe
42. The County of Oxford	42. The County of Elgin
43. The District of Parry Sound	43. The District of Kenora
44. The County of Peel	44. The County of Ontario
45. The County of Perth	45. The County of Victoria
46. The County of Peterborough	46. Kingston and Frontenac
47. Port Arthur	47. The District of Muskoka
48. The County of Prescott	48. The County of Lanark (North Riding)
49. The County of Prince Edward	49. The County of Wentworth
50. The District of Rainy River	50. The District of Kenora
51. The County of Renfrew	51. The County of Wellington
52. The County of Russell	(South and Centre Ridings)
53. The County of Simcoe	52. The County of Durham (West Riding)
54. The County of Stormont	53. The City of Ottawa
55. The District of Sudbury	54. The Provisional County of Haliburton
56. The District of Timiskaming	55. The County of Welland
57. Toronto	56. Fort William
58. The County of Victoria	57. Port Arthur
59. The County of Waterloo	58. The County of Perth
60. The County of Welland	59. The County of Essex
61. The County of Wellington (North Riding)	60. The City of London
62. The County of Wellington	61. The County of Prince Edward
(South and Centre Ridings)	62. The County of Renfrew
63. The County of Wentworth	63. The District of Parry Sound
64. The County of York (East and West Ridings)	64. The District of Algoma
65. The County of York (North Riding)	65. The District of Nipissing
	(871)

THE REGISTRY ACT

O. Reg. 159/64.

Fees.

Made—June 25th, 1964.

Filed—June 26th, 1964.

REGULATION MADE UNDER THE REGISTRY ACT

1. Item 16 of the Schedule to Ontario Regulation 49/64 is amended by striking out "*The Custody of Documents Act*" in the eighth and ninth lines and inserting in lieu thereof "Part II of the Act".

2. Item 23 of the Schedule to Ontario Regulation 49/64 is amended by inserting after "plan" in the second line "or a deposit".

3.—(1) Sub-item 1 of item 24 of the Schedule to Ontario Regulation 49/64 is amended by inserting after "instruments" in the second line "or deposits".

(2) Sub-item 2 of the said item 24 is amended by striking out "a registered instrument" in the second and third lines and inserting in lieu thereof "an instrument or deposit".

4. The Schedule to Ontario Regulation 49/64 is amended by adding thereto the following items:

General certificate 27. For registration of a general certificate referred to in subsection 7 of succession duty section 58 of the Act. \$1.00

Tax sale notice 28. For registration of a notice of sale under subsection 3 of section 182 of *The Assessment Act*. 1.00

Redemption receipt 29. For registration of a certified copy of a receipt of redemption under subsection 7 of section 182 of *The Assessment Act*.50

Certificate of tax deed 30. For registration of a certificate under section 187 of *The Assessment Act*.70

Treasurer's declaration 31. For registration of a statutory declaration under subsection 5 of section 47 of *The Department of Municipal Affairs Act*. 1.00

Tax arrears certificate 32.—(1) For registration of a tax arrears certificate under section 47 of *The Department of Municipal Affairs Act*. 2.00

(2) Where the certificate affects vacant land, for each parcel in excess of the first.10

Redemption certificate 33.—(1) For registration of a redemption certificate under section 49 or a vacating certificate under section 52 of *The Department of Municipal Affairs Act*.50

(2) Where the certificate affects more parcels than one, for each parcel in excess of the first.05

Municipal searches 34. Where a search is made for a municipal corporation for the purposes mentioned in section 47 of *The Department of Municipal Affairs Act*, 5 cents for each parcel searched, but in no case more than \$5 for a search in respect of the lands described in any one certificate.

List of names 35. For furnishing to a municipal corporation for the purposes mentioned in section 47 of *The Department of Municipal Affairs Act* a list in writing of the name and, if recorded, the address of every person appearing by the records of the registry office to have an interest in the land described in a tax arrears certificate, 50 cents for each parcel embraced in the certificate.

Orders 36.—(1) For registration of an order under the Act or subsection 1 of section 18 of *The Dower Act*. \$ 3.00

(2) Where the order is endorsed on the instrument to which the order refers. no fee

Inspector's directions 37. For registration of a direction of the Inspector under the Act. no fee

Deposits 38.—(1) For receipt of a requisition and deposit of all documents therein mentioned, including indexing in the deposit index and alphabetical deposit index, copying the documents and signing the receipt on the duplicate requisition. 3.00

Abstract entries (2) Where the requisition refers to specific land, for each parcel in respect of which entry is made in the abstract index.10

Searching deposit index 39. For a search of the deposit index and alphabetical index.50

5. This Regulation comes into force on the 1st day of July, 1964.

(872) 27

THE LAND TITLES ACT

O. Reg. 160/64.

Rules.

Made—June 25th, 1964.

Filed—June 26th, 1964.

REGULATION MADE UNDER THE LAND TITLES ACT

1. Item 11*d* of Schedule 1 to Regulation 403 of Revised Regulations of Ontario, 1960, as made by subsection 2 of section 1 of Ontario Regulation 47/64, is revoked and the following substituted therefor:

11*d*. For registration of a notice of sale under subsection 3 of section 182 of *The Assessment Act*. \$1.00

11*e*. For registration of a certified copy of a receipt of redemption under subsection 7 of section 182 of *The Assessment Act*.50

11*f*. For registration of a certificate under section 187 of *The Assessment Act*.70

11*g*. For registration of a statutory declaration under subsection 5 of section 47 of *The Department of Municipal Affairs Act*. 1.00

11h.—(1) For registration of a tax arrears certificate under section 47 of *The Department of Municipal Affairs Act*.. \$ 2.00

(2) Where the certificate affects,

(a) vacant land, for each parcel in excess of the first..... .10

(b) improved land, for each parcel in excess of the first..... .50

11i.—(1) For registration of a redemption certificate under section 49 or a vacating certificate under section 52 of *The Department of Municipal Affairs Act*.. .50

(2) Where the certificate affects more parcels than one, for each parcel in excess of the first..... .05

11j. Where a search is made for a municipal corporation for the purposes mentioned in section 47 of *The Department of Municipal Affairs Act*, 5 cents for each parcel searched, but in no case more than \$5 for a search in respect of the lands described in any one certificate.

11k. For furnishing to a municipal corporation for the purposes mentioned in section 47 of *The Department of Municipal Affairs Act* a list in writing of the name and, if recorded, the address of every person appearing by the records of the land titles office to have an interest in the land described in a tax

arrears certificate, 50 cents for each parcel embraced in the certificate.

11l.—(1) For registration of an order under subsection 1 of section 18 of *The Dower Act*..... \$ 3.00

(2) Where the order is endorsed on the instrument to which the order refers.. no fee

11m. For registration of a direction of the director of titles under the Act..... no fee

11n. For registering an instrument under Part XIV of *The Mining Act* or a caution under *The Provincial Land Tax Act, 1961-62*..... 1.00

11o.—(1) Subject to sub-item 2, where an instrument referred to in item 11, 11a, 11b, 11c, 11d, 11e, 11f, 11g, 11m or 11n mentions more parcels than one, for each parcel mentioned after the first.. .50

(2) Where an instrument referred to in item 11, 11a, 11b, 11c, 11d, 11e, 11f, 11g, 11m or 11n mentions more parcels than 100, for each parcel mentioned after the hundredth..... .10

2. This Regulation comes into force on the 1st day of July, 1964.

(873)

27

Publications Under The Regulations Act

July 11th, 1964

THE PROVINCIAL PARKS ACT

O. Reg. 161/64.

Designation of Parks.
Made—June 25th, 1964.
Filed—June 29th, 1964.

REGULATION MADE UNDER THE PROVINCIAL PARKS ACT

1. Schedule 34 of Appendix B to Regulation 498 of Revised Regulations of Ontario, 1960 is revoked and the following substituted therefor:

Schedule 34

DARLINGTON PROVINCIAL PARK

Beginning at a point in the water's edge of Lake Ontario, in Lot 31, Broken Front Concession, Township of Darlington, County of Durham, and which point is located as follows:

Starting at the northwesterly corner of said Lot 31; thence north $73^{\circ} 14'$ east along the northerly limit of said Lot 31, a distance of 663.8 feet; thence south $17^{\circ} 10' 40''$ east 920.34 feet; thence south $17^{\circ} 28' 30''$ east 2566.5 feet to a survey post planted; thence continuing south $17^{\circ} 28' 30''$ east 280.0 feet to the point of beginning; thence south $17^{\circ} 28' 30''$ east 600.0 feet; thence westerly in a straight line to a point in the southerly production of the westerly limit of Lot 35, Broken Front Concession, distant 3455.0 feet measured south $16^{\circ} 58' 30''$ east along the said westerly limit of Lot 35 and its southerly production from the northwesterly corner thereof; thence north $16^{\circ} 58' 30''$ west along the said southerly production 3405.0 feet, more or less, to a point in the water's edge of Lake Ontario; thence in a general southeasterly, westerly, southerly and southeasterly direction following the said water's edge to the point of beginning.

2. Schedule 52 of Appendix B to Regulation 498 of Revised Regulations of Ontario, 1960, as made by section 3 of Ontario Regulation 117/63, is revoked and the following substituted therefor:

Schedule 52

RIDEAU RIVER PROVINCIAL PARK

In the Township of Marlborough, in the County of Carleton, described as follows:

Beginning at the intersection of the easterly limit of Lot 1, in the Broken Front Concession of the said township with the southerly limit of the right of way of the King's Highway known as No. 16 as shown on Department of Highways Plan P-1589; thence southerly along the easterly limit of said Lot 1 and its southerly production to the intersection with the water's edge along the northerly shore of the Rideau River and Rideau Canal; thence in a westerly direction following the said water's edge to the intersection with the southerly production of the westerly limit of Lot 3, in the Broken Front Concession of the said township; thence northerly along that production and the westerly limit of said Lot 3 to the intersection with the southerly limit of the right of way of the King's Highway known as No. 16 as shown on Department of Highways Plan P-1589-1; thence in a northeasterly direction following the said highway limit on the following bearings and distances according to Department of Highways plans P-1589-1, P-1589 and P-1589-5;

northeasterly along a curve to the right having a radius of 1382.7 feet, an arc distance of 504.1 feet, the chord equivalent being 501.3 feet measured north $39^{\circ} 03'$ east; north $45^{\circ} 28' 30''$ east 100.2 feet; north $49^{\circ} 29'$ east 603.57 feet; north $49^{\circ} 29'$ east 1271.63 feet; north $49^{\circ} 29'$ east 628.35 feet; south $40^{\circ} 31'$ east 17.0 feet; north $49^{\circ} 29'$ east 326.16 feet; north $49^{\circ} 29'$ east 87.01 feet; south $85^{\circ} 26'$ east 70.81 feet; north $40^{\circ} 41'$ west 67.0 feet; north $49^{\circ} 29'$ east 66.0 feet; south $40^{\circ} 41'$ east 67.0 feet; north $4^{\circ} 24'$ east 70.61 feet; north $49^{\circ} 29'$ east 746.63 feet; north $49^{\circ} 29'$ east 44.0 feet; north $40^{\circ} 31'$ west 17.0 feet; north $49^{\circ} 29'$ east 313.66 feet; north $60^{\circ} 33'$ east 589.94 feet, more or less, to the point of beginning.

3. Appendix B to Regulation 498 of Revised Regulations of Ontario, 1960, as amended by Ontario Regulations 117/63, 206/63 and 110/64, is further amended by adding thereto the following schedules:

Schedule 54

EARL ROWE PROVINCIAL PARK

In the Township of Tosorontio, in the County of Simcoe, described as follows:

Premising that the bearings hereinafter mentioned are astronomical and are referred to the northerly limit of the King's Highway known as No. 89 across Lot 1, in Concession VII, in the said township, having a bearing of north $71^{\circ} 07' 30''$ east as shown on Department of Highways Plan P-1837-3.

1. Part of lots 2 and 5 and lots 3 and 4, in Concession VI, described as follows:

Beginning at the northeasterly corner of Lot 5; thence south $73^{\circ} 06'$ west along the northerly limit of said Lot 5, a distance of 2217.50 feet to the intersection with the line between the east half and the west half of said Lot 5; thence south $11^{\circ} 00' 40''$ east along the said line between the east half and the west half as fenced 1966.0 feet to the northeasterly corner of the west half of Lot 4; thence south $72^{\circ} 59' 20''$ west along the northerly limit of the west half of said Lot 4, a distance of 2201.64 feet to the northwesterly corner of the west half of said Lot 4; thence south $10^{\circ} 38' 20''$ east along the westerly limit of the west half of said Lot 4, a distance of 2026.46 feet to the southwest corner thereof; thence south $10^{\circ} 49' 30''$ east along the westerly limit of the west half of Lot 3, a distance of 1970.08 feet to the northwesterly corner of the west half of Lot 2; thence north $72^{\circ} 50'$ east along the northerly limit of the west half of Lot 2, a distance of 115.5 feet; thence south $10^{\circ} 32'$ east 189.75 feet; thence south $72^{\circ} 50'$ west 115.5 feet to the intersection with the westerly limit of the west half of Lot 2; thence south $10^{\circ} 32'$ east along the said westerly limit 197.40 feet to the southerly limit of the right of way of a road having a perpendicular width of 33 feet; thence north $88^{\circ} 28' 20''$ east along the said southerly limit 1195.10 feet; thence north $83^{\circ} 46' 40''$ east along the said southerly limit 184.98 feet; thence north $69^{\circ} 39' 40''$ east along the said southerly limit 540.05 feet; thence south $85^{\circ} 01' 30''$ east continuing along the said southerly limit 302.86 feet to the intersection with the line between the east half and the west half of said Lot 2; thence south $10^{\circ} 38'$ east along the said line between the east half and the west half, 1133.50 feet to the southwest corner of the east half of said Lot 2; thence north $73^{\circ} 31'$ east along the southerly limit of the east half of said Lot 2 being along a post and wire fence, 1105.80 feet; thence north $73^{\circ} 26'$ east continuing along the said southerly limit 1081.90 feet

to the southeasterly corner of the east half of said Lot 2; thence northerly along the easterly limit of lots 2, 3, 4 and 5, to the point of beginning.

2. Part of the east half and the west half of Lot 2, in Concession VII, described as follows:

Beginning at the northwesterly corner of the west half of said Lot 2; thence north $71^{\circ} 36'$ east along the northerly limit of the west half of said Lot 2 being along a post and wire fence 2376.14 feet to the northeasterly limit of an abandoned right of way of the Canadian National Railways; thence south $56^{\circ} 24' 30''$ east 1390.52 feet along the said limit of the right of way; thence north $33^{\circ} 35' 30''$ east 7.0 feet; thence south $56^{\circ} 24' 30''$ east along the said northeasterly limit of the abandoned right of way 870 feet to the intersection with the top of the bank on the northerly shore of the Boyne River; thence westerly along the said top of the bank of the Boyne River to the intersection with the line between the east half and west half of Lot 2, Concession VII; thence southerly along that line to the intersection with the southerly limit of the west half of said Lot 2 marked by a post and wire fence; thence south $71^{\circ} 09' 30''$ west along the said southerly limit, 2303.0 feet to the southwest corner of said Lot 2; thence north $10^{\circ} 41' 30''$ west along the westerly limit of said Lot 2, a distance of 1983.0 feet to the point of beginning.

Schedule 55

MIKISEW PROVINCIAL PARK

In the geographic Township of Machar, in the Territorial District of Parry Sound, containing an area of 98.67 acres, more or less, and described as follows:

Premising that the bearings hereinafter mentioned are astronomical and are referred to the meridian through the northwesterly corner of Lot 30, Concession IV, in the geographic Township of Machar.

Beginning at the northwesterly corner of Lot 29, Concession IV; thence north $69^{\circ} 08'$ east along the northerly limit of that lot, 588.04 feet, more or less, to the intersection with the westerly limit of Merripark Drive according to a plan filed in the Office of Land Titles for the District of Parry Sound as M-88; thence south $14^{\circ} 29'$ west along the westerly limit of Merripark Drive and its production southerly a distance of 471.75 feet; thence south $75^{\circ} 09'$ east 406.9 feet, more or less, to the water's edge on the westerly shore of Machar Lake; thence in a general southerly and westerly direction following that water's edge to the intersection with the production southerly of the westerly limit of Lot 30, Concession IV; thence northerly along that production and the westerly limit of that lot to the northwesterly corner thereof; thence north $21^{\circ} 31'$ west 66.0 feet to the southwest corner of Lot 30, Concession V; thence north $21^{\circ} 31'$ west along the westerly limit of that lot, 160.0 feet; thence north $69^{\circ} 08'$ east parallel to the southerly limit of that lot, 1160.0 feet; thence south $21^{\circ} 31'$ east 160.0 feet to the southerly limit of that lot; thence north $69^{\circ} 08'$ east along the southerly limit of Lot 30, Concession V, a distance of 160.75 feet to the southeasterly corner of that lot; thence south $20^{\circ} 51' 40''$ east, 66.0 feet, more or less, to the point of beginning.

(876)

28

THE PROVINCIAL LAND TAX ACT, 1961-62

O. Reg. 162/64.

General.

Made—June 25th, 1964.

Filed—June 29th, 1964.

REGULATION MADE UNDER THE PROVINCIAL LAND TAX ACT, 1961-62

1. Form 1 of Ontario Regulation 343/62, as made by Ontario Regulation 233/63, is amended by inserting after "be" in the twenty-sixth line "liable to be".

(877)

28

THE HIGHWAY TRAFFIC ACT

O. Reg. 163/64.

Speed Limits.

Made—June 25th, 1964.

Filed—June 29th, 1964.

REGULATION MADE UNDER THE HIGHWAY TRAFFIC ACT

1.—(1) Paragraph 22 of Part 3 of Schedule 1 to Regulation 232 of Revised Regulations of Ontario, 1960 is revoked and the following substituted therefor:

22. That part of the King's Highway known as No. 2 in the Township of Sidney in the County of Hastings lying between a point situate 700 feet measured westerly from its intersection with the line between lots 7 and 8 in Broken Front Concession and a point situate 200 feet measured easterly from its intersection with the centre line of the roadway known as No. 6 Repair Depot Road.

(2) Paragraphs 11, 13, 15 and 18 of Part 4 of the said Schedule 1 are revoked and the following substituted therefor:

11. That part of the King's Highway known as No. 2 in the Township of Sidney in the County of Hastings lying between a point situate 200 feet measured easterly from its intersection with the centre line of the roadway known as No. 6 Repair Depot Road and a point situate 1270 feet measured westerly from its intersection with the line between lots 2 and 3 in Broken Front Concession.

13. That part of the King's Highway known as No. 2 in the Township of Sidney in the County of Hastings lying between a point situate at its intersection with the line between lots 34 and 35 in Broken Front Concession and a point situate at its intersection with the line between lots 33 and 34 in the said Broken Front Concession.

15. That part of the King's Highway known as No. 2 in the Township of Kingston in the County of Frontenac lying between a point situate 200 feet measured easterly from its intersection with the line between lots 13 and 14 in Concession 2 and a point situate 420 feet measured easterly

from its intersection with the line between lots 7 and 8 in the said Concession 2.

18. That part of the King's Highway known as No. 2 in the Township of Augusta in the County of Grenville lying between a point situate 300 feet measured easterly from its intersection with the line between lots 8 and 9 in Concession 1 and a point situate 500 feet measured westerly from its intersection with the centre line of the roadway known as Sophia Street in the Town of Prescott.

(3) Paragraph 6 of Part 5 of the said Schedule 1 is revoked.

2.—(1) Part 2 of Schedule 2 to Regulation 232 of Revised Regulations of Ontario, 1960, as amended by subsection 1 of section 2 of Ontario Regulation 128/62, is further amended by adding thereto the following paragraph:

9. That part of the King's Highway known as No. 3 in the County of Elgin lying between a point situate 150 feet measured westerly from its intersection with the line between lots 6 and 7 in concessions 6 and 7 in the Township of Malahide and a point situate 100 feet measured easterly from its intersection with the centre line of the roadway known as Centennial Road in the Township of Yarmouth.

(2) Part 3 of the said Schedule 2, as amended by Ontario Regulations 184/61, 330/61 and 128/62, is further amended by adding thereto the following paragraph:

6. That part of the King's Highway known as No. 3 in the Township of Malahide in the County of Elgin lying between a point situate 100 feet measured westerly from its intersection with the centre line of the roadway known as Park Street in the Town of Aylmer and a point situate 150 feet measured westerly from its intersection with the line between lots 6 and 7 in concessions 6 and 7.

3. Regulation 232 of Revised Regulations of Ontario, 1960 is amended by adding thereto the following Schedule:

HIGHWAY NO. 634

Schedule 66e

PART 1

(Reserved)

PART 2

(Reserved)

PART 2a

(Reserved)

PART 3

1. That part of the King's Highway known as No. 634 in the Township of Blezard in the District of Sudbury lying between a point situate at its intersection with the westerly limit of the King's Highway known as No. 69 and a point situate 200 feet measured westerly from its intersection with the westerly limit of the roadway known as Marie Street.

District of Sudbury—
Twp. of Blezard

PART 4

1. Those parts of the King's Highway known as No. 634 in the Township of Blezard in the District of Sudbury described as follows:

(a) commencing at a point situate 1000 feet measured easterly from its intersection with the roadway known as Martin Street in the locality of Blezard Valley and extending westerly therealong for a distance of 2000 feet more or less.

(b) commencing at a point situate 2600 feet measured westerly from its intersection with the roadway known as Martin Street in the locality of Blezard Valley and extending westerly therealong for a distance of 2100 feet more or less.

PART 5

(Reserved)

PART 6

1. That part of the King's Highway known as No. 634 in the Township of Blezard in the District of Sudbury commencing at a point situate 1000 feet measured westerly from its intersection with the roadway known as Martin Street in the locality of Blezard Valley and extending westerly therealong for a distance of 1600 feet more or less.

District of Sudbury
Twp. of Blezard

(878)

28

THE PUBLIC HOSPITALS ACT

O. Reg. 164/64.

Classification of Hospitals.

Made—June 25th, 1964.

Filed—June 29th, 1964.

REGULATION MADE UNDER THE PUBLIC HOSPITALS ACT

1. The Schedule to Ontario Regulation 110/63, as amended by Ontario Regulations 193/63, 302/63 and 59/64, is further amended by,

(a) striking out item 18 under the heading "Group C Hospitals"; and

(b) adding thereto the following item under the heading "Group B Hospitals":

12a. Collingwood The Collingwood General and Marine Hospital

(879)

28

THE HOSPITAL SERVICES COMMISSION ACT

O. Reg. 165/64.

General.

Made—May 27th, 1964.

Approved—June 25th, 1964.

Filed—June 29th, 1964.

REGULATION MADE UNDER THE HOSPITAL SERVICES COMMISSION ACT

1. Subclauses ii and iii of clause m of subsection 3 of section 1 of Regulation 238 of Revised Regulations

of Ontario, 1960, as made by section 1 of Ontario Regulation 26/62, are revoked and the following substituted therefor:

- (ii) any of the services mentioned in subclause i provided by a hospital on follow-up visits necessary to conclude the emergency treatment of a fracture where the treatment was started under subclause i within twenty-four hours after an accident,
- (iii) any of the services mentioned in subclause i provided by a hospital on follow-up visits necessary to conclude the treatment of a fracture where the treatment was started by admission of the patient as an in-patient,
- (iv) the hospital services that ordinarily would be performed for an in-patient in the administering of those therapeutic procedures of medicine and surgery for the provision of which a hospital has adequate out-patient facilities that are authorized by the board of directors of that hospital on the advice of its medical staff for the performance of such services,
- (v) the use of radiotherapy facilities, where available, for the treatment of cancer,
- (vi) the use of occupational therapy and physiotherapy facilities, where available, when prescribed by a physician, and
- (vii) the use of speech therapy facilities, where available, for the treatment of an organic illness or injury, when prescribed by a physician.

2. Section 22 of Regulation 238 of Revised Regulations of Ontario, 1960 is revoked.

3. Part II of Schedule 4 to Regulation 238 of Revised Regulations of Ontario, 1960, as remade by section 2 of Ontario Regulation 301/63 and amended by section 1 of Ontario Regulation 108/64, is further amended by adding thereto the following items:

2a.	Bowmanville	Bowmanville Memorial Hospital
10a.	Collingwood	The Collingwood General and Marine Hospital
11a.	Dryden	Dryden District General Hospital
23a.	Ingersoll	Alexandra Hospital
48a.	Shelburne	Shelburne District Hospital

HOSPITAL SERVICES COMMISSION
OF ONTARIO:

J. B. NEILSON,
Chairman

B. L. P. BROUSSEAU,
Commissioner

Dated at Toronto, this 27th day of May, 1964.

THE HIGHWAY TRAFFIC ACT

O. Reg. 166/64.
Speed Limits.
Made—June 30th, 1964.
Filed—July 2nd, 1964.

**REGULATION MADE UNDER
THE HIGHWAY TRAFFIC ACT**

1.—(1) Part 3 of Schedule 7 to Regulation 232 of Revised Regulations of Ontario, 1960 is amended by adding thereto the following paragraph:

Peel—
Twp. of
Toronto

3. That part of the King's Highway known as No. 5 in the Township of Toronto in the County of Peel lying between a point situate 3300 feet measured easterly from its intersection with the centre line of the King's Highway known as No. 10 and a point situate at its intersection with the centre line of the structure over Etobicoke Creek.

(2) Paragraphs 3 and 4 of Part 4 of the said Schedule 7 are revoked.

(3) Paragraph 5 of Part 4 of the said Schedule 7 is revoked and the following substituted therefor:

Peel—
Twp. of
Toronto

5. That part of the King's Highway known as No. 5 in the Township of Toronto in the County of Peel lying between a point situate 900 feet measured easterly from its intersection with the centre line of the roadway known as Mississauga Road and a point situate 100 feet measured westerly from its intersection with the centre line of the roadway known as Old Carriage Road.

(4) Paragraph 1 of Part 5 of the said Schedule 7 is revoked and the following substituted therefor:

Peel—
Twp. of
Toronto

1. That part of the King's Highway known as No. 5 in the Township of Toronto in the County of Peel commencing at a point situate 3300 feet measured easterly from its intersection with the centre line of the King's Highway known as No. 10 and extending westerly therealong for a distance of 6000 feet more or less.

2. Part 4 of Schedule 10 to Regulation 232 of Revised Regulations of Ontario, 1960, as amended by subsection 2 of section 1 of Ontario Regulation 338/63, is further amended by adding thereto the following paragraph:

Waterloo—
Twp. of
Waterloo

Town of
Preston

10. That part of the King's Highway known as No. 8 in the Township of Waterloo in the County of Waterloo lying between a point situate 1175 feet measured westerly from its intersection with the centre line of the roadway known as Fountain Street in the Town of Preston and a point situate 355 feet measured westerly from its intersection with the line between lots 10 and 13 in Broken Front Concession east of the Grand River, Richard Beasley's Lower Block.

3.—(1) Part 4 of Schedule 12 to Regulation 232 of Revised Regulations of Ontario, 1960, as amended by section 1 of Ontario Regulation 310/61, is further amended by adding thereto the following paragraph:

Peel—
Twp. of
Toronto

3. That part of the King's Highway known as No. 10 in the Township of Toronto in the County of Peel lying between a point situate 100 feet measured northerly from its intersection with the centre line

of the roadway known as Inglewood Drive and a point situate 500 feet measured southerly from its intersection with the centre line of the King's Highway known as No. 5.

(2) Paragraph 1 of Part 5 of the said Schedule 12 is revoked.

(3) Paragraph 1 of Part 6 of the said Schedule 12 is revoked and the following substituted therefor:

1. That part of the King's Highway known as No. 10 in the Township of Toronto in the County of Peel lying between a point situate at its intersection with the Canadian National Railways right of way and a point situate 100 feet measured northerly from its intersection with the centre line of the roadway known as Inglewood Drive.

4.—(1) Part 2 of Schedule 24a to Regulation 232 of Revised Regulations of Ontario, 1960, as made by section 15 of Ontario Regulation 184/61, is revoked and the following substituted therefor:

PART 2

1. That part of the King's Highway known as No. 21 in the Township of Howard in the County of Kent lying between a point situate 1750 feet measured northerly from its intersection with the northerly limit of the King's Highway known as No. 3 and a point situate 50 feet measured southerly from its intersection with the southerly limit of the road allowance between concessions 10 and 11.

2. That part of the King's Highway known as No. 21 in the Township of Howard in the County of Kent lying between a point situate 1900 feet measured northerly from its intersection with the centre line of the roadway known as Lynn Street in the Town of Ridgeway and a point situate 300 feet measured southerly from its intersection with the line between the townships of Howard and Camden.

3. That part of the King's Highway known as No. 21 in the County of Kent lying between a point situate 75 feet measured northerly from its intersection with the centre line of the road allowance between concessions A and B in the Township of Camden and a point situate 1000 feet measured easterly from its intersection with the easterly limit of the roadway known as County Road No. 29 in the Gore of the said Township of Camden.

4. That part of the King's Highway known as No. 21 lying between a point situate 800 feet measured northerly from its intersection with the centre line of the King's Highway known as No. 78 in the Gore of the Township of Camden in the County of Kent and a point situate 1000 feet measured southerly from its intersection with the centre line of the road allowance between concessions 2 and 3 in the Township of Enniskillen in the County of Lambton.

5. That part of the King's Highway known as No. 21 in the Township of Enniskillen in the County of Lambton lying between a point situate 1200 feet measured northerly from its intersection with the centre line of the road allowance between concessions 2 and 3 and a point situate 925 feet measured southerly from its inter-

section with the centre line of the roadway known as County Road No. 4 in the Town of Petrolia.

6. That part of the King's Highway known as No. 21 in the County of Lambton lying between a point situate 700 feet measured northerly from its intersection with the centre line of the roadway known as County Road No. 4 in the Town of Petrolia and a point situate 1625 feet measured southerly from its intersection with the centre line of the roadway known as Zone Street in the Village of Wyoming.

7. That part of the King's Highway known as No. 21 in the Township of Plympton in the County of Lambton lying between a point situate 1825 feet measured northerly from its intersection with the centre line of the roadway known as Superior Street in the Village of Wyoming and a point situate at its intersection with the southerly limit of the King's Highway known as No. 7.

(2) Part 3 of the said Schedule 24a, as remade by subsection 2 of section 3 of Ontario Regulation 172/62 and amended by subsection 2 of section 4 of Ontario Regulation 18/64, is further amended by adding thereto the following paragraphs:

3. That part of the King's Highway known as No. 21 in the County of Kent lying between a point situate 300 feet measured southerly from its intersection with the line between the townships of Howard and Camden in the Township of Howard and a point situate 1050 feet measured southerly from its intersection with the centre line of the roadway known as Railroad Street in the Village of Thamesville.

4. That part of the King's Highway known as No. 21 in the Gore of the Township of Camden in the County of Kent commencing at a point situate 700 feet measured southerly from its intersection with the centre line of the King's Highway known as No. 78 and extending northerly therealong for a distance of 1500 feet more or less.

5. That part of the King's Highway known as No. 21 in the Township of Enniskillen in the County of Lambton commencing at a point situate 1000 feet measured southerly from its intersection with the centre line of the road allowance between concessions 2 and 3 and extending northerly therealong for a distance of 2200 feet more or less.

6. That part of the King's Highway known as No. 21 in the Village of Wyoming in the County of Lambton lying between a point situate 1625 feet measured southerly from its intersection with the centre line of the roadway known as Zone Street and a point situate 200 feet measured southerly from its intersection with the roadway known as Sarnia Street.

7. That part of the King's Highway known as No. 21 in the Village of Wyoming in the County of Lambton lying between a point situate 200 feet measured northerly from its intersection with the centre line of the roadway known as Erie Street and a point situate 1825 feet measured northerly from its intersection with the centre line of the roadway known as Superior Street.

(3) Part 4 of the said Schedule 24a, as made by section 15 of Ontario Regulation 184/61 and amended by subsection 3 of section 3 of Ontario Regulation 172/62, is further amended by adding thereto the following paragraphs:

3. That part of the King's Highway known as No. 21 in the Township of Howard in the County of Kent commencing at a point situate 1200 feet measured northerly from its intersection with the centre line of the roadway known as Lynn Street in the Town of Ridgetown and extending northerly therealong for a distance of 700 feet more or less.

4. That part of the King's Highway known as No. 21 in the Town of Petrolia in the County of Lambton commencing at a point situate 925 feet measured southerly from its intersection with the centre line of the roadway known as County Road No. 4 and extending northerly therealong for a distance of 1625 feet more or less.

(4) Schedule 24a to Regulation 232 of Revised Regulations of Ontario, 1960, as made by section 15 of Ontario Regulation 184/61 and amended by section 3 of Ontario Regulation 172/62, is further amended by adding thereto the following Part:

PART 5

1. That part of the King's Highway known as No. 21 in the Township of Howard in the County of Kent commencing at a point situate at its intersection with the northerly limit of the King's Highway known as No. 3 and extending northerly therealong for a distance of 1750 feet more or less.

5.—(1) Part 2 of Schedule 31a to Regulation 232 of Revised Regulations of Ontario, 1960, as made by section 3 of Ontario Regulation 292/63, is amended by adding thereto the following paragraphs:

3. That part of the King's Highway known as No. 36 in the Township of Ops in the County of Victoria lying between a point situate 600 feet measured northerly from its intersection with the northerly limit of the King's Highway known as No. 7 and a point situate at its intersection with the southerly limit of the roadway known as Durham Street in the Town of Lindsay.

4. That part of the King's Highway known as No. 36 in the Township of Ops in the County of Victoria lying between a point situate 175 feet measured southerly from its intersection with the line between lots 22 and 23 in concessions 6 and 7 and a point situate 1050 feet measured northerly from its intersection with the line between lots 23 and 24 in the said concessions 6 and 7.

(2) Part 3 of the said Schedule 31a, as made by section 3 of Ontario Regulation 292/63, is amended by adding thereto the following paragraph:

3. That part of the King's Highway known as No. 36 in the Township of Ops in the County of Victoria lying between a point situate at its intersection with the southerly limit of the roadway known as Durham Street in the Town of Lindsay and a point situate 175 feet measured southerly from its intersection with the line between lots 22 and 23 in concessions 6 and 7.

THE PUBLIC SERVICE ACT, 1961-62

O. Reg. 167/64.

General.

Made—June 24th, 1964.

Approved—June 25th, 1964.

Filed—July 2nd, 1964.

REGULATION MADE UNDER THE PUBLIC SERVICE ACT, 1961-62

1. Ontario Regulation 190/62 is amended by adding thereto the following section:

LAY-OFF AND RECALL

14a.—(1) This section does not apply to persons in the positions or classifications set out in Schedule 1.

(2) In this section "release" means release from employment under subsection 4 of section 15 of the Act or transfer in lieu of release, with the consent of the transferee to another position having a classification with a lower maximum salary.

(3) Where it is proposed to release a public servant from employment, the deputy minister shall, where possible, transfer the public servant to another vacancy or work assignment in the department having the same classification or, with the consent of the public servant, having a classification with a lower maximum salary.

(4) The deputy minister shall deliver to the public servant at least fourteen days' notice of a release and shall send a copy of the notice to the Commission and the Provincial Auditor.

(5) A public servant shall not be released while there is a public servant,

(a) who is in the same classification;

(b) who is employed in the same administrative district or unit, institution or other work area in the same department;

(c) who has similar qualifications; and

(d) who has a fewer number of years of completed service in the same classification.

(6) Where a public servant who has had at least one year's service is released and his former position or another position for which he is qualified becomes vacant within one year after the release, the Deputy Minister shall deliver to the public servant at least fourteen days' notice of the vacancy and he shall be appointed to the vacancy if,

(a) he applies therefor; and

(b) no other public servant applies under this subsection who has similar qualifications and has had a greater number of years of completed service in the same classification.

(7) Where a public servant who has been released is re-appointed under this section, his period of absence shall not be computed in determining the length of his service and the service before and after such period shall be deemed to be continuous.

CIVIL SERVICE COMMISSION:

D. J. COLLINS

Dated at Toronto, this 24th day of June, 1964.

**THE DISTRICT WELFARE ADMINISTRATION
BOARDS ACT, 1962-63**

O. Reg. 168/64.
Application for Grant under Section 7
of the Act.
Made—June 25th, 1964.
Filed—July 2nd, 1964.

**REGULATION MADE UNDER
THE DISTRICT WELFARE ADMINISTRATION
BOARDS ACT, 1962-63**

**APPLICATION FOR GRANT UNDER
SECTION 7 OF THE ACT**

1. An application for a grant under section 7 of the Act shall be made in triplicate in Form 1.

PER CAPITA GRANTS UNDER SECTION 7 OF THE ACT

2.—(1) In this section,

- (a) "estimated expenditures" means the total expenditures estimated by a board and approved by the Minister to carry out the purposes of the Act during the first year of the board's operation;
- (b) "population" means the total population of all the municipalities in a district, to which the Act applies, as determined in accordance with section 8 of the Act.

(2) For the purposes of section 7 of the Act, the amount of the per capita grant shall be 50 per cent of the estimated expenditures of the board divided by the population of the district for which the board is established.

3. Payment of a grant under section 7 of the Act may be made to a board at any time during the first year in which the board is established for a district, either in one payment for the full amount or by the payment of instalments in such amounts and at such times as the Minister directs.

CHAIRMEN OF BOARDS

4.—(1) A board shall, at its first meeting after the 1st day of April in each year, appoint one of its members as chairman of the board.

(2) The member of the board who is appointed under subsection 1 shall serve as chairman until the 31st day of March following his appointment and, subject to subsection 3, may be reappointed as chairman for the next ensuing year.

(3) No member of the board shall serve for more than three consecutive terms as chairman.

(4) Where the chairman resigns or dies before his term as chairman has expired, the board shall appoint another member of the board as the chairman thereof to complete the unexpired portion of the term of the chairman who has resigned or died.

Form 1

The District Welfare Administration Boards Act, 1962-63

APPLICATION FOR GRANT UNDER SECTION 7 OF THE ACT

1. In accordance with section 7 of the Act, the District Welfare Administration Board for the.....
..... District of....., as established under section 3 of the Act,
(territorial or electoral)
hereby applies for the grant computed in paragraph 4 of this Form to assist the Board to carry out the purposes of the Act during the first year of its establishment.

2. The estimated expenditures of the Board to carry out the purposes of the Act during the first year, as approved by the Minister on....., are as follows:
(date)

Item	Estimated Expenditure for the Year
(a) Salaries:	
i. Welfare Administrator	\$.....
ii. Other Staff	\$.....
(b) Contributions to Pension Fund.....	\$.....
(c) Travelling Expenses	\$.....
(d) Allowances to Board members and their travelling and living expenses while attending meetings or engaged in the work of the Board.....	\$.....
(e) Maintenance:	
i. Cost of providing office space	\$.....
ii. Heat.....	\$.....
iii. Utilities (telephone, electricity, gas, water).....	\$.....
iv. Building maintenance—	
Supplies.....	\$.....
Extra care of premises.....	\$.....
v. Office supplies and expenses.....	\$.....
vi. Office equipment.....	\$.....

(f) Insurance..... \$.....

(g) Other (list items and estimated expenditures for each):

..... \$.....

..... \$.....

TOTAL..... \$.....

3. In accordance with the Schedule to this Form, the total population of all the municipalities in the District, to which the Act applies, is:

[Empty box for population total]

4. Computation of Grant:

(a) Estimated expenditures of Board as recorded in paragraph 2 of this Form..... \$.....

(b) Total population of the municipalities in the District, as recorded in paragraph 3 of this Form..... \$.....

(c) Per capita grant:

50% of \$..... (expenditures) ÷ (population) = [Empty box]

(d) Total amount of grant for which this application is made:

..... (population) x (per capita grant) = [Empty box]

5. CERTIFICATE:

I certify that the information given and the statements made in this Form are true and correct and in accordance with the requirements of the Act and regulations.

Dated at....., this..... day of....., 19.....

..... (signature of chairman of board)

THE INDUSTRIAL STANDARDS ACT

O. Reg. 169/64.

Schedule—Fur Industry (Ontario).

Made—May 19th, 1964.

Approved—June 25th, 1964.

Filed—July 2nd, 1964.

ORDER MADE UNDER
THE INDUSTRIAL STANDARDS ACT

1.—(1) Subclause i of clause a of section 2 of the Schedule to Ontario Regulation 280/62 is revoked and the following substituted therefor:

(i) thirty-six hours in the County of York; and

(2) Subclauses i and ii of clause b of the said section 2 are revoked and the following substituted therefor:

(i) 7¼ hours of work performed on Monday, Tuesday, Wednesday, Thursday or Friday with one hour for noon recess in the County of York; and

(ii) eight hours of work performed on Monday, Tuesday, Wednesday, Thursday or Friday with one hour for noon recess and four hours of work performed on Saturday between 8 a.m. and midday, in all other parts of Ontario.

2. The Schedule to Ontario Regulation 280/62 is amended by adding thereto the following section:

2a.—(1) The employer shall elect the period between,

(a) 8.00 a.m. and 5.00 p.m.;

(b) 8.30 a.m. and 5.30 p.m.; or

(c) 9.00 a.m. and 6.00 p.m.,

as the daily period during which work is to be performed by his employees and the period so elected shall apply to all the days during which work is performed by his employees until the period is changed by another election in accordance with subsection 4.

(2) Subsection 1 does not apply to work performed in the industry on Saturday between 8 a.m. and midday in Ontario other than in the County of York.

(3) The employer shall,

(a) post conspicuously in a place where his employees are engaged in their duties; and

(b) file with the advisory committee,

a notice that sets out the period during which work is to be performed by his employees.

(4) Where an employer changes his election, he shall give thirty days' notice in writing to his employees and to the advisory committee of the new period elected.

3.—(1) Section 7 of the Schedule to Ontario Regulation 280/62 is amended by adding at the end of,

(a) clause a of paragraph ii;

(b) paragraph vi;

(c) paragraph vii;

(d) paragraph viii;

(e) clause b of paragraph x; and

(f) clause c of paragraph x,

in each case, "or who perform the same operations only in the repair and remodelling of used fur garments".

(2) Paragraph x of the said section 7 is amended by striking out "and" at the end of clause b and inserting "and" at the end of clause c and by adding thereto the following clause:

(d) tapers, being persons who perform no work other than the application of tape to the edges of fur garments or fur pieces.

4. Section 8 of the Schedule to Ontario Regulation 280/62 is revoked and the following substituted therefor:

8. The minimum rate of wages for all work performed in the industry during the regular working periods by employees classified in section 7 is,

(a) in the County of York, the hourly rate set opposite the respective classes as follows:

i. Class A, \$2.39.

ii. Class B, \$2.11.

iii. Class C, \$1.97.

iv. Class D, \$1.88.

v. Class E, \$1.83.

vi. Class F, \$1.77.

vii. Class G, \$1.72.

viii. Class H, \$1.63.

ix. Class I, \$1.58.

x. Class J, \$1.44; and

(b) in all other parts of Ontario, the hourly rate set opposite the respective classes as follows:

i. Class A, \$1.82.

ii. Class B, \$1.59.

iii. Class C, \$1.48.

iv. Class D, \$1.41.

v. Class E, \$1.36.

vi. Class F, \$1.32.

vii. Class G, \$1.27.

viii. Class H, \$1.20.

ix. Class I, \$1.16.

x. Class J, \$1.04.

5.—(1) Clause a of section 10 of the Schedule to Ontario Regulation 280/62 is amended by striking out "one-quarter" in the first and second lines and inserting in lieu thereof "one-half".

(2) Clause b of the said section 10 is amended by striking out "one-quarter" in the first and second lines and inserting in lieu thereof "one-half".

6. This Order comes into force on the tenth day after the publication thereof in *The Ontario Gazette* under *The Regulations Act*.

We approve section 5 of this order.

We concur,

ADVISORY COMMITTEE FOR
THE FUR INDUSTRY:

INDUSTRY AND LABOUR
BOARD:

JOS. H. ALLEN
EDWIN M. WALKER
MAX FEDERMAN
HARRY WEISFELD

E. G. GIBB, *Chairman.*
J. F. NUTLAND, *Member.*
H. G. PIERCY, *Member.*

Dated at Toronto, this 19th day of May, 1964.

(911)

28

THE FARM PRODUCTS MARKETING ACT

O. Reg. 170/64.

Soya-Beans—Marketing.

Made—June 30th, 1964.

Filed—July 2nd, 1964.

REGULATION MADE UNDER
THE FARM PRODUCTS MARKETING ACT

1. Subsection 1 of section 8 of Regulation 167 of Revised Regulations of Ontario, 1960 is revoked and the following substituted therefor:

(1) Every producer shall pay to the local board licence fees at the rate of one cent for each bushel or fraction thereof of soya-beans delivered to a dealer or processor.

2. This Regulation comes into force on the 1st day of September, 1964.

THE FARM PRODUCTS MARKETING BOARD:

G. A. McCAGUE,
Chairman.

J. W. DRENNAN,
Secretary.

Dated at Toronto, this 30th day of June, 1964.

(912)

28



Publications Under The Regulations Act

July 18th, 1964

THE INDUSTRIAL STANDARDS ACT

O. Reg. 171/64.

Designations—Industries and Zones.

Made—July 6th, 1964.

Filed—July 7th, 1964.

REGULATION MADE UNDER THE INDUSTRIAL STANDARDS ACT

1. Section 3 of Regulation 244 of Revised Regulations of Ontario, 1960 is amended by adding thereto the following subsection:

STURGEON FALLS ZONE

(65b) That part of Ontario described in paragraph 65b of Appendix C is designated as a zone, to be known as the Sturgeon Falls Zone, for any industry designated or defined in Part IV as an industry for the purposes of the Act.

2.—(1) Paragraph 41 of Appendix C to Regulation 244 of Revised Regulations of Ontario, 1960 is revoked and the following substituted therefor:

NORTH BAY ZONE

41. The City of North Bay and the suburban area adjacent thereto and lying within a line drawn as follows: beginning at the intersection of the westerly limit of Lot 2, Concession B in the Township of Commanda with the northerly shore of Lake Nipissing; thence northerly along the westerly limit of Lot 2 in each of Concessions B, A, 1, 2, 3, 4, 5 and 6 and along the production northerly of the westerly limit of Lot 2, Concession 6 to the northerly limit of the Township of Commanda; thence easterly along the northerly limit of the townships of Commanda and Widdifield to the easterly limit of the Township of Widdifield; thence southerly along the said easterly limit and its production southerly to the centre line of the Mattawa River; thence easterly along the centre line of the Mattawa River to the production northerly of the easterly limit of the Township of East Ferris; thence southerly along the production northerly of the easterly limit of the Township of East Ferris and along the easterly limit of the Township of East Ferris to the southerly limit of Concession 8; thence westerly along the southerly limit of Concession 8 in the Township of East Ferris and along the production westerly of the said southerly limit of Concession 8 through the Township of North Himsworth to the easterly shore of Lake Nipissing; thence in a general northwesterly direction following the windings and turnings of the easterly shore line to the place of beginning.

(2) The said Appendix C is amended by adding thereto the following paragraph:

STURGEON FALLS ZONE

65b. The Town of Sturgeon Falls and the suburban area adjacent thereto and lying within a line drawn as follows: beginning at the intersection of the westerly limit of the Township of Springer with the northerly shore of Lake Nipissing; thence northerly along the westerly limit of the Township of Springer to the

northerly limit of Concession 4; thence easterly along the northerly limit of Concession 4 in the Township of Springer to the easterly limit of the Township of Springer; thence southerly along the easterly limit of the Township of Springer to the northerly shore of Lake Nipissing; thence in a general westerly direction following the windings and turnings of the shore line to the place of beginning.

H. L. ROWNTREE,
Minister of Labour.

Dated at Toronto, this 6th day of July, 1964.

(915)

29

THE INDUSTRIAL STANDARDS ACT

O. Reg. 172/64.

Designations—Industries and Zones.

Made—July 6th, 1964.

Filed—July 7th, 1964.

REGULATION MADE UNDER THE INDUSTRIAL STANDARDS ACT

1. Paragraph 65a of Appendix C to Regulation 244 of Revised Regulations of Ontario, 1960, as made by subsection 3 of section 2 of Ontario Regulation 95/63, is revoked and the following substituted therefor:

SUDBURY ZONE

65a. The City of Sudbury and the suburban area adjacent thereto and lying within a line drawn as follows: beginning at the intersection of the westerly limit of the Township of Graham with the northerly limit of the King's Highway No. 17; thence northerly along the westerly limit of the townships of Graham, Creighton and Balfour to the northerly limit of the Township of Balfour; thence easterly along the northerly limit of the townships of Balfour and Rayside to the westerly limit of the Township of Hanmer; thence northerly along the westerly limit of the Township of Hanmer to the northerly limit of the Township of Hanmer; thence easterly along the northerly limit of the townships of Hanmer and Capreol to the boundary between the townships of Capreol and Macleannan; thence southerly along the boundary between the townships of Capreol and Macleannan to the northerly limit of Concession 1 in the Township of Macleannan; thence easterly along the said northerly limit of Concession 1 to the easterly limit of the Township of Macleannan; thence southerly along the easterly limit of the townships of Macleannan, Falconbridge, Dryden and Cleland to the southerly limit of Concession 3 in the Township of Cleland; thence westerly along the said southerly limit of Concession 3 through the townships of Cleland, Dill, Broder and Waters to a road running northerly through Concession 3 in the vicinity of lots 5 and 6, Concession 3 in the Township of Waters; thence northerly along the said road to the northerly limit of Concession 3 in the Township of Waters; thence westerly along the northerly limit of Concession 3 to

the northerly limit of the King's Highway No. 17; thence westerly along the northerly limit of the King's Highway No. 17 to the place of beginning.

H. L. ROWNTREE,
Minister of Labour.

Dated at Toronto, this 6th day of July, 1964.

(916)

29

THE HIGHWAY IMPROVEMENT ACT

O. Reg. 173/64.

Designations—

Miscellaneous Southern Ontario.

Made—June 30th, 1964.

Filed—July 8th, 1964

REGULATION MADE UNDER THE HIGHWAY IMPROVEMENT ACT

1. Schedule 27 to Regulation 213 of Revised Regulations of Ontario, 1960 is amended by adding at the end thereof:

"except that portion of the above-mentioned highway transferred to the Corporation of the Township of Etobicoke in the County of York by Order-in-Council numbered OC-490/64, dated the 13th day of February, 1964, and shown coloured yellow on Department of Highways plan P-2083-154".

2. Schedule 32 to Regulation 213 of Revised Regulations of Ontario, 1960 is amended by adding at the end thereof:

"except that portion of the above-mentioned highway transferred to the Corporation of the Township of Etobicoke in the County of York by Order-in-Council numbered OC-490/64, dated the 13th day of February, 1964, as amended by Order-in-Council numbered OC-1268/64, dated the 23rd day of April, 1964, and shown coloured yellow on Department of Highways plan P-2083-154".

3. Schedule 37 to Regulation 213 of Revised Regulations of Ontario, 1960 is amended by adding at the end thereof:

"except that portion of the above-mentioned highway closed by Order-in-Council numbered OC-3295/61, dated the 3rd day of August, 1961, and shown coloured yellow on Department of Highways plan P-1980-38".

4. Schedule 86 to Regulation 213 of Revised Regulations of Ontario, 1960, as made by section 2 of Ontario Regulation 175/61, is revoked.

5. Schedule 103 to Regulation 213 of Revised Regulations of Ontario, 1960, as made by section 1 of Ontario Regulation 342/61, is revoked and the following substituted therefor:

OTTAWA TO ANTRIM

Schedule 103-

In the Township of Nepean in the County of Carleton being,

- (a) part of lots 1 to 18, both inclusive, Concession 2, Ottawa Front; and

(b) part of the road allowance between,

(i) lots 5 and 6, concessions 1 and 2, Ottawa Front,

(ii) lots 10 and 11, concessions 1 and 2, Ottawa Front,

(iii) lots 15 and 16, Concession 2, Ottawa Front, and

(iv) the townships of Nepean and March,

and being that portion of the King's Highway shown outlined on Department of Highways plan P-1870-48, registered in the registry office for the registry division of the County of Carleton as No. 476788.

4.30 miles, more or less.

Schedule 103a

In the Township of March in the County of Carleton being,

(a) part of Lot 2 in each of concessions 2, 3 and 4;

(b) part of Lot 3, concessions 1 and 2; and

(c) part of the road allowance between,

(i) concessions 1 and 2,

(ii) concessions 2 and 3,

(iii) concessions 3 and 4,

(iv) the townships of March and Nepean, and

(v) the townships of March and Huntley,

and being that portion of the King's Highway shown outlined on Department of Highways plan P-1648-8, registered in the registry office for the registry division of the County of Carleton as No. 5084.

2.80 miles, more or less.

Schedule 103b

In the Township of Huntley in the County of Carleton being,

(a) part of Lot 3 in each of concessions 1, 2 and 3;

(b) part of lots 1 to 14, both inclusive, Concession 4;

(c) part of lots 13 to 17, both inclusive, Concession 5;

(d) part of lots 17 to 21, both inclusive, Concession 6;

(e) part of lots 20 to 24, both inclusive, Concession 7;

(f) part of lots 24 to 27, both inclusive, Concession 8;

(g) part of Lot 27, Concession 9; and

(h) part of the road allowance between,

(i) concessions 1 and 2,

(ii) concessions 2 and 3,

(iii) concessions 3 and 4,

(iv) lots 5 and 6, Concession 4,

(v) lots 10 and 11, Concession 4,

- (vi) concessions 4 and 5,
- (vii) lots 15 and 16, Concession 5,
- (viii) concessions 5 and 6,
- (ix) concessions 6 and 7,
- (x) lots 20 and 21, concessions 6 and 7,
- (xi) concessions 7 and 8,
- (xii) concessions 8 and 9,
- (xiii) the townships of Huntley and March,
- (xiv) the townships of Huntley and Fitzroy, and
- (xv) the townships of Huntley and Goulbourn,

and being that portion of the King's Highway shown outlined on Department of Highways plan P-1770-20, registered in the registry office for the registry division of the County of Carleton as No. 12018.

13.50 miles, more or less.

Schedule 103c

In the Township of Goulbourn in the County of Carleton being,

- (a) part of lots 17, 18 and 19, Concession 12; and
- (b) part of the road allowance between the townships of Goulbourn and Huntley,

and being that portion of the King's Highway shown outlined on Department of Highways plan P-1696-40, registered in the registry office for the registry division of the County of Carleton as No. 14852.

0.70 miles, more or less.

(950) 29

THE GAME AND FISH ACT, 1961-62

O. Reg. 174/63.
 Waters Set Apart for Periods.
 Made—July 7th, 1964.
 Filed—July 10th, 1964.

REGULATION MADE UNDER THE GAME AND FISH ACT, 1961-62

1. Ontario Regulation 82/64, as amended by Ontario Regulations 93/64 and 107/64, is further amended by adding thereto the following section:

23b. The several waters described in schedules 14a and 15a and known as Grass Point Fish Sanctuary and Grenadier Island Fish Sanctuary, respectively, are set apart for the conservation or propagation of fish from the 10th day of July to the 1st day of August, both inclusive, in the year 1964.

2. Ontario Regulation 82/64, as amended by Ontario Regulations 93/64 and 107/64, is further amended by adding thereto the following schedules:

Schedule 14a

GRASS POINT FISH SANCTUARY

Part of the bed of the St. Lawrence River lying in front of lots 17, 18 and 19, Broken Front Concession, in the Township of Front of Escott (formerly Escott Township) in the County of Leeds, described as follows:

Beginning at a point in the water's edge on the most southerly extremity of Grass Point; thence south 84° west astronomically, 1300 feet, more or less, to the water's edge on the northerly shore of the St. Lawrence River; thence in a northeasterly direction following that water's edge to the intersection with the southeasterly production of the northeasterly limit of Lot 19, Broken Front Concession, in the Township of Front of Escott (formerly Escott Township); thence southeasterly in a straight line to the water's edge on the most southwesterly extremity of Chichester Island; thence southwesterly in a straight line to the water's edge on the most southeasterly extremity of Grass Point; thence in a southwesterly direction following that water's edge to the place of beginning.

Schedule 15a

GRENADIER ISLAND FISH SANCTUARY

Part of the bed of the St. Lawrence River adjacent to the northwesterly shore of Grenadier Island lying in front of the Township of Front of Escott (formerly Escott Township) in the County of Leeds, described as follows:

Beginning at a point in the water's edge on the most northerly extremity of Squaw Island; thence southeasterly along the water's edge of that island to the most easterly extremity thereof; thence south astronomically to a point in the water's edge on the northwesterly shore of Grenadier Island; thence northeasterly along that water's edge to the confluence with the water's edge on the westerly bank of Brookers Creek; thence north astronomically to the intersection with a straight line connecting the most northeasterly extremity of Broadbill Island and the most northwesterly extremity of Fermann's Point; thence southwesterly along that connecting line, 5100 feet, more or less, to the water's edge on the most northeasterly extremity of Broadbill Island; thence southwesterly in a straight line to the place of beginning.

A. K. ROBERTS,
Minister of Lands and Forests.

Toronto, July 7th, 1964.

(951) 29

THE DEPARTMENT OF EDUCATION ACT

O. Reg. 175/64.
 Grants for Non-Profit Camps.
 Made—June 2nd, 1964.
 Approved—July 9th, 1964.
 Filed—July 10th, 1964.

REGULATION MADE UNDER THE DEPARTMENT OF EDUCATION ACT

GRANTS FOR NON-PROFIT CAMPS

INTERPRETATION

1. In this Regulation,

- (a) "camper" means a resident of Ontario under eighteen years of age on the 31st day of May in the current year in attendance at a camp for at least six consecutive nights, but does not include a person employed therein;
- (b) "non-profit programme of camping" means an organized programme of camping activities planned and conducted according to recognized and accepted principles of camping at a camp,

- (i) by a non-profit organization using accommodation, equipment and facilities suitable for such a programme,
- (ii) as a service to the community during one or more months from June to September, both inclusive, and
- (iii) where the average of the fees paid by campers is not more than \$2.50 a day.

GRANTS

2. Where an organization conducts a non-profit programme of camping at a camp licensed under *The Public Health Act* and the Minister approves the content of the programme and the accommodation, equipment and facilities for conducting the programme, the organization shall be paid a grant of,

- (a) 90 cents for each camper remaining in camp for 6, 7 or 8 consecutive nights;
- (b) \$1.25 for each camper remaining in camp for 9, 10, 11 or 12 consecutive nights; and
- (c) \$2.00 for each camper remaining in camp for 13 or more consecutive nights,

but the aggregate grant paid to the organization shall not exceed \$2,500.

INCREASE OR REDUCTION IN GRANTS

3. Where in any year the amount voted by the Legislature for the grants under this Regulation is,

- (a) more than sufficient to pay the grants in full; or
- (b) insufficient to pay the grants in full,

the Minister may make a *pro rata* increase or reduction, as the case may be.

4. Regulation 86 of Revised Regulations of Ontario, 1960 is revoked.

WILLIAM G. DAVIS,
Minister of Education.

Toronto, June 2nd, 1964.

(952)

29

THE HIGHWAY TRAFFIC ACT

O. Reg. 176/64.
Demerit Point System.
Made—July 9th, 1964.
Filed—July 13th, 1964.

REGULATION MADE UNDER
THE HIGHWAY TRAFFIC ACT

1. Item 16 of the Table to Ontario Regulation 129/62, as remade by section 1 of Ontario Regulation 139/64, is revoked and the following substituted therefor:

	COLUMN 1	COLUMN 2	COLUMN 3
Item	Provisions for offences	Number of Demerit Points	Short description of offences for convenience of reference only
16	Sections 67a(1), 67a(2) and 67a(3) of <i>The Highway Traffic Act</i>	2	Pedestrian crossover

(953)

29

Publications Under The Regulations Act

July 25th, 1964

THE GAME AND FISH ACT, 1961-62

O. Reg. 177/64.

Open Seasons—Game Birds.

Made—July 9th, 1964.

Filed—July 13th, 1964.

REGULATION MADE UNDER THE GAME AND FISH ACT, 1961-62

OPEN SEASONS—GAME BIRDS

Open Season for Hungarian Partridge

1.—(1) Hungarian partridge may be hunted in the year 1964,

- (a) in the counties of Brant, Bruce, Dufferin, Elgin, Essex, Grey, Haldimand, Halton, Huron, Kent, Lambton, Lincoln, Middlesex, Norfolk, Oxford, Perth, Waterloo, Welland, Wellington and Wentworth from the 3rd day of October to the 28th day of November, both inclusive; and
- (b) in any other part of Ontario from the 26th day of September to the 28th day of November, both inclusive.

(2) No person shall take more than eight Hungarian partridge in one day or have in his possession more than sixteen Hungarian partridge at one time.

Open Season for Pheasant

2.—(1) Pheasant may be hunted in the year 1964 between the hours of 8 a.m. and 5 p.m..

- (a) from the 21st day of October to the 7th day of November, both inclusive, in the counties of Brant, Dufferin, Elgin, Haldimand, Halton, Middlesex, Norfolk, Oxford, Peel, Perth, Waterloo, Wellington and York, and in the townships of Hay, Stephen and Osborne in the County of Huron, and in the townships of Pickering, Reach, Scott, Uxbridge, East Whitby and Whitby in the County of Ontario, and in the townships of Adjala, Essa, Innisfil, Tecumseth, Tosorontio and West Gwillimbury in the County of Simcoe, and in the townships of Beverly, East Flamborough and West Flamborough in the County of Wentworth;
- (b) from the 28th day of October to the 4th day of November, both inclusive, in the County of Essex, except in the Township of Pelee, and in the counties of Lincoln and Welland, and in the townships of Ancaster, Barton, Binbrook, Glanford and Saltfleet in the County of Wentworth;
- (c) from the 28th day of October to the 14th day of November, both inclusive, in the counties of Kent and Lambton;
- (d) from the 3rd day of October to the 24th day of October, both inclusive, in the townships of Clarke and Darlington in the County of Durham;

(e) from the 3rd day of October to the 30th day of November, both inclusive, in any part of Ontario except in the Township of Pelee in the County of Essex and except in the area described in clauses *a*, *b*, *c* and *d*; and

(f) on the 22nd, 23rd, 29th and 30th days of October in the Township of Pelee in the County of Essex.

(2) No person shall take in one day in the areas referred to in clauses *a*, *b* and *c* of subsection 1 more than three pheasants not more than one of which shall be a female pheasant.

(3) No person shall take in one day in the areas referred to in clauses *d* and *e* of subsection 1 more than three pheasants.

(4) No person shall take in the area described in clause *f* of subsection 1,

(a) more than eight male pheasants and two female pheasants on the 22nd and 23rd days of October; and

(b) more than seven male pheasants and three female pheasants on the 29th and 30th days of October.

Open Season for Ruffed Grouse, Spruce Grouse, Sharp-tailed Grouse and Ptarmigan

3.—(1) Ruffed grouse and spruce grouse may be hunted in the territorial districts of Cochrane and Timiskaming and that part of the Territorial District of Kenora lying north of the 11th Base Line from the 15th day of September to the 15th day of December, both inclusive, in the year 1964.

(2) Sharp-tailed grouse and ptarmigan may be hunted in the territorial districts of Cochrane and Timiskaming and that part of the Territorial District of Kenora lying north of the 11th Base Line from the 15th day of September, 1964 to the 31st day of March, 1965, both inclusive.

(3) Sharp-tailed, ruffed and spruce grouse and ptarmigan may be hunted in the year 1964 in,

(a) that part of Ontario described in Schedule 1 from the 15th day of September to the 15th day of December, both inclusive;

(b) the counties of Brant, Bruce, Dufferin, Elgin, Essex, Grey, Haldimand, Halton, Huron, Kent, Lambton, Lincoln, Middlesex, Norfolk, Oxford, Perth, Waterloo, Welland, Wellington and Wentworth, and in the townships of Clarke and Darlington in the County of Durham, from the 3rd day of October to the 15th day of December, both inclusive; and

(c) the remainder of Ontario except the territorial districts of Cochrane and Timiskaming and except the area described in clauses *a* and *b* from the 26th day of September to the 15th day of December, both inclusive.

4.—(1) No person shall take in one day an aggregate number of ruffed grouse and spruce grouse exceeding five, and no person shall have in his possession at any one time an aggregate number of ruffed grouse and spruce grouse exceeding fifteen.

(2) No person shall take in one day more than five sharp-tailed grouse or have in his possession more than fifteen sharp-tailed grouse at one time.

(3) No person shall take in one day more than five ptarmigan or have in his possession more than fifteen ptarmigan at one time

Open Season for Bob-White Quail

5.—(1) Bob-white quail may be hunted from the 28th day of October to the 30th day of October, both inclusive, in the year 1964 in the Township of Raleigh in the County of Kent and in the Township of Plympton in the County of Lambton.

(2) No person shall take in one day more than five bob-white quail or have in his possession more than five bob-white quail at one time.

6. This Regulation is subject to Regulation 188 of Revised Regulations of Ontario, 1960 and does not apply to provincial parks other than that part of Algonquin Provincial Park situate in the geographic townships of Bruton and Clyde in the Provisional County of Haliburton.

7. Ontario Regulations 195/63, 267/63, 273/63 and 297/63 are revoked.

Schedule 1

All that part of the Province of Ontario lying north of the Town of Mattawa, in the geographic Township of Papineau, in the Territorial District of Nipissing, and a line which is described as follows:

Beginning at the intersection of the northerly limit of the right of way of that part of the King's Highway known as No. 17 with the westerly limit of the said Town of Mattawa; thence westerly along the said northerly limit of the right of way of that part of the King's Highway known as No. 17 to the community known as Spragge in the geographic Township of Spragge, in the Territorial District of Algoma; thence southwesterly in a straight line to the intersection with the angle of the International Boundary between Canada and the United States of America lying northwesterly of Cockburn Island, in the Territorial District of Manitoulin, in the North Channel of Lake Huron; thence in a general northwesterly and westerly direction following the said International Boundary to the intersection with the Interprovincial Boundary between Ontario and Manitoba;

save and excepting therefrom the territorial districts of Cochrane and Timiskaming and that part of the Territorial District of Kenora lying north of the 11th Base Line.

(954)

30

THE ONTARIO WATER RESOURCES COMMISSION ACT

O. Reg. 178/64.
Plumbing Code.
Made—June 26th, 1964.
Approved—July 9th, 1964.
Filed—July 13th, 1964.

REGULATION MADE UNDER THE ONTARIO WATER RESOURCES COMMISSION ACT

1.—(1) Subsection 2 of section 29 of Regulation 471 of Revised Regulations of Ontario, 1960 is amended by inserting after "piping" in the first line "or dis-

tributing piping that is installed underground and is to convey exclusively water of a temperature of less than 100° Fahrenheit".

(2) Subsections 3 and 4 of the said section 29 are revoked and the following substituted therefor:

(3) Where a pipe or fitting of a trade size smaller than 2 inch of iron or of steel of any kind is used, it shall be zinc galvanized or cement lined and, subject to subsection 4, where it is underground, it shall be of a trade size not smaller than 1¼ inch.

(4) Black iron or black steel pipe or fittings shall not be installed underground.

2. Regulation 471 of Revised Regulations of Ontario, 1960 is amended by adding thereto the following sections:

29a.—(1) In this section, "asbestos cement pipe" means pipe,

(a) composed of an homogenous mixture of portland cement and asbestos fibre, free from organic matter and suitable for conveying water under pressure;

(b) the inside surface of which is smooth and free from any defect that results in a variation in the inside diameter of more than 0.187 inch;

(c) the inside diameter of which, measured three inches from any end of the pipe, is not more than 5 per cent less than the trade size of the pipe;

(d) that is an uncut length of thirteen feet with a tolerance of minus one inch; and

(e) the centre line of which does not deviate from a straight line by more than 5/8 of an inch.

(2) Where service piping or distributing piping to convey exclusively water of a temperature of less than 100° Fahrenheit and of a trade size not smaller than 4 inch is installed underground, it may be asbestos cement pipe if it is of a class referred to in column 1 of Table 27 and if it is of a trade size itemized in column 2 and if it,

(a) is capable of withstanding the working pressure in pounds per square inch set opposite thereto in column 3;

(b) is capable of withstanding the hydrostatic test pressure in pounds per square inch set opposite thereto in column 4;

(c) has flexural strength to withstand a total load in pounds of not less than that set opposite thereto in column 5 if the load is applied at mid-span of a span of pipe thirteen feet in length; and

(d) has the crushing strength in pounds per lineal foot of piping not less than that set opposite thereto in column 6.

(3) Asbestos cement pipe or fittings shall not be installed unless the manufacturer has permanently marked thereon the class of pipe, the trade size and the identification of the manufacturer.

29b.—(1) In this section, "boss" means a protuberance or knob that is on the outside of a pipe and that causes the pipe wall to be thicker at that point than the rest of the pipe wall.

(2) Except as provided in subsections 3, 4 and 5 no metal pipe or copper tube shall be drilled or tapped.

(3) Metal pipe of a wall thickness of 0.34 inch or more and of a trade size of 4 inch or more may be drilled and tapped without a boss if the maximum trade size of the tap does not exceed $\frac{1}{4}$ of the trade size of the metal pipe being tapped.

(4) Metal pipe or copper tube of a wall thickness of less than 0.34 inch and of a trade size of less than 4 inch may be drilled and tapped if it is drilled and tapped through a boss provided for drilling and tapping.

(5) Copper tube of the dimensions of Type K in Table 9 may be drilled with a mechanical tee turner that produces a tee with cylindrical walls that are smooth on the inside and limit the depth of insertion of the tube that fits into the tee.

3.—(1) Subsection 3 of section 48 of Regulation 471 of Revised Regulations of Ontario, 1960 is amended by striking out "drainage pipe or" in the second line.

(2) The said section 48 is amended by adding thereto the following subsection:

(3a) No saddle hub or band shall be used on a drainage pipe unless the pipe is in service, is installed underground, is composed of a non-metallic material and is of a trade size of not less than 10 inch and the saddle hub or band makes a water-tight connection and,

(a) the saddle hub and all accessories, including gaskets, hold-down straps, nuts and washers; or

(b) the band and all accessories, including gaskets, bolts, nuts and washers,

have a life expectancy equal to,

(i) that of the existing underground drainage pipe,

(ii) that of the pipe being installed, or

(iii) twenty years,

whichever is the lesser.

(3) The said section 48 is amended by adding thereto the following subsections:

(9) No connection shall be made between a lead pipe and a branch pipe of material other than lead unless,

(a) a lead branch of developed length of six inches or more is connected to the lead pipe; and

(b) the lead branch and the branch pipe are of equal trade size.

(10) Branched drainage piping shall have the fittings installed so that the flows of sewage come together at an included angle of less than 90 degrees.

4.—(1) Subsection 1 of section 68 of Regulation 471 of Revised Regulations of Ontario, 1960 is amended by,

(a) inserting at the beginning thereof "Subject to section 68a"; and

(b) striking out "in a cast iron pipe" in the first line and inserting in lieu thereof "between a cast iron pipe and a pipe made of cast iron, wrought iron, steel, brass or copper or between a cast iron pipe and a copper tube".

(2) Subsection 2 of the said section 68 is revoked.

(3) The said section 68 is amended by adding thereto the following subsections:

(5) Where copper tubing of any trade size is joined to cast iron, cement asbestos, clay tile or bituminous fibre pipe, it shall be provided with a brass ferrule or a brass adapter designed for the purpose.

(6) Where steel or malleable cast iron pipe is caulked into a hub, it shall be the same trade size as the pipe to which the hub is attached.

5. Regulation 471 of Revised Regulations of Ontario, 1960 is amended by adding thereto the following sections:

68a.—(1) In this section,

(a) "gasket" means a gasket made of butyl rubber or neoprene and containing no adulterants or reclaimed material and having a compression set after twenty-two hours at 158° Fahrenheit of not more than 15 per cent;

(b) "metal shield" means a shield not less than .008 inch thick made of stainless steel or other metal equal in tensile strength and corrosion resistance to stainless steel;

(c) "clamps" means clamps made of stainless steel not less than 0.025 inch thick and having sufficient strength to compress a metal shield and gasket around the pipe to form a water-tight joint.

(2) Every joint in plain end cast iron soil pipe may be made by inserting the pipe end in a tubular elastic gasket surrounded by a metal shield and compressed by clamps if the pipe is used in a building not exceeding three storeys in height above ground level.

(3) No plain end cast iron soil pipe fittings, clamps, gaskets or metal shields shall be installed unless the manufacturer has permanently marked the fittings, clamps, gaskets and metal shields and the pipe at intervals of not more than five feet throughout the length of the pipe with the class and the trade size of the pipe and the identification of the manufacturer.

(4) Where bolts, nuts or screws are used in clamps they shall be of stainless steel.

128a.—(1) In this section,

(a) "alloyed zinc" means an alloy of zinc having the corrosion resistance and physical properties of an alloy containing 0.15 per cent titanium, 0.74 per cent copper and 99.11 per cent zinc and so tempered as to be capable of being formed into the shape required for a water-tight joint.

- (b) "flashing" means a weather stop surrounding a pipe at a place where the pipe protrudes through a roof or an outside wall of a building.
- (2) Where stacks or vent pipes pass through a roof they shall be equipped with a flashing and the joint between the roof and the pipe or stack shall be made water-tight.
- (3) Flashing for stacks and vent pipes shall be of copper, aluminum, alloyed zinc, lead or neoprene.
- (4) Flashing shall be at least twenty inches in length by twenty inches in width and, where sleeve flashing is used, the sleeve shall be extended at least six inches above the roof at every point of the pipe or stack.
- (5) Flashing made of,

- (a) lead shall be of lead sheet weighing not less than five pounds per square foot;
- (b) copper shall be of copper sheet weighing not less than ten ounces per square foot;
- (c) aluminum shall be of sheet aluminum weighing not less than 5.5 ounces per square foot;
- (d) alloyed zinc shall be of alloyed zinc sheet weighing not less than 8.1 ounces per square foot; or
- (e) neoprene shall weigh not less than 0.722 pound per square foot.

6. Regulation 471 of Revised Regulations of Ontario, 1960 is amended by adding thereto the following Table:

TABLE 27
ASBESTOS CEMENT PIPE IN POTABLE WATER SYSTEMS

Column 1	Column 2	Column 3	Column 4	Column 5	Column 6
Class	Trade size (inches)	Working pressure (p.s.i.)	Hydrostatic test pressure (p.s.i.)	Flexural strength (lbs.)	Crushing strength (lbs.)
100	4	100	350	900	4100
	6	100	350	2100	3900
	8	100	350	4000	3700
	10	100	350	3700
	12	100	350	4000
	14	100	350	4400
	16	100	350	4800
150	4	150	525	1100	5400
	6	150	525	2800	5400
	8	150	525	5700	5500
	10	150	525	7000
	12	150	525	7600
	14	150	525	8600
	16	150	525	9200
200	4	200	700	1400	8700
	6	200	700	3700	9000
	8	200	700	7600	9300
	10	200	700	11000
	12	200	700	11800
	14	200	700	13500
	16	200	700	15400

ONTARIO WATER RESOURCES COMMISSION:

J. A. VANCE,
Chairman.

Dated at Toronto, this 26th day of June, 1964.

THE MILK INDUSTRY ACT

O. Reg. 179/64.

Milk Products.

Made—April 15th, 1964.

Approved—July 9th, 1964.

Filed—July 13th, 1964.

REGULATION MADE UNDER
THE MILK INDUSTRY ACT

1. Regulation 434 of Revised Regulations of Ontario, 1960, as amended by Ontario Regulations 209/61 and 274/63, is further amended by adding thereto the following sections:

74a.—(1) In this section, "local board" means The Ontario Concentrated Milk Producers' Marketing Board established under the Act.

(2) Every producer who delivers milk to a plant for manufacture into milk products, other than cheese, shall pay to the local board, in respect of each plant to which he delivers milk, a fee of \$1 a year for the selecting, grading, rejecting, weighing, sampling and testing of such milk.

(3) The fee prescribed in subsection 2 shall be paid to the local board on or before the 31st day of December in each year.

(4) The local board shall forward to the Treasurer of Ontario the fees paid to it in any year not later than the 31st day of March in the following year.

86a.—(1) In this section, "local board" means The Ontario Cream Producers' Marketing Board established under the Act.

(2) In an area where a cream quality programme is carried on by the Department of Agriculture, a producer who delivers cream to a plant for manufacture into creamery butter shall pay to the local board, in respect of each plant to which he delivers cream, a fee of \$1 a year for the selecting, grading, rejecting, weighing, sampling and testing of such cream.

(3) The fee prescribed in subsection 2 shall be paid to the local board on or before the 31st day of December in each year.

(4) The local board shall forward to the Treasurer of Ontario the fees paid to it in any year not later than the 31st day of March in the following year.

THE MILK INDUSTRY BOARD OF ONTARIO:

G. A. McCAGUE,
*Chairman.*A. S. NYHOLT,
Secretary.

Dated at Toronto, this 15th day of April, 1964.

(956)

30

THE JUDICATURE ACT

O. Reg. 180/64.

Rules of Practice.

Made—June 18th and 19th, 1964.

Approved—July 9th, 1964.

Filed—July 14th, 1964.

AMENDMENTS TO THE RULES OF PRACTICE
AND PROCEDURE OF THE SUPREME COURT
OF ONTARIO INCLUDING THE APPENDIX OF
FORMS AND THE TARIFFS OF FEES MADE
BY THE RULES COMMITTEE ON JUNE 18TH
AND 19TH, 1964, UNDER THE JUDICATURE ACT

1. Rule 33 of Regulation 396 of Revised Regulations of Ontario, 1960, is revoked and the following substituted therefor, effective January 1st, 1965:

33.—(1) At the option of the plaintiff, the writ of summons may be specially endorsed with a statement of claim where the plaintiff seeks to recover a debt or liquidated demand in money (with or without interest and whether the interest be payable by way of damages or otherwise) arising,

(a) upon a simple written promise to pay or upon a written acknowledgement of debt; or

(b) upon a simple contract, express or implied, for goods sold and delivered; or

(c) upon a simple contract, express or implied, for work done or services rendered where the price or method of calculation of the price has been agreed upon; or

(d) upon a cheque, promissory note or bill of exchange; or

(e) upon an account settled between the parties in writing; or

(f) upon a bond or contract under seal for payment of a liquidated sum, but not including a claim for liquidated damages; or

(g) upon a judgment; or

(h) upon a statute where the amount sought to be recovered is a fixed sum of money or is in the nature of a debt other than a penalty; or

(i) upon a guarantee in writing where the claim against the principal is in respect of a debt or liquidated demand; or

(j) in an action for recovery of land, with or without a claim for rent or mesne profits; or

(k) in an action for recovery of chattels; or

(l) in an action for foreclosure, sale or redemption.

(2) The writ in such cases shall be in accordance with Form 8.

(3) Where a writ is specially endorsed in respect of any of the above claims the plaintiff may also claim in respect of any other matter, in which case,

(a) the form of the command on the writ shall be so worded as to apply to each of such claims; and

- (b) the general endorsement shall be preceded by the words "and by way of general endorsement:".
- (4) Before being issued a writ which is specially endorsed shall be certified by the solicitor who issues it that he believes the claim is one that properly comes within this Rule.
2. Rule 45 of Regulation 396 of Revised Regulations of Ontario, 1960, is amended, effective January 1st, 1965, by inserting "and in the case of a specially endorsed writ within fifteen days," immediately after "days," so that the rule shall read as follows:
45. Where a defendant is served within Ontario, he shall appear within ten days, and in the case of a specially endorsed writ within fifteen days, including the day of service.
3. Rules 167 to 171, inclusive, of Regulation 396 of Revised Regulations of Ontario, 1960, are revoked and the following substituted therefor:
- 167.—(1) Where a defendant who has entered an appearance claims to be entitled to contribution or indemnity from or any other relief over against any person not a party to the action, hereinafter called a third party, he may issue in the office in which the action was commenced a third party notice in accordance with Form 25, which shall include a statement of the defendant's claim against the third party and shall be sealed in the same manner as a writ of summons.
- (2) A copy of the notice certified by the defendant's solicitor shall be filed with the registrar at the time the notice is issued.
- (3) The notice shall be served on the third party within ten days after the plaintiff's statement of claim has been delivered, together with a copy of the writ, a copy of the plaintiff's statement of claim and copies of any other proceedings taken in the action.
- (4) A copy of the notice shall be served on the plaintiff within the times prescribed in sub-rule (3) hereof for service of the notice upon the third party.
168. A third party notice may be set aside upon an application made at any time before the time limited for the entry of the appearance and delivery of the statement of defence of the third party.
- 169.—(1) If a third party desires to dispute his liability to the defendant or the plaintiff's claim in the action as against the defendant he shall enter an appearance and deliver his statement of defence within fifteen days from service of the notice.
- (2) The defendant shall deliver his reply, if any, to the third party's statement of defence within ten days from service of such statement of defence.
- (3) The third party notice, the third party's statement of defence and the reply, if any, shall constitute the record in the third party proceedings.
170. Where the third party makes default in entering an appearance and in delivering a statement of defence to the third party notice,
- (a) he shall be deemed to admit the validity of any judgment obtained (whether by consent or otherwise) against such defendant, and his own liability to contribute or indemnify, claimed in the third party notice;
- (b) the defendant giving the notice, in case he suffers judgment by default, is entitled at any time to move for judgment against the third party to the extent of the contribution, indemnity or relief over claimed in the third party notice;
- (c) if the action is tried and results in favour of the plaintiff, the judge who tries the action may, at or after the trial, direct such judgment as the nature of the case requires to be entered for the defendant giving the notice against the third party.
171. Where the third party enters an appearance and delivers a statement of defence to the third party notice he may also, if so advised, deliver a statement of defence to the plaintiff's statement of claim, to be so entitled, raising therein any defence open to the defendant which has not been raised by the defendant in his statement of defence, and the plaintiff shall thereupon be at liberty to deliver a reply to such statement of defence within ten days after service thereof, and such pleadings between the plaintiff and the third party shall be included in and form part of the record in the action.
- 171A. Where the third party has entered an appearance and delivered a statement of defence to the third party notice,
- (a) he shall be served with all subsequent pleadings and proceedings in the action;
- (b) the third party and the defendant may have production and discovery each from the other in the same manner as between a plaintiff and a defendant;
- (c) notice shall be given to the third party in the same manner as to a party to the action of all examinations for discovery between the plaintiff and the defendant;
- (d) the third party may have production and discovery of the plaintiff; and
- (e) where the third party has also delivered a statement of defence to the plaintiff's statement of claim, the plaintiff and third party may have production and discovery each from the other.
- 171B.—(1) After the close of pleadings in the third party issue the defendant or third party shall set the third party issue down for trial at the same sitting of the court for which the action between the plaintiff and defendant was set down, irrespective of the date of the commencement of such sittings.
- (2) The party setting the issue down shall serve notice of trial forthwith upon the opposite party and the plaintiff and file the notice with proof of service thereof with the officer with whom the issue was set down within five days after the issue was set down.
- (3) The provisions of rule 248 shall apply *mutatis mutandis*.
- (4) The issue shall be placed on the list for trial next following the action between the plaintiff and defendant and shall be tried at or after the trial of the action as the trial judge may direct.

- (5) The third party shall be at liberty to appear at the trial of the action and take part therein in such manner and to such extent as the trial judge may direct.
- 171C. A third party who has entered an appearance and delivered a statement of defence shall be notified of all proceedings subsequent to trial and shall have the right to participate therein, and may appeal from any judgment or order as if he were a defendant.
- 171D.—(1) Where a third party claims to be entitled as against another person to the relief authorized by rule 167(1), he may in the same manner as a defendant, within fifteen days of service of the third party notice upon him, issue and serve a notice upon such person and the plaintiff, and the provisions of the rules relating to third party procedure shall apply *mutatis mutandis*.
- (2) Where a person served with a notice by a third party in turn claims to be entitled as against another person to the relief authorized by rule 167(1), the provisions of sub-rule (1) hereof shall apply as regards such further person and any other further person or persons served, successively.
- 171E. Where an action is commenced by a specially endorsed writ and a defendant who has entered an appearance and filed an affidavit of merits issues a third party notice,
- (a) the third party notice shall be served on the third party within fifteen days after the service of the writ upon the defendant, together with a copy of the writ and a copy of the affidavit of merits of the defendant and within the same time a copy of the third party notice shall be served upon the plaintiff;
- (b) if the third party desires to dispute the plaintiff's claim in the action as against the defendant or his own liability to the defendant, he shall enter an appearance and no further proceedings shall be taken in the action until an order for directions has been made which order shall be applied for by the defendant issuing the third party notice within ten days after the entry of appearance by the third party;
- (c) in default of the defendant applying for directions the plaintiff may make the application;
- (d) upon an application being made the court may give such directions analogous to the rules respecting third party procedure including any directions necessary for the disposition of the action; and
- (e) where the third party makes default in entering an appearance the defendant giving the notice, in case the plaintiff recovers judgment against him, is entitled at any time to move for judgment against the third party to the extent of the contribution, indemnity or relief over claimed in the third party notice.
- 171F. Any party affected by the third party proceedings may apply for directions other than those provided for in these rules.
4. Rules 172 and 173 of Regulation 396 of Revised Regulations of Ontario, 1960, are revoked and the following substituted therefor:
172. A defendant who claims to be entitled to contribution or indemnity from or relief over against any other defendant may issue and serve a third party notice against such defendant, and the provisions of the rules relating to third party procedure shall apply *mutatis mutandis* except that service of the third party notice may be effected on the solicitor in the action, if any, of the defendant sought to be made liable as a third party.
173. A plaintiff is not to be prejudiced or unnecessarily delayed by reason of questions between the defendant and the third party in which he is not concerned, and upon the application of the plaintiff the court may impose such terms as may be necessary to prevent delay of the plaintiff where it may be done without injustice to the defendant and third party.
5. Rule 181 of Regulation 396 of Revised Regulations of Ontario, 1960, is amended by inserting "(1)" immediately after the rule number.
6. Sub-clause (e) of rule 181 of Regulation 396 of Revised Regulations of Ontario, 1960, is revoked and the following sub-rule substituted therefor:
- (2) Unless otherwise ordered by a judge of the Court of Appeal and except as to the times prescribed by rule 498(e) the times of the vacations shall similarly not be reckoned for doing an act or taking a proceeding in appeals to the Court of Appeal.
7. Sub-rule (1) of rule 238 of Regulation 396 of Revised Regulations of Ontario, 1960, as amended by Ontario Regulation 162/62 is amended by striking out "or 612," and substituting "612 or 629" therefor.
8. Rules 398 and 399 of Regulation 396 of Revised Regulations of Ontario, 1960, are revoked and the following substituted therefor:
398. Every local officer upon praecipe shall transmit to the Registrar's Office, Toronto, all papers, documents and exhibits required for use in Toronto in any proceeding and, where the same exceeds five pounds in weight, upon payment of the necessary postage or express charge on the excess over five pounds for transmission and return.
399. Where papers, documents and exhibits in the custody of an officer of the court in any proceeding are required by or for use before any other officer, the officer having custody of the same shall transmit them upon the production of a request signed by the officer requiring them and where the same exceeds five pounds in weight, upon payment of the necessary postage or express charge on the excess over five pounds for transmission and return.
9. A heading "MENTAL INCOMPETENCY PROCEEDINGS" is inserted immediately following rule 462 of Regulation 396 of Revised Regulations of Ontario, 1960.
10. The following rules are added to Regulation 396 of Revised Regulations of Ontario, 1960:
- 462A.—(1) Where the respondent in proceedings under *The Mental Incompetency Act* requires the proceedings to be removed into the Supreme Court he shall serve a notice of removal upon the applicant and file the same with proof of service thereof with the clerk of the county or district court in which the proceedings were brought, not later than two days preceding

the day of the return of the application for the declaration of mental incompetency or incapability.

- (2) Upon filing of the notice of removal and proof of service thereof the clerk of the county or district court shall forthwith transmit the papers to the proper office of the Supreme Court in the County or District in which the proceedings were brought.
- (3) Within ten days of service upon him of the notice of removal the applicant shall serve upon the respondent and file a notice of the time and place of the hearing of the application before a judge of the Supreme Court in chambers and thereafter the practice and procedure of the Supreme Court in effect on March 25th, 1964, shall apply to proceedings coming within this rule.
- 462B.—(1) Where an order has been made by a judge of a county or district court appointing a permanent committee or propounding a scheme of management or propounding a subsequent scheme not previously confirmed by a judge of the Supreme Court, the order shall be issued and filed forthwith in the office of the clerk of the said county or district court.
- (2) Unless the order has been appealed, the applicant shall lodge with the clerk of the said county or district court a notice of motion returnable before a judge in chambers at Toronto for an order confirming the appointment of the committee and the scheme of management and the clerk shall thereupon transmit the notice of motion, the order and all other papers filed in the proceedings to the Registrar of the Supreme Court at Toronto.
- (3) The notice of motion for confirmation shall be lodged with the clerk of the said county or district court at least ten days prior to the day upon which the motion is returnable.
- (4) Upon receipt of the notice of motion and supporting material the Registrar shall place the application on the list of cases for hearing and it shall not be necessary for counsel to appear in the first instance.
- (5) The order shall be considered by the presiding judge and if in his opinion it is proper to confirm the appointment of the committee and the scheme of management he shall confirm the same by so endorsing the notice of motion and an order prepared by the solicitor for the applicant shall be issued and entered in the Supreme Court and a copy thereof forthwith shall be filed with the clerk of the county or district court in which the proceedings were commenced.
- (6) Where the judge is not satisfied he shall state shortly his reasons therefor in writing and either direct an amendment to be made before an order is issued or adjourn the motion and direct the Registrar to give notice to the applicant of the adjourned hearing upon which counsel shall appear.

11. Rule 463 of Regulation 396 of Revised Regulations of Ontario, 1960, is revoked and the following substituted therefor:

463. Upon the death of a person who has been found mentally incompetent or mentally incapable under the provisions of *The Mental Incompetency Act* the accounts of his committee shall be passed by a judge of the county or district court in the county or district in which the proceedings are pending, or where

the matter has been referred to the Master, by the Master to whom the matter has been referred, upon notice to his executor or administrator, and, upon payment over to the executor or administrator of the balance found to be due by the judge or Master, as the case may be, and upon confirmation of the order or report, the bond given by the committee shall be handed over for cancellation.

12. Sub-rule (b) of rule 498 of Regulation 396 of Revised Regulations of Ontario, 1960, is amended by striking out "typewritten" and substituting therefor "legible".

13. Clauses (vi) and (vii) of sub-rule (b) of rule 498 of Regulation 396 of Revised Regulations of Ontario, 1960, are revoked and the following substituted therefor:

(vi) such of the exhibits filed as are documents or parts of documents and which are material to the hearing of the appeal, in order of the dates of such documents; provided however that documents having common characteristics may be arranged in separate groups in order of their dates, if any.

(vii) the evidence when not transcribed by a reporter.

14. Clause (viii) of sub-rule (b) of rule 498 of Regulation 396 of Revised Regulations of Ontario, 1960, is amended by striking out "due".

15. Sub-rule (c) of rule 498 of Regulation 396 of Revised Regulations of Ontario, 1960, is amended by striking out "stenographer" and substituting therefor "reporter".

16. Sub-rule (e) of rule 498 of Regulation 396 of Revised Regulations of Ontario, 1960, is revoked and the following substituted therefor:

(e) as soon as the record, exhibits, appeal book and evidence have been lodged with the Registrar,

(i) the appeal shall be deemed to be perfected, and

(ii) not later than five days after the appeal is perfected the appellant shall serve the other parties with a notice of the date upon which it was so perfected and file proof of such service, and

(iii) appeals in respect of which proof of service of notice of perfection have been filed on or before the 15th day of the month shall be placed upon the next monthly list of cases to be heard.

17. Sub-rule (f) of rule 498 of Regulation 396 of Revised Regulations of Ontario, 1960, as amended by Ontario Regulation 80/63 is amended by striking out "stenographer" and substituting therefor "reporter".

18. Sub-rule (h) of rule 498 of Regulation 396 of Revised Regulations of Ontario, 1960, is amended by striking out "judge or judges" and substituting therefor "judges or judge".

19. Sub-rules (1) and (2) of rule 501 of Regulation 396 of Revised Regulations of Ontario, 1960, are revoked and the following substituted therefor:

- (1) In an appeal to the Court of Appeal, from any judgment, order or decision the parties shall lodge with the Registrar five copies of a legible statement, and, in appeals from a division court one copy of such statement, of the points of law and fact intended to be

argued, including a list of cases intended to be cited, and such references to the evidence, by page and line, as may facilitate the argument.

- (2) Such statements shall be lodged and served upon the other parties not later than the 25th day of the month preceding the month in which the appeal is to be heard.

20. The note following rule 501 of Regulation 396 of Revised Regulations of Ontario, 1960, is amended by underlining "concise".

21. Sub-rules (4) and (5) of rule 502 of Regulation 396 of Revised Regulations of Ontario, 1960, are revoked and the following substituted therefor:

- (4) Where an appeal is not perfected within one year from the filing of the notice of appeal, unless otherwise ordered by the Court of Appeal or a judge thereof, it shall be deemed to be abandoned.

- (5)(a) In the three months following the abandonment of the appeal the Registrar may,

(i) upon the application of the respondent tax the costs of the abandoned appeal; and

(ii) issue a certificate dismissing the appeal.

- (b) After the expiration of the said three month period the Registrar shall return the papers to the office from which he received them.

22. Rule 522 of Regulation 396 of Revised Regulations of Ontario, 1960, is revoked and the following substituted therefor:

522.—(1) Every judgment and every order made in court, or in chambers, or issued on praecipe shall be entered at full length in the office in which the cause or matter was commenced.

- (2) Entry shall be made by,

(a) copying the order or judgment or inserting a facsimile thereof in the book kept for that purpose; or

(b) recording the order or judgment on microphotographic film; or

(c) any other process which shall be approved by the Chief Justice of Ontario.

23. Form 7 of the Appendix of Forms to Regulation 396 of Revised Regulations of Ontario, 1960, as amended by Ontario Regulation 80/63, is amended effective January 1st, 1965, by striking out the heading *Claims in Mortgage Actions* and all that part of the said form appearing between the said heading and the heading *Statement of Character of Parties*.

24. Form 8 of the Appendix of Forms to Regulation 396 of Revised Regulations of Ontario, 1960, is revoked and the following substituted therefor effective January 1st, 1965:

Form 8

SPECIALLY ENDORSED WRIT

(RULE 33)

In the Supreme Court of Ontario

Between

A.B.

Plaintiff

(Seal)

and

C.D. and E.F.

Defendants

Name and title of Sovereign

To C.D., of the.....of.....in theof.....and to E.F., of the..... of.....in the.....of.....

WE COMMAND YOU that within fifteen days after the service of this writ on you, inclusive of the day of such service, you do cause an appearance to be entered for you in this action AND WITHIN THE SAME TIME THAT YOU DO FILE AN AFFIDAVIT IN THE OFFICE IN WHICH YOUR APPEARANCE IS TO BE ENTERED, SHOWING THE NATURE OF YOUR DEFENCE (if any) TO THE PLAINTIFF'S CLAIM, AND THAT YOU DO FORTHWITH THEREAFTER SERVE A COPY OF SUCH AFFIDAVIT UPON THE PLAINTIFF'S SOLICITOR.

AND TAKE NOTICE that in default of your so doing, the plaintiff may sign judgment for the relief claimed as endorsed on this writ, and execution will at once issue thereon.

Where a claim not falling within the provisions of rule 33 is to be added to the specially endorsed claim add:

The above command being applicable only to that part of the plaintiff's claim that is specially endorsed.

WE FURTHER COMMAND YOU that, insofar as this writ is generally endorsed, within fifteen days after the service of this writ on you, inclusive of the day of such service, you do cause an appearance to be entered for you in this action: AND TAKE NOTICE that in default of your so doing, the plaintiff may proceed therein and judgment may be given in your absence on the plaintiff's own showing and you may be deemed to have admitted the plaintiff's claim and (subject to Rules of Court) will not be entitled to notice of any further proceedings herein.

IN WITNESS WHEREOF this writ is signed for the Supreme Court of Ontario by..... Registrar of the said Court at Toronto (or by..... Local Registrar of the said Court at.....) this.....day of....., 19.....

(signature of officer)

Memorandum to be subscribed on the Writ

N.B. This writ is to be served within twelve calendar months from the date thereof, or if renewed, within twelve calendar months from the date of such renewal, including the day of such date, and not afterwards.

Appearance may be entered at the..... office at.....

Endorsements to be made on the Writ

The plaintiff's claim is (as in Form 8A or as may be).

NOTE: In all cases of special endorsement, the specific claim shall be followed by this clause: "and the plaintiff further claims \$.....for costs".

WARNING TO DEFENDANT

This writ being specially endorsed, the defendant is warned that, in addition to entering appearance within the time limited, he must within the same time file an affidavit showing the nature of his defence to the plaintiff's claim, and forthwith thereafter serve a copy thereof upon the plaintiff's solicitor, and that in default judgment will be entered and execution issued.

If you pay the amount of the plaintiff's claim within the time limited for appearance, further proceedings will be stayed. If you deem the amount claimed for costs excessive, you may have them taxed.

Further endorsement to be made on the Writ within three days after service thereof.

This writ was served by me..... on C.D. (the defendant or one of the defendants) on.....the.....day of.....19....

This memorandum is made this.....day of....., 19....

(signature)
(address)

25. Form 8A is added to the Appendix of Forms to Regulation 396 of Revised Regulations of Ontario, 1960, effective January 1st, 1965, as follows:

Form 8A

SPECIAL ENDORSEMENTS ON WRITS OF SUMMONS

(RULE 33)

1. Claim for repayment of money lent [Rule 33 (1) (a)]

The plaintiff's claim is for money lent by the plaintiff to the defendant at his request and which is due and unpaid.

The following are the particulars:

Date To money lent by the plaintiff to the defendant and in respect of which the defendant gave to the plaintiff a written promise to pay (or I.O.U.) dated theday of....., 19.... \$

(If time fixed for repayment so state)

Interest thereon to the date hereof at the rate of...per cent per annum agreed to by the defendant in the said written promise.... \$
Amount due..... \$

The plaintiff also claims interest on the sum of \$.....at the rate aforesaid (or as the case may be) from the date hereof to the date of payment or judgment.

CERTIFICATE OF SOLICITOR

I believe the above claim is one which comes within the provisions of rule 33.

(signature of solicitor issuing writ, or plaintiff when he sues in person)

2. Claim for repayment of money lent for benefit of defendant [Rule 33 (1) (a)]

The plaintiff's claim is against the defendant for money due and owing on a loan made by the plaintiff for the benefit of the defendant.

The following are the particulars:

The plaintiff made a loan to the defendant of \$.....on the.....day of....., 19...., in accordance with an acknowledgment, signed by the defendant in favour of the plaintiff, and reading as follows: (for example)

"To: A.B.
150.....Ave.,
Toronto, Ontario.

This is to acknowledge accounts paid by you amounting to \$.....on behalf of development of international communications program.

Such amount is accepted as a loan from you to me repayable on or before the.....day of....., 19...., with interest at.....per cent per annum from the.....day of....., 19....
Date (Signed)....."C.D."....."

Date Amount due..... \$
Interest at the rate of.....per cent per annum from.....19.....
to.....19..... \$
Amount due..... \$

(If interest is claimed to date of payment or judgment, so state)

Add: CERTIFICATE OF SOLICITOR as in Claim 1

3. Claim for arrears of rent [Rule 33 (1) (a)]

The plaintiff's claim is against the defendant for arrears of rent under a written lease dated the....day of....., 19, made between..... and....., under which the plaintiff leased to the defendant the premises known as..... for a term of.....at a rental of \$.....per month (or as the case may be).

The following are the particulars (for example):
Rent for the months of.....at the rate of \$.....per..... \$

(If the plaintiff has made other payments, e.g., water rates, taxes, which the defendant was obligated to pay under the lease, give particulars)..... \$
 Amount due..... \$

Add: CERTIFICATE OF SOLICITOR as in Claim 1

4. Claim for price of goods sold and delivered [Rule 33 (1) (b)]

The plaintiff's claim is against the defendant for the price of goods sold and delivered to the defendant.

The following are the particulars: (for example)

Date 25 Automobile radios No. 5..... \$
 50 Automobile radios No. 6..... \$
 (If interest is claimed so state and give particulars)..... \$
 Amount due..... \$

(If interest is claimed to date of payment or judgment, so state)

Add: CERTIFICATE OF SOLICITOR as in Claim 1

5. Claim for balance due where there is a running account and invoices have been rendered [Rule 33 (1) (b)]

The plaintiff's claim (for example) is for the balance of the price of building materials sold and delivered to the defendant.

The following are the particulars:

Date		Debits	Credits	Balance
Jan. 1, 19....	Invoice No. 1050	\$ 270.00		\$ 270.00
Feb. 12, 19..	Invoice No. 1222	750.00		1020.00
Feb. 20, 19..	By cheque		\$500.00	520.00
Mar. 15, 19..	Invoice No. 2654	2888.00		3408.00
Apr. 12, 19..	Invoice No. 2960	1192.00		4600.00
April 15, 19..	By cheque		500.00	4100.00
	(If interest is claimed so state and give particulars)			
	Balance due....			<u>\$4100.00</u>

Full particulars of the said merchandise are contained in the above invoices which have been delivered or sent to the defendant.

(If interest is claimed to date of payment or judgment, so state)

Add: CERTIFICATE OF SOLICITOR as in Claim 1

6. Claim for price of work done [Rule 33 (1) (c)]

The plaintiff's claim is against the defendant for the price of work done.

The following are the particulars: (for example)

The plaintiff entered into a written (or oral) agreement with the defendant on (or about) the.....day of....., 19...., to supply the services of a bulldozer and operator to grade the property located at.....in the City of.....at the

rate of \$.....per hour. The following work was done pursuant to the said agreement:

(Set out particulars of amount of work done)

(If interest is claimed so state and give particulars)..... \$
 Amount due..... \$

An account for the said sum was rendered to the defendant on the.....day of....., 19....

(If interest is claimed to date of payment or judgment, so state)

Add: CERTIFICATE OF SOLICITOR as in Claim 1

7. Claim by payee against maker of a promissory note [Rule 33 (1) (d)]

The plaintiff's claim is against the defendant as maker of a promissory note of which the plaintiff is the holder.

The following are the particulars: (for example)

Promissory note for \$.....dated the.....day of....., 19...., made by the defendant payable to the plaintiff six months after date.

Date Principal..... \$
 Interest (Set out particulars of interest to date of maturity, if any, and to date of writ)..... \$
 Amount due..... \$

(If interest is claimed to date of payment or judgment, so state)

Add: CERTIFICATE OF SOLICITOR as in Claim 1.

8. Claim by payee against maker of a promissory note payable by instalments with default clause [Rule 33 (1) (d)]

The plaintiff's claim is against the defendant as maker of a promissory note of which the plaintiff is the holder.

The following are the particulars: (for example)

Promissory note for \$.....dated the.....day of....., 19...., made by the defendant payable to the plaintiff by instalments of \$.....

on the.....day of each succeeding month, subject to the condition that if default should be made in payment of any of the said instalments, the whole of the said sum of \$.....remaining unpaid at the time of the default should become immediately due and payable. The defendant paid the first three instalments but failed to pay the instalment due on the

.....day of....., 19...., or any part thereof on the due date or at all.

Date Principal..... \$
 Interest (Set out particulars of interest to date of maturity, if any, and to date of writ)..... \$
 Amount due..... \$

(If interest is claimed to date of payment or judgment, so state)

Add: CERTIFICATE OF SOLICITOR as in Claim 1.

9. Claim by endorsee against maker of a promissory note [Rule 33 (1) (d)]

The plaintiff's claim is against the defendant as maker of a promissory note of which the plaintiff is the holder.

The following are the particulars: (for example)

Promissory note for \$.....dated the.....

day of....., 19....., made by the defendant payable to G.H. or order six months after date, endorsed and delivered by the payee G.H. to the plaintiff.

Date	Principal.....	\$
	Interest (Set out particulars of interest to date of maturity, if any, and to date of writ).....	\$
	Amount due.....	\$

(If interest is claimed to date of payment or judgment, so state)

Add: CERTIFICATE OF SOLICITOR as in Claim 1.

10. Claim by endorsee against endorser of promissory note [Rule 33 (1) (d)].

The plaintiff's claim is against the defendant as endorser of a promissory note of which the plaintiff is the holder.

The following are the particulars: (for example)

Promissory note for \$.....dated the.....

day of....., 19....., made by G.H. payable to the defendant or order six months after date, which note was endorsed by the defendant to the plaintiff. The said note was duly presented for payment and was dishonoured of which the defendant had due notice in writing.

Date	Principal.....	\$
	Interest (Set out particulars of interest to date of maturity, if any, and to date of writ).....	\$
	Amount due.....	\$

(If interest is claimed to date of payment or judgment, so state)

Add: CERTIFICATE OF SOLICITOR as in Claim 1.

11. Claim by endorsee against acceptor and drawer of a bill of exchange severally [Rule 33 (1) (d)].

The plaintiff's claim as holder is against the defendant C.D. as acceptor and against the defendant E.F. as drawer of a bill of exchange.

The following are the particulars: (for example)

Bill of exchange for \$.....dated the.....

day of....., 19....., drawn by the defendant E.F. and accepted by the defendant C.D. and payable three months after date and endorsed by the defendant E.F. to the plaintiff, of the dishonour of which on presentation the defendant E.F. had notice.

Date	Principal.....	\$
	Interest (Set out particulars of interest to date of maturity, if any, and to date of writ).....	\$
	Amount due.....	\$

(If interest is claimed to date of payment or judgment, so state)

Add: CERTIFICATE OF SOLICITOR as in Claim 1.

12. Claim by payee against drawer of cheque [Rule 33 (1) (d)].

The plaintiff's claim is against the defendant as drawer of a cheque.

The following are the particulars:

Cheque for \$.....dated the.....day of.....

....., 19....., drawn by the defendant upon the X.Y. Bank payable to the plaintiff, which cheque was duly presented for payment on the.....

day of....., 19....., but dishonoured.

Date	Principal.....	\$
	Interest (if such is claimed).....	\$
	Amount due.....	\$

(If interest is claimed to date of payment or judgment, so state)

Add: CERTIFICATE OF SOLICITOR as in Claim 1.

13. Claim on settled account [Rule 33 (1) (e)].

The plaintiff's claim is against the defendant on an account settled, in writing, between them.

The following are the particulars:

Date	Balance found to be due from the defendant to the plaintiff on an account settled, in writing, between them and dated the...day of....., 19..	\$
	Interest (set out particulars).....	\$
	Amount due.....	\$

(If interest is claimed to date of payment or judgment, so state)

Add: CERTIFICATE OF SOLICITOR as in Claim 1.

14. Claim for amount due under a covenant in a mortgage [Rule 33 (1) (f)].

The plaintiff's claim is against the defendant for the amount due under a covenant for payment contained in a mortgage.

The following are the particulars:

Mortgage dated the.....day of.....

19....., made between.....and..... (if the mortgage has been assigned give particulars) under which the defendant (or as the case may be) mortgaged the lands hereinafter described for a term of

.....years securing the sum of \$.....and

interest thereon at the rate of.....per cent per annum, and which mortgage provided for payment of principal and interest as follows: (set out terms of payment)

Default in payment of an instalment of principal and interest (or as the case may be) occurred on the.....day of....., 19....., and still continues, and the plaintiff claims payment of the amount due under the said mortgage.

Principal.....	\$
(If so, Taxes paid.....)	\$
Insurance premiums paid.....	\$
or other matters)	
Interest (set out particulars).....	\$
Amount due.....	\$

And the plaintiff also claims interest at the rate aforesaid upon the said sum of \$.....from the date hereof to date of payment or judgment.

The following is a description of the mortgaged premises:

(Set out description sufficient to identify the said lands)

Add: CERTIFICATE OF SOLICITOR as in Claim 1.

15. Claim for debt due under bond or other covenant [Rule 33 (1) (f)].

The plaintiff's claim is against the defendant for principal and interest due under a..... (describe instrument).

The following are the particulars: (for example)

Deed, (or Bond) dated the.....day of.....,

19...., under which the defendant covenanted to pay to the plaintiff (or if a bond, conditioned for payment of) the sum of \$.....and interest (set out particulars).

Date Principal.....	\$
Interest (Set out particulars).....	\$
Amount due.....	\$

(If interest is claimed to date of payment or judgment, so state)

Add: CERTIFICATE OF SOLICITOR as in Claim 1.

16. Claim on a foreign judgment [Rule 33 (1) (g)].

The plaintiff's claim is against the defendant for money due on a judgment.

The following are the particulars:

The plaintiff recovered judgment dated the..... day of....., 19...., against the defendant in an action in the.....Court ofin the.....of.....

Date Judgment debt.....	\$
Interest thereon at the rate of..... per cent per annum from date of judgment to the date hereof.....	\$
Amount due.....	\$

The plaintiff also claims interest at the rate ofper cent per annum on the sum of \$..... to the date of payment or judgment.

Add: CERTIFICATE OF SOLICITOR as in Claim 1.

17. Claim under s. 18 of The Mortgages Act [Rule 33 (1) (h)].

The plaintiff's claim is to recover against the defendant being the present owner of the equity of redemption payment of the amount due under the

covenant of.....(the mortgagor) contained in a mortgage dated the.....day of....., 19...., which the said defendant by virtue of s. 18 of The Mortgages Act became personally liable to pay to the plaintiff by reason of the conveyance and transfer of the mortgaged premises from the said.....

(mortgagor) under a deed dated the.....day of , 19...., wherein it was expressly provided (or under which it was implied) that the said defendant would indemnify the said..... (mortgagor) against any claims made against the said mortgagor under the said covenant.

The following are the particulars:

Mortgage dated the.....day of.....,

19...., made between.....and.....

(if the mortgage has been assigned give particulars)

under which.....mortgaged the lands

hereinafter described for a term of.....years securing

the sum of \$..... and interest thereon at the

rate of.....per cent per annum, and which mortgage provided for payment of principal and interest as follows: (set out terms of payment)

Default in payment of an instalment of principal and interest (or as the case may be) occurred on the.....

day of....., 19...., and still continues, and the plaintiff claims payment of the amount due under the said mortgage.

Principal.....	\$
(If so, Taxes paid.....)	\$
Insurance premiums paid.....	\$
or other matters)	
Interest (Set out particulars).....	\$
Amount due.....	\$

The plaintiff also claims interest at the rate aforesaid upon the said sum of \$..... from the date hereof to the date of payment or judgment.

The following is a description of the mortgaged premises:

(Set out description sufficient to identify the said lands)

Add: CERTIFICATE OF SOLICITOR as in Claim 1.

18. Claim against a guarantor of a promissory note [Rule 33 (1) (i)].

The plaintiff's claim is against the defendant on a guarantee for payment of a promissory note.

The following are the particulars: (for example)

Guarantee in writing dated the.....day of

....., 19...., and under seal (or if not under seal set out consideration) whereby the defendant guaranteed the due payment of a promissory note for

\$..... dated the.....day of.....,

19...., made by G.H., payable to the plaintiff six months after date, together with interest on such

amount at.....per cent per annum from the date of default of the said G.H. until payment. G.H. failed to pay the said note on the due date, and the plaintiff claims payment thereof by the defendant under his guarantee.

Amount of promissory note..... \$
Interest (Set out particulars)..... \$
Amount due..... \$

The plaintiff claims interest at the rate aforesaid on the sum of \$.....from the date hereof to the date of payment or judgment.

Add: CERTIFICATE OF SOLICITOR as in Claim 1.

19. Claim against a guarantor on a guarantee for future advances [Rule 33 (I) (i)].

The plaintiff's claim is against the defendant on a guarantee.

The following are the particulars: (for example)

Guarantee in writing dated the.....day of....., 19...., under seal (or if not under seal set out consideration) whereby the defendant guaranteed the due payment of all advances made by the plaintiff to G.H., together with interest, provided that the total amount recoverable from the defendant should not exceed \$....., together with interest

on such amount at..... per cent per annum from date of default of G.H. until payment.

Amount of advances and interest, full particulars of which were delivered in writing to the defendant dated the

.....day of....., 19.... \$
(or if particulars have not been supplied set out particulars of advances and interest)..... \$

(If interest is claimed to date of payment or judgment, so state)

Add: CERTIFICATE OF SOLICITOR as in Claim 1.

20. Claim against a guarantor for the price of goods sold [Rule 33 (I) (i)].

The plaintiff's claim is against the defendant on a guarantee for the price of goods sold and delivered.

The following are the particulars:

Guarantee in writing dated the.....day of....., 19...., under seal (or if not under seal set out consideration) whereby the defendant guaranteed the due payment of the price of goods sold and delivered by the plaintiff to G.H.

(Set out particulars of goods sold and amount claimed)..... \$

(If interest is claimed to date of payment or judgment, so state)

Add: CERTIFICATE OF SOLICITOR as in Claim 1.

21. Claim for possession of mortgaged land [Rule 33 (I) (j)].

The plaintiff's claim is on a mortgage dated the.....day of....., 19...., made between

.....and.....(if the mortgage has been assigned give particulars) under which the defendant (or as the case may be) mortgaged the lands

hereinafter described for a term of.....years securing the sum of \$..... and interest thereon at the

rate of.....per cent per annum, and which mortgage provided for payment of principal and interest as follows: (set out terms of payment)

Default in payment of an instalment of principal and interest (or as the case may be) occurred on the

.....day of....., 19...., and still continues, and the plaintiff claims possession of the said lands.

The following is a description of the mortgaged premises:

(Set out a description sufficient to identify the lands)

Add: CERTIFICATE OF SOLICITOR as in Claim 1.

22. Claim for possession of land or premises [Rule 33 (I) (j)].

The plaintiff's claim is to recover possession of certain premises (or land and premises and set out description sufficient to identify the lands or premises) which was leased to the defendant by the plaintiff

under a written lease dated the.....day of....., 19...., for a term of.....years, from the.....day

of....., 19...., which term has expired (or as the case may be).

The plaintiff also claims \$..... for mesne profits.

Add: CERTIFICATE OF SOLICITOR as in Claim 1.

23. Claim for recovery of possession of goods or chattels [Rule 33 (I) (k)].

The plaintiff's claim is to recover possession of the following goods unlawfully detained by the defendant, of which the plaintiff is the owner and lawfully entitled to possession.

The following are the particulars:

(State basis of claim that plaintiff is the owner and set out description of goods. Where the plaintiff's claim is to recover possession of chattels forming a security for money, particulars are to be given including the default under which the plaintiff's right to possession arises.)

Add: CERTIFICATE OF SOLICITOR as in Claim 1.

24. Claim by mortgagee for sale, immediate payment and possession [Rules 33 (I) (l) and 464].

The plaintiff's claim is on a mortgage dated the.....day of....., 19...., made between

.....and.....and registered (Give particulars of registration. If the mortgage has been assigned give particulars) under which the defendant (or as the case may be) mortgaged the lands

hereinafter described for a term of.....years, securing the sum of \$.....and interest thereon at the rate

of.....per cent per annum, and which mortgage provides for payment of principal and interest as follows: (set out terms of payment)

Default in payment of an instalment of principal and interest (or as the case may be) occurred on theday of....., 19...., and still continues, and the plaintiff claims that the mortgage may be enforced by sale, (where desired add and payment to the plaintiff by the defendant personally of any balance).

If immediate payment is desired add, And to recover from you the defendant (naming the defendant against whom the relief is claimed) payment of the amount due under a covenant by you in that behalf contained in said mortgage.

(Or where the plaintiff claims payment from the transferee of the equity of redemption vary form by incorporating appropriate parts of Claim 17.)

If immediate possession is desired add, And to recover immediate possession of the mortgaged premises,

And take notice that the plaintiff claims that there is now due for principal money the sum of \$..... (if so add, and for taxes paid [or premiums of insurance paid or other matters] the sum of \$.....) and for interest the sum of \$..... and that you are liable to be charged with these sums, with subsequent interest to be computed at the rate of..... per cent per annum, and the costs in and by the judgment to be drawn up, and that judgment for an immediate sale of your interest in the mortgaged premises may be entered unless you desire an opportunity to redeem the mortgaged premises and before the expiration of the time allowed you for appearance you do file in the office within named and serve a memorandum in writing entitled in this action and signed by yourself or your solicitor to the following effect: "I desire an opportunity to redeem the mortgaged premises", and give an address for service, in which case you will be entitled to four days' notice of the taking of the account of the amount due to the plaintiff and in default of payment of the amount found due within six calendar months from the time of the taking of the account and the drawing up of the judgment your interest in the mortgaged premises may be sold.

The following is a description of the mortgaged premises: (Set out description sufficient for registration).

Add: CERTIFICATE OF SOLICITOR as in Claim 1.

25. Claim by a mortgagee for foreclosure, immediate payment and possession [Rules 33 (1) (l) and 464].

The plaintiff's claim is on a mortgage dated theday of....., 19...., made betweenand.....and registered (Give particulars of registration. If the mortgage has been assigned, give particulars) under which the defendant (or as the case may be) mortgaged the lands hereinafter described for a term of.....years, securing the sum of \$.....and interest thereon at the rate of.....per cent per annum, and which mortgage provided for payment of principal and interest as follows: (set out terms of payment)

Default in payment of an instalment of principal and interest (or as the case may be) occurred on theday of....., 19...., and still continues, and the plaintiff claims that the mortgage may be enforced by foreclosure.

If immediate payment is desired add, And to recover from you the defendant (naming the defendant against whom the relief is claimed) payment of the amount due under a covenant by you in that behalf contained in said mortgage.

(Or where the plaintiff claims payment from the transferee of the equity of redemption vary form by incorporating appropriate parts of Claim 17.)

If the order for immediate possession is desired add, And take notice further that the plaintiff claims to be entitled to recover immediate possession of the mortgaged premises.

And take notice that the plaintiff claims that there is now due for principal money the sum of \$..... (if so, add, and for taxes paid [or premiums of insurance paid or other matters] the sum of \$.....) and for

interest the sum of \$..... and that you are liable to be charged with these sums, with subsequent

interest to be computed at the rate of.....per cent per annum, and the costs in and by the judgment to be drawn up, and that judgment for immediate foreclosure of your interest in the mortgaged premises may be entered unless you desire an opportunity to redeem the mortgaged premises and before the expiration of the time allowed you for appearance you do file in the office within named and serve a memorandum in writing entitled in this action and signed by yourself or your solicitor to the following effect: "I desire an opportunity to redeem the mortgaged premises", and give an address for service, in which case you will be entitled to four days' notice of the taking of the account of the amount due to the plaintiff and in default of payment of the amount found due within six calendar months from the time of the taking of the account and the drawing up of the judgment your interest in the mortgaged premises may be foreclosed.

If you desire a sale of the mortgaged premises instead of a foreclosure and do not intend to defend the action, you must, within the time allowed for appearance, file in the office within named, a memorandum in writing entitled in this action and signed by yourself, or your solicitor, to the following effect: "I desire a sale of the mortgaged premises in the plaintiff's writ of summons mentioned, or a competent part thereof, instead of a foreclosure", and you must deposit in the Court to the credit of this action the sum of \$80 to meet the expenses of such sale and attach to the said memorandum a certificate of the Accountant of the Supreme Court to the effect that such deposit of \$80 has been made.

The following is a description of the mortgaged premises. (Set out description sufficient for registration.)

Add: CERTIFICATE OF SOLICITOR as in Claim 1.

26. Claim for redemption of mortgaged premises [Rule 33 (1) (l)].

The plaintiff's claim is to have an account taken of what, if anything, is due on a mortgage dated theday of....., 19...., made betweenand..... (Give particulars of registration) and to redeem the mortgaged premises comprised therein.

(Set out grounds of action)

The following is a description of the mortgaged premises (Set out description sufficient for registration).

Add: CERTIFICATE OF SOLICITOR as in Claim 1.

26. Form 25 of the Appendix of Forms to Regulation 396 of Revised Regulations of Ontario, 1960, is revoked and the following substituted therefor:

Form 25

THIRD PARTY NOTICE

(RULE 167)

COURT

BETWEEN:

A.B.

Plaintiff

(seal)

and

C.D.

Defendant

and

E.F.

Third Party

Name and title of Sovereign

To: E.F. of the of

in the of

TAKE NOTICE that the plaintiff has commenced an action against the defendant for the relief set out in the statement of claim (or in the special endorsement of the writ of summons as the case may be);

AND FURTHER TAKE NOTICE that the defendant disputes the plaintiff's claim on the grounds appearing in his statement of defence (or affidavit of merits as the case may be) and in the event that the defendant is held liable to the plaintiff, the defendant claims to be entitled to relief over against you on the grounds set out in the following statement of claim:

STATEMENT OF CLAIM OF DEFENDANT AGAINST THIRD PARTY

Set out concisely in numbered paragraphs a statement of the material facts and the relief claimed.

AND FURTHER TAKE NOTICE THAT WE COMMAND YOU that if you desire to dispute your liability to the defendant, or the plaintiff's claim in the action as against the defendant, within fifteen days after service on you of this notice you shall,

- (1) cause an appearance to be entered for you to this notice; and
(2) deliver your statement of defence to the above statement of claim of the defendant to be entitled STATEMENT OF DEFENCE OF THIRD PARTY OF CLAIM OF THE DEFENDANT; and
(3) if so advised, also deliver a statement of defence to the plaintiff's statement of claim to be entitled STATEMENT OF DEFENCE OF THIRD PARTY TO THE STATEMENT OF CLAIM OF THE PLAINTIFF.

(Where the action was commenced by a specially endorsed writ the above command shall be so worded as to require the entry of an appearance only.)

AND FURTHER TAKE NOTICE that in default of your so appearing (and where the action was commenced by a writ of summons not specially endorsed, add and delivering a statement of defence to the statement of claim of the defendant) you will be deemed to admit the validity of any judgment obtained against the defendant, your own liability to contribute or indemnify to the extent herein claimed, which may be summarily enforced against you.

IN WITNESS WHEREOF this notice is signed for the Supreme Court of Ontario by.....
Registrar of the said Court at Toronto [or by.....
Local Registrar of the said Court at.....]
this.....day of....., 19....

(signature of officer)

Appearance may be entered at the.....
office.....

Endorsement to be made on the Notice within three days after service thereof

This Notice was served by me,.....,
on E.F. (the third party) on....., the.....day
of....., 19....

This memorandum is made this.....day of
....., 19....

(signature)

(address)

27. Form 95 of the Appendix of Forms to Regulation 396 of Revised Regulations of Ontario, 1960, is revoked and the following substituted therefor:

Form 95

JUDGMENT IN DEFAULT OF DEFENCE IN ACTION FOR RECOVERY OF LAND WITH DAMAGES

(RULE 42)

No statement of defence having been delivered, it is this day adjudged that the plaintiffs recover possession of the land in the statement of claim herein mentioned, being..... (describing the land) and costs to be taxed, and it is further adjudged that the plaintiffs recover against the defendant damages to be assessed.

28. Form 96 of the Appendix of Forms to Regulation 396 of Revised Regulations of Ontario, 1960, is amended by inserting "being..... (describing the land)" immediately after "mentioned," so that the form shall read as follows:

Form 96

JUDGMENT WHERE DEFENDANT LIMITS DEFENCE TO PART OF LAND CLAIMED

(RULE 55)

The defendant, C.D., having by his appearance limited his defence to part of the land claimed, that is to say: (etc., etc.), it is this day adjudged that the said plaintiff do recover possession of the land in the writ [or statement of claim] mentioned, being..... (describing the land) other than the land so claimed by the defendant, with the appurtenances and costs to be taxed [or \$. for costs].

29. Form 97 of the Appendix of Forms to Regulation 396 of Revised Regulations of Ontario, 1960, is amended by inserting "being..... (describing the land)" immediately after "action", so that the form shall read as follows:

Form 97

JUDGMENT OF SEISIN FOR DOWER IN DEFAULT OF APPEARANCE

(RULE 40)

The defendant not having appeared to the writ of summons, it is this day adjudged that the plaintiff do have seisin of her third part or dower in the lands

in question in this action, being..... (describing the land) and that the same be forthwith delivered to her and set out by metes and bounds.

(If damages are claimed, add: And it is further adjudged that the plaintiff do recover against the defendant damages to be assessed.)

30. Form 98 of the Appendix of Forms to Regulation 396 of Revised Regulations of Ontario, 1960, is amended by inserting "being..... (describing the chattels)" immediately after "mentioned," so that the form shall read as follows:

Form 98

FINAL JUDGMENT IN DEFAULT OF APPEARANCE OR DEFENCE, RECOVERY OF CHATTELS

(RULE 38)

The Defendants [or the defendant, C.D.] not having appeared herein [or not having delivered any statement of defence], it is this day adjudged that the plaintiff do recover against the defendant [or that the said defendant do forthwith deliver to the plaintiff] possession of the chattels in the writ [or statement of

claim] mentioned, being..... (describing the chattels) and do also recover against the

said defendant his costs to be taxed [or \$. for costs].

31. Item 12A is added to Tariff "A" relating to fees to be allowed Solicitors in the Supreme Court as included in Regulation 396 of Revised Regulations of Ontario, 1960, as follows:

12A. Application for confirming of an order or report in a mental incompetency proceedings, where counsel are not required to attend:	
Application.....	25.00
Order.....	10.00

32. Item 26 of Tariff "B", relating to disbursements payable in the Supreme Court, included in Regulation 396 of Revised Regulations of Ontario, 1960, is revoked and the following substituted therefor:

26. Making up and forwarding papers, documents and exhibits (postage or carriage charges to be paid extra on the excess over five pounds)..... 2.00

33. Item 20 of Tariff "B" relating to disbursements payable in a county or district court, included in Regulation 396 of Revised Regulations of Ontario, 1960, is revoked and the following substituted therefor:

20. On appeal from county court to Supreme Court (including making up and forwarding papers, documents and exhibits preparing certificate and entry of judgment of Court of Appeal)..... 4.00

Disbursements for express or postage charges to be added on the excess over five pounds.

(958)

30

THE INSURANCE ACT

O. Reg. 181/64.

Extension of Provisions of Act.

Made—July 9th, 1964.

Filed—July 14th, 1964.

REGULATION MADE UNDER THE INSURANCE ACT

EXTENSION OF PROVISIONS OF ACT

1.—(1) In this Regulation, "mortgage insurance" means insurance against loss caused by default on the part of a borrower under a loan secured by a mortgage upon real property, a hypothec upon immovable property or an interest in real or immovable property.

(2) The provisions of the Act that are not confined in their application to one or more specified classes of insurance are extended to apply to mortgage insurance.

(959)

30

THE LOAN AND TRUST CORPORATIONS ACT

O. Reg. 182/64.

Approved Trust Companies.

Made—July 16th, 1964.

Approved—July 17th, 1964.

REGULATION MADE UNDER THE LOAN AND TRUST CORPORATIONS ACT

1. The Schedule to Regulation 413 of Revised Regulations of Ontario, 1960, as amended by Ontario Regulations 4/62, 51/62, 88/63, 146/63, 187/63 and 10/64, is revoked and the following substituted therefor:

Schedule

1. Administration and Trust Company
2. British Mortgage & Trust Company
3. Canada Permanent Trust Company
4. The Canada Trust Company
5. Crown Trust Company
6. Eastern & Chartered Trust Company
7. Guaranty Trust Company of Canada
8. Halton & Peel Trust & Savings Company
9. Hamilton Trust and Savings Corporation
10. Investors Trust Company
11. The Industrial Mortgage and Trust Company
12. The Lambton Trust Company, Limited

13. Mercantile Trust Company
14. The Metropolitan Trust Company
15. Montreal Trust Company
16. National Trust Company, Limited
17. Northland Trust Company
18. The Premier Trust Company
19. The Royal Trust Company
20. The Sterling Trusts Corporation
21. Victoria and Grey Trust Company
22. The Waterloo Trust and Savings Company
23. York Trust and Savings Corporation

(991)

30

THE PROVINCIAL PARKS ACT

O. Reg. 183/64.

Designation of Parks.

Made—July 16th, 1964.

Filed—July 17th, 1964.

REGULATION MADE UNDER THE PROVINCIAL PARKS ACT

1. Appendix B to Regulation 498 of Revised Regulations of Ontario, 1960, as amended by Ontario Regulations 117/63, 206/63, 110/64 and 161/64, is further amended by adding thereto the following Schedule:

Schedule 56

KILLARNEY PROVINCIAL PARK

In the geographic townships of Goschen, Roosevelt and Stalin, in the Territorial District of Sudbury and in the geographic townships of Carlyle and Killarney, in the Territorial District of Manitoulin, described as follows:

Beginning at the northwesterly corner of the geographic Township of Rutherford, in the Territorial District of Manitoulin; thence easterly along the northerly boundary of the said geographic Township of Rutherford to the northeasterly corner thereof; thence southerly along the easterly boundary of the said geographic Township of Rutherford to the confluence with the water's edge on the northerly shore of Collins Inlet of Georgian Bay; thence in a general easterly direction following the water's edge on the northerly shore of Collins Inlet to its intersection with the easterly boundary of the geographic Township of Killarney; thence northerly along the easterly boundary of the said geographic Township of Killarney to the intersection with a line drawn west astronomically from the water's edge on the most southwesterly extremity of Carlyle Lake; thence east astronomically to the water's edge on the most southwesterly extremity of Carlyle Lake; thence in a general northeasterly and northerly direction following the water's edge on the northerly shores of Carlyle Lake and the westerly shores of Johnnie Lake to the intersection with a line drawn south astronomically from a point in the northerly boundary of the geographic Township of Carlyle distant 3 miles and 10 chains measured easterly thereon from the northwesterly corner of the said geographic Township of Carlyle; thence north astronomically 12 chains, more or less, to the northerly boundary of the said

geographic Township of Carlyle; thence continuing north astronomically 2 miles and 40 chains to a point in the geographic Township of Goschen, in the Territorial District of Sudbury; thence westerly in a straight line to a point in the westerly boundary of the geographic Township of Roosevelt distant 2 miles and 40 chains measured northerly thereon from the southwesterly corner of the said geographic Township of Roosevelt; thence southerly along the westerly boundary of the said geographic Township of Roosevelt to the southwesterly corner thereof; thence continuing southerly along the meridian line surveyed by T. N. Molesworth, Provincial Land Surveyor, in 1857, a distance of 76 chains, more or less, to a point in the water's edge on the northerly shore of the North Channel of McGregor Bay of Georgian Bay; thence in a general easterly, southerly, southwesterly and southerly direction following the water's edge on the northerly and easterly shores of the North Channel and the East Channel of McGregor Bay to the confluence with the water's edge on the easterly shore of McGregor Bay, east of East Sampson Island; thence in a general easterly direction following the water's edge on the northerly shore of McGregor Bay to the confluence with the water's edge on the northerly shore of Kirk Creek; thence in a general easterly direction following the water's edge on the northerly shore of Kirk Creek to the intersection with a line drawn north astronomically from a point distant 66 chains measured west astronomically from the point of beginning; thence south astronomically 1 mile and 56 chains, more or less, to the water's edge on the northerly shore of Narrow Bay of Georgian Bay; thence in a general northeasterly direction following the water's edge on the northerly shore of Narrow Bay to the intersection with a line drawn north astronomically from the point of beginning; thence south astronomically 1 mile and 75 chains, more or less, to the point of beginning.

Excepting therefrom the right of way of the King's Highway known as No. 637 and the lands granted before the 1st day of July, 1964.

(992)

30

THE GAME AND FISH ACT, 1961-62

O. Reg. 184/64.

Fire-Arms.

Made—July 16th, 1964.

Filed—July 17th, 1964.

REGULATION MADE UNDER THE GAME AND FISH ACT, 1961-62

FIRE-ARMS

1. No person shall carry or discharge a fire-arm, other than a long-bow or a cross-bow, for the purpose of hunting on a Sunday, in any county, the Territorial District of Muskoka or Parry Sound, or that part of the Territorial District of Nipissing, comprising the geographic townships of Boulter, Chisholm, Dickens, Lyell, Murchison and Sabine, the parts of the geographic townships of Airy and Clancy lying south of the southerly boundary of Algonquin Provincial Park and the parts of the geographic townships of Ballantyne, Butt, Finlayson, McCraney and Paxton lying west of the westerly boundary of Algonquin Provincial Park.

2. Ontario Regulation 141/63 is revoked.

(993)

30

Publications Under The Regulations Act

August 1st, 1964

Editorial Error

The Game and Fish Act, 1961-62

The Regulation published in the July 18th, 1964 issue of *The Ontario Gazette* on page 195 (foot pagination) as "O. Reg. 174/63" should read "O. Reg. 174/64".

(1021) 31

THE RADIOLOGICAL TECHNICIANS ACT, 1962-63.

O. Reg. 185/64.

General.

Made—July 6th, 1964.

Approved—July 16th, 1964.

Filed—July 20th, 1964.

NOTE: *This Regulation does not come into operation until the 1st day of August, 1964, on which date The Radiological Technicians Act, 1962-63 is proclaimed in force. See Statutes of Ontario, c. 122, s. 15.*

REGULATION MADE UNDER THE RADIOLOGICAL TECHNICIANS ACT, 1962-63

GENERAL

1. A candidate for admission to a course of training for radiological technicians prescribed by section 2 shall be the holder of,

- (a) The Ontario Secondary School Graduation Diploma of the General Course with at least four options of which two shall be mathematics and science or agricultural science; or
- (b) equivalent standing as determined by the Minister of Education.

2. The courses of training for radiological technicians shall be based on the Syllabus of the Canadian Society and shall comprise,

- (a) a course of training in Diagnostic Radiological Technique consisting of,
 - (i) instruction in each of the subjects in column 1 of Schedule 1 for at least the time set opposite each subject in column 2,
 - (ii) clinical experience and training in each of the types of examinations in column 1 of Schedule 2 in at least the number of examinations set opposite each type in column 2 and for at least the time set opposite each type in column 3, and
 - (iii) practical experience of the types referred to in column 1 of Schedule 3 for at least the time set opposite each type in column 2; or

(b) a course of training in Therapeutic Radiological Technique consisting of,

- (i) instruction in each of the subjects in column 1 of Schedule 4 for at least the time set opposite each subject in column 2,
- (ii) clinical experience and training in the types of treatments in column 1 of Schedule 5 in at least the number of cases in column 2, for at least the time in column 3 and with the type of radiation in column 4, and
- (iii) practical experience of the types referred to in column 1 of Schedule 6 for at least the time set opposite each type in column 2,

under the direction of a radiologist and supervised by a registered radiological technician at a training school approved by the Board on or before the 1st day of August, 1964.

3.—(1) The Board, at least twice a year and at such times and places as the Board deems necessary, shall conduct or cause to be conducted examinations for candidates for registration who are in attendance at or graduates of courses for radiological technicians.

(2) A candidate for registration who is in attendance at or is a graduate of a course of training for radiological technicians prescribed under section 2 shall apply in writing to the registrar at least sixty days before the examinations are to be held and shall submit with his application,

- (a) proof, in form satisfactory to the registrar, of completion of the course of training prescribed under section 2; and
- (b) the examination fee of \$20.

(3) Where the Board is satisfied with an application under subsection 2, it shall direct the registrar to notify the candidate of the date, time and place of the examinations.

4. Where a person referred to in subsection 2 of section 3 has tried the examinations under subsection 1 of section 3 and has,

- (a) failed in not more than two subjects; or
- (b) failed in more than two subjects,

the person may, upon paying the supplemental examination fee of \$20 and notifying the registrar at least sixty days before the date of the supplemental examination, try at the supplemental examination,

- (c) in the case of a person referred to in clause a, the subject or subjects in which he has failed; or
- (d) in the case of a person referred to in clause b, all the examination subjects,

but no person shall try an examination in any one subject more than three times.

5.—(1) A person referred to in subsection 2 of section 3 who has,

- (a) passed the examinations under subsection 1 of section 3; or

- (b) passed the supplemental examinations referred to in clauses *c* and *d* of section 4,

shall apply for registration in Form 3 and pay the registration fee of \$12.

(2) A person referred to in clause *a* or *b* of subsection 1 of section 5 of the Act shall apply for registration in Form 3.

6.—(1) The Board, within one year from the 1st day of August, 1964 and at such places as the Board deems necessary, shall conduct or cause to be conducted for persons referred to in clause *c* of subsection 1 of section 5 of the Act examinations based on the Radiobiology and Protection portion of the Syllabus of the Canadian Society.

(2) A person referred to in clause *c* of subsection 1 of section 5 of the Act shall apply in writing to the registrar within one year from the 1st day of August, 1964 and at least sixty days before the examinations are to be held and shall submit with his application,

- (a) two letters testifying to his good moral character;
- (b) proof, in form satisfactory to the Board, that he has been practising in Ontario as a radiological technician under a legally qualified medical practitioner for a period of five years before the 1st day of August, 1964; and
- (c) pay the examination fee of \$25.

(3) Where the Board is satisfied with an application under subsection 2, it shall direct the registrar to notify the candidate of the date, time and place of the examination.

(4) Where a person referred to in clause *c* of subsection 1 of section 5 of the Act has tried the examination under subsection 1 and has failed the examination the person may, upon paying the supplementary examination fee of \$20 and notifying the Board at least sixty days before the date of the supplemental examination, try the supplemental examination, but no person shall try the examination more than three times.

(5) A person referred to in clause *c* of subsection 1 of section 5 of the Act who has passed,

- (a) the examinations under subsection 1; or
- (b) the supplemental examinations referred to in subsection 4,

shall apply for registration in Form 4 and pay the registration fee of \$12.

7. The Board may register a person who is a radiological technician in a jurisdiction outside Ontario and,

- (a) is registered under a regulation similar to this Regulation; or
- (b) has successfully completed a course of training for radiological technicians under a regulation similar to this Regulation and is entitled to be registered under that regulation,

and satisfies the Board as to his ability to practise in Ontario as a radiological technician and pays a registration fee of \$12.

8.—(1) A certificate of registration shall be in Form 1.

(2) A certificate of registration expires if the renewal fee of \$7 is not paid on or before the 31st day of December in each year.

(3) An application for renewal of registration shall be in Form 2.

(4) Where a certificate of registration expires, the registrar shall strike the name of the former holder of the certificate from the register and shall notify him by registered mail addressed to his last address shown on the register that his registration has expired.

9.—(1) Where the name of a radiological technician has been struck off the register under section 8, and the radiological technician,

- (a) submits proof, in form satisfactory to the Board, of his competence as a radiological technician in the year in which he wishes to resume practise in Ontario; and
- (b) pays a re-registration fee of \$15,

the registrar shall re-register the radiological technician and issue him with a certificate of registration.

(2) Where a registered radiological technician who ceases to practise in Ontario,

- (a) so notifies the Board in writing during the registration year in which he ceases to practise;
- (b) submits proof, in form satisfactory to the Board, of his competence as a radiological technician in the year in which he wishes to resume practise in Ontario; and
- (c) pays the re-registration fee of \$7 for the registration year in which he wishes to resume practise in Ontario,

the registrar shall re-register the radiological technician and issue him with a certificate of registration.

10. For the purposes of the Act, "unprofessional conduct" means,

- (a) the use by a registered radiological technician of radiation, radium or ionizing particles for therapy or diagnosis in such negligent or hazardous manner as is likely to cause bodily harm to a patient or other person; or
- (b) such infamous, disgraceful or improper conduct on the part of a registered radiological technician as to render it desirable in the public interest that his registration be revoked or suspended.

11. A member of the Board, while carrying out his duties under the Act, shall be paid,

- (a) a fee of \$15 a day, but not exceeding \$300 in a year; and
- (b) the amount spent by him in travelling and living expenses.

12. This Regulation comes into force on the 1st day of August, 1964.

BOARD OF RADIOLOGICAL TECHNICIANS:

E. ARMOUR, M.D.
Chairman.

I. R. FISHER, R.T.
Secretary-Treasurer.

M. WALKER, R.N., R.T.
Member.

E. W. EDMONDS
Member.

Dated at Toronto, this 6th day of July, 1964.

Schedule 1

ITEM	COLUMN 1	COLUMN 2
	Subject	Number of Hours
1.	Anatomy and Physiology	120
2.	Apparatus and Accessory Equipment	50
3.	Basic Medical Sciences	30
4.	Darkroom Procedures and Photographic Aspects of Radiography	30
5.	Medical Ethics and Nursing Essentials	20
6.	Radiobiology and Protection	30
7.	Radiographic Technique	160
8.	Radiological Physics	60

Schedule 2

ITEM	COLUMN 1	COLUMN 2	COLUMN 3
	Type of Examination	Number of Examinations	Number of Hours
1.	Abdomen: liver-spleen-suprarenal region	20	50
2.	Barium Cases: esophagus-barium meals-barium enemas	80	280
3.	Biliary System: gallbladder-cholecystography-cholangiography	40	80
4.	Genital Organs: prostate-uterosalpingography	5	20
5.	Hip Joint and Upper Third Femur: hip joint-femoral neck-upper femur	20	200
6.	Lower Limb: foot, toes, tarsus-calcaneus-ankle-leg-knee-patella-femur (lower two-thirds)	140	200
7.	Pelvic Girdle: pelvis-sacroiliac joints	10	70
8.	Pregnancy and Pelvimetry	5	60
9.	Salivary Glands and Sialography	5	50
10.	Shoulder Girdle: humerus-shoulder joint-acromioclavicular joint-scapula- clavicle-sternoclavicular joint	60	200
11.	Skull: general-sella turcica-optic foramina-facial and nasal bones- mandible-temporomandibular joints-accessory nasal sinuses mastoids-teeth (full mouth)	70	300
12.	Thoracic Cage: sternum-upper and lower ribs	20	70
13.	Thoracic Contents: diaphragm-lungs-bronchography-trachea-heart and aorta	80	150
14.	Urinary System: renal tract (plain)-intravenous and retrograde pyelography- cystography	20	180

Schedule 2—Continued

ITEM	COLUMN 1	COLUMN 2	COLUMN 3
	Type of Examination	Number of Examinations	Number of hours
15.	Upper Limb: hand-fingers-thumb-wrist-forearm-elbow-humerus	150	200
16.	Vertebral Column: cervical vertebrae-cervicothoracic region-thoracic vertebrae-lumbar vertebrae-sacrum-coccyx	70	200
17.	Special Examinations: Angiography Encephalography and Ventriculography Myelography Arthrography Tomography Presacral air insufflation Pneumo peritoneum Femoral arteriogram Aortagrams Venograms T-tube cholangiogram-percutaneous cholangiogram	25	350

Schedule 3

ITEM	COLUMN 1	COLUMN 2
	Type of Experience	Number of Hours
1.	Darkroom Cleaning and care of apparatus	70
2.	Reception of patients and filing	70

Schedule 4

ITEM	COLUMN 1	COLUMN 2
	Subject	Number of Hours
1.	Anatomy and Physiology	120
2.	Apparatus and Accessory Equipment	30
3.	Basic Medical Sciences	30
4.	Medical Ethics and Nursing Essentials	30
5.	Radiobiology and Protection	40
6.	Radiographic Technique in Radiation Therapy	30
7.	Radioisotopes	30
8.	Radiological Physics	60
9.	Treatment Planning	130

Schedule 5

ITEM	COLUMN 1	COLUMN 2	COLUMN 3	COLUMN 4
	Type of Treatment	Number of Cases	Time in hours	Type of Radiation
1.	<p><i>Central nervous system-oral cavity-tongue-floor of mouth:</i></p> <ul style="list-style-type: none"> pharynx paranasal sinuses thyroid larynx oesophagus lungs-pleura breast blood forming organs female genital tract male genital tract abdominal cavity and other viscera musculo-skeletal system metastases 	250	1300	External source of ionizing radiations in the energy range 220KV-24MEV and upwards
2.	<p><i>Special technical procedures:</i></p> <ul style="list-style-type: none"> pin and arc back pointer plaster casts rotational techniques wedge filters bolus material treatment planning 	50	440	External source of ionizing radiations in the energy range 220KV-24MEV and upwards
3.	<p><i>Malignant cases:</i></p> <ul style="list-style-type: none"> skin lip <p><i>Benign conditions:</i></p> <ul style="list-style-type: none"> skin diseases—dermatology lymphoid tissue—adenoids-tonsillitis infectious conditions painful conditions thyroid diseases ovarian sterilization benign tumours—haemangioma 	50	275	External source of ionizing radiations in the energy range 10KV-260KV
4.	<p><i>Intracavitary applications:</i></p> <ul style="list-style-type: none"> sealed radiation sources, injection of radioactive isotopes into natural cavities <p><i>Interstitial use:</i></p> <ul style="list-style-type: none"> radioactive needles radioactive seeds radioisotope infiltration of tissues <p><i>Internal absorption of radioisotopes</i></p>	50	300	Internal sources of ionizing radiation or particles

Schedule 6

ITEM	COLUMN 1	COLUMN 2
	Type of Experience	Number of Hours
1.	<p><i>Nursing—practical work as applied to radiation therapy:</i></p> <p>nursing techniques aseptic techniques care of apparatus and supplies keeping of records</p>	200
2.	<p><i>Radiographic technique in radiation therapy:</i></p> <p>making radiographic exposures darkroom technique tumour localization field localization reconstruction of implant</p>	260
3.	<p><i>Practical demonstrations and experiments:</i></p> <p>attraction and repulsion of charged pith balls the field about a magnet demonstrated with iron filings magnetic effect of a current the Gold leaf electroscope the d'Arsonval Galvanometer Ohms Law demonstrated with simple resistors, ammeters and volt-meters heating effect of electricity generation of alternating current the transformer and autotransformer used to change voltage A.C. in an inductor and a capacitor x-ray and kenotron tubes use of Victoreen or other dosimeter to measure x-ray doses effect of filters absorption and measures of half-value layer measurement of isodose curves in a phantom demonstration of a Geiger counter pinhole photograph of a therapy machine target demonstration of pin and arc and other beam direction devices</p>	25

Form 1

The Radiological Technicians Act, 1962-63

CERTIFICATE OF REGISTRATION

No. Date.

This is to certify that
 (name in full)

of
 (address)

is a Registered Radiological Technician for the year 19....

BOARD OF RADIOLOGICAL TECHNICIANS:

..... Registrar Chairman

THIS CERTIFICATE EXPIRES WITH THE 31st DAY OF DECEMBER, 19....

REGISTRAR MUST BE NOTIFIED OF CHANGE OF ADDRESS.

..... (signature of Technician) Witness

Form 2

The Radiological Technicians Act, 1962-63

APPLICATION FOR RENEWAL OF REGISTRATION

I, (name in full)

..... (address)

apply for the renewal of my registration for the year 19... and enclose renewal fee, the sum of \$7.

..... (signature)

Form 3

The Radiological Technicians Act, 1962-63

APPLICATION FOR REGISTRATION

1. I, (print name in full)

of (business address in full)

..... (home address in full)

hereby make application to the Board of Radiological Technicians for registration as a Radiological Technician and submit the following information:

i. Date and place of birth:.....

ii. (a) I am an active member of the Ontario Society of Radiological Technicians

C.S.R.T. Registration Number.....

(b) I am an associate member of the Ontario Society of Radiological Technicians.

(c) I have passed the examination prescribed by the Board, held on the....., 19....

C.S.R.T. Registration Number.....

Indicate category

2. I enclose registration fee, the sum of \$12 payable to the Board of Radiological Technicians.

Dated at.....this.....day of....., 19....

..... (witness) (witness must be a radiologist)

..... (signature of applicant)

Form 4

The Radiological Technicians Act, 1962-63

APPLICATION FOR REGISTRATION UNDER CLAUSE c OF SUBSECTION 1 OF SECTION 5 OF THE ACT

1. I, (print name in full)

of (business address in full)

..... (home address in full)

hereby make application to the Board of Radiological Technicians for registration as a Radiological Technician and submit the following information:

i. Date and place of birth.....

ii. I was practising as a radiological technician for a period of five years, prior to the 1st day of August, 1964, in the Province of Ontario, under the supervision of a duly qualified medical practitioner, and am willing to comply with the regulations.

- iii. (a) I am of good moral character;
- (b) I am competent to practise the profession of radiological technology, and have appropriate experience.

2. I enclose the registration fee, the sum of \$12 payable to the Board of Radiological Technicians.

Dated at.....this.....day of....., 19....

.....
(signature of sponsoring duly qualified medical practitioner)

.....
(signature of applicant)

(994)

31

THE CHILDREN'S INSTITUTIONS ACT, 1962-63

O. Reg. 186/64.
General.
Made—July 16th, 1964.
Filed—July 20th, 1964.

REGULATION MADE UNDER
THE CHILDREN'S INSTITUTIONS ACT,
1962-63

1. Sections 20 and 21 of Ontario Regulation 279/63 are revoked and the following substituted therefor:

20.—(1) In this section and in section 21,

- (a) "liquid assets" means cash, bonds, debentures, stocks and any other assets that can be readily converted into cash, and includes the beneficial interest in assets held in trust and available to be used for living expenses, but does not include the amount remaining to be paid to a parent under a mortgage or agreement for sale or the cash surrender value of a life insurance policy;
- (b) "living expenses" includes the expenses for food, clothing, shelter, fuel, utilities, household sundries, household maintenance, medical and dental services, premiums for medicare, hospitalization or life insurance and such other expenses for necessities as are of a continuing nature; and
- (c) "net cost" means the actual average daily cost to an approved corporation for the care and maintenance of the children who resided in the children's institution maintained and operated by the corporation during the year ending with the immediately preceding 31st day of December.

(2) For the purposes of clause a of section 7 of the Act, financial circumstances are determined by deducting,

- (a) from the total amount of the liquid assets, or interest therein, owned by each parent, when added together, an amount not exceeding \$1,000 plus \$200 in respect of each dependent child maintained by the parent; and
- (b) from the total amount of income received by each parent, when added together, the total amount of the living expenses of the parent and each dependent child maintained by him.

(3) The maximum amount to which the Province may contribute under section 7 of the Act is 50 per cent of the net cost that is paid by an approved corporation for the care and maintenance of a child in a children's institution maintained and operated by the corporation, computed in accordance with section 21.

(4) Where,

(a) the financial circumstances as determined under subsection 2 do not permit the parent to pay in full for the cost of the care and maintenance of the child in a children's institution; and

(b) the cost or any part thereof is paid by the approved corporation that maintains and operates the institution,

the Province shall contribute to the corporation an amount equal to 50 per cent of the net cost that is paid by the corporation, computed in accordance with section 21.

21.—(1) An application by an approved corporation for a monthly payment of the provincial subsidy under section 7 of the Act shall be made in triplicate in Form 4 and the application for each month shall be furnished to the Minister not later than the 20th day of the following month.

(2) The amount to be paid by the Province to an approved corporation under section 7 of the Act shall be computed in accordance with Form 4.

(3) Where a parent is not paying any part of the net cost of the care and maintenance of his child who is a resident in a children's institution and is able to pay the whole or part of such cost as determined under subsection 2 of section 20 by the provincial supervisor, that resident shall not be taken into account for the purposes of computing the provincial subsidy in Form 4.

(4) Where the financial circumstances of a parent, as determined under subsection 2 of section 20, permit the parent to pay more of the net cost of the care and maintenance of his child in a children's institution than he is paying, the additional amount that the provincial supervisor determines to be payable by the parent shall be calculated as if it has been paid, for the purposes of computing the provincial subsidy in Form 4.

2. Schedule 1 to Ontario Regulation 279/63 is amended by adding thereto the following items:

1a. Big Sister Association

9a. Mount St. Joseph

5a. Mount St. Joseph Centre, 354 King Street West, Hamilton

15a. Protestant Children's Village Board

5b. Protestant Children's Village, 983 Carling Avenue, Ottawa

3. Schedule 3 to Ontario Regulation 279/63 is amended by adding thereto the following items:

4. Form 4 of Ontario Regulation 279/63 is revoked and the following substituted therefor:

Form 4

The Children's Institutions Act, 1962-63

APPLICATION FOR MONTHLY PAYMENT OF PROVINCIAL SUBSIDY UNDER SECTION 7 OF THE ACT

For the Month of, 19....

Name of Children's Institution:

Address:

Name of Corporation operating Children's Institution:

PART I: STATISTICAL

(see Note 1)

- 1. Total residents during month.....
- 2. Residents in the care and custody of a children's aid society under *The Child Welfare Act* (see Note 3).....
- 3. NET number of Residents (deduct 2 from 1).....
- 4. Residents in item 3 whose parents are paying the full amount of the net cost of care and maintenance of \$.....or more (see Note 4).....
- 5. Residents in item 3 whose parents are *not* paying the full amount of the net cost of care and maintenance (deduct 4 from 3).....
- 6. Residents in item 3 whose parents are able to pay the whole or part of the net cost of care and maintenance but making no payment.....
- 7. Residents for the purposes of the provincial subsidy (deduct 6 from 5) (see Note 5).....

COLUMN 1	COLUMN 2	COLUMN 3
Number of Residents	Number of Resident Days	Revenue (see Note 2)

PART II: COMPUTATION OF PROVINCIAL SUBSIDY

8. MULTIPLY:

..... x \$.....
 (number of resident days recorded in item 7 of Part I) (net cost of care and maintenance)

9. DEDUCT:

- (a) amounts paid or payable for the current month by parents for the care and maintenance of the residents recorded in item 7 of Part I (exclude municipal revenue)..... \$.....
- (b) amounts paid or payable for the current month by municipalities for the care and maintenance of residents (exclude municipal donations or grants)..... \$.....
- (c) additional amounts determined by the provincial supervisor to be payable for the current month by parents on behalf of the residents recorded in item 7 of Part I (see Note 6)..... \$..... \$.....

10. BALANCE (8 less total of 9):..... \$.....

11. ADJUSTMENTS:

(1) ADD,

- (a) amounts recorded as payable in item 9 (a) or 9 (b) of Part II for previous months, now deemed uncollectable and to be written off..... \$.....
 - (b) amounts recorded in item 9 (a) or 9 (b) of Part II for the current or previous months that have been refunded to parents..... \$.....
 - (c) other (specify)..... \$..... \$.....
- SUB-TOTAL..... \$.....

(2) DEDUCT,

- (a) amounts recovered for arrears from parents on behalf of residents for whom the provincial subsidy was previously claimed or paid..... \$.....
- (b) other (specify)..... \$..... \$.....

12. Cost to Corporation for purposes of Provincial Subsidy..... \$.....

13. Provincial Subsidy—50% of item 12..... \$.....

14. CERTIFICATE:

We certify that to the best of our knowledge and belief the above statements are true and correct and are in agreement with the records of the Children's Institution.

Date....., 19....

.....
(treasurer)

.....
(chairman of board or superintendent)

NOTES:

1. "Parent" means a person in whose charge a child is, but does not include a children's aid society established under *The Child Welfare Act*.
2. *Re Column 3, item 1 of Part I:* In Column 3, "Revenue" does not include the amounts paid or payable in the current month on behalf of residents by the corporation that maintains and operates the children's institution or by a municipality.
3. *Re item 2 of Part I:* Record, in item 2 of Part I, all residents (and the data pertaining thereto) who are the responsibility of a children's aid society or who have been admitted to the children's institution on the application of a children's aid society regardless of whether payments in respect of the cost of care and maintenance are being made or received and whether or not the payments meet the total cost of the care and maintenance provided.
4. *Re item 4 of Part I:* "Net cost" means the actual average daily cost to the corporation for the care and maintenance of the children who resided in the children's institution maintained and operated by the corporation during the year ending with the immediately preceding 31st day of December.
5. *Re item 7 of Part I:* Where a parent is not paying any part of the net cost of the care and maintenance of his child who is a resident in the children's institution and is able to pay the whole or part of such cost as determined under subsection 2 of section 20 of the Regulations by the provincial supervisor, that resident shall not be taken into account for the purposes of computing the provincial subsidy.
6. *Re item 9 (c) of Part II:* Where the financial circumstances of a parent, as determined under subsection 2 of section 20 of the Regulations, permit the parent to pay more of the net cost of the care and maintenance of his child in the children's institution than he is paying, the additional amount that the provincial supervisor determines to be payable by the parent shall be calculated as if it has been paid, for the purposes of computing the provincial subsidy.

THE HOSPITAL SERVICES COMMISSION ACT

O. Reg. 187/64.

General.

Made—June 18th, 1964.

Approved—July 16th, 1964.

Filed—July 23rd, 1964.

**REGULATION MADE UNDER
THE HOSPITAL SERVICES COMMISSION ACT**

1. Subsection 4 of section 40 of Regulation 238 of Revised Regulations of Ontario, 1960, as amended by section 1 of Ontario Regulation 275/61, section 1 of Ontario Regulation 224/62 and section 1 of Ontario Regulation 213/63, is further amended by striking out "30th day of June, 1964" in the second line and inserting in lieu thereof "30th day of June, 1965".

2. Schedule 8 to Regulation 238 of Revised Regulations of Ontario, 1960, as remade by section 3 of Ontario Regulation 213/63 and amended by section 2 of Ontario Regulation 6/64 and section 2 of Ontario Regulation 108/64, is revoked and the following substituted therefor:

Schedule 8

**NURSING HOMES TEMPORARILY APPROVED
FOR CHRONIC CARE**

LOCATION	NAME OF NURSING HOME
1. Aurora	Aurora Resthaven Nursing Home
2. Aurora	Cobblestone House
3. Aurora	The Willows Nursing Home
4. Beaverton	Teer Nursing Home
5. Brampton	Bertram Nursing Home
6. Brampton	Hodgins Rest Home
7. Cannington	Bon-Air Nursing Home
8. Chesley	Parkview Manor Nursing Home
9. Collingwood	Patterson's Nursing Home
10. Columbus	Glencedar Nursing Home Limited
11. Grimsby	Kilean Lodge
12. Hanover	Fairview Nursing Home
13. Kincardine	Fairhaven Nursing Home
14. Mount Albert	Cooper's Nursing Home
15. Niagara Falls	Grace Abbey Convalescent Home
16. Orangeville	Marquardt Nursing Home
17. Orillia	Hannaford Nursing Home
18. Orillia	Cedar Brae Nursing Home
19. Pine Grove	Pine Grove Nursing Home
20. Ridgetown	Barnwell Nursing Home
21. Rosebank Station	Rosebank Convalescent Home
22. St. Catharines	Bellevue Nursing Home
23. St. Catharines	Ingleside Nursing Home
24. Scarborough	Emerald Nursing Home

LOCATION	NAME OF NURSING HOME
25. Thamesville	Clayton Nursing Home
26. Tillsonburg	Maple Manor Nursing Home
27. Tillsonburg	Stonecrest Lodge
28. Toronto	Anderson Nursing Home
29. Toronto	Bel-Air Nursing Home
30. Toronto	Birchcliffe Limited
31. Toronto	Dunhaven Nursing Home
32. Toronto	MacDonald Nursing Home
33. Toronto	Marikay Nursing Home
34. Toronto	Maynard Nursing Home
35. Toronto	Nevers Nursing Home
36. Toronto	Norwood Rest Home
37. Toronto	Red Wing Convalescent Home
38. Toronto	Roulet Nursing Home
39. Toronto	St. Raphael's Nursing Home
40. Toronto	Tyndall Nursing Home
41. Toronto	Wellesley Convalescent Home
42. Trout Creek	Stonehouse Nursing Home
43. Walkerton	Walkerton Rest Home
44. Wallaceburg	LaPointe-Fisher Nursing Home
45. West Hill	Open Gate Nursing Home

3. This Regulation shall be deemed to have come into force on the 30th day of June, 1964.

HOSPITAL SERVICES COMMISSION
OF ONTARIO:

J. B. NEILSON,
Chairman.

E. P. MCGAVIN,
Commissioner.

Dated at Toronto, this 18th day of June, 1964.

(1015)

31

THE FARM PRODUCTS MARKETING ACT

O. Reg. 188/64.

Eggs and Fowl—Plan.

Made—July 16th, 1964.

Filed—July 24th, 1964.

**REGULATION MADE UNDER
THE FARM PRODUCTS MARKETING ACT**

1. The plan in the Schedule is established for the control and regulation of the marketing within Ontario of eggs and fowl.

2. The local board named in the Schedule is given the powers set out in clauses *a, b, d, e, f, g, i, j, k, l, m, n, o* and *t* of subsection 1 of section 22 and in sections 58 and 288 of *The Corporations Act* that are vested in a co-operative corporation that is under Part V of that Act.

3. The members of the local board named in the Schedule shall be deemed to be the shareholders and the directors of the local board in the exercise of the powers vested in the local board under section 2.

Schedule

The Farm Products Marketing Act

PLAN

1. This plan may be cited as "The Ontario Egg and Fowl Producers' Marketing Plan".

2. In this plan,

- (a) "dealer" means a person, other than a processor, who buys or receives fowl from a producer;
- (b) "eggs" means eggs of a domestic hen produced in Ontario;
- (c) "fowl" means a domestic hen not less than six months of age that is produced in Ontario and lays eggs;
- (d) "processing" means the slaughtering of fowl;
- (e) "processor" means a person engaged in the slaughtering of fowl;
- (f) "producer" means a person engaged in the production of eggs and fowl.

3. This plan applies to the control and regulation in any or all respects of the marketing within Ontario of eggs and fowl.

4. There shall be a local board to be known as "The Ontario Egg and Fowl Producers' Marketing Board".

5. The local board shall be composed of nine producer-members.

6. Members of the local board shall be elected or appointed in accordance with the provisions of this plan and shall hold office until their successors are elected or appointed.

7. The members of the local board who shall hold office until their successors are elected or appointed are:

- 1. District 1, Jim Huctwith, Forest.
- 2. District 2, Gerry Long, 316 Commissioners' Road W., London.
- 3. District 3, Bob Broadfoot, Brucefield.
- 4. District 4, Allan Wedow, R.R. 3, Hanover.
- 5. District 5, Gordon Hunsberger, R.R. 2, West Montrose.
- 6. District 6, Henry Fransen, R.R. 3, St. Catharines.
- 7. District 7, Craig Hunter, Stroud.
- 8. District 8, Lorne Reynolds, R.R. 2, Peterborough.
- 9. District 9, Maurice McCallum, Carp.

8. Producers are divided into nine districts as follows:

- 1. District 1, comprising the counties of Essex, Kent and Lambton.
- 2. District 2, comprising the counties of Elgin, Middlesex and Oxford.

3. District 3, comprising the counties of Huron and Perth.

4. District 4, comprising the counties of Bruce, Dufferin and Grey.

5. District 5, comprising the counties of Halton, Peel, Waterloo and Wellington.

6. District 6, comprising the counties of Brant, Haldimand, Lincoln, Norfolk, Welland and Wentworth.

7. District 7, comprising the counties of Durham, Ontario, Simcoe, Victoria and York.

8. District 8, comprising the counties of Frontenac, Hastings, Lennox and Addington, Northumberland, Peterborough, Prince Edward and Renfrew.

9. District 9, comprising the counties of Carleton, Dundas, Glengarry, Grenville, Lanark, Leeds, Prescott, Russell and Stormont.

9. Producers in each of the districts named in section 8 form a district group.

10. There shall be a committee in each district to be known as "The District Egg and Fowl Producers' Committee".

11. Within one month after The Ontario Egg and Fowl Producers' Marketing Plan is established, and on or before the 15th day of March in the year 1966 and in each year thereafter, producers in each county shall elect from the producers in the county members to The District Egg and Fowl Producers' Committee as follows:

- 1. District 1, Essex, six members.
Kent, eight members.
Lambton, eight members.
- 2. District 2, Middlesex, eleven members.
Oxford, eight members.
Elgin, five members.
- 3. District 3, Huron, twelve members.
Perth, ten members.
- 4. District 4, Bruce, six members.
Grey, eight members.
Dufferin, three members.
- 5. District 5, Wellington, eight members.
Waterloo, eight members.
Halton, three members.
Peel, three members.
- 6. District 6, Brant, three members.
Norfolk, four members.
Haldimand, four members.
Welland, two members.
Lincoln, three members.
Wentworth, three members.
- 7. District 7, Simcoe, seven members.
York, four members.
Ontario, five members.
Durham, three members.
Victoria, three members.
- 8. District 8, Northumberland, four members.
Peterborough, two members.
Prince Edward, two members.
Hastings, three members.
Lennox and Addington, two members.
Frontenac, two members.
Renfrew, four members.

9. District 9, Leeds, three members.
 Grenville, two members.
 Lanark, two members.
 Carleton, three members.
 Dundas, two members.
 Stormont, two members.
 Russell, two members.
 Glengarry, two members.
 Prescott, three members.

12.—(1) Within two months after The Ontario Egg and Fowl Producers' Marketing Plan is established, and on or before the 31st day of March in the year 1966 and in each year thereafter, each District Egg and Fowl Producers' Committee may elect one of its members to be a member of the local board from the district.

(2) No person is eligible for election from any district to the local board unless he is a producer in the district, but in no case shall he be elected to represent more than one district.

13.—(1) At its first meeting after the 31st day of March in each year, the members elected to the local board shall appoint such producer-members as are necessary to complete the local board.

(2) When a member elected or appointed to the local board dies or resigns before the expiration of the term for which he was elected or appointed, the members of the local board may appoint a producer-member for the unexpired term of the member who died or resigned.

(3) Each producer-member appointed as a member to the local board under subsection 1 or 2 shall be a producer in the district for which he is appointed.

(4) The first producer-members of the local board elected under subsection 1 of section 12 or appointed under subsection 1 of section 13, shall hold office until the 31st day of March, 1966 and thereafter each producer-member of the local board shall be elected or appointed to hold office until the 31st day of March of the year next following his election or appointment.

(5) Where the members of the local board fail to appoint a person for the unexpired term of a member under subsection 2 within seven days from the death or resignation of the member, the Board may appoint a person for the unexpired term.

(1016)

31

2. This Regulation applies to the producing and marketing of apples locally within Ontario.

3. The programme in the Schedule is established for the stimulating, increasing and improving of the marketing locally within Ontario of apples by advertising, education, research or other means.

4. The Association is designated as the representative association of producers of apples in Ontario for the carrying out of the programme in the Schedule.

5. Every producer shall pay to the Association licence fees on all apples produced and marketed by him,

- (a) where the apples are marketed for processing, at the rate of 4 cents for each 100 pounds or fraction thereof of apples sold to the processor;
- (b) where the apples are marketed for the production of juice, at the rate of 2 cents for each 100 pounds or fraction thereof of apples sold to the processor; and
- (c) where the apples are marketed for any purpose other than processing or the production of juice, at the rate of 3 cents for each 40 pounds or fraction thereof of apples sold to any person.

6.—(1) The licence fees payable by a producer to the Association under section 5 shall be paid,

- (a) subject to subsection 2, in respect of apples sold on or after the 15th day of July but before the 1st day of November, not later than the 15th day of November next following;
- (b) in respect of apples sold on or after the 1st day of November but before the 1st day of February, not later than the 15th day of February next following;
- (c) in respect of apples sold on or after the 1st day of February but before the 1st day of May, not later than the 15th day of May next following; and
- (d) in respect of apples sold on or after the 1st day of May but before the 15th day of July, not later than the 15th day of August next following.

(2) Where a producer sells apples during the period referred to in clause *a* of subsection 1, he may elect to pay not less than 50 per cent of the licence fees payable under section 5 not later than the 15th day of November and, where a producer so elects, he shall pay the remaining amount of such licence fees not later than the 15th day of February next following.

7. The Association is authorized to use the licence fees received by it for the purposes of defraying its expenses in the carrying out of the programme in the Schedule.

8. The Association shall furnish to the Board such information and financial statements as the Board determines.

Schedule

The Farm Products Marketing Act

PROGRAMME

1. This programme may be cited as "The Ontario Apple Promotion Programme".

2. This programme provides for the stimulating, increasing and improving of the marketing locally within Ontario of apples by the following means:

THE FARM PRODUCTS MARKETING ACT

O. Reg. 189/64.

Apples—Marketing.

Made—July 16th, 1964.

Filed—July 24th, 1964.

REGULATION MADE UNDER THE FARM PRODUCTS MARKETING ACT

1. In this Regulation,

- (a) "apples" means apples of every variety produced in Ontario;
- (b) "Association" means The Ontario Fruit and Vegetable Growers' Association incorporated under *The Agricultural Associations Act*;
- (c) "processing" means baking, canning, dehydrating, drying, freezing, slicing or processing with sugar or sulphur dioxide or any other chemical;
- (d) "producer" means a producer of apples in Ontario.

1. Advertisement of apples and apple products by,

- (a) direct advertising in newspapers and magazines and on radio and television programmes;
- (b) preparation and use of package inserts as advertising material;
- (c) preparation and distribution of display material to sales outlets;
- (d) supplying information to editors of leaflets and pamphlets for food shoppers;
- (e) preparing and distributing press releases to editors of newspapers and magazines;
- (f) preparation of spot announcements for use by announcers and commentators on radio and television programmes;
- (g) supplying information for contests that provide publicity for food; and
- (h) preparation and distribution of leaflets and booklets that relate to the use of apples, including recipes requiring the use of apples or apple products.

2. Education in respect of the production, distribution and sale of apples by,

- (a) recommendations for efficient procedures in producing, harvesting, storing and handling of apples;
- (b) recommendations respecting standards of quality required to maintain a continuing market appeal for apples and apple products;
- (c) providing for co-operation of organizations that assist in the development of new markets, expansion of existing markets and reduction in costs of marketing apples;
- (d) furnishing information on crop conditions, marketing prospects, marketing conditions that develop during the crop season and packing and storing of apples; and
- (e) arranging for viewing of films that furnish information respecting the production and sale of apples and the uses for apples and apple products.

3. Research on marketing of apples by surveys, examinations, tests, studies and experiments that are carried out with the object of,

- (a) increasing consumer acceptance of apples and apple products;
- (b) expanding markets for apples and apple products; and
- (c) improving conditions that adversely affect any phase of the marketing of apples.

4. Development and improvement of public relations with persons and organizations by,

- (a) co-operation on projects that increase sales of apples and apple products;
- (b) promoting better understanding by consumers of the value and use of apples and apple products;
- (c) assisting in the arrangement of demonstrations and exhibits that include the promotion of apples and apple products; and
- (d) discussions with persons interested in any phase of the marketing of apples and apple products.

(1017)

31

THE GUARANTEE COMPANIES SECURITIES ACT
O. Reg. 190/64.

Approved Guarantee Companies.

Made—July 23rd, 1964.

Filed—July 24th, 1964.

**REGULATION MADE UNDER
THE GUARANTEE COMPANIES SECURITIES
ACT**

1. The Schedule to Ontario Regulation 301/61, as amended by Ontario Regulations 100/62, 275/62, 326/62, 4/63, 171/63 and 134/64, is further amended by adding thereto the following item:

8a. British Northwestern Insurance Company

(1020)

31

Publications Under The Regulations Act

August 8th, 1964

THE CEMETERIES ACT

O. Reg. 191/64.

Closings and Removals.

Made—July 23rd, 1964.

Filed—July 27th, 1964.

REGULATION MADE UNDER THE CEMETERIES ACT

1. Regulation 42 of Revised Regulations of Ontario, 1960, as amended by Ontario Regulations 277/61, 332/61, 372/61, 192/62, 226/62, 308/62, 6/63, 48/63, 198/63 and 85/64, is further amended by adding thereto the following Schedule:

Schedule 31

PRIVATE ABANDONED CEMETERY, TOWNSHIP OF DARLING

All and Singular that certain parcel or tract of land and premises situate, lying and being in the Township of Darling, in the County of Lanark, Province of Ontario, and being composed of a part of the southwest half of Lot No. 6 in the 5th Concession of the said township; which said parcel may be more particularly described as follows:

Beginning where a survey post has been planted in the said Lot No. 6 marking the southwest angle of the herein described parcel, and which said post is distant 1652.87 feet as measured on a course of north $9^{\circ} 54' 30''$ west from the most southerly angle of the said lot; thence north $19^{\circ} 22' 30''$ west, a distance of 31.07 feet to a survey post planted at an angle therein; thence north $81^{\circ} 52' 30''$ east, a distance of 36.0 feet to a survey post planted at an angle therein; thence south $7^{\circ} 59' 30''$ east a distance of 27.86 feet to a survey post planted at an angle therein; thence south $76^{\circ} 52' 20''$ west, a distance of 30.0 feet, more or less, to the place of beginning.

(1044)

32

THE GAME AND FISH ACT, 1961-62

O. Reg. 192/64.

Open Seasons—Fur-Bearing Animals.

Made—June 29th, 1964.

Filed—July 27th, 1964.

REGULATION MADE UNDER THE GAME AND FISH ACT, 1961-62

1. Ontario Regulation 152/64 is amended by adding thereto the following sections:

OPEN SEASON FOR BEAVER

4. Beaver may be trapped, hunted or possessed in the localities described in,

- (a) Schedule 1 and Schedule 2, except those parts of the territorial districts of Cochrane and Kenora described in clause *b* from the 15th day of October, 1964 to the 15th day of April, 1965, both inclusive;

(b) those parts of the territorial districts of Cochrane and Kenora adjoining the southerly shore of Hudson Bay and the southerly and westerly shores of James Bay and shown outlined in red on a map filed in the office of the Registrar of Regulations at Toronto as No. 309, from the 15th day of October, 1964 to the 15th day of May, 1965, both inclusive;

(c) Schedule 3 from the 15th day of October, 1964 to the 31st day of March, 1965, both inclusive; and

(d) schedules 5, 6, 7, 8 and 9 from the 1st day of November, 1964 to the 31st day of March, 1965, both inclusive.

OPEN SEASON FOR FISHER AND MARTEN

5. Fisher and marten may be trapped, hunted or possessed in the localities described in,

(a) Schedule 2 from the 15th day of October, 1964 to the 28th day of February, 1965, both inclusive;

(b) Schedule 4 from the 15th day of October, 1964 to the 21st day of January, 1965, both inclusive; and

(c) schedules 5, 6, 7, 8 and 9 from the 1st day of November, 1964 to the 21st day of January, 1965, both inclusive.

OPEN SEASON FOR LYNX

6. Lynx may be trapped, hunted or possessed in any part of Ontario from the 1st day of November, 1964 to the 28th day of February, 1965, both inclusive.

OPEN SEASON FOR MINK

7. Mink may be trapped, hunted or possessed in the localities described in,

(a) Schedule 2 from the 15th day of October, 1964 to the 28th day of February, 1965, both inclusive;

(b) Schedule 4 from the 15th day of October, 1964 to the 21st day of January, 1965, both inclusive;

(c) schedules 5, 6, 7 and 8 from the 1st day of November, 1964 to the 21st day of January, 1965, both inclusive; and

(d) Schedule 9 from the 1st day of November, 1964 to the 28th day of February, 1965, both inclusive.

OPEN SEASON FOR MUSKRAT

8. Muskrat may be trapped, hunted or possessed in the localities described in,

(a) Schedule 2 from the 15th day of October, 1964 to the 31st day of May, 1965, both inclusive;

(b) Schedule 4 from the 15th day of October, 1964 to the 21st day of May, 1965, both inclusive;

- (c) Schedule 5 from the 1st day of November, 1964 to the 30th day of April, 1965, both inclusive;
- (d) schedules 6 and 7 from the 1st day of November, 1964 to the 20th day of April, 1965, both inclusive; and
- (e) schedules 8 and 9 from the 1st day of November, 1964 to the 15th day of April, 1965, both inclusive.

OPEN SEASON FOR OTTER

9. Otter may be trapped, hunted or possessed in the localities described in,

- (a) schedules 2 and 4 from the 15th day of October, 1964 to the 31st day of March, 1965, both inclusive; and
- (b) schedules 5 and 6 and in the townships of Albemarle, Amabel, Eastnor, Lindsay and St. Edmunds in the County of Bruce from the 1st day of November, 1964 to the 31st day of March, 1965, both inclusive.

2. Ontario Regulation 152/64 is further amended by adding thereto the following schedules:

Schedule 1

Part of the territorial districts of Cochrane, Kenora and Thunder Bay and the Territorial District of Rainy River described as follows:

Beginning at the intersection of the northerly limit of the right of way of the transcontinental line of the Canadian National Railways with the easterly boundary of the Territorial District of Thunder Bay; thence southerly along that easterly boundary to the south-westerly corner of the geographic Township of Flanders in the Territorial District of Algoma; thence west astronomically 10 miles, more or less, to the height of land defining the boundary between the watersheds of James Bay and Lake Superior; thence southerly along that height of land 3 miles, more or less, to the intersection with a height of land defining the boundary between the watersheds of White Otter River and Black River; thence in a general westerly and southwesterly direction along that height of land and the height of land between the watersheds of Pic River and Black River to the confluence of those rivers; thence in a general southerly direction following the easterly shore of the Pic River to the intersection with the easterly shore of Lake Superior; thence south astronomically to the intersection with the boundary between Canada and the United States of America; thence in a north-westerly direction following that boundary to the intersection with the interprovincial boundary between Ontario and Manitoba; thence due north along the last-mentioned boundary to the intersection with the northerly limit of the right of way of the transcontinental line of the Canadian National Railways; thence in an easterly direction following that northerly limit to the point of beginning.

Schedule 2

That part of Ontario that is north of a line located as follows:

Beginning at the intersection of the northerly limit of the right of way of the transcontinental line of the Canadian National Railways with the westerly limit of the geographic Township of Rice in the Territorial District of Kenora; thence in an easterly direction following the northerly limit of that right of way to its intersection with the easterly limit of the geographic Township of Sargeant in the Territorial District of Cochrane.

Schedule 3

1. The territorial districts of Algoma, Manitoulin, Sudbury and Timiskaming.

2. Those parts of the territorial districts of Cochrane and Thunder Bay not included in schedules 1 and 2.

3. That part of the Territorial District of Nipissing which is northerly and westerly of a line located as follows:

Beginning at the northwesterly corner of the geographic Township of West Ferris; thence easterly along the northerly boundary of that township to the westerly shore of Trout Lake; thence northerly and easterly along the westerly and northerly shore of that lake and along the northerly shore of the Mattawa River to the boundary between Ontario and Quebec.

Schedule 4

1. The territorial districts of Algoma, Manitoulin, Rainy River, Sudbury and Timiskaming.

2. Those parts of the territorial districts of Cochrane, Kenora and Thunder Bay not included in Schedule 2.

3. That part of the Territorial District of Nipissing which is northerly and westerly of a line located as follows:

Beginning at the northwesterly corner of the geographic Township of West Ferris; thence easterly along the northerly boundary of that township to the westerly shore of Trout Lake; thence northerly and easterly along the westerly and northerly shores of that lake and along the northerly shore of the Mattawa River to the boundary between Ontario and Quebec.

Schedule 5

1. The territorial districts of Muskoka and Parry Sound.

2. That part of the Territorial District of Nipissing lying southerly and easterly of the line located in paragraph 3 of Schedule 3.

3. The Provisional County of Haliburton and the County of Renfrew.

4. Those parts of the counties of Frontenac, Hastings, Lennox and Addington, Peterborough and Victoria lying northerly of the centre line of that part of the King's Highway known as No. 7.

5. That part of the County of Lanark lying northerly and westerly of a line located as follows:

Beginning at a point in the westerly boundary of the County of Lanark where it is intersected by the centre line of that part of the King's Highway known as No. 7; thence in a general easterly direction along that centre line to the intersection of the centre line of that part of the King's Highway known as No. 29 in the Township of Beckwith; thence in a general north-westerly direction along the last-mentioned centre line to its intersection with the boundary between the counties of Carleton and Renfrew; thence northerly and easterly along the southerly boundary of the last-mentioned county to the boundary between Ontario and Quebec.

Schedule 6

1. The counties of Carleton, Dundas, Durham, Glengarry, Grenville, Leeds, Northumberland, Prescott, Prince Edward, Russell and Stormont.

2. Those parts of the counties of Frontenac, Hastings, Lennox and Addington, Peterborough and Victoria not included in paragraph 4 of Schedule 5.

3. That part of the County of Lanark not included in paragraph 5 of Schedule 5.

Schedule 7

The counties of Dufferin, Ontario, Peel, Simcoe and York.

Schedule 8

The counties of Brant, Bruce, Grey, Halton, Huron, Oxford, Perth, Waterloo, Wellington and Wentworth.

Schedule 9

The counties of Elgin, Essex, Haldimand, Kent, Lambton, Lincoln, Middlesex, Norfolk and Welland.

A. K. ROBERTS,
Minister of Lands and Forests.

Toronto, June 29th, 1964.

(1045)

32

THE FARM PRODUCTS MARKETING ACT

O. Reg. 193/64.

Eggs and Fowl—Marketing.

Made—July 22nd, 1964.

Filed—July 28th, 1964.

**REGULATION MADE UNDER
THE FARM PRODUCTS MARKETING ACT
EGGS AND FOWL—MARKETING**

1. In this Regulation,

- (a) "dealer" means a person, other than a processor, who buys or receives fowl from a producer;
- (b) "eggs" means eggs of a domestic hen produced in Ontario;
- (c) "fowl" means a domestic hen not less than six months of age that is produced in Ontario and lays eggs;
- (d) "local board" means The Ontario Egg and Fowl Producers' Marketing Board;
- (e) "plan" means The Ontario Egg and Fowl Producers' Marketing Plan;
- (f) "processing" means the slaughtering of fowl;
- (g) "processor" means a person engaged in the slaughtering of fowl;
- (h) "producer" means a person engaged in the production of eggs and fowl.

2. This Regulation applies to the control and regulation in any or all respects of the marketing within Ontario of eggs and fowl.

3. The Board exempts from this Regulation eggs and fowl produced in,

- (a) the territorial districts of Ontario; and
- (b) the Provisional County of Haliburton.

4.—(1) No person shall commence or continue to engage in the producing of eggs and fowl except under the authority of a licence as a producer of eggs and fowl in Form 1.

(2) Every producer shall be deemed to be the holder of a licence in Form 1.

5.—(1) No person shall commence or continue to engage in the dealing in fowl except under the authority of a licence as a dealer in fowl in Form 3.

(2) No licence as a dealer in fowl shall be issued except upon application therefor in Form 2.

6.—(1) No person shall commence or continue to engage in the processing of fowl except under the authority of a licence as a processor of fowl in Form 5.

(2) No licence as a processor of fowl shall be issued except on application therefor in Form 4.

7.—(1) A licence in Form 3 or 5 expires with the 31st day of August next following the date on which the licence is issued.

(2) A licence in Form 3 or 5 shall be issued without charge.

8.—(1) The Board may refuse to grant a licence where the applicant is not qualified by experience, financial responsibility and equipment to engage in properly the business for which the application was made, or for any other reason that the Board deems proper.

(2) The Board may suspend or revoke or refuse to renew a licence for failure to observe, perform or carry out the provisions of the Act, the regulations, the plan or any order or direction of the Board or the local board.

(3) Any person whose licence was refused, suspended or revoked or was not renewed may appear before the Board to show cause why such licence should not be refused, suspended or revoked or why such renewal should not be refused, as the case may be.

9.—(1) Every producer shall pay to the local board licence fees at the rate of two cents for each fowl produced by him that is used for processing.

(2) Every dealer or processor who receives any fowl from a producer shall deduct the licence fees payable to the local board by the producer from the moneys payable to the producer.

(3) Every dealer or processor shall forward to the local board the licence fees deducted under subsection 2 in any month not later than the 15th day of the next following month.

(4) Every person who produces and processes fowl shall pay to the local board the licence fees payable by such person not later than the 15th day of the month next following the month in which the fowl was processed.

(5) The local board may recover the licence fees payable to it from a producer, dealer or processor, as the case may be, by suit in a court of competent jurisdiction.

10.—(1) The Board authorizes the local board to use the licence fees and other moneys payable to it for the purpose of paying the expenses of the local board, carrying out and enforcing the Act and the regulations and carrying out the purposes of the plan.

(2) The Board authorizes the local board to establish a fund in connection with the plan for the payment of any moneys that may be required for the purposes mentioned in subsection 1.

11. The Board delegates to the local board the power,

- (a) to require persons engaged in producing or marketing eggs and fowl to furnish such information relating to the production or marketing of eggs and fowl as the local board determines;
- (b) to appoint persons to inspect the books, records, lands and premises and any eggs and fowl of persons engaged in the marketing of eggs and fowl;
- (c) to stimulate, increase and improve the marketing of eggs and fowl by such means as it deems proper.

12.—(1) There shall be a negotiating agency to be known as "The Negotiating Committee for Eggs and Fowl" composed of seven persons to be appointed on or before the 15th day of October in the year 1964 and on or before the 1st day of September in each year thereafter, of whom three shall be appointed by the local board, three shall be appointed by the dealers and processors and the chairman shall be appointed by the Board from its members.

(2) Where the local board or the dealers and processors fail to appoint the persons in accordance with subsection 1, the Board may appoint such representatives as are necessary to complete the negotiating agency.

(3) The first members of the negotiating agency shall hold office until the 31st day of August, 1965 and thereafter each member of the negotiating agency shall be appointed to hold office until the 31st day of August of the year next following his appointment.

(4) Where a member of the negotiating agency dies or resigns or is unavailable to act before the expiration of his term of membership, the local board or the processors and dealers, as the case may be, who appointed him shall appoint a person for the unexpired term of the member who died, resigned or was unavailable to act.

(5) Where the local board or the processors and dealers, as the case may be, fail to make an appointment under subsection 4, the Board may appoint such persons as are necessary to complete the negotiating agency.

13. The Negotiating Committee for Eggs and Fowl may settle by agreement,

- (a) terms, conditions and forms of agreements relating to the producing or marketing of eggs and fowl; and
- (b) any charges, costs or expenses relating to the production or marketing of eggs and fowl.

14. The Negotiating Committee for Eggs and Fowl may make recommendations to the local board on market research and market promotion for eggs and fowl.

15. A meeting of The Negotiating Committee for Eggs and Fowl may be convened by a notice in writing given by the three members appointed by the local board or by the three members appointed by the dealers and processors to the other members and the chairman at least seven days but not more than ten days before the date of the meeting, stating the time and place of the meeting.

16. This Regulation comes into force on the 1st day of October, 1964.

THE FARM PRODUCTS MARKETING BOARD:

G. A. McCAGUE,
Chairman.

J. W. DRENNAN,
Secretary.

Dated at Toronto, this 22nd day of July, 1964.

Form 1

The Farm Products Marketing Act

LICENCE AS A PRODUCER OF EGGS AND FOWL

Under The Farm Products Marketing Act and the regulations, and subject to the limitations thereof, this licence is issued

to.....
(name)

of.....
(address)

to produce eggs and fowl.

Dated at Toronto, this..... day of....., 19....

THE FARM PRODUCTS MARKETING BOARD:

.....
Chairman

.....
Secretary

Form 2

The Farm Products Marketing Act

APPLICATION FOR LICENCE AS A DEALER IN FOWL

To The Farm Products Marketing Board:

.....
(name of applicant)

.....
(address)

makes application for a licence as a dealer in fowl under The Farm Products Marketing Act.

Dated at....., this..... day of....., 19...

.....
(signature of applicant)

.....
(where applicant is a corporation or partnership, signature of person authorized to sign)

.....
(office)

Form 3

The Farm Products Marketing Act

LICENCE AS A DEALER IN FOWL

Under *The Farm Products Marketing Act* and the regulations, and subject to the limitations thereof, this licence is issued

to.....
(name)

of.....
(address)

to engage in the dealing in fowl.

This licence expires with the 31st day of August next following the date of issue.

Dated at Toronto, this.....day of....., 19....

THE FARM PRODUCTS MARKETING BOARD:

.....
Chairman

.....
Secretary

Form 4

The Farm Products Marketing Act

APPLICATION FOR LICENCE AS A PROCESSOR OF FOWL

To The Farm Products Marketing Board:

.....
(name of applicant)

.....
(address)

makes application for a licence as a processor of fowl under *The Farm Products Marketing Act*.

Dated at....., this.....day of....., 19....

.....
(signature of applicant)

.....
(where applicant is a corporation or partnership, signature of person authorized to sign)

.....
(office)

Form 5

The Farm Products Marketing Act

LICENCE AS A PROCESSOR OF FOWL

Under *The Farm Products Marketing Act* and the regulations, and subject to the limitations thereof, this licence is issued

to.....
(name)

of.....
(address)

to engage in the processing of fowl.

This licence expires with the 31st day of August next following the date of issue.

Dated at Toronto, this.....day of....., 19....

THE FARM PRODUCTS MARKETING BOARD:

.....
Chairman

.....
Secretary

(1050)

32

THE HIGHWAY IMPROVEMENT ACT

O. Reg. 194/64.

Designations—Trans-Canada Highway—

Orillia to Quebec Boundary.

Made—July 23rd, 1964.

Filed—July 29th, 1964.

REGULATION MADE UNDER THE HIGHWAY IMPROVEMENT ACT

1. Schedule 13a to Regulation 219 of Revised Regulations of Ontario, 1960, as made by section 1 of Ontario Regulation 40/62, is revoked.

2. Regulation 219 of Revised Regulations of Ontario, 1960, as amended by Ontario Regulations 180/61, 285/61, 360/61, 386/61, 40/62, 151/62, 181/62, 113/63 and 175/63, is further amended by adding thereto the following schedules:

BEAVERTON BY-PASS

Schedule 2a

In the Township of Thorah in the County of Ontario being,

(a) part of lots 10 and 11 in each of concessions 1, 2, 3, 4, 5, 6 and 7;

(b) part of Lot 10, Concession 8;

(c) part of the road allowance between,

(i) lots 10 and 11 in each of concessions 1, 2, 3, 4, 5, 6, 7 and 8,

(ii) concessions 1 and 2,

(iii) concessions 2 and 3,

(iv) concessions 3 and 4,

(v) concessions 4 and 5,

(vi) concessions 5 and 6,

(vii) concessions 6 and 7,

(viii) concessions 7 and 8, and

(ix) the townships of Thorah and Brock; and

(d) part of County Road No. 13, (in Lot 10 in each of concessions 4 and 5),

and being that portion of the King's Highway shown outlined on Department of Highways plan P-1605-33, registered in the registry office for the registry division of the County of Ontario as No. 751 Highways.

5.80 miles, more or less.

Schedule 2b

In the Township of Brock in the County of Ontario being,

- (a) part of lots 12 and 13, Concession 14; and
- (b) part of the road allowance between,
 - (i) lots 12 and 13, Concession 14, and
 - (ii) the townships of Brock and Thorah,

and being that portion of the King's Highway shown outlined on Department of Highways plan P-1601-30, registered in the registry office for the registry division of the County of Ontario as No. 748 Highways.

0.75 mile, more or less.

(1051)

32

THE HIGHWAY IMPROVEMENT ACT**O. Reg. 195/64.**

Designations—Miscellaneous Southern Ontario.

Made—July 23rd, 1964.

Filed—July 29th, 1964.

**REGULATION MADE UNDER
THE HIGHWAY IMPROVEMENT ACT**

1. Regulation 213 of Revised Regulations of Ontario, 1960, as amended by Ontario Regulations 175/61, 342/61, 13/62, 39/62, 42/62, 180/62, 248/62,

265/62, 276/62, 287/62, 307/62, 314/62, 54/63, 174/63, 259/63, 331/63 and 173/64, is further amended by adding thereto the following Schedule:

Schedule 61a

In the City of London in the County of Middlesex being,

- (a) part of lots 29, 30 and 31, registered plan 285;
- (b) part of lots 12 and 13, registered plan 640;
- (c) part of lots 2 and 3, registered plan 266;
- (d) part of lots 24 to 38, both inclusive, registered plan 527;
- (e) part of the road allowance between lots 8 and 9 (Highbury Avenue); and
- (f) part of Hall Street, registered plan 527,

and being that portion of the King's Highway shown outlined on Department of Highways plan P-4023-5 registered in the registry office for the registry division of the County of Middlesex as No. 199041.

(1052)

32

Publications Under The Regulations Act

August 15th, 1964

THE INDUSTRIAL SAFETY ACT, 1964

O. Reg. 196/64.

General.

Made—July 23rd, 1964.

Filed—July 31st, 1964.

REGULATION MADE UNDER THE INDUSTRIAL SAFETY ACT, 1964

GENERAL

INTERPRETATION

1. In this Regulation,

- (a) "chief inspector" means the person designated by the Minister as the chief inspector;
- (b) "lifting device" means a device that is used to raise or lower any material or object and includes its rails and other supports but does not include a device to which *The Elevators and Lifts Act* or *The Construction Hoists Act, 1960-61* applies;
- (c) "prime mover" means an initial source of motive power;
- (d) "transmission machinery" means any object or objects by which the motion of a prime mover is transmitted to a machine that is capable of utilizing such motion and includes a shaft, pulley, belt, chain, gear, clutch or other device.

GENERAL

2.—(1) An application under subsection 2 of section 16 of the Act for approval of the drawings and specifications of the construction, reconstruction, addition to or alteration of a building to which the section applies shall be in Form 1.

(2) Subject to subsection 3, the fees to be paid by the applicant for the approval by an engineer of the Department of drawings and specifications submitted to him shall be, where the estimated cost approved by him is,

- (a) not more than \$100, nil;
- (b) more than \$100 but not more than \$1,000, \$3; and
- (c) more than \$1,000,
 - (i) \$3, and
 - (ii) \$1 for each additional \$1,000, or fraction thereof in excess of the first \$1,000.

(3) No fee greater than \$5,000 shall be payable in any event.

3.—(1) A notice under subsection 2 of section 11 of the Act shall be in Form 2.

(2) An application under subsection 2 of section 27 of the Act for a permit,

- (a) to employ a homeworker shall be in Form 3; or
- (b) to do homework shall be in Form 4.

4. No person in an industrial establishment shall misuse, or without reasonable cause, remove or interfere with anything provided for securing the safety or welfare of any person in or about the industrial establishment.

5. No person in an industrial establishment shall use anything provided under the Act or this Regulation for a purpose other than the purpose for which the thing is provided.

6. No person in an industrial establishment shall engage in any contest, feat of strength, unnecessary running or rough or boisterous conduct that is likely to endanger the safety of any person.

7.—(1) Every employer who is in charge of a factory shall ensure that no person whose faculties are impaired by alcohol or a drug or who has in his possession any alcohol remains in the factory.

(2) No person whose faculties are impaired by alcohol or a drug or who has in his possession any alcohol or drug shall enter or remain in any factory.

8. No employer shall require a person to lift, carry or move anything so heavy or in such manner as to be likely to endanger his safety or the safety of any other person in an industrial establishment.

9.—(1) No employer shall knowingly permit any person who is affected with a communicable disease within the meaning of *The Public Health Act* to work in an industrial establishment except in compliance with *The Public Health Act*.

(2) No person who to his knowledge is affected with a communicable disease within the meaning of *The Public Health Act* shall work in an industrial establishment, except in compliance with *The Public Health Act*.

10. Every employer shall ensure that no part of a factory or shop is kept or used for sleeping without the written consent of the chief inspector.

DANGEROUS PLACES

11. Every employer shall ensure that,

- (a) every opening, place or thing that is likely to be a source of danger to any person is securely fenced or guarded;
- (b) every floor, roof or other part of a building or structure is,
 - (i) capable of safely supporting or withstanding any load to which it is likely to be subjected, and
 - (ii) so loaded as to be capable of supporting or withstanding such load, and
- (c) the maximum safe load that the floor or roof of the building or structure is capable of bearing is conspicuously marked or posted to the satisfaction of an inspector when so directed by him.

12.—(1) No confined space referred to in this section shall be tested by any person other than a competent person,

- (a) designated by the employer; and
- (b) whose name is recorded on the premises and is at all times available to an inspector,

and such person shall record the result of each test conducted by him.

(2) Every employer shall ensure that any tank, vat, chamber, pit, pipe, flue or other confined space that may be entered by any person,

- (a) has a suitable man-hole or other means of easy egress from all accessible parts of the confined space; and
- (b) is safe for entry.

(3) Where gases, vapours, mists, fumes or dusts that are likely to be dangerous to a person are present in any of the confined spaces referred to in subsection 2, or there is in the confined space a deficiency of oxygen or a temperature that is likely to be dangerous to a person, the employer shall ensure that no person enters the space unless,

- (a) every practicable step has been taken to remove from the confined space such gases, vapours, mists, fumes or dusts;
- (b) effective steps have been taken to prevent entry into the confined space of additional quantities of such gases, vapours, mists, fumes or dusts;
- (c) the confined space has been competently tested and found safe for entry without the use of a breathing apparatus; and
- (d) ventilation adequate for the safety of any person therein is provided.

(4) Where any of the confined spaces referred to in subsection 2 has been tested and found,

- (a) unsafe for entry; or
- (b) safe for entry but may thereafter become unsafe to remain in or enter,

unless the person is using a suitable breathing apparatus, the employer shall ensure that no person enters or remains in such confined space unless,

- (c) the person is using a suitable breathing apparatus and a safety harness or other similar equipment to which is securely attached a rope, the free end of which is held by a person equipped with a suitable alarm who is keeping watch outside the confined space and who is capable of pulling such person from the confined space;
- (d) the safety harness, rope and other equipment mentioned in clause *c* is periodically inspected by the employer and is maintained in good working order at all times;
- (e) there is conveniently available a person adequately trained in artificial respiration; and
- (f) the person is using such other equipment necessary to ensure his safety.

(5) Where a confined space has been tested and found safe for entry for a specified time but may thereafter become unsafe unless a person is using a suitable breathing apparatus, the employer shall ensure that any person who enters the space without using a suitable breathing apparatus,

- (a) leaves the space at the end of the specified time; and
- (b) does not re-enter or remain in the space except in compliance with clauses *c*, *d*, *e*, and *f* of subsection 4.

(6) Where any confined space contains any dangerous liquid or solid or is at a temperature that endangers the safety of any person, the employer shall

ensure that no person enters or remains in the space unless he is using equipment or devices that will ensure his safety.

13.—(1) No employer shall use any silo, bin, hopper, structure, container or thing for containing or storing any dry bulk material or employ any person to work in connection therewith, unless the silo, bin, hopper, structure, container or thing is so constructed as to permit the safe removal of the material therefrom.

(2) No employer shall use any silo, bin, hopper, structure, container or thing that is constructed to discharge from the bottom, dry bulk material contained or stored in it, or employ any person to work in connection therewith, unless the top of the silo, bin, hopper, structure, container or thing is,

- (a) provided with a solid cover;
- (b) guarded with a metal grating or bars;
- (c) traversed by a gangway; or
- (d) encircled or encompassed at its perimeter by a platform having a railing,

satisfactory to an inspector.

(3) Every employer shall ensure that no person enters or remains in and no person shall enter or remain in any silo, bin, hopper, structure, container or thing for containing or storing bulk material unless,

- (a) it is necessary so to do;
- (b) all further supply of material thereto is stopped and proper precautions are taken to prevent any further supply;
- (c) the person is wearing a safety harness or other similar equipment attached to a rope or lifeline that is as short as practicable under the circumstances and one end of which is securely fastened to a fixed object outside the silo, bin, hopper, structure, container or thing; and
- (d) at least one other person equipped with a suitable alarm and capable of rendering any necessary assistance is keeping watch nearby.

14. Every employer shall ensure that no person works and no person shall work on or near any bulk material that is so piled or disposed as to be likely to endanger his safety.

15.—(1) Every employer shall ensure that every tank, vat or other container for holding a liquid, the top edge of which is less than three feet six inches above the highest floor, ground or platform from which a person might fall into it, is securely covered or securely fenced to at least three feet six inches above such floor, ground or platform.

(2) Where, in the opinion of an inspector, the covering or fencing required by subsection 1 is not practicable, the employer shall ensure that all practicable means satisfactory to the inspector are taken to prevent any person from falling into the tank, vat, or other container.

(3) Where the tank, vat, or other container is safeguarded by any means other than covering or fencing under subsection 1, the employer shall ensure that any stair or gangway above, across or inside the container is,

- (a) at least twenty-two inches wide;
- (b) provided with an upper rail and either an intermediate rail and toe board or equivalent protection on both sides to a height of not less than three feet six inches; and
- (c) securely fixed.

DANGEROUS MATERIAL

16. Where,

- (a) any grinding, polishing, screening or other process is likely to produce dust or other particles of such size or character and to such an extent as to be capable of producing a flammable mixture; or
 - (b) any mixing, handling, dispensing or storage of any material is likely to produce a gas, vapour or mist of such character and to such extent as to be capable of producing a flammable mixture,
- the employer shall ensure that all practicable steps are taken to,
- (c) enclose the equipment used in the process;
 - (d) prevent or remove any accumulation of dust, vapour, gas or mist that may escape from the enclosure;
 - (e) exclude or effectively enclose all potential sources of ignition of the flammable mixture;
 - (f) restrict the spread and effects of any burning or explosion by the provision of vents, baffles and chokes, or other devices satisfactory to an inspector; and
 - (g) when so directed by an inspector, create and maintain an inert atmosphere in contact with dust or other particles mentioned in clause *a* or mixed with the gas, vapour or mist mentioned in clause *b*.

17. Where any gas, liquid, vapour or dust is under pressure other than atmospheric pressure, no person shall open its container and every employer shall ensure that the container is not opened unless,

- (a) before any fastening of the container and of any container connected therewith is loosened, any flow into or out of such container is effectively stopped; and
- (b) before any fastening of the container is removed, all practicable steps are taken to adjust the pressure of gas, vapour, liquid or dust in the container so that the pressure equals atmospheric pressure,

and if any such fastening has been loosened or removed, every employer and other person shall ensure that no gas, vapour, liquid or dust enters the container until the fastening has been secured or securely replaced.

18. Every employer shall ensure that no container that is or has been used for any explosive or flammable substance shall be altered or repaired, and no person shall alter or repair the container by welding, brazing, soldering or any operation that involves an open flame or other potential source of ignition, unless all practicable steps have been taken to,

- (a) remove the substance and any fume; gas, vapour or dust arising from it; or
- (b) render the substance and any fume, gas, vapour or dust arising from it non-explosive or non-flammable,

and if such container has been subjected to any such alteration or repair, the employer and employee shall ensure that no explosive or flammable substance enters the container until the container has cooled sufficiently to prevent any risk of igniting the substance.

19. Subject to *The Energy Act* and *The Gasoline Handling Act* and the regulations under those Acts, every employer in an industrial establishment shall

ensure that any dangerous, flammable or explosive material, substance or thing in a solid, liquid or gaseous state or any combination of them, that is kept, stored or handled,

- (a) is in a container that is suitable having regard to the nature and state of the material, substance or thing; and
- (b) is safely apart or insulated from any reasonably foreseeable source of ignition or from temperatures likely to cause combustion,

and where the material, substance or thing is kept, stored or handled for a purpose other than immediate manufacture or immediate use or sale, it shall be kept, stored or handled,

- (c) outside any building;
- (d) in a building not used for any other purpose; or
- (e) in a fire-resistive compartment satisfactory to an inspector as to location and construction.

VENTILATION AND DUST CONTROL

20. Every employer shall,

- (a) provide for a supply of fresh air into, and the removal of air from an industrial establishment that is sufficient to keep the air reasonably pure and to render harmless so far as is reasonably practicable all gases, vapours, dusts or other impurities that are likely to endanger the safety of any person therein;
- (b) where a process is carried on that produces a gas, vapour, dust or other impurity that is likely to be inhaled to an injurious extent by persons in the industrial establishment, provide and use such mechanical means satisfactory to an inspector, as are capable of,
 - (i) preventing as far as is reasonably practicable such inhalation,
 - (ii) effectively carrying off and disposing of such gases, vapours or dusts, and
 - (iii) preventing the recirculation and re-entry into the industrial establishment of air containing such impurities.
- (c) ensure that air exhausted from any process using silica, benzol, lead, asbestos, beryllium or other toxic or hazardous material is discharged to the outdoors so as not to endanger the safety of any person in the industrial establishment and is not returned to the industrial establishment;
- (d) ensure that any place where dust may accumulate is regularly cleaned by vacuum, wet sweeping, wet shovelling or other method that reduces the dissemination of dust into the atmosphere;
- (e) ensure that all ventilation systems, their collection systems and emptying processes used for controlling the dissemination of gases, vapours, dust or other impurities are working effectively and to the satisfaction of an inspector;
- (f) ensure that dust collectors are not located inside any building of the industrial establishment unless otherwise permitted by an inspector;

- (g) ensure that all equipment used to control or handle gases, vapours, dusts or other impurities is maintained in good operating condition;
- (h) ensure that abrasive blasting or other like operation inside a building is conducted in a blasting enclosure so constructed and ventilated as to effectively prevent dust entering the atmosphere of the building;
- (i) ensure that the system for ventilating the blasting enclosure is in operation while the enclosure is occupied or in use;
- (j) ensure that all abrasive blasting or other like operation that is likely to expose any person to abrasive material or dust that contains free silica, is performed in accordance with the following provisions:
 1. Where the abrasive blasting or other like operation is performed inside a container or blasting enclosure, a sufficient volume of air shall be drawn through the container or enclosure so that dust is rapidly removed after the operation has ceased.
 2. Every person who is performing abrasive blasting or other like operation shall wear a helmet of a type satisfactory to an inspector and supplied for the person's individual use.
 3. The helmet shall be supplied with air at a temperature satisfactory to an inspector, taken from a clean source and not contaminated with oil or other impurities.
 4. Air in a volume sufficient to prevent dust entering from the surrounding atmosphere shall be supplied to the helmet.
- (k) take such additional steps to prevent the production or dissemination of dust as an inspector deems necessary in the circumstances.

21.—(1) Where any abrasive material or dust produced by an abrasive blasting or other like operation does not contain free silica, the blasting operation shall be performed in a manner satisfactory to an inspector.

(2) Where, in the opinion of an inspector, any means of dust control prescribed by this Regulation is impracticable, the inspector shall require the employer to provide an employee who is likely to be exposed to dust with respiratory equipment satisfactory to the inspector.

SUBSTANCES DANGEROUS TO HEALTH

22. Where any person in an industrial establishment is exposed to any substance that is likely to endanger his health, the employer shall, when so required by the chief inspector on advice of the director of the Industrial Hygiene Branch, Department of Health, post in a conspicuous place printed forms approved by the director stating the dangers involved and the precautions necessary for the protection of such person.

23. Any manufacturer, distributor or other person offering for use in any industrial process any substance that contains any ingredient that is likely to endanger the safety of any employee in an industrial establishment shall provide accurate information regarding the percentage of such ingredient when requested by the chief inspector or by the director of the Industrial Hygiene Branch, Department of Health.

24.—(1) The chief inspector, on the advice of the director of the Industrial Hygiene Branch, Department of Health may require at specified intervals by qualified physicians and at the expense of the employer a physical examination of any person employed in an industrial establishment having a process that the director considers is likely to endanger such person's safety, and the physician shall forthwith send or cause to be sent to the director, a report of the examination in a form suitable to the director.

(2) The examination required under subsection 1 shall be prescribed by the director and may include an x-ray examination and a blood test or other test.

25.—(1) Any person who, for use in an industrial establishment, manufactures, distributes or purchases any substance that contains benzol, carbon tetrachloride, lead or other ingredient that is deemed dangerous to health by the director of the Industrial Hygiene Branch, Department of Health, shall indicate the presence of such benzol, carbon tetrachloride, lead or other ingredient by a label lettered in legible type, distinctly visible and affixed to each package or container thereof.

(2) Subsection 1 does not apply to lead compounds used only as dryers in the preparation of paint products.

26. Every duly qualified physician shall report forthwith to the director of the Industrial Hygiene Branch, Department of Health, any case of industrial disease or of suspected industrial disease coming to his attention on report forms to be supplied by the director.

MACHINERY

27. Every employer shall ensure that clearances adequate for the safety of persons in an industrial establishment are maintained between the moving part of any machine or any material carried by the moving part and any other machine, structure or thing.

28.—(1) Every employer shall ensure that every prime mover, machine, transmission machinery, device, place, matter or thing, or part or parts thereof, that is dangerous to the safety of any person in the industrial establishment is safely fenced or guarded unless,

(a) its position, construction or attachment assures the same protection as if it were safely fenced or guarded; or

(b) it is provided with a safety device that automatically prevents a person operating it from coming into contact with any dangerous part.

(2) Every set screw, bolt or key on any revolving shaft, spindle, wheel or pinion connected to or forming part of or appurtenant to any machine, transmission machinery or device in an industrial establishment, shall be so recessed, encased, located or otherwise effectively guarded as to prevent injury to any person.

29.—(1) No person in an industrial establishment shall,

(a) clean, oil, adjust, repair or perform maintenance work on any machine, transmission machinery, device, or thing while it or any part of it that is likely to endanger the safety of any person is in motion, except when such work is not practicable while the machine, transmission machinery, device or thing is stopped; or

(b) except with the written permission of an inspector, work between any machinery, objects or things one or more of which are likely to move in a manner dangerous to his safety.

(2) Every employer shall ensure that no person works in contravention of subsection 1.

(3) Every employer shall ensure that no person works and no person shall work where the accidental starting of a machine, transmission machinery, device or thing is likely to endanger the safety of any person unless effective precautions to prevent such accidental starting are taken, including the locking-out of control switches or other control mechanisms and the posting of warning signs satisfactory to an inspector.

30. Every employer shall ensure that no person works without supervision at any machine unless the person,

- (a) has received adequate training and instruction in the operation of the machine and any dangers connected therewith;
- (b) has received adequate supervision by a person having thorough knowledge and experience with the machine; and
- (c) is capable of safely operating the machine without supervision.

31.—(1) Every employer shall ensure that,

- (a) the safe working load or loads of every lifting device is plainly marked thereon;
- (b) no lifting device is loaded beyond its safe working load except for the purpose of a test or when the load is certified as safe by a person satisfactory to an inspector;
- (c) no cable, chain, rope, sling, ring, hook, shackle, swivel or other part of a lifting device is used unless it is of good construction, sound material and adequate strength to safely support the maximum load to which it is likely to be subjected and is properly maintained;
- (d) every lifting device is thoroughly examined at least annually by a competent person;
- (e) all rails on which a lifting device moves are of proper size and properly laid and maintained and have an even running surface;
- (f) no newly-installed lifting device is used until it has been thoroughly tested and examined by a competent person;
- (g) where any person is on or near the wheel track of a travelling crane in any place where the safety of such person is likely to be endangered by the crane, the operator of the crane is warned of the presence of such person and the crane or any part thereof does not approach within ten feet of the place; and
- (h) no overhead crane is moved when any person is in or under the path of the crane or its load until the person is adequately warned of the proposed movement.

(2) The onus of proving compliance with subsection 1 is on the employer.

32. Every employer shall ensure that steps practicable in the opinion of an inspector are taken to prevent injury to the hearing of a person in an industrial establishment by reducing or eliminating noise from any machine or device.

PERSONAL PROTECTIVE DEVICES AND CLOTHING

33.—(1) Every employer shall ensure that no person under his control is in any place or works,

(a) where he is likely to be exposed to head injury unless he is wearing a hat manufactured for the purpose of preventing such injury;

(b) where he is likely to be exposed to eye injury,

- (i) from flying particles,
- (ii) from hazardous substances,
- (iii) from sharp objects, or
- (iv) from harmful light or other rays,

unless he is protected by a screen, clear or coloured eye shields, as appropriate, or other suitable devices manufactured for the purpose of protecting persons from such injury;

(c) where he is likely to be exposed to foot injury,

- (i) from falling or crushing objects,
- (ii) from hot, corrosive or poisonous substances,
- (iii) from sharp objects, or
- (iv) because of wet locations,

unless he is wearing footwear or other protective device manufactured for the purpose of protecting persons from such injury;

(d) where he is likely to be exposed to injury from dangerous gases, vapours, mists, fumes, dust or a deficiency of oxygen, unless he is protected by wearing suitable breathing apparatus manufactured for the purpose of protecting persons from such exposure; or

(e) where he is likely to be exposed to any injury not mentioned in clauses *a*, *b*, *c*, or *d* unless he is wearing or using such protective clothing or devices as will effectively protect him from injury; or

(f) near any rotating shaft, spindle, gear, belt or other possible source of entanglement,

- (i) while wearing any rings or loose or dangling clothing or jewellery, or
- (ii) in the case of a female while her hair is not confined closely to her head by suitable headgear.

(2) Every employer, before requiring any person under his control to be in any place or work where protective clothing or devices are required by this section, shall notify such person of the requirements of this section and shall ensure that such person is adequately instructed in the use of such protective clothing or devices.

(3) Where, in the opinion of an inspector, compliance with this section will not prevent injury to a person from a harmful substance, the employer shall provide such safety showers, eye wash fountains or other emergency equipment as the inspector directs.

34. No person shall wear open-toed or high heeled shoes in a factory unless otherwise permitted by an inspector.

35. No person in an industrial establishment shall fail to use or wear any protective clothing or devices required by this Regulation.

EXITS

36.—(1) In an industrial establishment the owner shall provide and properly maintain means of egress convenient to and having easy communication with all rooms likely to be occupied by a person including,

(a) tower stairs of fire-resistive construction equipped with fire-resistive doors and hardware satisfactory to an inspector at each storey including the basement; and

(b) where permitted by an inspector, metal or other non-combustible fire escapes consisting of exterior stairways with railings and with landings at each storey connecting directly with the interior of the building through metal or other fire-resistive doors.

(2) Any drawings and specifications of a fire escape or tower stair for an industrial establishment submitted to an engineer of the Department for approval under section 2 of this Regulation shall show the size and composition of all structural members and enclosures and shall include,

(a) floor plans, elevations and sections of the fire escape or tower stairway drawn to a scale of not less than one-quarter of an inch to the foot;

(b) details drawn to a scale of not less than one inch to the foot; and

(c) a plan showing the location of the fire escape or tower stair on the building in relation to other means of egress to a yard or public street drawn to a scale of not less than one-sixteenth of an inch to the foot.

(3) The owner or employer in charge of the industrial establishment shall provide and properly maintain such equipment and facilities as directed by an inspector for protection from fire and the prevention and extinguishment thereof.

37.—(1) No person in an industrial establishment shall lock, bolt or bar any door and every person having authority over access to or egress from the building shall ensure that no such door is locked, bolted or barred while any person, except a watchman with suitable keys to all doors, is in the building.

(2) Subsection 1 does not apply to a room that is unoccupied and does not form part of a means of egress from an occupied room or floor area.

(3) Notwithstanding that a door is locked to prevent ingress to a building or room, the door shall be deemed to be not locked, bolted or barred if it is provided with a mechanism for unlocking it quickly from the inside that requires no special skill, effort or previous knowledge for its operation.

(4) Every owner or employer shall ensure that,

(a) no means of egress under his control is obstructed; and

(b) no door to a fire escape, tower stair or other smoke-proof enclosure under his control is prevented from closing or remaining closed.

(5) Except in the case of a grain elevator, no outside fire escape shall extend above the third floor of a building used as an industrial establishment erected after the first day of July, 1952, and for the purposes of this subsection the ground floor is deemed to be the first floor.

EMPLOYEE FACILITIES

EMPLOYER'S RESPONSIBILITIES

38.—(1) An employer shall,

(a) keep the premises in a clean and sanitary condition and free from any effluvia arising from refuse of any kind and remove, at least daily, by a suitable method, all accumulations of oil, grease, dirt and refuse from the floors,

work tables, passages and stairways and as far as practicable, keep all windows and skylights clean on both the inner and outer surfaces and free from obstructions, but an employer may shade or tint such windows and skylights for the purpose of mitigating heat or glare;

(b) keep all passageways and other walking surfaces used by his employees and under his control in a safe condition and free from obstructions or accumulations of ice or snow;

(c) not use on a walking surface any finish or protective material that is likely to make such surface slippery;

(d) provide and maintain sufficient and suitable natural or artificial lighting without unnecessary glare or shadows where persons are working or passing in the industrial establishment;

(e) keep toilet rooms and washrooms that are under his control adequately lighted, in good repair and in a sanitary condition;

(f) keep toilets, urinals and other sanitary conveniences that are under his control in good repair and in a sanitary condition;

(g) ensure that the temperature of the industrial establishment is regulated so as to be suitable for the work to be performed therein and so as to be not likely to endanger the safety of any person or cause unnecessary discomfort but in no case shall the temperature be less than 68° Fahrenheit unless permitted by an inspector in writing;

(h) ensure that crowding that is likely to endanger the safety of persons therein does not occur;

(i) provide and maintain for the use of employees a convenient and sufficient supply of clean towels, soap or other suitable cleansing agent, toilet paper and in each toilet room used by females a suitable covered receptacle;

(j) ensure that adequate means are provided for the proper draining of floors that are liable to be wet to such an extent that the safety of any person therein is likely to be endangered;

(k) provide a supply of safe drinking water in a place where the tap or outlet is distant from any water closet or urinal and, when the supply is not taken directly from a water pipe, the supply shall be contained in a covered vessel having a drain faucet and shall be renewed at least daily;

(l) where the drinking water is not delivered in an upward jet from which the employees can conveniently drink, provide a sufficient supply of individual drinking cups located near the tap or outlet;

(m) except where otherwise permitted by an inspector, provide not less than one tap or outlet for drinking water on every floor where work is regularly performed and within 300 feet of every employee's normal work station;

(n) provide suitable accommodation for clothing not worn by employees during working hours and for work clothes that must be dried or cleaned or kept separate from street clothes because of the presence of poisonous, irritating or infectious materials;

(o) where in the opinion of an inspector the safety of any person is likely to be endangered by the presence of poisonous, irritating or in-

fectious materials or gases or by extremes of temperature or humidity, provide such shower baths and additional wash basins supplied with sufficient hot and cold water, as the inspector deems necessary;

- (p) if thirty-five or more persons are employed or working in the industrial establishment or if an inspector so directs in writing, provide at his own expense a room, area or place for eating purposes together with equipment satisfactory to an inspector;
 - (q) ensure that no person takes food into or eats in a room, area or place where paint, varnish, dye, lead, arsenic or any other poisonous substance is exposed or where deleterious vapours, mists, fumes, dust or gases are known to be present or any other room, area or place designated by an inspector and shall ensure that drinking water in any such room, area or place is taken directly from a water pipe or fully enclosed container;
 - (r) if thirty-five or more females are employed or working in the industrial establishment or if an inspector so directs in writing, provide a female supervisor, matron, nurse or other competent female employee to have charge of the welfare of female employees, and such person may have other duties that do not prevent her from adequately attending to such welfare; and
 - (s) if ten or more females are employed or working in the industrial establishment, provide a rest room or other space affording reasonable privacy together with one or more couches or cots and chairs and satisfactory to an inspector.
- (2) No person shall take food into or eat in a room, area or place referred to in clause q of subsection 1.

39.—(1) Every employer who employs any person having in the course of his employment reasonable opportunities for sitting in safety or without detriment to his work or who employs any person whose work or a substantial portion thereof can be effectively performed while sitting shall provide and maintain a suitable chair or seat for that person at his place of work.

(2) The employer shall not by any contrivance or rule, open or covert threat or intimidation express or implied, prevent any person employed by him from using the chair or seat provided in accordance with subsection 1.

OWNER'S RESPONSIBILITIES

40. The owner of a building used as an industrial establishment shall,

- (a) at all times keep it or such parts thereof that are under his control properly lighted, heated and ventilated and in a clean and sanitary condition, and so as not to endanger the safety of persons in the building or having access to it;
- (b) ensure that the cause of any effluvia arising from any defective drain or plumbing is removed and the defect corrected;

- (c) ensure that any repairs required to keep the building in a safe and habitable condition are made;
- (d) ensure that all walking surfaces are constructed of materials that are not slippery when dry or wet;
- (e) arrange for a supply of pure drinking water available for each occupier;
- (f) provide washrooms and toilet rooms that are conveniently accessible and that,
 - (i) have legible signs indicating for which sex the room is provided and that are constructed so as to prevent a view of their facilities from outside the room and so as to prevent, as far as practicable, accidental entry into the room by a person of the opposite sex, and
 - (ii) are, where separated, adjacent and connected with a door or doorway,
 - (iii) have a ceiling height of not less than eight feet with the enclosing walls extended to the ceiling and constructed of material impervious to liquid to a height of not less than four feet,
 - (iv) that have mechanical exhaust to the outdoors at a volume of not less than two cubic feet per minute for each square foot of the floor area of the room, or that have windows or skylights so constructed that, for each toilet and for each urinal in the room, not less than two square feet of the window or skylight can be opened,
 - (v) have an opaque window or skylight where necessary to ensure privacy,
 - (vi) have smooth floors of terrazzo, vitrified tile, mastic tile, asphalt or other equally non-absorbent, easily cleaned material; and
- (g) where the toilet rooms and washrooms are used in common by more than one tenant, provide and maintain for the use of employees a convenient and sufficient supply of clean towels, soap or other cleansing agent, toilet paper and, in each toilet room used by females, a suitable covered receptacle.

41.—(1) Subject to subsection 2, separate washrooms and toilet rooms for male and female persons shall be provided by the owner of an industrial establishment.

(2) Where less than six persons are employed, the owner may provide a room containing a wash basin and a flush toilet and having a door that has a locking device on the inside.

42. When directed by an inspector, the owner shall provide for employees washrooms and toilet rooms that are separate from those provided for other persons having access to the industrial establishment.

43.—(1) Where six or more persons are employed in an industrial establishment, the owner shall provide for the number of employees of each sex in a group itemized in column 1 of the Table not less than the number of separate flush toilets and separate wash-basins for each sex set opposite thereto in column 2.

TABLE

Item	COLUMN 1		COLUMN 2	
	No. of male Employees	No. of female Employees	No. of	
			Toilets	Wash-basins
1	1 to 9	1 to 9	1	1
2	10 to 24	10 to 24	2	2
3	25 to 49	25 to 49	3	3
4	50 to 74	50 to 74	4	4
5	75 to 100	75 to 100	5	5
6	Over 100	Over 100	Add one toilet and one washbasin for each additional thirty employees or fraction thereof.	

(2) Notwithstanding subsection 1,

(a) in toilet rooms for more than nine male employees, urinals shall be substituted for not less than one-quarter and not more than one-half of the number of flush toilets required by subsection 1; or

(b) in toilet rooms for more than nine female employees, urinals may be substituted for not more than one-half of the number of flush toilets required by subsection 1.

(3) Subject to subsection 2, urinals or washfountains in straight trough form and washfountains in circular form may be provided in lieu of toilets or washbasins, as the case may be, and,

(a) where a circular washfountain is provided, each twenty inches of its circumference is deemed to be the equivalent of one wash basin; and

(b) where a urinal or washbasin in straight trough form is provided, each twenty-four inches of its length is deemed to be the equivalent of one toilet or one washbasin, as the case may be,

(4) Where washfountains or washbasins are provided, they shall be supplied with hot and cold water from taps or outlets that are satisfactory to an inspector.

(5) Where the municipality in which the industrial establishment is located is not serviced by a water or sewage system and flush toilets cannot be provided, privies or other toilets satisfactory to an inspector shall be provided.

(6) Every toilet for employees and every urinal for female employees shall occupy an individual compartment with a suitable door and lock and the compartment shall have a length of not less than four feet six inches and a width of not less than two feet eight inches.

(7) The height of any compartment door, wall or partition between toilets for employees and between urinals for female employees may be less than the height of the room but the top of the door or partition shall be not less than five feet six inches from the floor and the bottom not more than one foot from the floor.

(8) Every compartment shall be supplied with a clothes hook.

(9) Water for washing purposes shall not,

(a) exceed 140° Fahrenheit at any outlet; and

(b) be directly mixed with steam.

44.—(1) The employer in charge of a factory or shop shall provide such dressing rooms and shower rooms as an inspector may direct.

(2) Where working clothes require drying the employer shall provide facilities for drying satisfactory to an inspector.

45.—(1) Where individual showers are installed and no dressing room satisfactory to an inspector is provided adjacent thereto, the employer shall provide on at least one side of each shower stall a cubicle for dressing that is not less than three feet by three feet in size and that is separated from the stall and washroom by suitable draw curtains.

(2) Where the nature of the operations in the industrial establishment requires that an employee take a shower at the end of every shift to ensure his safety, the shower room shall be located between the room provided for clothes not worn by an employee during working hours and the room provided for work clothes.

46. An inspector may, with respect to an industrial establishment in operation before this Regulation comes into force, permit the continued use of such sanitary facilities satisfactory to him that are in use therein notwithstanding that such facilities do not comply with this Regulation.

EMPLOYMENT OF CHILDREN IN OFFICES AND SHOPS

47. A child of fourteen years of age may be employed in a shop, office or office building if,

(a) such employment is not likely to endanger his safety; and

(b) in the case of employment during school hours, the child furnishes the employer with a certificate issued in accordance with *The Schools Administration Act* permitting the absence of such child from school.

REPORTING

48.—(1) Where a fire, accident, or industrial disease in or about an industrial establishment occasions any injury to the body or health of a person employed therein whereby he is prevented or likely to be prevented for more than two calendar days from earning full wages, a notice in writing containing particulars of,

(a) name, address and type of business of the employer;

(b) the nature and the circumstances of the occurrence and the bodily injury sustained;

(c) the machinery or equipment involved;

(d) the time and place of the occurrence;

(e) the name and address of the injured employee;

(f) the name and address of any witness to the occurrence; and

(g) the name and address of the physician or surgeon, if any, by whom the workman was or is being attended for the injury,

shall be sent to the chief inspector at 8 York Street, Toronto 1, by the employer during or forthwith upon the termination of such two-day period.

(2) A true copy of the notice mentioned in section 115 of *The Workmen's Compensation Act* may be sent to the chief inspector in lieu of the notice mentioned in subsection 1.

49.—(1) Where in or about an industrial establishment a person is killed or critically injured from any cause,

(a) the employer shall forthwith notify an inspector of the occurrence by telephone, telegram or other direct means and shall, within forty-eight hours after the occurrence, send the chief inspector a written report of the circumstances of the occurrence, including the particulars required by subsection 1 of section 48; and

(b) no person shall, except for the purpose of saving life or relieving human suffering, interfere with, disturb, destroy, carry away or alter any wreckage, article or thing at the

scene of or connected with the occurrence until permission so to do is given by an inspector.

50.—(1) Subject to subsection 2, where an explosion occurs in an industrial establishment, a notice in writing containing particulars of such explosion shall be sent by the employer to the chief inspector at 8 York Street, Toronto 1, within twenty-four hours after the explosion occurred.

(2) A controlled explosion or an explosion of any container being filled in a suitable protective enclosure is deemed not to be an explosion for the purposes of subsection 1, unless such explosion endangers the safety of any person in the industrial establishment or damages any structure therein.

51. Regulation 134 of Revised Regulations of Ontario, 1960 and Ontario Regulations 6/62 and 72/62 are revoked.

Form 1

The Industrial Safety Act, 1964

APPLICATION FOR APPROVAL OF DRAWINGS AND SPECIFICATIONS

Under the Act and the regulations the undersigned,

as architect , engineer , owner ,
contractor , manufacturer , or agent ,

applies for the approval of the drawings and specifications, submitted herewith in duplicate, for the

construction , reconstruction , alteration , or addition of

(a) a factory , shop , office , office building

or other (*describe*).....

(b) a system for local exhaust , general ventilation , air supply , the heating of air that is being supplied , or other (*describe*).....

in a grain elevator , foundry , or other place .

1. The owner of the industrial establishment is.....
(name of owner) (postal address of owner)

2. The industrial establishment is located at.....
(number, street or road and city, town, village or township)

3. The method of heating the industrial establishment will be by
steam , hot water , warm air , radiant units
or other (*describe*).....

The source of heat will be,

coal , electricity , gas , oil

or other (*describe*).....

HEATING EQUIPMENT	
Floor mounted	<input type="checkbox"/>
ceiling hung	<input type="checkbox"/>
other (<i>describe</i>).....	
Is there a stack to outdoors	Yes <input type="checkbox"/> No <input type="checkbox"/>

4. The following sprinklers, extinguishers, hoses, and other fire-protection equipment will be provided:

FIRE PROTECTION EQUIPMENT			
Sprinklers	yes	<input type="checkbox"/>	no <input type="checkbox"/>
Standpipe and hose	yes	<input type="checkbox"/>	no <input type="checkbox"/>
Suitable portable extinguishers			
by owner	yes	<input type="checkbox"/>	no <input type="checkbox"/>
by each employer	yes	<input type="checkbox"/>	no <input type="checkbox"/>
Other (<i>describe</i>)			

5. Fans for handling of gases, vapours, fumes or dusts will be provided as follows:

GENERAL VENTILATION	
Name of area to be ventilated	Fan capacity in cu. ft. per min. when installed

LOCAL VENTILATION	
Name of operation to be ventilated	Fan capacity in cu. ft. per min. when installed

6. Information in respect of each employer occupying, or proposing to occupy, a part, or all, of the industrial establishment is as follows:

Area No.	Business name of each employer	Description of process or operation (<i>use separate sheet if necessary and attach</i>)	Will there be any machinery other than that powered by manual labour
1			yes <input type="checkbox"/> no <input type="checkbox"/>
2			yes <input type="checkbox"/> no <input type="checkbox"/>
3			yes <input type="checkbox"/> no <input type="checkbox"/>

Maximum number of employees in the area at any time		Design live load in lbs. per sq. ft. (<i>see note 1</i>)		Dangerous Materials (<i>See note 2</i>)		
Male	Female	Floor	Roof	Material	Maximum quantity in each section	
					stored at any time	used in any period of 8 hours

7. The drawings and specifications were prepared by.....
.....
(name of architect, engineer, owner, contractor, manufacturer)

whose postal address is

8. The undersigned estimates that the cost of the proposed,
(a) construction, reconstruction or alterations of the building;
(b) installation or alteration of equipment, machinery or device designated by the regulations,
will be \$.....
(see note 3)

9. Enclosed is remittance for \$..... to apply upon the fees payable under the Act and the regulations
(see note 4).

Dated the.....of....., 19.....
(business name of applicant)

of..... By.....
(postal address of applicant) (signature) (official capacity)

NOTE 1: The ground floor is considered to be the first floor.

NOTE 2: "Dangerous material" means any material dangerous to safety or health of persons such as lead, silica, ammonia, benzol, naphtha, paint solvent, any explosive or flammable substance, any source of ionizing radiation, any storage tank for compressed gases or flammable liquids within 50 feet of the construction, and shall be described on a separate sheet attached to this application.

NOTE 3: In the case of building approvals, cost does not include land purchase, landscaping, roads, railway sidings, water mains, sewers and other services outside the exterior walls of the building.

NOTE 4: Deliver or mail this form with all applicable blanks filled in, together with duplicate drawings and specifications and the required fees, to the Chief Engineer, Engineering Services Branch, Department of Labour, 8 York Street, Toronto 1, Ontario.

FOR DEPARTMENTAL USE ONLY

Cubic contents of the building..... Approval No.....

Unit cost per cubic foot..... Compartment No.....

Approved estimated cost of the, Registration No.....

(a) Building \$.....

(b) Equipment designated by the regulations \$.....

Approved examination fee \$..... District No.....

Fee paid by applicant \$..... Receipt No.....

Balance due from applicant \$..... Receipt No.....
to

Examined by..... and passed for approval.
(signature of examiner)

Approved the.....of....., 19.....

By.....
(An engineer of the Department)

Drawings returned to..... Date.....

Drawings filed.....

EXAMINER'S NOTES

.....
.....
.....
.....
.....
.....
.....
.....
.....
.....

Completed building or installation of equipment inspected by.....
Date.....

Form 2

The Industrial Safety Act, 1964

NOTICE

TAKE NOTICE that this.....
(specify the "place", "matter" or "thing", as the case may be)

is a source of danger to the safety of persons employed in or having access to these premises and the use thereof shall be discontinued immediately until the inspector's direction of.....
(date)

to.....
(name of employer or owner)

.....
(address of employer or owner)
has been complied with.

No person, except an inspector, shall remove this notice unless authorized by an inspector.

Dated the.....of....., 19.....

.....
(signature of inspector)

Form 3

The Industrial Safety Act, 1964

APPLICATION FOR A PERMIT TO EMPLOY HOMEWORKERS

TO : The Chief Inspector,
Industrial Safety Branch,
Department of Labour,
8 York Street,
Toronto 1, Ontario.

BY : Name of Applicant.....

Street Address.....

Place.....
City , Town , Village , Township

Telephone No.....

The Applicant hereby applies under *The Industrial Safety Act, 1964* for a permit to employ homeworkers.

1. In support of the application the Applicant submits in columns 1 to 6 of paragraph 4 the following information:

- i. In column 1, the type of homework to be performed.
- ii. In column 2, the type of article in respect of which homework is to be performed.
- iii. In column 3, particulars of the unit-price rate to be paid.
- iv. In column 4, the piece-work rate to be paid.
- v. In column 5, the hourly rate that can be earned by a homeworker that is equivalent to the unit or piece-work rate paid.
- vi. In column 6, the unit-rate or piece-work rate actually paid for work similar to the homework performed in a factory of the Applicant and the hourly equivalent of such unit-rate or piece-work rate.

2. Has a permit to do homework for every homeworker who is to perform the homework been,

(a) applied for: Yes No

(b) issued: Yes No

3. Name and address of each homeworker who is to perform the homework, and the number of the permit issued to the homeworker.

<i>Name</i>	<i>Address</i>	<i>Permit No.</i>
.....
.....
.....
.....
.....

(Attach list if the space provided is insufficient)

Dated..... Signature of Applicant.....

4.

COLUMN 1	COLUMN 2	COLUMN 3			COLUMN 4	COLUMN 5		COLUMN 6		
Type of Work	Type of Article	Unit-Price Rate			Piece-Work Rate	Equivalent Hourly Rate		Unit or Piece-work rate paid for work performed in a factory of the applicant and its hourly equivalent		
		Rate per Unit	Unit	Quantity in Unit		Unit Rate	Piece-Work	Unit-Rate	Piece-Rate	Hourly Equivalent

Dated..... Signature of Applicant.....

NOTE 1: Complete Column 4 if work is or has been performed in a factory of the Applicant that is similar to the type of work and type of article mentioned above.

NOTE 2: Attach list if space provided is insufficient.

NOTE 3: Where a change in the type of work, the type of article or the unit-rate or piece-work rate occurs after this application is made, or additional homeworkers are employed by the Applicant, the Applicant shall forthwith notify the Chief Inspector in writing with particulars of the change.

Form 4

The Industrial Safety Act, 1964

APPLICATION FOR A PERMIT TO DO HOMEWORK UNDER THE INDUSTRIAL SAFETY ACT, 1964

TO : The Chief Inspector, Industrial Safety Branch, Department of Labour, 8 York Street, Toronto 1, Ontario.

BY : Name of Applicant.....

Street Address.....

Place..... City [], Town [], Village [] or, Township []

Telephone No.....

Former Street Address.....

Place..... City [], Town [], Village [] or, Township []

The Applicant hereby applies under The Industrial Safety Act, 1964 for a permit to do homework.

The Applicant submits the following information in support of the application:

My employer(s) for homework purposes is:

Name of Firm.....

Street Address.....

Place..... City [], Town [], Village [] or, Township []

Name of Firm.....

Street Address.....

Place..... City [], Town [], Village [] or, Township []

(Attach list if homework to be performed for any other employer.)

Dated..... Signature of Applicant

(1061)

33

THE INDUSTRIAL SAFETY ACT, 1964

O. Reg. 197/64.

Foundries.

Made—July 23rd, 1964.

Filed—July 31st, 1964.

REGULATION MADE UNDER THE INDUSTRIAL SAFETY ACT, 1964

FOUNDRIES

INTERPRETATION

1. In this Regulation,

- (a) "cleaning a casting" means the act of removing any adhering scale, moulding or core material from the surface of the casting;
(b) "die casting" means a casting process in which the molten metal is forced into the mould cavity of a metal die;

- (c) "foundry" means the part of a building, or premises, or the workshop, structure, room or place in which base metals or their alloys are cast in moulds or where core-making, shake-out or cleaning of any casting or other dust-causing operation ancillary to the casting process is carried on;
(d) "gangway" means a defined passageway between a metal melting unit and a metal pouring area;
(e) "general ventilation" means the replacement of a part of the contaminated air by uncontaminated air in the working space of the foundry by fans, or by fans and other means, and includes both the exhausting and supplying of air from and to the working space;
(f) "inoculation process" means the adding of any material to molten metal to control the crystalline structure of the molten metal;
(g) "local exhaust" means exhaust ventilation so designed that the air contaminant is picked up by the ventilation system at or near its

point of origin and removed in such a manner that it does not enter the breathing zone of a worker or the working space;

- (h) "pouring aisle" means a passageway leading from a gangway and where metal is poured into a mould or box;
- (i) "shaking-out" means the removal of the casting from its mould and the core material from the casting;
- (j) "working space" means any space where workers are actively engaged in the performance of their duties within a foundry, but does not include offices, lunch-rooms, locker-rooms, change-rooms, rest-rooms, washrooms, shower rooms, toilet rooms, pattern shop, maintenance shops, laboratories, shipping areas, the storage space occupied by equipment or materials not regularly in use, or the enclosed space where core sands and moulding sands are stored.

2.—(1) Every employer is responsible to ensure compliance with this Regulation, unless otherwise provided.

(2) Every person employed in a foundry shall use anything provided under this Regulation for the purpose for which it is provided and shall follow any procedure required by this Regulation.

3. This Regulation does not apply to,

- (a) die casting;
- (b) any premises or part thereof where steel ingots only are cast;
- (c) the printing industry; or
- (d) metal refineries.

4.—(1) No foundry,

- (a) in which any part of the lowest floor level of any working space is below the adjacent ground level shall be established or put into operation for the first time; or
- (b) where established or put into operation for the first time before this Regulation comes into force and in which any part of the lowest floor level of any working space is below the adjacent ground level, shall continue to operate,

after this Regulation comes into force unless otherwise authorized in writing by the chief inspector.

(2) No foundry or any addition to any foundry shall be established or put into operation for the first time or constructed unless the ceiling height above the floor of every working space is at least sixteen feet.

PARTING MATERIALS

5. No parting material shall contain more than 2 per cent free silica, unless approved in writing by the chief inspector.

MELTING UNITS

6.—(1) A clear space adequate for safe operating and maintenance purposes, shall be provided between the outer shell of any cupola or other melting unit and any wall, structure, equipment, or any operation.

(2) The width of any passageway or aisle adjacent to a melting unit shall not be less than four feet where the melting unit is installed after this Regulation comes into force.

(3) The firing portion and fuel supply controls of each melting unit shall be accessible from an aisle or be in a location remote from a melting unit.

(4) The dimensions of the working space at any melting unit installed after this Regulation comes into force shall not be less than six feet measured horizontally from the furnace shell or pouring spout, or such additional clearance as is required for safe working.

CARE OF PREMISES, EQUIPMENT AND MATERIALS

7. In every foundry all equipment and materials shall be kept in such a place and in such a manner so as not to interfere with free movement of persons or materials, and so as not to constitute a safety, health, fire or explosion hazard therein.

8.—(1) Any waste material shall be removed from the working space of a foundry at least daily.

(2) Any sand, of no further use, shall be removed from the foundry at a time and in a manner so as not to create a hazard to the employees.

9. Every pouring aisle, cleaning room floor or other area where dust is likely to accumulate and the surface of any sand pile shall be kept sufficiently damp with water at all times to prevent the dissemination of dust into the general air of the foundry but not dampened to such an extent that molten metal in contact with such dampened sand or water is a hazard to persons in the vicinity.

10. Every gangway and pouring aisle shall be kept clear of obstruction at all times.

11. Any accumulation of dust shall be removed from equipment, material and the interior of the foundry in a manner so as not to create a hazard to persons employed therein.

SANITATION

12.—(1) In every foundry the employer shall provide a shower room having not less than one shower bath connected to sources of hot and cold water for every ten foundry employees leaving at the end of any shift.

(2) One or more locker rooms shall be provided in every foundry adjacent to a shower room and wash-room and any such locker room shall be equipped with a locker or other suitable facilities for the working and street clothes of each employee in the foundry.

(3) Adequate drying facilities shall be provided in every foundry for the work clothing of all employees engaged in duties where perspiration or the type of work may cause the employees' clothing to become damp or wet.

(4) Where a locker room, change room, washroom or shower room is established after this Regulation comes into force in a building separated from the foundry, the building shall be connected to the foundry by an enclosed, heated passageway.

(5) The walls and ceilings of any locker room, change room, washroom or shower room shall be finished in a light colour and the floor shall have a smooth surface impervious to any liquid and the room shall be maintained by the employer in a clean and sanitary condition.

GENERAL FLOOR CONDITIONS

13. The floor and any water system immediately surrounding any melting unit shall be so constructed as to prevent any accumulation of moisture under or near the melting unit.

14. All moulding floors, gangways, passageways and aisles shall have a firm surface without holes or depressions and without slopes having a gradient of more than one in sixteen.

15. Permanent gangways shall be clearly marked.

16. Where tracks are laid at or about floor level within the foundry building, the floor adjoining and between them shall be firm and level with the top of the rails.

17.—(1) Where molten metal is handled on a gallery or other area having any working space below it, the gallery or area shall have a solid floor that will prevent molten metal from leaking or burning through it and the gallery shall have a solid barrier of not less than three feet, six inches in height on all exposed sides to prevent metal spillage from the gallery.

(2) A cupola charging floor shall be solid to prevent any material or object passing through it.

18. Any gangways not used for carrying molten metal shall be three feet or more in width.

19.—(1) Subject to subsections 2 and 3, the minimum width of a gangway for one-way traffic only over which molten metal is conveyed shall be as follows:

TABLE

Type of Metal Container	Number of workers conveying metal	Minimum width
Hand shank ladles and crucibles	2 or less	3 feet
Hand shank ladles and crucibles	More than 2	4 feet
Ladle or crucible on truck, buggy, or overhead track		2 feet wider than greatest width of ladle, crucible, truck, buggy or container support

(2) Where a gangway is used for traffic in both directions but molten metal is conveyed in one direction only, the width required by subsection 1 shall be increased by three or more feet.

(3) Where a gangway is used for carrying molten metal in both directions, the width required by subsection 1 shall be doubled.

(4) Where any ladle is carried by an overhead crane, adequate warning shall be given before the ladle is moved and all employees shall forthwith vacate the area over which the ladle is to be transported.

20. The minimum width of any pouring aisle where a hand ladle or crucible is used to pour metal shall be as follows:

TABLE

Height of mould above aisle level	Number of workers allocated to the pouring operation	Minimum width of a pouring aisle
Less than 20 ins.	Not more than 2	15 ins.
20 ins. or greater	Not more than 2	2 feet
Any height	More than 2	3 feet

21. Where any molten metal is poured from a crane, trolley or truck ladle, the minimum width of any pouring aisle shall not be less than one foot greater than the greatest width of the ladle equipment, except where a bottom-pour ladle is used in which case the aisle width shall be three feet or more.

22. Any pit exceeding twenty-four inches in depth shall have its internal walls reinforced with brick, concrete, steel plate or other non-combustible material capable of resisting cave-in.

23.—(1) When in use every pit shall be securely protected with railings or chains secured to stanchions or with a solid wall, and the top of the railing, chain or wall shall not be less than three feet six inches above the surrounding floor.

(2) When not in use every pit shall be kept securely covered with substantial material or protected in the manner set out in subsection 1.

LADLES

24. Every ladle shall be dried,

(a) before use; and

(b) in a location having ventilation so as to prevent the entry of any smoke or gas into the working space.

25. Every single-shank foundry ladle shall be fitted with a metal shield to protect the person carrying the ladle.

26. Every tilting ladle of a capacity of 500 or more pounds shall be gear-operated or the equivalent.

27.—(1) Every gear-operated foundry ladle and every mechanically or electrically operated ladle shall be so designed and constructed as to prevent its overturning and shall be fitted with a safety lock approved by an inspector.

(2) Every gearing or tilting mechanism on a ladle shall be enclosed with machinery guards of solid material.

PERSONAL PROTECTIVE EQUIPMENT

28.—(1) Every employer for a foundry shall,

(a) furnish any employee, whose eyes are exposed to injury from dust, flying chips or molten metal, with a protective device or equipment manufactured for the purpose of protecting persons from such injury;

(b) furnish any employee engaged in the handling of molten metal with leggings manufactured for the purpose of protecting persons from injury due to molten metal, or more adequate protective clothing if required in writing by an inspector;

(c) furnish any employee who is subject to direct or reflected arcs or radiation from electric arc furnaces, welding operations or similar sources of harmful radiation with stationary or moveable guards, goggles or eye shields manufactured for the purpose of protecting persons from such arcs and radiation;

(d) where persons are engaged in occasional or infrequent operations that produce noxious dusts, gases, vapours or fumes, and where an inspector is satisfied that the operations do not lend themselves to the installation of permanent mechanical ventilation equipment, furnish proper respiratory equipment manufactured for the purpose of protecting persons from such dusts, gases, vapours or fumes;

(e) ensure that no person shall normally work between a source of dust or fumes and the inlet of the local exhaust system that removes the dust or fumes from that source unless the person is wearing a suitable air-supplied breathing apparatus.

(2) Every employee in a foundry who handles molten metal shall wear gaiter-type boots that are designed to prevent injury from molten metal.

(3) Every employee in a foundry who is engaged in the handling of heavy objects shall wear boots or shoes with protective toe boxes or steel toes.

(4) Every employer in a foundry shall,

(a) ensure that no person employed by him works and no person so employed shall work in connection with any operation requiring the protective equipment or clothing prescribed in clauses *a*, *b*, *c* and *d* of subsection 1 and in subsections 2 and 3 unless such person is using or wearing such protective equipment and clothing; and

(b) before requiring or permitting any person in his employ to perform such work, notify such person of the requirements of this section.

GENERAL SAFETY

29.—(1) Every employer for a foundry shall ensure that,

(a) the legs and supports of every cupola are protected from damage by molten metal;

(b) any coke, slag and unmelted metal from the dropping of the cupola bottoms is removed by a mechanical rake or other mechanical means as soon as is practicable after the cupola is emptied;

(c) before the bottom of a cupola is dropped, a visual and audible signal is given for at least three minutes, after which the prop or props are removed by a winch or similar device operated from outside a wall or shield at the cupola or from another safe location;

(d) no material containing ice or moisture, or to which ice or moisture is adhering is charged into any furnace containing molten metal except a cupola;

(e) no completely enclosed vessel is knowingly charged into any furnace without first being broken open;

(f) care sufficient to ensure the safety of persons is taken of chains, slings, wire-ropes and other hoisting equipment having regard to the temperatures to which such hoisting equipment is exposed and the uses to which it may be put;

(g) the bottom of every cupola is supported by one or more adequate metal props with metal bases and wedges supported on concrete or other solid footing;

(h) shields or solid screens are provided to protect employees at the slag-holes, spouts and tap-holes of every cupola or furnace;

(i) every cupola with a closed top has doors on the top of the cupola hinged to act as explosion vents to the outdoors;

(j) every wheel moving on tracks at floor level is shielded so as to prevent injury to the feet of employees;

(k) every skylight is fitted with wired or shatter-proof glass or non-shatterable translucent material or with protective wire netting attached to its underside;

(l) where metal castings or scrap are broken by means of a dropping device or similar device, a permanent shield of wood planking two inches thick or equivalent protection, adequately supported, is provided to protect persons from flying metal fragments;

(m) every tumbling mill is equipped with a positive locking device to prevent any movement of the mill when being loaded or unloaded, and every moving part of the mill is either fully enclosed or guarded to a height of six feet or more above the adjacent walking surface;

(n) when work is performed in a cupola or similar place an overhead protective wooden or metal cover or screen satisfactory to an inspector and that is supported by props or overhead slings is used for the purpose of protecting persons from falling objects;

(o) every cupola is provided with a blast gate or automatic damper in the air supply pipe to the cupola, or with other positive means of preventing the accumulation of combustible gases in the air supply system when the air supply fails;

(p) a continuous open flame or other positive means of ignition is maintained above the charging level of the cupola while the cupola is in operation and until all combustible material in the cupola is consumed; and

(q) all buildings, equipment and machinery are maintained in safe working condition and are inspected by the employer or any person designated by him, regularly and with such frequency as will ensure safe working conditions for persons in the foundry.

(2) Every employee in a foundry is responsible equally with the employer for compliance with clauses *a* to *f* of subsection 1.

VENTILATION

30.—(1) Every foundry shall be ventilated by a local exhaust system or by a general ventilation system or both, so designed, fabricated, installed and maintained as to remove, as far as is practicable, every gas, vapour, dust, fume, mist or other impurity produced by the operations in the foundry that may be injurious to the health or safety of persons in the foundry.

(2) Every ventilation system shall discharge the air outside the building so that it does not re-enter the building.

31.—(1) Every employer for a foundry shall ensure that adequate provision is made for the entry of air into the foundry to replace the air discharged from the building and that this air,

(a) is heated when necessary to maintain in each working space at least the minimum temperature required by the Act and this Regulation;

(b) is taken from a region not contaminated with silica or other noxious dust, fumes, gas, smoke or mist;

(c) enters the foundry in such a manner as not to create a dusty condition in the atmosphere of the foundry; and

(d) subject to subsection 2, enters the working space through air inlets of sufficient number

and area, and so arranged, located, and equipped, as to give a reasonably uniform air flow across the working space without subjecting workers to air velocities exceeding 200 feet per minute.

(2) Where the velocity of the incoming air is adequately controlled so as to not adversely affect the health or comfort of an employee, in the opinion of an inspector, it may exceed 200 feet per minute.

LOCAL EXHAUST VENTILATION

32. Subject to sections 33 to 44, where any machine or process is operated so as to form a localized source of dust, fume, gas, smoke or mist, the machine or process shall be provided with local exhaust, where practicable, so that the noxious material does not enter the general atmosphere of the building.

33.—(1) The rate of local exhaust of every power shake-out shall conform with the following provisions:

1. Where a power shake-out is completely enclosed except for inlet and outlet openings, at least 200 cubic feet of air per minute per square foot of grate or shake-out area shall be exhausted and the minimum air velocity into the enclosure shall be 200 feet per minute.
2. Where a power shake-out has a side draft hood, at least 500 cubic feet of air per minute per square foot of grate or shake-out area shall be exhausted.
3. Where a power shake-out has a double side hood at least 400 cubic feet of air per minute per square foot of grate or shake-out area shall be exhausted.
4. Where a power shake-out has a hood enclosing at least two adjoining sides and at least one-third of the top area, at least 300 cubic feet of air per minute per square foot of grate or shake-out area shall be exhausted.
5. Where none of the methods of exhausting the power shake-out in paragraphs 1 to 4 is feasible, a down draft exhaust of at least 600 cubic feet of air per minute per square foot of grate or shake-out area shall be provided, and the length and width of the grate or shake-out shall be greater than the length and width of the largest flask used.
6. The minimum height for a side exhaust hood above the surface of the grate or shake-out shall be equivalent to the grate or shake-out length or 50 per cent higher than the height of any casting, whichever is greater, and the minimum length of the exhaust hood shall be 50 per cent greater than the grate or shake-out length.
7. The minimum quantities of air prescribed by this section shall be increased upon the direction of an inspector if castings are abnormally hot when shaken out, the sand to metal ratio is low, or external cross drafts at the power shake-out are present.

(2) Every flat deck or cylindrical screen shall be enclosed, so far as is practicable, and shall be locally exhausted,

(a) in the case of a flat deck screen, with a minimum inward air velocity of 200 feet per minute through all openings in the screen enclosure and in any case, with a minimum of 50 cubic feet of air per minute per square foot of gross screen area;

(b) in the case of a cylindrical screen, with a minimum inward air velocity of 400 feet per minute through all openings in the screen enclosure and in any case, with a minimum of 100 cubic feet of air per minute per square foot of the cylinder's end.

(3) Every bucket elevator shall be enclosed and exhausted so as to provide,

(a) an inward air velocity of at least 150 feet per minute at every opening of its enclosure where the maximum bucket speed does not exceed 200 feet per minute; and

(b) an inward air velocity of at least 200 feet per minute at every opening of its enclosure where the bucket speed exceeds 200 feet per minute.

(4) Subject to subsection 8, every conveyor belt shall be provided with exhaust hoods which shall enclose every loading point, discharge point and every other point at which dust may be produced.

(5) Subject to subsection 8, every exhaust hood referred to in subsection 4 shall be ventilated as follows:

1. Where the maximum speed of the belt does not exceed 200 feet per minute, the rate of ventilation shall not be less than 350 cubic feet per minute for each foot of the width of the belt and there shall be an inward air velocity through the net open area of each exhaust hood of not less than 150 feet per minute.
2. Where the speed of the belt exceeds 200 feet per minute, the rate of ventilation shall not be less than 500 cubic feet per minute for each foot, or fraction thereof, of the width of the belt and there shall be an inward air velocity through the net open area of each exhaust hood of not less than 200 feet per minute.

(6) Subject to subsection 8, every sand muller shall be enclosed, so far as is practicable, and shall be exhausted at a velocity of not less than 150 feet per minute through every opening in the enclosure, including the loading and inspection openings, and there shall be not less than 150 cubic feet of air per minute for each foot of the horizontal diameter of the muller,

(7) Subject to subsection 8, every sand storage bin shall be enclosed and exhausted to cause an inward air velocity of at least 200 feet per minute through the net open area of every opening to the bin when sand is being supplied to the bin.

(8) Subsections 4 to 7 do not apply to any conveyor belt, sand muller or sand storage bin transporting or containing sand that contains moisture in sufficient quantity to prevent the dissemination of dust, but in no case shall the moisture content be less than 2 per cent of the total weight of sand and moisture.

(9) Every tumbling mill having an inside length not exceeding seventy inches shall be ventilated so as to exhaust at least the volume of air shown for that type and size of mill in the following Table:

TABLE

Round Mill inside diameter (inches)	Square Mill inside width of side (inches)	Minimum volumes of exhaust air	
		Hollow- trunion (cfm)	Stave type (cfm)
Up to 24	430	800
Over 24 to 30	Up to 24	680	900
Over 30 to 36	Over 24 to 30	980	980
Over 36 to 42	Over 30 to 36	1330	1330
Over 42 to 48	Over 36 to 42	1750	1750
Over 48 to 54	Over 42 to 48	2200	2200
Over 54 to 60	Over 48 to 54	2730	2730
Over 60 to 66	Over 54 to 60	3300	3300
Over 66 to 72	Over 60 to 66	3920	3920
.....	Over 66 to 72	4600	4600

(10) Every tumbling mill having an inside length exceeding 70 inches shall be ventilated at a rate equivalent to the quotient of the inside length of the mill in inches divided by seventy, multiplied by the minimum volume of exhaust air specified in the Table in subsection 9 for a mill of the same type and the same inside diameter or inside width of side.

(11) Every tumbling mill having an inside diameter or width of side exceeding seventy-two inches shall be ventilated at a rate of exhaust satisfactory to an inspector.

(12) Every stave-type tumbling mill shall be enclosed with solid material when operating and shall, in addition to the minimum volume specified in subsections 9, 10, 11 have an inward air velocity of 400 feet per minute through every opening in the enclosure.

34.—(1) Any dry, abrasive blasting shall be done,

- (a) in a room enclosed with suitable solid materials and ventilated to provide a downdraft air supply and exhaust at a velocity of not less than eighty feet per minute over the gross floor area, or to provide a horizontal air supply and exhaust at an air velocity of not less than 100 feet per minute normal to the side of the room from which the air is being exhausted, and with the air velocity through all openings from the foundry into the room of not less than 300 feet per minute;
- (b) in a hand cabinet constructed of suitable solid material and that is exhausted to provide an inward air velocity of not less than 500 feet per minute through all openings; or
- (c) on a rotary blasting table that is enclosed with solid material with curtains on every opening and ventilated at a rate to provide an inward air velocity that is not less than 200 feet per minute into every opening in the enclosure on which the curtains are installed.

(2) Any abrasive equipment not using compressed air shall be enclosed with solid material and exhausted to provide an inward air velocity of not less than 125 feet per minute through all openings including the loading door opening.

35. Wherever annealing boxes are filled or dumped, local exhaust ventilation shall provide an air velocity of 200 feet per minute at the source of dust or fumes and directed away from the breathing zone of any worker.

36. Ventilation shall be provided at every core and annealing oven at such a rate as will prevent smoke and gas from entering into the working space.

37.—(1) Every shell moulding and shell core machine shall be provided with as complete an enclosure or canopy as is practicable, and exhausted so that a minimum inward air velocity of,

- (a) 100 feet per minute is provided through the enclosure openings; or
- (b) 150 feet per minute is provided into the canopy opening.

(2) Where a canopy but no enclosure is used for a machine, the canopy shall extend five inches laterally on each side beyond the horizontal perimeter of the machine for each foot that the bottom of the canopy is located above the chief source of dust or fumes in the machine.

38.—(1) Every power driven hand tool such as a brush, portable grinder or chipping tool, used for the cleaning of castings shall be used in a booth or on a downdraft table or grille or shall have an adequate local exhaust system attached to the tool.

(2) Where a booth is used, an inward air velocity of 150 feet per minute shall be provided at every opening of the booth.

(3) Where a downdraft table or grille is used,

- (a) the horizontal dimensions of the table or grille shall exceed the horizontal dimensions of the casting or that part of the casting being cleaned; and
- (b) a volume of air of not less than 300 cubic feet per minute per square foot of the gross area of the table or grille shall be exhausted downwardly through its surface.

39. A local exhaust system shall be provided, where practicable, for any inoculation process or any process where magnesium is mixed with any other metal.

40.—(1) Subject to subsections 3 and 4, no stationary grinding wheel, abrasive cutting-off wheel or buffing and polishing wheel shall be used unless it is enclosed as completely as is practicable and locally exhausted.

(2) The enclosure for a stationary grinding wheel or abrasive cutting-off wheel shall be of sufficient strength and so located as to prevent bodily injury to any person in the immediate vicinity of the wheel.

(3) Subject to subsections 4 and 5, no stationary grinding wheel, abrasive cutting-off wheel or buffing and polishing wheel shall be used unless it is at least three-quarters enclosed and the clearance between each side of the wheel and its enclosure is not more than 1½ inches in the case of a grinding wheel, abrasive cutting-off wheel or a hand buffing and polishing wheel and three inches in the case of a soft buffing and polishing wheel and it is locally exhausted with not less than the volume of air shown in the following Table:

TABLE

COLUMN 1	COLUMN 2	COLUMN 3
Wheel Diameter (inches)	Wheel Width (inches)	Exhaust Air Volume in cubic feet per minute
to 9	not more than 2	300
Over 9 to 16	not more than 3	500
Over 16 to 19	not more than 4	610
Over 19 to 24	not more than 5	740
Over 24 to 30	not more than 6	1040
Over 30 to 36	not more than 6	1400

- (4) Any wheel that is,
- (a) of a type mentioned in subsection 3;
 - (b) at least three-quarters enclosed; and
 - (c) wider than the maximum width shown in column 2 of the Table in subsection 3 for any diameter of wheel shown in column 1,

shall have a volume of air locally exhausted at least equal to that shown in column 3 of the Table multiplied by the ratio of the wheel's width divided by the maximum width shown in column 2 for that diameter of wheel in column 1.

- (5) Any wheel that is,
- (a) of a type mentioned in subsection 3;
 - (b) not at least three-quarters enclosed;
 - (c) has any clearance between the side of the wheel and its nearest enclosure greater than the clearance specified in subsection 3; or
 - (d) a diameter greater than any diameter shown in column 1 of the Table in section 3,

shall have a volume of air exhausted that will produce an air velocity at the exposed face of the wheel at least equivalent to the velocity produced at the exposed face of a wheel of similar diameter multiplied by the exhaust volume of air shown in column 3 of the Table and, in the case of a wheel mentioned in clause d multiplied by 1400 cubic feet of air per minute.

41.—(1) Every grinding or polishing belt shall be enclosed except at the working area and shall be locally exhausted in accordance with subsections 2 and 3 so that the air movement is in the direction of belt travel at the working area.

(2) Where the clearance between any side of the belt and the enclosure is less than one inch, the volume of air to be locally exhausted shall not be less than that shown in the following Table:

TABLE

Belt Width (inches)	Exhaust Air Volume (cubic feet per minute)
up to 3	220
over 3 to 5	300
over 5 to 7	390
over 7 to 9	500
over 9 to 11	610
over 11 to 13	740

(3) Where the clearance between any side of the belt and the enclosure is one inch or more, the volume of air to be locally exhausted shall be such that the velocity of the air at the working face of the belt is not less than the velocity of the air that results from the exhaust air volume shown in column 2 of the Table in subsection 2 for the width and enclosure of the belt as set forth in subsection 2.

42.—(1) Every swing grinder shall be provided with mechanical ventilation by means of an exhaust hood or an exhaust booth approved by an inspector.

(2) Every exhaust booth that contains a swing grinder shall be,

- (a) enclosed at the back, top and sides and with as small an opening at its front as the nature of the grinding operation will permit; and
- (b) so located that the swing grinding wheel operates inside the booth.

(3) The velocity of the air through the front opening of the booth shall be not less than 150 feet per minute.

43. Every operation of pouring,

- (a) brass or other metal having noxious fumes; or
- (b) any metal into shell moulds,

shall be provided with an adequate system of local exhaust ventilation when directed by an inspector.

44.—(1) Every melting unit shall be provided with ventilation to remove from the working space all dusts, fumes, gases, smokes and vapours produced by the melting of the metal and the combustion of the fuel.

(2) Where brass or other metals having noxious fumes are melted, an enclosure, canopy hood, baffles or other means for the collection of the fumes, dusts, gases, smokes or vapours produced in the melting process, shall be provided as directed by an inspector.

(3) Where lead, cadmium or alloys containing beryllium or other metals of similar or greater toxicity are melted, the furnace shall be as completely enclosed as is practicable and the tapping spout shall be locally exhausted.

GENERAL VENTILATION

45.—(1) The use of general ventilation to ventilate a foundry may be supplementary to but shall not be in substitution for the use of local exhaust ventilation required by this Regulation.

(2) Subject to subsection 6, every foundry,

- (a) in which iron, steel or aluminum is cast into sand moulds or moulds using sand cores shall be provided with general ventilation equipment that will ventilate the foundry with a volume of at least 2500 cubic feet of air per minute for each ton of the maximum number of tons of metal poured in an eight hour period and 500 cubic feet per minute of air for each person employed in that eight hour period in the working space of the foundry; or
- (b) in which brass, bronze or magnesium is cast into sand moulds or moulds using sand cores shall be provided with general ventilation equipment that will ventilate the foundry at a rate of at least 5,000 cubic feet of air per minute for each ton of the maximum number of tons of metal poured in an eight hour period and 1,000 cubic feet of air per minute for each person employed in that eight hour period in the working space of the foundry.

(3) Every foundry in which,

(a) any metal other than iron, steel, aluminum, brass, bronze or magnesium is cast; and

(b) any mould or core of other than sand is used,

shall be ventilated at a rate satisfactory to the chief inspector.

(4) Where in a foundry the provisions of clause *a* or *b* of subsection 2 or subsection 3 apply in any combination, the total rate of ventilation required shall be the sum of the rates applicable under each provision.

(5) Any local exhaust ventilation while in operation may be computed in determining the rate of general ventilation at a value of twice the volume of the local exhaust ventilation.

(6) Every foundry in operation when this Regulation comes into force and that has a ceiling height of less than sixteen feet above the working space and in which,

(a) iron, steel or aluminum is cast into sand moulds or with the use of sand cores shall be provided with general ventilation at a rate that is,

(i) the rate prescribed in clause *a* of subsection 2, plus

(ii) 5 per cent of the rate prescribed in clause *a* of subsection 2 for each foot or part thereof of the difference between sixteen feet and the ceiling height of the foundry in feet;

(b) brass, bronze or magnesium is cast into sand moulds or with the use of sand cores shall be provided with general ventilation at a rate that is,

(i) the rate prescribed in clause *b* of subsection 2, plus

(ii) 5 per cent of the rate prescribed in clause *b* of subsection 2 for each foot or part thereof of the difference between sixteen feet and the ceiling height of the foundry in feet.

46. Moulding material that adheres to any casting shall not be removed by the use of compressed air or other means whereby dust particles may be disseminated into the air of the working space and are not controlled by local exhaust ventilation.

47. Subject to section 48, every exhaust or dust collection system, stack or outlet used for the discharge of contaminated air shall be so located, designed and constructed as to prevent the entry or return of contaminated air into any building.

48. Where a dust or fume of lead, cadmium or other toxic material is exhausted from a foundry, an inspector may require that equipment be installed to remove the toxic material from the air that is being exhausted.

49.—(1) Subject to subsection 2, no part of any dust collecting system, local exhaust or air cleaning system within any building, except an air-tight discharge duct from a dust collector to the exterior of the building, shall be under positive pressure.

(2) Subsection 1 does not apply to a room in a foundry that is,

(a) used solely for the housing of dust-collecting equipment; and

(b) separated from the foundry by a dust-tight partition.

(3) Subject to subsection 4, every collector that collects aluminum or magnesium dust shall be located outside the foundry or any other building unless the collector is located in a room,

(a) used solely for the housing of dust-collecting equipment; and

(b) separated from the rest of the foundry by a dust-tight partition that is so constructed that it is fire resistive for at least one hour; and

(c) constructed to provide adequate explosion relief to the outdoors.

(4) Subsection 3 does not apply to any collector using water to collect aluminum or magnesium dust.

50. The velocity of air in the ducts of every dust collection system shall not be less than 3500 feet per minute except where the air is leaving the dust collector.

51. While any process producing any noxious dust, fume, gas, smoke, vapour or heat in a foundry is in operation, the exhaust system installed to remove such emanation or emanations shall be operated continuously.

52. Where, after installation of any foundry ventilation system, the foundry atmosphere or any part thereof is found, upon being tested by any competent person, to contain dangerous amounts of dusts, gases or fumes or to be otherwise unsatisfactory to the chief inspector, the employer, upon direction of the chief inspector, shall make such modification in the ventilation as will eliminate the unsatisfactory condition in the foundry.

HEATING

53.—(1) Subject to subsection 2, an inspector may authorize in writing a minimum temperature of 50° F. to be maintained in any working space in any foundry in a building but, where the foundry is heated by means of the heat generated from any process, the temperature for one hour at the beginning of the main operating shift may be less than 50° F.

(2) The temperature of every washroom, locker room, change room or shower room for a foundry shall be kept at not less than 70° F.

54. Any product of combustion from any heating unit for a foundry building shall be directly vented to the outside atmosphere, except where otherwise approved by the chief inspector or by an engineer of the Department.

55. The flow of air from any unit heater or positive pressure hot-air system that heats a foundry shall be so directed that it will not increase the concentration of dust in the breathing zone of any worker or recirculate dust-laden air in the working space.

56. The effect of radiant heat upon persons shall be eliminated or reduced by means of heat shields, heat absorbent or heat reflective panels, cooling coils, air cooling or other means.

57. Any type or arrangement of equipment, method of operation or building construction that does not strictly comply with this Regulation but that provides protection equivalent to that prescribed may be used if its use is approved in writing by the chief inspector.

58. Where, under special circumstances, strict compliance with this Regulation is not adequate for the protection of persons working in a foundry, the chief inspector may require such modifications of building equipment, material or method as he considers necessary.

59.—(1) Any equipment, machinery or device in a foundry for local exhaust, general ventilation, the supply of air or the heating of air that is being supplied is designated as equipment, machinery or a device for the purpose of section 16 of the Act.

(2) No person shall install or alter a system for local exhaust, general ventilation, the supply of air or the heating of air that is being supplied except to make any minor repair, adjustment or identical replacement unless the drawings and specifications thereof have been first approved by an engineer of the Department in the same manner as that provided by section 16 of the Act.

(3) The drawings and specifications of anything referred to in subsection 2 shall,

- (a) contain full particulars of,
- (i) any operation producing any dust, fumes, gas, smoke, mists or vapour,
 - (ii) the location of any source of the dust, fume, gas, smoke, mists or vapour, and
 - (iii) any method proposed for the control of any dust, fume, gas, smoke, mists or vapour referred to in subclause i; and
- (b) be prepared by a suitably qualified person.

(4) The installation or alteration may be proceeded with only in accordance with the drawings and specifications as approved.

60.—(1) Subject to subsection 2, the fees to be paid for the approval by an engineer of the Department of drawings and specifications for a system of local exhaust, general ventilation, the supply of air or the heating of air that is being supplied shall be, where the estimated cost approved by him is,

- (a) not more than \$100, nil;
- (b) more than \$100, but not more than \$1,000, \$10; and
- (c) more than \$1,000, the sum of,
- (i) \$10, and
 - (ii) \$2 for each additional \$1,000, or fraction thereof in excess of the first \$1,000.

(2) No fee greater than \$1,000 shall be payable in any event.

61. Ontario Regulation 332/63 is revoked.

(1062)

33

THE DEPARTMENT OF LABOUR ACT

O. Reg. 198/64.

Proceedings of the Board.

Made—July 20th, 1964.

Approved—July 23rd, 1964.

Filed—July 31st, 1964.

REGULATION MADE UNDER THE DEPARTMENT OF LABOUR ACT

1. Section 1 of Regulation 108 of Revised Regulations of Ontario, 1960 is revoked and the following substituted therefor:

1. In this Regulation,

- (a) "meeting" means a meeting of the Board;

(b) "member" means a member of the Board and includes the chairman.

2. Sections 11 to 17 of Regulation 108 of Revised Regulations of Ontario, 1960 are revoked.

3. Forms 1 and 2 of Regulation 108 of Revised Regulations of Ontario, 1960 are revoked.

INDUSTRY AND LABOUR BOARD:

E. G. GIBB,
Chairman.

J. F. NUTLAND,
Member.

H. G. PIERCY,
Member.

Dated at Toronto, this 20th day of July, 1964.

(1063)

33

THE INDUSTRIAL STANDARDS ACT

O. Reg. 199/64.

Duties of Employers and Advisory Committees.

Made—July 23rd, 1964.

Filed—July 31st, 1964.

REGULATION MADE UNDER THE INDUSTRIAL STANDARDS ACT

DUTIES OF EMPLOYERS AND ADVISORY COMMITTEES

1. In this Regulation,

- (a) "decision" includes a ruling, order and finding of fact;
- (b) "party concerned" means an appellant or respondent.

2. In addition to the information required by section 11 of the Act, an employer shall include in the record, and keep for a period of at least twelve months after work is performed by an employee,

- (a) the amount of wages paid to each employee for the work performed by him,
- (i) during the regular working day and the regular working week, and
 - (ii) other than during the regular working day or the regular working week,

established by any Schedule that applies to the employee and the date of the payment;

- (b) the hourly, daily, weekly or monthly rate used in computing wages paid to an employee on time-work;
- (c) the amount of each kind of work performed by an employee who is paid on a piece-work or unit-price rate on an incentive or production basis and the piece-work rate or unit-price rate used in computing his wages;
- (d) the period of any vacation taken by an employee and the amount of vacation pay paid to the employee or the payment in lieu of vacation with pay and the date of the payment in each case;

- (e) the rate of commission or percentage used in computing the wages of an employee who is paid on a commission or percentage basis;
- (f) in the case of employers engaged in,
 - (i) the Barbering Industry as defined in paragraph 1, or
 - (ii) the Hairdressing Industry as defined in paragraph 1a,
 of Appendix D of Regulation 244 of Revised Regulation of Ontario, 1960, the proceeds from the work performed by each employee;
- (g) the number of hours of work performed by each employee,
 - (i) during the regular working day and the regular working week, and
 - (ii) other than during the regular working day or the regular working week,
 established by the Schedule that applies to the employee;
- (h) the hours of the day and each day of the week on which work was performed by each employee;
- (i) the work or operation performed in the industry by an employee and where a schedule classifies employees, the classification of the employee;
- (j) the city, town, village or township where the work or operation was performed; and
- (k) the number of hours in each day and week that an employee was required to remain on the employer's premises and was not required to perform any work.

3. Where a Schedule for an industry assesses an employee, the employer shall,

- (a) deduct the amount of the assessment from the wages of the employee;
- (b) before the 10th day of each month,
 - (i) remit to the advisory committee established for the Schedule the amount of the assessment deducted under clause a and the amount for which the employer is assessed under the Schedule, and
 - (ii) furnish the advisory committee with the information required by subsection 1 of section 11 of the Act and the information required by section 2 of this Regulation for the last preceding calendar month.

4. An advisory committee established for a schedule shall,

- (a) keep written records of all proceedings and resolutions of each meeting held by it; and
- (b) send to the Director forthwith after the meeting a true copy of those records, signed by the members of the committee present at the meeting.

APPEALS FROM ADVISORY COMMITTEES

5.—(1) An appeal to the Director from the decision of an advisory committee shall be commenced by filing with the Director a notice of appeal in Form 1.

(2) Subject to subsection 3, a notice of appeal shall be filed within thirty days after the making of the decision.

(3) The Director may at any time before or after the expiry of the thirty-day period extend the time for filing a notice of appeal where the Director is satisfied that an appellant did not comply with subsection 2 because the decision did not come to the appellant's notice in sufficient time for the notice of appeal to be filed within the thirty-day period.

6.—(1) As soon as practicable after a notice of appeal is filed, the Director shall send to the appellant and to each respondent at their addresses stated in the notice of appeal,

- (a) a notice of hearing in Form 2; and
- (b) a copy of the notice of appeal.

(2) The Director shall allow at least seven clear days between the date of mailing the notice and the date for the hearing.

(3) If any party concerned or any witness fails to attend a hearing on the date and at the time and place appointed, the hearing may proceed and a decision may be made in his absence.

7. At the hearing of an appeal, each party concerned is entitled to hear the evidence against him, to cross-examine thereon, to call witnesses in his behalf and to present argument.

8. A party concerned may conduct his appeal personally or he may be represented by counsel or by any agent acceptable to the Director.

9. Within thirty days after the hearing the Director shall send a true copy of his decision to each party concerned.

10. Regulation 247 of Revised Regulations of Ontario, 1960 is revoked.

Form 1

The Industrial Standards Act

NOTICE OF APPEAL TO THE DIRECTOR OF LABOUR STANDARDS

Under *The Industrial Standards Act*

I,

(print name in full)

.....
(full postal address)

appeal to the Director in respect of a decision made by

.....
on the of 19....
(day) (month)

at
(name of city, town, village or other place)

whereby it was decided that
(briefly set out the decision*)

AND I name
(name)

of
(full postal address)

as respondent in this appeal.

AND in support of this appeal I give the following information:

1. I first became aware of that decision on (date)

2. My reasons for appealing are as follows: (briefly set out reasons*)

DATED the of 19 (signature of appellant)

*Reverse side of form may be used for further particulars.

Form 2

The Industrial Standards Act

NOTICE OF HEARING OF AN APPEAL

To: of Appellant, and to of and to of Respondent(s).

TAKE NOTICE the appellant having filed a notice of appeal a copy of which is attached hereto, the Director or the Administrator of Industrial Standards will hear the appeal on day, the of 19 at in the of at o'clock, in the noon, or so soon thereafter as the appeal can be heard, and thereupon the parties to this appeal and their witnesses will be examined.

AND TAKE NOTICE if any party or witness fails to attend a hearing on the date and at the time and place appointed, the hearing may proceed, and a decision thereon may be made, in his absence.

AND FURTHER TAKE NOTICE each party concerned may conduct his appeal personally or he may be represented by counsel or by any agent acceptable to the Director.

DATED at the of 19 (signature of Director or Administrator of Industrial Standards)

(1064)

33

THE POLICE ACT

O. Reg. 200/64. General. Made—July 30th, 1964. Filed—July 31st, 1964.

REGULATION MADE UNDER THE POLICE ACT

1. Sections 4 to 13 of Regulation 486 of Revised Regulations of Ontario, 1960 are revoked and the following substituted therefor:

4.—(1) Where a constable or other police officer other than the chief constable is charged with an offence against the code, the charge shall be written on a charge sheet in Form 1 and shall be served, as soon as is practicable, upon the person charged together with any report or complaint upon which the charge is founded.

(2) The charge shall give such details of the time and place of the events and circumstances out of which the offence arises as to leave no doubt of the offence referred to.

(5) The person charged may inform the chief constable in writing of the names of the members of the police force whom he desires to give evidence at the hearing and the chief constable shall order those members to be present at the hearing.

6.—(1) Where, in the opinion of the chief constable, in the event of conviction of the person charged with an offence he could be adequately dealt with by a reprimand, caution or forfeiture of leave not exceeding three days, the chief constable may, before proceeding with the hearing of the charge, advise the person charged that he may elect summary trial and shall explain to him that in the event of such election,

- (a) the person charged shall not be entitled to have counsel;
(b) the evidence need not be given under oath or taken down in writing;
(c) the punishment will be limited to a reprimand, caution or forfeiture of leave not exceeding three days; and
(d) there shall be no appeal therefrom.

(2) Where the person charged does not elect a summary trial under subsection 1, he shall be given at least seven days' notice in writing of the time and place fixed for the hearing.

(3) If the person charged elects summary trial, the chief constable shall hear and decide the charge in accordance with subsection 1.

(4) If the person charged does not elect summary trial, the chief constable shall hear and decide the charge and,

- (a) the person charged is entitled to have counsel at the hearing;
(b) the witnesses shall be sworn;
(c) the evidence shall be recorded by some reliable means; and
(d) the chief constable may dismiss the charge or find the person charged guilty and award a punishment under section 11.

- (5) At a hearing under this section, the person charged shall have an opportunity of,
- hearing the evidence against him;
 - cross-examining the witnesses;
 - calling witnesses, whether members of a police force or any other persons, in his defence; and
 - presenting his argument,
- but if the person charged absconds or refuses or neglects without good and sufficient cause to attend the hearing at the time and place fixed, the case may be decided in his absence.
- (6) A decision under this section shall be written upon the charge sheet and a copy shall forthwith be served upon the person charged who shall acknowledge receipt thereof in writing.
- (7) Any punishment awarded under this section is subject to the approval of the council or, where there is a board, of the board, and the council or board, as the case may be, may alter or confirm the punishment.
- 7.—(1) The chief constable may designate the deputy chief constable or, where the rank of inspector is established, any other officer of the rank of inspector or higher who may exercise the powers and perform the duties of the chief constable under section 6.
- (2) Where an officer designated by the chief constable hears and decides a charge under section 6, the chief constable may review the decision and punishment and change the decision or punishment as he deems just.
- 8.—(1) A person found guilty after a hearing under subsection 4 of section 6 may appeal from the decision,
- where there is a board, to the board; or
 - where there is no board, to an appeal committee which shall be a committee of council composed of three members of the council appointed by the head of the council.
- (2) The appeal may be made by serving a notice thereof in writing upon the clerk of the municipality and upon the chief constable not later than fifteen days after the time of the service of the decision appealed from.
- (3) Where the chief constable is served with a notice of appeal under subsection 2, the chief constable shall forward to the appeal committee or board the record of the hearing including all documents, evidence and exhibits considered at the hearing and the appeal committee or board shall decide the appeal from the record but may, in special circumstances, hear such additional evidence as the appeal committee or board deems advisable.
- (4) An appeal committee or, where there is a board, the board, may hear any charge against a constable or other police officer in the first instance and subsections 5 and 6 of section 6 apply to the hearing.
- 9.—(1) A person found guilty by an appeal committee or board may appeal the decision to the Commission by serving notice thereof upon the clerk of the municipality and the chairman of the Commission not later than fifteen days after the time the appellant receives notice of the decision of the appeal committee or board.
- (2) Where a notice of appeal is served on the clerk under subsection 1, the appeal committee or board shall forward to the Commission the record of the hearing including all documents, evidence and exhibits considered at its hearing and the Commission shall decide the appeal from the record but may, in special circumstances, hear such additional evidence as the Commission deems advisable.
- (3) The decision of the Commission is final.
10. At the hearing of an appeal under section 8 or 9, the appellant and the person making the charge are entitled to appear or be represented by counsel and to present their argument.
11. A member of a police force who is guilty of an offence against the code may be punished by,
- dismissal; or
 - being required to resign; or
 - reduction in rank; or
 - a fine not exceeding \$50; or
 - forfeiture of leave or days off; or
 - reprimand; or
 - caution.
2. Section 15 of Regulation 486 of Revised Regulations of Ontario, 1960 is revoked and the following substituted therefor:
15. The council or, where there is a board, the board shall hear any charge against the chief constable and sections 8 and 9 apply *mutatis mutandis*.
- 3.—(1) Subsection 1 of section 16 of Regulation 486 of Revised Regulations of Ontario, 1960 is amended by inserting after "council" in the fifth line "or appeal committee thereof".
- (2) Subsection 2 of the said section 16 is amended by inserting after "council" in the second line "appeal committee".
4. Clause *b* of section 20 of Regulation 486 of Revised Regulations of Ontario, 1960, as remade by section 3 of Ontario Regulation 287/63, is revoked and the following substituted therefor:
- (b) is at least nineteen years of age and is not over the age of thirty-five years plus the total number of years of previous experience in police work.
5. Clause *f* of section 29 of Regulation 486 of Revised Regulations of Ontario, 1960 is amended by striking out "or its equivalent" in the second and third lines.
6. Sections 32 to 41 of Regulation 486 of Revised Regulations of Ontario, 1960 are revoked and the following substituted therefor:
- 32.—(1) The code of offences against discipline in the Schedule apply to the Force and in the code for the purposes of this Part "chief constable" means the Commissioner.
- (2) A contravention of the Act or of this Part by a member of the Force is an offence against the code.
- 33.—(1) Where a member of the Force is charged with an offence against the code, the charge

shall be served, as soon as is practicable, upon the person charged together with any report or complaint upon which the charge is founded.

- (2) The charge shall give such details of the time and place of the events and circumstances out of which the offence arises as to leave no doubt of the offence referred to.
34. The person charged may inform the Commissioner in writing of the names of the members of the Force whom he desires to give evidence at the hearing and the Commissioner shall order those members to be present at the hearing.
- 35.—(1) Where, in the opinion of the Commissioner or of a deputy or assistant Commissioner designated by the Commissioner, the person charged with an offence, if convicted, could be adequately dealt with by a reprimand, caution or forfeiture of leave not exceeding three days, the Commissioner or designated deputy or assistant Commissioner shall advise the person charged that he may elect summary trial and shall explain to him that in the event of such election,
- (a) the person charged shall not be entitled to have counsel;
 - (b) the evidence need not be given under oath or taken down in writing;
 - (c) the punishment will be limited to a reprimand, caution or forfeiture of leave not exceeding three days; and
 - (d) there shall be no appeal therefrom.
- (2) Where the person charged does not elect a summary trial under subsection 1, he shall be given at least seven days' notice in writing of the time and place fixed for the hearing.
- (3) If the person charged elects summary trial, the Commissioner or a deputy or assistant Commissioner designated by the Commissioner shall hear and decide the charge in accordance with subsection 1.
34. If the person charged does not elect summary trial, the Commissioner or a deputy Commissioner designated by him shall hear and decide the charge and,
- (a) the person charged is entitled to have counsel at the hearing;
 - (b) the witnesses shall be sworn;
 - (c) the evidence shall be recorded by some reliable means; and
 - (d) the Commissioner or deputy Commissioner, as the case may be, may dismiss the charge or find the person charged guilty and award a punishment under section 37.
35. At a hearing under this section, the person charged shall have an opportunity of,
- (a) hearing the evidence against him;
 - (b) cross-examining the witnesses;
 - (c) calling witnesses, whether members of a police force or other persons, in his defence; and
 - (d) presenting his argument,

but if the person charged absconds or refuses or neglects without good and sufficient cause to attend the hearing at the time and place fixed, the case may be decided in his absence.

- (6) Where a hearing is held under subsection 3 by a deputy Commissioner or assistant Commissioner or under subsection 4 by a deputy Commissioner, the Commissioner may review the decision and punishment and change the decision or punishment as he deems just.
- (7) A decision under this section shall be written upon the charge sheet and a copy shall forthwith be served upon the person charged who shall acknowledge receipt thereof in writing.
- 36.—(1) A person found guilty after a hearing under subsection 4 of section 35 may appeal the decision to the Commission by serving notice thereof upon the Commissioner and the Chairman of the Commission not later than fifteen days after the time the appellant receives notice of the decision of the Commissioner or the deputy Commissioner, as the case may be.
2. Where the Commissioner is served with a notice of appeal under subsection 1, the Commissioner shall forward to the Commission all documents, evidence and exhibits considered at his hearing and the Commission shall decide the appeal from the record but may, in special circumstances, hear such additional evidence as the Commission deems advisable.
- (3) At the hearing of an appeal the appellant and the person making the charge are entitled to appear or be represented by counsel and to present their argument.
- (4) The decision of the Commission is final.
- 37.—(1) A member of the Force who is found guilty of an offence against the code may be punished by,
- (a) dismissal; or
 - (b) being required to resign; or
 - (c) reduction in rank; or
 - (d) a fine not exceeding \$50; or
 - (e) forfeiture of leave or days off; or
 - (f) reprimand; or
 - (g) caution.
- (2) Where a decision imposing punishment under subsection 1 becomes final and action by the Lieutenant Governor in Council is required to implement the punishment, the Commissioner or Commission, as the case may be, imposing the punishment shall submit the decision to the Attorney General for his recommendation to the Lieutenant Governor in Council.
38. During the absence or illness of the Commissioner, the officer acting in his stead shall exercise the powers and discharge the duties of the Commissioner under this Part.
7. Clause *b* of section 44 of Regulation 486 of Revised Regulations of Ontario, 1960 is amended by striking out "active" in the first line.
8. Form 1 of Regulation 486 of Revised Regulations of Ontario, 1960 is revoked and the following substituted therefor:

Form 1

The Police Act

CHARGE SHEET

1. Report against:..... (name and rank of accused)

(1065)

32

2. Date of charge:.....

3. Particulars of charge:.....

.....

.....

.....

(signature of complainant)

4. I elect summary trial by the chief constable or an officer designated by him (See note).

(signature of accused)

5. Decision of chief constable:.....

.....

.....

.....

(signature of chief constable)

6. Notice of appeal to appeal committee or board served on chief constable.....

(date)

7. Disposition of appeal to appeal committee or board:.....

.....

(signature of chairman of appeal committee or board)

8. Notice of appeal to Ontario Police Commission served on clerk of municipality.....

(date)

9. Disposition of appeal to Ontario Police Commission:.....

.....

(signature of chairman)

NOTE

Where, in the opinion of the chief constable or his designee, the charge may be dealt with by summary trial, the chief constable or his designee shall, before item 4 of this Form is signed, read to the accused the following caution:

"You are entitled to a hearing at which you are entitled to your own counsel, the witnesses will be sworn, the evidence will be recorded and you may appeal to the appeal committee of council (or board of police commissioners, as applicable) and to the Ontario Police Commission.

You are also entitled to elect a summary trial at which the punishment is limited to a reprimand, caution or forfeiture of leave not exceeding three days. However, at the summary trial you are not

entitled to your own counsel, the evidence need not be sworn or recorded and there is no appeal.

If you sign item 4 in this Form, you are electing summary trial."

THE PENSION BENEFITS ACT, 1962-63

O. Reg. 201/64.

General.

Made—July 30th, 1964.

Filed—August 4th, 1964.

REGULATION MADE UNDER THE PENSION BENEFITS ACT, 1962-63

GENERAL

1. In this Regulation,

(a) "accountant" means a public accountant licensed under The Public Accountancy Act;

(b) "actuary" means a Fellow of the Society of Actuaries or of the Institute of Actuaries of Great Britain or of the Faculty of Actuaries in Scotland;

(c) "experience deficiency" when applied to a pension plan, means any deficit, determined at the time of a review of the plan, that is attributable to factors other than,

(i) the existence of an initial unfunded liability, or

(ii) the failure of the employer to make any payment as required by the terms of the plan or by the Act or this Regulation;

(d) "fully funded" when applied to a pension plan, means a pension plan that at any particular time has assets that will provide for the payment of all pension and other benefits required to be paid under the terms of the plan in respect of service rendered by employees and former employees prior to that time;

(e) "government" means Her Majesty in right of Ontario, an agent of Her Majesty, or a municipality as defined in The Department of Municipal Affairs Act;

(f) "provisionally funded" when applied to a pension plan, means a pension plan that at any particular time has not assets sufficient to make it fully funded but has made provision for special payments sufficient to liquidate all initial unfunded liabilities or experience deficiencies;

(g) "special payment" means a payment or payments made to or under a pension plan for the purpose of liquidating an initial unfunded liability or experience deficiency in accordance with section 2;

(h) "initial unfunded liability" means the amount by which, on the 1st day of January, 1965, or the date on which the plan qualifies for registration, or subsequently as the result of an amendment, the assets are required to be augmented to ensure that the plan is fully funded.

2.—(1) An application for registration of a pension plan shall be in Form 1.

(2) Every pension plan submitted for registration shall include a provision for funding which shall set forth the obligation of the employer to contribute both in respect of the current service cost of the plan and in respect of any initial unfunded liabilities and experience deficiencies.

(3) The employer shall pay currently into any plan or fund providing pensions for his employees,

- (a) all current service costs, including any contributions made by employees;
- (b) where the plan has an initial unfunded liability, special payments consisting of equal annual amounts sufficient to liquidate such initial unfunded liability over a term not exceeding,
 - (i) in the case of an initial unfunded liability existing on the 1st day of January, 1965, in any plan established before that date, twenty-five years from that date, and
 - (ii) in the case of an initial unfunded liability resulting from an amendment to a pension plan made on or after the 1st day of January, 1965, or resulting from the establishment of a pension plan on or after the 1st day of January, 1965, fifteen years from the date of such amendment or establishment;
- (c) where a pension plan has an experience deficiency, special payments consisting of equal annual amounts sufficient to liquidate such experience deficiency over a term not exceeding five years from the date on which the experience deficiency was determined.

(4) The liquidation of initial unfunded liabilities or experience deficiencies may be accelerated at any time.

(5) Where an insured pension plan established before the 1st day of January, 1965 is funded by level annual premiums to retirement age for each individual member, it shall be deemed to meet the requirements of subsection 1 of clause *b* of subsection 3.

3.—(1) On or before the 1st day of January, 1966 in the case of pension plans registered on or before that date, or within sixty days after the date of establishment of the plan in other cases, the employer shall submit a report of the person authorized by section 5 certifying,

- (a) the estimated cost of benefits in respect of service in the first year during which such plan is registered and the rule for computing such cost in subsequent years up to the date of the next report;
- (b) the initial unfunded liability, if any, for benefits under the pension plan as at the date on which the plan qualified for registration; and
- (c) the special payments required to liquidate such initial unfunded liability in accordance with section 2.

(2) Where an insured pension plan is funded by level annual premiums extending not beyond the retirement age for each individual member, the report may certify the adequacy of the premiums to provide for the payment of all benefits under the plan in lieu of the matters required to be certified under clauses *a*, *b* and *c* of subsection 1.

4.—(1) The employer in respect of a registered pension plan shall cause the plan to be reviewed by a person authorized by section 5 not more than five years after registration and at intervals of not more than five years thereafter and the person reviewing the plan shall prepare a report certifying,

- (a) the estimated cost of benefits in respect of service in the next succeeding year and the rule for computing such cost in subsequent years up to the date of the next report;
- (b) the surplus or the experience deficiency in the pension plan after making allowance for the present value of all special payments required to be made in the future by the employer as determined by previous reports; and
- (c) the special payments which will liquidate any such experience deficiency over a term not exceeding five years.

(2) The employer shall file the report with the Commission upon its receipt.

(3) If the report of a person authorized by section 5 discloses a surplus in a pension plan, the amount of any future payments required to be made to the fund or plan may be reduced by the amount of such surplus.

5. The reports and certificates referred to in sections 3 and 4 shall be made by an actuary, except that reports and certificates in respect of,

- (a) a pension plan under which all benefits are determined on a money purchase basis and purchased from an insurer on or before retirement;
- (b) a pension plan underwritten by a contract or contracts with an insurance company, other than such a contract operating on the deposit administration or segregated fund principle;
- (c) a pension plan underwritten by a contract or contracts issued under the *Government Annuities Act* (Canada); or
- (d) a pension plan under which the solvency does not in the opinion of the Commission substantially depend on the probabilities of future death, retirement or termination of service,

may be made by an accountant or a qualified officer of the insurance company or of the trust company, or of the Annuities Branch, Department of Labour (Canada) administering the plan.

6. The annual information return required under subsection 4 of section 14 of the Act in respect of every registered pension plan shall include,

- (a) a report on the financial operations of the pension plan for the fiscal year showing the aggregate of the amounts paid to the pension plan for current services and the aggregate of the special payments paid to the pension plan;
- (b) in the case of a non-insured plan or a plan operating on the segregated fund principle, a report showing by categories the amounts of the loans and investments of the assets of the pension plan; and
- (c) a statistical report setting forth the membership position of the plan.

7.—(1) Every pension plan shall be deemed to be solvent if it is fully funded or provisionally funded.

(2) A pension plan administered for employees of a government shall be deemed to be solvent if,

- (a) each year the cost of current service benefits for that year is paid;
- (b) interest is paid on the amount of any initial unfunded liability at the 1st day of January, 1965, at an annual rate calculated to prevent an increase in liability;
- (c) any initial unfunded liability created by an amendment to the plan is liquidated by special payments over a term not exceeding fifteen years from the date of such amendment; and
- (d) any experience deficiency is liquidated by special payments over a term not exceeding five years from the date on which such experience deficiency was revealed.

8. Where a registered pension plan is amended, the employer shall immediately file with the Commission a copy of the amendment and such additional information and reports as the Commission requires to determine the amount of initial unfunded liability created by the amendment and the special payments required to liquidate the initial unfunded liability.

9. Upon application for registration of a pension plan having the number of members shown in column 1 of the following Table, the employer shall pay the registration fee set opposite thereto in column 2:

TABLE OF REGISTRATION FEES

COLUMN 1	COLUMN 2
Number of Plan Members	Registration Fee
0-9	\$ 2.00
10-99	10.00
100 and over	50.00

10.—(1) Every pension plan filed with the Commission for registration shall be accompanied by a certified copy of the trust deed, insurance contract, by-law or other document under which such plan is constituted.

(2) The Commission may, at any time upon reasonable notice, require an employer to obtain and file such special reports as the Commission requires.

(3) Where the Commission does not accept a pension plan for registration, the Commission shall state the reasons for rejection in the advice sent to the employer under section 16 of the Act.

11. Every pension plan shall define the benefits provided by the plan, the method of determination and the payment of benefits, conditions for qualification for membership in the plan and the financial arrangements made to ensure provisional or full funding of benefits under the plan.

12. Where a pension plan is discontinued, no part of the assets of the plan shall revert to the employer until provision has been made for all pensions and other benefits in respect of service up to the date of the discontinuance to members of the plan and for all benefits to pensioners, dependants and estates in accordance with the terms of the plan.

13.—(1) The commuted value of a deferred life annuity shall be calculated using a rate of interest and mortality table and in such manner as may be approved by the Commission.

(2) In the case of an insured pension plan of the individual policy type, the deferred life annuity referred to in clause *a* of subsection 1 of section 18 of the Act shall be equal to the paid-up annuity under the policy.

14. Where a pension plan has provision in effect on the 1st day of January, 1965 for the payment of a supplemental or minimum make-up annuity that is not on the average a substantial portion of the total annuity of employees retiring under the plan, the supplemental or minimum make-up annuity may, with the approval of the Commission, be excluded in computing the pension benefit.

15.—(1) This section applies notwithstanding the provisions of any pension plan or any instrument governing the plan.

(2) The funds of a pension plan may be invested and loaned only in investments and loans in which a company may invest and lend under subsections 1, 2, 5, 6 and 10 of section 63 of the *Canadian and British Insurance Companies Act* (Canada), and the restrictions and limitations contained therein apply.

(3) Where a pension fund owns securities of a corporation and as a result of a *bona fide* arrangement for the reorganization or liquidation of the corporation or for the amalgamation of the corporation with another corporation, such securities are to be exchanged for bonds, debentures or other evidences of indebtedness, or shares not eligible as investments under subsection 2, the pension fund may accept such bonds, debentures or other evidences of indebtedness or shares, but, unless it is shown to the satisfaction of the Commission that such bonds, debentures or other evidences of indebtedness or shares are not inferior in status or value to the securities for which they have been substituted or unless they become eligible as investments under this section, they shall be an asset of the fund only for a period of five years after their acceptance, or such further period as the Commission may from time to time determine.

(4) The funds of a pension plan may be invested or loaned in investments or loans not authorized by subsection 2 or 3, including investments in real estate or leaseholds, subject to the following provisions:

1. Investments in real estate or leaseholds under this subsection shall be made in Canada and only for the production of income and may be made either alone or jointly with another plan and the fund or plan may hold, maintain, improve, develop, repair, lease, sell or otherwise deal with or dispose of such real estate or leaseholds, but the total investment of a fund under this subsection in any one parcel of real estate or in any one leasehold shall not exceed one-half of one per cent of the book value of the total assets of the fund.
2. This subsection shall be deemed not to enlarge the authority conferred by subsections 1 and 2 of section 63 of the *Canadian and British Insurance Companies Act* (Canada) to invest in mortgages or hypothecs and to lend on the security of real estate or leaseholds, and not to affect the operation of sub-paragraphs i and ii of paragraph 1 of subsection 1 of the said section 63.
3. The total book value of the investments and loans made under this subsection and held by the fund, excluding those that are or at any time since acquisition have been eligible apart from this subsection, shall not exceed 7 per cent of the book value of the total assets of the fund.

- (5) The funds of a pension plan shall not be lent to,
 - (a) the wife or a child of the employer or, where the employer is a corporation, a director or officer of the corporation or his wife or child;
 - (b) a corporation of which more than one-half of the shares of the capital stock are owned by the wife or a child of the employer, or any combination thereof or, where the employer is a corporation, by a director or officer of the employer corporation or his wife or child, or any combination thereof;
 - (c) an officer or employee of the fund or plan or an administrator or trustee of the fund or plan or an officer or employee of an administrator or trustee of the fund or plan or a union representing employees of the employer or an officer or employee of the union, or the wife or child of any of them; or
 - (d) the wife or child of an employee of the employer or an employee of the employer except on the security of a mortgage on residential real estate.
- (6) The funds of a pension plan shall not be invested or loaned if the result of the investing or loaning would be that more than 10 per cent of the book value of the total assets of the fund are invested in the assets of or loaned to any one corporation, partnership, association or person, including investment in shares, bonds, debentures or other evidences of indebtedness, loans by way of mortgage or otherwise and investment in

real estate, plant or equipment occupied or used by the corporation, partnership, association or person.

(7) All investments and deposits of the funds of a pension plan and all loans made out of a pension fund shall be made in the name of the fund or plan, and no officer or employee of the fund or plan, no trustee or administrator or officer or employee thereof, no employer, officer or employee thereof, no association of employees and no union, officer or employee thereof shall accept or be the beneficiary of, either directly or indirectly, any fee, brokerage, commission, gift or other consideration for or on account of any loan, deposit, purchase, sale, payment or exchange made by or on behalf of the pension fund.

(8) Notwithstanding subsections 2 and 3, the funds of a pension plan may be invested in a pooled, segregated or mutual fund that is limited in its investments and loans to those the pension plan is authorized to make under this section and subject to the same limitations and restrictions.

(9) A pension fund or plan may take additional securities of any nature further to secure the repayment to the fund of any loan or investment, or further to secure the sufficiency of any of the securities in or upon which such fund or plan is authorized to invest or lend any of its funds.

(10) Where, on the date the fiscal year of a pension fund ends next following the date this Regulation comes into force, the loans and investments of a pension fund do not conform in whole or in part to the provisions of this Regulation, they shall be brought into conformity within five years of the end of such fiscal year.

Form 1

The Pension Benefits Act, 1962-63

THE PENSION COMMISSION OF ONTARIO

CREST

APPLICATION FOR REGISTRATION OF A PENSION PLAN

For Commission Use Only
C
RA

In compliance with The Pension Benefits Act, 1962-63, as amended in 1964, I/we

.....
(name of company, association or other employer)

hereby make application for registration of the pension plan, details of which have been entered on the forms which constitute parts of this application, and attach hereto the text of the said pension plan, together with any amendments thereto, and hereby certify that the information given in all forms, texts, and amendments relating to this application is true and correct to the best of my/our knowledge and belief.

.....
(signature)

.....
(name (printed))

.....
(title or position)

Date....., 19....

For Commission Use Only REMARKS:	Plan Text	Amendments
	Check enclosed <input type="checkbox"/> Amount \$.....	
	Receipt sent No.....	
	Checked	
	Accepted	

PCO2-7/64

THE PENSION COMMISSION OF ONTARIO
 APPLICATION FOR REGISTRATION OF A PENSION PLAN
 (DATA SHEET)

1. Employer's Name
2. Head Office Address
3. Principal Ontario Address if other than (2)
4. Names and Addresses of other subsidiary or associated companies (if any) included in plan covered by this application. (Instruction Sheet A2.)
 - (a)
 - (b)
 - (c)
 - (d)
 - (e)

5. Nature of Business. Check ONE. (Instruction Sheet C5.)

1. Agriculture, forestry, fishing
2. Mines, quarries, oil wells
3. Manufacturing
4. Construction
5. Transport and Communications
6. Trade, wholesale and retail
7. Finance and Insurance
8. Education and Services
9. Government

6. Type of employer organization. Check ONE.

NOTE: If the pension plan covers employees of a particular industry and is contributed to by a number of employers—please check 8 and specify 'multi-employer'.

- | | |
|--|---|
| 1. <input type="checkbox"/> Corporation (other than Crown) | 5. <input type="checkbox"/> Federal Gov't. or Agency |
| 2. <input type="checkbox"/> Partnership | 6. <input type="checkbox"/> Provincial Gov't. or Agency |
| 3. <input type="checkbox"/> Sole Proprietor | 7. <input type="checkbox"/> Municipal Gov't. or Agency |
| 4. <input type="checkbox"/> Registered Association | 8. <input type="checkbox"/> Other (specify)..... |

7. Identification of Plan:

- (a) Name and Title of Plan:
- (b) Plan or Agreement No.:
- (c) Name and Address of Insurance Company, if any:
- (d) Name and Address of Trustee, if any:
- (e) Name and Address of Administrator, if any:
- (f) Effective Date of Plan:
- (g) Plan Year ends on: of each year.

8. Plan Membership:

NOTE: Please enter the number as at August 1, 1964, or, in the case of a pension plan established after that date, as at the effective date of such plan.

	Male	Female	Total
Number of Ontario Members in this plan on payroll.....

9. Eligibility for Membership for New Employees:

- (a) Class of employees (other than part-time) eligible for membership in this plan:
 - 1. All employees.
 - 2. Salaried only.
 - 3. Hourly rated only.
 - 4. Other (please specify).....

(b) Age limits for entry to plan	Male	Female
Minimum age
Maximum age

(c) Minimum service for entry Male Female

10. Normal retirement age of members (from January 1, 1965, or effective date if later). (No reference required to exceptional cases.).....	Male	Female

11. Contributions (from January 1, 1965 or effective date if later).

- (a) Are members *required* to pay contributions?

Male	<input type="checkbox"/> Yes	<input type="checkbox"/> No
Female	<input type="checkbox"/> Yes	<input type="checkbox"/> No

- (b) If 'yes', at what rate?
 - 1. % of earnings
 - 2. \$..... per year
 - 3. Variable formula

12. Pension formula (Instruction Sheet Section C):

- (a) Future Service Pension (from January 1, 1965 or effective date if later).

NOTE: Please check ONE of the following and enter applicable details only for that alternative. The entry should show the basis of the future service pension, excluding the effect of any Old Age Security type of adjustment and excluding any maximum or minimum pension (see Section C of Instruction Sheet for further details). If plan provides for better of two alternatives, then show here the one that you consider the most usually applicable and show the other as a minimum pension under Question 12 (d).

- 1. Final Earnings or Final Average Earnings Pension Plan.
Pension for each year of service% of average of last or best years before retirement.

(NOTE: If pension is based on earnings at retirement, enter 1 year.)

- 2. Career Average Earnings Pension Plan.
Pension for each year of service% of earnings in that year.

3. Money Purchase Pension Plan.
(With specified contributions of employer or of employer and employee.)

Employer contributions % of employee's earnings.

Employer contributions of \$ per year.

Employer contributions—variable formula.

4. Profit sharing Pension Plan.
(With employer contributions based upon the company's profits.)

5. Flat Benefit Pension Plan.
Pension for each year of service \$ per month.

6. Other Types or Combinations (please describe)
.....
.....
.....

(b) Old Age Security adjustment.

Is there an automatic Old Age Security type of adjustment in the normal pension described in Question 12 (a)? Yes No

If 'yes', state formula
.....

(c) Past Service Pension.

If plan was first established on or after January 1, 1965, are any pensions provided for service prior to effective date of the plan? Yes No

What is the formula for such past service pension?
.....

(d) Is there a minimum pension? Yes No

If 'yes', state formula
.....

Is there a maximum pension? Yes No

If 'yes', state formula
.....

13. Death benefits (from January 1, 1965 or effective date if later):

(a) Benefits on death *prior to* retirement (other than benefits from a group life insurance plan). Check ONE. Information is not required as to whether items 2, 3, and 4 include or exclude interest.

- 1. Nil
- 2. Employee contributions
- 3. Employee plus total employer contributions
- 4. Employee plus vested portion of employer contributions
- 5. Widow's Pension
- 6. Other (please specify)

(b) Benefits on death *after* retirement. Check ONE, showing the normal basis.

- 1. Nil
- 2. Pension guaranteed for years
- 3. Balance of employee contributions over pension payments
- 4. Depends on option chosen (no standard form of pension)
- 5. Widow's Pension
- 6. Other (please specify)

14. Vested Rights on Termination of Employment (from January 1, 1965 or effective date if later). In answering these questions, please ignore pensions provided by employee additional voluntary contributions.
- (a) Does a member who terminates employment after attaining age 45 and completing 10 years of continuous service have an unrestricted vested right to the pension in respect of service *after* January 1, 1965? Yes No
 - (b) Does a member who terminated employment after attaining age 45 and completing 10 years of continuous service have an unrestricted vested right to the pension in respect of service *before* January 1, 1965? Yes No
 - (c) What is the maximum percentage of the vested pension under (a) (from both employer and employee required contributions) that may be commuted for cash?%
 - (d) Does the plan provide for any vesting for a member who terminates employment before attaining age 45 or before completing 10 years of service? Yes No

15. Funding:

- (a) Does the pension plan provide that the employer shall pay the current service cost each year (in excess of employee contributions, if any)? Yes No
- (b) Please answer either (i) or (ii), whichever applies.

Does the pension plan provide that the employer shall pay,

- (i) in the case of a plan established before January 1, 1965, for liquidation of the unfunded liability existing on January 1, 1965 over a period not exceeding 25 years from that date? Yes No

OR

- (ii) in the case of a new plan established on or after January 1, 1965, for liquidation of the unfunded liability over a period not exceeding 15 years from the effective date of the plan? Yes No

16. Information to members:

Has each member received a written explanation of the terms and conditions of the plan and his rights and duties thereunder? Yes No

17. Underwriting:

What instrument of underwriting is now being used for currently accruing benefits? (Check one or more.)

- 1. Individual insurance or annuity policies.
- 2. Fully insured group annuity contract.
- 3. Deposit administration contract with insurance company.
- 4. Segregated fund contract with insurance company.
- 5. Government Annuities Branch individual or group contracts.
- 6. Pension trust fund with a corporation trustee (pooled or individual fund).
- 7. Pension trust fund with individual trustees.
- 8. Other (describe).....

18. Investment:

If any of the assets of the pension plan are held in a pension trust fund or under a segregated fund contract, does the plan provide or will it provide from January 1, 1965 that the investment of pension fund moneys shall be restricted to the securities and loans prescribed by the Regulation? Yes No

19. Additional Explanation:

.....
.....

THE HOSPITAL SERVICES COMMISSION ACT

O. Reg. 202/64.

General.

Made—July 8th, 1964.

Approved—July 30th, 1964.

Filed—August 6th, 1964.

**REGULATION MADE UNDER
THE HOSPITAL SERVICES COMMISSION ACT**

1. Item 111 of Part I of Schedule 2 to Regulation 238 of Revised Regulations of Ontario, 1960 is amended by striking out "Port Hope Hospital" and inserting in lieu thereof "The Port Hope and District Hospital".

2.—(1) Part II of Schedule 4 to Regulation 238 of Revised Regulations of Ontario, 1960, as remade by section 2 of Ontario Regulation 301/63 and amended by section 1 of Ontario Regulation 108/64, section 2 of Ontario Regulation 137/64 and section 3 of Ontario Regulation 165/64, is further amended by adding thereto the following items:

- 1a. Barrie Royal Victoria Hospital of Barrie

- 23b. Kapuskasing Sensesbrenner Hospital

- 30a. Niagara Falls The Greater Niagara General Hospital

- 39a. Port Arthur St. Joseph's General Hospital

- 51a. Strathroy Strathroy-Middlesex General Hospital

- 54a. Walkerton County of Bruce General Hospital

- 57a. Winchester Winchester District Memorial Hospital

(2) Item 40 of the said Part II of Schedule 4 is amended by striking out "The Port Hope Hospital" and inserting in lieu thereof "The Port Hope and District Hospital".

3. Part III of Schedule 7 to Regulation 238 of Revised Regulations of Ontario, 1960 is amended by adding thereto the following item:

- 3. Brantford The Annex-Brant Sanatorium

HOSPITAL SERVICES COMMISSION
OF ONTARIO:

J. B. NEILSON,
Chairman.

E. P. MCGAVIN,
Commissioner.

Dated at Toronto, this 8th day of July, 1964.

(1085)

33

THE PUBLIC HOSPITALS ACT

O. Reg. 203/64.

Grants—Capital.

Made—July 30th, 1964.

Filed—August 6th, 1964.

**REGULATION MADE UNDER
THE PUBLIC HOSPITALS ACT**

1.—(1) Clause *b* of subsection 4 of section 3 of Ontario Regulation 308/63 is amended by inserting after "accommodation" in the second line "subject to clause *bb*".

(2) Subsection 4 of the said section 3 is amended by adding thereto the following clause:

- (*bb*) a hospital that has agreed to provide laundry service for one or more other hospitals, the capital grant shall not exceed \$3,600 for each bed unit of laundry service;

(3) Subsection 5 of the said section 3 is revoked and the following substituted therefor:

- (5) For a renovation project, the capital grant for each bed or bed unit improved by such renovation or alteration shall not exceed, in the case of,

- (*a*) a psychiatric unit of a Group A hospital, or of a Group B hospital having a total bed capacity exceeding 200 beds, two-thirds of the cost of the renovation project or \$8,500 for each bed and \$3,200 for each bed unit, whichever is the lesser; or

- (*b*) a hospital not included in clause *a*, one-third of the cost of the renovation project or \$2,000 for each bed and \$3,200 for each bed unit, whichever is the lesser,

or such lesser amount as is deemed by the Commission sufficient for the public interest.

2. Section 8 of Ontario Regulation 308/63 is revoked and the following substituted therefor:

- 8. A capital grant for a building project shall be paid in instalments as follows:

- 1. One-eighth when one-eighth of the work is completed.
- 2. One-eighth when one-quarter of the work is completed.
- 3. One-eighth when three-eighths of the work is completed.
- 4. One-eighth when one-half of the work is completed.
- 5. One-eighth when five-eighths of the work is completed.
- 6. One-eighth when three-quarters of the work is completed.
- 7. One-eighth when seven-eighths of the work is completed.
- 8. The balance when the building project is completed, furnished, equipped and ready to receive patients.

3. Ontario Regulation 308/63 is amended by adding thereto the following section:

9a. The Commission may pay a grant,

(a) for a building project referred to in clause *bb* of subsection 4 of section 3; or

(b) for a renovation project referred to in subsection 5 of section 3,

that is not completed before the 1st day of July, 1964, or that is commenced after the 1st day of July, 1964.

(1086)

33

THE INDUSTRIAL STANDARDS ACT

O. Reg. 204/64.

Schedule—Millinery Industry (Ontario).

Made—July 30th, 1964.

Filed—August 7th, 1964.

REGULATION MADE UNDER THE INDUSTRIAL STANDARDS ACT

1. The Schedule is in force during pleasure within the Ontario Zone and is binding upon employers and employees in the millinery industry.

2. Regulation 353 of Revised Regulations of Ontario, 1960 is revoked.

Schedule

INTERPRETATION

1. In this Schedule,

(a) "Civic Holiday" means a holiday only where it is so declared under a by-law of the municipality in which an employee performs his work;

(b) "holiday" means,

(i) New Year's Day,

(ii) Good Friday,

(iii) Victoria Day,

(iv) Civic Holiday,

(v) Labour Day,

(vi) Thanksgiving Day,

(vii) Christmas Day

HOURS OF WORK

2. The regular working periods for the industry are,

(a) a regular working week consisting of not more than 37½ hours of work to be performed during the regular working days; and

(b) a regular working day consisting of not more than 7½ hours of work to be performed on Monday, Tuesday, Wednesday, Thursday and Friday between 8 a.m. and 4.30 p.m., or between 8.30 a.m. and 5.00 p.m., with one hour each day for noon recess.

3.—(1) An employer shall elect the hours of the day under clause *b* of section 2 during which work is to be performed by his employees.

(2) The employer shall,

(a) post in a conspicuous place where his employees are engaged in their duties; and

(b) file with the advisory committee,

a notice setting out the hours of the day during which work is to be performed by his employees.

(3) Thereafter the employer shall give thirty days' notice in writing to his employees and to the advisory committee of a change in the hours of the day during which work is to be performed by his employees.

4. No person shall perform work in the industry on,

(a) New Year's Day,

(b) Labour Day; or

(c) Christmas Day.

5.—(1) Where an employee has been in the employ of an employer for more than one month, the employee is entitled to wages for 7½ hours at the minimum rate of wages under section 9 for a holiday.

(2) Where an employee who has been in the employ of an employer for more than one month, performs work on Good Friday, Victoria Day, Civic Holiday or Thanksgiving Day, he shall be paid the minimum rate of wages under section 9 for the work performed in addition to the wages payable to the employee for the holiday under subsection 1.

OVERTIME WORK

6.—(1) Work performed in the industry at any time other than during the regular working periods is overtime work.

(2) Overtime work of not more than ten hours may be performed between Monday, and noon on Saturday of the same week during,

(a) the two-hour period immediately following a regular working day; and

(b) the four-hour period between 8 a.m. and 12 noon on Saturday.

7.—(1) No overtime shall be performed in the industry without a permit from the advisory committee.

(2) The advisory committee is authorized to issue the permits subject to this Schedule.

(3) An application by an employer for an overtime permit shall be made in writing to the advisory committee.

(4) Where the advisory committee has issued a permit authorizing overtime work to an employer, he shall post the permit during the period it is in force in a conspicuous place where his employees are engaged in their duties.

CLASSIFICATION OF EMPLOYEES

8. The following classification of employees in the industry is established:

i. Class A, composed of hand-blockers, being persons who, by hand, shape or shrink headgear to style or size on a wooden-block form.

ii. Class B, composed of blockers, being persons who,

(a) block and press headgear in a hydraulic press or stamping machine;

- (b) by hand or machine,
- (I) brush,
 - (II) buff,
 - (III) pounce, and
 - (IV) slick,
- headgear manufactured from felt;
- (c) stiffen and size headgear; and
- (d) make saddles for hydraulic dies.
- iii. Class C, composed of,
- (a) cutters, being persons who,
 - (I) lay up material to the number of layers required,
 - (II) assemble patterns on material,
 - (III) mark with chalk or wax around the pattern on the top layer of material, and
 - (IV) cut the material with knife, shears, or electric cutting machine; and
 - (b) operators, being persons who,
 - (I) by machine, sew together segments of material including straw braid to form crowns or brims, sew crowns to brims, sew trimmings, sew in to headgear size-bands, linings or sweat bands or stitch brims, or
 - (II) pull brims.
- iv. Class D, composed of drapers, being persons who,
- (a) by hand sew together segments of material to form headgear;
 - (b) by steam machine,
 - (I) shape, or
 - (II) press,

headgear of any material to size or style;
 - (c) drape or pin or cut material;
 - (d) make or sew on trimmings, or ornaments; or
 - (e) sew in sweat-bands or linings.
- v. Class E, composed of trimmers, being persons who, by hand,
- (a) make,
 - (I) bands,
 - (II) bows, and
 - (III) any other trimmings and ornaments,

from materials used for trimming headgear;
 - (b) sew on or attach trimmings or ornaments; and
 - (c) sew in sweat-bands and linings.

- vi. Class F, composed of general hands, being persons who,
- (a) sew on tickets or labels;
 - (b) cut ribbons and veilings;
 - (c) stamp ornaments;
 - (d) steam and press,
 - (I) ribbons,
 - (II) felt pieces, and
 - (III) veilings; and
 - (e) examine, clean and press finished hats.

MINIMUM RATES OF WAGES

9. The minimum rate of wages for all work performed in the industry during regular working periods by employees classified under section 8 is,

- (a) where the work is performed before the 15th day of February, 1965, the hourly rate set opposite the respective classes as follows:

- i. Class A, \$2.159,
- ii. Class B, \$2.021,
- iii. Class C, \$1.956,
- iv. Class D, \$1.423,
- v. Class E, \$1.21,
- vi. Class F, \$1.093; and

- (b) where the work is performed on or after the 15th day of February, 1965, the hourly rate set opposite the respective classes as follows:

- i. Class A, \$2.186,
- ii. Class B, \$2.048,
- iii. Class C, \$1.983,
- iv. Class D, \$1.45,
- v. Class E, \$1.237,
- vi. Class F, \$1.12.

RATES OF WAGES FOR OVERTIME WORK

10. The rate of wages for overtime work performed in the industry by employees classified under section 8 is $1\frac{1}{2}$ times the hourly rate set opposite the respective classes in section 9.

ASSESSMENT

11. Subject to the approval of the Board,

- (a) each employer in the industry is assessed one-half of one percent of his payroll; and
- (b) each employee is assessed one-half of one percent of his wages,

to provide revenue for the enforcement of this Schedule.

ADVISORY COMMITTEE

12. The advisory committee is authorized to fix a minimum rate of wages lower than the rate fixed by the Schedule for a person,

- (a) who performs work included in more than one class of employees;

(b) whose work is only partly subject to this Schedule; or

(c) who is handicapped.

13. Subject to the approval of the Board, the advisory committee is authorized,

(a) generally, to administer and enforce this Schedule; and

(b) to collect the assessments under section 11 and, out of the revenue collected, to make such expenditures as are necessary for the administration and enforcement of this Schedule.

We approve sections 11 and 13 and this is the approval referred to in those sections.

INDUSTRY AND LABOUR BOARD:

E. G. GIBB,
Chairman.

J. F. NUTLAND,
Member.

H. G. PIERCY,
Member.

Dated at Toronto, this 27th day of July, 1964.

(1087)

33

THE PROVINCIAL PARKS ACT

O. Reg. 205/64.

Designation of Parks.

Made—August 6th, 1964.

Filed—August 7th, 1964.

REGULATION MADE UNDER THE PROVINCIAL PARKS ACT

1. Section 3 of Regulation 498 of Revised Regulations of Ontario, 1960 is revoked.

2. Schedule 34 of Appendix B to Regulation 498 of Revised Regulations of Ontario, 1960, as remade by section 1 of Ontario Regulation 161/64, is revoked and the following substituted therefor:

Schedule 34

DARLINGTON PROVINCIAL PARK

In the Township of Darlington in the County of Durham and described as follows:

1. The parts of lots 32, 33 and 34 and the west half of Lot 31 in the Broken Front Concession lying south of the southerly limit, as defined by the fence existing in February, 1956, of the right of way of the Canadian National Railways.

2. Lot 35 in the Broken Front Concession.

3. The part of Lot 35 in Concession I lying south of the southerly limit, as defined by the fence existing in February, 1956, of the right of way of the Canadian National Railways.

4. Beginning at a point in the water's edge of Lake Ontario, in Lot 31, Broken Front Concession, Township of Darlington, and which point is located as follows:

Starting at the northwesterly corner of said Lot 31; thence north 73° 14' east along the northerly limit of said Lot 31, a distance of 663.8 feet; thence south 17° 10' 40" east 920.34 feet; thence south 17° 28' 30" east 2566.5 feet to a survey post planted; thence continuing south 17° 28' 30" east 280.0 feet to the place of beginning; thence south 17° 28' 30" east 600.0 feet; thence westerly in a straight line to a point in the southerly production of the westerly limit of Lot 35, Broken Front Concession, distant 3455.0 feet measured south 16° 58' 30" east along the said westerly limit of Lot 35 and its southerly production from the northwesterly corner thereof; thence north 16° 58' 30" west along the said southerly production 3405.0 feet, more or less, to a point in the water's edge of Lake Ontario; thence in a general southeasterly, westerly, southerly and south-easterly direction following the said water's edge to the place of beginning.

(1088)

33

THE GAME AND FISH ACT, 1961-62

O. Reg. 206/64.

Open Seasons—Deer, Moose and Black Bear.

Made—August 6th, 1964.

Filed—August 7th, 1964.

REGULATION MADE UNDER THE GAME AND FISH ACT, 1961-62

1.—(1) Clauses *e, f, g, h, i, j* and *k* of section 3 of Ontario Regulation 189/63 are revoked and the following substituted therefor:

(*e*) Schedule 5 from the 2nd day of November to the 14th day of November, both inclusive, in the year 1964;

(*f*) Schedule 6 from the 2nd day of November to the 7th day of November, both inclusive, in the year 1964;

(*g*) Schedule 7 from the 2nd day of November to the 5th day of November, both inclusive, in the year 1964;

(*h*) Schedule 8 from the 19th day of October to the 31st day of October, both inclusive, in the year 1964;

(*i*) Schedule 9 from the 2nd day of November to the 31st day of December, both inclusive, in the year 1964;

(*j*) Schedule 10 from the 12th day of October to the 11th day of November, both inclusive, in the year 1964; and

(*k*) paragraph 1 of Schedule 16 from the 2nd day of November to the 4th day of November, both inclusive, in the year 1964.

(2) Clause *l* of the said section 3, as made by section 1 of Ontario Regulation 299/63, is revoked.

2. Section 3*a* of Ontario Regulation 189/63, as made by section 2 of Ontario Regulation 299/63, is revoked and the following substituted therefor:

3*a*. The holder of a resident's licence to hunt bear and deer, a farmer's licence to hunt bear and deer or a resident's camp licence for hunting deer may hunt deer in those parts of Ontario described in paragraphs 2, 3 and 4 of Schedule 16 from the 2nd day of November to the 4th day of November, both inclusive, in the year 1964.

3. Clause *c* of section 4 of Ontario Regulation 189/63 is revoked and the following substituted therefor:

- (c) paragraphs 2 and 3 of Schedule 8 from the 19th day of October to the 31st day of October, both inclusive, in the year 1964;

4. Clause *d* of section 6 of Ontario Regulation 189/63, as made by section 4 of Ontario Regulation 299/63, is revoked and the following substituted therefor:

- (d) paragraphs 1 and 2 of Schedule 8; and

5. Paragraph 2 of Schedule 8 to Ontario Regulation 189/63 is revoked and the following substituted therefor:

2. The Township of St. Edmunds in the County of Bruce.

6. Schedule 15 to Ontario Regulation 189/63 is revoked and the following substituted therefor:

Schedule 15

1. Part of the Territorial District of Nipissing, described as follows:

- (a) Beginning at the intersection of the northerly limit of the right of way of that part of the King's Highway known as No. 17 with the southerly boundary of the geographic Township of Widdifield; thence easterly along the said highway limit to the intersection with the centre line of the Canadian Pacific Railway in the Town of Mattawa; thence northerly along the said centre line to the water's edge along the westerly bank of the Ottawa River; thence northerly along the said water's edge to the confluence with the centre line of the Mattawa River; thence westerly along the centre line of the Mattawa River and the connecting lakes, namely Lake Talon, Tilliard Lake, Bigfish Lake, Whitethroat Lake, Moosegrass Lake, Werwolf Lake, Turtle Lake, Trout Lake and the connecting water courses to the intersection with the easterly produc-

tion of the southerly boundary of the geographic Township of Widdifield with the centre line of Trout Lake; thence southwesterly along the said production and southerly boundary of the geographic Township of Widdifield to the place of beginning.

- (b) Beginning at the intersection of the southerly boundary of the geographic Township of Widdifield with the southerly limit of the right of way of that part of the King's Highway known as No. 17; thence southwesterly along the said southerly boundary of the geographic Township of Widdifield to the water's edge of Lake Nipissing; thence southerly along the said water's edge to the southerly boundary of the Territorial District of Nipissing; thence westerly along that boundary to the southwest corner of the geographic Township of Falconer; thence northerly along the west boundary of the Territorial District of Nipissing to the intersection with the southerly limit of the right of way of that part of the King's Highway known as No. 17; thence southeasterly along the said highway limit to the place of beginning.

2. That part of the Territorial District of Sudbury lying south of that part of the King's Highway known as No. 17.

3. That part of the Territorial District of Algoma lying south and southeast of that part of the King's Highway known as No. 17 between the west boundary of the geographic Township of Spragge and the easterly boundary of the said territorial district.

4. The Territorial District of Manitoulin, saving and excepting therefrom the Island of Manitoulin.

7. Schedule 16 to Ontario Regulation 189/63, as made by section 5 of Ontario Regulation 299/63, is amended by adding thereto the following paragraph:

4. The Township of Orillia in the County of Simcoe.

(1089)

33



Publications Under The Regulations Act

August 22nd, 1964

THE PUBLIC SERVICE ACT, 1961-62

O. Reg. 207/64.

General.

Made—August 4th, 1964.

Approved—August 6th, 1964.

Filed—August 7th, 1964.

REGULATION MADE UNDER THE PUBLIC SERVICE ACT, 1961-62

1. Subsection 3 of section 16 of Ontario Regulation 190/62 is revoked.

2. Ontario Regulation 190/62 is amended by adding thereto the following sections:

16a.—(1) In this section, "course" means a course of training or education that is not conducted by a department or the Commission and that in the opinion of the deputy minister of a department is necessary for the effective performance of the duties of a civil servant in the department.

(2) The deputy minister of a department may grant a civil servant in his department a leave of absence with pay for a period not exceeding twelve months for the purpose of attending a course and may authorize the payment of one-half of the cost of books but not exceeding \$50, and the payment of the cost of tuition and travelling and living expenses but,

(a) where the leave exceeds twenty days or the total cost exceeds \$400, the deputy minister's grant or authorization is subject to the approval of the Commission; and

(b) where the leave exceeds six months, the deputy minister's grant is subject to the approval of the Lieutenant Governor in Council.

(3) A civil servant attending a course under this section shall,

(a) submit regular personal attendance reports;

(b) be entitled to full attendance and vacation credits while attending the course;

(c) not accept a bursary or scholarship in respect of the course; and

(d) not enter into any other employment during the regular working hours prescribed in section 5.

16b.—(1) In this section, "course" means a course of training or education that is not conducted by a department or the Commission and that, in the opinion of the deputy minister of a department, although not essential for the effective performance of the duties of a civil servant, will provide skill or knowledge of value to the department.

(2) The deputy minister may grant leave of absence without pay or accumulation of credits for a period not exceeding one year to a civil servant for the purpose of attending a course that requires his presence during regular working hours for a period longer than six weeks.

(3) A leave of absence granted under subsection 2 is subject to the certificate of the Commission and also subject to the approval of the Lieutenant Governor in Council where the leave exceeds six months.

(4) Where a civil servant attending a course to which subsection 2 applies does not receive a bursary from the government of Canada under an arrangement with the government of Ontario, the Commission may authorize the payment of the fees of the course and the payment of a bursary for each full month's attendance at a course referred to in column 1 of the following Table of the amount set opposite thereto in column 2 of the Table where the civil servant is unmarried or in column 3 of the Table where the civil servant has a dependent wife or child.

TABLE
BURSARY SCHEDULE

COLUMN 1	COLUMN 2	COLUMN 3
	Single	with Dependents
Special studies.....	125	175
Studies beyond the level of a bachelor's degree in Ontario.....	150	200
Studies beyond the level of a master's degree in Ontario.....	200	250

(5) Where the amount of bursary under subsection 4, when added to any other scholarship or bursary received by the civil servant in respect of the course, exceeds the salary received by the civil servant immediately before his leave begins, the bursary under subsection 4 shall be reduced by the amount of the excess.

(6) Where a civil servant attends a course by night classes or by correspondence, the deputy minister may, upon the successful completion of the course, authorize the payment of,

(a) one-half the fee therefor; or

(b) where the course is approved by the Commission, the whole fee therefor,

or \$400, whichever is the lesser.

(7) Where a civil servant attends a course requiring his presence during regular working hours for a period of not longer than six weeks and his absence from employment for at least half the period of the course is charged to his accumulated vacation credits or overtime credits, the deputy minister may grant leave of absence with pay for the remainder of the course and the deputy minister may, upon the successful completion of the course, authorize the payment of one-half the fee therefor or \$400, whichever is the lesser.

16c.—(1) The deputy minister of a department may grant a civil servant in the department a leave of absence without pay or accumulation of credits for a period not exceeding one year for the purpose of attending a course to which section 16a or 16b does not apply, subject to the certificate of the Commission where the leave exceeds one month and also subject to the approval of the Lieutenant Governor in Council where the leave exceeds six months.

(2) A leave granted under subsection 1 is not renewable.

16d.—(1) Where a civil servant resigns from the service for the purpose of attending a course, the Commission, upon the application of the civil servant made before resigning and upon the recommendation of his deputy minister, may direct that his attendance credits and vacation credits continue to be held to his credit until the civil servant is re-employed or until two years elapse, whichever occurs first, and such credits shall not be used during the absence.

(2) For the purposes of the Act and the regulations, any leave of absence without pay granted a civil servant under section 16b or 16c or absence for a period not exceeding two years in respect of which a direction has been made under subsection 1 of this section shall not be computed in determining the length of his service and the service before and after the absence shall be deemed to be continuous.

(3) The deputy minister may grant to a civil servant who has attended a course under section 16a, 16b or 16c additional leave of absence with pay for a period not exceeding half a day at a time for the purpose of trying examinations relevant to the course.

(4) Any leave authorized to be granted under section 16a or 16b may, upon proof of satisfactory progress, be renewed in the same manner and subject to the same provisions and conditions as the original granting.

(5) Every deputy minister shall report annually to the Commission all leaves of absence exceeding seven calendar days or payments granted or authorized by him without the certificate of the Commission under section 16a, 16b or 16c or this section.

CIVIL SERVICE COMMISSION:

D. J. COLLINS

Dated at Toronto, this 4th day of August, 1964.

(1090)

34

THE NURSES ACT, 1961-62

O. Reg. 208/64.

General.

Made—July 16th, 1964.

Approved—August 6th, 1964.

Filed—August 11th, 1964.

REGULATION MADE UNDER THE NURSES ACT, 1961-62

1. Subsection 1 of section 18 of Ontario Regulation 342/62 is revoked and the following substituted therefor:

18.—(1) The examination fee for an applicant for registration as a nurse is \$5 for each examination paper written by the applicant.

2—(1) Subsection 1 of section 20 of Ontario Regulation 342/62 is amended by striking out "five" in the first line and inserting in lieu thereof "seven".

(2) Subsection 3 of the said section 20 is amended by striking out "Council" in the first line and inserting in lieu thereof "committee".

(3) The said section 20 is amended by adding thereto the following subsection:

(4) Five members of the committee constitute a quorum.

THE COUNCIL OF THE COLLEGE
OF NURSES OF ONTARIO:

HELEN G. McARTHUR,
President.

JEAN C. WATT,
Director.

Dated at Toronto, this 16th day of July, 1964.

(1092)

34

THE PLANNING ACT

O. Reg. 209/64.

Restricted Areas—Districts of Cochrane,
Sudbury and Timiskaming.

Made—August 6th, 1964.

Filed—August 11th, 1964.

ORDER MADE UNDER THE PLANNING ACT

RESTRICTED AREAS — DISTRICTS OF COCHRANE, SUDBURY AND TIMISKAMING

1. All lands in the territorial districts of Cochrane, Sudbury and Timiskaming described in the Schedule are designated as areas of subdivision control under clause b of subsection 1 of section 27 of the Act.

J. W. SPOONER,
Minister of Municipal Affairs.

Dated at Toronto, this 6th day of August, 1964.

Schedule

1. In the Territorial District of Cochrane, and being composed of the following geographic townships:

Aitken	Griffin	Nova
Aubin	Hanna	Ogden
Aurora	Hicks	Oke
Beck	Hoyle	Ossin
Belford	Jamieson	Ottaway
Bristol	Jessop	Poulett
Brower	Kidd	Prosser
Byers	Kingsmill	Pyne
Carman	Kirkland	Reaume
Carnegie	Laidlaw	Reid
Carscallen	Lamarche	Robb
Cody	Lennox	St. John
Côté	Lisgar	Seaton
Crawford	Little	Shaw
Dargavel	Loveland	Sheraton
Deloro	Lucas	Slack
Duff	Mabee	Strachan
Enid	Macdiarmid	Stringer
Evelyn	Macklem	Thomas
Fenton	Mahaffy	Thorburn
Ford	Mann	Tully
Fortune	Massey	Turnbull
Fournier	Matheson	Wadsworth
Fox	Moberly	Wark
Geary	Montcalm	Watson
German	Murphy	Whitesides
Godfrey	Nesbitt	Wilhelmina
Gowan	Newmarket	

2. In the Territorial District of Sudbury, and being composed of the following geographic townships:

Foleyet	Kenogaming	Oswald
Frey	Melrose	Penhorwood
Ivanhoe	Muskego	Reeves
Keith	Oates	Sewell

3. In the Territorial District of Timiskaming, and being composed of the following geographic townships:

Adams	Fallon	McNeil
Bartlett	Fasken	Michie
Blackstock	Fripp	Musgrove
Childerhose	Geikie	Pharand
Cleaver	Hillary	Price
Denton	Keefer	Reynolds
Douglas	Langmuir	Robertson
Doyle	McArthur	Thorneloe
Eldorado	McKeown	Timmins

(1101)

34

THE INDUSTRIAL STANDARDS ACT

O. Reg. 210/64.

Schedule—Barbering Industry (Fort William-Port Arthur).

Made—May 22nd, 1964.

Approved—August 6th, 1964.

Filed—August 11th, 1964.

ORDER MADE UNDER THE INDUSTRIAL STANDARDS ACT

1. Section 3 of the Schedule to Regulation 271 of Revised Regulations of Ontario, 1960 is amended by striking out "New Year's Day, Good Friday, or" in the third and fourth lines.

2. This Order comes into force on the tenth day after the publication thereof in *The Ontario Gazette* under *The Regulations Act*.

Dated at Toronto, this 22nd day of May, 1964.

We concur,
THE ADVISORY COMMITTEE,
THE BARBERING INDUSTRY—
FORT WILLIAM-
PORT ARTHUR ZONE:

INDUSTRY AND
LABOUR BOARD:

NILS JOHNSON
N. CHAMBERS
T. LAKE
STANLEY STOLZ
J. J. STEFISZYN.

E. G. GIBB,
Chairman.
J. F. NUTLAND,
Member.
H. G. PIERCY,
Member.

(1102)

34

THE FARM PRODUCTS MARKETING ACT

O. Reg. 211/64.

Apples—Marketing.

Made—July 27th, 1964.

Filed—August 11th, 1964.

REGULATION MADE UNDER THE FARM PRODUCTS MARKETING ACT

APPLES—MARKETING

1. In this Regulation,

- (a) "apples" means apples of every variety produced in Ontario;
- (b) "Association" means The Ontario Fruit and Vegetable Growers' Association incorporated under *The Agricultural Associations Act*;
- (c) "buyer" means a person, other than a processor, who buys apples from a producer in the ordinary course of his business;
- (d) "processor" means a person engaged in the processing of apples or the production of juice from apples;
- (e) "processing" means baking, canning, dehydrating, drying, freezing, slicing or processing with sugar or sulphur dioxide or any other chemical;
- (f) "producer" means a producer of apples in Ontario.

2.—(1) Every producer shall furnish to the Association a quarterly report in Form 1,

- (a) in respect of apples sold on or after the 15th day of July but before the 1st day of November, not later than the 15th day of November next following;
- (b) in respect of apples sold on or after the 1st day of November but before the 1st day of February, not later than the 15th day of February next following;
- (c) in respect of apples sold on or after the 1st day of February but before the 1st day of May, not later than the 15th day of May next following; and
- (d) in respect of apples sold on or after the 1st day of May but before the 15th day of July, not later than the 15th day of August next following.

(2) A quarterly report in Form 1 shall accompany the quarterly payment of licence fees by a producer under section 6 of Ontario Regulation 189/64.

3. Every buyer or processor shall furnish to the Association a quarterly report in Form 2,

- (a) in respect of apples purchased on or after the 15th day of July but before the 1st day of November, not later than the 15th day of November next following;
- (b) in respect of apples purchased on or after the 1st day of November but before the 1st day of February, not later than the 15th day of February next following;
- (c) in respect of apples purchased on or after the 1st day of February but before the 1st day of May, not later than the 15th day of May next following; and
- (d) in respect of apples purchased on or after the 1st day of May but before the 15th day of July, not later than the 15th day of August next following.

THE FARM PRODUCTS MARKETING BOARD:

G. A. McCAGUE,
Chairman.

J. W. DRENNAN,
Secretary.

Dated at Toronto, this 27th day of July, 1964.

Form 1

The Farm Products Marketing Act

PRODUCER'S QUARTERLY REPORT

For the Period July 15, 19.... to Oct. 31, 19.... ()

Nov. 1, 19.... to Jan. 31, 19.... ()

Feb. 1, 19.... to April 30, 19.... ()

May 1, 19.... to July 14, 19.... ()

Name and Address of Producer.....

Name and Address of Orchard.....

1. SALES

Apples sold for:	Name and Address of Buyer	No. of Pounds	Amount of Licence Fees
(a) *Processing.....	\$.....
	\$.....
	\$.....
Total	\$.....
(b) *Production of Juice.....	\$.....
	\$.....
	\$.....
Total	\$.....
(c) *Any purpose other than a purpose mentioned in (a) or (b)..	\$.....
	\$.....
	\$.....
Total	\$.....
TOTAL NO. POUNDS SOLD	
TOTAL AMOUNT OF LICENCE FEES			\$.....

(*Licence fees are payable as follows:

1. 4 cents for each 100 lbs. or fraction thereof for apples sold for processing.
2. 2 cents for each 100 lbs. or fraction thereof for apples sold for the production of juice.
3. 3 cents for each 40 lbs. or fraction thereof for apples sold for any purpose other than a purpose mentioned in 1 or 2.)

2. REMITTANCE INFORMATION

A. Licence Fees

- (1) Amount of licence fees for current period (enter total from section 1)..... \$.....
- (2) Amount, if any, outstanding from period ending October 31st last..... \$.....
(to be completed only in the report for the period November 1 to January 31)

Total \$

B. *Payment*

- (1) Amount of licence fees which I elect to pay not later than February 15th next..... \$.....
(to be completed only in the report for the period July 15 to October 31)
- (2) Amount of licence fees paid herewith..... \$.....
- (3) Amount of licence fees to be paid on my behalf by persons named hereunder:

Name and Address	Amount
.....	\$.....
.....	\$.....
.....	\$.....
Total	\$.....
TOTAL	\$ <u> </u>

3. APPLES UNSOLD AT END OF CURRENT PERIOD

	No. of UNITS		
	(unit used should have a weight of approx. 40 lbs.)		
A. Apples Stored,	Common	Cold	Controlled Atmosphere
(a) On own premises.....
(b) Elsewhere,			
Name and Address of Storage			
.....
.....
.....
Total	<u> </u>	<u> </u>	<u> </u>
Total Amount of Apples Unsold:			

4. This report has been prepared by me or under my instructions and I hereby certify that the information contained therein is true to the best of my knowledge.

Dated at....., this.....day of....., 19.....

.....
(signature)

Telephone Number

NOTE: This report shall accompany the quarterly payment of licence fees under section 6 of Ontario Regulation 189/64 and shall be forwarded to The Ontario Fruit and Vegetable Growers' Association, Room 303, Ontario Food Terminal, 165 The Queensway, Toronto 18, Ontario.

Form 2

The Farm Products Marketing Act

BUYER'S OR PROCESSOR'S QUARTERLY REPORT

For the Period July 15, 19... to Oct. 31, 19... ()

Nov. 1, 19... to Jan. 31, 19... ()

Feb. 1, 19... to April 30, 19... ()

May 1, 19... to July 14, 19... ()

Name and Address of *Buyer.....

*Processor.....

*Strike out word not applicable.

1. List of producers from whom apples purchased during current period:

NUMBER OF POUNDS OF APPLES PURCHASED FOR:

Name and Address	Processing	Production of Juice	Other Purposes
.....
.....
.....
Total

2. This report has been prepared by me or under my instructions and I hereby certify that the information contained therein is true to the best of my knowledge.

Dated at, this.....day of, 19.....

(signature)

Telephone Number

NOTE : This report shall be forwarded to The Ontario Fruit and Vegetable Growers' Association, Room 303, Ontario Food Terminal, 165 The Queensway, Toronto 18, Ontario.

THE FARM PRODUCTS MARKETING ACT

O. Reg. 212/64.
Beans—Marketing.
Made—August 12th, 1964.
Filed—August 13th, 1964.

REGULATION MADE UNDER
THE FARM PRODUCTS MARKETING ACT

1. Subsection 1 of section 7 of Regulation 149 of Revised Regulations of Ontario, 1960, is amended by striking out "eight" in the second line and inserting in lieu thereof "six".

2. Subsection 2 of section 7a of Regulation 149 of Revised Regulations of Ontario, 1960, as made by section 2 of Ontario Regulation 219/62, is amended by striking out "eight" in the third line and inserting in lieu thereof "six".

THE FARM PRODUCTS MARKETING BOARD:

G. A. McCAGUE,
Chairman.

J. W. DRENNAN,
Secretary.

Dated at Toronto, this 12th day of August, 1964.

(1114)

34

THE FARM PRODUCTS MARKETING ACT

O. Reg. 213/64.
Grapes for Processing—Marketing.
Made—August 10th, 1964.
Filed—August 13th, 1964.

REGULATION MADE UNDER
THE FARM PRODUCTS MARKETING ACT

1. Clause b of section 1 of Regulation 160 of Revised Regulations of Ontario, 1960, as re-made by section 1 of Ontario Regulation 239/63, is revoked and the following substituted therefor:

(b) "grapes" means grapes produced in Ontario, other than grapes produced for any purpose different from processing;

2. Clause l of section 9a of Regulation 160 of Revised Regulations of Ontario, 1960, as made by section 5 of Ontario Regulation 239/63, is revoked and the following substituted therefor:

(l) requiring any person who produces grapes to offer to sell and to sell grapes through the local board;

THE FARM PRODUCTS MARKETING BOARD:

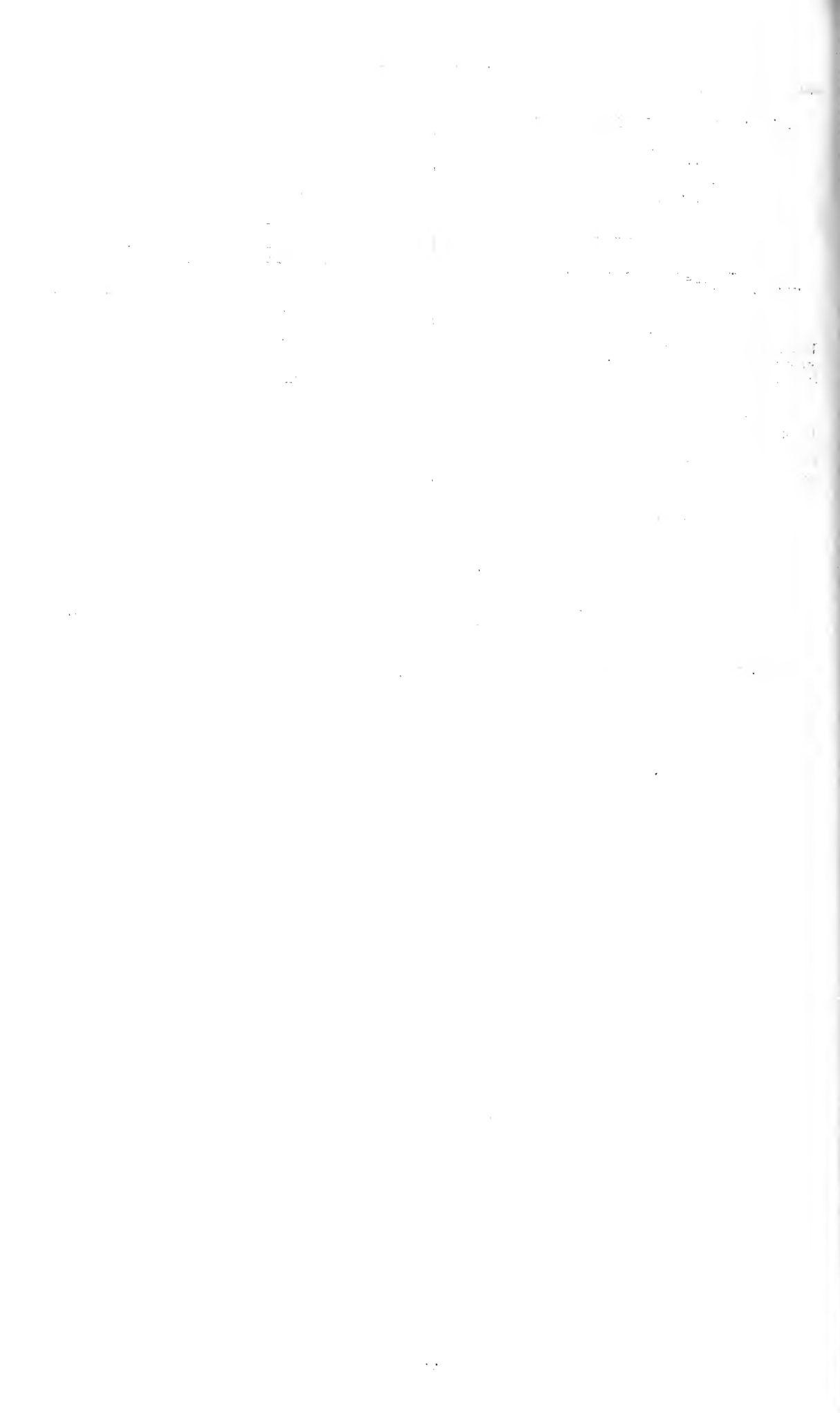
G. A. McCAGUE,
Chairman.

J. W. DRENNAN,
Secretary.

Dated at Toronto, this 10th day of August, 1964.

(1115)

34



Publications Under The Regulations Act

August 29th, 1964

THE INDUSTRIAL STANDARDS ACT

O. Reg. 214/64.
Designations—Industries and Zones.
Made—August 12th, 1964.
Filed—August 14th, 1964.

REGULATION MADE UNDER THE INDUSTRIAL STANDARDS ACT

1. Paragraph 65 of Appendix C of Regulation 244 of Revised Regulations of Ontario, 1960 is revoked and the following substituted therefor:

STRATFORD ZONE

65. The City of Stratford.

H. L. ROWNTREE,
Minister of Labour.

Dated at Toronto, this 12th day of August, 1964.

(1118)

35

THE INDUSTRIAL STANDARDS ACT

O. Reg. 215/64.
Designations—Industries and Zones.
Made—August 12th, 1964.
Filed—August 14th, 1964.

REGULATION MADE UNDER THE INDUSTRIAL STANDARDS ACT

1. Paragraph 11 of Appendix A of Regulation 244 of Revised Regulations of Ontario, 1960 is revoked and the following substituted therefor:

KINGSTON ZONE

11. The City of Kingston and the suburban area adjacent thereto and lying within a line drawn as follows: Beginning at the intersection of the westerly limit of Lot 35 in Concession I in the Township of Ernestown in the County of Lennox and Addington with the northerly bank of the St. Lawrence River; thence northerly along the westerly limit of the said Lot 35 through each of concessions I and II to the northerly limit of Concession II; thence easterly along that northerly limit to the easterly limit of the road allowance between the counties of Lennox and Addington and Frontenac; thence northerly along the easterly limit of that road allowance to the northerly limit of Concession IV in the Township of Kingston in the County of Frontenac; thence easterly along the northerly limit of that Concession to the easterly limit of County Suburban Road No. 11; thence northerly along the easterly limit of that County Suburban Road to the southeasterly limit of a public road running in a general northeasterly direction through lots 33 to 39, both inclusive, in Concession V; thence in a general north-easterly direction along the southeasterly limit of that public road to the line between lots 39 and 40 in Concession V; thence northerly along that line to the southerly

limit of the road allowance between concessions V and VI; thence easterly along the southerly limit of that road allowance and its production easterly to the easterly bank of the Rideau Canal; thence in a general north-easterly direction following the windings and turnings of that easterly bank to the northerly limit of Concession VI in the Township of Pittsburgh; thence easterly along the northerly limit of that Concession to the westerly limit of Lot 25 in Concession VI; thence southerly along the westerly limit of the said Lot 25 through each of concessions VI, V, IV, III and II to the northerly bank of the St. Lawrence River; thence in a general westerly direction following the windings and turnings of the northerly bank of that river to the place of beginning.

H. L. ROWNTREE,
Minister of Labour.

Dated at Toronto, this 12th day of August, 1964.

(1119)

35

THE HIGHWAY TRAFFIC ACT

O. Reg. 216/64.
Speed Limits.
Made—August 13th, 1964.
Filed—August 14th, 1964.

REGULATION MADE UNDER THE HIGHWAY TRAFFIC ACT

1.—(1) Paragraph 18 of Part 1 of Schedule 9 to Regulation 232 of Revised Regulations of Ontario, 1960, as made by subsection 4 of section 3 of Ontario Regulation 15/62, is revoked.

(2) Part 1 of the said Schedule 9, as amended by Ontario Regulations 184/61, 330/61, 15/62, 128/62 and 303/62, is further amended by adding thereto the following paragraphs:

23. That part of the King's Highway known as No. 7 in the County of Peterborough lying between a point situate 600 feet measured easterly from its intersection with the easterly limit of the road allowance between concessions 7 and 8 in the Township of Asphodel and a point situate at its intersection with the southerly junction of the King's Highway known as No. 28 in the Township of North Monaghan.

24. That part of the King's Highway known as No. 7 lying between a point situate at its intersection with the northerly junction of the King's Highway known as No. 28 in the Township of North Monaghan in the County of Peterborough and in the Township of Cavan in the County of Durham and a point situate 450 feet measured easterly from its intersection with the line between lots 8 and 9 in Concession 4 in the Township of Emily in the County of Victoria.

(3) Part 2 of the said Schedule 9, as amended by subsection 3 of section 5 of Ontario Regulation 184/61, is further amended by adding thereto the following paragraph:

4. That part of the King's Highway known as No. 7 and 28 in the Township of Peterborough and Durham—
Peterborough and Durham—
Twps. of North Monaghan and Cavan
- as No. 7 and 28 in the Township of Peterborough and in the Township of Cavan in the County of Durham lying between the southerly junction of the King's Highway known as No. 7 and the King's Highway known as No. 28 and the northerly junction of the King's Highway known as No. 7 and the King's Highway known as No. 28.

2.—(1) Paragraph 1 of Part 1 of Schedule 28 to Regulation 232 of Revised Regulations of Ontario, 1960 is revoked.

(2) Part 2 of the said Schedule 28, as amended by subsection 1 of section 4 of Ontario Regulation 197/62, is further amended by adding thereto the following paragraphs:

2. That part of the King's Highway known as No. 28 lying between a point situate 1800 feet measured northerly from its intersection with the line between lots 3 and 4 in Concession 2 in the Township of Hope in the County of Durham and a point situate 500 feet measured northerly from its intersection with the northerly limit of the road allowance between concessions 7 and 8 in the Township of Hamilton in the County of Northumberland—
Durham and Northumberland—
Twps. of Hope and Hamilton

3. That part of the King's Highway known as No. 28 in the townships of Hamilton and South Monaghan in the County of Northumberland and in the townships of Hope and Cavan in the County of Durham lying between a point situate at its intersection with the southerly limit of the road allowance between concessions 8 and 9 in the said Township of Hamilton and a point situate 800 feet measured southerly from its intersection with the southerly limit of the road allowance between concessions A and 1 in the said Township of South Monaghan.
Northumberland and Durham—
Twps. of Hamilton, South Monaghan, Hope and Cavan

4. That part of the King's Highway known as No. 28 in the Township of South Monaghan in the County of Northumberland and in the Township of Cavan in the County of Durham lying between a point situate 1650 feet measured northerly from its intersection with the southerly limit of the road allowance between concessions A and 1 in the said Township of South Monaghan and a point situate 400 feet measured southerly from its intersection with the southerly limit of the road allowance between concessions 2 and 3 in the said Township of South Monaghan.
Northumberland and Durham—
Twps. of South Monaghan and Cavan

5. That part of the King's Highway known as No. 28 in the Township of South Monaghan in the County of Northumberland, in the Township of North Monaghan in the County of Peterborough and in the Township of Cavan in the County of Durham lying between a point situate 700 feet measured northerly from its intersection with the southerly limit of the road allowance between concessions 2 and 3 in the said Township of South
Northumberland, Peterborough and Durham—
Twps. of South and North Monaghan and Cavan

Monaghan and a point situate at its intersection with the King's Highway known as No. 7 in the said Township of North Monaghan.

6. That part of the King's Highway known as No. 7 and 28 in the Township of Peterborough and Durham—
Peterborough and Durham—
Twps. of North Monaghan and Cavan
- as No. 7 and 28 in the Township of Peterborough and in the Township of Cavan in the County of Durham lying between the southerly junction of the King's Highway known as No. 7 and the King's Highway known as No. 28 and the northerly junction of the King's Highway known as No. 7 and the King's Highway known as No. 28.

7. That part of the King's Highway known as No. 28 in the Township of Smith in the County of Peterborough lying between a point situate 1600 feet measured northerly from its intersection with the line between the townships of Smith and Douro and a point situate 50 feet measured southerly from its intersection with the southerly abutment of the bridge over the Burleigh River.
Peterborough—
Twp. of Smith

(3) Part 3 of the said Schedule 28 is amended by adding thereto the following paragraphs:

3. That part of the King's Highway known as No. 28 in the Township of Hamilton in the County of Northumberland lying between a point situate 500 feet measured northerly from its intersection with the northerly limit of the road allowance between concessions 7 and 8 and a point situate 200 feet measured southerly from its intersection with the northerly limit of the roadway known as Rice Lake South Shore Road in the said Concession 8.
Northumberland—
Twp. of Hamilton

4. That part of the King's Highway known as No. 28 in the Township of Hamilton in the County of Northumberland lying between a point situate 112 feet measured northerly from its intersection with the centre of the road allowance between lots 34 and 35 in Concession 8 and a point situate at its intersection with the southerly limit of the road allowance between concessions 8 and 9.
Northumberland—
Twp. of Hamilton

5. That part of the King's Highway known as No. 28 in the Township of South Monaghan in the County of Northumberland and in the Township of Cavan in the County of Durham commencing at a point situate 400 feet measured southerly from its intersection with the southerly limit of the road allowance between concessions 2 and 3 in the said Township of South Monaghan and extending northerly therealong for a distance of 1100 feet more or less.
Northumberland and Durham—
Twps. of South Monaghan and Cavan

(4) Part 6 of the said Schedule 28 is revoked and the following substituted therefor:

1. That part of the King's Highway known as No. 28 in the Township of Hamilton in the County of Northumberland commencing at a point situate 200 feet measured southerly from its intersection with the northerly limit of the roadway known as Rice Lake South Shore Road and extending northerly therealong for a distance of 764 feet more or less.
Northumberland—
Twp. of Hamilton

2. That part of the King's Highway known as No. 28 in the Township of South Monaghan in the County of Northumberland and in the Township of Cavan in the County of Durham commencing at a point situate 800 feet measured southerly from its intersection with the southerly limit of the road allowance between concessions A and 1 in the said Township of South Monaghan and extending northerly therealong for a distance of 2450 feet more or less.

3. Part 6 of Schedule 30a to Regulation 232 of Revised Regulations of Ontario, 1960, as made by section 15 of Ontario Regulation 184/61, is amended by adding thereto the following paragraph:

2. That part of the King's Highway known as No. 33 in the Township of Kingston in the County of Frontenac lying between a point situate 600 feet measured westerly from its intersection with the line between line between lots 2 and 3 in Concession 2 and a point situate 670 feet measured westerly from its intersection with the centre line of the road allowance between Lot 1 and the Miles Square Block in the said Concession 2.

4.—(1) Part 1 of Schedule 42 to Regulation 232 of Revised Regulations of Ontario, 1960, as remade by subsection 1 of section 7 of Ontario Regulation 158/62, is amended by adding thereto the following paragraphs:

4. That part of the King's Highway known as No. 59 in the County of Norfolk lying between a point situate at its intersection with the southerly limit of the King's Highway known as No. 3 in the Township of Middleton and a point situate 1500 feet measured northerly from its intersection with the southerly limit of the roadway known as William Street in the locality of Langton in the Township of North Walsingham.

5. That part of the King's Highway known as No. 59 in the County of Norfolk lying between a point situate 100 feet measured southerly from its intersection with the southerly limit of the roadway known as South Street in the locality of Langton in the Township of North Walsingham and a point situate 850 feet measured northerly from its intersection with the centre line of the roadway known as Milne Street in the locality of Walsingham in the Township of South Walsingham.

6. That part of the King's Highway known as No. 59 in the Township of South Walsingham in the County of Norfolk lying between a point situate 600 feet measured southerly from its intersection with the centre line of the roadway known as Morgan Street in the locality of Walsingham and a point situate 500 feet measured northerly from its intersection with the centre line of the roadway known as County Road No. 22.

(2) Part 3 of the said Schedule 42, as remade by subsection 2 of section 7 of Ontario Regulation 158/62, is amended by adding thereto the following paragraphs:

2. That part of the King's Highway known as No. 59 in the Township of North Walsingham in the County of Norfolk commencing at a point situate at its intersection with the southerly limit of the

roadway known as William Street in the locality of Langton and extending northerly therealong for a distance of 1500 feet more or less.

3. That part of the King's Highway known as No. 59 in the Township of South Walsingham in the County of Norfolk lying between a point situate 500 feet measured northerly from its intersection with the centre line of the roadway known as County Road No. 22 and a point situate 1900 feet measured northerly from its intersection with the centre line of the roadway known as First Avenue in the locality of Long Point.

(3) Part 4 of the said Schedule 42, as amended by subsection 3 of section 7 of Ontario Regulation 158/62, is further amended by adding thereto the following paragraph:

5. That part of the King's Highway known as No. 59 in the Township of South Walsingham in the County of Norfolk lying between a point situate 850 feet measured northerly from its intersection with the centre line of the roadway known as Milne Street in the locality of Walsingham and a point situate 600 feet measured southerly from its intersection with the centre line of the roadway known as Morgan Street.

(4) Part 6 of the said Schedule 42 is revoked and the following substituted therefor:

Part 6

1. That part of the King's Highway known as No. 59 in the Township of North Walsingham in the County of Norfolk lying between a point situate at its intersection with the southerly limit of the roadway known as William Street in the locality of Langton and a point situate 100 feet measured southerly from its intersection with the southerly limit of the roadway known as South Street.

2. That part of the King's Highway known as No. 59 in the Township of South Walsingham in the County of Norfolk commencing at a point situate 1900 feet measured northerly from its intersection with the centre line of the roadway known as First Avenue in the locality of Long Point and extending southerly therealong to the southerly limit of the said highway.

(1120)

35

THE HIGHWAY IMPROVEMENT ACT

O. Reg. 217/64.

Designations—Miscellaneous Southern Ontario.

Made—August 13th, 1964.

Filed—August 19th, 1964.

REGULATION MADE UNDER THE HIGHWAY IMPROVEMENT ACT

1. Schedule 113 to Regulation 213 of Revised Regulations of Ontario, 1960, as made by section 1 of Ontario Regulation 174/63, is revoked and the following substituted therefor:

Schedule 113

In the Township of Thorold and in that part of the City of Welland, formerly in the Township of Thorold, in the County of Welland being,

- (a) part of lots 23, 24, 37, 55, 78, 79, 80, 102, 103, 104, 105, 106, 129, 152, 153, 159, 160, 164, 165, 169, 170, 174, 228, 233, 234 and 243; and
- (b) part of the road allowance between,
- (i) the townships of Thorold and Grantham (St. Davids Road),
 - (ii) lots 23 and 24,
 - (iii) lots 24 and 37,
 - (iv) lots 37 and 55 (Holland Road),
 - (v) lots 55 and 78,
 - (vi) lots 79 and 80 (Hansler Road),
 - (vii) lots 79 and 102,
 - (viii) lots 80 and 103,
 - (ix) lots 102 and 103 (Hansler Road),
 - (x) lots 104 and 105 (County Road No. 14),
 - (xi) lots 106 and 129 (Holland Road),
 - (xii) lots 129 and 152 (Barron Road),
 - (xiii) lots 152 and 153 (Cataract Road),
 - (xiv) lots 153 and 159,
 - (xv) lots 160 and 165,
 - (xvi) lots 159 and 164,
 - (xvii) lots 165 and 170 (County Road No. 19),
 - (xviii) lots 164 and 169 (County Road No. 19),
 - (xix) lots 170 and 174,
 - (xx) lots 169 and 228,
 - (xxi) lots 174 and 234 (Quaker Road),
 - (xxii) lots 228 and 233 (Quaker Road), and
 - (xxiii) lots 234 and 243 (Woodlawn Road),

and being that portion of the King's Highway shown outlined on Department of Highways plan P-5045-2 registered in the Registry Office for the registry division of the County of Welland as No. 11179-B for the Township of Thorold and the City of Welland.

8.83 miles, more or less.

(1129)

35

THE MINIMUM WAGE ACT

O. Reg. 218/64.

Hotel and Restaurant Workers in Northern Ontario Zone.

Made—August 17th, 1964.

Filed—August 20th, 1964.

ORDER MADE UNDER THE MINIMUM WAGE ACT

1. Clauses *a* and *b* of subsection 2 of section 2 of Ontario Regulation 101/64 are revoked and the following substituted therefor:

- (a) 85 cents for work performed in the period from the 29th day of June, 1964 to the 28th day of December, 1964; and
- (b) 90 cents for work performed in the period from the 29th day of December, 1964 to the 26th day of December, 1965.

INDUSTRY AND LABOUR BOARD :

E. G. GIBB,
Chairman.

J. F. NUTLAND,
Member.

H. G. PIERCY,
Member.

Dated at Toronto, this 17th day of August, 1964.

(1140)

35

Publications Under The Regulations Act

September 5th, 1964

THE HOMES FOR THE AGED ACT

O. Reg. 219/64.

General.

Made—August 20th, 1964.

Filed—August 24th, 1964.

REGULATION MADE UNDER THE HOMES FOR THE AGED ACT

1.—(1) Paragraph 1 of section 35a of Regulation 237 of Revised Regulations of Ontario, 1960, as made by section 2 of Ontario Regulation 231/63, is amended by striking out "McMurrich" in the eighth line.

(2) Paragraph 2 of the said section 35a is amended by inserting after "McKenzie" in the eighth and ninth lines, "McMurrich".

(1141)

36

THE INDUSTRIAL STANDARDS ACT

O. Reg. 220/64.

Revocations.

Made—August 20th, 1964.

Filed—August 24th, 1964.

REGULATION MADE UNDER THE INDUSTRIAL STANDARDS ACT

1. Regulations 334, 347, 384, 385, 386 and 387 of Revised Regulations of Ontario, 1960 are revoked.

H. L. ROWNTREE,
Minister of Labour.

Dated at Toronto, this 12th day of August, 1964.

(1142)

36

THE PUBLIC HEALTH ACT

O. Reg. 221/64.

Health Units—General.

Made—July 23rd, 1964.

Approved—August 20th, 1964.

Filed—August 25th, 1964.

REGULATION MADE UNDER THE PUBLIC HEALTH ACT

1.—(1) Schedule 20 to Regulation 510 of Revised Regulations of Ontario 1960, as remade by section 1 of Ontario Regulation 305/63, is amended by striking out "seven" in the second line and inserting in lieu thereof "eight".

(2) The said Schedule 20 is further amended by adding thereto the following subparagraph:

viii. One member to be appointed by the Municipal Council of the Township of Scott.

2.—(1) Schedule 36 to Regulation 510 of Revised Regulations of Ontario, 1960, as remade by section 1 of Ontario Regulation 136/64, is amended by striking out "Metropolitan" in the heading and inserting in lieu thereof "Metro".

(2) Paragraph 1 of the said Schedule 36 is amended by striking out "Metropolitan" in the first line and inserting in lieu thereof "Metro".

M. B. DYMOND,
Minister of Health.

Dated at Toronto, this 23rd day of July, 1964.

(1149)

36

THE PUBLIC HEALTH ACT

O. Reg. 222/64.

Health Units—General.

Made—July 15th, 1964.

Approved—July 23rd, 1964.

Filed—August 26th, 1964.

REGULATION MADE UNDER THE PUBLIC HEALTH ACT

1. Schedule 7 to Regulation 510 of Revised Regulations of Ontario, 1960, as remade by section 1 of Ontario Regulation 305/63, is revoked and the following substituted therefor:

Schedule 7

CARLETON COUNTY HEALTH UNIT

1. The Board of Health of the Carleton County Health Unit shall consist of seven members as follows:

- i. One member to be appointed by the Lieutenant Governor in Council.
- ii. One member to be appointed by the Municipal Council of the Township of Goulbourn.
- iii. One member to be appointed by the Municipal Council of the Township of Gloucester.
- iv. One member to be appointed by the Municipal Council of the Township of Nepean.
- v. One member to be appointed by the Municipal Council of the Township of Osgoode.
- vi. One member to be appointed by the Municipal Council of the Township of North Gower.
- vii. One member to be appointed by the Municipal Council of the Township of Huntley.

2. A member appointed by a municipal council shall hold office during the pleasure of the municipal council that appointed him.

M. B. DYMOND,
Minister of Health.

Dated at Toronto, this 15th day of July, 1964.

(1150)

36

THE FARM PRODUCTS MARKETING ACT

O. Reg. 223/64.

Tobacco—Marketing.

Made—August 28th, 1964.

Filed—August 28th, 1964.

**REGULATION MADE UNDER
THE FARM PRODUCTS MARKETING ACT**

1. Regulation 173 of Revised Regulations of Ontario, 1960, as amended by Ontario Regulations 107/63, 108/63, 315/63 and 53/64, is further amended by adding thereto the following sections:

- 10.—(1) There shall be a negotiating agency to be known as "The Negotiating Committee for Tobacco" composed of such persons as are appointed annually after the 15th day of July and before the 1st day of October, as provided in subsections 2 and 3.
- (2) Every buyer licensed by the local board who operates a processing plant in Ontario may appoint one member to the negotiating agency and shall notify the Board and the local board in writing of his name and address not later than the 15th day of September in each year.
- (3) The local board shall appoint a number of members to the negotiating agency that is equal to the number of members of the negotiating agency appointed by the buyers under subsection 2 and shall notify the Board and the buyers who appointed members to the negotiating agency under subsection 2, of their names and addresses not later than the 1st day of October in each year.
- (4) Subject to subsection 5, the members of the negotiating agency appointed under subsections 2 and 3 are and remain members thereof until the 31st day of May of the year next following the year in which the members were appointed.

(5) Where a member of the negotiating agency appointed under subsections 2 and 3 dies or resigns or is unavailable to act before the expiration of his term of membership, the buyer or the local board, as the case may be, who appointed him shall appoint a person for the unexpired term of the member who died, resigned or was unavailable to act.

11. The Negotiating Committee for Tobacco is empowered to adopt or settle by agreement,
- (a) minimum prices for tobacco or for any class, variety or grade of tobacco;
- (b) terms, conditions and forms of agreements relating to the producing or marketing of tobacco; and
- (c) any charges, costs or expenses relating to the production or marketing of tobacco.
12. A meeting of a negotiating agency may be convened by a notice in writing given by the members of the negotiating agency appointed by the local board or appointed by the buyers to the other members of the negotiating agency at least seven days, but not later than ten days, before the date of the meeting, stating the time and the place of the meeting.

THE FARM PRODUCTS MARKETING BOARD:

G. A. McCAGUE,
Chairman.

SHAKIL AHMAD,
Acting Secretary.

Dated at Toronto, this 28th day of August, 1964.

(1162)

36

Publications Under The Regulations Act

September 12th, 1964

THE INDUSTRIAL STANDARDS ACT

O. Reg. 224/64.

Schedule—Plumbing and Heating Industry
(Ottawa).

Made—August 27th, 1964.

Filed—September 1st, 1964.

REGULATION MADE UNDER THE INDUSTRIAL STANDARDS ACT

1. The Schedule is in force during pleasure within the Ottawa Zone and is binding upon the employers and employees in the plumbing and heating industry.

2. Ontario Regulation 49/62 is revoked.

Schedule

INTERPRETATION

1. In this Schedule, "holiday" means,

- (a) Saturday;
- (b) Sunday;
- (c) New Year's Day;
- (d) Good Friday;
- (e) Victoria Day;
- (f) Dominion Day;
- (g) Ottawa Civic Holiday;
- (h) Labour Day;
- (i) Thanksgiving Day; and
- (j) Christmas Day.

HOURS OF WORK

2. The regular working periods for the industry are,

- (a) a regular working week consisting of not more than forty hours of work performed during the regular working days; and
- (b) a regular working day consisting of not more than eight hours of work performed on Monday, Tuesday, Wednesday, Thursday or Friday between 8 a.m. and,
 - (i) 5 p.m. where one hour is given for noon recess, or
 - (ii) 4.30 p.m. where one-half hour is given for noon recess.

MINIMUM RATES OF WAGES

3. The minimum rate of wages for work performed during a regular working day is \$3.10 an hour.

SHIFT WORK

4.—(1) Where an employee performs work in one of two or more regular shifts, the employee shall be deemed to be employed during a regular working day in respect of work that,

(a) is not in excess of eight hours in a period of twenty-four hours; or

(b) consists of the instruction of the employees of an on-coming shift.

(2) One of the shifts that begin in a period of twenty-four hours is a day shift and the rest are night shifts.

(3) An employee who works on a night shift is entitled, as a minimum, to wages for eight hours for work of seven hours.

OVERTIME WORK

5. Overtime work is work,

(a) that is not performed during a regular working day; or

(b) that is performed on a holiday.

6.—(1) Subject to subsection 2, no overtime work shall be performed in the industry without a permit from the advisory committee.

(2) Subsection 1 does not apply to overtime work performed on emergency repairs where life may be endangered or property damaged.

(3) The advisory committee is authorized to issue the permits subject to this Schedule.

RATES OF WAGES FOR OVERTIME WORK

7. The rate of wages for overtime work is,

(a) for overtime work performed during the one-hour period immediately following the working period of a regular working day to complete a repair job during that period, other than work performed in the construction of a new building, \$3.10 an hour;

(b) for overtime work performed on Monday, Tuesday, Wednesday, Thursday and Friday between the end of the regular working day and midnight, and on Saturday between 8 a.m. and midday, other than overtime work provided for in clause *a* and other work performed in the construction of a new building, \$4.65 an hour; and

(c) for overtime work performed in the construction of a new building and for all other overtime work, \$6.20 an hour.

RATES FOR HANDICAPPED

8. The advisory committee is authorized to fix a minimum rate of wages lower than the rate fixed by this Schedule for a person who is handicapped.

(1175)

37

THE INDUSTRIAL STANDARDS ACT

O. Reg. 225/64.

Designation of Industries and Zones.
Made—August 27th, 1964.
Filed—September 1st, 1964.

REGULATION MADE UNDER THE INDUSTRIAL STANDARDS ACT

1. Paragraph 3 of Appendix B to Regulation 244 of Revised Regulations of Ontario, 1960 is revoked and the following substituted therefor:

3. The Common Labourers Construction Industry is defined as all work done by common labourers in the construction, erection, repair, remodelling or alteration of the whole or a part of a building or structure other than a highway, sewer or watermain, but does not include maintenance repairs to the buildings and premises of a manufacturing, industrial or service institution or minor installations or alterations incidental to the maintenance of such buildings and premises where performed by the regular employees of the institution.

H. L. ROWNTREE,
Minister of Labour.

Dated at Toronto, this 25th day of August, 1964.

(1176)

37

THE INDUSTRIAL STANDARDS ACT

O. Reg. 226/64.

Schedule—Barbering Industry (Essex County).
Made—August 27th, 1964.
Filed—September 1st, 1964.

REGULATION MADE UNDER THE INDUSTRIAL STANDARDS ACT

1. The Schedule is in force during pleasure within the Essex County zone and is binding upon the employers and employees in the barbering industry.

2. Regulations 269 and 312 of Revised Regulations of Ontario, 1960 are revoked.

3. This Regulation comes into force on the tenth day after the publication thereof in *The Ontario Gazette* under *The Regulations Act*.

Schedule

INTERPRETATION

1. In this Schedule,

- (a) "Civic Holiday" means a holiday only for that part of the zone where it is so declared under a by-law of a municipality;
- (b) "holiday" means,
- (i) Sunday,
 - (ii) New Year's Day,
 - (iii) Good Friday,
 - (iv) Victoria Day,
 - (v) Dominion Day,

- (vi) Civic Holiday,
- (vii) Labour Day,
- (viii) Thanksgiving Day,
- (ix) Christmas Day, and
- (x) the 26th day of December;

(c) "week" means the period beginning with Sunday and ending with the Saturday next following, both inclusive.

HOURS OF WORK

2. No person shall perform work in the industry,
- (a) in that part of the zone that consists of the City of Windsor, the separated Town of Riverside and the townships of Sandwich East, Sandwich West and Sandwich South,
- (i) on a holiday,
 - (ii) on a Wednesday, or
 - (iii) before 8 a.m. or after 6 p.m. in a day; and
- (b) in that part of the zone not described in clause a,
- (i) on a holiday,
 - (ii) before 8 a.m. or after 6 p.m. in a day, except Friday,
 - (iii) before 8 a.m. or after 9 p.m. on Friday, or
 - (iv) on a day that the employer elects under section 4.

3. Notwithstanding section 2, work may be performed between 8 a.m. and 6 p.m. on Wednesday or the day elected under section 4 of,

- (a) a week where Christmas Day or New Year's Day falls on a day other than Sunday; or
- (b) the week of Good Friday;

if the Wednesday or the day elected under section 4 is not a holiday.

4.—(1) Subject to subsection 4, the employer shall elect either Monday, Wednesday or Thursday as a day during which work is not to be performed by his employees.

(2) The employer shall,

- (a) post conspicuously in a place where his employees are engaged in their duties; and
- (b) file with the advisory committee,

a notice setting out the day during which work is not to be performed by his employees.

(3) Where an employer changes his election, he shall give thirty days notice in writing to his employees and to the advisory committee of the new day elected.

(4) This section does not apply to an employer in the City of Windsor, the separated Town of Riverside or the townships of Sandwich East, Sandwich West and Sandwich South.

CLASSIFICATION OF EMPLOYEES

5. The following classification of employees in the industry is established:

Class A — A person who is given full-time employment,

Class B — A person who is given part-time work or casual employment.

MINIMUM RATES OF WAGES

6.—(1) The minimum rate of wages for all work performed in the industry by employees is,

(a) for a Class A employee, 68 per cent of the proceeds from the work performed by him or \$45.00 a week, whichever is the greater; and

(b) for a Class B employee, 68 per cent of the proceeds from the work performed by him or \$1.00 an hour, whichever is the greater.

(2) The percentages in subsection 1 shall be computed upon the gross receipts for work performed at not less than,

(a) the minimum charge for each operation established in section 8; or

(b) the prevailing charge established in the shop for each operation,

whichever is the greater.

7. No deductions shall be made from the minimum rate of wages for,

(a) materials supplied;

(b) laundry service; or

(c) operating expenses.

MINIMUM CHARGES

8.—(1) The minimum charge for each operation in the industry is as follows:

- i. Facial massage, plain..... 65 cents.
- ii. Hair-cut or trim for persons 14 years and over..... 75 cents.
- iii. Hair-cut for persons under 14 years. 65 cents.
- iv. Head-rub..... 30 cents.
- v. Neck-clip for ladies..... 30 cents.
- vi. Razor honing..... 65 cents.
- vii. Shampoo, plain..... 65 cents.
- viii. Shave..... 40 cents.
- ix. Singe..... 45 cents.

(2) No employer or employee may,

(a) contract for or accept prices lower than those in subsection 1;

(b) combine any of the operations named in subsection 1 without charging for each operation in the combination; or

(c) give any article or premium to the customer without charging the full value of the article or premium.

The Board approves section 8 of this Schedule.

INDUSTRY AND LABOUR BOARD:

E. G. GIBB,
Chairman.

J. F. NUTLAND,
Member.

H. G. PIERCY,
Member.

Dated at Toronto, this 30th day of July, 1964.

(1177)

37

THE HIGHWAY TRAFFIC ACT

O. Reg. 227/64.

Speed Limits.

Made—August 27th, 1964.

Filed—September 1st, 1964.

REGULATION MADE UNDER THE HIGHWAY TRAFFIC ACT

1.—(1) Paragraphs 19 and 20 of Part 1 of Schedule 1 to Regulation 232 of Revised Regulations of Ontario, 1960 are revoked and the following substituted therefor:

19. That part of the King's Highway known as No. 2 in the Township of Osnabruck in the County of Stormont lying between a point situate 150 feet measured easterly from its intersection with the line between lots 18 and 19 in Concession 2 and a point situate 450 feet measured westerly from its intersection with the line between the townships of Osnabruck and Cornwall.

20. That part of the King's Highway known as No. 2 in the Township of Cornwall in the County of Stormont lying between a point situate 330 feet measured westerly from its intersection with the line between lots 36 and 37 in Concession 4 and a point situate at its intersection with the line between lots 25 and 26 in the said Concession 4.

(2) Paragraph 28 of Part 3 of the said Schedule 1 is revoked.

(3) Part 3 of the said Schedule 1, as amended by Ontario Regulations 184/61, 371/61, 15/62, 128/62, 164/62, 262/62, 303/62, 207/63, 18/64, 88/64 and 163/64, is further amended by adding thereto the following paragraph:

36. That part of the King's Highway known as No. 2 in the County of Stormont lying between a point situate 450 feet measured westerly from its intersection with the line between the townships of Osnabruck and Cornwall and a point situate 330 feet measured westerly from its intersection with the line between lots 36 and 37 in Concession 4 in the said Township of Cornwall.

2.—(1) Part 1 of Schedule 9 to Regulation 232 of Revised Regulations of Ontario, 1960, as amended by Ontario Regulations 184/61, 330/61, 15/62, 128/62, 303/62 and 216/64, is further amended by adding thereto the following paragraphs:

25. That part of the King's Highway known as No. 7 in the Township of Warwick in the County of Lambton lying between a point situate at its intersection with the King's Highway known as No. 22 and a point situate 1850 feet measured southerly from its intersection with the southerly limit of the roadway known as Frank Street in the Village of Arkona.

26. That part of the King's Highway known as No. 7 lying between a point situate 100 feet measured northerly from its intersection with the northerly limit of the roadway known as Rock Glen Road in the Township of Bosanquet in the County of Lambton and a point situate 640 feet measured southerly from its intersection with the centre line of the roadway known as Queen Street in the Township of West Williams in the County of Middlesex.

27. That part of the King's Highway known as No. 7 in the County of Middlesex lying between a point situate 1200 feet measured easterly from its intersection with the centre line of the road allowance between lots 5 and 6 in Concession 18 in the Township of West Williams and a point situate 1225 feet measured westerly from its intersection with the westerly limit of the Canadian National Railways right of way in the townships of McGillivray and East Williams.

28. That part of the King's Highway known as No. 7 in the County of Middlesex lying between a point situate 1600 feet measured easterly from its intersection with the easterly limit of the roadway known as Ness Street in the Village of Ailsa Craig and a point situate at its intersection with the westerly limit of the King's Highway known as No. 4 in the townships of Biddulph and London.

(2) Part 3 of the said Schedule 9, as amended by Ontario Regulations 330/61, 15/62, 128/62, 197/62 and 303/62, is further amended by adding thereto the following paragraphs:

17. That part of the King's Highway known as No. 7 in the Township of Warwick in the County of Lambton lying between a point situate 1850 feet measured southerly from its intersection with the southerly limit of the roadway known as Frank Street in the Village of Arkona and a point situate 700 feet measured southerly from its intersection with the centre line of the roadway known as King Street.

18. That part of the King's Highway known as No. 7 in the Township of Bosanquet in the County of Lambton lying between a point situate 280 feet measured northerly from its intersection with the northerly limit of the roadway known as Union Street in the Village of Arkona and a point situate 100 feet measured northerly from its intersection with the northerly limit of the roadway known as Rock Glen Road in the said Township of Bosanquet.

19. That part of the King's Highway known as No. 7 in the townships of McGillivray and East Williams in the County of Middlesex lying between a point situate 1225 feet measured westerly from its intersection with the westerly limit of the Canadian National Railways right of way and a point situate 200 feet measured westerly from its intersection

with the easterly limit of the roadway known as James Street in the Village of Ailsa Craig.

20. That part of the King's Highway known as No. 7 in the townships of McGillivray and East Williams in the County of Middlesex commencing at a point situate 100 feet measured easterly from its intersection with the easterly limit of the roadway known as Ness Street in the Village of Ailsa Craig and extending easterly therealong for a distance of 1500 feet more or less.

(3) Part 6 of the said Schedule 9 is amended by adding thereto the following paragraph:

4. That part of the King's Highway known as No. 7 in the Township of Warwick in the County of Lambton lying between a point situate 700 feet measured southerly from its intersection with the centre line of the roadway known as King Street in the Village of Arkona and a point situate at its intersection with the southerly limit of the roadway known as Frank Street.

3. Part 1 of Schedule 13 to Regulation 232 of Revised Regulations of Ontario, 1960, as amended by Ontario Regulations 184/61, 356/61, 231/62, 178/63, 228/63, 265/63, 292/63 and 81/64, is further amended by adding thereto the following paragraph:

31. Those parts of the King's Highway known as No. 11 and 17 in the District of Thunder Bay—

(a) lying between a point situate at the junction of the King's Highway known as No. 11 and the King's Highway known as No. 17 in the Township of Nipigon and a point situate at its intersection with the line between concessions 2 and 3; and

(b) lying between a point situate at its intersection with the line between lots 13 and 14 in Concession 4 in the Township of Nipigon and a point situate at its intersection with the easterly limit of the roadway known as Mackenzie Road in the Township of MacGregor.

4. Part 6 of Schedule 14 to Regulation 232 of Revised Regulations of Ontario, 1960 is revoked and the following substituted therefor:

Part 6

1. That part of the King's Highway known as No. 11B in the Township of Widdifield in the District of Nipissing—

5. Paragraph 30 of Part 1 of Schedule 20 to Regulation 232 of Revised Regulations of Ontario, 1960 is revoked and the following substituted therefor:

30. Those parts of the King's Highway known as No. 11 and 17 in the District of Thunder Bay—

(a) lying between a point situate at the junction of the King's Highway known as No. 11 and the King's Highway known as No. 17 in the Township of Nipigon and a point

situate at its intersection with the line between concessions 2 and 3; and

- (b) lying between a point situate at its intersection with the line between lots 13 and 14 in Concession 4 in the Township of Nipigon and a point situate at its intersection with the easterly limit of the roadway known as Mackenzie Road in the Township of MacGregor.

6. Part 4 of Schedule 25a to Regulation 232 of Revised Regulations of Ontario, 1960, as remade by subsection 3 of section 2 of Ontario Regulation 207/63, is amended by adding thereto the following paragraph:

- Brant—
Twp. of Brantford
- 3. That part of the King's Highway known as No. 24 in the Township of Brantford in the County of Brant lying between a point situate 215 feet measured southerly from its intersection with the centre line of the roadway known as Consol Road and a point situate 400 feet measured northerly from its intersection with the centre line of the roadway known as Powerline Road.

7.—(1) Part 3 of Schedule 45 to Regulation 232 of Revised Regulations of Ontario, 1960, as amended by subsection 2 of section 7 of Ontario Regulation 128/62, is further amended by adding thereto the following paragraph:

- District of Sudbury—
Twp. of Blezard
- 3. That part of the King's Highway known as No. 69 in the Township of Blezard in the District of Sudbury lying between a point situate 750 feet measured southerly from its intersection with the centre line of the roadway known as Vera Street and a point situate 700 feet measured southerly from its intersection with the centre line of the King's Highway known as No. 634.

(2) Paragraph 2 of Part 4 of the said Schedule 45 is revoked.

(3) Paragraph 3 of Part 4 of the said Schedule 45 is amended by striking out "a roadway known as Blezard Valley Road" in the fifth line and inserting in lieu thereof "the King's Highway known as No. 634".

8. Part 1 of Schedule 46a to Regulation 232 of Revised Regulations of Ontario, 1960, as made by section 17 of Ontario Regulation 184/61, is revoked and the following substituted therefor:

Part 1

- Middlesex—
Twp. of West Williams
- 1. That part of the King's Highway known as No. 7 and 81 in the Township of West Williams in the County of Middlesex commencing at a point situate 1200 feet measured easterly from its intersection with the centre line of the road allowance between lots 5 and 6 in Concession 18 and extending easterly therealong for a distance of 6600 feet more or less.

9.—(1) Part 1 of Schedule 50 to Regulation 232 of Revised Regulations of Ontario, 1960 is amended by adding thereto the following paragraphs:

- Grey and Wellington—
Twps. of Egremont and Arthur
- 4. That part of the King's Highway known as No. 89 in the Township of Egremont in the County of Grey and in the Township of Arthur in the County of Wellington lying between a point situate 480 feet measured westerly from its intersection with the line between lots 1 and 2 in Concession 4 in the said Township of

Egremont and a point situate 1000 feet measured easterly from its intersection with the line between lots 28 and 29 in the said Concession 4.

- Grey, Wellington and Dufferin—
Twps. of Proton, West Luther, Melancthon and Amaranth
- 5. That part of the King's Highway known as No. 89 in the Township of Proton in the County of Grey, in the Township of West Luther in the County of Wellington and in the townships of Melancthon and Amaranth in the County of Dufferin lying between a point situate at its intersection with the line between lots 3 and 4 in Concession 1 in the said Township of Proton and a point situate 1750 feet measured easterly from its intersection with the centre line of the road allowance between concessions 3 and 4 in the said Township of Melancthon.

(2) Part 4 of the said Schedule 50 is amended by adding thereto the following paragraph:

- Grey and Wellington—
Twps. of Egremont, Proton, Arthur and West Luther
- 2. That part of the King's Highway known as No. 89 in the townships of Egremont and Proton in the County of Grey and in the townships of Arthur and West Luther in the County of Wellington lying between a point situate 1000 feet measured easterly from its intersection with the line between lots 28 and 29 in Concession 4 in the said Township of Egremont and a point situate at its intersection with the line between lots 3 and 4 in Concession 1 in the said Township of Proton.

10. Regulation 232 of Revised Regulations of Ontario, 1960 is amended by adding thereto the following schedules:

HIGHWAY NO. 128

Schedule 58d

Part 1

(Reserved)

Part 2

(Reserved)

Part 2a

(Reserved)

Part 3

(Reserved)

Part 4

- District of Kenora—
Twp. of Jaffray
- 1. That part of the King's Highway known as No. 128 in the Township of Jaffray in the District of Kenora lying between a point situate at its intersection with the northerly limit of the Town of Kenora and a point situate at its intersection with the southerly limit of the King's Highway known as No. 598.

Part 5

(Reserved)

Part 6

(Reserved)

HIGHWAY NO. 604

Schedule 66f

Part 1

(Reserved)

Part 2

(Reserved)

Part 2a

(Reserved)

Part 3

(Reserved)

Part 4

1. That part of the King's Highway known as No. 604 in the Township of Jaffray in the District of Kenora lying between a point situate at its intersection with the easterly limit of the Town of Kenora and a point situate at its intersection with the access road to the airport at the easterly limit of the said highway.

District of Kenora—

Twp. of Jaffray

Part 5

(Reserved)

Part 6

(Reserved)

(1189)

37

THE HIGHWAY TRAFFIC ACT

O. Reg. 228/64.

General.

Made—August 27th, 1964.

Filed—September 1st, 1964.

REGULATION MADE UNDER THE HIGHWAY TRAFFIC ACT

1. Subsection 3 of section 5 of Regulation 227 of Revised Regulations of Ontario, 1960, as amended by section 2 of Ontario Regulation 322/62, is further amended by inserting after "for" in the second line "on and" and by striking out "and before" in the third line and inserting in lieu thereof "to and including".

(1190)

37

THE WILDERNESS AREAS ACT

O. Reg. 229/64.

Wilderness Areas.

Made—August 27th, 1964.

Filed—September 2nd, 1964.

REGULATION MADE UNDER THE WILDERNESS AREAS ACT

1. Regulation 567 of Revised Regulations of Ontario, 1960, as amended by Ontario Regulations 268/61, 35/62 and 89/64, is further amended by adding thereto the following Schedule:

RAINY RIVER DISTRICT

Schedule 38

SHOAL LAKE WILDERNESS AREA

In the Territorial District of Rainy River, being composed of parts of Mining Location K-75 on Shoal Lake, containing an area of 14.40 acres, more or less, described as follows:

(1191)

Premising that the easterly limit of Mining Location K-75 has an astronomical course of due north derived from observations and relating all bearings herein thereto.

Firstly: Part of Mining Location K-75, containing an area of 5.06 acres, more or less.

Beginning at a survey post planted in the east limit of said Mining Location K-75 distant 224.58 feet measured due north along the said east limit from a survey post planted defining the southwesterly corner of Mining Location K-74; thence due south along the said east limit, 133.41 feet, more or less, to the northerly limit of a right of way having a perpendicular width of 20 feet; thence southwesterly along the said right of way limit on the following bearings and distances; south 78° 21' 30" west, 1.43 feet; south 85° 23' 30" west, 305.81 feet; north 85° 37' 30" west, 103.49 feet; south 81° 18' 30" west, 214.74 feet; south 68° 05' west, 120.58 feet; thence south 59° 48' 30" west along the said right of way limit, 366.02 feet, more or less, to the intersection with the west limit of said Mining Location K-75; thence due north along the said west limit, 411.71 feet to a survey post planted; thence due east, 1050.00 feet to the place of beginning.

Secondly: Part of Mining Location K-75, containing an area of 9.34 acres, more or less.

Beginning where a survey post has been planted at the intersection of the east limit of Mining Location K-75 with the inner limit of the 66 foot road allowance laid out along the shore of Shoal Lake and which survey post defines the southwesterly corner of Mining Location K-74; thence due north along the said east limit, 70.93 feet to the southerly limit of a right of way having a perpendicular width of 20 feet; thence southwesterly along the said right of way limit on the following bearings and distances; south 85° 23' 30" west, 307.19 feet; north 85° 37' 30" west, 102.77 feet; south 81° 18' 30" west, 210.12 feet; south 68° 05' west, 116.82 feet; thence south 59° 48' 30" west along the said right of way limit, 376.22 feet, more or less, to the intersection with the west limit of said Mining Location K-75; thence due south along the said west limit, 265.15 feet to a survey post planted; thence due east, 761.68 feet to a survey post planted in the inner limit of the 66 foot road allowance laid out along the shore of Shoal Lake; thence in a general northerly and northeasterly direction following the said inner limit to the place of beginning.

(1191)

37

THE CEMETERIES ACT

O. Reg. 230/64.

Closings and Removals.

Made—August 27th, 1964.

Filed—September 4th, 1964.

REGULATION MADE UNDER THE CEMETERIES ACT

1. Section 2 of Regulation 42 of Revised Regulations of Ontario, 1960, as remade by section 1 of Ontario Regulation 372/61 and amended by section 1 of Ontario Regulation 192/62, section 1 of Ontario Regulation 6/63, section 1 of Ontario Regulation 48/63 and section 1 of Ontario Regulation 198/63, is further amended by striking out "and 29" in the third line and inserting in lieu thereof "29 and 31".

(1192)

37

Publications Under The Regulations Act

September 19th, 1964

THE PUBLIC HOSPITALS ACT

O. Reg. 231/64.
Grants—Capital.
Made—August 27th, 1964.
Filed—September 8th, 1964.

REGULATION MADE UNDER THE PUBLIC HOSPITALS ACT

1. Clause *b* of subsection 5 of section 3 of Ontario Regulation 308/63, as made by subsection 3 of section 1 of Ontario Regulation 203/64, is amended by striking out "a hospital" in the first line and inserting in lieu thereof "any renovation project".

(1208) 38

THE GENERAL WELFARE ASSISTANCE ACT

O. Reg. 232/64.
General.
Made—September 3rd, 1964.
Filed—September 9th, 1964.

REGULATION MADE UNDER THE GENERAL WELFARE ASSISTANCE ACT

1. Section 25 of Regulation 207 of Revised Regulations of Ontario, 1960 is revoked and the following substituted therefor:

SUPPLEMENTARY AID

- 25.—(1) Subject to subsections 2 and 3, where a municipal welfare administrator grants and the municipality pays supplementary aid to a recipient of a governmental benefit for the purpose of assisting the recipient to meet the cost of his shelter or to provide for extraordinary needs, Ontario shall pay to the municipality 80 per cent of the amount that is granted, or \$16 a month, whichever is the lesser.
- (2) No payment shall be made by Ontario under subsection 1 in respect of supplementary aid paid to a recipient of a governmental benefit who is not a pensioner under the *Old Age Security Act* (Canada) if,
- (a) where the recipient is unmarried, his liquid assets exceed \$1,000; or
 - (b) where the recipient is married, the total liquid assets of the recipient and his spouse exceeds \$1,500.
- (3) No payment shall be made by Ontario under subsection 1 in respect of supplementary aid paid to a pensioner under the *Old Age Security Act* (Canada) if,
- (a) where the pensioner is unmarried, his annual income, including the pension, exceeds \$1,260 or his liquid assets exceed \$1,000; or

(b) where the pensioner is married, the total annual income of the pensioner and his spouse, including pensions, exceeds \$2,220 or the total liquid assets of the pensioner and his spouse exceeds \$1,500.

(1219) 38

THE PUBLIC HOSPITALS ACT

O. Reg. 233/64.
Classification of Hospitals.
Made—August 20th, 1964.
Filed—September 9th, 1964.

REGULATION MADE UNDER THE PUBLIC HOSPITALS ACT

1. The Schedule to Ontario Regulation 110/63 is amended by striking out all under the heading "Group G Hospitals", as amended by subclause ii of clause *a* of section 1 of Ontario Regulation 193/63, clause *b* of section 1 of Ontario Regulation 302/63 and clause *b* of section 2 of Ontario Regulation 59/64, and by inserting in lieu thereof the following:

GROUP G HOSPITALS

Item	Location	Name
1.	Alliston	The Stevenson Memorial Hospital (Chronic Patients Unit)
2.	Barrie	Royal Victoria Hospital of Barrie (Chronic Patients Unit)
3.	Belleville	Belleville General Hospital (Chronic Patients Unit)
4.	Bowmanville	Bowmanville Memorial Hospital (Chronic Patients Unit)
5.	Bracebridge	South Muskoka Memorial Hospital (Chronic Patients Unit)
6.	Brantford	The Brantford General Hospital (Chronic Patients Unit)
7.	Brantford	Brant Sanatorium (Hospital Division)
8.	Brockville	Brockville General Hospital (Chronic Patients Unit)
9.	Campbellford	Campbellford Memorial Hospital (Chronic Patients Unit)
10.	Chatham	Public General Hospital (Chronic Patients Unit)
11.	Clinton	The Clinton Hospital Association (Chronic Patients Unit)
12.	Cochrane	The Lady Minto Hospital at Cochrane (Chronic Patients Unit)
13.	Collingwood	The Collingwood General and Marine Hospital (Chronic Patients Unit)
14.	Cornwall	Cornwall General Hospital (Chronic Patients Unit)
15.	Cornwall	Macdonell Memorial Hospital
16.	Dryden	Dryden District General Hospital (Chronic Patients Unit)
17.	Durham	Durham Memorial Hospital (Chronic Patients Unit)
18.	Exeter	South Huron Hospital (Chronic Patients Unit)
19.	Fergus	Groves Memorial Community Hospital (Chronic Patients Unit)

Item	Location	Name
20.	Fort Erie	Douglas Memorial Hospital (Chronic Patients Unit)
21.	Fort William	Westmount Hospital
22.	Fort William	McKellar General Hospital (Chronic Patients Unit)
23.	Goderich	Alexandra Marine and General Hospital (Chronic Patients Unit)
24.	Guelph	St. Joseph's Hospital (Chronic Patients Unit)
25.	Hagersville	West Haldimand Hospital (Chronic Patients Unit)
26.	Haileybury	Misericordia Hospital (Chronic Patients Unit)
27.	Hamilton	Hamilton Civic Hospitals (Chronic Patients Unit)
28.	Hamilton	Hamilton Health Association (Brow Infirmary, Chronic Patients Unit)
29.	Hanover	Hanover Memorial Hospital (Chronic Patients Unit)
30.	Huntsville	Huntsville District Memorial Hospital (Chronic Patients Unit)
31.	Ingersoll	Alexandra Hospital (Chronic Patients Unit)
32.	Kapuskasing	Sensenbrenner Hospital (Chronic Patients Unit)
33.	Kirkland Lake	Kirkland and District Hospital (Chronic Patients Unit)
34.	Kitchener	Freeport Sanatorium (Coutts Memorial Pavilion)
35.	Kitchener	Kitchener-Waterloo General Hospital (Chronic Patients Unit)
36.	Little Current	St. Joseph's General Hospital (Chronic Patients Unit)
37.	London	Parkwood Hospital
38.	Markdale	Centre Grey General Hospital (Chronic Patients Unit)
39.	Midland	St. Andrew's Hospital (Chronic Patients Unit)
40.	Mount Forest	Louise Marshall Hospital Limited (Chronic Patients Unit)
41.	Napanee	Lennox and Addington County General Hospital (Chronic Patients Unit)
42.	Niagara Falls	The Greater Niagara General Hospital (Chronic Patients Unit)
43.	North Bay	North Bay Civic Hospital (Chronic Patients Unit)
44.	Orangeville	Dufferin Area Hospital (Chronic Patients Unit)
45.	Orillia	Orillia Soldiers' Memorial Hospital (Chronic Patients Unit)
46.	Oshawa	Oshawa General Hospital (Chronic Patients Unit)
47.	Owen Sound	General and Marine Hospital (Chronic Patients Unit)
48.	Parry Sound	Parry Sound General Hospital (Chronic Patients Unit)
49.	Pembroke	Pembroke Cottage Hospital (Chronic Patients Unit)
50.	Peterborough	Peterborough Civic Hospital (Chronic Patients Unit)
51.	Picton	Prince Edward County Memorial Hospital (Chronic Patients Unit)
52.	Port Arthur	St. Joseph's General Hospital (Chronic Patients Unit)
53.	Port Hope	The Port Hope and District Hospital (Chronic Patients Unit)
54.	Renfrew	The Renfrew Victoria Hospital (Chronic Patients Unit)
55.	St. Catharines	Niagara Peninsula Sanatorium (Chronic Patients Unit)
56.	St. Catharines	The St. Catharines General Hospital (Chronic Patients Unit)

Item	Location	Name
57.	St. Thomas	St. Thomas-Elgin General Hospital (Chronic Patients Unit)
58.	Sarnia	Sarnia General Hospital (Chronic Patients Unit)
59.	Sault Ste. Marie	General Hospital (Chronic Patients Unit)
60.	Sault Ste. Marie	Plummer Memorial Public Hospital (Chronic Patients Unit)
61.	Scarborough	Providence Hospital
62.	Seaforth	Scott Memorial Hospital (Chronic Patients Unit)
63.	Shelburne	Shelburne District Hospital (Chronic Patients Unit)
64.	Simcoe	Norfolk General Hospital (Chronic Patients Unit)
65.	Smith's Falls	St. Francis General Hospital (Chronic Patients Unit)
66.	Stratford	Stratford General Hospital (Chronic Patients Unit)
67.	Strathroy	Strathroy-Middlesex General Hospital (Chronic Patients Unit)
68.	Sudbury	Sudbury Memorial Hospital (Chronic Patients Unit)
69.	Tillsonburg	Tillsonburg District Memorial Hospital (Chronic Patients Unit)
70.	Toronto	Baycrest Hospital
71.	Toronto	Bloorview Hospital
72.	Toronto	The Runnymede Hospital
73.	Uxbridge	The Cottage Hospital (Uxbridge) (Chronic Patients Unit)
74.	Walkerton	County of Bruce General Hospital (Chronic Patients Unit)
75.	Wallaceburg	Sydenham District Hospital (Chronic Patients Unit)
76.	Welland	Welland County General Hospital (Riverside Annex)
77.	Weston	Toronto Hospital (Chronic Illness Unit)
78.	Winchester	Winchester District Memorial Hospital (Chronic Patients Unit)
79.	Wingham	Wingham General Hospital (Chronic Patients Unit)

(1220)

38

THE INDUSTRIAL STANDARDS ACT

O. Reg. 234/64.

Schedule—Barbering Industry (Stoney
Creek-Saltfleet).

Made—September 3rd, 1964.

Filed—September 10th, 1964.

REGULATION MADE UNDER THE INDUSTRIAL STANDARDS ACT

1. The Schedule is in force during pleasure within the Stoney Creek-Saltfleet Zone and is binding upon employers and employees in the barbering industry.

Schedule

INTERPRETATION

1. In this Schedule,

(a) "holiday" means,

(i) Sunday,

(ii) New Year's Day,

(iii) the 2nd day of January,

- (iv) Good Friday,
 - (v) Victoria Day,
 - (vi) Dominion Day,
 - (vii) Stoney Creek-Saltfleet Civic Holiday,
 - (viii) Labour Day,
 - (ix) Thanksgiving Day,
 - (x) Christmas Day, and
 - (xi) the 26th day of December;
- (b) "week" means the period beginning with Sunday and ending with the Saturday next following, both inclusive.

HOURS OF WORK

2. No person shall perform work in the industry,
- (a) on a holiday;
 - (b) on a Monday; and
 - (c) before 8.00 a.m. or after 6.00 p.m. on Tuesday, Wednesday, Thursday or Saturday and before 8.30 a.m. or after 8.30 p.m. on Friday.
3. Notwithstanding clause *b* of section 2, an employee may perform work between 8.30 a.m. and 6.00 p.m. on the Monday preceding New Year's Day, Good Friday or Christmas Day if,
- (a) the employee does not perform more than a total of forty-eight hours of work during the week in which the Monday falls; and
 - (b) the Monday is not a holiday.

MINIMUM RATES OF WAGES

- 4.—(1) The minimum rate of wages for all work performed in the industry by employees is \$1. an hour plus 60 per cent of the proceeds in excess of \$68. from the work performed by the employee in a week.
- (2) The percentage in subsection 1 shall be computed upon the gross receipts for work performed at not less than,
- (a) the minimum charge for each operation established in section 6; or
 - (b) the prevailing charge established in the shop for each operation,
- whichever is the greater.

5. No deductions shall be made from the minimum rate of wages for,
- (a) materials supplied;
 - (b) laundry service; or
 - (c) operating expenses.

MINIMUM CHARGES

- 6.—(1) The minimum charge for each operation in the industry is as follows:
- i. Facial massage, plain 60 cents
 - ii. Hair-cut or trim for persons 14 years and over 75 cents
 - iii. Hair-cut for persons under 14 years 60 cents
 - iv. Head-rub 35 cents

- v. Neck-clip for ladies 35 cents
 - vi. Razor honing 60 cents
 - vii. Shampoo, plain 60 cents
 - viii. Shave 50 cents
 - ix. Singe 50 cents
- (2) No employer or employee may,
- (a) contract for or accept prices lower than those in subsection 1;
 - (b) combine any of the operations named in subsection 1 without charging for each operation in the combination; or
 - (c) give any article or premium to the customer without charging the full value of the article or premium.

The Board approves section 6 of this Schedule.

INDUSTRY AND LABOUR BOARD:

- E. G. GIBB,
Chairman.
- J. F. NUTLAND,
Member.
- H. G. PIERCY,
Member.

Dated at Toronto, this 30th day of July, 1964.

(1221) 38

THE HIGHWAY IMPROVEMENT ACT

O. Reg. 235/64.
Designations—Miscellaneous Northern Ontario.
Made—September 3rd, 1964.
Filed—September 11th, 1964.

REGULATION MADE UNDER THE HIGHWAY IMPROVEMENT ACT

1. Schedules 29 and 30 to Regulation 212 of Revised Regulations of Ontario, 1960, as made by Ontario Regulation 210/63, are revoked and the following substituted therefor:

LAKEHEAD EXPRESSWAY

Schedule 29

In the Township of Neebing and in the City of Fort William in the District of Thunder Bay and being those portions of the King's Highway shown on Department of Highways plan P-8069-1, filed in the office of the Registrar of Regulations at Toronto as No. 556.

4.40 miles, more or less.

Schedule 30

In the townships of McIntyre and MacGregor and in the City of Port Arthur, in the District of Thunder Bay and being those portions of the King's Highway shown on Department of Highways plan P-8070-2, filed in the office of the Registrar of Regulations at Toronto as No. 557.

12.36 miles, more or less.

(1222) 38



Publications Under The Regulations Act

September 26th, 1964

THE HIGHWAY TRAFFIC ACT

O. Reg. 236/64.

Speed Limits.

Made—September 10th, 1964.

Filed—September 14th, 1964.

REGULATION MADE UNDER THE HIGHWAY TRAFFIC ACT

1. Paragraphs 2a and 2b of Part 1 of Schedule 20 to Regulation 232 of Revised Regulations of Ontario, 1960, as made by subsection 3 of section 12 of Ontario Regulation 184/61, are revoked and the following substituted therefor:

2a. That part of the King's Highway known as No. 17 in the County of Carleton lying between a point situate at its intersection with the centre line of the bridge over Green Creek in the Township of Gloucester and a point situate 235 feet measured easterly from its intersection with the centre line of the roadway known as St. Laurent Boulevard in the City of Ottawa.

2b. That part of the King's Highway known as No. 17 in the County of Carleton lying between a point situate 2749 feet measured westerly from its intersection with the roadway known as Pinecrest Road in the City of Ottawa and a point situate at its intersection with the centre line of the King's Highway known as No. 15 in the Township of Nepean.

2. Part 1 of Schedule 69 to Regulation 232 of Revised Regulations of Ontario, 1960, as amended by section 22 of Ontario Regulation 184/61, is further amended by adding thereto the following paragraph:

1. That part of the King's Highway known as the Queensway in the City of Ottawa in the County of Carleton lying between a point situate at its intersection with the centre line of the roadway known as Bronson Avenue and a point situate at its intersection with the centre line of the roadway known as St. Laurent Boulevard.

(1236)

39

THE SANATORIA FOR CONSUMPTIVES ACT

O. Reg. 237/64.

General.

Made—September 10th, 1964.

Filed—September 15th, 1964.

REGULATION MADE UNDER THE SANATORIA FOR CONSUMPTIVES ACT

1. Subsection 2 of section 52a of Regulation 542 of Revised Regulations of Ontario, 1960, as made by section 1 of Ontario Regulation 142/63, is revoked and the following substituted therefor:

(2) The Minister may pay any medical practitioner or other person, hospital clinic or other clinic approved by the Director for carrying out treatment.

(1246)

39

THE INDUSTRIAL STANDARDS ACT

O. Reg. 238/64.

Designation of Industries and Zones.

Made—July 31st, 1964.

Filed—September 16th, 1964.

REGULATION MADE UNDER THE INDUSTRIAL STANDARDS ACT

1. Paragraph 59 of Appendix C to Regulation 244 of Revised Regulations of Ontario, 1960 is revoked and the following substituted therefor:

ST. THOMAS ZONE

59. The City of St. Thomas and the suburban area adjacent thereto and lying within a line drawn as follows: Beginning at the intersection of the easterly limit of the King's Highway Number 4 with the southerly limit of the road allowance between the Township of Southwold in the County of Elgin and the Township of Westminster in the County of Middlesex; thence easterly along the southerly limit of the road allowance to and continuing in an easterly direction along the southerly limit of the road allowance between the Township of Yarmouth in the County of Elgin and the Township of Westminster in the County of Middlesex to the westerly limit of the road allowance between lots 4 and 5 in Concession XIII in the Township of Yarmouth; thence southerly along the westerly limit of that road allowance through Concessions XIII, XII, XI and X and its production to the southerly limit of the road allowance between Concession X and Range 2 north of Edgeware Road; thence easterly along the southerly limit of that road allowance to the westerly limit of the road allowance between lots 12 and 13, Range 2, north of Edgeware Road; thence southerly along the westerly limit of that road allowance and continuing southerly along the westerly limit of the road allowance between lots 12 and 13 through Range 1 north of Edgeware Road and Range 1 south of Edgeware Road; thence continuing southerly along the westerly limit of the road allowance between lots 59 and 60 Concession IX (Concession north of Talbot Road) and its production southerly to the southerly limit of Talbot Road (King's Highway Number 3); thence easterly along the southerly limit of Talbot Road to the westerly limit of a county road between lots 63 and 64 in Concession VIII (Concession south of Talbot Road); thence southerly along the westerly limit of the county road to the northerly limit of the road allowance between Concessions VII and VIII; thence westerly along the northerly limit of the last-mentioned road allowance to the production northerly of the westerly limit of the road allowance between lots 14 and 15 in Concession VII; thence southerly along that production and the westerly limit of that road allowance to the northerly limit of the road allowance between Concessions VI and VII; thence westerly along the northerly limit of that road allowance to the westerly limit of the road allowance between lots 10 and 11; thence southerly along the westerly limit of that road allowance through Concessions VI,

V and IV to the northerly limit of county road Number 27; thence westerly along the northerly limit of county road Number 27 to the production northerly of the westerly limit of the road allowance between lots 7 and 8 in Concession III; thence southerly along that production and the westerly limit of that road allowance to the northerly limit of the road allowance between Concessions II and III; thence westerly along the northerly limit of that road allowance to the easterly limit of a public road between lots 2 and 3 in Concession III; thence northerly along the westerly limit of that public road and westerly along the northerly limit of the public road running westerly through lots 1 and 2 in Concession III to the westerly limit of the Township of Yarmouth; thence northerly along the westerly limit of the Township of Yarmouth to the northerly limit of a road between lots 4 and 5 in Range II east of River Road in the Township of Southwold; thence westerly along the northerly limit of that road to the easterly limit of the road running northerly between Ranges I and II east of River Road; thence northerly along the easterly limit of that road and its production northerly to the southerly limit of the Concession on the south side of Talbot Road, East Branch; thence westerly along the southerly limit of that Concession to the easterly limit of the road allowance between lots 38 and 39; thence northerly along the easterly limit of that road allowance through the Concession on the south side and the Concession on the north side of Talbot Road, East Branch, to and continuing in a northerly direction along the easterly limit of the road allowance between lots 35 and 36 in the Concession on the south side of Talbot Road, North Branch, and its production northerly to and continuing in a northerly direction along the westerly limit of lot 36 in the Concession on the north side of the Talbot Road, North Branch, to the northerly limit of that Concession; thence easterly along the northerly limit of that Concession and its production easterly to the easterly limit of the King's Highway Number 4; thence northerly along the easterly limit of the King's Highway Number 4 to the place of beginning.

H. L. ROWNTREE,
Minister of Labour.

Dated at Toronto, this 31st day of July, 1964.

(1247)

39

THE TOLL BRIDGES ACT

O. Reg. 239/64.

General.

Made—September 10th, 1964.

Filed—September 16th, 1964.

REGULATION MADE UNDER THE TOLL BRIDGES ACT

1.—(1) Subsection 2 of section 5 of Ontario Regulation 282/63 is amended by striking out "twenty-four" in the second line and inserting in lieu thereof "forty".

(2) Subsection 3 of the said section 5 is amended by striking out "twenty" in the second line and inserting in lieu thereof "forty".

(1248)

39

THE TEACHERS' SUPERANNUATION ACT

O. Reg. 240/64.

General.

Made—September 10th, 1964.

Filed—September 17th, 1964.

REGULATION MADE UNDER THE TEACHERS' SUPERANNUATION ACT

1. Section 24 of Regulation 553 of Revised Regulations of Ontario, 1960, as amended by section 1 of Ontario Regulation 298/61, section 1 of Ontario Regulation 236/62 and section 1 of Ontario Regulation 281/63, is further amended by adding thereto the following items:

74. Académie Sainte-Maria Goretti, Alexandria.
75. Cantab College Limited, Toronto.
76. Michael Power Private School, Islington.
77. North Bay College (Scollard Hall), North Bay.
78. Our Lady's School, Glengarda, Windsor.
79. Regina Mundi Minor Seminary, London.
80. Regiopolis College, Kingston.
81. St. Francis de Sales Private School, Smith's Falls.

2. This Regulation comes into force on the 1st day of September, 1964.

(1249)

39

Publications Under The Regulations Act

October 3rd, 1964

THE HIGHWAY IMPROVEMENT ACT

O. Reg. 241/64.

Designations—Miscellaneous Southern
Ontario.

Made—September 17th, 1964.

Filed—September 22nd, 1964.

REGULATION MADE UNDER THE HIGHWAY IMPROVEMENT ACT

1. Regulation 213 of Revised Regulations of Ontario, 1960, as amended by Ontario Regulations 175/61, 342/61, 13/62, 39/62, 42/62, 180/62, 248/62, 265/62, 276/62, 287/62, 307/62, 314/62, 54/63, 174/63, 259/63, 331/63, 173/64, 195/64 and 217/64, is further amended by adding thereto the following Schedule:

Schedule 44e

In the Township of Markham in the County of York being,

(a) part of,

- (i) Lot 10, Concession 11,
- (ii) lots 9 and 10, Concession 10,
- (iii) Lot 9, Concession 9,
- (iv) lots 8 and 9, Concession 8,
- (v) lots 7 and 8 in each of concessions 6 and 7, and
- (vi) lots 7, 8, 9 and 10, Concession 5;

(b) part of,

- (i) blocks A and B,
 - (ii) lots 1, 2, 3 and 6,
 - (iii) the 10-foot strip of land dedicated as public highway,
 - (iv) the one-foot reserve,
 - (v) Chatelaine Drive, and
 - (vi) Lindholm Avenue,
- registered plan 5937; and

(c) part of the road allowance between,

- (i) concessions 10 and 11,
- (ii) concessions 9 and 10,
- (iii) concessions 8 and 9,
- (iv) concessions 7 and 8,
- (v) concessions 6 and 7,
- (vi) concessions 5 and 6,
- (vii) concessions 4 and 5, and
- (viii) the townships of Markham and Pickering,

and being that portion of the King's Highway shown outlined on Department of Highways plan P-5052-2, registered in the registry office for the registry division of the County of York as No. 7218.

8.07 miles, more or less.

(1256)

40

THE MOTHERS' ALLOWANCES ACT

O. Reg. 242/64.

General.

Made—September 17th, 1964.

Filed—September 22nd, 1964.

REGULATION MADE UNDER THE MOTHERS' ALLOWANCES ACT

1. Clause *k* of subsection 1 of section 4 of Ontario Regulation 21/63 is amended by adding at the end thereof "or allowances under the *Youth Allowances Act (Canada)*".

(1257)

40

THE GENERAL WELFARE ASSISTANCE ACT

O. Reg. 243/64.

Dependent Fathers.

Made—September 17th, 1964.

Filed—September 22nd, 1964.

REGULATION MADE UNDER THE GENERAL WELFARE ASSISTANCE ACT

1. Clause *i* of subsection 1 of section 9 of Ontario Regulation 22/63 is amended by adding at the end thereof "or allowances under the *Youth Allowances Act (Canada)*".

(1258)

40

THE PUBLIC SERVICE ACT, 1961-62

O. Reg. 244/64.

General.

Made—September 15th, 1964.

Approved—September 17th, 1964.

Filed—September 22nd, 1964.

REGULATION MADE UNDER THE PUBLIC SERVICE ACT, 1961-62

1. Subsection 1 of section 6 of Ontario Regulation 190/62 is amended by inserting after "registers" in the second line "or such other attendance registers as are approved by the Commission".

2. Section 11 of Ontario Regulation 190/62, as amended by section 1 of Ontario Regulation 74/63, is revoked and the following substituted therefor:

OVERTIME

11.—(1) In this section,

(a) "overtime" means a period of work computed to the nearest half hour and,

(i) performed on a regular working day in addition to the regular working period and consisting of at least one-half hour, or

(ii) performed on a holiday or other day that is not a regular working day;

(b) "stand-by time" means a period of time that is not a regular working period during which a public servant on written instructions from an official of his department keeps himself available for a recall to work.

(2) Overtime and stand-by time shall be approved in writing by the deputy minister or an official of his department who is authorized by him for the purpose and the approval shall be given before the overtime is performed or the stand-by time is arranged, but in an emergency where it is not practicable to approve overtime before it is performed or stand-by time before it is arranged, the overtime or stand-by time shall be approved immediately after the approving official receives notice that overtime has been performed or a public servant has been on stand-by time.

(3) Where a public servant is required to report for any period of work on a holiday or other day that is not a regular working day, he is entitled to a credit of a minimum of four hours of overtime, but where the public servant performs work for more than four hours after being so required to report for work, he is entitled to a credit of a minimum of eight hours for overtime.

(4) Where a public servant is recalled to work on a regular working day after leaving his place of employment at the end of the regular working day, he is entitled to a credit of a minimum of four hours of overtime.

(5) Where a public servant performs three or more continuous hours of overtime in which is included a usual meal time, he shall be paid an allowance for a meal of \$1.50 unless,

(a) the meal is otherwise provided; or

(b) he is otherwise entitled to recover an allowance in respect of the meal,

but no such allowance shall be paid after the 31st day of March, 1965.

(6) Where it is necessary for a public servant to travel to a place that is not his regular work location for the purpose of attending to perform overtime work, the time necessarily spent travelling to and from such place may be included for the purpose of computing overtime if,

(a) travelling is not part of the regular duties of the public servant; and

(b) the official authorizing the overtime has specified the work location in writing.

(7) Where a public servant is required to be on stand-by time after the 31st day of March, 1964, he is entitled to an overtime credit of

one-third of his stand-by time, but where such stand-by time is less than the number of hours in the public servant's regular working day, he is entitled to an overtime credit of one-third of the number of hours in his regular working day.

COMPENSATING LEAVE FOR OVERTIME.

11a.—(1) This section applies to a public servant for whom an attendance record is maintained under subsection 1 of section 6 other than a public servant of a classification set out in Schedule 7.

(2) Subject to subsection 3, a public servant to whom this section applies is entitled to one hour of compensating leave for each hour of overtime that stands to his credit in accordance with section 11.

(3) A public servant is entitled to 1½ hours of compensating leave for each hour of overtime performed on or after the 1st day of April, 1965.

(4) Compensating leave may be taken at a time determined by the deputy minister or an official of his department who is authorized by him for the purpose, and the deputy minister or official shall give the public servant notice of the determination at least one day before the day on which the leave is proposed to be taken.

PAY FOR OVERTIME

11b.—(1) This section applies to a public servant of a classification set out in Schedule 7.

(2) A public servant to whom this section applies is entitled to be paid for overtime that stands to his credit in accordance with section 11.

(3) A public servant shall be paid for overtime performed from the 1st day of June, 1964, to the 31st day of March, 1965, both inclusive, an amount equal to his hourly rate of salary calculated in accordance with subsection 5.

(4) A public servant shall be paid for overtime performed on or after the 1st day of April, 1965, an amount equal to 1½ times his hourly rate of salary calculated in accordance with subsection 5.

(5) The hourly rate of salary of a public servant shall be in accordance with a table of hourly rates of salary issued from time to time by the Commission and shall be calculated,

(a) by dividing by 261 the annual rate of salary that he is receiving at the time the overtime is performed; and

(b) by dividing the quotient obtained in clause a by the number of hours in his regular working day.

(6) Except where a credit for overtime is less than eight hours, a public servant shall be paid quarterly for overtime that stands to his credit and he is entitled to be paid at the end of the fiscal year for all overtime that stands to his credit, notwithstanding that such credit is less than eight hours.

(7) No deduction, other than a deduction for income tax, shall be made from moneys payable for overtime.

3. Ontario Regulation 190/62 is amended by adding thereto the following Schedule:

Schedule 7

Accountant 1
 Accountant 2
 Accounting Machine Operator
 Accounting Machine Supervisor
 Activity Therapy Attendant
 Airframe Finisher
 Animal Attendant 1
 Animal Attendant 2
 Audit Clerk 1
 Audit Clerk 2

 Baker 1
 Baker 2
 Barber
 Blacksmith
 Bookbinder 1
 Bookbinder 2
 Buildings Caretaker 1
 Buildings Caretaker 2
 Buildings Cleaner 1
 Buildings Cleaner and Helper 1
 Bush Foreman
 Butcher 1
 Butcher 2

 Canteen Operator 1
 Canteen Operator 2
 Carpenter
 Cartographer 1
 Cartographer 2
 Child Care Assistant 1
 Child Care Assistant 2
 Child Care Worker 1
 Child Care Worker 2
 Child Care Worker 3
 Clerical Stenographer 1
 Clerical Stenographer 2
 Clerical Stenographer 3
 Clerical Stenographer 4
 Clerical Typist 1
 Clerical Typist 2
 Clerical Typist 3
 Clerical Typist 4
 Clerk 1, Filing
 Clerk 2, Filing
 Clerk 3, Filing
 Clerk 1, General
 Clerk 2, General
 Clerk 3, General
 Clerk 4, General
 Clerk 1, Mail and Messenger
 Clerk 2, Mail and Messenger
 Composer
 Computer Technician, Trainee
 Computer Technician 1
 Computer Technician 2
 Cook 1
 Cook 2
 Cook 3
 Custodial Officer 1
 Custodial Officer 2
 Custodial Officer 3
 Custodial Officer 4

 Dental Assistant
 Dental Hygienist
 Dental Technician
 Dispensary Assistant
 Document Examiner, Trainee
 Draftsman 1
 Draftsman 2
 Draftsman, Tracer
 Driver 1
 Driver 2

 E. E. G. Technician 1
 E. E. G. Technician 2
 Electrician
 Electronics Repairman
 Electronics Technician
 Elevator Attendant
 Equipment Spray Painter

Fireman
 Fisheries Assistant 1 } (deleted as of August 1, 1964)
 Fisheries Assistant 2 }

 Garage Attendant
 Gardener 1
 Gardener 2

 Hairdresser 1
 Hairdresser 2
 Hatchery Assistant (deleted as of August 1, 1964)
 Helper, Food Service
 Herdsman 1
 Herdsman 2
 Highway Equipment Operator 1
 Highway Equipment Operator 2
 Highway Equipment Operator 3
 Highway Equipment Operator 4
 Highway Labour Foreman
 Hospital Aid 1
 Hospital Aid 2
 Hospital Aid 3
 Hospital Attendant 1
 Hospital Attendant 2
 Hospital Attendant 3
 Housekeeper 1
 Housekeeper 2
 Houseman

 Immigration Counsellor
 Industrial Officer 1
 Industrial Officer 2
 Information Clerk
 Instrument Repairman 1
 Instrument Repairman 2

 Janitress
 Junior Accounting Machine Operator
 Junior Commercial Artist
 Junior Draftsman
 Junior Office Appliance Operator
 Junior Printing Machine Operator

 Laboratory Assistant
 Laboratory Attendant 1
 Laboratory Attendant 2
 Laboratory Technician 1
 Laboratory Technician 2
 Labourer
 Landscape Crewman
 Laundress 1
 Laundress 2
 Laundry Worker 1
 Laundry Worker 2
 Laundry Worker 3
 Library Assistant 1
 Library Assistant 2
 Lineman
 Linotype Operator

 Maid 1, Food Service
 Maid 2, Food Service
 Maintenance Bricklayer
 Maintenance Carpenter
 Maintenance Electrician
 Maintenance Machinist
 Maintenance Mason
 Maintenance Mechanic, Helper
 Maintenance Mechanic, Improver
 Maintenance Mechanic, Journeyman
 Maintenance Painter and Decorator
 Maintenance Plasterer
 Maintenance Plumber
 Maintenance Sheet Metal Worker
 Maintenance Steamfitter
 Maintenance Welder
 Matron 1
 Matron 2
 Mechanic 1
 Mechanic 2
 Motor Vehicle Operator

Nurse 1, Clinic
Nurse 2, Clinic
Nurse 1, General
Nurse 2, General
Nurse 1, Nursing Education
Nurse 2, Nursing Education

Occupational Therapy Assistant
Office Appliance Operator 1
Office Appliance Operator 2
Operator 1, Central Switchboard
Operator 2, Central Switchboard
Operator, Comptometer
Operator 1, Telephone Switchboard
Operator 2, Telephone Switchboard

Parking Attendant
Pasteurizer
Patrolman, Ontario Hospital
Photo Processor
Photogrammetrist 1
Photogrammetrist 2
Photo-Mechanical Technician 1
Photo-Mechanical Technician 2
Physical Instructor
Porter and Messenger
Postal Clerk 1
Postal Clerk 2
Postal Clerk 3
Poultryman 1
Poultryman 2
Pressman
Printing Estimator
Printing Machine Operator
Printing Machine Supervisor
Projectionist 1
Projectionist 2

Radiation Technician
Radio and T. V. Repairman
Radio Operator 1 (Without Certificate)
Radio Operator 2 (With Certificate)
Radio Operator (Civilian) Ontario Provincial Police
Radio Telephone Operator
Receptionist
Reforestation Aid 1)
Reforestation Aid 2) (deleted as of August 1, 1964)
Residence Supervisor 1
Residence Supervisor 2

School Aid, Ontario Hospital
Seamstress 1
Seamstress 2
Secretary 1
Secretary 2
Secretary 3
Secretary 4
Senior Office Appliance Operator
Senior Usher and Messenger
Shoe Repairer
Sign Painter, Helper
Sign Painter, Improver
Sign Painter, Journeyman
Stationary Engineer 1
Stationary Engineer 2
Stationary Engineer 3
Stationary Engineer 4
Stationary Engineer 5
Stenographic Reporter
Supply Assistant 1
Supply Assistant 2
Supply Assistant 3

Tabulating Machine Operator 1
Tabulating Machine Operator 2
Tabulating Machine Operator 3
Tailor
Teamster
Teletype Operator 1
Teletype Operator 2
Toll Captain 1
Toll Captain 2
Toll Collector

Trade Instructor 1
Trade Instructor 2
Trade Instructor 3
Traffic Devices Designer
Traffic Patrolman 1, Department of Highways
Traffic Patrolman 2, Department of Highways
Training School Supervisor 1
Training School Supervisor 2
Training School Supervisor 3
Training School Supervisor 4
Transport Driver
Travel Counsellor
Typist 1
Typist 2
Typist 3
Typist 4

Upholstery Repairer
Usher and Messenger

Watchman

X-Ray Technician 1
X-Ray Technician 2
X-Ray Technician, Apprentice
X-Ray Unit Operator 1
X-Ray Unit Operator 2

CIVIL SERVICE COMMISSION:

D. J. COLLINS,
Chairman.

Dated at Toronto, this 15th day of September, 1964.

(1259)

40

THE DEPARTMENT OF MUNICIPAL AFFAIRS ACT

O. Reg. 245/64.

Tax Arrears Procedures and Tax Sales
Procedures, Township of Thurlow.
Made—September 14th, 1964.
Filed—September 23rd, 1964.

REGULATION MADE UNDER THE DEPARTMENT OF MUNICIPAL AFFAIRS ACT

TAX ARREARS PROCEDURES AND TAX SALES PROCEDURES, TOWNSHIP OF THURLOW

1. The tax arrears procedures of the Act shall apply and the tax sales procedures of *The Assessment Act*, *The Public Schools Act* and *The Secondary Schools Act* shall not apply to the Township of Thurlow in the County of Hastings.

J. W. SPOONER,
Minister of Municipal Affairs.

Dated at Toronto, this 14th day of September, 1964.

(1272)

40

THE LABOUR RELATIONS ACT

O. Reg. 246/64:

Rules of Procedure.
Made—August 13th, 1964.
Approved—September 17th, 1964.
Filed—September 23rd, 1964.

REGULATION MADE UNDER THE LABOUR RELATIONS ACT

1. Section 12, sections 13 and 14, as amended by sections 1 and 2 of Ontario Regulation 230/62, and section 23 of Regulation 401 of Revised Regulations of Ontario, 1960, are revoked.

2. Subsection 1 of section 26 of Regulation 401 of Revised Regulations of Ontario, 1960 is amended by striking out "or 23" in the second line.

3. Subsection 2 of section 64 of Regulation 401 of Revised Regulations of Ontario, 1960, as made by section 2 of Ontario Regulation 194/62, is amended by striking out "conciliation and" in the first and second lines.

4. Forms 14, 15, 16 and 17, Form 17a as made by section 3 of Ontario Regulation 230/62, forms 27, 28, 29 and 30 and Form 65 as made by section 3 of Ontario Regulation 230/62 of Regulation 401 of Revised Regulations of Ontario, 1960, are revoked.

5. This Regulation comes into force on the 1st day of October, 1964.

ONTARIO LABOUR RELATIONS BOARD:

J. FINKELMAN	G. RUSSELL HARVEY
G. W. T. REED	L. A. MACLEAN
H. F. IRWIN	J. H. BROWN
D. M. STOREY	R. W. TEAGLE
MORRIS C. HAY	EDMUND BOYER
D. B. ARCHER	J. F. WEATHERILL

Dated at Toronto, this 13th day of August, 1964.

(1283) 40

THE PUBLIC HOSPITALS ACT

O. Reg. 247/64.
Hospital Management.
Made—September 17th, 1964.
Filed—September 23rd, 1964.

REGULATION MADE UNDER THE PUBLIC HOSPITALS ACT

1. Clause *c* of subsection 2 of section 41 of Regulation 523 of Revised Regulations of Ontario, 1960, as made by section 1 of Ontario Regulation 171/62, is revoked and the following substituted therefor:

(c) the elected members of the Council of the College of Physicians and Surgeons of Ontario, *ex officio*, and a medical practitioner or medical practitioners appointed by the College of Physicians and Surgeons of Ontario with the approval of the Commission, to inspect and receive information from medical records for the purposes of the College.

(1284) 40

THE DEPARTMENT OF EDUCATION ACT

O. Reg. 248/64.
General Legislative Grants.
Made—June 19th, 1964.
Approved—September 17th, 1964.
Filed—September 25th, 1964.

REGULATION MADE UNDER THE DEPARTMENT OF EDUCATION

1. Subclause ii of clause *b* of subsection 15 of section 13 of Ontario Regulation 16/64 is amended by inserting after "fences" in the seventh line "new blackboards, new desks, new pianos and".

2. Clause *d* of subsection 3 of section 15 of Ontario Regulation 16/64 is amended by striking out "10c." at the beginning of the third line and inserting in lieu thereof "40c.".

WILLIAM G. DAVIS,
Minister of Education.

Toronto, June 19th, 1964.

(1286) 40

THE NIAGARA PARKS ACT

O. Reg. 249/64.
General.
Made—September 11th, 1964.
Approved—September 24th, 1964.
Filed—September 25th, 1964.

REGULATION MADE UNDER THE NIAGARA PARKS ACT

1.—(1) Clause *a* of subsection 7 of section 2 of Regulation 452 of Revised Regulations of Ontario, 1960 is revoked and the following substituted therefor:

(a) possess an air-gun, fire-arm, gas-operated or spring-operated gun, archery equipment or catapult; or

.

(2) Subsection 8 of the said section 2 is amended by adding at the end thereof:

"or in portable stoves or barbecues used in picnic or parking areas designated by the Commission".

2. Section 8 of Regulation 452 of Revised Regulations of Ontario, 1960 is revoked and the following substituted therefor:

8. Except at a boat launching ramp provided by the Commission, no person shall place or permit to be placed any power-boat, row-boat, sail boat, canoe, punt, ice-boat, raft, hydroplane or water-craft of any kind upon any portion of the talus or foreshore of the Niagara River that is under the jurisdiction of the Commission.

3. Section 18 of Regulation 452 of Revised Regulations of Ontario, 1960 is revoked and the following substituted therefor:

18. No person shall operate a motor vehicle at a greater rate of speed than,

(a) 25 miles an hour in Queen Victoria Park or Queenston Heights Park; or

(b) 40 miles an hour on any other highway, road, boulevard or parkway of the Commission.

4. Section 19 of Regulation 452 of Revised Regulations of Ontario, 1960 is revoked and the following substituted therefor:

19. Except as otherwise provided in this Regulation, no person shall,

(a) operate a vehicle in the Parks except on a highway, road, boulevard, parkway or other place designated by the Commission for vehicles;

(b) park a vehicle in the Parks except in an area designated by the Commission for parking; or

(c) park a vehicle in the Parks between the hours of 2 a.m. and 6 a.m.

5. Section 24 of Regulation 452 of Revised Regulations of Ontario, 1960 is revoked and the following substituted therefor:

24.—(1) The operator of a vehicle shall bring the vehicle to a full stop immediately before crossing or entering the travelled portion of a highway designated as a controlled access highway under subsection 2.

(2) The parts of the highways of the Commission described in column 2 of the Schedule and known by the names set opposite thereto in column 1 are designated as controlled access highways.

(3) Any highway of the Commission that intersects or enters a controlled access highway shall be marked with signs erected and maintained by the Commission that bear the word "stop".

(4) Any speed limit sign, stop sign or yield right of way sign erected by the Commission shall comply with the regulations under *The Highway Traffic Act* respecting the location, size, design and colour of such signs.

6. Form 1 of Regulation 452 of Revised Regulations of Ontario, 1960 is revoked.

THE NIAGARA PARKS COMMISSION:

CHARLES DALEY,
Chairman.

M. T. GRAY,
Secretary.

Dated at Niagara Falls, this 11th day of September, 1964.

(1287)

40

Publications Under The Regulations Act

October 10th, 1964

THE GAME AND FISH ACT, 1961-62

O. Reg. 250/64.
Hunting on Crown Lands—Township of
Tosorontio.
Made—September 24th, 1964.
Filed—September 28th, 1964.

REGULATION MADE UNDER THE GAME AND FISH ACT, 1961-62

1. Subsection 1 of section 2 of Ontario Regulation 310/63 is amended by striking out "16th" in the fourth line and inserting in lieu thereof "14th".
(1288) 41

THE GAME AND FISH ACT, 1961-62

O. Reg. 251/64.
Hunting in Provincial Parks.
Made—September 24th, 1964.
Filed—September 28th, 1964.

REGULATION MADE UNDER THE GAME AND FISH ACT, 1961-62

1. Subsection 1 of section 1 of Ontario Regulation 286/63 is amended by inserting "and" at the end of clause a, by striking out "and" at the end of clause b, and by revoking clause c.
2. Subsection 1 of section 3 of Ontario Regulation 286/63 is amended by striking out "16th day of October to the 30th day of November, both days inclusive, in the year 1963" in the fourth, fifth and sixth lines and inserting in lieu thereof "14th day of October to the 30th day of November, both days inclusive, in the year 1964".
3. Form 1 of Ontario Regulation 286/63 is amended by striking out "in . . . Provincial Park" in the heading thereof.
4. Form 2 of Ontario Regulation 286/63 is amended by striking out "in . . . Provincial Park" in the heading thereof.
(1289) 41

THE PUBLIC WORKS CREDITORS PAYMENT ACT, 1962-63

O. Reg. 252/64.
Notice of Claim.
Made—September 24th, 1964.
Filed—September 28th, 1964.

REGULATION MADE UNDER THE PUBLIC WORKS CREDITORS PAYMENT ACT, 1962-63

NOTICE OF CLAIM

1. A notice setting out the nature and amount of a claim under subsection 1 of section 2 of the Act shall be in Form 1.

Form 1

The Public Works Creditors Payment Act, 1962-63

NOTICE OF CLAIM Contract No.

.....of.....
(name of creditor)

.....hereby gives
(address of creditor)

notice under *The Public Works Creditors Payment Act, 1962-63* of a claim against.....
(name and address of

.....in respect of labour, materials or contractor)

services used or reasonably required for use in the performance of a contract with.....
(name of Crown

agency, board, commission or department)

for the construction, alteration, repair or maintenance of the following public work:

1. (Here give a short description of the public work)
.....
2. The nature of the claim is as follows: (here set out particulars of the labour, material or services supplied).....
3. The last day on which labour, material or services were provided was the.....day of....., 19....
4. The amount of the claim is \$.....

.....
(signature of creditor)

Dated at.....this.....day of....., 19....

NOTE: This Form is to be sent by registered mail to the Crown agency, board, commission or department that is responsible for the construction, alteration, repair or maintenance of the public work.

(1290) 41

THE CONSERVATION AUTHORITIES ACT

O. Reg. 253/64.

Fill and Construction.

Made—February 21st, 1964.

Approved—October 1st, 1964.

Filed—October 1st, 1964.

REGULATION MADE UNDER THE CONSERVATION AUTHORITIES ACT

FILL AND CONSTRUCTION

1. In this Regulation,

- (a) "Authority" means The Metropolitan Toronto and Region Conservation Authority;
- (b) "building or structure" means a building or structure of any kind;
- (c) "fill" means fill of any kind.

2. The areas described in the schedules are areas in which in the opinion of the Authority the control of flooding or pollution or the conservation of land may be affected by the placing or dumping of fill.

3. Subject to section 4, no person shall,

- (a) construct any building or structure or permit any building or structure to be constructed in or on a pond or swamp or in any area below the high-water mark of a lake, river, creek or stream in or on the area under the jurisdiction of the Authority;
- (b) place or dump fill or permit fill to be placed or dumped in the areas described in the schedules.

4. Subject to *The Ontario Water Resources Commission Act* or to any private interest, the Authority may permit in writing the construction of any building or structure or the placing or dumping of fill in any area to which section 3 applies if, in the opinion of the Authority, the site of the building or structure or the placing or dumping and the method of construction or placing or dumping will not affect the control of flooding or pollution or the conservation of land.

5. No person shall commence to construct any building or structure or dump or place fill in any area to which section 3 applies before the permission required by section 4 has been obtained.

6.—(1) A signed application for permission to construct a building or structure shall be filed with the Authority and shall include,

- (a) four copies of a plan of the property showing the proposed location of the building or structure, its elevation and the proposed final grade plan;
- (b) four copies of a complete description of the type of building or structure to be constructed, including drainage details;
- (c) four copies of a statement of the dates between which the construction will be carried out; and
- (d) four copies of a statement of the proposed use of the building or structure following completion of the construction.

(2) A signed application for permission to place or dump fill shall be filed with the Authority and shall include,

- (a) four copies of a plan of the property on which the fill is to be placed, showing the proposed location of filling, the depth to which it is proposed to fill and the proposed final grade of the land when filling is completed;
- (b) four copies of a complete description of the type of fill proposed to be placed or dumped;
- (c) four copies of a statement of the dates between which the placing or dumping will be carried out; and
- (d) four copies of a statement of the proposed use of the land following completion of placing or dumping.

7. The Authority may, at any time, withdraw any permission given under section 4 if, in the opinion of the Authority, the representations contained in the application for the permission are not carried out.

8. Ontario Regulation 136/61 is revoked.

Schedule 1

That part of the watershed of Etobicoke Creek extending northerly from Lake Ontario to,

- (a) Lot 23 in Concession II W. in the Township of Chinguacousy in the County of Peel on the west branch of that creek; and
- (b) Lot 11 in Concession III E. in the said Township of Chinguacousy on the east branch of that creek,

as shown on maps filed in the office of the Registrar of Regulations at Toronto as Nos. 340 to 361, both inclusive.

Schedule 2

That part of the Mimico Creek watershed extending northerly from Lake Ontario to,

- (a) Lot 6 in Concession V in the Township of Chinguacousy in the County of Peel on the west branch of that creek; and
- (b) Lot 8 in Concession V in the said Township of Chinguacousy on the east branch of that creek,

as shown on maps filed in the office of the Registrar of Regulations at Toronto as Nos. 362 to 377, both inclusive.

Schedule 3

That part of the watershed of the Humber River extending northerly from Lake Ontario to,

- (a) Lot 10 in each of concessions VII and IX in the Township of Toronto Gore in the County of Peel on the west branch of that river;
- (b) Lot 32 in Concession VI in the Township of Adjala in the County of Simcoe on the main branch of that river;
- (c) Lot 3 in Concession VII in the Township of King in the County of York on the east branch of that river; and
- (d) Lot 38 in Concession III in the Township of York in the said County of York on the tributary of that river that is commonly known as Black Creek,

as shown on maps filed in the office of the Registrar of Regulations at Toronto as Nos. 378 to 427, both inclusive.

Schedule 4

That part of the watershed of the Don River extending northerly from the Bloor Street Viaduct in the City of Toronto in the County of York to,

- (a) Lot 25 in Concession IV in the Township of Vaughan in the said County of York on the west branch of that river;
- (b) Lot 30 in Concession II and Lot 28 in Concession III in the said Township of Vaughan on the upper tributaries of the east branch of that river;
- (c) Lot 11 in Concession II in the Township of Markham in the said County of York on the upper tributaries of the east branch of that river; and
- (d) Lot 30 in Range I in the Township of Scarborough in the said County of York on the tributary of that river that is commonly known as Massey Creek,

as shown on maps filed in the office of the Registrar of Regulations at Toronto as Nos. 428 to 466, both inclusive.

Schedule 5

That part of the watershed of Highland Creek extending northerly from Lake Ontario to,

- (a) Lot 26 in Range I and Lot 28 in Concession II in the Township of Scarborough in the County of York on the upper tributaries of the west branch of that creek; and
- (b) Lot 18 in Concession III and Lot 24 in Concession IV in the said Township of Scarborough on the upper tributaries of the east branch of that creek,

as shown on maps filed in the office of the Registrar of Regulations at Toronto as Nos. 467 to 479, both inclusive.

Schedule 6

That part of the watershed of Petticoat Creek extending northerly from Lake Ontario to Lot 35 in Concession II in the Township of Pickering in the County of Ontario, as shown on maps filed in the office of the Registrar of Regulations at Toronto as Nos. 480 to 483, both inclusive.

Schedule 7

That part of the watershed of the Rouge River extending northerly from Lake Ontario to,

- (a) Lot 25 in Concession II in the Township of Markham in the County of York on the upper tributaries of the west branch of that river;
- (b) Lot 1 in Concession III and Lot 4 in Concession IV of the Township of Whitchurch in the said County of York on the upper tributaries of the west branch of that river;
- (c) Lot 35 in Concession VIII in the said Township of Markham on the upper tributaries of the east branch of that river; and
- (d) Lot 2 in Concession VI in the said Township of Whitchurch on the upper tributaries of the east branch of that river,

as shown on maps filed in the office of the Registrar of Regulations at Toronto as Nos. 480, 484 to 519, both inclusive.

Schedule 8

That part of the watershed of Duffin Creek extending northerly from Lake Ontario to,

- (a) Lot 6 in Concession IX in the Township of Whitchurch in the County of York on the upper tributaries of the west branch of that creek;
- (b) Lot 7 in Concession I in the Township of Uxbridge in the County of Ontario on the upper tributaries of the west branch of that creek;
- (c) Lot 17 in Concession II in the Township of Pickering in the said County of Ontario on the centre branch of that creek;
- (d) Lot 22 in Concession VIII in the said Township of Pickering on the upper tributaries of the east branch of that creek; and
- (e) Lot 4 in Concession 7 in the said Township of Uxbridge on the upper tributaries of the east branch of that creek,

as shown on maps filed in the office of the Registrar of Regulations at Toronto as Nos. 520 to 555, both inclusive.

(1309) _____ 41

THE MINIMUM WAGE ACT

O. Reg. 254/64.
 Taxi Business.
 Made—October 2nd, 1964.
 Filed—October 2nd, 1964.

**ORDER MADE UNDER
 THE MINIMUM WAGE ACT**

TAXI BUSINESS

1. In this Order,
 - (a) "designated zone" means the whole of Ontario;
 - (b) "taxi business" includes the operation of one or more motor vehicles with seating accommodation for not more than nine passengers for the conveyance of the public for hire.
2. Every employer shall pay to each employee who is employed as a driver in the taxi business in the designated zone,
 - (a) not less than 35 per cent of the proceeds from the work performed by the employee; or
 - (b) a minimum hourly rate of wages of 75 cents,
 whichever is the greater.
3. Where an employee is entitled to be paid a percentage of the proceeds from the work performed by him in the taxi business, the percentage shall be calculated and paid to the employee at intervals of not more than a week.

4.—(1) Subject to subsection 2, for the purpose of determining the minimum hourly rate of wages that shall be paid to an employee under clause b of section 2,

- (a) the employee shall be deemed to be working during the time that he is required by his employer to remain at his place of employment, whether or not he is otherwise working; and
- (b) an employee who is required by his employer to report at his place of employment and who works less than three hours on any day shall be paid the prescribed minimum hourly rate of wages for at least three hours.

(2) Subsection 1 does not apply when the employer is unable to provide work for the employee because of fire, lightning, power failure, storms or like causes of work stoppage beyond the control of the employer.

INDUSTRY AND LABOUR BOARD:

E. G. GIBB,
Chairman.

J. F. NUTLAND,
Member.

H. G. PIERCY,
Member.

Dated at Toronto, this 2nd day of October, 1964.

(1310) 41

THE MINIMUM WAGE ACT

O. Reg. 255/64.
General in Southern Ontario Zone.
Made—October 2nd, 1964.
Filed—October 2nd, 1964.

ORDER MADE UNDER
THE MINIMUM WAGE ACT

1. Section 2 of Ontario Regulation 97/64 is amended by adding thereto the following clause:

- (ha) employees engaged as drivers in the taxi business as defined in Ontario Regulation 254/64.

INDUSTRY AND LABOUR BOARD:

E. G. GIBB,
Chairman.

J. F. NUTLAND,
Member.

H. G. PIERCY,
Member.

Dated at Toronto, this 2nd day of October, 1964.

(1311) 41

THE MINIMUM WAGE ACT

O. Reg. 256/64.
General in Northern Ontario Zone.
Made—October 2nd, 1964.
Filed—October 2nd, 1964.

ORDER MADE UNDER
THE MINIMUM WAGE ACT

1. Section 2 of Ontario Regulation 100/64 is amended by adding thereto the following clause:

- (ha) employees engaged as drivers in the taxi business as defined in Ontario Regulation 254/64.

INDUSTRY AND LABOUR BOARD:

E. G. GIBB,
Chairman.

J. F. NUTLAND,
Member.

H. G. PIERCY,
Member.

Dated at Toronto, this 2nd day of October, 1964.

(1312) 41

THE MINIMUM WAGE ACT

O. Reg. 257/64.
Suspension of Order.
Made—October 2nd, 1964.
Filed—October 2nd, 1964.

ORDER MADE UNDER
THE MINIMUM WAGE ACT

1. The application of Ontario Regulations 133/63, 97/64 and 100/64 to persons employed in the ambulance business as ambulance drivers or helpers is suspended.

INDUSTRY AND LABOUR BOARD:

E. G. GIBB,
Chairman.

J. F. NUTLAND,
Member.

H. G. PIERCY,
Member.

Dated at Toronto, this 2nd day of October, 1964.

(1313) 41

THE MINIMUM WAGE ACT

O. Reg. 258/64.
General in Oshawa, Toronto, Hamilton Zone.
Made—October 2nd, 1964.
Filed—October 2nd, 1964.

ORDER MADE UNDER
THE MINIMUM WAGE ACT

1. Section 2 of Ontario Regulation 133/63, as amended by section 1 of Ontario Regulation 95/64, is further amended by adding thereto the following clause:

- (ha) employees engaged as drivers in the taxi business as defined in Ontario Regulation 254/64.

INDUSTRY AND LABOUR BOARD:

E. G. GIBB,
Chairman.

J. F. NUTLAND,
Member.

H. G. PIERCY,
Member.

Dated at Toronto, this 2nd day of October, 1964.

(1314) 41

Publications Under The Regulations Act

October 17th, 1964

THE WILDERNESS AREAS ACT

O. Reg. 259/64.
Wilderness Areas.
Made—October 1st, 1964.
Filed—October 5th, 1964.

REGULATION MADE UNDER THE WILDERNESS AREAS ACT

1. Regulation 567 of Revised Regulations of Ontario, 1960, as amended by Ontario Regulations 268/61, 35/62, 89/64 and 229/64, is further amended by adding thereto the following schedules:

Schedule 5a

SANKEY TOWNSHIP NATURE RESERVE WILDERNESS AREA

In the geographic Township of Sankey, in the Territorial District of Cochrane, containing an area of 72 acres, more or less, and described as follows:

Beginning at a point in the geographic Township of Sankey distant 3970 feet measured south astronomically from a point in the north boundary of the Township of Sankey, said north boundary being part of the base line run by Speight and VanNostrand, Ontario Land Surveyors, in 1907, and which said point is distant 1510 feet measured easterly along the said north boundary of the township from the 1 Mile Post planted by Speight and VanNostrand, Ontario Land Surveyors, in 1907; thence east astronomically, 1980 feet; thence south astronomically, 1584 feet; thence west astronomically 1980 feet, more or less, to the intersection with a line drawn south astronomically from the point of beginning; thence north astronomically 1584 feet, more or less, to the point of beginning.

Schedule 28a

WHITEFISH LAKE WILDERNESS AREA

In the geographic Township of Hardwick, in the Territorial District of Thunder Bay, containing an area of 274 acres, more or less, described as follows:

Beginning at a point in the high-water mark on the westerly shore of Whitefish Lake where the same is intersected by the production easterly of the northerly boundary of Location W. 291; thence westerly along that production and the northerly limit of that location 28.14 chains, more or less, to an angle in the same; thence south astronomically 21.20 chains, more or less, to the northerly boundary of Mining Location W. 288; thence easterly along the northerly boundary of that mining location 2.23 chains; thence southerly and perpendicularly to the northerly limit of that mining location 21.19 chains, more or less, to the southerly boundary of Mining Location W. 288; thence westerly along the southerly boundary of that mining location 18.25 chains, more or less, to the northwesterly corner of Location 105E; thence southerly along the westerly boundary of that location 49.80 chains, more or less, to the southwest corner of that location; thence easterly along the southerly boundary of that location and its production easterly 50.01 chains, more or less, to the high-water mark on the westerly shore of Whitefish Lake; thence in a general northerly direction following that high-water mark to the point of beginning.

PARRY SOUND DISTRICT

Schedule 38

BLAIR TOWNSHIP NATURE RESERVE WILDERNESS AREA

In the geographic Township of Blair, in the Territorial District of Parry Sound, containing an area of 150 acres, more or less, described as follows:

Beginning at a point in the southerly limit of Lot 29, in Concession VI, in the geographic Township of Blair, distant 400 feet measured westerly along the said southerly limit from the southeasterly corner of said Lot 29; thence north 20° 51' 40" west, 300 feet; thence north 69° 08' 20" east, 400 feet, more or less, to the intersection with the easterly limit of said Lot 29; thence northerly along the said easterly limit to the intersection with the southerly limit of the right of way of a travelled road; thence in a general northwesterly direction along the said limit of the right of way to the intersection with the westerly limit of Lot 30, in Concession VI; thence southerly along the said westerly limit to the southwest corner thereof; thence easterly along the southerly limit of lots 30 and 29, in Concession VI, to the point of beginning.

(1327)

42

THE GAME AND FISH ACT, 1961-62

O. Reg. 260/64.
Hunting by Aircraft.
Made—October 1st, 1964.
Filed—October 5th, 1964.

REGULATION MADE UNDER THE GAME AND FISH ACT, 1961-62

1. Item 2 of the Schedule to Ontario Regulation 153/63 is revoked and the following substituted therefor:

2. PIKANGIKUM AREA

All and Singular that certain territory situate, lying and being in the Territorial District of Kenora, Patricia Portion, and which territory may be more particularly described as follows:

Beginning at the intersection of the boundary between Ontario and Manitoba with the 7th Base Line as surveyed by Phillips and Benner, Ontario Land Surveyors, in 1928; thence easterly along the said 7th Base Line to the intersection with longitude 94° 30' west; thence north on longitude 94° 30' to the intersection with latitude 51° 30'; thence east on latitude 51° 30' to the intersection with longitude 92° 00' west; thence north on longitude 92° 00' to the intersection with latitude 53° 00'; thence west on latitude 53° 00' to the intersection with the boundary between Ontario and Manitoba; thence in a southwesterly and southerly direction following the last mentioned boundary to the point of beginning.

(1328)

42

THE HOMES FOR SPECIAL CARE ACT, 1964

O. Reg. 261/64.

General.

Made—October 1st, 1964.

Filed—October 5th, 1964.

REGULATION MADE UNDER
THE HOMES FOR SPECIAL CARE ACT, 1964

GENERAL

INTERPRETATION

1. In this Regulation,

- (a) "administrator" means a person appointed by a board to administer an approved home or the person in charge of a licensed nursing home or a licensed residential home;
- (b) "approved home" means an institution, building or other premises or place, or any part thereof, approved under section 4 of the Act as a home for special care;
- (c) "board" means the governing board of an approved home;
- (d) "Department" means the Department of Health;
- (e) "Director" means the Director of Homes for Special Care;
- (f) "inspector" includes a medical officer of health or his representative;
- (g) "licensed nursing home" means a nursing home licensed under section 5 of the Act as a home for special care;
- (h) "licensed residential home" means a private residence licensed under section 5 of the Act as a home for special care; and
- (i) "physician" means a duly qualified medical practitioner.

2. A home for special care is classified as an approved home, licensed nursing home or licensed residential home.

PART I

APPROVED HOMES

APPLICATION

3. This Part applies to approved homes.

ADMINISTRATION

4. An administrator is responsible to the board for the efficient management and operation of the approved home that he administers.

QUALIFICATIONS OF STAFF MEMBERS

5. No person shall be employed in an approved home unless he is qualified to perform his duties in the home.

MEDICAL EXAMINATIONS FOR
ADMINISTRATORS AND STAFFS

6.—(1) No person shall be appointed as an administrator or be employed in an approved home unless he has obtained from a physician a certificate certifying that he is,

- (a) free from active tuberculosis or other communicable or contagious disease; and
- (b) physically fit to undertake his duties in the home.

(2) At least once a year the administrator and each member of the staff of an approved home shall obtain the certificate prescribed in subsection 1.

POWERS AND DUTIES OF ADMINISTRATORS

7. In every approved home, the administrator,

- (a) is responsible for,
 - (i) the proper performance of his duties under this Regulation,
 - (ii) the efficient management and operation of the home,
 - (iii) keeping the records required by this Regulation, and
 - (iv) the receipt from and the disbursement to, residents, of moneys held for residents in the trust account established under section 9 and for keeping a written record of all receipts and disbursements;
- (b) shall admit persons to the home in accordance with this Regulation; and
- (c) shall ensure that forms required in respect of admission to the home are properly completed and that a written record is kept of illnesses, transfers, discharges and deaths of residents.

FIRE PROTECTION AND FIRE DUTIES

8. The administrator of an approved home shall ensure that,

- (a) all fire-hazards in the home are eliminated;
- (b) fire-extinguishers, hose and standpipe equipment are inspected at least once a month;
- (c) the fire-alarm system is inspected and tested at least once every two weeks;
- (d) the heating equipment and chimneys are inspected at least once every six months to ensure that they are safe and in good repair;
- (e) a written record is kept of inspections and tests of the fire equipment, the fire-alarm system, the heating system and chimneys;
- (f) the staff, and so far as possible, the residents, know the method of sounding the fire-alarm;
- (g) the staff is trained in the proper use of the fire-extinguishing equipment;
- (h) a procedure is established to be followed when a fire-alarm is given, including the duties of the staff and residents;
- (i) the staff and residents are instructed in the procedure established under clause h, and that the procedure is posted in conspicuous places in the home;
- (j) a fire drill for the staff is held at least once a month;
- (k) matches available to the staff or residents or used by them in or around the home are safety matches;

- (l) an inspection of the building is made each night to ensure that there is no danger of fire, and that the doors in stairwells and smoke barriers are closed.

TRUST ACCOUNTS

9.—(1) Each board shall establish and maintain a trust account in a bank or The Province of Ontario Savings Office in which all moneys of residents held for safekeeping by the administrator shall be deposited.

(2) Where a resident has money upon admission to an approved home or receives money while he is a resident in the home, he may request the administrator to deposit it in the trust account.

(3) Where a resident has money deposited for him in the trust account, he may request the administrator to make all or any part of it available to him at any time.

(4) The administrator shall keep a separate book of account showing all deposits to and withdrawals from the trust account, the name of the resident for whom the deposit or withdrawal is made, and the date of each deposit or withdrawal.

(5) The administrator shall provide a resident with a written receipt for all moneys received for deposit in the trust account, and a resident shall provide the administrator with a written receipt for all moneys withdrawn from the account by the administrator for the resident.

10. The trust account established under section 9 shall be audited annually by a chartered accountant or a licensed public accountant.

BONDING OF ADMINISTRATOR

11.—(1) The administrator of an approved home shall be bonded by a bond of a guarantee company approved under *The Guarantee Companies Securities Act* in an amount or amounts satisfactory to the board that appointed him.

(2) The board shall pay the cost of the bond.

PART II

LICENSED NURSING HOMES

APPLICATION

12. This Part applies to licensed nursing homes.

13. The administrator of a licensed nursing home is responsible for the efficient management and operation of the home.

14. The administrator shall provide sleeping accommodation for residents in rooms with a minimum of,

- (a) 400 cubic feet of air space and fifty square feet of floor space for each person under sixteen years of age; and
- (b) 600 cubic feet of air space and seventy-five square feet of floor space for each person sixteen years of age and over,

and each room so used shall contain at least one window capable of being opened directly to the outside, and the area of the window shall not be less than 10 per cent of the floor area of the room.

15. Sleeping accommodation shall not be provided in any space in a licensed nursing home used as a lobby, hallway, closet, bathroom, stairway or kitchen.

16. The administrator shall provide toilet and bathing facilities which are readily accessible to all residents with a minimum of one wash-basin and one flush toilet for every eight residents and one bathroom or shower for every twelve residents.

17. The administrator shall,

- (a) provide and maintain proper and adequate nursing service and personal care for residents under the direction of a competent nursing attendant;
- (b) ensure that a sufficient staff of qualified nursing and other personnel is provided to give adequate nursing and personal care and prepare and serve meals and maintain the rooms and premises in a clean and sanitary condition; and
- (c) ensure that medical care and attention are made available by a physician to residents as required.

18. The administrator shall ensure that,

- (a) nourishing meals, including special diets where required, are provided at regular intervals and prepared by or under the supervision of a competent person; and
- (b) adequate and sanitary supplies of milk and drinking water are provided.

19. The administrator shall maintain the licensed nursing home in a clean, safe and sanitary condition and shall ensure that,

- (a) all fire hazards in the home are eliminated;
- (b) there is adequate protection from radiators or other heating equipment;
- (c) the water supplies are adequate for all normal needs, including those of fire protection;
- (d) there are at least two separate means of egress to the outside from floors with sleeping accommodation;
- (e) a minimum temperature of 68 degrees Fahrenheit is maintained in the home from the 1st day of October to the 31st day of May;
- (f) the premises are inspected at least once every month by an officer authorized to inspect buildings under *The Fire Marshals Act*;
- (g) all parts of the home are kept free from rubbish, garbage, ashes, flammable materials and other debris;
- (h) the basement of the home is well drained and ventilated;
- (i) the home is weatherproof, free from dampness, adequately heated and all heating equipment is in good repair;
- (j) adequate kitchen equipment and facilities to ensure the proper preparation and protection of food are provided and maintained; and
- (k) all necessary steps are taken to keep the building free from vermin, insects and pests.

PART III

LICENSED RESIDENTIAL HOMES

20. This Part applies to licensed residential homes.

21. A licensed residential home in which a person may be received as a resident shall,

- (a) be a fit and proper place for that person, as evidenced by a written report of an inspection filed with the records of that person in the home; and
- (b) not be the residence of a parent or child of that person.

22. Sleeping accommodation for a person who is a resident in a licensed residential home shall,

- (a) be in a room with the beds so placed that no part of the bed is closer to another bed than $2\frac{1}{2}$ feet and that no part of a bed overlaps a window or radiator;
- (b) subject to clause c, be in a room that is located on the ground floor or the floor immediately above it;
- (c) where the room is located on a floor above the floor immediately above the ground floor, be on a floor from which there are two separate and independent means of egress to the outside; and
- (d) be in a room that is adequately ventilated and lighted by natural light.

INSPECTION OF LICENSED RESIDENTIAL HOMES

23.—(1) A licensed residential home in which a person may be received as a resident shall be,

- (a) inspected and approved by an inspector not more than four months before the day on which a person is placed in that residence; and
- (b) inspected by an inspector at regular intervals after the first inspection.

(2) A licensed residential home may be inspected by an inspector at any reasonable time.

PART IV

LICENCES

24.—(1) A licence issued to a nursing home shall be in Form 1 and an application for a licence in Form 1 shall be in Form 2.

(2) A licence issued to a residential home shall be in Form 3 and an application for a licence in Form 3 shall be in Form 2.

25.—(1) Upon payment of the prescribed fee the Minister may issue a licence,

- (a) to a nursing home that complies with this Regulation; and
- (b) to a residential home that complies with this Regulation and the Minister finds suitable for the reception and care of residents.

(2) A licence in Form 1 or Form 3 expires with the 31st day of December in the year in which it is issued, except that a licence issued before the 31st day of December, 1965 expires with the 31st day of December, 1966.

(3) The Minister may renew a licence in Form 1 or Form 3 upon receipt of an application in Form 2 and payment of the prescribed fee.

(4) The fee for a licence in Form 1 or Form 3 is \$10 and the fee for a renewal thereof is \$5.

26. The Minister may at any time cancel any licence for any reason that he deems proper and notice of the cancellation shall be given by the Minister by registered letter mailed to the administrator at the address shown on the licence and to the local medical officer of health.

27. Each application for a licence in Form 1 or a renewal thereof shall be accompanied by,

- (a) a certificate of an officer authorized to inspect buildings under *The Fire Marshals Act* certifying that the nursing home has been inspected by him within three months of the date of the application and is reasonably safe from fire hazard; and
- (b) a certificate of an inspector certifying that the home has been inspected by him within three months of the date of the application, and that, in his opinion, it is in reasonable compliance with the requirements of Part II of this Regulation.

28. The administrator shall post a licence in Form 1 in a conspicuous place in the lower hallway of the home.

ADMISSION OF RESIDENTS

29. Any person,

- (a) who has been a patient in an institution within the meaning of *The Mental Hospitals Act*;
- (b) who has been discharged under section 44, 45 or 46 of the Act; and
- (c) for whom no immediate provision for care and lodging has been made; or
- (d) who is a resident in a residential unit established under Ontario Regulation 387/61,

may be admitted to a home for special care as a resident upon his own application or the application of a friend or relative.

30. The application referred to in section 29 shall be submitted to the Director who shall arrange for the admission of the applicant as a resident.

31. Sections 80 to 102 of *The Mental Hospitals Act* apply to a home for special care and to any resident therein for whom the Public Trustee was acting immediately prior to his admission as a resident.

RECORDS

32. The administrator of an approved home or a licensed nursing home shall keep or cause to be kept a written record for each resident that shall set forth,

- (a) a detailed report on the medical history of the resident before admission and all physical and mental examinations, and all illnesses and accidents after admission;
- (b) observations on the conduct and behaviour of the resident while in the home;
- (c) where a resident is discharged from the home, the name and address of the person in whose charge the resident was placed at the time of discharge or the name and address of the institution to which the resident was discharged; and
- (d) where a resident dies, a report of the time, date and circumstances of the death and the name and address of the person, if any, who claims the body.

INSPECTORS

33. The Minister may designate officers of the Department as inspectors for the purposes of the Act and this Regulation.

34. An administrator shall permit an inspector or an officer authorized to inspect buildings under *The Fire Marshals Act* to enter a home for special care at any and all reasonable times for the purpose of inspecting the premises and every part thereof to ascertain whether the provisions of this Regulation are being complied with.

35. A medical officer of health shall inspect homes for special care within the area under his jurisdiction at regular intervals or when requested by the Director.

CHARITABLE ORGANIZATIONS

36. With the approval of the Minister, the Director may arrange with the board of any organization having objects of a charitable nature for assistance from such board in the inspection and supervision of accommodation and facilities for the care and maintenance of residents in licensed nursing homes and licensed residential homes and the supervision of the residents therein.

PROVINCIAL AID

37.—(1) Where a resident in an approved home is unable to pay for his care and maintenance, the Minister may grant to the board an amount not exceeding \$6.50 a day for each day that the resident receives care and maintenance in the home, but where the resident does not require nursing care the amount payable shall not exceed \$21 a week.

(2) Where a resident in an approved home is able to pay part of the cost of his care and maintenance, the grant payable under subsection 1 shall be reduced by the amount paid by the resident.

38.—(1) The Minister may pay to a licensed nursing home or licensed residential home for the care and maintenance of a resident an amount not exceeding \$6.50 a day, but where the resident does not require nursing care the amount payable shall not exceed \$21 a week.

(2) Where the Minister pays an amount in respect of a resident the resident or the person responsible for his care and maintenance is liable to pay at least \$2 a day.

Form 1

The Homes for Special Care Act, 1964

NURSING HOME LICENCE

Under *The Homes For Special Care Act, 1964*, and the regulations and subject to the limitations thereof,

this licence is issued to.....
(name and address of home)
as a nursing home for special care.

This licence expires with the....day of.....
19.....

.....
(signature of issuer)

Dated at Toronto, this....day of.....
19.....

Form 2

The Homes for Special Care Act, 1964

APPLICATION FOR LICENSE AS

—NURSING HOME

—RESIDENTIAL HOME

To: The Director of Homes for Special Care,
Department of Health,
Parliament Buildings,
Toronto 2, Ontario.

- 1. Name of Applicant.....
- 2. Address of Applicant.....
- 3. Location of Home.....
- 4. Occupation of Applicant.....
- 5. Number of bedrooms available for residents.....
- 6. Number of residents the applicant proposes to accommodate at one time.....
- 7. Number available for use by residents:
 - (a) wash-basins.....
 - (b) flush toilets.....
 - (c) bathrooms.....
 - (d) showers.....
- 8. Interest of applicant in home.....
(owner, lessee, etc.)
.....
(signature of applicant)

Dated at.....this....day of.....
19.....

Form 3

The Homes for Special Care Act, 1964

RESIDENTIAL HOME LICENCE

Under *The Homes for Special Care Act, 1964*, and the regulations, and subject to the limitations thereof, this

licence is issued to.....
(name and address of home)
as a residential home for special care.

This licence expires with the....day of.....
19.....

.....
(signature of issuer)

Dated at Toronto, this....day of.....
19.....

(1329)

THE PUBLIC HEALTH ACT

O. Reg. 262/64.

Health Units—General.

Made—September 15th, 1964.

Approved—October 1st, 1964.

Filed—October 5th, 1964.

REGULATION MADE UNDER THE PUBLIC HEALTH ACT

1. Schedule 7 to Regulation 510 of Revised Regulations of Ontario, 1960, as remade by Ontario Regulation 222/64, is revoked and the following substituted therefor:

Schedule 7

CARLETON COUNTY HEALTH UNIT

1. The Board of Health of the Carleton County Health Unit shall consist of seven members as follows:

- i. One member to be appointed by the Lieutenant Governor in Council.
- ii. Six members to be appointed annually by the Municipal Council of the County of Carleton, to hold office during its pleasure or until their successors are appointed.

M. B. DYMOND,
Minister of Health.

Dated at Toronto, this 15th day of September, 1964.

(1330)

42

THE GASOLINE HANDLING ACT

O. Reg. 263/64.

General.

Made—October 1st, 1964.

Filed—October 6th, 1964.

REGULATION MADE UNDER THE GASOLINE HANDLING ACT

1. Subsection 8 of section 67 of Regulation 205 of Revised Regulations of Ontario, 1960 is revoked and the following substituted therefor:

(8) Every hose through which a petroleum product is dispensed by means of gravity or electric pumping shall be equipped with a valved nozzle of non-magnetic material so constructed that the valve,

- (a) can be kept open only by manual pressure and closes automatically immediately the manual pressure is released; or
- (b) has a latch-open device as an integral part of the assembly and automatically shuts off the petroleum product when,
 - (i) the gasoline tank is filled,
 - (ii) the valved nozzle falls from the filling neck of the automobile tank, or
 - (iii) the valved nozzle is subject to rough usage or lack of proper lubrication,

and the valved nozzle having such latch-open device shall have marked thereon the conditions required for its operation.

2. Subsection 1 of section 71 of Regulation 205 of Revised Regulations of Ontario, 1960 is revoked and the following substituted therefor:

(1) No person shall dispense a Class 1 petroleum product by means of a valved nozzle referred to in clause *a* of subsection 8 of section 67 at a service station unless he is competent and authorized by the owner, lessee or other person lawfully in charge of the service station.

(1a) The owner, lessee or other person lawfully in charge of a service station shall ensure that while a Class 1 petroleum product is being dispensed at the service station to the fuel tank of a motor vehicle by means of a valved nozzle referred to in clause *b* of subsection 8 of section 67 a competent person is in constant immediate attendance at the motor vehicle.

(1331)

42

Publications Under The Regulations Act

October 24th, 1964

THE APPRENTICESHIP AND TRADESMEN'S QUALIFICATION ACT, 1964

O. Reg. 264/64.

Bricklayers.

Made—October 1st, 1964.

Filed—October 7th, 1964.

REGULATION MADE UNDER THE APPRENTICESHIP AND TRADESMEN'S QUALIFICATION ACT, 1964

1. In this Regulation,

- (a) "bricklayer" means a person who,
 - (i) in the construction of walls, partitions, arches, fire places, chimneys, smoke-stacks and other erections, lays building materials in horizontal rows or in designs or shapes, or
 - (ii) lays fire-brick in walls and arches in the construction of furnaces, or in lining furnaces and retorts, or in enclosing boilers, tanks and heat-treating furnaces,

and who, with respect to the materials so laid,

- (iii) spreads mortar over them and embeds them in the mortar,
- (iv) checks with plumb-rule and level and ensures the vertical and horizontal alignment of the erections, and
- (v) finishes exposed mortar with a trowel,

but does not include a tile setter or a mason as defined in the regulations under the Act or a person who lays concrete blocks only;

- (b) "trade" means the trade of a bricklayer.

2. No person shall become an apprentice in the trade unless he has completed Grade 8 or, in the opinion of the Director, has equivalent academic qualifications.

3. An apprentice training programme in the trade is established and shall consist of four periods of training and instruction of 1600 hours each,

- (a) at full-time educational day classes provided at a Provincial Institute of Trades in the courses contained in Schedule 1; and
- (b) in practical training and instruction provided by an employer of the apprentice in the courses contained in Schedule 2.

4. The subjects of examination for an apprentice in the trade are the subjects set out in column 1 of the schedules.

5. The number of apprentices who may be employed by an employer in the trade shall not exceed,

- (a) where the employer is a journeyman in the trade, one apprentice plus an additional apprentice for each eight journeymen employed by the same employer in the trade and with whom the apprentice is working;
- (b) where the employer is not a journeyman in the trade, one apprentice for the first journeyman employed by the employer plus an additional apprentice for each additional eight journeymen employed by the same employer in the trade and with whom the apprentice is working.

6. Regulations 12 and 13 of Revised Regulations of Ontario, 1960 are revoked.

Schedule 1

BRICKLAYER

ITEM	COLUMN 1	COLUMN 2	COLUMN 3
	Subject Matter	Instruction In	Skills For Apprentices
1	Mortar.	Names and quantities of material used in making mortar. Material used for making coloured mortar.	Preparing and mixing mortar. Adding colouring-matter.
2	Tools.	Trowel; hammer; bolster; plumb-rule; foot-rule; jointers.	Using tools skilfully.
3	Gauging.	Various thicknesses of mortar joints.	The lay-out and use of a gauge-rod.
4	Bonds.	Stretcher; English; Flemish; common.	The lay-out of bonds.

Schedule 1—Continued

ITEM	COLUMN 1	COLUMN 2	COLUMN 3
	Subject Matter	Instruction In	Skills For Apprentices
5	Corners.	Laying a right angle on 4", 9", and 13" walls.	Build corners accurately.
6	Walls.	Building walls of different thicknesses, with emphasis on how to face and back them.	Using a line and pins; building a uniform, clean wall.
7	Joints.	Struck, weathered, raked, ironed, flush, strip.	Finishing joints with trowel or jointer.
8	Trade terms.	Headers; stretchers; closer-course; rack-range; toothing; sope.	Using terms in correct places.
9	Materials.	Brick; block; tile. Identification of these materials.	The lay-out and use of brick, block, and tile.
10	Safety.	Scaffolds; ladders.	Using safe scaffolds and safe planks in building.
11	Chimneys.	Flue sizes; corbelling; linings; clean-outs; thimbles. Types of topping.	The lay-out and building of flues; setting thimbles, linings, and clean-outs. Topping chimneys.
12	Rowlock and soldier positions of brick.	Meaning and uses. Methods of bedding.	Lay-out; setting.
13	Openings.	Window- and door-openings.	The lay-out of bonds for openings; how to build jambs to varying gauge.
14	Drafting.	Geometry; use of symbols and scale.	Reading blue-prints to scale using symbols for the lay-out.
15	Mathematics.	Square root; cube root; decimals; 3-4-5 rule; fractions.	Applying mathematics to brick-laying.
16	Veranda piers.	Depth of footing. Height of piers. Position of beam-holes. Method of capping.	The lay-out of veranda piers; bringing piers level to a finished height. Setting a cap on a pier.
17	Cleaning brick-work.	Ingredients and proportions thereof used; after-effects when not used carefully.	Washing, repairing, and pointing brick-work.
18	Sills.	Brick sills; door-sills; window-sills. Position; over-hang, drip, or wash. Method of bedding.	Setting door- and window-sills accurately.
19	Arches.	Segmental; semi-Gothic.	Lay-out; cutting, setting.
20	Chimney-breast.	Height and width of rough opening. Flues and flue sizes. Corbelling. Gathering. Methods of reducing size of chimney-breast.	Lay-out and build a rough chimney-breast to size. How to reduce size of chimney-breast.

Schedule 1—Continued

ITEM	COLUMN 1	COLUMN 2	COLUMN 3
	Subject Matter	Instruction In	Skills For Apprentices
21	Mantels.	Pier sizes; design; lining; damper; wind-shelf; ornamental-work.	The lay-out of mantels; build piers and lining; set damper; construct mantel to a defined height.
22	Pattern-, bonding- and panel-work.	Herring-bone; 3 and 3 square; diamond.	The lay-out of patterns. Making 45° cuts. Building a border and a panel, accurately.
23	Difficult corners.	13" tile used for backing. 13" solid brick. Tile or cement block.	To be able to build corners with skill, speed and accuracy.

Schedule 2
BRICKLAYER

ITEM	COLUMN 1	COLUMN 2	COLUMN 3
	Subject Matter	Instruction In	Skills For Apprentices
1	Mortar.	Names and quantities of material used in making mortar. Material used for making coloured mortar.	Preparing and mixing mortar. Adding colouring-matter.
2	Tools.	Trowel; hammer; bolster; plumb-rule; foot-rule; jointers.	Using tools skilfully.
3	Gauging.	Various thicknesses of mortar joints.	The lay-out and use of a gauge-rod.
4	Bonds.	Stretcher; English; Flemish; common.	The lay-out of bonds.
5	Corners.	Laying a right angle on 4", 9", and 13", walls.	Build corners accurately.
6	Walls.	Building walls of different thicknesses, with emphasis on how to face and back them.	Using a line and pins; building a uniform, clean wall.
7	Joints.	Struck, weathered, raked, ironed, flush, strip.	Finishing joints with trowel or jointer.
8	Trade terms.	Headers; stretchers; closer-course; rack range; toothing; queen-closure; king-closure.	Using terms in correct places.
9	Materials.	Brick; block; tile. Identification of these materials.	The lay-out and use of brick, block, and tile.
10	Safety.	Scaffolds; ladders.	Using safe scaffolds and safe planks in building.

Schedule 2—Continued

ITEM	COLUMN 1	COLUMN 2	COLUMN 3
	Subject Matter	Instruction In	Skills For Apprentices
11	Chimneys.	Flue sizes; corbelling; linings; clean-outs; thimbles. Types of topping.	The lay-out and building of flues; setting thimbles, linings, and clean-outs. Topping chimneys.
12	Rowlock and soldier positions of brick.	Meaning and uses. Method of bedding.	Lay-out; setting.
13	Openings.	Window- and door-openings.	The lay-out of bonds for openings; how to build jambs to varying gauge.
14	Veranda piers.	Depth of footing. Weight of piers. Position of beam-holes. Method of capping.	The lay-out of veranda piers; bringing piers level to a finished height. Setting a cap on a pier.
15	Cleaning brick-work.	Ingredients and proportions thereof used; after-effects when not used carefully.	Washing, repairing, and pointing brick-work.
16	Sills.	Brick sills; stone sills; door-sills; window-sills. Position; overhang, drip, or wash. Method of bedding.	Setting door- and window-sills accurately.
17	Arches.	Segmental; semi-Gothic.	Laying out; cutting; setting.
18	Chimney-breast.	Height and width of rough opening. Flues and flue sizes. Corbelling. Gathering. Method of reducing size of chimney-breast.	Lay out and build a rough chimney-breast to size. How to reduce size of chimney-breast.
19	Mantels.	Pier sizes; design; lining; damper; wind-shelf; ornamental-work.	The lay-out of mantels; build piers and lining; set damper; construct mantel to a defined height.
20	Pattern-, bonding- and panel-work.	Herring-bone; 3 and 3 square; diamond.	The lay-out of patterns. Making 45° cuts. Building a border and a panel accurately.
21	Difficult corners.	13" tile used for backing. 13" solid brick. Tile, or cement block.	To be able to build corners with skill, speed and accuracy.

THE INDUSTRIAL STANDARDS ACT

O. Reg. 265/64.
 Schedule—Electrical Repair and
 Construction Industry—Ottawa.
 Made—October 1st, 1964.
 Filed—October 7th, 1964.

**REGULATION MADE UNDER
 THE INDUSTRIAL STANDARDS ACT**

1. The Schedule is in force during pleasure within the Ottawa Zone and is binding upon the employers and employees in the electrical repair and construction industry.

2. Ontario Regulation 255/61 is revoked.

Schedule

INTERPRETATION

1. In this Schedule, "holiday" means,

- (a) Saturday;
- (b) Sunday;
- (c) New Year's Day;
- (d) Good Friday;
- (e) Victoria Day;
- (f) Dominion Day;
- (g) Ottawa Civic Holiday;
- (h) Labour Day;
- (i) Thanksgiving Day; and
- (j) Christmas Day.

HOURS OF WORK

2. The regular working periods for the industry are,

- (a) a regular working week consisting of not more than forty hours of work performed during the regular working days; and
- (b) a regular working day consisting of not more than eight hours of work performed on Monday, Tuesday, Wednesday, Thursday, or Friday between 8 a.m. and,
 - (i) 5 p.m. where one hour is given for noon recess, or
 - (ii) 4.30 p.m. where one-half hour is given for noon recess.

3.—(1) Night work is work performed other than,

- (a) (i) on a holiday, or
- (ii) during a regular working day; or
- (b) on a job completed in a three-day period,

and consisting of not more than eight hours of work in a period of twenty-four hours.

(2) Where work cannot be performed during a regular working day, it may be performed by night work.

MINIMUM RATES OF WAGES

4. The minimum rate of wages is,

- (a) for work performed during a regular working day,
 - (i) to and including the 30th day of October, 1964, \$3.15 an hour, and
 - (ii) on and after the 31st day of October, 1964, \$3.25 an hour; and

(b) for night work,

- (i) to and including the 30th day of October, 1964, \$3.60 an hour, and
- (ii) on and after the 31st day of October, 1964, \$3.71 an hour.

SHIFT WORK

5.—(1) Where work is performed in two or more regular shifts, and the day shift is between the hours in clause *b* of section 2, seven hours of work in a period of twenty-four hours performed on a night shift shall be deemed to be performed during a regular working day for the purposes of this Schedule.

(2) One of the shifts that begin in a period of twenty-four hours is a day shift and the rest are night shifts.

(3) An employee who works on a night shift is entitled, as a minimum, to wages for eight hours for work of seven hours.

OVERTIME WORK

6. Overtime work is work,

- (a) that is not night work and is not performed during a regular working day; or
- (b) that is performed on a holiday.

7.—(1) Subject to subsection 3, no overtime work shall be performed in the industry without a permit from the advisory committee.

(2) The advisory committee is authorized to issue the permits subject to this Schedule.

(3) Subsection 1 does not apply to overtime work performed on emergency repairs where life may be endangered or property damaged.

8. No permit for overtime work shall be issued by the advisory committee for overtime work on a holiday, except for repairs to buildings, where the overtime work is necessary to prevent the loss of employment to persons who are regularly employed in the buildings.

RATES OF WAGES FOR OVERTIME WORK

9. The rate of wages for overtime work is,

- (a) for overtime work performed during the four-hour period immediately following the working period of a regular working day, and for overtime work referred to in subsection 3 of section 7,
 - (i) to and including the 30th day of October, 1964, \$4.73 an hour, and
 - (ii) on and after the 31st day of October, 1964, \$4.87 an hour; and
- (b) for all other overtime work,
 - (i) to and including the 30th day of October, 1964, \$6.30 an hour,
 - (ii) on and after the 31st day of October, 1964, \$6.50 an hour.

RATE FOR HANDICAPPED

10. The advisory committee is authorized to fix a minimum rate of wages lower than the rate fixed by this Schedule for an individual who is handicapped.

11. This Schedule does not apply to any person who is performing work in the course of employment as a regular employee of a municipal corporation or a public utility commission in the production or distribution of electrical power.

(1333)

THE APPRENTICESHIP AND TRADESMEN'S QUALIFICATION ACT, 1964

O. Reg. 266/64.

Workers in Servicing and Installing Air-Conditioning or Refrigerating Equipment.
 Made—October 1st, 1964.
 Filed—October 7th, 1964.

REGULATION MADE UNDER THE APPRENTICESHIP AND TRADESMEN'S QUALIFICATION ACT, 1964

1. In this Regulation,

- (a) "certified trade" means the trade of worker in servicing and installing air-conditioning or refrigerating equipment;
- (b) "worker in servicing and installing air-conditioning or refrigerating equipment" means a person who,
 - (i) installs or assembles any component of a refrigerating or air-conditioning system,
 - (ii) assembles or connects any pipe or duct used in piping brine or conditioned air,
 - (iii) overhauls or repairs any equipment used in refrigerating or air-conditioning systems, or
 - (iv) tests, adjusts, or instructs in the operation of refrigerating or air-conditioning systems,

but does not include a person who repairs or installs hermetically sealed units made for refrigerators in domestic use.

2. The trade of worker in servicing and installing air-conditioning or refrigerating equipment is designated as a certified trade for the purposes of the Act.

3. An apprentice training programme is established for the certified trade and shall consist of five periods of training and instruction of 1800 hours each,

- (a) at full-time educational day classes provided at a Provincial Institute of Trades; and
- (b) in practical training and instruction provided by an employer of the apprentice,

in the courses contained in the Schedule.

4. Any person who,

- (a) applies in the prescribed form for apprenticeship in the certified trade; and
- (b) becomes an apprentice in the certified trade within three months after commencing to work in that trade,

is exempt from subsection 2 of section 10 of the Act.

5. The subjects of examination for an apprentice in the certified trade are the subjects set out in column 1 of the Schedule.

6. The number of apprentices who may be employed by an employer in the certified trade shall not exceed,

- (a) where the employer is a journeyman in the trade, one apprentice plus an additional apprentice for each five journeymen employed by that employer in the trade and with whom the apprentice is working; and
- (b) where the employer is not a journeyman in the trade, one apprentice for the first journeyman employed by the employer plus an additional apprentice for each additional five journeymen employed by that employer in the trade and with whom the apprentice is working.

7. A certificate of qualification expires with the 30th day of June in each year.

8. Ontario Regulations 27/64 and 28/64 are revoked.

Schedule

ITEM	COLUMN 1	COLUMN 2
	Subject	Instructions to be Given
1	Trade orientation.	Scope of work. Knowledge required. Practical skills.
2	Tools of trade.	Application and use of, (a) hand tools; (b) power tools; (c) testing instruments; (d) hoists, slings, and rollers; (e) welding and brazing outfits; and (f) leak detectors.
3	Basic principles.	Refrigerant cycles and mechanical applications. Flow and measurement of heat. Refrigerants and pressure-temperature relationship. Interpreting piping and control diagrams, plans and specifications.
4	Refrigeration systems.	Low temperature food warehouses—long term storage. High temperature, short term food storage. Chain store applications. Packaged equipment. Industrial applications: dairies, breweries, meat packing plants. Skating and curling rinks. Test facilities and special equipment. Pumping systems.

Schedule—Continued

ITEM	COLUMN 1	COLUMN 2
	Subject	Instructions to be Given
5	Air conditioning.	Definition of term. Properties of air. Movement and conditioning of air. Layout of duct systems. Types of equipment. Operation of controls, systems and safety devices. Pumping systems. Application requirements. Noise levels. Optimum temperatures.
6	Equipment installation.	Preparation of foundations and mountings for compressor, evaporators, condensers and other components. Alignment procedures, belt and direct drive. Pipe work, steel and copper. Control systems. Safety controls. Duct work systems—check out and balancing. Checkout on electrical and water systems. Evacuation, charging and testing. Start-up and adjusting. Knowledge of pipe and duct installation.
7	Servicing.	Trouble shooting techniques. Maintenance procedures. Start-up and shut-down procedures. Checking of operating and safety controls. Leak detection and repair. Water treatment procedures. Overhauling and repairing of equipment. System cleanout procedures.
8	Safety considerations.	Pressure testing, pressures and gases used. Pressure relief devices. Safety controls. Guards for belts and couplings. Filter cleaning. Handling of acetylene and oxygen equipment. Ladders, hoists and scaffolding. Hand and power tools. Extension cords and air lines. Flammable and toxic refrigerants. Fire precautions. Codes and regulations.

(1334)

43

**THE APPRENTICESHIP AND TRADESMEN'S
QUALIFICATION ACT, 1964**

O. Reg. 267/64.

Barbers.

Made—October 1st, 1964.

Filed—October 7th, 1964.

**REGULATION MADE UNDER
THE APPRENTICESHIP AND TRADESMEN'S
QUALIFICATION ACT, 1964**

1. In this Regulation,

(a) "certified trade" means the trade of a barber;

(b) "barber" means a person who,

(i) cuts or trims hair,

(ii) tints, bleaches or dyes hair,

(iii) shampoos hair and scalp,

(iv) gives hair or scalp treatments or facial massages,

(v) cleans or dresses artificial hair pieces,

(vi) shapes, colours or treats eyebrows or eyelashes,

(vii) curls or waves hair by any means,

(viii) combs or brushes hair,

(ix) shaves or trims beards or moustaches,
or

(x) performs any other operation with respect to dressing hair to obtain an intended effect or according to a particular style,

and who holds himself out to the public as a barber only.

2. The trade of a barber is designated as a certified trade for the purposes of the Act.

3. An apprentice training programme is established for the certified trade and shall consist of three periods of training and instruction of 1800 hours each,

(a) at full-time educational day classes provided at a Provincial Institute of Trades; and

(b) in practical training and instruction provided by an employer of the apprentice,

in the courses contained in the Schedule.

4. A person shall be entitled to a credit in respect of his periods of training and instruction of two hours for each hour of instruction completed in a barber school to which Ontario Regulation 268/64 applies.

5. Any person who,

- (a) applies in the prescribed form for apprenticeship in the certified trade; and
- (b) becomes an apprentice in the certified trade within three months after commencing to work in that trade,

is exempt from subsection 2 of section 10 of the Act.

6. The rate of wages for an apprentice in the certified trade, whether for his regular daily hours or for hours in excess of his regular daily hours, shall be not less than,

- (a) 50 per cent, during the first period of training and instruction;
- (b) 70 per cent, during the second period of training and instruction; and
- (c) 90 per cent, during the third period of training and instruction,

of the rate of wages or its equivalent for a journeyman employed by the same employer in the trade and with whom the apprentice is working.

7. The subjects of examination for an apprentice are the subjects set out in column 1 of the Schedule.

8. A certificate of qualification in the certified trade expires with the 30th day of April in each year.

9. No certificate of qualification in the certified trade shall be renewed unless the applicant for renewal files with his application a certificate of a duly qualified medical practitioner that the applicant is free from any communicable disease.

10. Ontario Regulations 157/63 and 159/63 are revoked.

Schedule

BARBER

ITEM	COLUMN 1	COLUMN 2
	Subject	Instructions to be Given
3	Basic theory	Cells; digestion; circulation; bones of the head; muscles; the nervous system; the skin and its appendages; shedding and regrowth of hair; light therapy; hair, scalp and skin ailments; the theory of massage.
4	Practical knowledge	Haircutting: shapes of heads, texture of hair, styling. Shaving: texture of skin, texture of whisker, preparation of face and neck, stroking of razor. Facials: texture of skin, application of creams, manipulation. Shampooing: manipulations, suitable solvents for different scalp conditions. Scalp treatments: recognition of diseases, application of high-frequency current and miscellaneous electrical equipment.
5	Shop management	Regulations governing shop ownership; suitable business location; simple bookkeeping; purchase of shop equipment and supplies.
6	Professional ethics	Developing personality, tolerance, understanding and respect; maintaining harmony among shop personnel.

(1335)

43

THE APPRENTICESHIP AND TRADESMEN'S QUALIFICATION ACT, 1964

O. Reg. 268/64.
Barber Schools.
Made—October 1st, 1964.
Filed—October 7th, 1964.

REGULATION MADE UNDER THE APPRENTICESHIP AND TRADESMEN'S QUALIFICATION ACT, 1964

1. In this Regulation, "barber school" means any school, college, business institution or establishment that trains or professes to train persons for the barbering trade but does not include,

- (a) a barber shop in which apprentices are employed; or
- (b) a school or college that is under the jurisdiction of the Department of Education.

ITEM	COLUMN 1	COLUMN 2
	Subject	Instruction to be Given
1	Sanitary science	Use of germicides and anti-septics; personal hygiene; shop hygiene.
2	Basic knowledge	The manufacture and use of combs. The parts and manipulation of clippers. The parts, styles and manipulation of shears. The kinds, temper, sizes and safety features of razors. The manufacture, quality and proper use of hones. The quality of the leather, condition and use of straps.

2. No person shall operate a barber school,

(a) unless he is the holder of a licence in Form 1; and

(b) except in accordance with the Act and this Regulation.

3.—(1) A licence to operate a barber school shall be in Form 1 and the fee for a licence in Form 1 or a renewal thereof is \$50.

(2) An application for a licence to operate a barber school shall be made to the Director in Form 2.

(3) The Director shall not issue a licence in Form 1 or a renewal thereof unless the prescribed fee has been paid.

(4) A licence in Form 1 expires with the 31st day of December in the year in which it is issued.

(5) An application for renewal of a licence in Form 1 shall be made to the Director not later than the 1st day of December in each year.

(6) The Director may, after a hearing, revoke or refuse to issue or renew a licence in Form 1 for any reason that he deems proper.

(7) Where the Director revokes or refuses to issue or renew a licence in Form 1, the Deputy Minister shall review the decision of the Director if the licensee or applicant for the licence applies for such review within 30 days after he receives notice of the decision or such longer period as the Deputy Minister permits, and the Deputy Minister shall confirm the decision or order the licence to be issued or reinstated.

4.—(1) No holder of a licence in Form 1 shall enroll a person as a student unless the applicant for enrolment,

(a) is at least sixteen years of age; and

(b) has completed Grade 10 or, in the opinion of the Director, has equivalent academic qualifications,

and unless the licensee has,

(c) notified the Director of the proposed enrolment;

(d) paid to the Director a fee of \$5 for the enrolment;

(e) entered into a contract for the instruction of the applicant and filed an executed copy of the contract with the Director; and

(f) furnished the Director with a certificate of a duly qualified medical practitioner that the applicant for enrolment is free from any communicable disease.

(2) No holder of a licence in Form 1 shall give any instruction unless he complies with subsection 1.

5.—(1) The period of training in a barber school shall be at least 1200 hours unless otherwise approved in writing by the Director.

(2) Subsection 1 does not apply to a holder of a certificate of qualification in the certified trade of barber.

6. A barber school shall employ at least one instructor for each ten students enrolled and in attendance at the school.

7. Every instructor shall,

(a) be the holder of a subsisting certificate of qualification in the certified trade of barber for at least three years; and

(b) be a graduate of a teacher training course that is approved by the Director,

and no instructor shall perform any barbering services for a customer of the school except while he is actually demonstrating to a student or accept any remuneration or gratuity from a customer for work performed in the school.

8. Every instructor shall at least once a year and at such further times as the Director requires furnish the Director with a certificate of a duly qualified medical practitioner that the instructor is not suffering from any communicable disease.

9. No sign, placard or other advertising matter shall be used in connection with a barber school unless it has been submitted to the Director and approved by him.

10. The premises of a barber school shall be identified by a sign visible from the street, and where a barber school and barber shop are operated on the same premises, they shall be separated by a solid partition reaching from the floor to the ceiling and the school shall have a separate entrance.

11.—(1) The premises of a barber school shall be,

(a) properly painted or papered;

(b) properly lighted and ventilated;

(c) supplied with an ample supply of hot and cold running water;

(d) provided with ample sanitary conveniences for the purposes of the students and instructors; and

(e) kept in a clean and sanitary condition.

(2) Each chair in a barber school used for the purpose of barbering shall be placed so that the centre of its base is at least,

(a) 6 feet distant from the centre of the base of any other such chair; and

(b) 3½ feet distant from any wall or cabinet that is used for instructional purposes.

12. Every student in a barber school shall be given one hour for lunch.

13. Customers of a barber school shall be charged such prices as the Director approves.

14. No training or instruction shall be given in a barber school,

- (a) on a Saturday or a holiday; and
- (b) before 9.00 a.m. or after 6.00 p.m. on any other day.

15. Every student and instructor shall wear in a barber school a clean light-coloured coat or smock of washable material.

16. Every student and instructor shall thoroughly clean his hands immediately before attending to a customer.

17.—(1) All combs, clippers, scissors, shaving brushes, blackhead removers, finger bowls, files, pushers, buffers and all massage and scalp applicators and other instruments shall be thoroughly cleansed and sterilized by immersion in boiling water, or in a suitable antiseptic solution immediately before each use and instruments that cannot be so treated shall not be used.

(2) All hairbrushes shall be immersed in a strong antiseptic solution, rinsed in clear water and dried with a clean towel or by heat, before being used on a customer.

18. For shampooing and shaving purposes, lather shall be made only from powdered or liquid soap or from shaving cream or other preparations contained in tubes and, if the lather is prepared in a shaving mug, the mug shall be thoroughly cleansed before each use.

19.—(1) A clean towel shall be placed on the head-rest of every chair used for the purpose of barbering and a fresh, clean towel shall be used for each customer.

(2) A fresh, clean neck band or towel shall be placed around the neck of each customer immediately under the hair cloth.

(3) Each towel or steamer used shall be fresh and clean.

20. Hair cloths and all other linen used in the barber school shall be kept clean and freshly laundered.

21. No caustic or syptic pencil shall be used on a customer and no alum or other astrigent shall be applied except in powder or liquid form.

22. No powder puff or sponge shall be used, but fresh, sterilized cotton wadding shall be used in lieu thereof for each customer.

23. No barbering shall be performed on a customer where a rash is present on the surface to be treated or the surface is inflamed.

24.—(1) No barber school shall be used for purposes of eating or sleeping.

(2) No sink or basin used for domestic purposes shall be used in conjunction with any barber school.

25. No food or soft drink shall be offered for sale or sold on the premises of a barber school.

26. Regulation 11 of Revised Regulations of Ontario, 1960 is revoked.

Form 1

The Apprenticeship and Tradesmen's Qualification Act, 1964

LICENCE TO OPERATE A BARBERING SCHOOL

Under *The Apprenticeship and Tradesmen's Qualification Act, 1964* and the regulations, and subject to the limitations thereof, this licence is issued to

.....
(name)

of.....

.....
(address)

to operate a barbering school under the name:

.....

This licence expires with the....day of....., 19...

Dated at Toronto, this....day of....., 19...

.....
(signature of issuer)

Form 2

The Apprenticeship and Tradesmen's Qualification Act, 1964

APPLICATION FOR LICENCE TO OPERATE A BARBERING SCHOOL

To: Director,
Apprenticeship Branch,
Department of Labour,
Toronto, Ontario.

.....
(name)

.....

.....
(address)

hereby makes application for a licence to operate a barbering school under the name:

.....

at.....
(address of school)

Dated this....day of....., 19...

.....
(signature of applicant)

THE APPRENTICESHIP AND TRADESMEN'S QUALIFICATION ACT, 1964

O. Reg. 269/64.

Cooks.

Made—October 1st, 1964.

Filed—October 7th, 1964.

REGULATION MADE UNDER THE APPRENTICESHIP AND TRADESMEN'S QUALIFICATION ACT, 1964

1. In this Regulation,

(a) "cook" means a person who is qualified to prepare, season, and cook by appropriate methods, soups, meats, fish, poultry, vegetables, desserts and to prepare sauces, gravies and salads, and who has a working knowledge of meat cutting, baking and pastry cooking and other culinary skills;

(b) "trade" means trade of a cook.

2. An apprentice training programme is established for the trade and shall consist of three periods of training and instruction of 2000 hours each,

(a) at full-time educational day classes provided at a Provincial Institute of Trades in the courses contained in Schedule 1; and

(b) in practical training and instruction provided by an employer of the apprentice in the courses contained in Schedule 2.

3. The rate of wages for an apprentice in the trade, whether for his regular daily hours or for hours in excess of his regular daily hours, shall be not less than,

(a) 50 per cent during the first period of training and instruction;

(b) 65 per cent during the second period of training and instruction; and

(c) 80 per cent during the third period of training and instruction,

of the rate of wages or its equivalent for a journeyman employed by the same employer in the trade and with whom the apprentice is working.

4. The subjects of examination for an apprentice are the subjects set out in column 1 of schedules 1 and 2.

5. The number of apprentices who may be employed by an employer in the trade shall not exceed,

(a) where the employer is a journeyman in the trade, one apprentice plus an additional apprentice for each two journeymen employed by the employer in the trade and with whom the apprentice is working; and

(b) where the employer is not a journeyman in the trade, one apprentice for the first journeyman employed by the employer plus an additional apprentice for each additional two journeymen employed by the employer in the trade and with whom the apprentice is working.

Schedule 1

ITEM	COLUMN 1	COLUMN 2
	Subject Matter	Instruction to be Given
1	Nutrition	Basic: connect directly with cooking and preparation of foods. Menu planning.
2	Sanitation	Micro-organisms: conditions for growth; how transferred; how destroyed. Food poisoning. Health inspection: rules and regulations. Food preservation. General accident prevention: first aid.
3	Equipment	Materials and cleansers used. Knives: selection, sharpening, care. Small equipment: selection, quality, care. Large equipment: selection, use, care. Electrical equipment: selection, use, care. Heat conducting properties of various metals. Arrangement of work places.
4	Baking	Weights and measures. Batters and doughs. Baking powder: types of flour; substitution. Leavening agents: baking powder, flour, egg white. Fats: kinds used, advantages, results. Oven temperature: tests for doneness. Mixing: over-mixing and under-mixing. Pastry: types—effect of temperature of fat, degree of mixing, handling, etc. Types of cookies: general method. Icings: kinds, use, cake decorating.
5	Beverages	Basic requirements. Utensils: care and use.
6	Cereals	Types of breakfast cereals. General proportions, timing.
7	Cheese	Cheese board; arrangement. Varieties of cheese.
8	Desserts	Gelatine: general proportions, definition; plain jelly and variations; comparison of jelly powders, and gelatine; desserts—labour, cost, flavour, texture. Meringues: theory of making, method, oven temperature; storage, freezing; variations and scope. Sauces: flavouring, appearance.

ITEM	COLUMN 1	COLUMN 2
	Subject Matter	Instruction to be Given
9	Eggs	Grading, melange, storing of yolks and whites, freshness. Omeletes: variations.
10	Meat	Different methods of cooking meats and when to use each. Recognition of various cuts of meat; knowledge of tender and less tender cuts. Temperatures: reason for moist heat; use of meat thermometer. Preparation of suitable meats for buffet service. Carving of meat: including game and poultry. Suitable gravies and sauces. Storage of meat. Tenderizers.
11	Fish	Freshness of fish: fresh water and salt water. Seasoning, sauces and garnishes. Kinds of fish available; seasons for frozen fish. Temperatures for cooking. Shell fish: kinds, seasons, how to use, preparation of, sauces.
12	Salads	Preparation of vegetables, greens, etc., for tossed salads. Dressings: salad dressing; types and use; mayonnaise; French dressing; storage of dressings.
13	Vegetables	Kinds, seasons. Retention of colour, flavour, food value. Use of herbs, spices for variety. Storage of fresh vegetables. Fresh vs. Frozen: labour, cost. Canned vegetables: how to heat.
14	Soups	General proportions. Types: use. Seasoning. Storage. Re-heating.
15	Sandwiches	Texture and seasoning of fillings. Precautions in handling, wrapping, storage. Fancy sandwiches (hors d'œuvres, dips): keeping qualities, storage.
16	Fruits	Discolouration of fresh fruit. Kinds and seasons of fresh fruit. Suitable varieties for various uses.

ITEM	COLUMN 1	COLUMN 2
	Subject Matter	Instruction to be Given
17	Butchering	Theory of butchering. Wholesale cuts in carcasses: breakdown of wholesale cuts. Recognition of cuts. Grading, hanging, quality. Storage, and freezing.
18	Deep Fat Frying	Fats to use, care of fat, fryer. Temperatures: smoking, type for various foods. Precautions. Breeding: kinds of food to use on and not to use.
19	Thickeners	Flour, cornstarch: general proportions. Roux.
20	Service	Planning of menus. General principles of table setting. Suitable foods. Buffet service. Catering: kinds of catering required.
21	Business knowledge	Cost control: planning of menus with regard to cost. Pricing menus. Inventories. Problems connected with catering: serving special meals. Buffet: work and time schedules.
22	Related subjects	English: business letters. Human relations. Mathematics. Rules and regulations: <i>The Apprenticeship and Tradesmen's Qualification Act, 1964.</i> Health. Field trips: wholesale markets; flour mill; hotel and restaurant kitchens.

Schedule 2

ITEM	COLUMN 1	COLUMN 2
	Subject Matter	Instruction to be Given
1	Basic principles of the trade	Cleanliness. Sanitation. Proper care and use of utensils. Storage of food. Systematic work. Standard portions. Attractiveness of dinner plates. Safety measures.

ITEM	COLUMN 1	COLUMN 2
	Subject Matter	Instruction to be Given
2	Baking	Muffins, scones, popovers, griddle cakes, cream puffs and bouchees. Cakes: plain, angel, sponge, chiffon. Icings: simple cake decorating. Pastry and fillings. Yeast mixtures: rolls, bread, sweet doughs. Cookies: variations. Tea biscuits: variations.
3	Beverages	Tea, coffee, chocolate, cocoa, fruit cocktails, fruit juices.
4	Cereals	Hot breakfast cereals. Baked rice. Italian pastes.
5	Cheese	Simple cheese dishes. Recognition of different kinds of cheese. Set-up of a cheese board.
6	Desserts	Puddings: baked or steamed; suitable sauces. Gelatine: plain jellies, whips, sponges, and Bavarians. Meringue desserts: parfais and ice cream desserts; sauces. Crumb crust desserts.
7	Eggs	Soft, hard, poached, fried, scrambled. Omelets.
8	Meat	Pan broiling, broiling, roasting, stewing, braising, simmering. Cuts suitable for each method. Recognition of different cuts of meat. Carving. Gravies and sauces. Use of left-overs. Preparation of meat for cooking. Preparation of meats suitable for buffet service.
9	Fish	Fresh and frozen: steamed, baked, sauteed. Filleting. Sauces and garnishes. Use of left-overs. Shell fish and sauces. Fish cocktails and sauces. Fish dishes suitable for buffet service.
10	Salads	Preparation and mixing of tossed salads using vegetables and greens. Meat, fish, cooled vegetable salads. Chicken, turkey, sea food salads (using shell fish). Individual salads.

ITEM	COLUMN 1	COLUMN 2
	Subject	Instruction to be Given
11	Vegetables	Dressings: cooked salad dressing; mayonnaise—variations; french dressing. Preparation and cooking. Preparation of suitable sauces. Heating of canned vegetables. Cooking of frozen vegetables.
12	Soups	Various types of soups. Meat stock. Garnishes.
13	Sandwiches	All types for general use. Fancy: hors d'oeuvres, dip, etc.
14	Fruit	Preparation and serving of raw fruit. Cooking of fresh and dehydrated fruits.
15	Butchering	Practice in cutting meat.
16	Deep Fat Frying	Fish, croquettes, fritters. Suitable vegetables.
17	Service	Practice in arranging food on plates for serving. Setting up and serving of buffet meals. Catering, where possible.

(1337)

43

THE APPRENTICESHIP AND TRADESMEN'S QUALIFICATION ACT, 1964

O. Reg. 270/64.

Carpenters.

Made—October 1st, 1964.

Filed—October 7th, 1964.

REGULATION MADE UNDER THE APPRENTICESHIP AND TRADESMEN'S QUALIFICATION ACT, 1964

1. In this Regulation,

- (a) "carpenter" means a person who does the woodwork in the erection, alteration or repair of structures including,
 - (i) the building and erecting of forms for concrete,
 - (ii) the erecting of scaffolds, runways, and hoisting towers,
 - (iii) the erecting of partitions,
 - (iv) the placing of door frames and window frames,
 - (v) the placing of joists, nailing-strips and sleepers,

- (vi) the laying of floors,
- (vii) the preparing of walls and ceilings for plastering,
- (viii) the making and placing of door jambs,
- (ix) the fitting and fixing of architraves and mouldings,
- (x) the cleaning and sanding for interior finish,
- (xi) the checking of all work with plumb-level and square and ensuring proper alignment,
- (xii) the making, placing and erecting of interior fixtures, kitchen cupboards and bathroom cupboards,
- (xiii) the preparing and erecting of panels,
- (xiv) the laying out and erecting of stairs and hand rails,
- (xv) the fitting and placing of hardware on doors, door jambs and windows,
- (xvi) the fitting of doors, windows and fixtures and the placing of hinges thereon,
- (xvii) the weatherproofing of outside walls, and
- (xviii) the shingling of roofs,

but does not include a lather or cabinet-maker;

(b) "trade" means the trade of a carpenter.

2. An apprentice training programme in the trade is established and shall consist of four periods of training and instruction of 1800 hours each,

(a) at full-time educational day classes provided at a Provincial Institute of Trades in the courses contained in Schedule 1; and

(b) in practical training and instruction provided by an employer of the apprentice in the courses contained in Schedule 2.

3. The rate of wages for an apprentice in the trade, whether for his regular daily hours or for hours in excess of his regular daily hours, shall be not less than,

- (a) 40 per cent during the first period of training and instruction;
- (b) 50 per cent during the second period of training and instruction;
- (c) 60 per cent during the third period of training and instruction; and
- (d) 80 per cent during the fourth period of training and instruction,

of the rate of wages or its equivalent for a journeyman employed by the same employer in the trade and with whom the apprentice is working.

4. The subjects of examination for an apprentice are the subjects set out in column 1 of schedules 1 and 2.

5. The number of apprentices who may be employed by an employer in the trade shall not exceed,

- (a) where the employer is a journeyman in the trade, one apprentice plus an additional apprentice for each five journeymen employed by the employer in the trade and with whom the apprentice is working; and
- (b) where the employer is not a journeyman in the trade, one apprentice for the first journeyman employed by the employer plus an additional apprentice for each additional five journeymen employed by the employer in the trade and with whom the apprentice is working.

6. Regulations 15 and 16 of Revised Regulations of Ontario, 1960 are revoked.

Schedule 1

CARPENTER

	COLUMN 1	COLUMN 2	COLUMN 3
ITEM	Subject Matter	Instruction In	Skills For Apprentices
1	Tools.	Safety precautions, and care when using tools. Using the proper tool. Classification of tools: (a) edge tools, cutting tools; (b) marking tools, measuring tools and layout tools; (c) assembly tools; and (d) accessory tools. Capabilities and limitations of tools. Methods of grinding and whetting tools. Saw sharpening.	Angles to grind on edges for different tools.

Schedule 1—Continued

ITEM	COLUMN 1	COLUMN 2	COLUMN 3
	Subject Matter	Instruction In	Skills For Apprentices
2	Use of tools.	(1) True up wood to size; face marks and edge marks. Use of plane gauge, winding batterns, square, rule, and pencil. (2) Squaring ends of wood; explanation of the cutting action and the proper angle for cutting with a cross-cut saw. Use of try-square. (3) Use of rip saw.	Use of face and edge marks. Type of plane to use. Proper angle at which to hold and use saws.
3	Joints; framing and making.	Half-lap joint. Centre-lap joint. Half-lap dovetailed joint. Open dovetailed joint. Through-mortice joint and through-tenon joint. Blind-mortice joint and blind-tenon joint. Bareface-tenon joint. Mitre joint. Dowel joint. Where these joints are used in carpentry.	How to lay out joints. How to make these joints. How to make a tool box.
4	Other joints.	Square-edge joints. Dowel joints. Rabbit joint or ship-lap joint. Plough-and-feather joint. Where these joints are used in carpentry.	How to make these joints.
5	Wall construction.	Lay-out and position of studs. Marking out with steel square.	
6	Cutting and erecting.	Methods of cutting: (a) a correct length; and (b) squaring. Nailing, erection, and bracing.	How to make a cutting-box. Where to place nails. Method of raising. Placing studs on corners for lath.
7	Lumber.	Classification. Growth. Defects. Sizes.	Kinds and sizes of lumber for different uses.
8	Steel square.	Explanation of various markings on a steel square. How bevel cuts are obtained by use of a steel square. Use of steel square to determine the length and bevel cuts of rafters. Use of steel square for marking mitres, obtaining brace lengths, and squaring areas.	
9	Subjects related to carpentry.	Blueprint reading. Mathematics. English.	
10	Other topics.	Fitting and hanging basement sash. Double tenon with haunch. Scarf-joints and the different types thereof. Making fish-plates. Making sash and assembling; using lay-out rod; clamps; wedging; gluing; cleaning. How to mitre the risers of veranda stairs. Lay-out, cutting and erection of veranda stairs.	Where a double tenon with haunch is used. Length of bevel of a scarf-joint. How to lay out and erect stairs.
11	Cutting and erecting.	Placing headers over door openings and window openings. Cutting and erecting sheeting, siding, corner-boards and bevel-ends.	Relative strengths of various sized headers and materials. Diagonal or horizontal placing of nails. Levelling around structure for the siding.

Schedule 1—Continued

ITEM	COLUMN 1	COLUMN 2	COLUMN 3
	Subject Matter	Instruction In	Skills for Apprentices
12	Laying out and making arches.	Laying out, cutting and erecting arches.	Laying out various arches.
13	Making carpenters' saw-horses.	Lay-out by steel square, and then cut and assemble.	Use of steel square.
14	Related subjects.	Blueprint reading. Mathematics. English.	
15	Stairs, newel-posts and handrail.	The lay-out, building and erection of stairs, newel-posts and handrails.	How to lay out, build and erect stairs, newel-posts and handrails.
16	Inside partitions.	Cutting and erecting plates and studs. Framing door openings. Girts. Spacing. Bridging. Temporary braces. Diagonal bracing. Strapping walls. Plugging brick walls.	Dimensions for openings. Lay out inside partitions from plane. Methods of doubling studs. Knowledge of centres, nailing methods, and making plugs. How to use a plugging tool.
17	Roughing-in frame construction.	(1) Cutting, placing, levelling, and bedding of sills. Marking and boring sills for bolts. (2) Making and setting wood girders. (3) Cutting and setting joists. Keeping up the crowned edge of joists. Where and why fire-cuts are made. Spacing and nailing joists. Cutting and placing trimmers, doublers, and bridging. Setting stirrups and anchors. (4) Studding. Cutting, erecting, and spacing studding. Methods of constructing corners. Top plates and bottom plates. Preparation for openings. (5) Nailing rough horizontal, and diagonal sheeting. (6) Erecting scaffolds for various loads. Scaffold materials; sills, legs, headers, ledgers, scabs, horizontal and diagonal bracing, and planking. Safety measures in erecting scaffolds. (7) Cutting, setting and sheeting roof rafters. (8) Shingling. Types of shingles. Cutting for valleys. Cutting for hips. Correct nailing and size of nails. Caps for ridge and hips. Flashing for valleys. Gutter material. Correct lapping and spacing of shingles.	Quality and quantity of materials. Formula for squaring corners. Knowledge of external finishes. Method of laying out joists. Where to double-joist. Laying out trimmers. Correct size of nails and the spacing thereof. Where to place bracing. Method of diagonal bracing. Position of headers to obtain maximum strength. Relative strength of horizontal and diagonal sheeting. Correct size of nails, and the spacing thereof. When to place scabs under ledgers. Safe materials for planking. Lay out of rafters by use of steel-square. Method of raising rafters. Length and type of nails used in shingling. Where to place nails. Placing and use of toe-boards.
18	Construction.	Boring the bottom of wood columns to insert dowels. Cutting, sizing, and setting corbels. Cutting, squaring, hoisting, setting, and bolting of beams. Types of flooring; loose-tongue, tongued and grooved, and laminated. Reason for spacing the joints of flooring.	Cutting, sizing and setting corbels. Materials for corbels. Where to place nails.

Schedule 1—Continued

ITEM	COLUMN 1	COLUMN 2	COLUMN 3
	Subject Matter	Instruction In	Skills For Apprentices
19	Exterior finish.	Setting window frames. Setting door frames. Use of storey-rod. Placing and cutting tongued and grooved siding. Placing and cutting bevel siding. Placing and cutting asbestos siding. Placing and cutting corner-boards. Placing, cutting, and mitring corners. Window trim and door trim; placing paper over rough sheeting and under door trim and window trim. Cutting and placing of barge-boards: soffits, faciae, bed-moulds, dentil blocks, and flashings. Fitting and placing hardware.	Knowing different types of paper. Use of mitre box. Types of nails. Where to place flashings.
20	Interior trim.	(1) Preparing, erecting and fixing of trim; proper methods of setting door jambs. (2) Cutting and setting base blocks and casings; preparing and placing heads; coping of stiles to heads; cutting and scribing back bands; nailing. (3) Trimming windows: preparing, cutting and scribing of stools. Nailing; preparing and cutting of aprons; back bands and casings. (4) Laying base boards: cutting, fitting, mitring. Coping, and scribing to floor. Joints used in laying base boards: butt, tongue, and coped. (5) Preparing, cutting and placing picture rails and wood cornices. (6) Cutting, nailing, mitring and coping of mouldings. (7) Fitting doors to jambs, heads, and floors; hanging of doors and placing hinges. (8) Fitting window sashes: casement; double hung. Cords, weights and spring balances on double hung window sashes.	Knowledge and method of nailing all interior trim. Setting door jambs. Method of obtaining bevel cuts. Use of mitre box in laying base boards. How to place mouldings in a mitre box. Necessary allowance for cutting mouldings. Knowledge of how and when to bevel edges of doors. Setting a butt-gauge. Spacing of door hinges. Knowledge of how to compute the required length of cords. Tying cord to weights; fastening cord to sash; fastening spring-balances to frame and sash.

Schedule 2

CARPENTER

ITEM	COLUMN 1	COLUMN 2	COLUMN 3
	Subject Matter	Instruction In	Skills For Apprentices
1	Tools.	Safety precautions, and care when using tools. Using the proper tool. Classification of tools: (a) edge tools, cutting tools; (b) marking tools, measuring tools and layout tools; (c) assembly tools; and (d) accessory tools. Capabilities and limitations of tools. Methods of grinding and whetting tools. Saw sharpening.	Angles to grind on edges for different tools.

Schedule 2—Continued

ITEM	COLUMN 1	COLUMN 2	COLUMN 3
	Subject Matter	Instruction In	Skills For Apprentices
2	Use of tools.	(1) True up wood to size; face marks and edge marks. Use of plane gauge, winding batterns, square, rule, and pencil. (2) Squaring ends of wood; explanation of the cutting action and the proper angle for cutting with a cross-cut saw. Use of try-square. (3) Use of rip saw.	Use of face marks and edge marks. Type of plane to use. Proper angle at which to hold and use saws.
3	Wall construction.	Lay-out and position of studs. Marking out with steel square.	
4	Cutting and erecting.	Methods of cutting: (a) a correct length; and (b) squaring. Nailing, erection, and bracing.	How to make a cutting-box. Where to place nails. Method of raising. Placing studs on corners for lath.
5	Lumber.	Classification. Growth. Defects. Sizes.	Kinds and sizes of lumber for different uses.
6	Steel square.	Explanation of various markings on a steel square. How bevel cuts are obtained by use of a steel square. Use of steel square to determine the length and bevel cuts of rafters. Use of steel square for marking mitres, obtaining brace lengths, and squaring areas.	
7	Subjects related to carpentry.	Blueprint reading.	
8	Other topics.	Fitting and hanging basement sash. Double tenon with haunch. Scarf-joints and the different types thereof. Making fish-plates. How to mitre the risers of veranda stairs. Lay out, cutting and erection of veranda stairs.	How to lay out and erect stairs.
9	Cutting and erecting.	Placing headers over door openings and window openings. Cutting and erecting sheeting, siding, corner-boards and bevel-ends.	Relative strengths of various sized headers and materials. Diagonal or horizontal placing of nails. Levelling around structure for the siding.
10	Laying out and making arches.	Laying out, cutting and erecting arches.	Laying out various arches.
11	Making carpenters' saw-horses.	Lay-out by steel square, and then cut and assemble.	Use of steel square.
12	Stairs, newel-posts and handrail.	The lay-out, building and erection of stairs, newel-posts and handrails.	How to lay out, build and erect stairs, newel-posts and handrails.
13	Inside partitions.	Cutting and erecting plates and studs. Framing door openings. Girts. Spacing. Bridging. Temporary braces. Diagonal bracing. Strapping walls. Plugging brick walls.	Dimensions for openings. Lay out inside partitions from plane. Methods of doubling studs. Knowledge of centres, nailing methods, and making plugs. How to use a plugging tool.

Schedule 2—Continued

ITEM	COLUMN 1	COLUMN 2	COLUMN 3
	Subject Matter	Instruction In	Skills for Apprentices
14	Roughing-in frame construction.	<p>(1) Cutting, placing, levelling, and bedding of sills. Marking and boring sills for bolts.</p> <p>(2) Making and setting wood girders.</p> <p>(3) Cutting and setting joists. Keeping up the crowned edge of joists. Where and why fire-cuts are made. Spacing and nailing joists. Cutting and placing trimmers, doublers, and bridging. Setting stirrups and anchors.</p> <p>(4) Studding. Cutting, erecting, and spacing studding. Methods of constructing corners. Top plates and bottom plates. Preparation for openings.</p> <p>(5) Nailing rough horizontal, and diagonal sheeting.</p> <p>(6) Erecting scaffolds for various loads. Scaffold materials; sills, legs, headers, ledgers, scabs, horizontal and diagonal bracing, and planking. Safety measures in erecting scaffolds.</p> <p>(7) Cutting, setting and sheeting roof rafters.</p> <p>(8) Shingling. Types of shingles. Cutting for valleys. Cutting for hips. Correct nailing and size of nails. Caps for ridge and hips. Flashing for valleys. Gutter material. Correct lapping and spacing of shingles.</p>	<p>Quality and quantity of materials. Formula for squaring corners. Knowledge of external finishes. Method of laying out joists. Where to double-joist. Laying out trimmers.</p> <p>Correct size of nails and the spacing thereof. Where to place bracing. Position of headers to obtain maximum strength. Method of diagonal bracing.</p> <p>Relative strength of horizontal and diagonal sheeting. Correct size of nails and the spacing thereof. When to place scabs under ledgers. Safe materials for planking.</p> <p>Lay out of rafters by use of steel square. Method of raising rafters. Length and type of nails used in shingling. Where to place nails. Placing and use of toe-boards.</p>
15	Construction.	<p>Boring the bottom of wood columns to insert dowels. Cutting, sizing, and setting corbeils. Cutting, squaring, hoisting, setting, and bolting of beams. Types of flooring: loose-tongue, tongued and grooved, and laminated. Reason for spacing the joints of flooring.</p>	<p>Cutting, sizing and setting corbeils. Materials for corbeils.</p> <p>Where to place nails.</p>
16	Exterior finish.	<p>Setting window frames. Setting door frames. Use of storey-rod. Placing and cutting tongued and grooved siding. Placing and cutting bevel siding. Placing and cutting asbestos siding. Placing and cutting corner-boards. Placing, cutting, and mitring corners. Window trim and door trim; placing paper over rough sheeting and under door trim and window trim. Cutting and placing of barge-boards: soffits, faciae, bed-moulds, dentil blocks, and flashings. Fitting and placing hardware.</p>	<p>Knowing different types of paper. Use of mitre box. Types of nails.</p> <p>Where to place flashings.</p>
17	Interior trim.	<p>(1) Preparing, erecting and fixing of trim; proper methods of setting door jambs.</p> <p>(2) Cutting and setting base blocks and casings; preparing and placing heads; coping of stiles to heads; cutting and scribing back bands; nailing.</p> <p>(3) Trimming windows: preparing, cutting and scribing of stools. Nailing; preparing and cutting of aprons; back bands and casings.</p>	<p>Knowledge and method of nailing all interior trim. Setting door jambs.</p> <p>Method of obtaining bevel cuts.</p>

Schedule 2—Continued

ITEM	COLUMN 1	COLUMN 2	COLUMN 3
	Subject Matter	Instruction In	Skills For Apprentices
		(4) Laying base boards: cutting, fitting, mitring, coping, and scribing to floor. Joints used in laying base boards: butt, tongue, and coped. (5) Preparing, cutting and placing picture rails and wood cornices. (6) Cutting, nailing, mitring and coping of mouldings. (7) Fitting doors to jambs, heads, and floors; hanging of doors and placing hinges. (8) Fitting window sashes: casement; double hung. Cords, weights and spring balances on double hung window sashes.	Use of mitre box in laying base boards. How to place mouldings in a mitre box. Necessary allowance for cutting mouldings. Knowledge of how and when to bevel edges of doors. Setting a butt-gauge. Spacing of door hinges. Knowledge of how to compute the required length of cords. Tying cord to weights; fastening cord to sash; fastening spring-balances to frame and sash.

(1338)

43

THE APPRENTICESHIP AND TRADESMEN'S QUALIFICATION ACT, 1964

O. Reg. 271/64.

Electricians.

Made—October 1st, 1964.

Filed—October 7th, 1964.

REGULATION MADE UNDER THE APPRENTICESHIP AND TRADESMEN'S QUALIFICATION ACT, 1964

1. In this Regulation,

(a) "certified trade" means the trade of electrician;

(b) "electrician" means a person who,

- (i) lays out, assembles, installs, connects or tests electrical fixtures, apparatus, control equipment and wiring for systems of alarm, communication, light, heat or power in buildings or other structures,
- (ii) plans proposed installations from blueprints, sketches or specifications or installs panel boards, switch boxes, pull boxes and other related electrical devices,
- (iii) measures, cuts, threads, bends, assembles and installs conduits and other types of electrical conductor enclosures that connect panels, boxes, outlets and other related electrical devices,
- (iv) installs brackets, hangers or light equipment for supporting electrical equipment,
- (v) installs in or draws electrical conductors through conductor enclosures,

(vi) prepares conductors for splicing of electrical connections, secures conductor connections by soldering or other mechanical means or re-insulates and protects conductor connections, or

(vii) tests electrical equipment for proper function.

2.—(1) The certified trade is composed of branches A, B and C.

(2) Branch A is the trade of a construction electrician.

(3) Branch B is the trade of a maintenance electrician.

(4) Branch C is the trade of a domestic and rural electrician.

3.—(1) A construction electrician is a person who performs the work of an electrician in the construction, erection, repair, remodelling or alteration of the whole or any part of,

(a) a building or structure used for any industrial or commercial purpose; or

(b) a multiple dwelling building containing more than six dwellings.

(2) A maintenance electrician is a person who performs maintenance repairs to electrical equipment used by a manufacturing, industrial or service institution.

(3) A domestic and rural electrician is a person who performs the work of an electrician in the construction, erection, repair, remodelling or alteration of houses, multiple dwelling buildings containing six or fewer dwellings or buildings or structures used for farming, or who performs maintenance repairs to electrical equipment in houses, multiple dwelling buildings containing six or fewer dwellings or farms.

4. The trade of an electrician is designated as a certified trade for the purpose of the Act.

5. An apprentice training programme is established for the certified trade and shall consist of training and instruction,

- (a) at full-time educational day classes provided at a Provincial Institute of Trades in the courses contained in Schedule 1; and
- (b) in practical training and instruction provided by an employer of the apprentice in the courses contained in Schedule 2.

6.—(1) Subject to subsection 2, an apprentice,

- (a) in Branch A or B shall complete five periods of training and instruction of 1800 hours each; and
- (b) in Branch C shall complete four periods of training and instruction of 1800 hours each.

(2) An apprentice in Branch A or B who holds a Secondary School Graduation Diploma, Electrical General shall complete four periods of training and instruction.

7. No person who holds a certificate of apprenticeship or qualification in Branch A may receive a certificate of apprenticeship or qualification in Branch C.

8. Any person who,

- (a) applies in the prescribed form for apprenticeship in the certified trade; and
- (b) becomes an apprentice in the certified trade within three months after commencing to work in that trade,

is exempt from subsection 2 of section 10 of the Act.

9.—(1) Subject to subsection 2, the rate of wages for an apprentice in any branch of the certified trade, whether for his regular daily hours or for hours in excess of his regular daily hours, shall not be less than,

- (a) 30 per cent, during the first period of training and instruction;
- (b) 40 per cent, during the second period of training and instruction;
- (c) 50 per cent, during the third period of training and instruction;
- (d) 70 per cent, during the fourth period of training and instruction; and
- (e) 80 per cent, during the fifth period of training and instruction where applicable,

of the rate of wages or its equivalent for a journeyman employed by the same employer in the same branch of the trade and with whom the apprentice is working.

(2) The rate of wages for an apprentice in Branch A or B of the certified trade to whom subsection 2 of section 6 applies, whether for his regular daily hours or for hours in excess of his regular daily hours, shall not be less than,

- (a) 40 per cent, during the first period of training and instruction;
- (b) 50 per cent, during the second period of training and instruction;
- (c) 70 per cent, during the third period of training and instruction; and
- (d) 80 per cent, during the fourth period of training and instruction,

of the rate of wages or its equivalent for a journeyman employed by the same employer in the same branch of the trade and with whom the apprentice is working.

10. The subjects of examination for an apprentice are the subjects set out in column 1 of schedules 1 and 2.

11. A certificate of qualification expires with the last day of February in each year.

Schedule 1

CONSTRUCTION MAINTENANCE

ITEM	COLUMN 1	COLUMN 2
	Subject	Instructions to be Given
1	General Trade Practice.	Trade Tools. Trade Procedures. Layout.
2	Roughing-in Procedures.	Raceways. Cable Trays. Conduits. Boxes. Fittings. Wire and Cable. Supports. Rigging.
3	Services and Distribution.	Entrances. Distribution Panels. Service Panels. Transformers. Services.
4	Finishing Techniques.	Wiring Devices. Lighting. Power. Testing. Measuring.
5	Auxiliary Systems, and Equipment.	Auxiliary Equipment. Auxiliary Controls. Rotating Equipment. Rotating Controls. Transformers. Services.
6	Estimating.	Materials. Labour. Work Sequences. Other Trades Participation.
7	Canadian Electrical Code.	As related to the trade.

Schedule 1—Continued

MAINTENANCE ELECTRICIAN

ITEM	COLUMN 1	COLUMN 2
	Subject	Instructions to be Given
1	General Trade Practice.	Trade Tools. Trade Procedures. Layout. Rigging. Conduits. Fittings. Raceways. Cable Trays. Insulation. Bearings. Couplings. Seals. Drives. Storage Batteries. Testing and Measuring.
2	Power-Distribution and Conversion.	Service Control. Protective Devices. Converting Devices.
3	Power-Application.	Illumination. Heating. Cooling. Rotating Devices. Generators. Other Activated Devices.
4	Trouble Shooting.	Circuits. Controls. Activated Devices.
5	Estimating.	Materials. Labour. Work Sequences. Other Trades Participation.
6	Canadian Electrical Code.	As related to the trade.

DOMESTIC AND RURAL ELECTRICIAN

ITEM	COLUMN 1	COLUMN 2
	Subject	Instructions to be Given
1	General Trade Practice.	Trade Tools. Trade Procedures. Layout. Conduits. Fittings. Raceways. Cable Trays. Insulation. Wire and Cable. Testing and Measuring.
2	Power Distribution and Conversion.	Service Control. Protective Devices. Converting Devices.
3	Power Application.	Illumination. Heating. Cooling. Air Conditioning. Appliances. Motors. Other Activated Devices.
4	Power Control.	Control Systems. Control Devices. Communication Systems. Measuring Devices.
5	Estimating.	Material. Labour. Work Sequences. Other Trades Participation.
6	Canadian Electrical Code.	As related to the trade.

Schedule 2

CONSTRUCTION ELECTRICIAN

ITEM	COLUMN 1	COLUMN 2
	Subject	Instructions to be Given
1	Practical.	Installations. Circuits. Circuit Protection. Controls. Electrical Devices. Device Protection. Electrical Measures. Testing. Industrial Electronics.
2	Theory.	Electrons. Magnetism. Conductors. Semi-Conductors. Insulation. Voltage. Current. Power and Energy. Resistance. Capacitance. Induction. Electrical Measures. Voltage Drop. Power Loss. Power Factors. Electronics.

MAINTENANCE ELECTRICIAN

ITEM	COLUMN 1	COLUMN 2
	Subject	Instructions to be Given
1	Practical.	Installations. Circuits. Circuit Protection. Controls. Electrical Devices. Device Protection. Electrical Measures. Maintenance. Fault Finding. Testing. Industrial Electronics.
2	Theory.	Electrons. Magnetism. Conductors. Semi-conductors. Insulation. Voltage. Current. Power and Energy. Resistance. Capacitance. Induction. Electrical Measures. Voltage Drop. Power Loss. Power Factors. Electronics. Fault Analysis.

DOMESTIC AND RURAL ELECTRICIAN

ITEM	COLUMN 1	COLUMN 2
	Subject	Instructions to be Given
1	Practical.	Installations. Circuits. Circuit Protection. Controls. Electrical Devices. Device Protection. Electrical Measures. Testing. Appliances. Appliance Maintenance. Electrical Maintenance.
2	Theory.	Electrons. Magnetism. Conductors. Semi-conductors. Insulation. Voltage. Current. Power and Energy. Resistance. Capacitance. Induction. Electrical Measures. Voltage Drop. Fault Analysis.

**THE APPRENTICESHIP AND TRADESMEN'S
QUALIFICATION ACT, 1964**

O. Reg. 272/64.

Hairdressers.

Made—October 1st, 1964.

Filed—October 7th, 1964.

**REGULATION MADE UNDER
THE APPRENTICESHIP AND TRADESMEN'S
QUALIFICATION ACT, 1964**

1. In this Regulation,

- (a) "certified trade" means the trade of a hairdresser;
- (b) "hairdresser" means a person who,
- (i) tints, bleaches or dyes hair,
 - (ii) shampoos hair and scalp,
 - (iii) gives hair or scalp treatments, facial massages or manicures,
 - (iv) cleans or dresses artificial hair pieces,
 - (v) cuts or trims hair,
 - (vi) shapes, colours, or treats eyebrows or eyelashes,
 - (vii) curls or waves hair by any means,
 - (viii) combs or brushes hair, or
 - (ix) performs any other operation with respect to dressing hair to obtain an intended effect or according to a particular style,

in a place other than a shop that holds itself out to the public as a barber shop only and who does not hold himself out to the public as a barber only.

2. The trade of a hairdresser is designated as a certified trade for the purposes of the Act.

3. An apprentice training programme is established for the certified trade and shall consist of three periods of training and instruction of 1800 hours each,

- (a) at full-time educational day classes provided at a Provincial Institute of Trades; and

- (b) in practical training and instruction provided by an employer of the apprentice,

in the courses contained in the Schedule.

4. A person shall be entitled to a credit in respect of his periods of training and instruction of two hours for each hour of instruction completed in a hairdressing school to which Ontario Regulation 273/64 applies.

5. Any person who,

- (a) applies in the prescribed form for apprenticeship in the certified trade; and
- (b) becomes an apprentice in the certified trade within three months after commencing to work in that trade,

is exempt from subsection 2 of section 10 of the Act.

6. The rate of wages for an apprentice in the certified trade, whether for his regular daily hours or for hours in excess of his regular daily hours, shall be not less than,

- (a) 40 per cent, for the first period of training and instruction;
- (b) 70 per cent, for the second period of training and instruction; and
- (c) 90 per cent, for the third period of training and instruction,

of the rate of wages or its equivalent for a journeyman employed by the same employer in the trade and with whom the apprentice is working.

7. The subjects of examination for an apprentice are the subjects set out in column 1 of the Schedule.

8. A certificate of qualification in the certified trade expires with the 30th day of April in each year.

9. No certificate of qualification in the certified trade shall be renewed unless the applicant for renewal files with his application a certificate of a duly qualified medical practitioner that the applicant is free from any communicable disease.

10. Regulations 18 and 19 of Revised Regulations of Ontario, 1960 and Ontario Regulation 160/63 are revoked.

Schedule

HAIRDRESSER

ITEM	COLUMN 1	COLUMN 2
	Subject	Instruction to be Given
1	History of hairdressing.	Original beauty techniques used by Egyptians and Romans. Reference books and their use.
2	Hygiene and personality.	Shop deportment; personal hygiene; body posture.

Schedule—Continued

ITEM	COLUMN 1	COLUMN 2
	Subject	Instruction to be Given
3	Sterilization and sanitation.	Bacteriology, including types, structural classification, movement, growth and reproduction of bacteria; preparation and use of antiseptic disinfectants; safety precautions; sanitary rules; methods of sterilization.
4	Anatomy and physiology.	Composition of skin, hair and nails and relationship to organs and system; abnormalities and remedies available to hairdresser.
5	Diseases of skin, scalp and hair.	Lesions of skin; diseases of the glands; inflammation and disorders of the eyes and eyelids; remedies available to hairdresser.
6	Electricity.	Definitions; galvanic current and sinusoidal current; high frequency current; miscellaneous electrical equipment; light therapy; ultra-violet rays; infra-red rays and visible lights. Safety standards in respect of the maintenance and operation of electrical equipment established by regulations made under <i>The Power Commission Act</i> .
7	Facial treatments.	Theory of massage and the appropriate skin treatment for dry, ageing skin, oily skin, black heads, milia, acne, and muscle toning, packs and masks; technique of massage, shaping eyebrows and make-up; preparation of equipment and handling of materials.
8	Shampoos and rinses.	Plain, pre-perm and hot oil shampoos and shampoos for bleached, dry and oily hair; how and when rinses are applied.
9	Hair tinting and bleaching.	Complete theory and study of bleaching and tinting; virgin heads and retouching; skin tests; special problems; temporary and permanent hair colouring; proper methods of application for various products; judging individual needs.
10	Scalp treatment.	Brushing technique; purpose of proper scalp manipulation; appropriate tonics, oils and ointments, for abnormal conditions of the hair and scalp.
11	Haircutting.	Scissors, razors, thinning shears, clippers; their uses on different textures of hair; dry and wet cutting; sections for cutting.
12	Finger waving.	The technique of waving the hair with a comb and the fingers of the other hand while wet. Width and depth of waves.
13	Permanent waving.	Inspection of scalp; sectioning head; blocking and winding; sizes of rods; correct solution for texture of hair and problem hair; processing and neutralizing; test curls; safety measures.
14	Hair styling.	Parting the hair; types of pin curls; plan for pin curl; artistry in hair styling; brushing and combing; finished coiffure; choice of style.
15	Manicuring.	Use of implements and materials; correct method of procedure for oil or plain manicure, including hand massage; safety measures.
16	Artificial hair pieces.	Cleaning and servicing; colouring and blending of hair pieces with customer's hair; styling, safety measures.

Schedule—Continued

ITEM	COLUMN 1	COLUMN 2
	Subject	Instructions to be Given
17	Depilatories.	When and where depilatories can be used; methods of application.
18	Chemistry.	Elements, compounds, and mixtures and functions of chemicals used in hairdressing; classification of cosmetics; kinds of soap; chemistry of water.
19	Beauty salon management.	Operators' working schedule; rendering of satisfactory services; enforcement of hygiene and sanitary rules; buying equipment and merchandise economically; keeping financial and service records; advertising.

(1340)

43

**THE APPRENTICESHIP AND TRADESMEN'S
QUALIFICATION ACT, 1964**

O. Reg. 273/64.
Hairdressing Schools.
Made—October 1st, 1964.
Filed—October 7th, 1964.

**REGULATION MADE UNDER
THE APPRENTICESHIP AND TRADESMEN'S
QUALIFICATION ACT, 1964**

1. In this Regulation, "hairdressing school" means any school, college, business institution or establishment that trains or professes to train persons for the hairdressing trade but does not include,

- (a) a hairdressing shop in which apprentices are employed; or
- (b) a school or college that is under the jurisdiction of the Department of Education.

2. No person shall operate a hairdressing school,

- (a) unless he is the holder of a licence in Form 1; and
- (b) except in accordance with the Act and this Regulation.

3.—(1) A licence to operate a hairdressing school shall be in Form 1 and the fee for a licence in Form 1 or a renewal thereof is \$50.

(2) An application for a licence to operate a hairdressing school shall be made to the Director in Form 2.

(3) The Director shall not issue a licence in Form 1 or a renewal thereof unless the prescribed fee has been paid.

(4) A licence in Form 1 expires with the 31st day of December in the year in which it is issued.

(5) An application for renewal of a licence in Form 1 shall be made to the Director not later than the 1st day of December in each year.

(6) The Director may, after a hearing, revoke or refuse to issue or renew a licence in Form 1 for any reason that he deems proper.

(7) Where the Director revokes or refuses to issue or renew a licence in Form 1, the Deputy Minister shall review the decision of the Director if the licensee or applicant for the licence applies for such review within 30 days after he receives notice of the decision or such longer period as the Deputy Minister permits, and the Deputy Minister shall confirm the decision or order the licence to be issued or reinstated.

4.—(1) No holder of a licence in Form 1 shall enroll a person as a student unless the applicant for enrolment,

- (a) is at least sixteen years of age; and
- (b) has completed Grade 10 or, in the opinion of the Director, has equivalent academic qualifications;

and unless the licensee has,

- (c) notified the Director of the proposed enrolment;
- (d) paid to the Director a fee of \$5 for the enrolment;
- (e) entered into a contract for the instruction of the applicant and filed an executed copy of the contract with the Director; and
- (f) furnished the Director with a certificate of a duly qualified medical practitioner that the applicant for enrolment is free from any communicable disease.

(2) No holder of a licence in Form 1 shall give any instruction unless he complies with subsection 1.

5.—(1) The period of training in a hairdressing school shall be at least 1200 hours unless otherwise approved in writing by the Director.

(2) Subsection 1 does not apply to a holder of a certificate of qualification in the certified trade of hairdresser.

(3) No student in a hairdressing school shall accept any remuneration or gratuity for work performed in the school.

(4) No holder of a licence in Form 1 shall require a student to perform work as a receptionist in the school for a greater number of days than the number of days that any other student in the school is required to so work.

6. A hairdressing school shall employ at least one instructor for each ten students enrolled and in attendance at the school.

7. Every instructor shall,

- (a) be the holder of a subsisting certificate of qualification in the certified trade of hairdresser for at least three years; and
- (b) be a graduate of a teacher-training course that is approved by the Director,

and no instructor shall perform any hairdressing services for a customer of the school except while he is actually demonstrating to a student or accept any remuneration or gratuity from a customer for work performed in the school.

8. Every instructor shall at least once a year and at such further times as the Director requires furnish the Director with a certificate of a duly qualified medical practitioner that the instructor is not suffering from any communicable disease.

9. No sign, placard or other advertising matter shall be used in connection with a hairdressing school unless it has been approved by the Director.

10.—(1) The premises of a hairdressing school shall be identified by a sign visible from the street, and where a hairdressing school and a hairdressing shop are operated on the same premises, they shall be separated by a solid partition reaching from the floor to the ceiling and the school shall have a separate entrance.

(2) The holder of a licence in Form 1 shall ensure that the school,

- (a) is properly equipped for teaching; and
- (b) has a total of eighty square feet of floor space for each student.

(3) Each chair in a hairdressing school shall be placed so that the centre of its base is at least 8 feet distant from the centre of the base of any other chair used for the purpose of hairdressing.

11. The premises of a hairdressing school shall be,

- (a) properly painted or papered;
- (b) properly lighted and ventilated;
- (c) supplied with an ample supply of hot and cold running water;
- (d) supplied with pure drinking water; and
- (e) kept in a clean and sanitary condition,

and the licensee shall ensure that,

- (f) any repairs required to keep the premises in a safe and habitable condition are made; and
- (g) that the cause of any effluvia arising from any defective drain or plumbing is removed and the defect is corrected.

12.—(1) The holder of a licence in Form 1 shall ensure that separate washrooms and toilet rooms for male and female persons are provided and the rooms shall,

- (a) be conveniently accessible;
- (b) have legible signs indicating for which sex the room is provided and be constructed so as to prevent a view of their facilities from outside the room and as far as practicable, prevent accidental entry into the room by a person of the opposite sex; and

(c) where separated, be adjacent and connected with a door or doorway.

(2) The holder of a licence in Form 1 shall ensure that,

- (a) a washroom contains 1 washbasin for each 15 students or fraction thereof;
- (b) a toilet room provided for male persons contains not less than 1 flush toilet and 1 urinal for each 25 male students or fraction thereof;
- (c) a toilet room provided for female persons contains not less than 1 flush toilet for each 15 female students; and
- (d) flush toilets in washrooms for female students are separated by partitions.

(3) Where the municipality in which the hairdressing school is located is not serviced by a water or sewage system and flush toilets cannot be provided, privies or other toilets satisfactory to the Director shall be provided.

13. Every student in a hairdressing school shall be given one hour for lunch.

14. Customers of a hairdressing school shall be charged only for the cost of materials used in the following operations and such charges shall not exceed the following:

i. hair dyeing.....	\$1.25
ii. permanent wave.....	1.00
iii. cold wave permanent.....	2.65
iv. shampoo.....	.10
v. facial.....	.15
vi. scalp treatment.....	.15
vii. manicure.....	.10
viii. rinse.....	.10
ix. marcel.....	.10
x. finger wave.....	.10
xi. any other service.....	.05

15. No training or instruction shall be given in a hairdressing school,

- (a) on a Saturday or a holiday; and
- (b) before 9.00 a.m. or after 6.00 p.m. on any other day.

16. Every student and instructor shall wear in a hairdressing school a clean light-coloured coat or smock of washable material.

17. Every student and every instructor shall thoroughly clean his hands immediately before attending to a customer.

18.—(1) All combs, clippers, scissors, shaving brushes, razors, tweezers, blackhead removers, finger bowls, files, pushers, buffers, and all massage and scalp applicators and other instruments shall be thoroughly cleaned and sterilized by immersion in boiling water, or in a suitable antiseptic solution, immediately before each use and instruments that cannot be so treated shall not be used.

(2) All hairbrushes shall be immersed in a strong antiseptic solution, rinsed in clear water and dried with a clean towel or by heat, before being used on a customer.

19. For shampooing and shaving purposes, lather shall be made only from powdered or liquid soap or from shaving cream or other preparations contained in tubes and, if the lather is prepared in a shaving mug, the mug shall be thoroughly cleansed before each use.

20.—(1) A clean towel shall be placed on the headrest of every chair used for the purpose of hairdressing and a fresh, clean towel shall be used for each customer.

(2) A fresh clean neck band or towel shall be placed around the neck of each customer immediately under the hair-cloth.

(3) Each towel or steamer used shall be fresh and clean.

(4) A fresh, clean insert for each customer shall be used with a steamer cap or machine.

21. Hair cloths and all other linen used in a hairdressing school shall be kept clean and freshly laundered.

22. No caustic or styptic pencil shall be used on a customer and no alum or other astringent shall be applied except in powder or liquid form.

23. No powder puff or sponge shall be used, but fresh, sterilized cotton wadding shall be used in lieu thereof for each customer.

24. No hairdressing shall be performed on a customer where a rash is present on the surface to be treated or the surface is inflamed.

25.—(1) No hairdressing school shall be used for purposes of eating or sleeping.

(2) No sink or basin used for domestic purposes shall be used in conjunction with any hairdressing school.

26.—(1) No food or soft drink shall be offered for sale or sold on the premises of a hairdressing school.

(2) The holder of a licence in Form 1 shall set aside a room that is to be used solely for eating purposes and shall ensure that the room is kept in a clean and sanitary condition.

(3) No person shall consume food or drink in a hairdressing school except in the room set aside for eating purposes.

27. Regulation 20 of Revised Regulations of Ontario, 1960 is revoked.

Form 1

The Apprenticeship and Tradesmen's Qualification Act, 1964

LICENCE TO OPERATE A HAIRDRESSING SCHOOL

Under *The Apprenticeship and Tradesmen's Qualification Act, 1964* and the regulations, and subject to the limitations thereof, this licence is issued to

.....
(name)

of.....

.....
(address)

to operate a hairdressing school under the name:

.....

This licence expires with the....day of.....,

19....

Dated at Toronto, this.... day of....., 19....

.....
(signature of issuer)

Form 2

The Apprenticeship and Tradesmen's Qualification Act, 1964

APPLICATION FOR LICENCE TO OPERATE A HAIRDRESSING SCHOOL

To: Director,
Apprenticeship Branch,
Department of Labour,
Toronto, Ontario.

.....
(name)

.....

.....
(address)

hereby makes application for a licence to operate a hairdressing school under the name:

.....

at.....
(address of school)

Dated this....day of....., 19....

.....
(signature of applicant)

**THE APPRENTICESHIP AND TRADESMEN'S
QUALIFICATION ACT, 1964**

O. Reg. 274/64.
Motor Vehicle Repairers.
Made—October 1st, 1964.
Filed—October 7th, 1964.

**REGULATION MADE UNDER
THE APPRENTICESHIP AND TRADESMEN'S
QUALIFICATION ACT, 1964**

1. In this Regulation,

- (a) "certified trade" means the trade of a motor vehicle repairer;
- (b) "motor vehicle" means a vehicle propelled by an internal combustion engine, or operated or controlled from a vehicle propelled by an internal combustion engine, but does not include a vehicle,
- (i) operated on rails,
- (ii) used for transportation solely within an employer's actual place of business,
- (iii) used for farming operations but not used for carrying a load, or
- (iv) used in the construction, erection, repair, remodelling, or alteration, of the whole or any part of a building, road or structure, whether above or below the surface of the earth, but not used for carrying a load;
- (c) "motor vehicle repairer" means a person who is engaged in the repair and maintenance of motor vehicles other than by,
- (i) supplying motor vehicles with gasoline, oil, water or air,
- (ii) repairing or changing tires,
- (iii) changing oil in motor vehicles or lubricating motor vehicles including lubricating the front wheel bearings and drive shaft,
- (iv) selling or installing motor-vehicle accessories including blades and arms of wind-shield wipers, rear-view mirrors and thermostats,
- (v) supplying motor vehicles with anti-freezing solutions,
- (vi) replacing cooling-system hoses, engine-driven belts, sealed beam lights, light bulbs, lenses, fuses, mufflers, tail pipes, or exhaust pipes,
- (vii) cleaning or replacing spark plugs,
- (viii) installing new or rental batteries or battery cables, or recharging batteries,
- (ix) washing, cleaning, or polishing, motor vehicles, or
- (x) balancing wheels and tires.

2.—(1) The certified trade is composed of branches A, B and C.

- (2) Branch A is the trade of a motor mechanic.
- (3) Branch B is the trade of a body repairer.

(4) Branch C is the trade of an electrical system repairer and fuel system repairer.

3.—(1) A motor mechanic is a motor vehicle repairer who,

- (a) dis-assembles, adjusts, repairs, and re-assembles, engines, transmissions, clutches, rear ends, differentials, brakes and other assemblies;
- (b) tests for and corrects faulty alignment of wheels, axles and steering mechanisms;
- (c) replaces worn or broken parts;
- (d) grinds valves; or
- (e) lubricates parts requiring lubrication.

(2) A body repairer is a motor vehicle repairer who,

- (a) hammers out dents in body or fenders;
- (b) files, grinds, sands or solders any dented, damaged, or welded area;
- (c) by the application of heat, shrinks or stretches metal;
- (d) welds breaks in body;
- (e) installs or repairs upholstery, trimming, hardware, locks or attachments;
- (f) paints or glazes; or
- (g) tests for and corrects faulty alignment of frames.

(3) An electrical system repairer and fuel system repairer is a motor vehicle repairer who,

- (a) repairs and installs ignition systems, generators, starters, coils, panel instruments, wiring, and any other electrical system and electrical equipment;
- (b) repairs and adjusts carburettors;
- (c) cleans and repairs air filters of carburettors and fuel pumps; or
- (d) does a complete tune-up of an engine.

4. The trade of a motor vehicle repairer is designated as a certified trade for the purposes of the Act.

5. An apprentice training programme for the certified trade is established and shall consist of training and instruction,

- (a) at full-time educational day classes provided at a Provincial Institute of Trades,
- (i) for Branch A and C of the certified trade, in the courses contained in parts 1 and 2 of Schedule 1; and
- (ii) for Branch B of the certified trade, in the courses contained in parts 3 and 4 of Schedule 1; and
- (b) in practical training and instruction provided by an employer of the apprentice in Branch A, B and C in the courses contained in parts 1, 2 and 3 respectively of Schedule 2.

6.—(1) Subject to subsections 2 and 3, an apprentice,

- (a) in Branch A shall complete five periods of training and instruction; and

(b) in Branches B and C shall complete four periods of training and instruction.

(2) Where the apprentice in Branch A or C is the holder of a Secondary School Graduation Diploma for Auto Mechanics, General, he shall complete three periods of training and instruction.

(3) Where the apprentice in Branch B is the holder of a Secondary School Graduation Diploma for Auto Mechanics, Body Repair, he shall complete three periods of training and instruction.

7. A person who is employed to perform services to motor vehicles in a place that holds itself out to the public as a garage or service station and who performs work in Branch A, B or C in an emergency for the immediate and temporary operation of a motor vehicle while he does not hold a certificate of qualification for the work and no person holding the appropriate certificate of qualification is available is exempt from subsection 2 of section 10 of the Act.

8. Any person who,

- (a) applies in the prescribed form for apprenticeship in the certified trade; and
- (b) becomes an apprentice in the certified trade within three months after commencing to work in that trade,

is exempt from subsection 2 of section 10 of the Act.

9.—(1) Subject to subsection 2, the rate of wages for an apprentice in any branch of the certified trade, whether for his regular daily hours or for hours in excess of his regular daily hours, shall be not less than,

- (a) 50 per cent during the first period of training and instruction;
- (b) 60 per cent during the second period of training and instruction;
- (c) 70 per cent during the third period of training and instruction;
- (d) 80 per cent during the fourth period of training and instruction; and
- (e) 90 per cent during the fifth period of training and instruction, where applicable,

of the rate of wages or its equivalent for a journeyman employed by the same employer in the same branch of the trade and with whom the apprentice is working.

(2) The rate of wages for an apprentice,

- (a) in Branch A or C of the certified trade to whom subsection 2 of section 6 applies; and
- (b) in Branch B of the certified trade to whom subsection 3 of section 6 applies,

whether for his regular daily hours or for hours in excess of his regular daily hours shall be not less than,

- (c) 70 per cent during the first period of training and instruction;
- (d) 80 per cent during the second period of training and instruction; and
- (e) 90 per cent during the third period of training and instruction,

of the rate of wages or its equivalent for a journeyman employed by the same employer in the same branch of the trade and with whom the apprentice is working.

10. The subjects of examination for an apprentice,

- (a) in Branch A of the certified trade are the subjects set out in column 1 of parts 1 and 2 of Schedule 1 and the subjects set out in column 1 of part 1 of Schedule 2;
- (b) in Branch B of the certified trade are the subjects set out in column 1 of part 3 of Schedule 1 and the subjects set out in column 1 of part 2 of Schedule 2; and
- (c) in Branch C of the certified trade are the subjects set out in column 1 of parts 1 and 2 of Schedule 1 and the subjects set out in column 1 of part 3 of Schedule 2.

11. A certificate of qualification expires with the 31st day of October in each year.

12. Regulations 23 and 24 of Revised Regulations of Ontario, 1960 and Ontario Regulation 182/62 are revoked.

Schedule 1

MOTOR VEHICLE REPAIRER

PART 1

Branches A and C

ITEM	COLUMN 1	COLUMN 2	COLUMN 3
	Subject Matter	Instruction In	Skills for Apprentices
1	Front axle, and steering.	Ackerman principle of steering. Steering geometry. Elliot type and reverse-Elliot type of steering.	Types of front axle: I beam; tubular; independent suspension. Wheel balance: static and dynamic types. Steering alignment: castor; camber; toe-in; king-pin inclination; king-pin fitting; reaming and honing bushings. Types of steering gears; worm and roller; split-nut; cam and lever; recirculating ball.

Schedule 1—Continued

ITEM	COLUMN 1	COLUMN 2	COLUMN 3
	Subject Matter	Instruction In	Skills For Apprentices
2	Rear-axle assembly.	Torque and horse-power related to work. Methods of drive. Operation of differential. Gear ratios. Lubricants. Types of bearings.	Construction and design. Plain-bevel gear; spur gear; spiral-bevel gear; hypoid-curve gear. Differential: axle shafts, or semi-floating. Torque-tube drive; hotchkiss drive. Universal joints. Riveting; checking for run-out, clearances, back lash, and alignment.
3	Clutch.	Friction characteristics.	Relining; adjustments; pressure-plates.
4	Brakes.	Principles of hydraulics. Energy overcome by friction; dissipation of heat resulting from friction. Static friction and kinetic friction. Coefficient of friction. Adhesion or rolling friction.	Master cylinder; wheel cylinders. Valves, piston, rubber cups, and honing of cylinders. Primary and secondary shoes. Relining, riveting, adjusting, bleeding, and centralizing. Mechanical brakes: levers, cables, shafts, and rods. Air-operated brakes. Electrically operated brakes: solenoids or electro-magnets.
5	Transmission.	Velocity ratios. Gear reduction. Direction of rotation. Types of bearings. Leverage. Torque.	Construction and operation. Gear ratios. Path of power. Spur gears, helical gears, herringbone gears, idler gears, and synchromesh gears. Use of soft-drifts, and bearing pullers. Selectors: manual, automatic, and electro-vacuum shift.
6	Cooling system.	Radiation, conduction, and convection. Operating temperatures. Antifreeze.	Radiators; water jackets; directional tubes. Thermostats; water pumps. Fans.
7	Engine.	Principals and operation of internal-combustion engines. Fire hazards. Micrometers; cylinder gauges. Forces of vacuum. Compression pressures. Expansion by heat pressure. Horsepower, Society of American Engineers formula (S.A.E.). Inertia; momentum. Piston displacement. Energy: potential energy; kinetic energy. Turbulence; detonation. Relation of reciprocating motion to rotary motion. Dissipation of friction and heat by oil.	Names of all parts, and the functions thereof. Dismantling sequence, and the correct use of tools therefor. Care and disposition of parts in dismantling. Washing of parts; disposal of waste. Examination of moving parts for wear. Pistons: purpose, design, and clearance. Piston-pins: types, and locking devices. Valves: function, refacing, reseating, lapping, adjusting clearances, and lifters. Replacing valve guides, valve springs, and tappet screws. Crank shaft: main bearings; connecting rod bearings; oil clearances; line-boring; fitting; connecting rod aligning. Cam-shaft: bearings, timing gears, and timing chains. Valve timing. Piston rings: purpose and fitting. Methods of oil control. Lubrication: oil pumps, and oil filters. Oil-seals and gaskets. Torque-wrench in rebuilding.
8	Electrical system.	Chemical source of electrical energy. Cause of sulphation. Effect of extreme temperature. High resistance. High and low tension. Ohm's law.	Storage batteries: principles of construction and operation; charging-rates; servicing; electrolytic test; specific gravity; low-voltage test; high-rate discharge test. Conductors: use of cables, wires, and ground-straps; copper terminals, and soldering wires thereon; insulation.

Schedule 1—Continued

ITEM	COLUMN 1 Subject Matter	COLUMN 2 Instruction In	COLUMN 3 Skills for Apprentices
		Mechanical factors controlling firing-orders. Relation of secondary winding to primary winding in a coil. Reason for and location of safety gap in a coil. Momentary storage of induced flow in the primary circuit.	Principles of electricity and magnetism: forms and kind of electricity; characteristics of current flow. Magnetism: electro-magnetism, and electro-magnetic induction. Electrical circuits and units for motor vehicles. Circuits: series; parallel; shunt. Ignition circuit: construction and operation of coil, condenser, breaker-points, distributor, and spark plugs. Ignition timing. Use of instruments in testing; trouble shooting. Timing-light. Determining spark plug failure, and heat-ranges. Attaching terminals to high-tension and low-tension wires.
9	Starter circuit.	Voltage loss. Amount of current-draw. Relation of electrical energy to mechanical energy. Ring gear, and the mechanical advantage thereof.	Construction and operating of a starting-motor. Starter switch: solenoid. Replacing brushes: service tests. Bendix drive. Over-running clutch.
10	Generator circuit.	Relation of mechanical energy to electrical energy.	Construction and operation of a generator. Cut-out relay, voltage regulator, current regulator, and the regulation and servicing thereof. Truing and undercutting commutator. Use of growler and ampere voltage regulator.
11	Lighting circuit.	Current-carrying capacity of conductors.	Fuses, switches, and wiring diagrams. Horn circuit; gas gauge; accessories. Light relays and horn relays. Tracing for short-circuits, grounds, leaks, high resistance, and faulty connections. Use of test lamp.
12	Fuel system.	Forces of vacuum. Natural laws and principles of carburetting. Vaporization. Methods of atomizing gasoline. Fuel ratios. Efficient combustion. Monoxide gas. Safety measures to be rigidly enforced.	Carburetting: operation of carburettor circuits. Purpose of low-speed and high-speed circuits, and pump-circuits and float-circuits. Types of Venturi equipment: velocity of air through Venturi tubes. Dismantling and rebuilding carburetors. Replacing jets and gaskets. Checking float-levels, needle valves, and seats. Air cleaners. Manual and automatic chokes. Manifold heat-control. Fuel-pump: construction and operation. Linkage, sediment bowl, and strainer. Testing of pressure and vacuum. Causes and cures of vapour-locks. Test the action of valves and springs. Test for deterioration of diaphragms. Cutting and flaring copper pipe, use of solderless connectors. Gas-tank: general construction and arrangement of gas tank and gas lines. Reason for baffles; position of baffles. Precautions in soldering. Maintenance: oil changing; flushing of engine, transmission, and differential. Repacking universal joints. Greasing. Tires: proper pressure; servicing.

Schedule 1—Continued

PART 2

Branches A and C

ITEM	COLUMN 1	COLUMN 2	COLUMN 3
	Subject Matter	Instruction In	Skills For Apprentices
1	Front axle and steering.	A review of item 1 of Part 1 of this Schedule. Checking angles of steering by use of gauges. Replacement of worn parts.	
2	Rear axle.	Review item 2 of Part 1 of this Schedule.	Dual-purpose axle assembly.
3	Clutch.	Review item 3 of Part 1 of this Schedule. Friction. Energy; potential energy. Inertia; momentum.	Adjustments, replacements, pressure-plates, fluid drive.
4	Brakes.	Review item 4 of Part 1 of this Schedule.	Honing of brake cylinder. Servicing, reconditioning, master cylinder, wheel cylinders, relining, centralizing, use of drum lathe and shoe grinder.
5	Transmission.	Leverage. Tongue. Vacuum.	Syncro-mesh, overdrive, "hydramatic", and vacuum-assist. Repair and assembly procedure of a transmission. Use of precision tools and gauges. Adjustment of linkage.
6	Engine.	Monoxide gas. Safety measures. Mathematics. Expansion. Turbulence. Detonation. Business English. Study of manufacturers' specifications. Trade and technical information sheets. Trade journals.	Review of fundamentals of internal-combustion engines. Checking wear of all moving parts. Use of precision tools and gauges. Cylinder honing. Clearances of pistons. Methods of expanding pistons. Piston ring oil-control. Micrometer gauges, Ames gauge, dial-indicator. The honing of bushings and the fitting of piston-pins. Oil-clearance. Line-boring bar. Rebuilding to manufacturers' specifications. Ridge-reamer. Cylinder-boring bar.
7	Ignition and electrical systems.	Automotive-electricity magnetism. Ohm's law. Voltage loss. Current draw. Carburetting. Vaporization. Atomizing gasoline. Efficient combustion.	Testing of coil and condenser. Use of "distrib-U-scope". Use of an ampere voltage-regulator in checking a generator and testing a regulator. Mica undercutting by means of armature lathe and attachments. Distributor rebuilding. Spark plug testing: heat ranges. Wiring diagrams. Tracing for short-circuits, grounds and leaks.
8	Carburetting.		Operation of carburettor circuits. Dismantling and replacing jets, valves, and gaskets. Checking float levels, pump strokes, and metering rods. Manual and automatic chokes.
9	Fuel-pump.		Checking linkage, pressure and vacuum readings. Testing the action of valves, springs, and diaphragms. Causes and cures of vapour-locks.
10	Tune-up procedure.		Following manufacturers' specifications. Use of hydrometer, voltage tester, high-rate discharge-tester, compression gauge, vacuum gauge, spark-plug tester, "syncroscope", ampere voltage-regulator, and combustion analyzer.

Schedule 1—Continued

PART 3

Branch B

ITEM	COLUMN 1	COLUMN 2	COLUMN 3
	Subject Matter	Instruction In	Skills for Apprentices
1	Tools.	Types of dollies, body spoons, bumping hammers, and body files.	Use of dollies, body spoons, bumping hammers, body files, hydraulic body jacks, mechanical body jacks, air hammers, and electric sanders.
2	Chassis.	Metals and other materials used in automobile construction and repairs. Gauge of metal. Manufacture of sheet-metal sheets and stampings. Work-hardened areas caused by stamping. Methods of shrinking and stretching metal. Heat-distortion of metal. Reaction of metal to an impact. Paths followed by force of impact.	Hood: panels, hinges, grilles, mouldings, and ornaments. Engine side-pans. Front fenders, grilles, skirts, braces, running-boards, mouldings, hangers, rear fenders, stone-shield, and wheel-shield. Shrinking or stretching metal by the process of heating. How to hammer metal without stretching it. Estimating the gauge of metal. Recognizing work-hardened areas created by shape of panel. Recognizing distortion due to damage from impact. Recognizing simple displacement due to damage from impact. Lining up of hood, radiator shell, fenders and bodies. Welding of wire to support edge of fender. Use of solder. Roughing, bumping and finishing of metal.
3	Welding.	Safety precautions. Function of the parts of welding equipment. Different flames and their composition. When to braze. When to weld. Fluxes and their uses.	Safety precautions. Regulating an acetylene gauge and an oxygen gauge. Welding of light-gauge steel and medium-gauge steel. Use of fluxes in welding or brazing. Brazing of steel and cast iron. Cutting of steel and cast iron. Welding of white metals.
4	Soldering.	Physical properties of common solder-metals. Purpose of and reaction to soldering-fluxes on common metals. Chemical composition of fluxes. Muriatic acid, sal ammoniac, and soldering paste. Precautions in using gasoline.	Precautions in use of gasoline torch. Tinning a soldering iron. Preparation of metals for soldering. Use of muriatic acid. Preparing of zinc chloride. Fusing of solder with metal.
5	Body units.	Properties of materials. Ductility, work-hardening, malleability, toughness, and elasticity of metal.	Repairing of roof panels, rails, bows, inner panels, and chrome-plated strips, mouldings, windshield pillars, cowl, lower and upper panels, ventilators, centre pillars, rear-quarter panel, rear-end panel, door-rocker panel, still-plates, floor-pan, rear floor-pan, end-pan, pan-shelf, locks, hinges, handles, and seals. Shrinking and stretching of metals. Judging the severity of an impact by the condition of damaged area of automobile. Relating damage in adjoining parts to impact area. Recognizing effect of impact on other parts. Determining the procedure in repairing. Aligning, roughing, bumping, sanding, and metal-finishing.

Schedule 1—Continued

PART 4

Branch B

ITEM	COLUMN 1	COLUMN 2	COLUMN 3
	Subject Matter	Instruction In	Skills for Apprentices
1	Wheel alignment.	Different methods of testing angles of steering. Correcting each angle. Testing the steering on a road to ascertain defects.	The 5 angles of steering, and the purpose of each. How to test angles. Effect of accidents on angles of steering; wear on tires, hard steering, wandering, pulling to right or left.
2	Frame straightening.	Testing a frame to determine bends. Simple straightening at the horn of the frame.	Simple method of checking a frame to determine bends. Straightening a frame bent at the horn of the frame.
3	Painting.	Different types of lacquers and synthetic enamels. Code numbers of paint and their relation to colour. Primer coat: the reason for it and how to use it. Kinds of tinting-colours to keep in stock. How to determine colours of surfaces to be painted. Proper number of coats of paint to apply.	Use of air compressor and how to lubricate it. Use and care of pressure gauges, air-hose fittings, and spray-gun. Proper handling of spray-gun, and proper distance to hold it from surface to be painted. How to determine the correct fan or spray. Sanding down and cleaning of surface to be painted. Preparing of repaired parts for painting. Cleaning and feather-edging of paint before re-painting. Use of primer coat and filler coat. Determining number of coats of paint to apply. Maintaining air pressure on a spray-gun. Density of lacquer or enamel to be sprayed. Maintaining correct flow from spray-gun. Spraying in a smooth and even manner. Rubbing out and polishing surfaces after painting them.

Schedule 2

MOTOR VEHICLE REPAIRER

PART 1

Branch A

ITEM	COLUMN 1	COLUMN 2	COLUMN 3
	Subject Matter	Instruction In	Skills for Apprentices
1	Chassis.		Frame: checking, straightening and alignment of frames; replacing parts of frame; simple welding, heating and riveting. Shock absorbers: testing, removing and replacing shock absorbers and shock linkage; general shock-absorber service; use of proper fluids and lubricants. Springs: removing and replacing springs; attaching parts of springs; dis-assembling and assembling leaf-springs; replacing spring-covers; adjusting shackles.

Schedule 2—Continued

ITEM	COLUMN 1	COLUMN 2	COLUMN 3
	Subject Matter	Instruction In	Skills for Apprentices
2	Front axle, and steering.		Types of front axle: I beam; tubular; independent suspension. Wheel balance; static and dynamic types. Steering alignment; castor; camber; toe-in; king-pin inclination; king-pin fitting; reaming and honing bushings. Types of steering gears: worm and roller; split-nut; cam and lever; recirculating ball. Replacement of wheels, spindles, knuckle-parts, pivot-pins and bushings, control arms, springs and any major front-suspension parts.
3	Rear axle assembly.	Methods of drive. Operation of differential. Gear ratios. Lubricants. Types of bearings.	Construction and design. Plain-bevel gear; spur-gear; spiral-bevel gear; hypoid-curve gear. Differential: axle-shafts, or semi-floating. Torque-tube drive; hotchkiss drive. Universal joints. Riveting; checking for run-out clearances, back lash, and alignment. Removing, cleaning and inspecting all parts of rear axle assembly. Replacing, adjusting and assembling rear axle parts; servicing and replacing universal joints and drive shaft parts, and setting up and reading dial indicator.
4	Clutch.	Friction characteristics.	Inspecting and removing clutch; internal inspection; replacing and adjusting parts of clutch; replacing throw-out bearing; lining replacements, and checking engine-mountings.
5	Brakes.		Master cylinder; wheel cylinders. Valves, pistons, rubber cups, and honing of cylinders. Primary and secondary shoes. Relining, riveting, adjusting, bleeding, and centralizing. Mechanical brakes: levers, cables, shafts, and rods. Air-operated brakes. Electrically operated brakes: solenoids or electro-magnets. Adjusting mechanism of foot-brake and parking-brake; truing up brake drums.
6	Transmission.		Construction and operation. Gear ratios. Path of power. Spur gears, helical gears, herringbone gears, idler gears, and syncro-mesh gears. Use of soft-drifts, and bearing-pullers. Selectors; manual, automatic, and electro-vacuum shift. Testing for transmission troubles; removing; disassembling; repairing and rebuilding all types of transmissions; removing, replacing and adjusting gear-shift mechanism; testing for correct operation of transmissions.
7	Cooling system.	Radiation, conduction, and convection. Operating temperatures. Antifreeze.	Removing, testing, repairing and replacing radiator and hose, water pump, fan belt and thermostat; cleaning system by reverse flush; checking and repairing it for antifreeze; operation and testing of cooling system.

Schedule 2—Continued

ITEM	COLUMN 1	COLUMN 2	COLUMN 3
	Subject Matter	Instruction In	Skills for Apprentices
8	Engine.	Principles and operation of internal-combustion engines. Fire hazards. Micrometers; cylinder gauges. Forces of vacuum. Compression pressures. Monoxide gas, safety measures; study of manufacturers' specifications.	Names of all parts, and the functions thereof. Dismantling sequence, and the correct use of tools therefor. Care and disposition of parts in dismantling. Washing of parts; disposal of waste. Examination of moving parts for wear. Pistons: purpose, design, and clearance. Piston-pins: types, and locking-devices. Valves: function, re-facing, re-seating, lapping, adjusting clearances, and lifters. Replacing valve guides, valve springs, and tappet screws. Crank-shaft: main bearings; connecting rod bearings; oil clearances; line boring; fitting; connecting rod aligning. Cam-shaft: bearings, timing gears, and timing chains. Valve timing. Piston rings: purpose and fitting. Methods of oil control. Lubrication: Oil pumps, and oil filters. Oil seals, and gaskets. Torque-wrench in rebuilding. Servicing manifolds, gaskets and heat controls. Rebuilding to manufacturers' specifications.
9	Electrical system.	Chemical source of electrical energy. Causes of sulphation. Effect of extreme temperatures. High resistance. High and low tension. Ohm's law. Mechanical factors controlling firing-orders. Relation of secondary winding to primary winding in a coil. Reason for and location of safety-gap in a coil. Momentary storage of induced flow in the primary circuit.	Storage batteries: principles of construction and operation; charging rates; servicing; electrolytic test; specific gravity; low-voltage test; high-rate discharge test. Conductors: use of cables, wires and ground straps; copper terminals, and soldering wires thereon; insulation. Principles of electricity and magnetism: forms and kinds of electricity; characteristics of current flow. Magnetism: electro-magnetism, and electro-magnetic induction. Electrical circuits and units for motor vehicles. Circuits: series, parallel; shunt. Ignition circuit: construction and operation of coil, condenser, breaker points, distributor, and spark-plugs. Ignition timing. Use of instruments in testing; trouble-shooting. Timing light. Determining spark plug failure, and heat ranges. Attaching terminals to high-tension and low-tension wires.
10	Starter circuit.	Voltage loss. Amount of current-draw. Relation of electrical energy to mechanical energy. Ring gear, and the mechanical advantage thereof.	Construction, operation, and recondition, of a starting motor. Starter switch: solenoid. Replacing brushes: service tests. Bendix drive. Over-running clutch.
11	Generator circuit.	Relation of mechanical energy to electrical energy.	Construction and operation of a generator. Cut-out relay, voltage regulator, current-regulator, and the regulation and servicing thereof. Truing and undercutting commutator. Use of growler and ampere voltage regulator.

Schedule 2—Continued

ITEM	COLUMN 1	COLUMN 2	COLUMN 3
	Subject Matter	Instruction In	Skills for Apprentices
12	Lighting circuit.	Current-carrying capacity of conductors.	Fuses, switches, and wiring diagrams. Horn circuit; gas gauge; accessories. Light-relays and horn-relays. Tracing for short-circuits, grounds, leaks, high resistance, and faulty connections. Use of test lamp. Aiming and focusing headlights and replacing light-bulbs.
13	Fuel system.		Carburetting: operation of carburettor circuits. Purpose of low-speed and high-speed circuits, and pump-circuits. Types of Venturi equipment: velocity of air through Venturi tubes. Dismantling and rebuilding carburetors. Replacing jets and gaskets. Checking float levels, needle valves, and seats. Air cleaners. Manual and automatic chokes. Manifold heat-control. Fuel pump: construction and operation. Linkage, sediment-bowl, and strainer. Testing of pressure and vacuum. Causes and cures of vapour locks. Test the action of valves and springs. Test for deterioration of diaphragms. Cutting and flaring copper pipe, use of solderless connectors. Gas tank: general construction and arrangement of gas tank and gas lines. Reason for baffles; position of baffles. Precautions in soldering. Checking and replacing fuel gauge systems. Maintenance: oil changing; flushing of engine, transmission, and differential. Repacking universal joints. Greasing. Tires: proper pressure; servicing.
14	Tune-up procedure.		Following manufacturers' specifications. Use of hydrometer, voltage tester, high-rate discharge tester, compression gauge, vacuum gauge, spark plug tester, "syncroscope", ampere voltage regulator, and combustion analyzer.
15	Tires.		Mounting and dismantling tires; vulcanizing tubes and making simple repairs to tire casings; rotating tires.
16	Lubrication.		Use of the various types of lubricants.
17	Shop work.	Stock-room and tool crib. Parts, and their identification and functions.	
18	Tools and equipment.		Use and care of all appropriate hand tools, test equipment and shop equipment.

Schedule 2—Continued
MOTOR VEHICLE REPAIRER

PART 2

Branch B

ITEM	COLUMN 1	COLUMN 2	COLUMN 3
	Subject Matter	Instruction In	Skills for Apprentices
1	Tools.	Types of dollies, body spoons, bumping hammers, and body files.	Use of dollies, body spoons, bumping hammers, body files, hydraulic body jacks, mechanical body jacks, air hammers, and electric sanders.
2	Chassis.	Metals and other materials used in automobile construction and repairs. Gauge of metal. Manufacture of sheet-metal sheets and stampings. Work-hardened areas caused by stamping. Methods of shrinking and stretching metal. Heat-distortion of metal. Reaction of metal to an impact. Paths followed by force of impact.	Roughing, bumping, sanding, finishing, of the following: (a) hood: panels, hinges, grilles, mouldings, and ornaments, (b) engine side-pans, and (c) front fenders, grilles, skirts, braces, running-boards, mouldings, hangers, rear fenders, stone-shield, and wheel-shield. Shrinking or stretching metal by the process of heating. How to hammer metal without stretching it. Estimating the gauge of metal. Recognizing work-hardened areas created by shape of panel. Recognizing distortion due to damage from impact. Recognizing simple displacement due to damage from impact. Lining-up of hood, radiator-shell, fenders and bodies. Welding of wire to support edge of fender. Use of solder.
3	Welding.	Safety precautions. Function of the parts of welding-equipment. Different flames and their composition. When to braze. When to weld. Fluxes and their uses.	Safety precautions. Regulating an acetylene gauge and an oxygen gauge. Welding of light-gauge steel and medium-gauge steel. Use of fluxes in welding or brazing. Brazing of steel and cast iron. Cutting of steel and cast iron. Welding of white metals. Use of arc-welding equipment.
4	Soldering.	Physical properties of common solder-metals. Purpose of and reaction to soldering-fluxes on common-metals. Chemical composition of fluxes. Muriatic acid, sal ammoniac, and soldering paste. Precautions in using gasoline.	Precautions in use of gasoline-torch. Tinning a soldering iron. Preparation of metals for soldering. Use of muriatic acid. Preparing of zinc chloride. Fusing of solder with metal. Metal-filling.
5	Body units.	Properties of materials. Ductility, work-hardening, malleability, toughness, and elasticity of metal.	Repairing of roof panels, rails, bows, inner panels, and chrome-plated strips, mouldings, windshield pillars, cowl, lower and upper panels, ventilators, centre pillars, rear-quarter panel, rear-end panel, door-rocker panel, door-fittings, still-plates, floor-pan, rear floor-pan, end-pan, pan-shelf, locks, hinges, handles, and seals. Shrinking and stretching of metals. Judging the severity of an impact by the condition of damaged area of automobile. Relating damage in adjoining parts to impact area. Recognizing effect of impact on other parts. Determining the procedure in repairing. Aligning body, fenders, hood and radiator-shell. Roughing, bumping, sanding, and metal finishing.

Schedule 2—Continued

ITEM	COLUMN 1	COLUMN 2	COLUMN 3
	Subject Matter	Instruction In	Skills for Apprentices
6	Wheel alignment.	Different methods of testing angles of steering. Correcting each angle. Testing the steering on a road to ascertain defects.	The 5 angles of steering, and the purpose of each. How to test angles. Effect of accidents on angles of steering: wear on tires, hard steering, wandering, pulling to right or left.
7	Frame straightening.	Testing a frame to determine bends. Simple straightening at the horn of the frame.	Simple method of checking a frame to determine bends. Straightening a frame bent at the horn of the frame.
8	Painting.	Different types of lacquers and synthetic enamels. Code numbers of paint and their relation to colour. Primer-coat; the reason for it and how to use it. Kinds of tinting-colours to keep in stock. How to determine colours of surfaces to be painted. Proper number of coats of paint to apply.	Use of air compressor and how to lubricate it. Use and care of pressure gauges, air hose fittings, and spray-gun. Proper handling of spray-gun, and proper distance to hold it from surface to be painted. How to determine the correct fan or spray. Sanding down and cleaning of surface to be painted. Preparing of repaired parts for painting. Cleaning and feather-edging of paint before re-painting. Use of primer coat and filler coat. Determining number of coats of paint to apply. Maintaining air pressure on a spray-gun. Density of lacquer or enamel to be sprayed. Maintaining correct flow from spray-gun. Spraying in a smooth and even manner. Rubbing out and polishing surfaces after painting them. Mixing of paint. Stripping. Spot repairs. Rust preventives.
9	Upholstery.		Removing and replacing body upholstery. Making up trim panels. Repairing tears in head lining and trimming panels and seats.
10	Glass and hardware.		Removal, repair, and replacement, of body-locks, remote controls, window regulators, deck hinges and hood hinges, door checks, and any other similar attachments. Replacing of glass. Final door fitting and sealing cements.

PART 3

Branch C

ITEM	COLUMN 1	COLUMN 2	COLUMN 3
	Subject Matter	Instruction In	Skills for Apprentices
1	Electrical system.	Chemical source of electrical energy. Causes of sulphation. Effect of extreme temperatures. High resistance. High and low tension. Ohm's law.	Storage batteries: principles of construction and operation; charging rates; servicing; electrolytic test; specific gravity; low-voltage test; high-rate discharge test. Conductors: use of cables, wires, and ground straps; copper terminals, and soldering wires thereon; insulation. Principles of electricity and magnetism: forms and kinds of electricity; characteristics of current flow. Magnetism: electro-magnetism, and electro-magnetic induction. Electrical circuits and units for motor vehicles.

Schedule 2—Continued

ITEM	COLUMN 1	COLUMN 2	COLUMN 3
	Subject Matter	Instruction In	Skills for Apprentices
		Mechanical factors controlling firing-orders. Relation of secondary winding to primary winding in a coil. Reason for and location of safety-gap in a coil. Momentary storage of induced flow in the primary circuit.	Circuits: series; parallel; shunt. Ignition circuit: construction and operation of coil, condenser, breaker-points, distributor, and spark-plugs. Ignition timing. Use of instruments in testing; trouble shooting. Timing light. Determining spark plug failure, and heat ranges. Attaching terminals to high-tension wires and low-tension wires.
2	Starter circuit.	Voltage loss. Amount of current-draw. Relation of electrical energy to mechanical energy. Ring gear and the mechanical advantage thereof.	Construction, operation, and recondition, of a starting motor. Starter switch: solenoid. Replacing brushes: service tests. Bendix drive. Over-running clutch.
3	Generator circuit.	Relation of mechanical energy to electrical energy.	Construction and operation of a generator. Cut-out relay, voltage regulator, current regulator, and the regulation and servicing thereof. Truing and undercutting commutator. Use of growler and ampere voltage regulator.
4	Lighting circuit.	Current-carrying capacity of conductors.	Fuses, switches, and wiring-diagrams. Horn circuit; gas gauge; accessories. Light relays and horn relays. Tracing for short-circuits, grounds, leaks, high resistance, and faulty connections. Use of test lamp. Aiming and focusing head-lights and replacing light-bulbs.
5	Fuel system.		Carburetting: operation of carburettor circuits. Purpose of low-speed and high-speed circuits, and pump circuits and float circuits. Types of Venturi equipment: velocity of air through Venturi tubes. Dismantling and rebuilding carburettors. Replacing jets and gaskets. Checking float levels, needle valves, and seats. Air cleaners. Manual and automatic chokes. Manifold heat control. Fuel pump: construction and operation. Linkage, sediment bowl, and strainer. Testing of pressure and vacuum. Causes and cures of vapour-locks. Test the action of valves and springs. Test for deterioration of diaphragms. Cutting and flaring copper pipe, use of solderless connectors. Gas tank: general construction and arrangement of gas tank and gas lines. Reason for baffles; position of baffles. Precautions in soldering. Checking and replacing fuel gauge systems.
6	Tune-up procedure.		Following manufacturers' specifications. Use of hydrometer, voltage tester, high-rate discharge tester, compression gauge, vacuum gauge, spark plug tester, "syncroscope", ampere voltage regulator, and combustion analyzer.
7	Shop work.	Stock-room and tool-crib. Parts, and their identification and functions.	

Schedule 2—Continued

ITEM	COLUMN 1	COLUMN 2	COLUMN 3
	Subject Matter	Instruction In	Skills for Apprentices
8	Tools and equipment.		Use and care of all appropriate hand tools, test equipment and shop equipment.

(1342)

43

THE APPRENTICESHIP AND TRADESMEN'S QUALIFICATION ACT, 1964

O. Reg. 275/64.

Watch Repairers.

Made—October 1st, 1964.

Filed—October 7th, 1964.

REGULATION MADE UNDER THE APPRENTICESHIP AND TRADESMEN'S QUALIFICATION ACT, 1964

1. In this Regulation,

- (a) "certified trade" means the trade of a watch repairer;
- (b) "watch repairer" means a person who,
- (i) makes or fits parts for time-pieces,
 - (ii) repairs, alters, takes apart, assembles or reassembles time-pieces or any part thereof,
 - (iii) advises on the condition of time-pieces or estimates the repairs necessary,
 - (iv) cleans, polishes or lubricates time-pieces or any part thereof, or
 - (v) tests, adjusts or regulates time-pieces or any part thereof,

2. The trade of a watch repairer is designated as a certified trade for the purposes of the Act.

3. An apprentice training programme is established for the certified trade and shall consist of four periods of training and instruction of 1800 hours each,

- (a) at full-time educational day classes provided at a Provincial Institute of Trades; and
- (b) in practical training and instruction provided by an employer of the apprentice,

in the courses contained in the Schedule.

4. Any person who,

(a) applies in the prescribed form for apprenticeship in the certified trade; and

(b) becomes an apprentice in the certified trade within three months after commencing to work in that trade,

is exempt from subsection 2 of section 10 of the Act.

5. The rate of wages for an apprentice in the certified trade, whether for his regular daily hours or for hours in excess of his regular daily hours, shall be not less than,

- (a) 30 per cent for the first period of training and instruction;
- (b) 40 per cent for the second period of training and instruction;
- (c) 50 per cent for the third period of training and instruction; and
- (d) 70 per cent for the fourth period of training and instruction,

of the rate of wages or its equivalent for a journeyman employed by the same employer in the certified trade and with whom the apprentice is working.

6. The subjects of examination for an apprentice in the certified trade are the subjects set out in column 1 of the Schedule.

7. The number of apprentices who may be apprenticed to an employer in the certified trade shall not exceed,

- (a) where the employer is a journeyman in the trade, one apprentice plus an additional apprentice for each five journeymen employed by the employer in the trade and with whom the apprentice is working; and
- (b) where the employer is not a journeyman in the trade, one apprentice for the first journeyman employed by the employer plus an additional apprentice for each additional five journeymen employed by the employer in the trade and with whom the apprentice is working.

8. A certificate of qualification expires with the 30th day of June in each year.

Schedule
WATCH REPAIRER

ITEM	COLUMN 1	COLUMN 2
	Subject	Instruction to be Given
1	History	<p>The development of time-keeping instruments, from sun-dials to atomic clocks.</p> <p>The mechanical development of escapements, from foliot to the lever.</p> <p>Astronomical clocks, navigational time keepers as related to the development of horology.</p>
2	Tools	The use of tools. Their construction, composition and limitations. The care needed to maintain them.
3	Lathes	<p>The construction and use of the lathe and its attachments.</p> <p>The use of the lathe for the fitting of parts, turning, drilling, polishing and grinding.</p> <p>The making of parts on the lathe in conjunction with watch and clock repairing.</p>
4	Clock construction	<p>The construction and operation of all types of clocks.</p> <p>The natural law governing pendulums; the types of escapements; plates; pivots; time train; springs; weights; electrical power; snail-striking works; calendars; hammers; gongs; bells; regulating and adjusting.</p> <p>Spring driven, electric, weight driven, atmos, synchronoms, quartz crystal and atomic.</p>
5	Clock repairing	The repairing of all types of clocks, and the study of materials used in the construction of each type. The repair of clock plates. The polishing and replacing of worn pivots. The methods of repair in the gearing. Striking and alarm. The

ITEM	COLUMN 1	COLUMN 2
	Subject	Instruction to be Given
		matching of the escapement. Adjustment of the balance wheel or pendulum. Regulating to reasonable standards. Dial and hands. Case repairs.
6	Watch construction	The construction and operation of all types of watches, including the main plate and bridges, the barrel and mainspring, the train gearing, the escapement, the balance wheel, jewel bearings, motion work and winding and setting mechanism; dials, construction and styles; hands, construction and styles; cases, construction and styles.
7	Watch repairing	<p>Reconditioning and repairing of all types of watches, including the barrel, the train gearing, the effects of magnetism; bearings and end stones; shapes of pivots, the escapement and matching the escapement. The balance wheel: the composition of all types of balance wheels; fitting of balance staffs; poising the balance wheel assembly; balance springs; manipulations of balance springs.</p> <p>Jewel bearings: their shapes, function, manufacture, materials used, plate, pallet, roller, balance, cap and shock systems.</p> <p>Motion work in conjunction with the centre wheel, cannon pinion, setting wheel, minute wheel and hour wheel.</p> <p>Winding and setting mechanisms: positive and negative settings, the making of stems.</p> <p>The repair of dials: the materials used and the methods of attachment.</p> <p>The repair of watch cases: the material used, testing for waterproofing, crowns, lugs and crystals.</p>
8	Watch cleaning	Hand, machine and ultrasonic methods.

ITEM	COLUMN 1	COLUMN 2
	Subject	Instruction to be Given
9	Oiling and lubricating	The procedure to be used in the oiling of watches and clocks. The types of lubrication; where to apply and the quantities to be used.
10	Timing	The methods of timing watches and clocks, including rate-recording instruments, their use and operation.
11	Safety measures	The precautions necessary in the handling of chemicals and exposure to same. Proper ventilation. Electrical equipment.
12	Reference books	Reference books and their use.

(1343)

43

THE APPRENTICESHIP AND TRADESMEN'S QUALIFICATION ACT, 1964

O. Reg. 276/64.
Plasterers.
Made—October 1st, 1964.
Filed—October 7th, 1964.

REGULATION MADE UNDER THE APPRENTICESHIP AND TRADESMEN'S QUALIFICATION ACT, 1964

1. In this Regulation,

- (a) "plaster" includes stucco;
- (b) "plasterer" means a person who,
- (i) applies plaster to the walls and ceilings, whether interior or exterior, of a structure and with float or trowel spreads the plaster on laths or masonry or on brick or tile walls,
- (ii) moulds and casts figures in plaster, and
- (iii) runs mouldings and cornices on walls and ceilings and affixes plaster figures to walls or ceilings;
- (c) "trade" means the trade of a plasterer.

2. An apprentice training programme in the trade is established and shall consist of four periods of training and instruction of 1600 hours each,

(a) at full-time educational day classes provided at a Provincial Institute of Trades in the courses contained in Schedule 1; and

(b) in practical training and instruction provided by an employer of the apprentice in the courses contained in Schedule 2.

3. The subjects of examination for an apprentice are the subjects set out in column 1 of schedules 1 and 2.

4. The number of apprentices who may be employed by an employer in the trade thereof shall not exceed,

(a) where the employer is a journeyman in the trade, one apprentice plus an additional apprentice for each eight journeymen employed by the same employer in the trade and with whom the apprentice is working; and

(b) where the employer is not a journeyman in the trade, one apprentice for the first journeyman employed by the employer plus an additional apprentice for each additional eight journeymen employed by the employer in the trade and with whom the apprentice is working.

5. Regulations 25 and 26 of Revised Regulations of Ontario, 1960 are revoked.

PLASTERING

Schedule 1

ITEM	COLUMN 1	COLUMN 2
	Subject	Instructions to be Given
1	Constructs on interiors.	Base coats. Finish coats. Surface finishes. Moulds (run). Moulds (pre-cast). Mould mitres.
2	Constructs on exteriors.	Base coats. Finish coats. Surface finishes. Moulds (run). Moulds (pre-cast). Mould mitres.
3	Repairs on interior and exterior surfaces.	Base coats. Finish coats. Surface finishes. Moulds (run). Moulds (pre-cast). Mould mitres. Metal Beads.

Schedule 2

ITEM	COLUMN 1	COLUMN 2
	Subject	Required to Learn
1	Construction and Finish (exterior and interior).	Trade tools. Trade materials. Job conduct. Scratch first coat. Work with dots and screeds. Straighten or second coat. Finish. Make a mould template. Run mould on bench. Run mould in place. Stick a pre-cast mould. Mitre.
2	Repairs (exterior and interior).	Determine repair areas. Determine extent repairs. Repair preparation. Repair construction.
3	Estimate.	Material requirements. Labour requirements. Sequence of work. Other trades participation.

(1344)

43

THE APPRENTICESHIP AND TRADESMEN'S QUALIFICATION ACT, 1964

O. Reg. 277/64.
Building Trades.
Made—October 1st, 1964.
Filed—October 7th, 1964.

REGULATION MADE UNDER THE APPRENTICESHIP AND TRADESMEN'S QUALIFICATION ACT, 1964

1. Regulation 14 of Revised Regulations of Ontario, 1960 is revoked.

(1345)

43

THE APPRENTICESHIP AND TRADESMEN'S QUALIFICATION ACT, 1964

O. Reg. 278/64.
Masons.
Made—October 1st, 1964.
Filed—October 7th, 1964.

REGULATION MADE UNDER THE APPRENTICESHIP AND TRADESMEN'S QUALIFICATION ACT, 1964

1. In this Regulation,

- (a) "mason" means a person who, in the construction of walls, fireplaces, chimneys and other erections, works with natural and artificial stone and,
 - (i) cuts stone when necessary, and places cut stone in position in mortar,
 - (ii) builds in with tile and brick, when necessary,
 - (iii) checks with plumb-rule and level and ensures the vertical and horizontal alignment of the erections, and
 - (iv) brings all mortar joints or other joints to a smooth finish;
- (b) "trade" means the trade of a mason.

2. An apprentice training programme in the trade is established and shall consist of four periods of training and instruction of 1600 hours each,

- (a) at full-time educational day classes provided at a Provincial Institute of Trades in the courses contained in Schedule 1; and
- (b) in practical training and instruction provided by an employer of the apprentice in the courses contained in Schedule 2.

3. The subjects of examination for an apprentice in the trade are the subjects set out in column 1 of schedules 1 and 2.

4. The number of apprentices who may be employed by an employer in the trade shall not exceed,

- (a) where the employer is a journeyman in the trade, one apprentice plus an additional apprentice for each eight journeymen employed by the same employer in the trade and with whom the apprentice is working; and
- (b) where the employer is not a journeyman in the trade, one apprentice for the first journeyman employed by the employer plus an additional apprentice for each additional eight journeymen employed by the same employer in the trade and with whom the apprentice is working.

5. Regulations 21 and 22 of Revised Regulations of Ontario, 1960 are revoked.

Schedule 1
MASONS

ITEM	COLUMN 1	COLUMN 2	COLUMN 3
	Subject Matter	Instruction In	Skills For Apprentices
1	Mortar	Names and quantities of material used in making mortar. Material used making coloured mortar.	Preparing and mixing mortar. Adding colouring-matter.
2	Tools	Trowel; hammer; bolster; plumb-rule; foot-rule; jointers.	Using tools skilfully.
3	Gauging	Various thicknesses of mortar joints.	The lay-out and use of a gauge-rod.
4	Bonds	Stretcher; English; Flemish; common.	The lay-out of bonds.
5	Corners	Laying a right angle on 4", 9", and 13" walls.	Build corners accurately.
6	Walls	Building walls of different thicknesses, with emphasis on how to face and back them.	Using a line and pins; building a uniform, clean wall.
7	Joints	Struck, weathered, raked, ironed, flush, strip.	Finishing joints with trowel or jointer.
8	Trade terms	Headers; stretchers; closer-course; rack-range; toothing.	Using terms in correct places.
9	Materials	Brick; block; stone; tile. Identification of these materials.	The lay-out and use of brick, block, stone, and tile.
10	Safety	Scaffolds; ladders.	Using safe scaffolds and safe planks in building.
11	Chimneys	Flue sizes; corbelling; linings; clean-outs; thimbles. Types of topping.	The lay-out and building of flues; setting thimbles, linings, and clean-outs. Topping chimneys.
12	Openings	Window openings and door openings.	The lay-out of bonds for openings; how to build jambs to varying gauge.
13	Drafting	Geometry; use of symbols and scale.	Reading blueprints to scale using symbols for the lay-out.
14	Mathematics	Square root; cube root; decimals; 3-4-5 rule; fractions.	Applying mathematics to masonry.
15	Veranda piers	Depth of footing. Height of piers. Position of beam-holes. Method of capping.	The lay-out of veranda piers; bringing piers level to a finished height. Setting a cap on a pier.
16	Sills	Stone sills; door sills; window sills. Positions; overhang, drip, or wash. Method of bedding.	Setting door sills and window sills accurately.

Schedule 1—Continued

ITEM	COLUMN 1	COLUMN 2	COLUMN 3
	Subject Matter	Instruction In	Skills For Apprentices
17	Arches	Segmental; semi-Gothic.	Lay-out; cutting, setting.
18	Chimney-breast	Height and width of rough opening. Flues and flue sizes. Corbeilling. Gath-ering. Method of reducing size of chimney-breast.	Lay out and build a rough chimney-breast to size. How to reduce size of chimney-breast.
19	Mantels	Pier sizes; design; lining; damper; wind shelf; ornamental work.	The lay-out of mantels; build piers and lining; set damper; construct mantel to a defined height.
20	Pattern-, bonding- and panel-work.	Herringbone; 3 and 3 square; diamond.	The lay-out of patterns. Making 45° cuts. Building a border and a panel accurately.
21	Difficult corners	13" tile used for backing. 13" solid brick. Tile, or cement block.	To be able to build corners with skill, speed and accuracy.

Schedule 2

MASONS

ITEM	COLUMN 1	COLUMN 2	COLUMN 3
	Subject Matter	Instruction In	Skills For Apprentices
1	Mortar	Names and quantities of material used in making mortar.	Preparing and mixing mortar.
2	Tools	Trowel; hammer; points; plumb-rule; foot-rule; jointers.	Using tools skilfully.
3	Gauging	Various thicknesses of mortar joints.	The lay-out and use of a gauge-rod.
4	Corners	Laying a right angle.	Build corners accurately.
5	Walls	Building walls of different thicknesses, with emphasis on how to face and back them.	Using a line and pins; building a uni- form, clean wall.
6	Joints	Struck, weathered, raked, ironed, flush strip.	Finishing joints with trowel or jointer.
7	Trade terms	Headers; stretchers; closer-course; rack- range; toothing.	Using terms in correct places.
8	Materials	Brick; block; stone; tile. Identification of these materials.	The lay-out and use of brick, block, stone, and tile.

Schedule 2—Continued

ITEM	COLUMN 1	COLUMN 2	COLUMN 3
	Subject Matter	Instruction In	Skills For Apprentices
9	Safety	Scaffolds; ladders.	Using safe scaffolds and safe planks in building.
10	Chimneys	Flue sizes; corbelling; linings; clean-outs; thimbles. Types of topping.	The lay-out and building of flues; setting thimbles; linings, and clean-outs. Topping chimneys.
11	Openings	Window openings and door openings.	The lay-out of bonds for openings; how to build jambs to varying gauge.
12	Drafting		Reading blueprints to scale using symbols for the lay-out.
13	Veranda piers	Depth of footing. Height of piers. Position of beam-holes. Method of capping.	The lay-out of veranda piers; bringing piers level to a finished height. Setting a cap on a pier.
14	Stonework (cleaning)	Ingredients and proportions thereof used; after-effects when not used carefully.	Washing, repairing, and pointing stone.
15	Sills	Stone sills; door sills, window sills. Position; overhang, drip, or wash. Method of bedding.	Setting door sills and window sills accurately.
16	Arches	Segmental; semi-Gothic.	Laying out; cutting; setting.
17	Chimney-breast	Height and width of rough opening. Flues and flue sizes. Corbeilling. Gathering. Method of reducing size of chimney-breast.	Lay out and build a rough chimney-breast to size. How to reduce size of chimney-breast.
18	Mantels	Pier sizes; design; lining; damper; wind shelf; ornamental work.	The lay-out of mantels; build piers and lining; set damper; construct mantel to a defined height.
19	Difficult corners		To be able to build corners with skill, speed and accuracy.

**THE APPRENTICESHIP AND TRADESMEN'S
QUALIFICATION ACT, 1964**

O. Reg. 279/64.

General.

Made—October 1st, 1964.

Filed—October 7th, 1964.

**REGULATION MADE UNDER
THE APPRENTICESHIP AND TRADESMEN'S
QUALIFICATION ACT, 1964**

GENERAL

1. This Regulation applies to any trade for which an apprentice training programme is established.

2. An application for apprenticeship in a trade shall be in Form 1.

3. No person shall become an apprentice in a trade unless he,

- (a) has Grade 10 standing or other qualifications determined by the Minister as equivalent thereto; or
- (b) has the qualifications that are prescribed in the regulations for the trade; and
- (c) is at least sixteen years of age.

4.—(1) An applicant for apprenticeship in a trade or for a certificate of qualification shall, if requested by the Director, produce a certificate of his birth for inspection.

(2) Where the Director is satisfied that the apprentice is unable to produce a certificate of his birth, the Director may accept as proof,

- (a) one item of Class A evidence of birth as prescribed in section 9 of Regulation 562 of Revised Regulations of Ontario, 1960; or
- (b) two items of Class B evidence of birth as prescribed in sections 10 and 11 of Regulation 562 of Revised Regulations of Ontario, 1960.

TRAINING AND INSTRUCTION

5. An apprentice in a trade shall complete any apprentice training programme established for the trade and any full-time educational day classes prescribed by the programme shall be attended at a Provincial Institute of Trades designated by the Director.

6.—(1) Every employer in a trade shall,

- (a) provide an apprentice with practical training and instruction; and
- (b) permit the apprentice to attend any full-time educational day class,

in the courses and for the period prescribed by an apprentice training programme established for the trade.

(2) Where the employer is unable to provide an apprentice with practical training and instruction, the employer and the apprentice shall each forthwith notify the Director.

7.—(1) The regular daily hours of practical training and instruction of an apprentice shall not begin sooner or end later in each day than the regular daily working hours of a journeyman with whom the apprentice is working.

(2) Any hours worked by an apprentice in excess of the apprentice's regular daily hours of practical training and instruction shall not be included in computing the hours spent in training and instruction.

8.—(1) Hourly credits as the Director determines may be granted to an applicant for a certificate of apprenticeship or qualification,

- (a) for the successful completion of a course of study or training conducted by a school in Canada supported in whole or in part by public money; or
- (b) for work performed or experience gained in the trade prior to the application.

(2) No credits shall be granted under subsection 1 unless the applicant,

- (a) supplies documentary evidence satisfactory to the Director,
 - (i) of the completion of the course of study or training, or
 - (ii) of the work performed or the experience gained; or
- (b) passes such tests or examinations as are required by the Director.

(3) An applicant for a certificate of apprenticeship or qualification who is a holder of a certificate of proficiency in the trade shall be granted a credit for the number of hours specified in the certificate of proficiency.

9.—(1) Unless otherwise prescribed, the rate of wages for an apprentice whether for his regular daily hours or for hours in excess of his regular daily hours, shall be not less than,

- (a) 40 per cent during the first period;
- (b) 50 per cent during the second period;
- (c) 60 per cent during the third period;
- (d) 70 per cent during the fourth period; and
- (e) 80 per cent during the fifth period,

of the rate of wages or its equivalent for a journeyman employed by the employer in that trade.

(2) An apprentice shall not,

- (a) be deemed to have completed a period of training and instruction;
- (b) commence another period of instruction; or
- (c) be qualified for an increase in wages under any scale of wages prescribed in the regulations,

until he passes an examination prescribed by the Director in respect of the training and instruction given in the period.

(3) Unless otherwise prescribed, the number of apprentices who may be employed by an employer in a trade shall not exceed,

- (a) where the employer is a journeyman in the trade, one apprentice plus an additional apprentice for each three journeymen employed by the employer in that trade and with whom the apprentice is working; and

- (b) where the employer is not a journeyman in the trade, one apprentice for the first journeyman employed by the employer plus an additional apprentice for each additional three journeymen employed by the employer in that trade and with whom the apprentice is working.

10.—(1) A contract of apprenticeship shall be in Form 2.

(2) The apprentice shall use to the best of his ability any facilities provided for technical instruction.

(3) The apprentice shall obey all lawful orders given to him by the employer or by a person delegated by the employer to supervise the work and training of the apprentice.

(4) The apprentice shall furnish to the employer satisfactory reasons for any absence from his employment.

(5) The employer shall not employ any person in the trade other than a journeyman while the apprentice is idle.

11.—(1) A transfer of a contract of apprenticeship shall be in Form 3.

(2) The employer to whom the contract is transferred shall perform the contract as fully and completely as if he were the employer with whom the contract was made.

CERTIFICATES

12. A certificate of apprenticeship shall be in Form 4.

13.—(1) Where an apprentice has,

- (a) completed an apprentice training programme; and
- (b) passed the examinations referred to in subsection 2 of section 9 and a final examination prescribed by the Director,

the Director shall issue a certificate of apprenticeship to the apprentice.

(2) Where a final examination for a certificate of apprenticeship in a trade has been established as an Interprovincial Standards Examination under the *Technical and Vocational Training Assistance Act* (Canada), and where an apprentice obtains more than 69 per cent on the final examination, he shall be awarded the appropriate seal on his certificate.

(3) Where a certificate of apprenticeship is obtained before an Interprovincial Standards Examination under the *Technical and Vocational Training Assistance Act* (Canada) for the trade is established, the holder of the certificate may write the examination referred to in subsection 2, and if he obtains more than 69 per cent on the examination he shall be awarded the appropriate seal on his certificate.

14. A certificate of proficiency in a trade shall be in Form 5.

15.—(1) The Director may issue a certificate of proficiency in a trade not designated as a certified trade under section 10 of the Act to any person who,

- (a) supplies documentary evidence satisfactory to the Director of work performed or experience gained in the trade; and
- (b) passes each test or examination as is prescribed by the Director.

(2) The Director shall not issue a certificate of proficiency in a trade to a person who holds a subsisting certificate of apprenticeship in the trade.

16. An examination for a certificate of apprenticeship, a certificate of qualification or a certificate of proficiency shall be held at the time and place designated by the Director and shall be designed to test the candidate's knowledge and skill in the trade.

17. A person who has failed to pass an examination may rewrite the examination at a time and place fixed by the Director.

18.—(1) An application for a certificate of qualification in a trade designated as a certified trade under section 10 of the Act or for a renewal thereof shall be in Form 6.

(2) A certificate of qualification shall be in Form 7.

19.—(1) Where an applicant for a certificate of qualification is the holder of a certificate of apprenticeship in the trade issued under the Act or a predecessor of the Act, the Director shall, upon payment of the prescribed fee, issue to the applicant, without examination, a certificate of qualification.

(2) Where an applicant for a certificate of qualification is the holder of,

- (a) a certificate of apprenticeship in a trade that is issued by another Province and that bears an appropriate seal awarded for passing an Interprovincial Standards Examination established under the *Technical and Vocational Training Assistance Act* (Canada); or
- (b) a subsisting certificate of qualification in the trade issued to the applicant by the other Province,

the Director shall, upon payment of the prescribed fee, issue to the applicant without examination a certificate of qualification.

(3) Where an applicant for a certificate of qualification who is not the holder of a certificate of apprenticeship in the trade,

- (a) has attended a trade school licensed under the Act and has completed the period of training and instruction provided by the trade school;
- (b) after graduation from the licensed trade school, works as an apprentice in the trade for a period prescribed by the Director; and
- (c) passes an examination for a certificate of qualification,

the Director shall, upon payment of the prescribed fee, issue to the applicant a certificate of qualification.

20. Where an applicant for a certificate of qualification who is not the holder of a certificate of apprenticeship in the trade,

- (a) supplies evidence satisfactory to the Director of having been continuously engaged in the trade as a journeyman in Ontario or elsewhere for a period equal to or greater than the apprenticeship period prescribed for the trade; and
- (b) passes such tests or examinations as the Director prescribes,

the Director shall, upon payment of the prescribed fee, issue to the applicant a certificate of qualification.

21.—(1) A certificate of qualification,

- (a) expires on the date prescribed in the regulations for the certified trade; and
- (b) may be renewed by the holder upon application to the Director in Form 6 and upon payment of the prescribed fee.

(2) Upon renewal of a certificate of qualification, a seal provided by the Director indicating the year for which the certificate is renewed shall forthwith upon its receipt by the applicant be affixed to the certificate of qualification in the space provided therein.

22.—(1) Subject to subsection 2, where a person fails to renew his certificate of qualification, the Director shall, subject to subsection 2, re-issue the certificate upon payment of the fee prescribed for re-issuance.

(2) Where a certificate is not renewed or re-issued for more than three consecutive years from the date of its expiry, the certificate shall not be re-issued unless the applicant passes an examination prescribed by the Director.

(3) Notwithstanding subsections 1 and 2, where the Director is satisfied that the failure to renew or apply for re-issuance of the certificate was due to illness or other cause beyond the control of the person whose certificate expired, the Director may re-issue the certificate without examination and may dispense with payment of any fee for the re-issuance.

23.—(1) The Director may suspend or cancel a certificate of qualification,

- (a) where the holder is convicted of an offence under the Act or any Regulation; or
- (b) where in the opinion of the Director, the holder is without capacity or not competent to perform work in the trade with reasonable skill.

(2) The Director shall not suspend or cancel a certificate of qualification under clause *b* of subsection 1 without a hearing upon notice personally served or sent by mail to the holder of the certificate of qualification at his address shown on his application for a certificate of qualification or a renewal or re-issuance thereof containing details of the alleged contravention and the nature of the evidence in support thereof and the date, time and place for the hearing.

(3) The Director shall allow seven clear days between the date of service or mailing of the notice and the date of the hearing.

(4) If the holder of the certificate of qualification fails to attend the hearing on the date and at the time and place appointed, the hearing may proceed and a decision may be made in his absence.

(5) At the hearing the holder of the certificate of qualification is entitled to hear the evidence, to cross-examine, to call witnesses, and to present argument.

(6) The holder of the certificate of qualification may be represented by counsel or by an agent.

(7) The Director shall not suspend a certificate of qualification for more than thirty days.

24. Where a person proves to the satisfaction of the Director that he has lost his current certificate of qualification, the Director shall issue to him a duplicate certificate of qualification upon payment of the prescribed fee.

25. The holder of a certificate of qualification shall keep the certificate conspicuously posted where the holder is employed or, if such posting is not practicable, he shall carry the certificate upon his person.

REGISTRATION OF EMPLOYERS

26. When requested by the Director, every employer and self-employed person engaged in a trade shall complete and file Form 8.

FEEES

27. Fees payable under this Regulation are as follows:

1. For registration of a contract of apprenticeship.....	\$5
2. For an examination.....	5
3. For a certificate of qualification.....	5
4. For a renewal of a certificate of qualification.....	5
5. For re-issuance of a certificate of qualification,	
(a) for the year in which the re-issuance is granted.....	5
(b) for each previous year for which the certificate was renewed or re-issued.....	7
6. For duplicate certificate of qualification..	5

28. Regulation 17 of Revised Regulations of Ontario, 1960 and Ontario Regulation 244/63 are revoked.

Form 1

The Apprenticeship and Tradesmen's Qualification Act, 1964

APPLICATION FOR APPRENTICESHIP

TRADE.....

APPLICANT:

Name..... Tel. No.....
(surname) (first and middle names)

Address..... County.....
(street and no., or R.R.)

.....
(city, town or post office)

Date of Birth.....
(day) (month) (year)

Name of Parent, Guardian or Judge.....

Address.....

TRADE EXPERIENCE:

Statement of relevant trade experience, proof of employment, educational or other background to accompany this application.

Date..... Signature of Applicant.....

EMPLOYER:

Applicant entered my employ on.....day of....., 19.....
to learn the trade of.....

Name of Employer..... Tel. No.....

Address.....

Signed by..... Date.....

District Counsellor.....

FOR DEPARTMENT USE ONLY:

Last Grade completed in school: Elementary.....Grade.....

Secondary.....Grade.....

Vocational.....Grade.....

Other.....Grade.....

Trade Specialized in.....

Signature of Counsellor.....

Effective Date..... Approved by:.....

Credit.....Hours Date.....

Submitted by:.....

Form 2

The Apprenticeship and Tradesmen's Qualification Act, 1964

CONTRACT OF APPRENTICESHIP

Contract No.....

THIS CONTRACT OF APPRENTICESHIP MADE this.....day of....., 19....., under The Apprenticeship and Tradesmen's Qualification Act, 1964.

BETWEEN.....hereinafter called the APPRENTICE,

—and—

.....hereinafter called the EMPLOYER,

—and—

(where the apprentice is under twenty-one years of age)

the Parent, Guardian, or Judge.....

WITNESSETH that the Apprentice and the Employer agree as follows:

- 1. The Apprentice agrees to faithfully serve the Employer as an Apprentice and in accordance with The Apprenticeship and Tradesmen's Qualification Act, 1964 and the regulations for a period of training and instruction of.....hours in the trade of.....
2. The Employer agrees to faithfully train and instruct the Apprentice in the trade of..... and to pay the Apprentice wages at the following rates:

For the first.....hours,% of the journeyman's rate;

For subsequent hourly periods and in the following sequence,

-hours at.....%
.....hours at.....%
.....hours at.....%
.....hours at.....%
.....hours at.....%

of a journeyman's rate of wages in the trade:

IN WITNESS WHEREOF the parties have signed.

WITNESS:

..... Employer
..... Address of Employer
..... Apprentice
..... Address of Apprentice
..... Parent, Guardian or Judge
..... Address of Parent, Guardian or Judge

Approved and Registered this.....day of....., 19.....

..... Director

Termination.....Date.....Cancellation.....Date.....

Transfer.....Date.....Transfer.....Date.....

Transfer.....Date.....Transfer.....Date.....

Form 3

The Apprenticeship and Tradesmen's Qualification Act, 1964

TRANSFER OF CONTRACT OF APPRENTICESHIP

THE CONTRACT OF APPRENTICESHIP made between....., the Apprentice and..... the Employer, and dated the..... day of....., 19.... and the mutual rights, benefits and obligations contained therein are hereby transferred to..... of..... (address)

Dated this..... day of....., 19....

IN WITNESS WHEREOF the parties have signed.

WITNESS:

..... Employer transferring contract
..... Address of Employer transferring contract
..... Employer to whom contract is transferred
..... Address of Employer to whom contract is transferred
..... Apprentice
..... Address of Apprentice
..... Parent, Guardian or Judge
..... Address of Parent, Guardian or Judge

(and where the Apprentice is under twenty-one years of age)

Contract Number.....

Form 4

The Apprenticeship and Tradesmen's Qualification Act, 1964

CERTIFICATE OF APPRENTICESHIP

Certificate Number.....

THIS IS TO CERTIFY THAT..... having complied with The Apprenticeship and Tradesmen's Qualification Act, 1964 and the regulations is issued this Certificate of Apprenticeship in the trade of.....

Dated at Toronto, this..... day of....., 19....

(signature of issuer)

Form 5

The Apprenticeship and Tradesmen's Qualification Act, 1964

CERTIFICATE OF PROFICIENCY

Certificate Number.....

THIS IS TO CERTIFY THAT.....
having complied with The Apprenticeship and Tradesmen's Qualification Act, 1964 and the regulations is issued
this Certificate of Proficiency and is entitled to a credit of.....hours to be applied to the period of training
and instruction required in the trade of.....

Dated at Toronto, this.....day of....., 19....

(signature of issuer)

Form 6

The Apprenticeship and Tradesmen's Qualification Act, 1964

APPLICATION FOR CERTIFICATE OF QUALIFICATION OR RENEWAL THEREOF IN THE
CERTIFIED TRADE OF

1. APPLICANT:

Name..... Tel. No.....
(surname) (first and middle names)

Address..... County.....

Date of Birth.....
(day) (month) (year)

Are you an employer:..... Are you an employee:.....

TRADE EXPERIENCE:

Statement of relevant trade experience, proof of employment, educational or other background to
accompany this application.

Dated at.....this.....day of....., 19....

(signature of applicant)

(signature of district counsellor)

2. APPLICATION FOR RENEWAL FOR CERTIFICATE OF QUALIFICATION IN THE CERTIFIED
TRADE OF

Under The Apprenticeship and Tradesmen's Qualification Act, 1964 and the regulations, I apply for a
renewal of my Certificate of Qualification and furnish the following information:

PLEASE PRINT

Name (last name).....

First and Middle Names.....

Address.....

Former Name if Changed from Previous Certificate or Renewal.....

Former Address if Address Changed after Certificate of Qualification Issued or it was last renewed
.....

Holder of Certificate of Qualification Number..... in the Trade of
Employed by.....
Address.....

Dated at..... this..... day of....., 19....

(signature of applicant)

THIS SPACE FOR DEPARTMENTAL USE ONLY

Approved.....
Serial Number.....
Dated Issued.....

Form 7

The Apprenticeship and Tradesmen's Qualification Act, 1964

CERTIFICATE OF QUALIFICATION

Certificate Number.....

THIS IS TO CERTIFY THAT.....
having complied with *The Apprenticeship and Tradesmen's Qualification Act, 1964* and the regulations is issued
this Certificate of Qualification in the certified trade of.....

Dated at Toronto, this..... day of....., 19....

(signature of issuer)

Form 8

The Apprenticeship and Tradesmen's Qualification Act, 1964

REGISTRATION OF EMPLOYERS AND SELF-EMPLOYED PERSONS IN THE TRADE OF

TO THE DIRECTOR:

Under *The Apprenticeship and Tradesmen's Qualification Act, 1964* and the regulations, I register as an
employer or self-employed person in the certified trade of..... and furnish
the following information:

1. Name (if not a corporation).....
(surname) (first and middle names)
Name (if a corporation).....
2. Address.....
(street and number or R.R.) (city, town or post office)
3. Certificate of Qualification, if not a corporation:
 - (a) I am the holder of Certificate of Qualification Number..... in the certified trade of
..... issued on..... or,
 - (b) I am not the holder of a Certificate of Qualification in the certified trade of.....
but have been continuously engaged in such trade for..... years.
4. Particulars of persons in my employ in the certified trade of.....

Name	Address	Total Length of Experience at the trade		Branch if any	Date of Birth	Certificate Number
		Years	Months			

DATED AT..... this..... day of....., 19....

.....
(signature)

(1347)

43

THE PLANNING ACT

O. Reg. 280/64.
Restricted Areas—Improvement District of Bicroft.
Made—October 5th, 1964.
Filed—October 9th, 1964.

**ORDER MADE UNDER THE PLANNING ACT
RESTRICTED AREAS—IMPROVEMENT DISTRICT OF BICROFT**

1. This Order applies to that part of the Improvement District of Bicroft in the Provisional County of Haliburton, contained within Registered Plans 368A, 368B, 368C and 368D, registered in the Registry Office for the Registry Division of the Provisional County of Haliburton, and being plans of subdivision of parts of lots 31 and 32, Concession Eleven, Township of Cardiff.

2. In this Order, "accessory building" means a building or structure located in the same lot as the single-family dwelling to which it is appurtenant and used for a purpose subordinate to the principal residential use, such as a private garage, greenhouse or garden implement shed, but does not include a building used for the storage of commercial or industrial material, equipment or vehicles.

3. No land shall be used and no building or structure shall be erected, altered or used except for single-family dwelling purposes.

4.—(1) No single-family dwelling shall be erected, altered or used if the building is located,

- (a) nearer to the street line than sixteen feet;
- (b) where there is an attached garage, nearer to a side lot line than four feet in the case of a one-storey building or six feet in the case of a building of two or more storeys;

(c) where there is no attached garage, nearer to one side lot line than ten feet or nearer to the other side lot line than the distance specified in clause b; and

(d) nearer to the rear lot line than twenty-five feet or, in the case of a corner lot, ten feet.

(2) The total area occupied by buildings and structures on a lot shall not exceed thirty-three per centum of the area of the lot.

5.—(1) No accessory building shall be erected, altered or used if the building,

- (a) is located nearer to the street line than fifteen feet;
- (b) is located nearer to any other lot line than two feet; or
- (c) is more than fifteen feet in height.

(2) The total area occupied by accessory buildings on a lot shall not exceed ten per centum of the area of the lot.

6. Nothing in this order shall prevent the use of any land for park, highway or gardening purposes.

7. This Order does not apply to prevent the use of any land, building or structure for any purpose prohibited thereby if such land, building or structure was lawfully used for such purpose on the day of coming into force of this Order, so long as it continues to be used for that purpose.

8. This Order expires on the 1st day of September, 1965.

Dated at Toronto, this 5th day of October, 1964.

J. W. SPOONER,
Minister of Municipal Affairs.

(1355)

43

THE GAME AND FISH ACT, 1961-62

O. Reg. 281/64.

Hunting in Provincial Parks.

Made—October 8th, 1964.

Filed—October 9th, 1964.

REGULATION MADE UNDER THE GAME AND FISH ACT, 1961-62

1. Ontario Regulation 286/63, as amended by Ontario Regulation 251/64, is further amended by adding thereto the following section:

2a.—(1) The holder of a licence in Form 7, 10, 11 or 12 of Ontario Regulation 229/63 may hunt ducks, geese, rails, coots or gallinules on a Monday, Wednesday, Thursday or Saturday during the open season therefor in any year in the parts of Rondeau Provincial Park described in Schedule 3, and may possess or use a shotgun for the purpose, upon the condition that,

(a) he deposits his licence with the officer in charge and obtains a licence,

(i) in Form 1 to hunt in the area described in item 1 of Schedule 3, or

(ii) in Form 3 to hunt in the area described in item 2 of Schedule 3;

(b) he pays a fee of \$4,

(i) for each day he hunts in the area described in item 1 of Schedule 3, or

(ii) to hunt during the open season in the area described in item 2 of Schedule 3;

(c) he hunts only between the hours of 7 a.m. and 5 p.m. in the area described in item 1 of Schedule 3; and

(d) he hunts only from a blind supplied by the Department for the purpose in the area described in item 1 of Schedule 3.

(2) Before leaving the area described in item 1 of Schedule 3, a person hunting under subsection 1 shall report to the officer in charge and shall produce for inspection any ducks, geese, rails, coots or gallinules taken by him:

2. Section 4 of Ontario Regulation 286/63 is revoked and the following substituted therefor:

4.—(1) A licence in Form 1 or in Form 2 expires with the day on which it is issued.

(2) A licence in Form 3 expires with the last day of the open season for ducks, geese, rails, coots or gallinules in the area described in item 2 of Schedule 3.

3. Ontario Regulation 286/63, as amended by Ontario Regulation 251/64, is further amended by adding thereto the following Schedule:

Schedule 3

In the Township of Harwich in the County of Kent and described as follows:

1. Beginning at the intersection of the water's edge of Lake Erie with the north-south dredge cut; thence north $22^{\circ} 30'$ east along the said dredge cut, 3280 feet, more or less, to the intersection with the most southerly dredge cut; thence north $77^{\circ} 30'$ west along the said dredge cut and its northwesterly production a distance of 1 mile and 3900 feet; thence north $38^{\circ} 30'$ east 4 miles and 2300 feet, more or less, to the intersection with a line drawn northwesterly parallel to the dock opposite Rondeau Avenue from the intersection of the northeasterly limit of Rondeau Avenue with the easterly limit of Rondeau Park Road; thence southeasterly parallel to the said dock, 2970 feet, more or less, to the said intersection of the northeasterly limit of Rondeau Avenue with the easterly limit of Rondeau Park Road; thence southeasterly along the said northeasterly limit of Rondeau Avenue to the intersection with the easterly limit of Lake Shore Road; thence southerly and westerly along the easterly limit of Lake Shore Road to the intersection with the easterly limit of Rondeau Park Road; thence southerly along the east limit of Rondeau Park Road and its production to the intersection with the water's edge of Lake Erie; thence in a general westerly direction following the said water's edge of Lake Erie to the point of beginning.

2. Beginning at the northwesterly corner of Lot 2 according to a plan of survey of the tract of land known as the Rondeau Peninsula or Point aux Pins dated September 8th, 1864, prepared by Henry Lowe, Provincial Land Surveyor, of record in the Department of Lands and Forests, Ontario; thence westerly along the production westerly of the northerly limit of that lot to the water's edge of Rondeau Harbour; thence in a general northerly, westerly, southwesterly, southerly and easterly direction following the water's edge on the easterly, northerly, westerly and southerly shores of that harbour to the intersection with the production northerly of the westerly limit of Lot 104 according to a plan registered in the Registry Office for the County of Kent as No. 314; thence northerly along that production to a point distant 290 feet measured northerly thereon from the southwesterly corner of that lot; thence easterly parallel to the northerly limit of Bayview Alley according to that plan, 150 feet, more or less, to the intersection with the production northerly of the easterly limit of Lot 100 according to that plan; thence southerly along that production to the water's edge of Rondeau Harbour; thence in a general easterly direction following that water's edge to the most easterly extremity of Shirley Point; thence southeasterly in a straight line to the most northerly extremity of the east face of the west pier of the channel connecting Rondeau Harbour and Lake Erie; thence southerly along that easterly face to a point distant 421.18 feet measured northerly thereon from the production easterly of the southerly limit of Mariner's Road; thence south $77^{\circ} 14' 25''$ east 100 feet; thence north $12^{\circ} 45' 35''$ east, 800 feet; thence south $77^{\circ} 14' 25''$ east, 700 feet; thence south $12^{\circ} 45' 35''$ west, 850 feet, more or less, to the water's edge of Lake Erie; thence in a general easterly direction following the water's edge of Lake Erie to the intersection with the north and south dredge cut; thence north $22^{\circ} 30'$ east along the said dredge cut, 3280 feet, more or less, to the intersection with the most southerly dredge cut; thence north $77^{\circ} 30'$ west along the said dredge cut and its northwesterly production, a distance of 1 mile and 3900 feet; thence north $38^{\circ} 30'$ east, 4 miles and 2300 feet, more or less, to the intersection with a line drawn northwesterly parallel to the dock opposite Rondeau Avenue from the intersection of the northeasterly limit of Rondeau Avenue with the easterly limit of Rondeau Park Road; thence southeasterly parallel to the said dock, 2970 feet, more or less, to the said intersection of the northeasterly limit of Rondeau Avenue and the easterly limit of Rondeau Park Road; thence southeasterly along the said northeasterly limit of Rondeau Avenue to the intersection with the easterly limit of Lake Shore Road; thence southerly and westerly along the easterly limit of Lake Shore Road to the intersection with the easterly limit of Rondeau

Park Road; thence southerly along the east limit of Rondeau Park Road and its production to the intersection with the water's edge of Lake Erie; thence in a general northeasterly and northerly direction following the said water's edge to the intersection with the production easterly of the northerly limit of Lot 2 aforementioned; thence westerly along that production and the northerly limit of that lot to the point of beginning.

4. Ontario Regulation 286/63, as amended by Ontario Regulation 251/64, is further amended by adding thereto the following Form:

Form 3

No.....

The Game and Fish Act, 1961-62

19....

LICENCE TO HUNT ON DESIGNATED CROWN LANDS

Under The Game and Fish Act, 1961-62 and the regulations and subject to the limitations thereof, this licence is issued to

of..... to hunt ducks, geese, rails, coots and gallinules in the area described as follows:

.....

This licence expires with the....day of.....,

19.....

Signature of Issuer.....

Date of Issue.....

(1390)

43

THE PUBLIC HEALTH ACT

O. Reg. 282/64.

Health Units—Areas that may be Included in Health Units.

Made—October 8th, 1964.

Filed—October 13th, 1964.

REGULATION MADE UNDER THE PUBLIC HEALTH ACT

1.—(1) Schedule 6 to Regulation 509 of Revised Regulations of Ontario, 1960, as amended by Ontario Regulation 47/63, is further amended by adding thereto the following items:

ixa. Curtin

xxiia. Merritt

xxiiia. Mongowin

(2) The said Schedule 6 is further amended by adding thereto the following paragraph:

2. The following townships in the Territorial District of Manitoulin:

i. Bidwell

ii. Campbell

iii. Sheguiandah

(1391)

43

THE PUBLIC HEALTH ACT

O. Reg. 283/64.

Indigent Patients.

Made—September 10th, 1964.

Approved—October 8th, 1964.

Filed—October 13th, 1964.

REGULATION MADE UNDER THE PUBLIC HEALTH ACT

INDIGENT PATIENTS

1. In this Regulation,

(a) "Director" means the Director of the Division of Epidemiology of the Department;

(b) "patient" means an indigent person who applies for a free supply of insulin.

2.—(1) An application for the supply free of charge of insulin to indigent persons shall be in Form 1.

(2) Part I of Form 1 shall be completed by,

(a) the patient;

(b) an adult residing with a patient who because of mental or physical disability is unable to complete Part I; or

(c) the parent or guardian, where the patient is under sixteen years of age.

(3) Part II of Form 1 shall be completed by a duly qualified medical practitioner.

(4) Part III of Form 1 shall be completed,

(a) by the clerk of the municipality in which the patient resides;

(b) where the patient is a patient in a hospital, by the superintendent of the hospital if a municipality is paying maintenance for the patient; or

(c) where the patient resides in unorganized territory, by a clergyman, a constable of the Ontario Provincial Police Force, a postmaster or a field worker appointed under The Welfare Units Act.

(5) Where the Director has in his possession the information mentioned in Part I of Form 1, the Minister may supply insulin notwithstanding that Part I of Form 1 has not been completed.

3.—(1) The municipality in which the patient resides shall contribute to the Minister 25 per cent of the cost of the insulin supplied to the patient.

(2) The Director shall send a statement in Form 2 to the clerk of the municipality in which the patient resides.

(3) The statement shall be sent on the first days of March, June, September and December in each year.

4.—(1) An oral hypoglycaemic agent is designated as a substance for the control or treatment of diabetes for the purpose of section 56 of the Act.

(2) Where a municipality,

(a) supplies or causes to be supplied free of charge to an indigent person an oral hypoglycaemic agent upon the prescription of a duly qualified medical practitioner; and

(b) sends monthly to the Director a statement in Form 3,

the Minister may contribute to the municipality 75 per cent of the cost incurred by the municipality as shown on the statement.

5. Ontario Regulation 258/63 is revoked.

M. B. DYMOND,
Minister of Health.

Dated at Toronto, this 10th day of September, 1964.

Form 1

The Public Health Act

PART I

APPLICATION FOR A FREE SUPPLY OF INSULIN

Name of patient in full.....
(surname)

.....
(given name)

Married, single, widowed, divorced or separated

If a married woman, husband's given name in full

If widowed, deceased husband's given name in full

Age (last birthday).....

Address.....
(post office) (street or rural route number)

.....
(township, village, town or city)

.....
(county or district)

I,
(name in full)

solemnly declare that I am unable to pay for the supply of insulin as set forth in Part II.

.....
(signature of patient)

I,
(name in full)

declare that.....
(name of patient)

is unable by reason of mental or physical infirmity to complete Part I and to the best of my knowledge and belief he is unable to pay for the supply of insulin as set forth in Part II.

.....
(signature of adult)

I,
(name in full)

declare that I am.....
(the parent, guardian)

of.....
(name of patient)

who is under the age of sixteen years and that neither he nor any person responsible for his maintenance is able to pay for the supply of insulin as set forth in Part II.

.....
(signature of parent, guardian)

PART II

CERTIFICATE OF A DULY QUALIFIED MEDICAL PRACTITIONER

I,
(name in full of duly qualified medical practitioner)

certify that.....
(name of patient)

requires a supply of insulin of the type and strength as stated in Table 1.

TABLE 1

Insulin

Type	Strength	Requirements per day in units	Number of vials for 30 days
Insulin-Toronto	40 units per cc.		
	80 units per cc.		
Protamine Zinc Insulin	40 units per cc.		
	80 units per cc.		
Lente Insulin	40 units per cc.		
	80 units per cc.		
Semilente Insulin	40 units per cc.		
	80 units per cc.		
Ultralente Insulin	40 units per cc.		
	80 units per cc.		

PART III

I,,
 clerk of the municipality of,
 solemnly declare that to the best of my knowledge and belief
 is unable to pay for the supply of insulin as set forth in Part II. (name of patient)
 Dated, 19..... (signature of the clerk)

I,,
 superintendent of the..... (name of hospital)
 declare that..... (name of patient)
 is a patient for whom the municipality of.....
 is paying maintenance in this hospital.
 Dated, 19..... (signature of the superintendent)

Form 2

The Public Health Act

NOTICE TO MUNICIPALITY

To the clerk of the municipality of.....
 the following indigent persons resident in..... have been supplied
 (municipality)
 with insulin free of charge during the period from..... to.....
 at the cost as follows:

Name of Person	Address	Insulin Supplied					Cost
		Number of Vials					
		Insulin-Toronto	Protamine Zinc Insulin	Lente Insulin	Semi Lente Insulin	Ultra Lente Insulin	
		Units 400 800	Units 400 800	Units 400 800	Units 400 800	Units 400 800	
							Total Cost

Publications Under The Regulations Act

October 31st, 1964

THE HIGHWAY TRAFFIC ACT

O. Reg. 284/64.

Speed Limits.

Made—October 15th, 1964.

Filed—October 19th, 1964.

REGULATION MADE UNDER THE HIGHWAY TRAFFIC ACT

1.—(1) Paragraphs 2 and 3 of Part 1 of Schedule 9 to Regulation 232 of Revised Regulations of Ontario, 1960 are revoked and the following substituted therefor:

Lambton—
Twps. of
Warwick and
Plympton

2. That part of the King's Highway known as No. 7 in the County of Lambton lying between a point situate 600 feet measured easterly from its intersection with the line between lots 9 and 10 in Concession 1 in the Township of Warwick and a point situate 1500 feet measured easterly from its intersection with the easterly limit of the King's Highway known as No. 21 in the Township of Plympton.

Lambton—
Twp. of
Warwick

3. That part of the King's Highway known as No. 7 in the Township of Warwick in the County of Lambton lying between a point situate 2000 feet measured westerly from its intersection with the westerly limit of the King's Highway known as No. 22 and a point situate 1500 feet measured easterly from its intersection with the line between lots 10 and 11 in Concession 1.

(2) Paragraph 4 of Part 4 of the said Schedule 9 is revoked and the following substituted therefor:

Lambton—
Twp. of
Warwick

4. That part of the King's Highway known as No. 7 in the Township of Warwick in the County of Lambton lying between a point situate 1500 feet measured easterly from its intersection with the line between lots 10 and 11 in Concession 1 and a point situate 600 feet measured easterly from its intersection with the line between lots 9 and 10 in the said Concession 1.

2. Part 4 of Schedule 13 to Regulation 232 of Revised Regulations of Ontario, 1960, as amended by Ontario Regulations 184/61, 231/62, 292/63, 60/64 and 81/64, is further amended by adding thereto the following paragraphs:

District of
Parry Sound—
Twp. of
Armour

18. That part of the King's Highway known as No. 11 in the Township of Armour in the District of Parry Sound commencing at a point situate at its intersection with the centre line of Concession 8 and extending southerly therealong for a distance of 1000 feet more or less.

District of
Parry Sound—
Village of
Burk's Falls

19. That part of the King's Highway known as No. 11 in the Village of Burk's Falls in the District of Parry Sound lying between a point situate 550 feet measured northerly from its intersection with the centre line of the King's Highway known as No. 520 and a point situate at its intersection with the line between concessions 9 and 10.

3.—(1) Paragraph 11 of Part 1 of Schedule 20 to Regulation 232 of Revised Regulations of Ontario, 1960 is revoked and the following substituted therefor:

District of
Nipissing—
Twps. of
Widdifield
and Springer

11. That part of the King's Highway known as No. 17 in the District of Nipissing lying between a point situate 1000 feet measured westerly from its intersection with the King's Highway known as No. 17B in the Township of Widdifield and a point situate 700 feet measured easterly from its intersection with the line between lots 2 and 3 in Concession 1 in the Township of Springer.

(2) Paragraph 12 of Part 1 of the said Schedule 20, as remade by section 2 of Ontario Regulation 18/64, is revoked and the following substituted therefor:

District of
Nipissing—
Twps. of
Springer and
Caldwell

12. That part of the King's Highway known as No. 17 in the District of Nipissing lying between a point situate at its intersection with the line between lots 5 and 6 in Concession 1 in the Township of Springer and a point situate 300 feet measured easterly from its intersection with the King's Highway known as No. 64 in the Township of Caldwell.

(3) Part 3 of the said Schedule 20, as amended by Ontario Regulations 330/61, 52/62, 128/62, 158/62, 183/62, 197/62, 23/63, 338/63 and 60/64, is further amended by adding thereto the following paragraph:

District of
Nipissing—
Twp. of
Springer

21. That part of the King's Highway known as No. 17 in the Township of Springer in the District of Nipissing commencing at a point situate at its intersection with the line between lots 2 and 3 in Concession 1 and extending easterly therealong for a distance of 700 feet more or less.

(4) Paragraph 5 of Part 4 of the said Schedule 20 is revoked.

4. Paragraph 1 of Part 1 of Schedule 38 to Regulation 232 of Revised Regulations of Ontario, 1960, as made by subsection 1 of section 5 of Ontario Regulation 118/62, is revoked and the following substituted therefor:

York—
Twp. of
Markham

1. That part of the King's Highway known as No. 48 in the Township of Markham in the County of York lying between a point situate 1600 feet measured northerly from its intersection with the northerly limit of the roadway known as Steeles Avenue and a point situate at its intersection with the line between lots 7 and 8 in Concession 8 east of Yonge Street.

5. Part 4 of Schedule 64 to Regulation 232 of Revised Regulations of Ontario, 1960 is amended by adding thereto the following paragraph:

District of
Sudbury—
Twp. of
Balfour

2. That part of the King's Highway known as No. 544 in the Township of Balfour in the District of Sudbury lying between a point situate at its intersection with the roadway known as Edwards Street and a point situate at its intersection with the roadway known as Bathurst Street.

6. Regulation 232 of Revised Regulations of Ontario, 1960 is amended by adding thereto the following Schedule:

HIGHWAY NO. 594

Schedule 66g

PART 1

(Reserved)

PART 2

(Reserved)

PART 2a

(Reserved)

PART 3

(Reserved)

PART 4

(Reserved)

PART 5

1. That part of the King's Highway known as No. 594 in the Township of Aubrey in the District of Kenora lying between a point situate 500 feet measured northerly from its intersection with the northerly limit of the Canadian Pacific Railway right of way in Concession 6 and a point situate 1500 feet measured southerly from its intersection with the municipal road at Eagle River Canadian Pacific Railway Station in the said Concession 6.

PART 6

(Reserved)

District of Kenora—

Twp. of Aubrey

(1420)

44

THE HIGHWAY TRAFFIC ACT

O. Reg. 285/64.

Parking.

Made—October 15th, 1964.

Filed—October 19th, 1964.

REGULATION MADE UNDER THE HIGHWAY TRAFFIC ACT

1. Regulation 229 of Revised Regulations of Ontario, 1960, as amended by Ontario Regulations 114/64 and 116/64, is further amended by adding thereto the following Schedule:

Schedule 3

HIGHWAY NO. 400

1. That part of the King's Highway known as No. 400 in the Township of King in the County of York commencing at a point situate 2640 feet measured southerly from its intersection with the centre line of the roadway known as King Side Road and extending northerly therealong for a distance of 5280 feet more or less other than on that portion reserved as a service station area and shown coloured blue on part of Department of Highways plan No. 13-B-74 filed in the office of the Registrar of Regulations at Toronto as No. 558.

2. That part of the King's Highway known as No. 400 in the County of Simcoe commencing at a point situate 2640 feet measured southerly from its intersection with the centre line of the roadway known as Cookstown Road in the Township of West Gwillimbury and extending northerly therealong for a distance of 5280 feet more or less other than on that portion reserved as a service station area and shown coloured blue on part of Department of Highways plan No. 11-B-77 filed in the office of the Registrar of Regulations at Toronto as No. 559.

(1421)

44

THE GAME AND FISH ACT, 1961-62

O. Reg. 286/64.

Open Seasons—Game Birds.

Made—October 15th, 1964.

Filed—October 20th, 1964.

REGULATION MADE UNDER THE GAME AND FISH ACT, 1961-62

1.—(1) Clauses *b* and *e* of subsection 1 of section 2 of Ontario Regulation 177/64 are revoked and the following substituted therefor:

(*b*) from the 28th day of October to the 4th day of November, both inclusive, in the County of Essex, except in the Township of Pelee;

(*e*) from the 28th day of October to the 11th day of November, both inclusive, in the counties of Lincoln and Welland, and in the townships of Ancaster, Barton, Binbrook, Glanford and Saltfleet in the County of Wentworth;

(2) Subsection 1 of the said section 2 is amended by inserting "and" at the end of clause *f* and by adding thereto the following clause:

(*g*) from the 3rd day of October to the 30th day of November, both inclusive, in any part of Ontario except in the areas described in clauses *a*, *b*, *c*, *d*, *e* and *f*.

(1422)

44

THE HIGHWAY IMPROVEMENT ACT

O. Reg. 287/64.

Designations—Miscellaneous, Southern Ontario.

Made—October 8th, 1964.

Filed—October 20th, 1964.

REGULATION MADE UNDER THE HIGHWAY IMPROVEMENT ACT

1. Schedule 85 to Regulation 213 of Revised Regulations of Ontario, 1960, as remade by section 2 of Ontario Regulation 175/61, is revoked.

2. Schedule 109 to Regulation 213 of Revised Regulations of Ontario, 1960, as made by section 1 of Ontario Regulation 174/63, is amended by adding at the end thereof:

"except that portion of the above-mentioned highway closed by Order-in-Council OC-1863/64, dated the 18th day of June, 1964, and shown outlined on Department of Highways plan P-5047-6."

(1423)

44

THE WEED CONTROL ACT

O. Reg. 288/64.

General.

Made—October 22nd, 1964.

Filed—October 23rd, 1964.

REGULATION MADE UNDER THE WEED CONTROL ACT

1. Schedule 3 to Regulation 565 of Revised Regulations of Ontario, 1960, as made by section 2 of Ontario Regulation 170/63 and amended by Ontario Regulation 112/64, is further amended by adding thereto the following item:

- 4 Goldenrod Solidago spp. City of Guelph in the County of Wellington

(1442)

44

THE FARM PRODUCTS GRADES AND SALES ACT

O. Reg. 289/64.

Flue-Cured Tobacco.

Made—October 22nd, 1964.

Filed—October 23rd, 1964.

REGULATION MADE UNDER THE FARM PRODUCTS GRADES AND SALES ACT

1.—(1) Item iv of clause *a* of section 1 of Regulation 140 of Revised Regulations of Ontario, 1960, as remade by subsection 1 of section 1 of Ontario Regulation 284/61, is amended by striking out "Variegated".

(2) Clause *j* of the said section 1, as remade by subsection 2 of section 1 of Ontario Regulation 284/61, is revoked and the following substituted therefor:

- (j) "grey" means distinctly grey;

2.—(1) Subsection 2 of section 6 of Regulation 140 of Revised Regulations of Ontario, 1960 is amended by striking out "hailed" in the first line and inserting in lieu thereof "severely hailed" and by inserting after "or" in the fourth line "severely".

(2) Clause *b* of subsection 2 of the said section 6 is amended by inserting after "of" in the first line "severely".

(3) Clause *i* of subsection 2 of the said section 6 is amended by inserting after "of" in the first line "severely".

3.—(1) Clause *a* of paragraph 14*a* of section 8 of Regulation 140 of Revised Regulations of Ontario, 1960, as remade by section 2 of Ontario Regulation 302/62, is amended by striking out "blended" in the first line.

(2) Clause *a* of paragraph 14*b* of the said section 8, as remade by section 2 of Ontario Regulation 302/62, is amended by striking out "blended" in the first line.

(3) Clause *a* of paragraph 14*c* of the said section 8, as remade by section 2 of Ontario Regulation 302/62, is amended by striking out "variegated" in the first line.

(4) Clause *a* of paragraph 14*e* of the said section 8, as made by section 2 of Ontario Regulation 302/62, is amended by striking out "variegated" in the first line.

(5) Clause *a* of paragraph 34*a* of the said section 8, as remade by section 2 of Ontario Regulation 302/62, is amended by striking out "blended" in the first line.

(6) Clause *a* of paragraph 34*b* of the said section 8, as remade by section 2 of Ontario Regulation 302/62, is amended by striking out "variegated" in the first line.

(7) Clause *a* of paragraph 34*d* of the said section 8, as made by section 2 of Ontario Regulation 302/62, is amended by striking out "variegated" in the first line.

(8) Clause *a* of paragraph 50*a* of the said section 8, as remade by section 2 of Ontario Regulation 302/62, is amended by striking out "blended" in the first line.

(9) Clause *a* of paragraph 50*b* of the said section 8, as remade by section 2 of Ontario Regulation 302/62, is amended by striking out "variegated" in the first line.

(10) Clause *a* of paragraph 50*d* of the said section 8, as made by section 2 of Ontario Regulation 302/62, is amended by striking out "variegated" in the first line.

(11) Paragraphs 5*a*, 10*a*, 13*a*, 17*a*, 21*a*, 28*a*, 33*a*, 37*a*, 39*a*, 45*a*, 49*a* and 51*a* of the said section 8, as made by section 2 of Ontario Regulation 302/62, are revoked.

(12) Paragraphs 14*d*, 34*c* and 50*c* of the said section 8, as remade by section 2 of Ontario Regulation 302/62, are revoked.

(1443)

44

THE GAME AND FISH ACT, 1961-62

O. Reg. 290/64.

Open Seasons—Deer, Moose and Black Bear.

Made—October 22nd, 1964.

Filed—October 23rd, 1964.

REGULATION MADE UNDER THE GAME AND FISH ACT, 1961-62

1. Section 3*a* of Ontario Regulation 189/63, as remade by section 2 of Ontario Regulation 206/64, is revoked and the following substituted therefor:

3*a*. The holder of a resident's licence to hunt bear and deer, a farmer's licence to hunt bear and deer or a resident's camp licence for hunting deer may hunt deer in those parts of Ontario described in,

- (*a*) paragraphs 2, 3, 5, 6, 7, 8 and 9 of Schedule 16 from the 2nd day of November to the 4th day of November, both inclusive, in the year 1964; and

- (*b*) paragraph 4 of Schedule 16 on the 2nd and 3rd days of November in the year 1964.

2. Section 5 of Ontario Regulation 189/63, as amended by section 3 of Ontario Regulation 299/63, is revoked and the following substituted therefor:

5. Only shotguns may be used to hunt deer in,

(a) the townships of Asphodel, Douro, Ennismore, North Monaghan, Otonabee and Smith in the County of Peterborough;

(b) the County of Grenville; and

(c) those parts of Ontario described in,

(i) Schedule 7, and

(ii) paragraphs 2, 4, 5, 6, 7, 8 and 9 of Schedule 16.

3. Clause *e* of section 6 of Ontario Regulation 189/63, as made by section 4 of Ontario Regulation 299/63, is revoked and the following substituted therefor:

(*e*) paragraphs 2, 3, 4, 5, 6, 7, 8 and 9 of Schedule 16.

4. Schedule 16 to Ontario Regulation 189/63, as made by section 5 of Ontario Regulation 299/63 and amended by section 7 of Ontario Regulation 206/64, is further amended by revoking paragraph 4 and adding thereto the following paragraphs:

4. The County of Essex.

5. The counties of Haldimand, Kent and Welland.

6. The townships of Amaranth and Melancthon in the County of Dufferin.

7. The townships of Adjala, Essa, Flos, Innisfil, Orillia, Sunnidale, Tay, Tecumseth, Tosoronto, Vespra and West Gwillimbury in the County of Simcoe.

8. The Township of Scott in the County of Ontario.

9. The townships of East Gwillimbury, Georgina and North Gwillimbury in the County of York.

(1444)

44

Publications Under The Regulations Act

November 7th, 1964

THE MINING ACT

O. Reg. 291/64.

Forms.

Made—October 8th, 1964.

Filed—October 27th, 1964.

REGULATION MADE UNDER THE MINING ACT

1. Form 14 of Regulation 441 of Revised Regulations of Ontario, 1960 is revoked and the following substituted therefor:

Form 14

The Mining Act

TRANSFER OF UNPATENTED MINING CLAIM(S)

I,.....the recorded holder of.....interest in Mining Claim(s) (specify interest held)

No.(s)..... (each claim number must be listed separately)

as transferor in consideration of.....dollars paid to me transfer.....interest in (specify interest transferred)

Mining Claim(s) No.(s)..... (each claim number must be listed separately)

..... (township(s) or area(s))

to.....

..... (address)

the holder of Miner's Licence No..... as transferee.

Dated at.....this....day of....., 19..

..... (signature of witness) (signature of transferor)

When transferee is not a resident of Ontario,

Name.....

Residence in Ontario.....and

Post office address.....

of person upon whom service may be made.

(1445)

45

THE GAME AND FISH ACT, 1961-62

O. Reg. 292/64.

Waters Set Apart.

Made—October 7th, 1964.

Filed—October 30th, 1964.

REGULATION MADE UNDER THE GAME AND FISH ACT, 1961-62

1. Schedule 19 to Ontario Regulation 226/63 is revoked.

A. K. ROBERTS,
Minister of Lands and Forests.

Dated at Toronto, this 7th day of October, 1964.

(1457)

45



Publications Under The Regulations Act

November 14th, 1964

**THE CONFEDERATION CENTENNIAL ACT,
1962-63**

O. Reg. 293/64.
Grants.
Made—October 29th, 1964.
Filed—November 2nd, 1964.

**REGULATION MADE UNDER
THE CONFEDERATION CENTENNIAL ACT,
1962-63**

1. Subsection 1 of section 2 of Ontario Regulation 322/63 is amended by striking out "1st day of August, 1964" in the fourth line and inserting in lieu thereof "5th day of August, 1965".

2. Clause *e* of subsection 2 of section 3 of Ontario Regulation 322/63 is amended by striking out "permanently" in the second line.

(1477)

46

THE PHARMACY ACT

O. Reg. 294/64.
Registration and Apprenticeship.
Made—October 9th, 1964.
Approved—October 29th, 1964.
Filed—November 3rd, 1964.

**REGULATION MADE UNDER
THE PHARMACY ACT**

1. Section 17 of Regulation 480 of Revised Regulations of Ontario, 1960, as amended by section 3 of Ontario Regulation 234/63, is further amended by adding thereto the following subsection:

(4) The fee for registration as a student under Part IV is \$2.

2.—(1) Clause *a* of section 18 of Regulation 480 of Revised Regulations of Ontario, 1960, as remade by section 4 of Ontario Regulation 234/63, is amended by striking out "\$30" in the second line and inserting in lieu thereof "\$40".

(2) Clause *aa* of the said section 18, as made by section 4 of Ontario Regulation 234/63, is amended by striking out "\$15" in the second line and inserting in lieu thereof "\$20".

(3) Clause *c* of the said section 18 is amended by striking out "*a* and *b*, \$25" in the third and fourth lines and inserting in lieu thereof "*a*, *aa* and *b*, \$50".

(4) Clause *d* of the said section 18 is amended by striking out "\$25" in the third line and inserting in lieu thereof "\$50".

3. Regulation 480 of Revised Regulations of Ontario, 1960, as amended by Ontario Regulation 234/63, is further amended by adding thereto the following Part:

PART IV

REGISTRATION OF STUDENTS

19. On or before the 1st day of December of the first year of his attendance in the course of study at the University of Toronto leading to a degree of Bachelor of Science in Pharmacy, a student shall file with the Registrar an application for registration in Form 6 and pay the prescribed fee.

4. Regulation 480 of Revised Regulations of Ontario, 1960, as amended by Ontario Regulation 234/63, is further amended by adding thereto the following Form:

Form 6

The Pharmacy Act

APPLICATION FOR STUDENT REGISTRATION

First Given Name	Second Given Name	Third Given Name, if any	Surname (in block letters)
Permanent Address		Toronto Address	Telephone
Birthplace		Date of Birth Month..... Day..... Year.....	Age
Educational Institutions Attended:		From	To
Elementary School		19	19
		19	19
Continuation or High School or Collegiate Institute		19	19
		19	19
College or University		19	19

R. J. ELLINGHAUSEN, *President*
 D. W. KEMP, *Vice-President*
 G. I. CROOKS
 R. ERNEST WILTON,
 C. J. WADE
 W. ISAACSON
 W. H. LEONARD
 C. L. WILLISON

DON L. MACINNES
 A. G. DICKIE
 K. J. WILEY,
 GEORGE G. CALDWELL
 K. KALBFLEISCH
 H. C. SELDON
 A. F. ASTLEY
 F. N. HUGHES

Dated at Toronto, this 9th day of October, 1964.

(1480)

46

THE MENTAL HOSPITALS ACT

O. Reg. 295/64.
 General.
 Made—October 29th, 1964.
 Filed—November 3rd, 1964.

**REGULATION MADE UNDER
 THE MENTAL HOSPITALS ACT**

1. Subsection 1 of section 13 of Regulation 416 of Revised Regulations of Ontario, 1960 is revoked and the following substituted therefor:

- (1) The minimum rate for which a patient, his estate or the person liable for his maintenance is liable in the general wards of any institution is \$2 a day and, where the patient's condition requires special care and treatment, such further charges may be made as the superintendent determines.

(1481)

46

THE AIR POLLUTION CONTROL ACT

O. Reg. 296/64.
 Industrial Sources.
 Made—October 22nd, 1964.
 Approved—October 29th, 1964.
 Filed—November 3rd, 1964.

**REGULATION MADE UNDER
 THE AIR POLLUTION CONTROL ACT**

INDUSTRIAL SOURCES

1. An application for approval of the plans and specifications for the construction of an industrial source shall be submitted to the provincial officer in Form 1 and shall be accompanied by the plans and specifications in duplicate.

2.—(1) Each application submitted for approval shall be accompanied by a report showing,

- (a) the expected composition of the effluent stream of air, both before and after passing through any air-cleaning device, including emission rate, concentration, volume and temperature of the effluent stream of air and the expected physical characteristics of particulates;
- (b) the size, type and performance characteristics of air-cleaning devices;
- (c) the location and elevation of the emission point of the effluent stream of air and other factors relating to dispersion and diffusion of the air contaminant in the outer air, and the relation of the emission point to nearby structures, window openings and other relevant information necessary to appraise the possible effects of the effluent; and
- (d) the location of proposed points for sampling the effluent stream of air,

and such other relevant information as is required by the provincial officer.

(2) Where an application is refused, the provincial officer shall notify the applicant in writing of the reason or reasons for refusal.

(3) Where construction of an industrial source for which the plans and specifications have been approved is not commenced within one year of the date of the approval, the approval is void.

3.—(1) In this section, "trial installation" means an industrial source in respect of which there is not sufficient precedent or experience to predict the quantity or type of air contaminant in the effluent stream of air.

(2) Subsection 2 of section 6a of the Act applies to all industrial sources except,

- (a) an installation for the preparation of food for on-site human consumption;
- (b) a bakery supplying not more than one retail outlet;
- (c) dry cleaning establishments;
- (d) domestic and apartment incinerators; or
- (e) trial installations.

(3) No person shall begin to construct a trial installation unless he has notified the provincial officer of,

- (a) the location of the trial installation, specifying the building and the section or part of the building in which it is located;
- (b) possible or anticipated emissions of air contaminants;
- (c) the name by which the trial installation or equipment is known in the plant or works; and

- (d) the time interval for which the exemption is requested.

(4) A trial installation is exempt from the application of subsection 2 of section 6a of the Act only for the time necessary to ascertain the quantity and type of air contaminant in the effluent air stream, as consented to by the provincial officer.

4.—(1) Within thirty days after any person has constructed an industrial source he shall send a report in writing to the provincial officer showing,

- (a) the date of the completion of the construction of the industrial source and the date when the industrial source was put into operation or will be put into operation;
- (b) the date when he will test the industrial source and the location of the place where the tests will be performed; and
- (c) the names of the persons who will perform the tests.

(2) The tests referred to in subsection 1 shall be performed in accordance with the conditions upon which the approval of the plans and specifications for the industrial source was based.

(3) When the tests have been completed, the provincial officer shall report to the owner of the industrial source whether the tests showed that the installation was operating in accordance with the conditions upon which the approval for the plans and specifications was based.

5.—(1) All air-cleaning devices used to effect compliance with this Regulation shall be installed, maintained and operated in a manner sufficient to ensure that the installation performs in accordance with the conditions upon which the approval for the plans and specifications was based.

(2) The owner of an industrial source for which the plans and specifications have been approved shall report to the provincial officer,

- (a) where the provincial officer so requests, the results of tests made at intervals specified by the provincial officer to assure compliance with the conditions upon which the approval for the plans and specifications was based; and
- (b) any change in operating conditions from those approved in the original application for approval, within thirty days of the occurrence of the change.

M. B. DYMOND,
Minister of Health.

Dated at Toronto, this 22nd day of October, 1964.

Form 1

The Air Pollution Control Act

APPLICATION FOR APPROVAL OF PLANS AND SPECIFICATIONS FOR THE CONSTRUCTION OF AN INDUSTRIAL SOURCE

Under the Act and the regulations the undersigned,

as owner

or agent,

applies for approval of the plans and specifications, submitted herewith in duplicate, for the construction of,

a new industrial source

a modification or addition to an existing industrial source

an air-cleaning device

an incinerator

and submits the following information:

1. The owner of the industrial source is..... (name of owner) (postal address of owner)

2. The industrial source is located at..... (number, street or road) (city or town) (village or township)

3. Plans and specifications prepared by: (name) (postal address)

4. The expected composition of the effluent stream of air is.....

5. Quantity of effluent stream of air: (a) Average emission rate potential — pounds per hr..... (b) Maximum emission rate potential — pounds per hr.....

6. The air-cleaning equipment consists of: Type..... Manufacturer..... Catalogue No.....

Operating Conditions: (a) Discharge quantity..... (b) Pressure..... (c) Temperature.....

Contaminant concentration at inlet to air-cleaning device..... Expected efficiency of removal.....

7. Expected completion date..... Dated the..... of..... 19..... (name of applicant)

of..... (postal address of applicant) By..... (signature) (official capacity)

**THE CHARITABLE INSTITUTIONS ACT,
1962-63**

O. Reg. 297/64.

General.

Made—October 29th, 1964.

Filed—November 3rd, 1964.

**REGULATION MADE UNDER
THE CHARITABLE INSTITUTIONS ACT,
1962-63**

GENERAL

INTERPRETATION

1. In this Regulation,

- (a) "architect" means an architect who is a member in good standing of the Ontario Association of Architects;
- (b) "board" means the board of directors of an approved corporation or a charitable institution;
- (c) "physician" means a duly qualified medical practitioner;
- (d) "professional engineer" means a professional engineer who is a member in good standing of the Association of Professional Engineers of the Province of Ontario;
- (e) "resident" means a person for whom residential, sheltered, specialized or group care is provided in a charitable institution.

APPROVAL AND SPECIFICATION

2.—(1) The corporations listed in Schedule 1 are approved for the purposes of the Act.

(2) The charitable institutions listed in Schedule 2 are approved for the purposes of the Act and are specified as homes for mothers in which mothers of children born or likely to be born out of wedlock may be cared for.

(3) The charitable institutions listed in Schedule 3 are approved for the purposes of the Act and are specified as homes for the aged in which elderly persons may be cared for.

(4) The charitable institutions listed in Schedule 4 are approved for the purposes of the Act and are specified as charitable institutions in which persons other than those mentioned in subsection 2 or 3 may be cared for.

(5) The correctional institutions listed in Schedule 5 are approved for the purposes of the Act.

(6) The hostels listed in Schedule 6 are approved for the purposes of the Act.

PART I

GENERAL

3.—(1) Subject to subsection 2, this Part applies to all approved corporations and charitable institutions.

(2) This Part, except section 4, subsection 1 of section 6 and section 10, does not apply to any hostel listed in Schedule 6 or to an approved corporation in respect of a hostel that it maintains and operates.

RULES GOVERNING CHARITABLE INSTITUTIONS

4. Every charitable institution shall be so constructed, furnished or equipped as to comply with,

- (a) any laws affecting the health of inhabitants of the municipality in which the institution is located;
- (b) any rules or regulations of the local board of health;
- (c) any by-laws or regulations enacted by the municipality to protect persons from fire hazards; and
- (d) any restricted area or building by-laws enacted by the municipality under section 30 or 31 of *The Planning Act*, or any predecessor thereof.

5.—(1) In every charitable institution the board shall provide,

- (a) nourishing meals at regular intervals prepared by or under the supervision of a competent person;
- (b) adequate and sanitary supplies of milk and drinking water;
- (c) sleeping accommodation for each resident in rooms with a minimum of,
 - (i) 400 cubic feet of air space and 50 square feet of floor space for each resident under sixteen years of age, and
 - (ii) 600 cubic feet of air space and 75 square feet of floor space for each resident sixteen years of age and over,

with the beds so placed that no bed overlaps a window or radiator and no bed at any point is nearer to any other bed than 2½ feet; and

- (d) toilet and bathing facilities that are readily accessible to all residents, with a minimum of one wash basin and one flush toilet for every five residents and one bathtub or shower for every twelve residents.

(2) The board shall ensure that a minimum temperature of 68° F. is maintained in the institution from the 1st day of October to the 31st day of May.

6.—(1) In every charitable institution the board shall ensure that,

- (a) all fire hazards in the institution are eliminated and that the recommendations of an officer authorized to inspect buildings under *The Fire Marshals Act* are carried out;
- (b) there is adequate protection from radiators or other heating equipment;
- (c) the water supplies are adequate for all normal needs including those of fire protection;
- (d) there are at least two separate means of egress to the outside from floors with sleeping accommodation;
- (e) the fire extinguishers, hose and standpipe equipment are inspected at least once each month;
- (f) the fire alarm system is inspected and tested at least once every two weeks;
- (g) the heating equipment and chimneys are inspected at least once every six months to ensure that they are in good repair and safe;
- (h) a written record is kept of the inspections and tests of the fire equipment, the fire alarm system, the heating system and chimneys;

- (i) the staff and, so far as possible, the residents know the method of sounding the fire alarm;
 - (j) the staff are trained in the proper use of the fire extinguishing equipment;
 - (k) a procedure is established that is to be followed when a fire alarm is given, including the duties of the staff and residents;
 - (l) the staff and residents are instructed in the procedure established under clause *k* and that the procedure is posted in conspicuous places in the institution;
 - (m) no matches, other than safety matches, are available to the staff or residents or used by them in or around the institution;
 - (n) a fire drill for the staff is held at least once each month;
 - (o) an inspection of the building is made each night to ensure that there is no danger of fire, and that the doors in the stairwells and smoke barriers are closed;
 - (p) adequate supervision is provided at all times for the security of the residents and the institution; and
 - (q) oxygen is not used or stored in the institution in a pressure vessel.
- (2) In every charitable institution the board shall,
- (a) arrange for suitable religious services to be available for all residents;
 - (b) provide opportunities for the residents to participate in recreational, rehabilitative and hobby-craft activities; and
 - (c) ensure that each resident receives, at all times, care adequate for and consistent with his individual needs.

QUALIFICATIONS, POWERS AND DUTIES OF STAFFS

7.—(1) A board shall appoint a person as superintendent of the charitable institution maintained and operated by it who shall be responsible to the board for the efficient management and operation of the institution.

(2) Each superintendent and staff member shall be a person who,

- (a) is sympathetic to the welfare of the residents;
- (b) has adequate knowledge, understanding and experience to recognize and meet the needs of the residents and the ability to cope with their problems; and
- (c) is of suitable age, health and personality to carry out his duties.

8.—(1) No board shall appoint a superintendent or person to act temporarily as superintendent or employ a person on the staff of the charitable institution maintained and operated by it until the person so appointed or employed has obtained from a physician a certificate certifying that he is,

- (a) free from active tuberculosis or other communicable or contagious disease; and
- (b) physically fit to undertake his duties in the institution.

(2) At least once a year the superintendent and each staff member of the institution shall obtain the certificate prescribed in subsection 1.

9. Where a resident of a charitable institution dies, the superintendent shall give notice of the death to a coroner other than a coroner who is the physician appointed under section 11 as the physician for the institution.

ADDITIONAL POWERS AND DUTIES OF PROVINCIAL SUPERVISORS

10.—(1) A provincial supervisor shall be given access at any time to any charitable institution or any part thereof for the purposes of inspection under subsection 1 of section 9 of the Act.

(2) A provincial supervisor shall inspect,

- (a) each charitable institution for the purpose of determining compliance with the Act and this Regulation and for any other purpose as required by the Minister;
- (b) the building or buildings and accommodation, the sanitary and eating facilities, the recreational, rehabilitative and hobby-craft facilities and equipment, the fire equipment and fire precautions; and
- (c) the dietary and appraise the nutritional standards for the residents including those on special diets.

MEDICAL AND RELATED OR ANCILLARY SERVICES

11. Each board shall appoint one or more physicians to each charitable institution maintained and operated by it to ensure that medical services are provided for each resident in accordance with his needs.

12.—(1) In this section, "attending physician" means a duly qualified medical practitioner other than the physician for a charitable institution who is appointed under section 11.

(2) All medical services, programs and procedures and medications provided or used in the institution are subject to the approval of the physician for the institution.

(3) The physician for the institution shall make an annual written report to the board summarizing the general health conditions of the residents, the medical and nursing services provided to them and the dietary standards in the institution and shall include in the report any recommendations that he deems necessary to ensure proper conditions of health and an adequate state of well-being for the residents, and shall make such other reports as the board or Minister requires.

(4) The physician for the institution shall,

- (a) inspect the sanitary conditions in the institution at least once a month;
- (b) report on such inspections to the board; and
- (c) take any steps that he deems necessary to correct unsanitary conditions.

(5) The physician for the institution shall attend and prescribe medication or treatment for any resident who has no attending physician of his own or who requests that the services of the physician for the institution be made available to him.

(6) At least once a year, each resident of the institution shall be given a complete medical examination by the physician for the institution or the attending physician.

(7) The physician for the institution or the attending physician shall make a detailed written report of the results of each medical examination of a resident and any recommendations pertaining thereto and the report shall be kept along with the other records of the resident.

(8) A resident shall be given such special diet as the physician for the institution or the attending physician directs.

13.—(1) Where an approved corporation maintains and operates a charitable institution that is listed in Schedule 2, 3 or 4, the board shall appoint at least one nurse or person with nursing experience to the staff of the institution and, where there are residents in bed care, at least one nurse so appointed shall be registered under *The Nurses Act, 1961-62*.

(2) Where an approved corporation maintains and operates a charitable institution that is listed in Schedule 5, the board shall ensure the provision of such nursing services in respect of any resident as are from time to time deemed necessary by the physician for the institution or the attending physician.

14.—(1) Subject to subsection 2, before admitting a person to a charitable institution, the superintendent or board shall ensure that the person has been given a medical examination by a physician, who may be a physician appointed under section 11, including a skin test for tuberculosis, and the physician has certified in writing that the person is free from active tuberculosis or other communicable or contagious disease.

(2) Where it is in the best interest of the welfare of a person that he be admitted to a charitable institution and he cannot be medically examined or certified to be free from active tuberculosis or other communicable or contagious disease as required by subsection 1, the person may be admitted to the institution if he is kept in isolation from other residents until subsection 1 is complied with.

(3) A record of the medical examination of each person admitted to the institution shall be kept therein together with any recommendations made by the physician for medical treatment, immunization or for the special needs of the person.

APPLICATIONS FOR GRANTS AND PAYMENTS UNDER SECTION 5 OR 6 OF THE ACT

15.—(1) An application for a grant under clause *a* of section 5 or clause *a* of section 6 of the Act shall be made in triplicate in Form 1.

(2) An applicant for a grant under clause *a* of section 5 of the Act in respect of the erection of a new building or an addition to an existing building used or to be used as a charitable institution shall file with the Minister two copies of,

- (a) the site plan showing the location of the building on the site; and
- (b) the plans and specifications, prepared by an architect, showing the construction, equipment and arrangements of the institution.

(3) An applicant for a grant under clause *a* of section 6 of the Act in respect of the acquisition of a building to be used as a charitable institution shall file with the Minister two copies of,

- (a) the site plan showing the location of the building on the site; and
- (b) a structural sketch of the building showing the areas to be used as the institution.

16.—(1) A payment in respect of a grant under clause *a* of section 5 or clause *a* of section 6 of the Act shall not be made unless the recipient applies for the payment in triplicate in Form 2.

(2) An advance payment of a grant under clause *a* of section 5 of the Act amounting to not more than,

- (a) \$1,250 per bed of the total bed capacity; or
- (b) 25 per cent of the estimated cost of completion,

of the new building or addition, whichever is the lesser, may be made during the construction thereof when the new building or addition is at least 50 per cent completed as certified by an architect or professional engineer, in triplicate, in Form 3.

(3) An application for payment of a grant under clause *a* of section 5 or clause *a* of section 6 of the Act in respect of a building or addition that is completed and ready for use and occupancy shall be accompanied by,

- (a) the certificate of an auditor certifying,
 - (i) the actual total cost of the erection, addition or acquisition to the corporation, and
 - (ii) that all accounts have been paid and, where applicable, that all refundable sales tax has been refunded; and
- (b) the certificate of an architect or professional engineer, in triplicate, in Form 3, certifying that the erection, addition or acquisition is completed in accordance with the plans or structural sketch approved by the Minister and that the building is ready for use as a charitable institution and occupancy.

17. The capital cost of land, where applicable, and of furnishing and equipping a new building, an addition to an existing building or an acquired building used or to be used as a charitable institution may be included in computing the cost thereof to an approved corporation for the purposes of clause *a* of section 5 or clause *a* of section 6 of the Act.

PAYMENTS UNDER SECTION 7 OF THE ACT

18.—(1) An application by an approved corporation for a payment under section 7 of the Act shall be made monthly in triplicate in Form 4 and shall be furnished to the Minister not later than the 20th day of each month for the immediately preceding month.

(2) The amount to be paid by the Province to an approved corporation under subsection 1 of section 7 of the Act shall be computed in accordance with Part II of Form 4 and clause *a* of paragraph 13 of that Part.

(3) The amount to be paid by the Province to an approved corporation under subsection 2 of section 7 of the Act shall be computed in accordance with Part II of Form 4 and clause *b* of paragraph 13 of that Part.

(4) For the purpose of an application in Form 4 by an approved corporation in respect of a charitable institution that is listed in Schedule 2, 3 or 4, "net cost of care and maintenance" means the actual average daily cost to the corporation for the care and maintenance of each person resident in the institution maintained and operated by the corporation during the year ending with the immediately preceding 31st day of December, including fees paid to a physician appointed under section 11 not exceeding,

- (a) where the institution maintains a bed-care unit, \$2 per month for each bed in the institution on the 31st day of December of that year; or
- (b) where the institution does not maintain a bed-care unit, \$1.75 per month for each bed in the institution on the 31st day of December of that year,

but not including any cost in excess of,

- (c) \$6 daily per person where the Minister is satisfied that the institution maintains a bed-care unit that consists of at least twenty beds; and

(d) \$4 daily per person in all other cases.

(5) For the purpose of an application in Form 4 by an approved corporation in respect of a correctional institution that is listed in Schedule 5, "net cost of care and maintenance" means the actual average daily cost to the corporation for the care and maintenance of each person resident in the institution maintained and operated by the corporation during the year ending with the immediately preceding 31st day of December, but not including any cost in excess of \$5 daily per person.

(6) Where a resident of the charitable or correctional institution is not paying any part of the net cost of his care and maintenance therein and is able to pay the whole or part of such cost as determined by the provincial supervisor, that resident shall not be taken into account for the purposes of computing the provincial subsidy in Form 4.

(7) Where a resident of the charitable or correctional institution is able to pay more of the net cost of his care and maintenance therein than he is paying, the additional amount that the provincial supervisor determines to be payable by the resident shall be calculated as if it has been paid, for the purposes of computing the provincial subsidy in Form 4.

RECORDS AND RETURNS

19.—(1) The superintendent of a charitable institution shall keep a written record and file for each resident.

(2) The record shall set forth in respect of each resident,

- (a) his name, age and sex and his address prior to his admission to the institution;
- (b) the names, addresses and occupations of his parents, where applicable, or of his relatives, next-of-kin or other interested persons;
- (c) his personal and family history;
- (d) the date and circumstances of and reasons for his admission to the institution;
- (e) the current terms of payment for the care and maintenance of the resident;
- (f) a record of all medical, X-ray, psychiatric, psychological or other similar examinations or tests, together with the findings and recommendations;
- (g) a record of all illnesses, accidents and admissions to hospitals;
- (h) observations on the conduct and behaviour of the resident while residing in the institution;
- (i) an account or history of any other matter that might affect the well-being or progress of the resident;
- (j) the date and circumstances when the resident is discharged or voluntarily withdraws from the institution;
- (k) the name and address of the person and relationship, if any, in whose charge the resident was placed at the time of discharge or the name and address of the institution to which the resident was discharged; and
- (l) where the resident dies, a report of the time, date and circumstances of the death, the name and address of the person, if any, who claims the body, the date that the notice of death is given to the coroner in accordance with section 9 and the name of the coroner.

20.—(1) Each corporation shall keep separate books of account and ledgers for each charitable institution operated by it.

(2) The books of account and ledgers shall,

- (a) set forth the revenue and expenditures of the institution;
- (b) contain a separate record of money received by the institution from sources other than under the Act; and
- (c) be audited twice a year by a chartered accountant or a licensed public accountant.

(3) Each corporation shall keep a separate statement of account for each resident in each institution operated by it of the charges made for the care and maintenance of the resident and the amounts paid to the corporation on his behalf, other than the amounts paid to the corporation on his behalf by a municipality.

21. Each corporation shall furnish to the Minister, not later than the 15th day of February in each year for the year ending with the immediately preceding 31st day of December,

- (a) a financial report in duplicate in Form 5 for each charitable institution maintained and operated by it and the report shall be certified by a chartered accountant or a licensed public accountant; and
- (b) a record of residents in duplicate in Form 6.

RECOVERY BY A CORPORATION OR THE PROVINCE

22.—(1) A corporation is entitled to recover without interest from a resident or former resident of a charitable institution or from the estate of the resident as a debt due to the corporation the amount of the costs paid by the corporation on behalf of the resident for his care and maintenance in the institution notwithstanding that a provincial subsidy has been paid in respect of the costs.

(2) The Crown in right of Ontario is subrogated to the right of the corporation to recover costs under subsection 1.

(3) Where costs in respect of which a provincial subsidy has been paid under section 7 of the Act are recovered under subsection 1 or 2, the Province is entitled to the same percentage of the amount recovered as the percentage on which the contribution by the Province to the corporation in respect of the amount recovered was based.

PART II

ADDITIONAL RULES GOVERNING CHARITABLE INSTITUTIONS IN SCHEDULES 2, 4 AND 5

23. This Part applies to the charitable institutions listed in schedules 2, 4 and 5 where any resident thereof is under sixteen years of age.

24.—(1) Each resident of a charitable institution who is under sixteen years of age shall, with the written permission of his parent or guardian, be immunized as required by the local medical officer of health.

(2) The superintendent of a charitable institution shall prepare at six-month intervals a statement of the future plans for the care and maintenance of each resident who is under sixteen years of age and shall retain the statement in the resident's file.

25. A board shall,

- (a) provide for the educational requirements of each school-age resident in a manner most suited to his needs;

- (b) provide opportunities for the religious education of each school-age resident;
- (c) provide vocational guidance for each school-age resident and encourage his opportunity to develop a vocation; and
- (d) establish and maintain a day nursery within the meaning of *The Day Nurseries Act*, where there are more than three residents who are,
 - (i) under seven years of age,
 - (ii) not of common parentage, and
 - (iii) not attending school, a licensed day nursery, or a nursery school or kindergarten conducted as part of a public school under *The Public Schools Act* or a separate school under *The Separate Schools Act*, or as part of a school, college, academy or other educational institution that is giving instruction equivalent to that given in grades 1 to 8, both inclusive, in a public or separate school.

PART III

APPLICATIONS FOR GRANTS AND PAYMENTS
IN RESPECT OF HOSTELS

26. This Part applies to the hostels listed in Schedule 6.

27.—(1) An application for a grant under clause *b* of section 5 or clause *b* of section 6 of the Act shall be made in triplicate in Form 7.

(2) An applicant for a grant under clause *b* of section 5 of the Act in respect of the erection of a new building or an addition to an existing building used or to be used as a hostel shall file with the Minister two copies of,

- (a) the site plan showing the location of the building on the site; and
- (b) the plans and specifications, prepared by an architect, showing the construction, equipment and arrangements of the hostel.

(3) An applicant for a grant under clause *b* of section 6 of the Act in respect of the acquisition of a building to be used as a hostel shall file with the Minister two copies of,

- (a) the site plan showing the location of the building on the site; and
- (b) a structural sketch of the building showing the areas to be used as the hostel.

28.—(1) A payment in respect of a grant under clause *b* of section 5 or clause *b* of section 6 of the Act shall not be made unless the recipient applies for the payment in triplicate in Form 8.

(2) An advance payment of a grant under clause *b* of section 5 of the Act amounting to not more than,

- (a) \$750 per bed of the total bed capacity; or
- (b) 15 per cent of the estimated cost of completion,

of the new building or addition, whichever is the lesser, may be made during the construction thereof when the new building or addition is at least 50 per cent completed as certified by an architect or professional engineer, in triplicate, in Form 9.

(3) An application for payment of a grant under clause *b* of section 5 or clause *b* of section 6 of the Act in respect of a building or addition that is completed and ready for use and occupancy shall be accompanied by,

- (a) the certificate of an auditor certifying,
 - (i) the actual total cost of the erection, addition or acquisition to the corporation,
 - (ii) that all accounts have been paid and, where applicable, that all refundable sales tax has been refunded, and
 - (iii) that an amount equal to at least 20 per cent of the cost of the erection, addition or acquisition has been paid to the corporation by the council of the municipality in which the building is situated; and
- (b) the certificate of an architect or professional engineer, in triplicate, in Form 9, certifying that the erection, addition or acquisition is completed in accordance with the plans or structural sketch approved by the Minister and that the building is ready for use as a hostel and occupancy.

29. The capital cost of land, where applicable, and of furnishing and equipping a new building, an addition to an existing building or an acquired building used or to be used as a hostel may be included in computing the cost thereof to an approved corporation for the purposes of clause *b* of section 5 or clause *b* of section 6 of the Act.

REVOCATION

30. Regulation 49 of Revised Regulations of Ontario, 1960, as amended by Ontario Regulations 134/61, 61/62, 327/62 and 278/63, is revoked.

Schedule 1

1. Adult Cerebral Palsy Institute of Metropolitan Toronto
2. Aged Women's Home Board
3. Anson House Board
4. Beattie Haven
5. Bronson Home Board
6. The Canadian National Institute for the Blind
7. The Carmelite Sisters of Canada
8. Elliott Home Board
9. The Evangelical United Brethren Church
10. Fairhaven House Incorporated
11. Grand Lodge of Ontario, Independent Order of Oddfellows
12. The Grey Nuns of the Cross
13. The Grey Sisters of the Immaculate Conception
14. The Harold King Farm
15. Humewood House Association
16. The Incorporated Synod of the Diocese of Toronto—Anglican Houses Association
17. The Jewish Home for the Aged Board

18. The Julia Greenshields Memorial Home Board
19. The Ladies' Benevolent Temperance Society of St. Thomas
20. Laughlen Lodge Board
21. Leamington United Mennonite Church
22. The Little Brothers of the Good Shepherd (Canada)
23. Markhaven Incorporated
24. Masaryk Memorial Hall Incorporated
25. May Court Club of Ottawa
26. The Mennonite Conference of Ontario
27. Mennonite Home Association of York County
28. The Nipponia Home Board
29. The Order of the Eastern Star, Ontario
30. The Order of the Sisters of the Good Shepherd
31. The Order of the Sisters of Misericorde
32. The Order of the Sisters of St. Joseph
33. Ottawa Jewish Home for the Aged Board
34. Parkwood Manor
35. The Pentecostal Benevolent Association of Ontario
36. The Presbyterian Church in Canada
37. The Protestant Home for the Aged Board
38. Religious Hospitaliers of St. Joseph
39. Roman Catholic Diocesan Council of London
40. St. Leonard's House, Windsor
41. St. Mary's Home Board
42. The Salvation Army
43. Sisters of Providence of St. Vincent de Paul
44. Sisters of St. John the Divine
45. Sisters of St. Joseph of the Diocese of London in Ontario
46. Sisters of St. Joseph of the Diocese of Peterborough in Ontario
47. The Sisters of St. Joseph of Sault Ste. Marie
48. The Toronto Aged Men's and Women's Homes Board
49. Toronto Diocesan Board of the Woman's Auxiliary of the Anglican Church of Canada
50. Ukrainian Home for the Aged
51. The United Church of Canada in Ontario
52. The United Mennonite Home for the Aged Board
53. Western Ontario Mennonite Conference Incorporated
54. The Widows' Home of Brantford Board
55. Women's Christian Association of London
56. The Working Boys' Home Board of Management
57. Zonta Club of Ottawa Incorporated

Schedule 2

1. Armagh, 927 Meadow Wood Road, Clarkson
2. Bethel Home, 664 Kennedy Road, Scarborough
3. Bethesda Home, 54 Riverview Avenue, London
4. Faith Haven, 461 Crawford Street, Windsor
5. Grace Haven, 245 James Street South, Hamilton
6. Humewood House, 40 Humewood Drive, Toronto
7. The Lakehead Florence Booth Home, 497A Lillie Street, Fort William
8. Mercy Shelter, 140 Park Avenue East, Chatham
9. Rosalie Hall, 3000 Lawrence Avenue East, Scarborough
10. St. Mary's Home, 383 Daly Avenue, Ottawa
11. The Salvation Army Girls' Home, 450 Pape Avenue, Toronto
12. The Salvation Army Girls' Home, 1140 Wellington Street, Ottawa
13. Victor Home, 1102 Broadview Avenue, Toronto

Schedule 3

1. Aged Women's Home, Sanatorium Road, Hamilton
2. Alexander Hall, 230 Strabane Avenue, Windsor
3. Anson House, 36 Anson Street, Peterborough
4. Bronson Home, 81 Bronson Avenue, Ottawa
5. Cambrian Hall (C.N.I.B.), 303 York Street, Sudbury
6. Carmel Heights, Springbank Road and Dundas Highway, Erindale
7. Church Home for the Aged, 87 Bellevue Avenue, Toronto
8. Clarkewood, 929 Bayview Avenue, Toronto
9. Cumberland Hall, 499 North Cumberland Street, Port Arthur
10. Edgewood Hall, 1686 Main Street West, Hamilton
11. The Elliott Home, 95 Delhi Street, Guelph
12. Fairhaven House, 123 Isabella Street, Toronto
13. Fairview Mennonite Home, 799 Concession Road, Preston
14. The Florence Nightingale Home, Church Street, Agincourt
15. Fred Victor Mission, 147 Queen Street East, Toronto
16. Hillcrest Lodge, 86 Cedar Street, Orillia
17. The Hillel Lodge, 181-185 Wurtemberg Street, Ottawa
18. Huronia Hall, 169 Borden Avenue North, Kitchener
19. House of Providence, Governor's Road, Dundas
20. House of Providence, (St. Joseph's Home for the Aged), 198 Hospital Street, Guelph

21. House of Providence, 115 Ordnance Street, Kingston
 22. House of Providence, 857 Richmond Street, London
 23. House of Providence, (Marycrest), Armour Road and St. Luke's Avenue, Peterborough
 24. Ina Grafton Gage Home, 2 O'Connor Drive, Toronto
 25. Isabel and Arthur Meighen Lodge, 100 Davisville Avenue, Toronto
 26. Ivan Franko Home, 35 High Park Gardens, Toronto
 27. The I.O.O.F. Home, 93 William Street, Barrie
 28. Jewish Home for the Aged, 3560 Bathurst Street, Toronto
 29. Julia Greenshields Memorial Home, 586 University Avenue, Toronto
 30. Laughlen Lodge, 87 Elm Street, Toronto
 31. Leamington Mennonite Home, Leamington
 32. Linwell Hall, 211 Queenston Street, St. Catharines
 33. Marianhill Home for the Aged, 695 McKay Street, Pembroke
 34. McCormack Home for the Aged, 1050 Richmond Street, London
 35. Mount Carmel Home, 78 Yates Street, St. Catharines
 36. Niagara Ina Grafton Gage Home, 413 Church Road, St. Catharines
 37. The Nipponia Home, R.R. 3, Beamsville
 38. Northdale Manor, 130 Lakeshore Road, New Liskeard
 39. Ottawa Home and Welfare Centre, 398 O'Connor Street, Ottawa
 40. Parkwood Manor, 75 Cardinal Street South, Waterloo
 41. The Protestant Home for the Aged, 954 Banks Street, Ottawa
 42. Providence Villa, 3276 St. Clair Avenue East, Scarborough
 43. Quinte-St. Lawrence Hall, 1052 Union Street West, Kingston
 44. Sacred Heart Class of the Good Shepherd Convent, 875 Lawrence Avenue West, Toronto
 45. St. Charles Home, 159 Bruyere Street, Ottawa
 46. St. Joseph's Manor, Red River Road, Port Arthur
 47. St. Patrick's Home, 380 Laurier Avenue West, Ottawa
 48. St. Paul's Home, 217 Water Street, Cornwall
 49. The Salvation Army Eventide Home, 255 St. Andrews Street, Galt
 50. The Salvation Army Eventide Home, 24 Clark Street West, Guelph
 51. The Salvation Army A. R. Goudie Eventide Home, 369 Frederick Street, Kitchener
 52. The Salvation Army Eventide Home, 1050 Jepson Street, Niagara Falls
 53. The Salvation Army Eventide Home, 248 Dufferin Street, Toronto
 54. The Salvation Army Sunset Lodge, 127 Peter Street North, Orillia
 55. Shepherd Lodge, Sheppard Avenue, Scarborough
 56. Strachan Houses, 790 Queen Street West, Toronto
 57. Thomas Williams Home, 57 Walnut Street, St. Thomas
 58. The Toronto Aged Men's and Women's Homes, 43, 51, 53 and 55 Belmont Street, Toronto
 59. Tweedsmuir Hall, 96 Ridout Street, London
 60. United Mennonite Home for the Aged, Second Street, Vineland
 61. Villa Maria, 2856 Riverside Drive West, Windsor
 62. Widows' Home of Brantford, 6 Sheridan Street, Brantford
 63. Zonta House, 15 Delaware Avenue, Ottawa
- Schedule 4**
1. Beverley Lodge, 417 King Street East, Toronto
 2. Ingles House, 344 Dundas Street West, Toronto
 3. May Court Convalescent Home, 114 Cameron Avenue, Ottawa
 4. Rose Marie Heights, 695 Bancroft Drive, Sudbury
 5. The Salvation Army House of Concord, Concord
 6. The Working Boys' Home, 2 Montcrest Boulevard, Toronto
- Schedule 5**
1. The Harold King Farm, Keswick
 2. St. Leonard's House, 491 Victoria Avenue, Windsor
- Schedule 6**
1. Fred Victor Mission, 147 Queen Street East, Toronto
 2. Good Shepherd Refuge, 412 Queen Street East, Toronto
 3. London Rescue Mission, 459 York Street, London
 4. Salvation Army Rehabilitation Hostel, 516 Richmond Street West, Toronto

Form 1

The Charitable Institutions Act, 1962-63

APPLICATION FOR GRANT UNDER SECTION 5(a) OR 6(a) OF THE ACT

(Check (✓) where applicable)

1. The..... (name of corporation)

..... (address)

incorporated under Part III of The Corporations Act on....., 19..... (date)

hereby applies for a grant under,

Section 5(a) Section 6(a)

of the Act, in respect of,

Under Section 5(a)

Under Section 6(a)

the erection of a new building

the acquisition of a building

the erection of an addition to an existing building

used or to be used as a charitable institution,

(a) known or to be known as:

..... (name of institution)

(b) situated or to be situated at:

..... (address)

(c) consisting or to consist of..... building(s); and

(d) having or to have a total bed capacity of..... beds.

2. The estimated capital cost of the charitable institution is as follows:

(a) for the erection of the new building or addition, or for the acquisition of the building } \$

(b) for land, where applicable..... \$

(c) for furnishings and equipment..... \$

TOTAL CAPITAL COST \$

3. The Corporation intends to finance this cost in the following manner:

(a) from funds of the Corporation..... \$

(b) Provincial grant:

Under Section 5(a)

\$2,500 per bed or 50% of the capital cost, whichever is the lesser;

or

Under Section 6(a)

\$750 per bed or 50% of the capital cost, whichever is the lesser.

(c) TOTAL CAPITAL COST..... \$

4. The Corporation expects that the building will be ready for use as a charitable institution and occupancy on or about theday of....., 19....

Dated at....., this.....day of....., 19....

.....
(signature of authorized officer of corporation)

.....
(signature of authorized officer of corporation)

Form 2

The Charitable Institutions Act, 1962-63

APPLICATION FOR PAYMENT OF GRANT UNDER SECTION 5(a) OR 6(a) OF THE ACT

(Check (✓) where applicable)

1. The
(name of corporation)

.....
(address)

hereby applies for payment of a grant under section 5(a) or 6(a) of The Charitable Institutions Act, 1962-63, in the amount of,

\$ []

in accordance with the amount determined in,

- Schedule A (section 5(a))
 - Schedule B (section 6(a))
- } to this Form.

2. The name and address of the charitable institution is as follows:
.....
(name of institution)

.....
(address)

3. The charitable institution,
- (a) consists or will consist ofbuilding(s);
 - (b) has or will have a total bed capacity ofbeds; and
 - (c) was or will be ready for use as a charitable institution and occupancy on....., 19....
(date)

4. Application for the above grant was made in Form 1 on....., 19....
(date)

5. The information in Schedule A or B to this Form is true and correct.

Dated at....., this.....day of....., 19....

.....
(signature of authorized officer of corporation)

.....
(signature of authorized officer of corporation)

Schedule A

GRANT UNDER SECTION 5(a) OF THE ACT

(Check (✓) where applicable)

- 1. Total bed capacity of new building }beds.
 addition }
- 2.beds @ \$2,500 per bed.....\$.....
- 3. Estimated Cost OR Actual Cost:
 - (a) for construction.....\$.....
 - (b) for land.....\$.....
 - (c) for furnishings and equipment.....\$..... \$.....
- 4. 50 per cent of estimated cost }\$.....
 actual cost }
- 5. Total amount of provincial grant—the lesser of items 2 and 4..... \$
- 6. Payment applied for in this application:
 - (a) 50% of item 5, where new building or addition is at least 50 per cent completed.....\$.....
 - (b) 50% of item 5, where new building or addition is completed and ready for use and occupancy.....\$.....
 - (c) Total amount of provincial grant—item 5—where new building or addition is completed and ready for use and occupancy.....\$.....

NOTES:

- 1. Where application for payment is made in clause (a) of item 6 of Schedule A, the application shall be accompanied by the certificate of an architect or professional engineer in Form 3.
- 2. Where application for payment is made in clause (b) or (c) of item 6 of Schedule A, the application shall be accompanied by:
 - (i) the certificate of an auditor certifying the actual total cost of the new building or addition, that all accounts have been paid and, where applicable, all refundable sales tax has been refunded, and
 - (ii) the certificate of an architect or professional engineer in Form 3.

Schedule B

GRANT UNDER SECTION 6(a) OF THE ACT

- 1. Total bed capacity of acquired buildingbeds.
- 2.beds @ \$750 per bed.....\$.....
- 3. Actual cost of the building.....\$.....
- 4. 50 per cent of item 3.....\$.....
- 5. Payment applied for—the lesser of items 2 and 4..... \$

NOTE: Where application for payment is made in item 5 of Schedule B, the application shall be accompanied by,

- (i) the certificate of an auditor certifying the actual total cost of the acquired building, that all accounts have been paid and, where applicable, all refundable sales tax has been refunded, and
- (ii) the certificate of an architect or professional engineer in Form 3.

Form 3

The Charitable Institutions Act, 1962-63

CERTIFICATE OF ARCHITECT OR PROFESSIONAL ENGINEER

(Check (✓) where applicable)

I,, a member in good standing of the:
(full name)

- Ontario Association of Architects
Association of Professional Engineers of the Province of Ontario

hereby certify:

1. THAT I have personally and carefully inspected the,

- new building being erected or erected; or
addition to an existing building being erected or erected; or
building acquired

by.....
(name of corporation)

.....
(address)

for use as a charitable institution.

2. THAT the charitable institution:

(a) is situated at.....
(address)

(b) will consist or consists ofbuilding(s);

(c) will have or has a total bed capacity ofbeds;

- is a new building or an addition being erected and is at least 50 per cent completed as of the date of the application of the Corporation in Form 2; or
is a new building or an addition, erected and completed, and is ready for use and occupancy; or
is an acquired building and is ready for use and occupancy.

3. THAT to the best of my knowledge, information and belief,

(a) the building conforms to:

- the plans and specifications,
the structural sketch,

copies of which the authorized officers of the Corporation inform me were filed with the Minister and subsequently approved by him; and

(b) the capital cost of the building is as follows:

- for the erection of the new building or addition; or
for the acquisition of the building }\$
for land, where applicable.\$
for furnishings and equipment.\$
TOTAL CAPITAL COST.\$

Dated at....., this.....day of....., 19....

.....
(signature)

.....
(address of professional office)

Form 4

The Charitable Institutions Act, 1962-63

APPLICATION FOR MONTHLY PAYMENT OF PROVINCIAL SUBSIDY UNDER SECTION 7(1) OR 7(2) OF THE ACT

For the Month of, 19....

Name of Charitable Institution:.....

Address:.....

Name of Corporation operating Charitable Institution:.....

PART I: STATISTICAL

	COLUMN 1	COLUMN 2	COLUMN 3
	Number of Residents	Number of Resident Days	Revenue (see Note 1)
1. Total residents during month			
2. Residents in the care and custody of a children's aid society under <i>The Child Welfare Act</i> (see Note 2)....			
3. NET number of residents (deduct 2 from 1)			
4. Residents in item 3 who are paying the full amount of the net cost of care and maintenance of \$..... or more (see Note 3).....			
5. Residents in item 3 who are <i>not</i> paying the full amount of the net cost of care and maintenance (deduct 4 from 3).....			
6. Residents in item 3 who are able to pay the whole or part of the net cost of care and maintenance but making no payment.....			
7. Residents for the purposes of the provincial subsidy (deduct 6 from 5) (see Note 4).....			

PART II: COMPUTATION OF PROVINCIAL SUBSIDY

8. MULTIPLY:

..... X \$.....
 (number of resident days recorded in item 7 of Part I) (net cost of care and maintenance)

9. DEDUCT:

- (a) amounts paid or payable for the current month by or on behalf of the residents recorded in item 7 of Part I (exclude municipal revenue)..... \$.....
- (b) amounts paid or payable for the current month by municipalities for the care and maintenance of residents (exclude municipal donations or grants)..... \$.....
- (c) amounts of income retained for personal use by the residents recorded in item 7 of Part I in excess of 15% of their monthly incomes..... \$.....
- (d) additional amounts determined by the provincial supervisor to be payable for the current month by or on behalf of the residents recorded in item 7 of Part I (see Note 5)..... \$..... \$.....

10. BALANCE: (8 less total of 9)..... \$=====

11. ADJUSTMENTS:

(1) ADD,

(a) amounts recorded as payable in item 9 (a) or 9 (b) of Part II for previous months, now deemed uncollectable and to be written off..	\$.....	
(b) amounts recorded in item 9 (a) or 9 (b) of Part II for the current or previous months that have been refunded to residents.....	\$.....	
(c) other (specify).....	\$.....	\$.....
		SUB-TOTAL
		\$.....

(2) DEDUCT,

(a) amounts recovered for arrears from or on behalf of residents for whom the provincial subsidy was previously claimed or paid.....	\$.....	
(b) other (specify).....	\$.....	\$.....

12. Cost to Corporation for purposes of Provincial Subsidy..... \$=====

13. PROVINCIAL SUBSIDY:

(a) Under section 7(1) of the Act in respect of a charitable institution listed in Schedule 2, 3 or 4 to the Regulation—75% of item 12.....	\$.....
(b) Under section 7 (2) of the Act in respect of a correctional institution listed in Schedule 5 to the Regulation—50% of item 12.....	\$.....

14. CERTIFICATE:

We certify that to the best of our knowledge and belief the above statements are true and correct and are in agreement with the records of the institution.

.....
 (treasurer)

 (chairman of board or superintendent)

Date....., 19....

NOTES:

1. *Re column 3, item 1 of Part I:* In column 3, "Revenue" does not include the amounts paid or payable in the current month on behalf of residents by the corporation that maintains and operates the institution or by a municipality.
2. *Re item 2 of Part I:* Record, in item 2 of Part I, all residents (and the data pertaining thereto) who are the responsibility of a children's aid society or who have been admitted to the institution on the application of a children's aid society regardless of whether payments in respect of the cost of care and maintenance are being made or received and whether or not the actual payments meet the total cost of the care and maintenance provided.
3. *Re item 4 of Part I:*
 - (a) In respect of a charitable institution listed in Schedule 2, 3 or 4 to the Regulation, "net cost of care and maintenance" means the actual average daily cost to the corporation for the care and maintenance of each person resident in the institution maintained and operated by the corporation during the year ending with the immediately preceding 31st day of December, but not including any cost in excess of,
 - (i) \$6 daily per person where the institution maintains an approved bed-care unit consisting of at least 20 beds, and
 - (ii) \$4 daily per person in all other cases.
 - (b) In respect of a correctional institution listed in Schedule 5 to the Regulation, "net cost of care and maintenance" means the actual average daily cost to the corporation for the care and maintenance of each person resident in the institution maintained and operated by the corporation during the year ending with the immediately preceding 31st day of December, but not including any cost in excess of \$5 daily per person.
4. *Re item 7 of Part I:* Where a resident of a charitable or correctional institution is not paying any part of the net cost of his care and maintenance therein and is able to pay the whole or part of such cost as determined by the provincial supervisor, that resident shall not be taken into account for the purposes of computing the provincial subsidy.
5. *Re Item 9 (d) of Part II:* Where a resident of a charitable or correctional institution is able to pay more of the net cost of his care and maintenance therein than he is paying, the additional amount that the provincial supervisor determines to be payable by the resident shall be calculated as if it has been paid, for the purposes of computing the provincial subsidy.

Form 5

The Charitable Institutions Act, 1962-63

FINANCIAL REPORT

For the Year ending December 31st, 19.....

Name of Charitable Institution:.....
 Address:.....
 Name of Corporation:.....

OPERATING ACCOUNT—REVENUE

1. Payments For Maintenance of Residents:

- i. From Province of Ontario for residents from unorganized territory.....
- ii. From municipalities (specify municipality and amount received).....

- iii. From Indian Affairs Branch (Canada).....
- iv. From children's aid societies.....
- v. From parents or guardians of children.....
- vi. From paying residents: (include only amounts applied against maintenance costs)
 - a. Recipients of old age assistance or blind or disabled persons' allowances
 - b. Others, including recipients of old age security.....
- vii. From estates of deceased residents.....
- viii. From residents or others for arrears of maintenance.....

2. Other Revenue:

- i. Bank interest.....
- ii. Refund of federal sales taxes.....
- iii. Sale of produce or services of the Institution.....
- iv. Other receipts: (list important items separately).....

SUB-TOTAL REVENUE

3. Grants:

- i. Provincial payments under section 7 of the Act.....
- ii. From municipalities (specify municipality and amount received).....

4. Donations and Income from Donations:

- i. Bequests.....
- ii. Community chest or other local united fund-raising campaigns.....
- iii. Other voluntary contributions.....
- iv. Interest from bequests, endowment funds or investment of donations.....

	\$
	\$
	\$
	\$
	\$
TOTAL REVENUE.....	\$

OPERATING ACCOUNT—EXPENDITURES:

- 5. Food and Provisions:
- 6. Medical and Dental Services:
 - i. Fees paid for medical and dental services,
 - a. to the physician for the Institution.....
 - b. to others (specify).....
 - ii. Drugs and medications.....
 - iii. Medical supplies other than drugs and medications.....
 - iv. Other medical or dental expenditures (specify).....
- 7. Welfare of Residents:
 - i. Clothing and footwear for residents.....
 - ii. Materials and supplies for recreational, rehabilitative and hobby-craft activities.....
 - iii. Pocket money to residents without financial resources and not in receipt of a pension or allowance.....
 - iv. Tobacco and other supplies for smokers.....
 - v. Newspapers, magazines, books and other reading material for use of residents.....
 - vi. Recreation and entertainment.....
 - vii. Other welfare provisions for residents (specify).....
- 8. Funeral and Burial Expenses:.....
- 9. General Operating and Administration Expenses: (not including operation and maintenance of a farm)
 - i. Household supplies, laundry and cleaning material.....
 - ii. Purchase of furnishings—replacements, only (list items and expenditure for each).....
 - iii. Purchase of equipment—replacements, only (list items and expenditure for each).....
 - iv. Repairs to and maintenance of buildings and equipment—other than farm buildings and equipment (give details and breakdown of expenditures)...
 - v. Rent.....
 - vi. Fuel.....
 - vii. Utilities:
 - a. water.....
 - b. gas.....
 - c. electricity.....
 - d. telephone.....
 - e. garbage collection.....
 - f. sewers.....
 - g. other (specify).....
 - viii. Freight and express.....
 - ix. Travel expenses and mileage for employees of Institution.....

	\$
	\$
	\$
	\$

x. Stationery and office supplies.....	
xi. Salaries and wages:	
a. superintendent only.....	
b. all other employees (exclusive of physician for the Institution).....	
xii. Insurance (specify nature of coverage and cost of each)	
.....	
.....	\$
10. Other Expenditures—excluding operation and maintenance of a farm (list items and expenditure for each).....	
.....	
.....	\$
TOTAL EXPENDITURES.....	\$

Dated at....., this.....day of....., 19....

.....
(signature of authorized officer of corporation)

.....
(signature of authorized officer of corporation)

AUDITOR'S CERTIFICATE

I certify that this financial report is in agreement with the records of.....
(name of charitable institution)

as at....., 19...., which are supported by proper vouchers and documents; and all applicable credits and refunds have been taken into account. This report is true and correct; the amounts shown as expenditures have been disbursed; and no items are included that are not in accordance with the Act and the regulations.

Dated at....., this.....day of....., 19....

.....
(signature of chartered accountant or licensed public accountant)

Form 6

The Charitable Institutions Act, 1962-63

RECORD OF RESIDENTS

For the Year ending December 31st, 19....

Name of Charitable Institution:.....

Address:.....

Name of Corporation:.....

1. Number of Residents:

- i. Number in Institution on January 1st.....
- ii. Number of subsequent admissions during year.....
- iii. TOTALS
- iv. Number discharged during year.....
- v. Number of deaths of residents during year.....
- vi. Number in Institution on December 31st.....
- vii. TOTALS: (to agree with iii above)

Males	Females	Totals

2. Length of Stay of Residents:

- i. Total collective days' stay of all residents.....
- ii. Average daily stay of residents.....

Number of Days

3. Dormitory Capacity for Residents:

- i. Normal bed capacity.....
- ii. Additional or temporary bed capacity.....
- iii. TOTAL NUMBER OF BEDS

Number of Beds

TABLE

Number of Residents according to Maintenance Classification	Paying Residents		Non-Paying Residents			Totals																																																																																										
	Recipients of welfare allowances	Others including recipients O.A.S.	Paid for by:			To agree with item 1, col. 3 of Form																																																																																										
			Province of Ontario	Municipalities	Corporation or other (specify)																																																																																											
1. BEGINNING OF YEAR: Number of residents as of January 1st																																																																																																
2. SUBSEQUENT ADMISSIONS DURING YEAR:																																																																																																
i. New admissions																																																																																																
ii. Re-admissions																																																																																																
3. INTERNAL TRANSFERS DURING YEAR:						<table border="1" style="width: 100%;"> <tr><td><input type="checkbox"/></td><td><input type="checkbox"/></td><td><input type="checkbox"/></td><td><input type="checkbox"/></td><td><input type="checkbox"/></td><td><input type="checkbox"/></td><td><input type="checkbox"/></td><td><input type="checkbox"/></td><td><input type="checkbox"/></td><td><input type="checkbox"/></td></tr> <tr><td><input type="checkbox"/></td><td><input type="checkbox"/></td><td><input type="checkbox"/></td><td><input type="checkbox"/></td><td><input type="checkbox"/></td><td><input type="checkbox"/></td><td><input type="checkbox"/></td><td><input type="checkbox"/></td><td><input type="checkbox"/></td><td><input type="checkbox"/></td></tr> <tr><td><input type="checkbox"/></td><td><input type="checkbox"/></td><td><input type="checkbox"/></td><td><input type="checkbox"/></td><td><input type="checkbox"/></td><td><input type="checkbox"/></td><td><input type="checkbox"/></td><td><input type="checkbox"/></td><td><input type="checkbox"/></td><td><input type="checkbox"/></td></tr> <tr><td><input type="checkbox"/></td><td><input type="checkbox"/></td><td><input type="checkbox"/></td><td><input type="checkbox"/></td><td><input type="checkbox"/></td><td><input type="checkbox"/></td><td><input type="checkbox"/></td><td><input type="checkbox"/></td><td><input type="checkbox"/></td><td><input type="checkbox"/></td></tr> <tr><td><input type="checkbox"/></td><td><input type="checkbox"/></td><td><input type="checkbox"/></td><td><input type="checkbox"/></td><td><input type="checkbox"/></td><td><input type="checkbox"/></td><td><input type="checkbox"/></td><td><input type="checkbox"/></td><td><input type="checkbox"/></td><td><input type="checkbox"/></td></tr> <tr><td><input type="checkbox"/></td><td><input type="checkbox"/></td><td><input type="checkbox"/></td><td><input type="checkbox"/></td><td><input type="checkbox"/></td><td><input type="checkbox"/></td><td><input type="checkbox"/></td><td><input type="checkbox"/></td><td><input type="checkbox"/></td><td><input type="checkbox"/></td></tr> <tr><td><input type="checkbox"/></td><td><input type="checkbox"/></td><td><input type="checkbox"/></td><td><input type="checkbox"/></td><td><input type="checkbox"/></td><td><input type="checkbox"/></td><td><input type="checkbox"/></td><td><input type="checkbox"/></td><td><input type="checkbox"/></td><td><input type="checkbox"/></td></tr> <tr><td><input type="checkbox"/></td><td><input type="checkbox"/></td><td><input type="checkbox"/></td><td><input type="checkbox"/></td><td><input type="checkbox"/></td><td><input type="checkbox"/></td><td><input type="checkbox"/></td><td><input type="checkbox"/></td><td><input type="checkbox"/></td><td><input type="checkbox"/></td></tr> <tr><td><input type="checkbox"/></td><td><input type="checkbox"/></td><td><input type="checkbox"/></td><td><input type="checkbox"/></td><td><input type="checkbox"/></td><td><input type="checkbox"/></td><td><input type="checkbox"/></td><td><input type="checkbox"/></td><td><input type="checkbox"/></td><td><input type="checkbox"/></td></tr> </table>	<input type="checkbox"/>	<input type="checkbox"/>	<input type="checkbox"/>	<input type="checkbox"/>	<input type="checkbox"/>	<input type="checkbox"/>	<input type="checkbox"/>	<input type="checkbox"/>	<input type="checkbox"/>	<input type="checkbox"/>	<input type="checkbox"/>	<input type="checkbox"/>	<input type="checkbox"/>	<input type="checkbox"/>	<input type="checkbox"/>	<input type="checkbox"/>	<input type="checkbox"/>	<input type="checkbox"/>	<input type="checkbox"/>	<input type="checkbox"/>	<input type="checkbox"/>	<input type="checkbox"/>	<input type="checkbox"/>	<input type="checkbox"/>	<input type="checkbox"/>	<input type="checkbox"/>	<input type="checkbox"/>	<input type="checkbox"/>	<input type="checkbox"/>	<input type="checkbox"/>	<input type="checkbox"/>	<input type="checkbox"/>	<input type="checkbox"/>	<input type="checkbox"/>	<input type="checkbox"/>	<input type="checkbox"/>	<input type="checkbox"/>	<input type="checkbox"/>	<input type="checkbox"/>	<input type="checkbox"/>	<input type="checkbox"/>	<input type="checkbox"/>	<input type="checkbox"/>	<input type="checkbox"/>	<input type="checkbox"/>	<input type="checkbox"/>	<input type="checkbox"/>	<input type="checkbox"/>	<input type="checkbox"/>	<input type="checkbox"/>	<input type="checkbox"/>	<input type="checkbox"/>	<input type="checkbox"/>	<input type="checkbox"/>	<input type="checkbox"/>	<input type="checkbox"/>	<input type="checkbox"/>	<input type="checkbox"/>	<input type="checkbox"/>	<input type="checkbox"/>	<input type="checkbox"/>	<input type="checkbox"/>	<input type="checkbox"/>	<input type="checkbox"/>	<input type="checkbox"/>	<input type="checkbox"/>	<input type="checkbox"/>	<input type="checkbox"/>	<input type="checkbox"/>	<input type="checkbox"/>	<input type="checkbox"/>	<input type="checkbox"/>	<input type="checkbox"/>	<input type="checkbox"/>	<input type="checkbox"/>	<input type="checkbox"/>	<input type="checkbox"/>	<input type="checkbox"/>	<input type="checkbox"/>	<input type="checkbox"/>	<input type="checkbox"/>	<input type="checkbox"/>	<input type="checkbox"/>	<input type="checkbox"/>	<input type="checkbox"/>	<input type="checkbox"/>	<input type="checkbox"/>	<input type="checkbox"/>	<input type="checkbox"/>	<input type="checkbox"/>
<input type="checkbox"/>	<input type="checkbox"/>	<input type="checkbox"/>	<input type="checkbox"/>	<input type="checkbox"/>	<input type="checkbox"/>	<input type="checkbox"/>	<input type="checkbox"/>	<input type="checkbox"/>	<input type="checkbox"/>																																																																																							
<input type="checkbox"/>	<input type="checkbox"/>	<input type="checkbox"/>	<input type="checkbox"/>	<input type="checkbox"/>	<input type="checkbox"/>	<input type="checkbox"/>	<input type="checkbox"/>	<input type="checkbox"/>	<input type="checkbox"/>																																																																																							
<input type="checkbox"/>	<input type="checkbox"/>	<input type="checkbox"/>	<input type="checkbox"/>	<input type="checkbox"/>	<input type="checkbox"/>	<input type="checkbox"/>	<input type="checkbox"/>	<input type="checkbox"/>	<input type="checkbox"/>																																																																																							
<input type="checkbox"/>	<input type="checkbox"/>	<input type="checkbox"/>	<input type="checkbox"/>	<input type="checkbox"/>	<input type="checkbox"/>	<input type="checkbox"/>	<input type="checkbox"/>	<input type="checkbox"/>	<input type="checkbox"/>																																																																																							
<input type="checkbox"/>	<input type="checkbox"/>	<input type="checkbox"/>	<input type="checkbox"/>	<input type="checkbox"/>	<input type="checkbox"/>	<input type="checkbox"/>	<input type="checkbox"/>	<input type="checkbox"/>	<input type="checkbox"/>																																																																																							
<input type="checkbox"/>	<input type="checkbox"/>	<input type="checkbox"/>	<input type="checkbox"/>	<input type="checkbox"/>	<input type="checkbox"/>	<input type="checkbox"/>	<input type="checkbox"/>	<input type="checkbox"/>	<input type="checkbox"/>																																																																																							
<input type="checkbox"/>	<input type="checkbox"/>	<input type="checkbox"/>	<input type="checkbox"/>	<input type="checkbox"/>	<input type="checkbox"/>	<input type="checkbox"/>	<input type="checkbox"/>	<input type="checkbox"/>	<input type="checkbox"/>																																																																																							
<input type="checkbox"/>	<input type="checkbox"/>	<input type="checkbox"/>	<input type="checkbox"/>	<input type="checkbox"/>	<input type="checkbox"/>	<input type="checkbox"/>	<input type="checkbox"/>	<input type="checkbox"/>	<input type="checkbox"/>																																																																																							
<input type="checkbox"/>	<input type="checkbox"/>	<input type="checkbox"/>	<input type="checkbox"/>	<input type="checkbox"/>	<input type="checkbox"/>	<input type="checkbox"/>	<input type="checkbox"/>	<input type="checkbox"/>	<input type="checkbox"/>																																																																																							
i. Transferred to						<table border="1" style="width: 100%;"> <tr><td><input type="checkbox"/></td><td><input type="checkbox"/></td><td><input type="checkbox"/></td><td><input type="checkbox"/></td><td><input type="checkbox"/></td><td><input type="checkbox"/></td><td><input type="checkbox"/></td><td><input type="checkbox"/></td><td><input type="checkbox"/></td><td><input type="checkbox"/></td></tr> <tr><td><input type="checkbox"/></td><td><input type="checkbox"/></td><td><input type="checkbox"/></td><td><input type="checkbox"/></td><td><input type="checkbox"/></td><td><input type="checkbox"/></td><td><input type="checkbox"/></td><td><input type="checkbox"/></td><td><input type="checkbox"/></td><td><input type="checkbox"/></td></tr> </table>	<input type="checkbox"/>	<input type="checkbox"/>	<input type="checkbox"/>	<input type="checkbox"/>	<input type="checkbox"/>	<input type="checkbox"/>	<input type="checkbox"/>	<input type="checkbox"/>	<input type="checkbox"/>	<input type="checkbox"/>	<input type="checkbox"/>	<input type="checkbox"/>	<input type="checkbox"/>	<input type="checkbox"/>	<input type="checkbox"/>	<input type="checkbox"/>	<input type="checkbox"/>	<input type="checkbox"/>	<input type="checkbox"/>	<input type="checkbox"/>																																																																						
<input type="checkbox"/>	<input type="checkbox"/>	<input type="checkbox"/>	<input type="checkbox"/>	<input type="checkbox"/>	<input type="checkbox"/>	<input type="checkbox"/>	<input type="checkbox"/>	<input type="checkbox"/>	<input type="checkbox"/>																																																																																							
<input type="checkbox"/>	<input type="checkbox"/>	<input type="checkbox"/>	<input type="checkbox"/>	<input type="checkbox"/>	<input type="checkbox"/>	<input type="checkbox"/>	<input type="checkbox"/>	<input type="checkbox"/>	<input type="checkbox"/>																																																																																							
ii. Transferred from						<table border="1" style="width: 100%;"> <tr><td><input type="checkbox"/></td><td><input type="checkbox"/></td><td><input type="checkbox"/></td><td><input type="checkbox"/></td><td><input type="checkbox"/></td><td><input type="checkbox"/></td><td><input type="checkbox"/></td><td><input type="checkbox"/></td><td><input type="checkbox"/></td><td><input type="checkbox"/></td></tr> <tr><td><input type="checkbox"/></td><td><input type="checkbox"/></td><td><input type="checkbox"/></td><td><input type="checkbox"/></td><td><input type="checkbox"/></td><td><input type="checkbox"/></td><td><input type="checkbox"/></td><td><input type="checkbox"/></td><td><input type="checkbox"/></td><td><input type="checkbox"/></td></tr> </table>	<input type="checkbox"/>	<input type="checkbox"/>	<input type="checkbox"/>	<input type="checkbox"/>	<input type="checkbox"/>	<input type="checkbox"/>	<input type="checkbox"/>	<input type="checkbox"/>	<input type="checkbox"/>	<input type="checkbox"/>	<input type="checkbox"/>	<input type="checkbox"/>	<input type="checkbox"/>	<input type="checkbox"/>	<input type="checkbox"/>	<input type="checkbox"/>	<input type="checkbox"/>	<input type="checkbox"/>	<input type="checkbox"/>	<input type="checkbox"/>																																																																						
<input type="checkbox"/>	<input type="checkbox"/>	<input type="checkbox"/>	<input type="checkbox"/>	<input type="checkbox"/>	<input type="checkbox"/>	<input type="checkbox"/>	<input type="checkbox"/>	<input type="checkbox"/>	<input type="checkbox"/>																																																																																							
<input type="checkbox"/>	<input type="checkbox"/>	<input type="checkbox"/>	<input type="checkbox"/>	<input type="checkbox"/>	<input type="checkbox"/>	<input type="checkbox"/>	<input type="checkbox"/>	<input type="checkbox"/>	<input type="checkbox"/>																																																																																							
4. NET TOTALS: Add 1, 2 and 3i, and subtract 3 ii																																																																																																
5. DISCHARGES: Number of residents discharged during year																																																																																																
6. *DEATHS: Number of deaths of residents during year																																																																																																
7. END OF YEAR: Number of residents as of December 31st																																																																																																
8. TOTALS: Add 5, 6 and 7 (to agree with net totals in 4)																																																																																																

*Include only deaths occurring in the Institution; do not include deaths occurring in hospital or elsewhere.

Dated at....., this.....day of....., 19....

I certify that this Record is correct.

.....
(signature of superintendent)

Form 7

The Charitable Institutions Act, 1962-63

APPLICATION FOR GRANT UNDER SECTION 5(b) OR 6(b) OF THE ACT

(Check (✓) where applicable)

1. The..... (name of corporation)
..... (address)

incorporated under Part III of The Corporations Act on....., 19...., hereby applies

for a grant under, [] Section 5(b) [] Section 6(b)

of the Act, in respect of, Under section 5(b) Under section 6(b)

- [] the erection of a new building [] the acquisition of a building
[] the erection of an addition to an existing building

used or to be used as a hostel,

(a) known or to be known as:
..... (name of hostel)

(b) situated or to be situated at:
..... (address)

(c) consisting or to consist of..... building(s); and
(d) having or to have a total bed capacity of..... beds.

2. The estimated capital cost of the hostel is as follows:

(a) [] for the erection of the new building or addition
or
[] for the acquisition of the building
(b) for land, where applicable.....\$
(c) for furnishings and equipment.....\$
TOTAL CAPITAL COST \$

3. The Corporation intends to finance this cost in the following manner:

(a) from funds of the Corporation.....\$
(b) grant from municipality or municipalities (at least 20% of cost).....\$
(c) Provincial Grant:
Under section 5(b)
[] \$1,500 per bed or 30% of the capital cost, whichever is the lesser;
or
Under section 6(b)
[] \$450 per bed or 30% of the capital cost, whichever is the lesser.
(d) TOTAL CAPITAL COST.....\$

4. The Corporation expects that the building will be ready for use as a hostel and occupancy on or about the
.....day of....., 19....

Dated at....., this.....day of....., 19....

..... (signature of authorized officer of corporation)
..... (signature of authorized officer of corporation)

Form 8

The Charitable Institutions Act, 1962-63

APPLICATION FOR PAYMENT OF GRANT UNDER SECTION 5(b) OR 6(b) OF THE ACT

(Check (✓) where applicable)

1. The (name of corporation)

..... (address)

hereby applies for payment of a grant under section 5(b) or 6(b) of The Charitable Institutions Act, 1962-63, in the amount of,

\$

in accordance with the amount determined in,

- Schedule A (section 5(b))
Schedule B (section 6(b)) } to this Form.

2. The name and address of the hostel is as follows:

..... (name of hostel)

..... (address)

3. The hostel,

- (a) consists or will consist of building(s);
(b) has or will have a total bed capacity of beds; and
(c) was or will be ready as a hostel and occupancy on 19.... (date)

4. Application for the above grant was made in Form 1 on 19.... (date)

5. The information in Schedule A or B to this Form is true and correct.

Dated at this day of 19....

..... (signature of authorized officer of corporation)

..... (signature of authorized officer of corporation)

Schedule A

GRANT UNDER SECTION 5(b) OF THE ACT

(Check (✓) where applicable)

1. Total bed capacity of new building }beds.
 addition }
2.beds @ \$1,500 per bed.....\$.....
3. Estimated Cost OR Actual Cost:
 - (a) for construction.....\$.....
 - (b) for land.....\$.....
 - (c) for furnishings and equipment.....\$..... \$.....
4. 30 per cent of estimated cost }\$.....
 actual cost }
5. Total amount of provincial grant—the lesser of items 2 and 4.....

\$

6. Payment applied for in this application:
 - (a) 50% of item 4, where new building or addition is at least 50% completed.....\$.....
 - (b) 50% of item 4, where new building or addition is completed and ready for use and occupancy.....\$.....
 - (c) Total payment of provincial grant—item 5—where new building or addition is completed and ready for use and occupancy.....\$.....

NOTES:

1. Where application for payment is made in clause (a) of item 6 of Schedule A, the application shall be accompanied by the certificate of an architect or professional engineer in Form 9.
2. Where application for payment is made in clause (b) or (c) of item 6 of Schedule A, the application shall be accompanied by:
 - (a) the certificate of an auditor certifying,
 - (i) the actual total cost of the new building or addition,
 - (ii) that all accounts have been paid and, where applicable, all refundable sales tax has been refunded, and
 - (iii) that an amount equal to at least 20% of the cost of the new building or addition has been paid to the corporation by the council of the municipality in which the new building or addition is situated; and
 - (b) the certificate of an architect or professional engineer in Form 9.

Schedule B

GRANT UNDER SECTION 6(b) OF THE ACT:

1. Total bed capacity of acquired buildingbeds.
2.beds @ \$450 per bed.....\$.....
3. Actual cost of the building.....\$.....
4. 30 per cent of item 3.....\$.....
5. Payment applied for—the lesser of items 2 and 4.....

\$

NOTE: Where application is made in item 5 of Schedule B, the application shall be accompanied by:

- (a) the certificate of an auditor certifying,
 - (i) the actual total cost of the acquired building,
 - (ii) that all accounts have been paid and, where applicable, all refundable sales tax has been refunded, and
 - (iii) that an amount equal to at least 20% of the cost of the acquired building has been paid to the corporation by the council of the municipality in which the acquired building is situated; and
- (b) the certificate of an architect or professional engineer in Form 9.

Form 9

The Charitable Institutions Act, 1962-63

CERTIFICATE OF ARCHITECT OR PROFESSIONAL ENGINEER RESPECTING A HOSTEL

(Check (✓) where applicable)

I, (full name)

a member in good standing of the:

- Ontario Association of Architects
Association of Professional Engineers of the Province of Ontario

hereby certify:

- 1. THAT I have personally and carefully inspected the,
new building being erected or erected; or
addition to an existing building being erected or erected; or
building acquired

by..... (name of corporation)
..... (address)

for use as a hostel.

- 2. THAT the hostel:
(a) is situated at..... (address)
(b) is a new building or an addition being erected and is at least 50 per cent completed as of the date of the application of the Corporation in Form 2; or
is a new building or an addition, erected and completed, and is ready for use and occupancy; or
is an acquired building and is ready for use and occupancy.

- 3. THAT to the best of my knowledge, information and belief,
(a) the building conforms to:
the plans and specifications
the structural sketch,
copies of which the authorized officers of the Corporation inform me were filed with the Minister and subsequently approved by him; and

- (b) the capital cost of the building is as follows:
(i) for the erection of the new building or addition; or
for the acquisition of the building } \$
(ii) for land, where applicable. \$
(iii) for furnishings and equipment. \$
(iv) TOTAL CAPITAL COST..... \$

Dated at....., this..... day of....., 19....

..... (signature)
..... (address of professional office)

THE PLANNING ACT

O. Reg. 298/64.

Restricted Areas—Kapuskasung.

Made—October 28th, 1964.

Filed—November 5th, 1964.

ORDER MADE UNDER THE PLANNING ACT
RESTRICTED AREAS—KAPUSKASING

1. In this Order, "accessory building" means a building or structure located on the same lot as the single-family dwelling to which it is appurtenant and used for a purpose subordinate to the principal residential use, such as a private garage, greenhouse or garden implement shed, but does not include a building used for the storage of commercial or industrial material, equipment or vehicles.

2. This Order applies to the lands described in the schedules.

3. No land shall be used except as a site for a single-family dwelling or for agricultural or forestry purposes.

4. No building or structure shall be erected, altered or used except for single-family dwelling purposes.

5. Nothing in this Order shall prevent the use of any land for the purposes of highways, parks or gardening.

6. This Order does not apply to prevent the use of any land, building or structure for any purpose prohibited thereby if such land, building or structure was lawfully used for such purpose on the day of coming into force of this Order, so long as it continues to be used for that purpose.

7.—(1) Not more than one single-family dwelling, with or without accessory buildings, shall be erected, altered or used on a lot in a registered plan referred to in Schedule 1 or on a parcel referred to in Schedule 1.

(2) No single-family dwelling, with or without accessory buildings, shall be erected, altered or used on the lands described in Schedule 2 unless the land appurtenant to the dwelling has a frontage of not less than 400 feet and an area of not less than 10 acres.

8.—(1) No single-family dwelling shall be erected, altered or used if the building is located,

- (a) nearer to the street line than 20 feet;
- (b) where there is an attached garage, nearer to a side lot line than 4 feet in the case of a one-storey building or 6 feet in the case of a building of two or more storeys;
- (c) where there is no attached garage, nearer to one side lot line than 10 feet or nearer to the other side lot line than the distance specified in clause b; and
- (d) nearer to the rear lot line than 25 feet.

(2) The total area occupied by buildings and structures shall not exceed 33 per cent of the area of the land appurtenant to the dwelling.

9.—(1) No accessory building shall be erected, altered or used if the building,

- (a) is located nearer to the street line than 15 feet;
- (b) is located nearer to any other lot line than 2 feet; or
- (c) is more than 15 feet in height.

(2) The total area occupied by accessory buildings shall not exceed 10 per cent of the area of the land appurtenant to the dwelling.

10. This Order expires on the 1st day of June, 1965.

J. W. SPOONER,
Minister of Municipal Affairs

Dated at Toronto, this 28th day of October, 1964.

Schedule 1

All and Singular those certain parcels or tracts of land and premises situate, lying and being in the Geographic Township of O'Brien and now in the Town of Kapuskasing, in the Territorial District of Cochrane and being composed of,

- (a) all of the lands contained within Registered Plans M-142, M-174 and M-235 filed in the Office of Land Titles at Cochrane; and
- (b) those portions of Lot 19 in Concession 15 in the said Geographic Township of O'Brien, registered in the Office of Land Titles at Cochrane as Parcels 910 C.C., 1616 C.C., 1631 C.C., 2914 C.C. and 2948 C.C.

Schedule 2

All and Singular those certain parcels or tracts of land and premises situate, lying and being in the Geographic Township of O'Brien and now in the Town of Kapuskasing, in the Territorial District of Cochrane and being composed of,

- (a) all of lots 11 to 19, both inclusive, in Concession 16, all that part of Lot 24 in Concession 16 lying west of the Kapuskasing River and all of lots 25 to 29, both inclusive, in Concession 16;
- (b) all of lots 11 to 16, both inclusive, in Concession 15, that portion of Lot 17 in Concession 15 not included within Registered Plan M-235, that portion of Lot 18 in Concession 15 not included within Registered Plan M-174, all that part of Lot 24 in Concession 15 lying west of the Kapuskasing River and all of lots 25 to 29, both inclusive, in Concession 15;
- (c) all of lots 11 to 18, both inclusive, in Concession 14, all of that part of Lot 23 in Concession 14 lying south of the Kapuskasing River, all that part of Lot 24 in Concession 14 lying south and west of the Kapuskasing River and all of lots 25 to 29, both inclusive, in Concession 14;
- (d) all that part of Lot 22 in Concession 13 lying west of the east bank of the Kapuskasing River, all that part of Lot 23 in Concession 13 lying north and west of the east bank of the Kapuskasing River and all of lots 24 to 29, both inclusive, in Concession 13;
- (e) all of that part of Lot 23 in Concession 12 lying west of the east bank of the Kapuskasing River, all of that part of Lot 24 in Concession 12 lying west and north of the east bank of the Kapuskasing River and all of lots 25 to 29, both inclusive, in Concession 12;
- (f) all of that part of Lot 25 in Concession 11 lying west of the centre of the Kapuskasing River, all of lots 26 to 29, both inclusive, in Concession 11;
- (g) all that part of Lot 25 in Concession 10 lying north and west of the centre of the Kapuskasing River, all those parts of lots 26 and 27 in Concession 10 lying north of the centre of

the Kapuskasing River, all that part of Lot 28 in Concession 10 lying north and west of the centre of the Kapuskasing River and all of Lot 29 in Concession 10;

- (h) all of those parts of lots 27 and 28 in Concession 9 lying south and west of the centre of the Kapuskasing River and all of Lot 29 in Concession 9;
- (i) all that part of Lot 27 in Concession 8 lying west of the centre of the Kapuskasing River and all of lots 28 and 29 in Concession 8; and
- (j) all those parts of lots 27 and 28 in Concession 7 lying northwest of the centre of the Kapuskasing River and all that part of Lot 29 in Concession 7 lying north of the centre of the Kapuskasing River.

(1493)

46

THE ONTARIO ENERGY BOARD ACT

O. Reg. 299/64.

General.

Made—November 5th, 1964.

Filed—November 6th, 1964.

REGULATION MADE UNDER THE ONTARIO ENERGY BOARD ACT

1. The Schedule to Regulation 459 of Revised Regulations of Ontario, 1960, as amended by Ontario Regulations 88/62, 330/62, 7/63 and 150/63, is further amended by adding thereto the following paragraph:

- 7. All and singular those certain parcels or tracts of lands and premises situate in the Township of Humberstone, County of Welland: Commencing at the northeasterly corner of Lot 8, Concession 5; thence westerly along the northerly limit of lots 8, 9, 10, 11, 12, 13 and 14 to the northwesterly corner of Lot 14, in Concession 5; thence southerly along the westerly limit of Lot 14 to the southwesterly corner of Lot 14; thence easterly along the southerly limit of Lot 14, 1380 feet more or less to a point, which point is the intersection of the southerly limit of Lot 14 with the northerly production of the westerly limit of Lot 16, Concession 4 across the road allowance dividing concessions 4 and 5; thence southerly along the aforementioned production of the westerly limit of Lot 16, Concession 4 and the westerly limit of Lot 16, Concession 4 to a point 1650 feet south of the northwesterly corner of Lot 16, Concession 4; thence easterly parallel with the northerly limit of Lot 16 to a point in the easterly limit of Lot 16; thence southerly along the easterly limit of Lot 16, 361 feet; thence easterly parallel to the northerly limit of lots 15, 14 and 13 to a point in the westerly limit of Lot 12, Concession 4; thence northerly along the westerly limit of Lot 12, 361 feet; thence easterly parallel to the northerly limit of lots 12, 11 and 10 to a point in the easterly limit of Lot 10, Concession 4; thence northerly along the easterly limit of Lot 10 and the northerly production of the said easterly limit to a point in the southerly limit of Lot 8, Concession 5; thence easterly along the southerly limit of Lot 8, Concession 5 to the southeasterly corner of Lot 8; thence northerly along the easterly limit of Lot 8, Concession 5 to the point of commencement.

(1494)

46

THE HIGHWAY TRAFFIC ACT

O. Reg. 300/64.

General.

Made—November 5th, 1964.

Filed—November 6th, 1964.

REGULATION MADE UNDER THE HIGHWAY TRAFFIC ACT

1. Paragraph 4 of subsection 1 of section 20 of Regulation 227 of Revised Regulations of Ontario, 1960, as remade by section 2 of Ontario Regulation 294/63 and amended by subsection 1 of section 1 of Ontario Regulation 21/64, is revoked and the following substituted therefor:

- 4. For the renewal of a driver's licence that expires in 1965 where the birthdate of the applicant occurs between the 1st and 9th day, both inclusive, of any month..... 2.00
- 4a. For the renewal of a driver's licence that expires in 1965 where the birthdate of the applicant occurs between the 10th and 19th day, both inclusive, of any month..... 3.00

2.—(1) Subsection 1 of section 21 of Regulation 227 of Revised Regulations of Ontario, 1960, as remade by subsection 1 of section 3 of Ontario Regulation 294/63 and amended by section 2 of Ontario Regulation 21/64, is revoked and the following substituted therefor:

- (1) Every original driver's licence, other than one referred to in section 22 or 23, issued on or after the 1st day of November, 1964, expires,
 - (a) with the birthdate in 1967 of the applicant for the licence where that birthdate occurs on any day between the 1st and 9th day, both inclusive, of any month;
 - (b) with the birthdate in 1968 of the applicant for the licence where that birthdate occurs on any day between the 10th and 19th day, both inclusive, of any month; or
 - (c) with the birthdate in 1966 of the applicant for the licence where that birthdate occurs on any day between the 20th and last day, both inclusive, of any month.

(2) Subsection 2 of the said section 21 is revoked and the following substituted therefor:

- (2) A renewed driver's licence referred to in,
 - (a) paragraph 4 of subsection 1 of section 20 expires with the birthdate of the licensee in 1967; and
 - (b) paragraph 4a of subsection 1 of section 20 expires with the birthdate of the licensee in 1968.

(3) Subsection 3 of the said section 21, as amended by subsection 2 of section 3 of Ontario Regulation 294/63, is revoked and the following substituted therefor:

- (3) Notwithstanding subsection 1, an original driver's licence shall not be issued for a period of more than thirty-nine calendar months.

(4) Subsection 4 of the said section 21 is revoked.

(1495)

46

THE PUBLIC COMMERCIAL VEHICLES ACT

O. Reg. 301/64.
Carrying Goods in Bond.
Made—November 5th, 1964.
Filed—November 6th, 1964.

REGULATION MADE UNDER
THE PUBLIC COMMERCIAL VEHICLES ACT

1. Section 7 of Regulation 502 of Revised Regulations of Ontario, 1960, as remade by section 1 of Ontario Regulation 317/63, is revoked and the following substituted therefor:

7. This Regulation expires with the 31st day of December, 1965.

(1496)

46



Publications Under The Regulations Act

November 21st, 1964

THE DEPARTMENT OF EDUCATION ACT

O. Reg. 302/64.

Schools for Retarded Children.

Made—October 27th, 1964.

Approved—November 5th, 1964.

Filed—November 10th, 1964.

REGULATION MADE UNDER THE DEPARTMENT OF EDUCATION ACT SCHOOLS FOR RETARDED CHILDREN

1. In this Regulation,

- (a) "admissions board" means the admissions board referred to in subsections 4 and 5 of section 115 of *The Schools Administration Act*;
- (b) "Authority" means Authority as defined in section 110 of *The Schools Administration Act*;
- (c) "capital expenditure from current funds" means an expenditure for furniture and furnishings, instructional equipment and apparatus or vehicles for the transportation of pupils;
- (d) "retarded child" means retarded child as defined in section 110 of *The Schools Administration Act*;
- (e) "expenditure for maintenance" means an expenditure incurred by an Authority for the purposes of the school exclusive of a capital expenditure from current funds;
- (f) "gross fee" per year for a pupil means the result obtained by dividing the total current expenditures by the total number of days attended by all pupils and multiplying the quotient so obtained by the number of days attended by that pupil;
- (g) "local association" means local association as defined in section 110 of *The Schools Administration Act*;
- (h) "school" means a school in which classes for retarded children are conducted by an Authority;
- (i) "total current expenditures" means the total of expenditures for maintenance and capital expenditures from current funds;
- (j) "voluntary helper" means a person who serves on the staff of a school without remuneration.

2.—(1) On or before the 1st day of March, 1965 an Authority shall submit to the Minister a budget of its estimated total current expenditures for the year 1965.

(2) In the year 1965 an Authority shall be paid a grant equal to,

- (a) the amount of assistance paid to the local association at whose request the Authority was established for the months of January, February, March, April, May and June in the year 1964; and

(b) the amount, if any, by which the amount of assistance referred to in clause a is less than 80 per cent of the budget, excluding gross fees, referred to in subsection 1.

(3) The amount of assistance referred to in,

- (a) clause a of subsection 2 shall be paid to the Authority in January of the year 1965; and
- (b) clause b of subsection 2 shall be paid to the Authority in such instalments and at such times as the Minister directs.

(4) On or before the 31st day of January in the year 1966 and in each year thereafter an Authority shall submit to the Minister a budget of its estimated total current expenditures for that year and an audited financial statement for the preceding year signed by the municipal auditor.

(5) In the year 1966 and in each year thereafter an Authority shall be paid a grant equal to 80 per cent of the budget, excluding gross fees, referred to in subsection 4,

- (a) plus, where the grant paid in the preceding year was less than 80 per cent of the cost of total current expenditure excluding gross fees as shown on the audited financial statement for the preceding year, the amount by which the grant paid in the preceding year was less than 80 per cent of the said total current expenditure excluding gross fees; or
- (b) minus, where the grant paid in the preceding year was more than 80 per cent of the total current expenditures excluding gross fees as shown on the audited financial statement for the preceding year, the amount by which the grant paid in the preceding year was more than 80 per cent of the said total current expenditures excluding gross fees.

(6) The grant in the year 1966 and in each year thereafter shall be paid in such instalments and at such times as the Minister directs.

(7) The net fee for pupils whose parents reside in territory without municipal organization shall be paid by the Department.

3. Subject to the approval of the Minister, a local association shall be paid assistance in the amount of 50 per cent of the capital cost approved by the Minister of,

- (a) a new school;
- (b) an addition to a school;
- (c) purchase of an existing building to be used as a school;
- (d) renovation and alteration of a building to be used as a school;
- (e) landscaping, sidewalks and roadways;
- (f) new fences; or
- (g) architect's fees.

4. The grant provided by section 2 shall be paid only to an Authority that conducts a school in accordance with this Regulation and the grant provided by section 3 shall be paid only to a local association that incurs a capital cost.

5.—(1) Subject to subsection 2, the school year and holidays shall be that defined in sections 3 and 4 of *The Schools Administration Act* except that the school year shall consist of three terms as follows:

1. September, October, November and December.
2. January, February and March.
3. April, May and June.

(2) The third term shall end on the third Thursday in June and any days in which the school is closed during the school year because of teachers' meetings, weather conditions, breakdown of heating plant or any reason whatsoever, shall be made up after the third Thursday in June.

6.—(1) Subject to subsection 2, a child may attend only the morning session or the afternoon session and the number of hours in a session shall be at least $2\frac{1}{2}$ but not more than three.

(2) Where,

- (a) a legally qualified medical practitioner approves in writing the attendance of a child who is at least ten years of age and under eighteen years of age;
- (b) the admissions board approves; and
- (c) the number of school hours is at least five but not more than $5\frac{1}{2}$ in a day, exclusive of one hour for lunch,

the child may attend both the morning and afternoon sessions.

7.—(1) No child shall be admitted to a school unless,

- (a) his admission is approved by the admissions board;
- (b) he has a mental capacity that is incapable of development beyond that of a child of normal mentality at eight years of age;
- (c) he has had an intellectual assessment conducted by a person who is deemed competent for the purpose by the admissions board and a medical examination conducted by a legally qualified medical practitioner;
- (d) he is admitted at the beginning of a term, and
 - (i) has attained the age of five years before the commencement of the term or on or before the end of the term, and
 - (ii) is enrolled only until the end of the school year in which he attains the age of eighteen years; and
- (e) he is toilet-trained.

(2) A child whose parent or guardian establishes residence in the area served by a school and who has previously attended another school may be enrolled at any time.

(3) The admissions board shall, after a hearing, dismiss from the class any child who is incorrigible or unable to profit by instruction given to the classes.

8. Where the Minister of Citizenship and Immigration for Canada,

(a) requests admission for a child who,

- (i) is eligible for admission under section 7, and

(ii) is an Indian registered as an Indian or entitled to be registered as an Indian under the *Indian Act* (Canada); and

(b) agrees to pay a tuition fee not exceeding the gross cost per child based on the average daily attendance of such school,

the admissions board of a school may admit the child at the beginning of any term.

9. The principal of a school, subject to the approval of the Minister, shall,

- (a) ensure that the child is subject to such discipline as may be exercised by a kind and judicious parent of a retarded child;
- (b) keep a register or registers of the daily attendance of the pupils;
- (c) group the children into classes and ensure that discipline is maintained therein;
- (d) assign duties to teachers and voluntary helpers;
- (e) be responsible for the educational programme within the school;
- (f) complete such reports as are required from time to time by the Department;
- (g) inspect the school premises daily and report promptly to the secretary-treasurer of the Authority,

(i) any repairs required, and

(ii) any lack of attention on the part of the caretaker;

(h) at the end of each term, furnish forthwith to the secretary-treasurer of the Authority a written statement giving the name of each pupil and the name of the municipality in which his parent or guardian resides, the number of days attended by each pupil who attended either the morning or the afternoon session, and the number of days attended by each pupil who, under section 6, attended both morning and afternoon sessions; and

(i) hold a fire drill in the school at least once each month.

10.—(1) Notwithstanding section 9, the local elementary school inspector may during visits to a school assume any of the authority otherwise exercised by the principal.

(2) It is the duty of the inspector,

- (a) to assist and co-operate with Authorities to the end that the schools may best serve the needs of the children; and
- (b) to visit each school in his inspectorate during the school year and to forward to each Authority in his inspectorate a report on its schools at least once a year.

11.—(1) The Authority shall employ a caretaker for the school.

(2) The caretaker shall,

- (a) every day sweep the floors and dust the furniture, window ledges and other woodwork with damp dusters;
- (b) have the temperature in the school at least 68°F. by 8.45 a.m. and maintain this temperature throughout the school day;

- (c) keep the walks and paths clear of snow in winter;
- (d) wash the windows as often as required by the Authority or the principal; and
- (e) perform such other duties as are set forth in his contract of employment with the Authority.

12. An Authority shall,

- (a) appoint for each school that it operates a principal and an adequate number of teachers;
- (b) arrange for the appointment of such other employees as are necessary to conduct the school, set the terms on which they are to be employed, and fix their salaries and prescribe their duties;
- (c) be responsible for the general maintenance, including repairs, and all charges for light, water, heat, and caretaking of the building provided for the Authority by the local association;
- (d) make it possible for the local association to use the building outside school hours; and
- (e) make provision for insuring the Authority against claims in respect of accidents incurred by pupils while under the jurisdiction of the Authority.

13. An Authority may,

- (a) dismiss after a hearing such teachers, officers and servants as it deems expedient;
- (b) appoint a supervisory officer of the teaching staff if the Authority operates two or more schools; and
- (c) provide lunch at a nominal charge at the noon recess.

14. Ontario Regulations 305/62 and 67/64 are revoked.

15. This Regulation comes into force on the 1st day of January, 1965.

WILLIAM G. DAVIS,
Minister of Education.

Dated at Toronto, this 27th day of October, 1964.

(1524) 47

THE HOSPITAL SERVICES COMMISSION ACT

O. Reg. 303/64.
General.
Made—October 14th, 1964.
Approved—November 5th, 1964.
Filed—November 12th, 1964.

REGULATION MADE UNDER
THE HOSPITAL SERVICES COMMISSION ACT

1. Item 63 of Part I of Schedule 2 to Regulation 238 of Revised Regulations of Ontario, 1960 is amended by striking out "Kirkland Lake and District Hospital" and inserting in lieu thereof "Kirkland and District Hospital".

2.—(1) Part II of Schedule 4 to Regulation 238 of Revised Regulations of Ontario, 1960, as remade by section 2 of Ontario Regulation 301/63 and amended

by Ontario Regulations 108/64, 137/64, 165/64 and 202/64, is further amended by renumbering items 1 and 1a as items 1a and 1b, respectively, and by adding thereto the following item:

1. Ajax and Pickering General Hospital

(2) Item 24 of Part II of the said Schedule 4 is amended by striking out "Kirkland Lake and District Hospital" and inserting in lieu thereof "Kirkland and District Hospital".

3.—(1) Items 35 and 41 of Schedule 8 to Regulation 238 of Revised Regulations of Ontario, 1960, as remade by section 2 of Ontario Regulation 187/64, are revoked.

(2) The said Schedule 8, as remade by section 2 of Ontario Regulation 187/64, is amended by adding thereto the following item:

39a. Toronto Tweedle's Nursing Home

HOSPITAL SERVICES COMMISSION
OF ONTARIO:

J. B. NEILSON,
Chairman.

E. P. McGAVIN,
Commissioner.

Dated at Toronto, this 14th day of October, 1964.

(1526) 47

THE PUBLIC HOSPITALS ACT

O. Reg. 304/64.
Classification of Hospitals.
Made—November 5th, 1964.
Filed—November 12th, 1964.

REGULATION MADE UNDER
THE PUBLIC HOSPITALS ACT

1. The Schedule to Ontario Regulation 110/63, as amended by Ontario Regulations 193/63, 302/63, 59/64, 164/64 and 233/64, is further amended by renumbering item 1 as item 1a under the heading "Group G Hospitals" and by adding under the said heading the following item:

1. Ajax Ajax and Pickering General
Hospital
(Chronic Patients Unit)

(1527) 47

THE PLANNING ACT

O. Reg. 305/64.
Restricted Areas—District of Parry Sound.
Made—November 5th, 1964.
Filed—November 12th, 1964.

ORDER MADE UNDER THE PLANNING ACT

RESTRICTED AREAS—
DISTRICT OF PARRY SOUND

1. All lands in the geographic Township of Croft in the Territorial District of Parry Sound are designated as an area of subdivision control under clause b of subsection 1 of section 27 of the Act.

J. W. SPOONER,
Minister of Municipal Affairs.

Dated at Toronto, this 5th day of November, 1964.

(1528) 47

THE POWER COMMISSION ACT

O. Reg. 306/64.

Fees.

Made—November 11th, 1964.

Filed—November 13th, 1964.

**REGULATION MADE UNDER
THE POWER COMMISSION ACT**

FEEES

1. In this Regulation,

- (a) "addition or alteration" means the replacement of, or the addition or alteration to an existing wiring system that has been previously permanently connected, or the minor portion of a new installation;
- (b) "contractor" means a person who as principal, servant or agent, by himself or by his associates, employees, servants or agents performs or engages to perform, either for his own use and benefit or for that of another and for or without remuneration or gain, any work in respect of an electrical installation or any other work to which this Regulation applies;
- (c) "fee-circuit" means the installation, re-location or alteration of a set of conductors running to or from a set of overcurrent devices, or the installation, re-location or alteration of equipment on the load side of a set of conductors that remains unchanged;
- (d) "general inspection" means the inspection of an electrical installation to which electrical power or energy has previously been permanently connected;
- (e) "inspection call" means every half hour or fraction thereof spent by the inspector in making the inspection;
- (f) "new installation" means the installation of a complete wiring system or the major portion thereof where the installation is not within a building the wiring system of which has been previously permanently connected;
- (g) "residential A" means a single-family dwelling consisting of a house or housing unit that has not been previously permanently supplied with power, that is not occupied seasonally only and that,
 - (i) provides facilities ordinarily required for the accommodation of one family,
 - (ii) has a separate basement or a separate heating system, and
 - (iii) has at least five rooms or 800 square feet of floor space exclusive of basement floor space;
- (h) "residential A1" means any other single-family dwelling; and
- (i) "residential B" means a building or any part of a building providing facilities ordinarily required for the accommodation of more than one family except buildings or parts that are residential A.

2.—(1) A contractor shall pay to the Commission the fees ascertained in accordance with schedules 1, 2 and 3 when the application for inspection is made or, where no application is made, upon the request of the Commission.

(2) Where during the inspection it appears that the fees paid are insufficient, the balance of the fee shall be paid to the Commission before the inspection is complete.

3. Where,

(a) by inadvertence more than one application has been filed in respect of an installation and fees paid thereon; or

(b) inspection fees have been overpaid,

the amount of the overpayment, except for the initial fee payable for each application for inspection under schedules 1 and 2, shall be refunded to the contractor upon presentation to the office of the Commission where the payments were made by him of the receipts for the payments.

4. Regulation 489 of Revised Regulations of Ontario, 1960 is revoked.

5. This Regulation comes into force on the 1st day of January, 1965.

THE HYDRO-ELECTRIC POWER
COMMISSION OF ONTARIO:

W. R. STRIKE,
Chairman.

E. B. EASSON,
Secretary.

Dated the 11th day of November, 1964.

Schedule 1

APPLICATION FOR INSPECTION

	Fee
1. For each application for an inspection to which this Schedule applies.....	\$.50
2. For the inspection of a new installation carried out on,	
i. a residential A premises.....	17.50
ii. a residential A1 premises.....	11.50
iii. a residential B premises	
(a) for 1 or 2 suites.....	30.00
(b) for each additional suite.....	4.00
3. For an inspection of an addition or alteration carried out on,	
i. a residential A premises or a residential A1 premises	
(a) for the first fee-circuit.....	1.65
(b) for each additional fee-circuit.....	.85
ii. a residential B premises	
(a) for one fee-circuit in a suite..	1.65
(b) for each additional fee-circuit in a suite.....	1.00
4. For a general inspection carried out on,	
i. a residential A1 premises.....	5.00
ii. a residential B premises, per inspection call.....	5.00

Schedule 2

This Schedule applies to inspections carried out in buildings or on premises other than those defined as residential A, residential A1 or residential B.

FILING APPLICATION

	Fee
1. For each application for inspection....	\$.50

AIR CONDITIONERS

2.—(1) For the inspection of the installation of outlets rated at not more than 15 amperes for an air-conditioner of the plug-in type the fees prescribed by paragraph 24 for the inspection of the wiring of electrical outlets.

(2) For the inspection of the installation of outlets rated at more than 15 amperes, the fees prescribed by paragraph 27 for the inspection of power outlets of like amperage.

(3) For the inspection of the installation of the wiring for an air-conditioner of the permanently connected type the fees prescribed by paragraph 22 for the inspection of the installation of motors based on the total horsepower of the unit.

ARC-LAMPS

Fee

3. For the inspection of each installation of an arc-lamp.....	\$ 1.60
--	---------

AUTOMATIC DAMPER EQUIPMENT

4. For the inspection of each installation of an automatic damper control the fees prescribed by paragraph 24 for the inspection of the wiring of electrical outlets.

BATTERY CHARGER OF THE TRANSFORMER TYPE

5. For the inspection of each installation of a battery charger of the transformer type, the fee prescribed by paragraph 36 for transformers and capacitors of like rating.

BELL TRANSFORMER

Fee

6. For the inspection of the installation of a bell transformer.....	\$ 1.60
--	---------

BILL-BOARDS AND SIMILAR INSTALLATIONS

7.—(1) For the inspection of each installation of a bill-board or similar installation, a fee calculated on the basis of the fees payable for the inspection of fixtures and outlets forming part of the bill-board or similar installation in accordance with paragraphs 12 and 24 and the fee payable for the inspection of a consumer's service, if any.

(2) For the inspection of the service for a bill-board or similar installation where the electrical energy is supplied directly through the street lighting mains of the supply authority on a flat rate basis, no charge.

CARNIVALS AND TRAVELLING SHOWS

Fee

8.—(1) Subject to subparagraphs 3 and 4 for inspection of the installation of electrical equipment of a carnival or a travelling show set up for a period not exceeding 6 days including a connection authorization valid for not more than 6 days.....	\$16.00
---	---------

(2) For each extension of a connection authorization for a period of not more than 6 days and re-inspection of the installation referred to in subparagraph 1.....	8.00
--	------

(3) For inspection of the installation of electrical equipment of a carnival or travelling show consisting of one ride or booth.....	\$ 8.00
--	---------

(4) For inspection of carnivals or travelling shows located at shopping centres where the power is supplied from the existing service,

(a) per ride.....	3.00
(b) per booth.....	1.00

COAL LOADERS

9. For the inspection of the installation of outlets for a coal loader, the fee prescribed by paragraph 27 for the inspection of power outlets of like amperage.

ELEVATORS AND DUMB-WAITERS

10. For the inspection of each installation of an elevator or dumb-waiter, a fee calculated on the basis of the fees payable for the inspection of the electrical installation of generators and motors forming part thereof in accordance with paragraphs 17 and 22 and the fee payable for inspection of the outlets forming part thereof in accordance with paragraph 24.

EXHAUST FANS

11. For the inspection of each installation of an exhaust fan, the fee prescribed by paragraph 22 for the inspection of the installation of motors based on the total horsepower of the exhaust fan motor.

FIXTURES

Fluorescent Fixtures

Fee

12.—(1) For the inspection of the installation of,	
(a) a fluorescent fixture connected to an individual outlet on a wiring system.....	\$.50
(b) two or more fluorescent fixtures installed end to end, the fees prescribed in columns 2, 4, 6 and 8 for the number of fixtures in columns 1, 3, 5 and 7 of Table 1 together with an additional fee of 6 cents for each fixture in excess of 200.	

INCANDESCENT-LAMP FIXTURES

(2) For the inspection of the installation of incandescent-lamp fixtures, the fees prescribed in columns 2, 4, 6 and 8 for the number of fixtures in columns 1, 3, 5 and 7 of Table 2 together with an additional fee of 4 cents for each fixture in excess of 200.

MERCURY-VAPOUR FIXTURES

(3) For the inspection of the installation of mercury-vapour fixtures,

(a) installed indoors with an integral ballast, the fee payable for the inspection of the installation of outlets in accordance with paragraph 24;	
(b) installed indoors with separate ballasts, the sum of the fees payable for the inspection of fixtures in subparagraph 2 and of outlets in paragraph 24.	

FLOODLIGHTING

Fee

13.—(1) For the inspection of the installation of one outlet of 350-watts capacity or more in an installation of floodlights..... \$ 1.65

(2) For each additional floodlight outlet installed by the same contractor where all may be inspected at the same time..... .85

(3) For the inspection of the installation of outlets of less than 350-watts capacity in an installation of floodlights, a fee calculated on the basis of the fees payable for outlets in accordance with paragraph 24.

GAS-BURNER AUTOMATIC CONTROL EQUIPMENT

14. For the inspection of each installation of gas-burner automatic control equipment the fee payable for the inspection of the installation of outlets in accordance with paragraph 24.

GASOLINE DISPENSING DEVICES

Motorless Type

Fee

15.—(1) For the inspection of the installation of,

(a) a motorless gasoline dispensing device where no other installation is made..... \$ 1.65

(b) each additional motorless gasoline dispensing device installed by the same contractor if inspected at the same time as the first device..... .85

(c) each motorless gasoline dispensing device installed concurrently with other electric wiring by a contractor where the entire installation can be inspected at one time..... .85

Self-Contained Motor-Driven Type

(2) For the inspection of the wiring and connections of,

(a) one double-unit or blending gasoline dispensing device..... 3.25

(b) each additional double-unit or blending gasoline dispensing device installed by the same contractor if inspected at the same time as the first dispensing device..... 2.45

(c) each double-unit or blending gasoline dispensing device where inspected at the same time as other wiring installed by the same contractor..... 2.45

(d) one single-unit gasoline dispensing device..... 2.45

(e) each additional single-unit gasoline dispensing device installed by the same contractor if inspected at the same time as the first device..... 1.65

(f) one single-unit gasoline dispensing device where inspected at the same time as other wiring installed by the same contractor..... 1.65

(3) For the inspection of the connections only of,

(a) one double-unit or blending gasoline dispensing device..... 2.45

(b) each additional double-unit or blending gasoline dispensing device installed by the contractor where inspected at the same time as the first device..... \$ 1.65

(c) one double-unit or blending gasoline dispensing device where inspected at the same time as other wiring installed by the same contractor on the premises..... 1.65

(d) one single-unit gasoline dispensing device..... 1.65

(e) each additional single-unit gasoline dispensing device installed by the same contractor where inspected at the same time as the first device.... 1.20

(f) one single-unit gasoline dispensing device where inspected at the same time as other wiring installed by the same contractor on the same premises..... 1.20

GENERAL INSPECTION

16. For a general inspection, per inspection call..... 5.00

GENERATORS

17. For the inspection of the installation of an electric generator, the fee prescribed by paragraph 22 for a motor of like capacity.

EXCITERS

18. For the inspection of the installation of an exciter which forms part of an alternator or of a direct-current generator, no fee.

HEATING AND COOKING APPARATUS

Commercial and Industrial

19.—(1) For the inspection of the installation of each non-portable electric furnace, enamelling oven, commercial cooking-oven, range, electric steam-generator and other non-portable industrial or commercial heating apparatus, a fee based on capacity as follows:

Capacity

Fee

i. 10 kilowatts or less..... \$ 2.00

i. exceeding 10 kilowatts but not 20 kilowatts..... 3.00

iii. exceeding 20 kilowatts but not 40 kilowatts..... 4.25

iv. exceeding 40 kilowatts but not 100 kilowatts..... 5.85

v. exceeding 100 kilowatts but not 200 kilowatts..... 8.10

vi. exceeding 200 kilowatts but not 500 kilowatts..... 11.35

vii. exceeding 500 kilowatts but not 1000 kilowatts..... 16.20

viii. exceeding 1000 kilowatts..... 24.35

(2) For the inspection of,

(a) electric space heating units rated at 5 kilowatts or less, for the first unit.. 1.65

(b) each additional space heating unit if all may be inspected at one time.... .85

PROJECTION HEATERS

20. For the inspection of the installation of each projection heater, the fee prescribed by paragraph 22 for the inspection of the installation of a motor of like capacity.

UNIT-HEATERS

	Fee
21.—(1) For the inspection of the installation of one unit-heater.....	\$ 1.65
(2) For the inspection of the wiring for each additional unit-heater installed by the same contractor where inspected at the same time as the first unit-heater.....	.85

MOTORS

Voltage up to 750

	Fee
22.—(1) For the inspection of the installation of each motor of less than 750 volts, a fee based on horsepower as follows:	
i. fractional horsepower motors,	
(a) where one motor only is inspected.....	\$ 1.65
(b) where more than one motor is installed by one contractor on the same premises and can be inspected at the same time, for each additional motor....	.85
ii. 1 horsepower or more but not exceeding 5 horsepower.....	1.65
iii. exceeding 5 horsepower but not exceeding 10 horsepower.....	2.45
iv. exceeding 10 horsepower but not exceeding 50 horsepower.....	3.60
v. exceeding 50 horsepower but not exceeding 100 horsepower.....	4.85
vi. exceeding 100 horsepower.....	8.10

Voltage over 750

(2) For the inspection of the installation of each electric motor of more than 750 volts, a fee based on horsepower as follows:	
i. 50 horsepower or less.....	16.10
ii. exceeding 50 horsepower but not exceeding 100 horsepower.....	19.45
iii. exceeding 100 horsepower.....	24.35

(3) Where the wiring for a motor of any voltage has been installed by one contractor and the motor has been installed by another contractor, the inspection fee is one-half of the indicated inspection fee, payable by each contractor, with a minimum fee to each contractor of \$1.65.

OIL-BURNERS, GAS-BURNERS AND MECHANICAL-DRAUGHT COAL-BURNERS, ETC.

	Fee
23. For the inspection of each installation of an industrial-type oil-burner.....	\$ 4.80

OUTLETS

24.—(1) For the inspection of the wiring of electrical outlets,

(a) the fees prescribed in columns 2, 4, 6 and 8 for the number of outlets in columns 1, 3, 5 and 7 of Table 3;

(b) where the number of outlets exceeds 200, a fee of \$29.94 together with an additional fee of 8 cents for each outlet in excess of 200.

(2) In the case of the inspection of the installation of the controls for remotely controlled lighting each control shall be deemed to be one outlet and the fee prescribed in subparagraph 1 applies.

(3) For the inspection of the installation of multi-outlet assemblies, the fees prescribed by subparagraph 1 with each connection to the wiring system and each junction counting as one outlet.

OUTLINE-LIGHTING

25. For the inspection of an installation of outline-lighting where the outlets are spaced at not more than 24 inch centres, a fee calculated on the basis of one-half of the fees payable for the outlets in accordance with paragraph 24.

PANELBOARDS AND DISTRIBUTION PANELS

	Fee
26.—(1) For the inspection of each installation of a lighting panelboard not exceeding 200 amperes at 250 volts or less, a fee based on the number of circuits for which space is provided as follows:	

Number of Circuits

i. exceeding 4 circuits but not exceeding 8 circuits.....	\$ 1.65
ii. exceeding 8 circuits but not exceeding 16 circuits.....	2.45
iii. exceeding 16 circuits but not exceeding 24 circuits.....	3.25
iv. exceeding 24 circuits but not exceeding 32 circuits.....	4.10
v. exceeding 32 circuits but not exceeding 42 circuits.....	4.95

(2) For the inspection of each installation of a power panelboard or distribution panel at 750 volts or less, a fee based on capacity as follows:

Capacity of Main Bus

i. 200 amperes or less.....	3.25
ii. exceeding 200 amperes but not exceeding 400 amperes.....	4.80
iii. exceeding 400 amperes but not exceeding 600 amperes.....	8.10
iv. exceeding 600 amperes but not exceeding 1200 amperes.....	11.35
v. exceeding 1200 amperes.....	14.60

POWER-OUTLETS

27.—(1) For the inspection of a power outlet rated at more than 15 amperes but not more than 50 amperes, \$1.65 and 85 cents for each additional such outlet inspected at the same time.

(2) For the inspection of the installation of a power outlet rated at more than 50 amperes, \$3.25 and \$1.65 for each additional such outlet inspected at the same time.

REFRIGERATION EQUIPMENT

Beverage Cooler

28.—(1) For the inspection of the installation of each outlet for a beverage cooler, the fee prescribed for power outlets in paragraph 27.

(2) For the inspection of the installation of a beverage cooler of the permanently connected type, the fee prescribed for the inspection of motors of like rating in paragraph 22.

Bulk-milk Coolers

(3) For the inspection of the installation of a bulk-milk cooler, the fee prescribed for the inspection of motors of like rating in paragraph 22 based on the total horsepower of the cooler.

Refrigeration Cabinet

(4) For the inspection of the installation of a refrigeration cabinet, the fee prescribed for the inspection of motors of like rating in paragraph 22 and an additional fee of 70 cents for each section of the unit.

SERVICES

29.—(1) For the inspection of a temporary or permanent consumer's service operating at low-potential, a fee based on rating in amperes as follows:

Amperes

i. 60 amperes or under	\$ 2.05
ii. over 60 amperes but not exceeding 100 amperes	2.80
iii. over 100 amperes but not exceeding 200 amperes	4.10
iv. over 200 amperes but not exceeding 400 amperes	5.80
v. over 400 amperes but not exceeding 600 amperes	8.00
vi. over 600 amperes but not exceeding 1200 amperes	11.30
vii. over 1200 amperes	14.60

(2) For the inspection of each sub-service switch where installed at the same time as the main service equipment and by the same contractor 45

(3) Where a consumer's service is installed in a duplex building or other multiple occupancy building and 2, 3, 4, 5 or 6 meters are required and no master switch is installed, a fee for inspection of the service calculated on the basis of one service of the combined capacity of the individual service switches and 45 cents for each service switch.

30.—(1) For the inspection of a temporary or permanent consumer's service operating at a potential of more than 750 volts \$ 24.00

(2) For the inspection of service-entrances, isolating switches and circuit-breakers concurrently with the inspection of the service of which they form part, no fee.

(3) Where the service-equipment is mounted on a switchboard, no fee under paragraph 29 or this paragraph.

PRIMARY AND SECONDARY SERVICE LINES

31.—(1) For the inspection of a primary line, \$3.25 where there are not more than 2 customer-owned poles and 45 cents for each additional pole.

Fee

(2) For the inspection of a secondary line where there is more than 1 customer-owned pole \$ 1.65

SIGNS AND MARQUEE LIGHTING

32.—(1) For the inspection of the service, feeders and other wiring for and the connection of one sign or marquee not operated by motor 1.65

(2) For the inspection of the service, feeders and other wiring for and the connection of each additional sign or marquee not operated by motor installed on the same premises by the same contractor where all the installations can be inspected at one time 85

(3) For the inspection of the service, feeders and other wiring for and the connection of one motor-operated sign or motor-operated marquee 4.85

(4) For the inspection of the service, feeders and other wiring for and the connection of each additional motor-operated sign or motor-operated marquee installed on the same premises by the same contractor where all the installations can be inspected at one time 2.45

(5) Where the wiring for a sign or marquee is installed by one contractor and the sign or marquee is connected by another contractor, for the inspection of,

(a) the wiring only of one sign or marquee not operated by motor 1.60

(b) the wiring only of each motor-operated sign or motor-operated marquee 2.45

(c) the connection only of each sign or marquee not operated by motor 1.60

(d) the connection only of each motor-operated sign or motor-operated marquee 2.45

SWITCHBOARDS

33.—(1) For the inspection of an installation of a switchboard operating at a low-potential 8.10

(2) For the inspection of an installation of two or more switchboards operating at a low-potential installed by the same contractor on the same premises where all switchboards can be inspected at the same time, \$8.10 for the first switchboard and \$4.05 for each additional switchboard.

Fee

(3) For the inspection of each installation of a switchboard operating at a high-potential. \$ 16.20

(4) For the inspection of an installation of two or more switchboards operating at a high-potential installed by the same contractor on the same premises where all switchboards can be inspected at one time, \$16.20 for the first switchboard and \$8.10 for each additional switchboard.

TELEPHONE BOOTHS

Fee

34.—(1) For the inspection of the installation of the wiring of a telephone booth, whether connected to a street-lighting service or to a customer's fuse-panel, where all the wiring can be inspected at the same time \$ 2.05

(2) For the inspection of the installation of the wiring of a sign connected to a T-fitting after the inspection under subparagraph 1..... \$ 1.60

THEATRES

35.—(1) For the inspection of the installation of the electrical equipment to be used on the stage of a theatre by a road-show, per inspection call..... \$ 5.00

(2) For each weekly inspection of an installation of electrical equipment to be used on the stage of a theatre by a stock company. 5.00

TRANSFORMERS AND CAPACITORS

36.—(1) For the inspection of the installation of each transformer or capacitor operating at a primary voltage of not more than 750 volts, a fee based on rated kilovolt-amperes as follows:

i. rated at not more than 5 kilovolt-amperes..... 1.65

ii. rated at more than 5 kilovolt-amperes but not more than 10 kilovolt-amperes..... 2.45

iii. rated at more than 10 kilovolt-amperes but not more than 20 kilovolt-amperes..... 2.80

iv. rated at more than 20 kilovolt-amperes but not more than 30 kilovolt-amperes..... 4.60

v. rated at more than 30 kilovolt-amperes..... 6.70

(2) For the inspection of the installation of each single-phase transformer or capacitor operating at a primary potential of more than 750 volts, a fee based on the rated kilovolt-amperes as follows:

i. rated at not more than 25 kilovolt-amperes..... 7.20

ii. rated at more than 25 kilovolt-amperes but not more than 50 kilovolt-amperes..... 10.80

iii. rated at more than 50 kilovolt-amperes but not more than 100 kilovolt-amperes..... 14.40

iv. rated at more than 100 kilovolt-amperes but not more than 500 kilovolt-amperes..... 18.00

v. rated at more than 500 kilovolt-amperes, \$18 plus \$1.20 for each 100 kilovolt-amperes or fraction thereof in excess of 500 kilovolt-amperes.

(3) For the inspection of the installation of each three-phase transformer or capacitor operating at a primary potential of more than 750 volts, a fee calculated on the basis of two-thirds of the fees payable for 3 single-phase transformers or capacitors having a combined kilovolt-ampere rating equal to the three-phase transformer or capacitor.

TROLLEY AND BUS DUCTS

37. For the inspection of the installation of trolley duct or bus duct, for each ten feet or fraction thereof..... \$.20

WATER-HEATER CONTROL WIRE

38. For the inspection of the installation of flat-rate water-heater control wires where not inspected at the same time as the consumer's service..... 1.65

WELDERS

39. For the inspection of the installations of an outlet for a portable welder, the fee payable for the inspection of power outlets in accordance with paragraph 27.

WINDOW STRIP-LIGHTING, COVE-LIGHTING, ETC.

40. For the inspection of a window strip-light, cove-light, or similar installation, one-half of the fee prescribed by paragraph 24 but not less than \$1.65.

X-RAY EQUIPMENT AND HIGH-FREQUENCY APPARATUS

41.—(1) For inspection of the wiring for,
 (a) low-voltage X-ray equipment;
 (b) primary-circuit X-ray equipment;
 (c) low-voltage high-frequency apparatus; or
 (d) primary-circuit high-frequency apparatus..... \$ 3.25

(2) For inspection of the wiring for,
 (a) high-voltage X-ray equipment;
 (b) secondary-circuit X-ray equipment;
 (c) high-voltage high-frequency apparatus; or
 (d) secondary-circuit high-frequency apparatus..... 8.10

TABLE 1
(FLUORESCENT FIXTURES END TO END)

COLUMN 1 No. of Fixtures	COLUMN 2 Fee	COLUMN 3 No. of Fixtures	COLUMN 4 Fee	COLUMN 5 No. of Fixtures	COLUMN 6 Fee	COLUMN 7 No. of Fixtures	COLUMN 8 Fee
..	51	\$8.05	101	\$14.05	151	\$18.36
2	\$1.05	52	8.17	102	14.14	152	18.45
3	1.05	53	8.29	103	14.23	153	18.53
4	1.20	54	8.41	104	14.32	154	18.62
5	1.20	55	8.53	105	14.41	155	18.70
6	1.38	56	8.66	106	14.50	156	18.79
7	1.57	57	8.78	107	14.58	157	18.87
8	1.75	58	8.90	108	14.67	158	18.96
9	1.94	59	9.02	109	14.76	159	19.04
10	2.12	60	9.14	110	14.84	160	19.12
11	2.31	61	9.26	111	14.93	161	19.20
12	2.50	62	9.38	112	15.02	162	19.28
13	2.68	63	9.50	113	15.11	163	19.37
14	2.86	64	9.62	114	15.19	164	19.45
15	3.04	65	9.74	115	15.28	165	19.53
16	3.22	66	9.86	116	15.37	166	19.61
17	3.40	67	9.98	117	15.46	167	19.70
18	3.58	68	10.10	118	15.55	168	19.78
19	3.76	69	10.22	119	15.64	169	19.86
20	3.94	70	10.34	120	15.73	170	19.94
21	4.12	71	10.46	121	15.82	171	20.03
22	4.30	72	10.58	122	15.91	172	20.11
23	4.48	73	10.70	123	16.00	173	20.19
24	4.66	74	10.82	124	16.09	174	20.28
25	4.84	75	10.94	125	16.18	175	20.36
26	4.97	76	11.07	126	16.26	176	20.45
27	5.10	77	11.19	127	16.35	177	20.53
28	5.23	78	11.31	128	16.44	178	20.62
29	5.35	79	11.43	129	16.52	179	20.70
30	5.48	80	11.55	130	16.61	180	20.79
31	5.60	81	11.67	131	16.70	181	20.87
32	5.73	82	11.79	132	16.79	182	20.95
33	5.86	83	11.91	133	16.87	183	21.04
34	5.98	84	12.03	134	16.95	184	21.12
35	6.11	85	12.15	135	17.04	185	21.21
36	6.23	86	12.27	136	17.12	186	21.29
37	6.36	87	12.39	137	17.20	187	21.37
38	6.48	88	12.51	138	17.29	188	21.45
39	6.61	89	12.63	139	17.37	189	21.53
40	6.73	90	12.75	140	17.46	190	21.62
41	6.85	91	12.87	141	17.54	191	21.70
42	6.97	92	13.00	142	17.62	192	21.78
43	7.09	93	13.12	143	17.70	193	21.86
44	7.21	94	13.24	144	17.79	194	21.95
45	7.33	95	13.36	145	17.87	195	22.03
46	7.45	96	13.48	146	17.95	196	22.11
47	7.57	97	13.60	147	18.03	197	22.19
48	7.69	98	13.72	148	18.12	198	22.28
49	7.81	99	13.84	149	18.20	199	22.36
50	7.93	100	13.96	150	18.28	200	22.44

TABLE 2
(INCANDESCENT LAMP FIXTURES)

COLUMN 1 No. of Fixtures	COLUMN 2 Fee	COLUMN 3 No. of Fixtures	COLUMN 4 Fee	COLUMN 5 No. of Fixtures	COLUMN 6 Fee	COLUMN 7 No. of Fixtures	COLUMN 8 Fee
1	\$.50	51	\$5.38	101	\$9.36	151	\$12.18
2	.50	52	5.46	102	9.42	152	12.24
3	.50	53	5.54	103	9.48	153	12.30
4	.80	54	5.62	104	9.54	154	12.36
5	.80	55	5.70	105	9.60	155	12.42
6	.93	56	5.78	106	9.65	156	12.48
7	1.05	57	5.86	107	9.71	157	12.54
8	1.17	58	5.94	108	9.77	158	12.60
9	1.29	59	6.02	109	9.82	159	12.65
10	1.41	60	6.10	110	9.87	160	12.71
11	1.53	61	6.18	111	9.92	161	12.76
12	1.65	62	6.26	112	9.98	162	12.81
13	1.77	63	6.34	113	10.04	163	12.87
14	1.89	64	6.42	114	10.09	164	12.92
15	2.01	65	6.50	115	10.15	165	12.98
16	2.13	66	6.58	116	10.21	166	13.03
17	2.25	67	6.66	117	10.27	167	13.09
18	2.37	68	6.74	118	10.32	168	13.14
19	2.49	69	6.82	119	10.38	169	13.20
20	2.61	70	6.90	120	10.44	170	13.25
21	2.73	71	6.98	121	10.50	171	13.31
22	2.85	72	7.06	122	10.56	172	13.37
23	2.97	73	7.14	123	10.62	173	13.42
24	3.09	74	7.22	124	10.68	174	13.48
25	3.21	75	7.30	125	10.74	175	13.54
26	3.30	76	7.38	126	10.79	176	13.60
27	3.39	77	7.46	127	10.85	177	13.66
28	3.48	78	7.54	128	10.90	178	13.72
29	3.57	79	7.62	129	10.95	179	13.78
30	3.66	80	7.70	130	11.00	180	13.84
31	3.75	81	7.78	131	11.06	181	13.90
32	3.84	82	7.86	132	11.12	182	13.95
33	3.93	83	7.94	133	11.18	183	14.01
34	4.02	84	8.02	134	11.23	184	14.07
35	4.10	85	8.10	135	11.29	185	14.13
36	4.18	86	8.18	136	11.34	186	14.18
37	4.26	87	8.26	137	11.40	187	14.24
38	4.34	88	8.34	138	11.46	188	14.29
39	4.42	89	8.42	139	11.52	189	14.34
40	4.50	90	8.50	140	11.58	190	14.40
41	4.58	91	8.58	141	11.63	191	14.45
42	4.66	92	8.66	142	11.69	192	14.51
43	4.74	93	8.74	143	11.74	193	14.56
44	4.82	94	8.82	144	11.80	194	14.62
45	4.90	95	8.90	145	11.85	195	14.67
46	4.98	96	8.98	146	11.90	196	14.73
47	5.06	97	9.06	147	11.96	197	14.78
48	5.14	98	9.14	148	12.02	198	14.84
49	5.22	99	9.22	149	12.07	199	14.90
50	5.30	100	9.30	150	12.12	200	14.95

TABLE 3

(OUTLETS)

COLUMN 1 No. of Outlets	COLUMN 2 Fee	COLUMN 3 No. of Outlets	COLUMN 4 Fee	COLUMN 5 No. of Outlets	COLUMN 6 Fee	COLUMN 7 No. of Outlets	COLUMN 8 Fee
1	\$1.60	51	\$10.78	101	\$18.74	151	\$24.55
2	1.60	52	10.94	102	18.86	152	24.66
3	1.60	53	11.10	103	18.98	153	24.77
4	1.60	54	11.26	104	19.10	154	24.88
5	1.60	55	11.42	105	19.22	155	24.99
6	1.85	56	11.58	106	19.34	156	25.10
7	2.10	57	11.74	107	19.46	157	25.21
8	2.35	58	11.90	108	19.58	158	25.32
9	2.60	59	12.06	109	19.70	159	25.43
10	2.85	60	12.22	110	19.82	160	25.54
11	3.10	61	12.38	111	19.94	161	25.65
12	3.35	62	12.54	112	20.06	162	25.76
13	3.60	63	12.70	113	20.18	163	25.87
14	3.84	64	12.86	114	20.30	164	25.98
15	4.08	65	13.02	115	20.42	165	26.09
16	4.32	66	13.18	116	20.54	166	26.20
17	4.56	67	13.34	117	20.66	167	26.31
18	4.80	68	13.50	118	20.78	168	26.42
19	5.04	69	13.66	119	20.90	169	26.53
20	5.28	70	13.82	120	21.02	170	26.64
21	5.52	71	13.98	121	21.14	171	26.75
22	5.76	72	14.14	122	21.26	172	26.86
23	6.00	73	14.30	123	21.38	173	26.97
24	6.24	74	14.46	124	21.50	174	27.08
25	6.48	75	14.62	125	21.62	175	27.19
26	6.65	76	14.78	126	21.74	176	27.30
27	6.82	77	14.94	127	21.86	177	27.41
28	6.99	78	15.10	128	21.98	178	27.52
29	7.16	79	15.26	129	22.10	179	27.63
30	7.33	80	15.42	130	22.22	180	27.74
31	7.50	81	15.58	131	22.34	181	27.85
32	7.67	82	15.74	132	22.46	182	27.96
33	7.84	83	15.90	133	22.57	183	28.07
34	8.01	84	16.06	134	22.68	184	28.18
35	8.18	85	16.22	135	22.79	185	28.29
36	8.35	86	16.38	136	22.90	186	28.40
37	8.52	87	16.54	137	23.01	187	28.51
38	8.69	88	16.70	138	23.12	188	28.62
39	8.86	89	16.86	139	23.23	189	28.73
40	9.02	90	17.02	140	23.34	190	28.84
41	9.18	91	17.18	141	23.45	191	28.95
42	9.34	92	17.34	142	23.56	192	29.06
43	9.50	93	17.50	143	23.67	193	29.17
44	9.66	94	17.66	144	23.78	194	29.28
45	9.82	95	17.82	145	23.89	195	29.39
46	9.98	96	17.98	146	24.00	196	29.50
47	10.14	97	18.14	147	24.11	197	29.61
48	10.30	98	18.30	148	24.22	198	29.72
49	10.46	99	18.46	149	24.33	199	29.83
50	10.62	100	18.62	150	24.44	200	29.94

Schedule 3

ANNUAL INSPECTION

1. For inspections carried out pursuant to an annual application for inspection where, in the opinion of the Commission, electrical installation work of a routine nature in connection with the maintenance or operation of a manufacturing, mercantile or other building or the plant therein is required to be performed at frequent intervals and where the owner or occupant employs his own electricians for the purpose, an annual fee based on the number of persons employed, as follows:

Number of persons employed,	Fee
i. not exceeding 100.....	\$ 25.00
ii. exceeding 100 but not exceeding 250.	40.00
iii. exceeding 250 but not exceeding 500.	80.00
iv. exceeding 500 but not exceeding 1000	160.00
v. exceeding 1000, \$160.00, and \$80.00 for each additional 500 employees.	

DEFECTS

2. For the inspection of a defective installation of which the contractor has been notified and which has not been corrected. . . . 6.00

MISCELLANEOUS

Fee

3. For the inspection of any electrical installation that is not provided for in Schedule 1, Schedule 2 or this Schedule, per inspection call. \$ 5.00

PLANS AND SPECIFICATIONS

4. For the examination of plans and specifications, \$5 per half hour or any fraction thereof.

SPECIAL INSPECTION

5. For the inspection of electrical equipment that is submitted to the Commission for examination, testing and approval in accordance with the regulations, \$10 per hour or any fraction thereof plus any necessary travelling expenses incurred by the inspector.

TEMPORARY CONNECTION AUTHORIZATION

Fee

6. For each application for a temporary connection authorization in addition to the fees otherwise payable under Schedule 1 or 2. . . \$ 3.60

TRAVELLING EXPENSES

7. The travelling expenses incurred by an inspector in carrying out an inspection of an electrical installation located in an area not accessible from travelled roads, in addition to the fees otherwise payable.

(1529) 47

11
12
13
14
15
16
17
18
19
20
21
22
23
24
25
26
27
28
29
30
31
32
33
34
35
36
37
38
39
40
41
42
43
44
45
46
47
48
49
50
51
52
53
54
55
56
57
58
59
60
61
62
63
64
65
66
67
68
69
70
71
72
73
74
75
76
77
78
79
80
81
82
83
84
85
86
87
88
89
90
91
92
93
94
95
96
97
98
99
100

Publications Under The Regulations Act

November 28th, 1964

THE HIGHWAY TRAFFIC ACT

O. Reg. 307/64.

Extension of Time for Licences.

Made—November 12th, 1964.

Filed—November 13th, 1964.

REGULATION MADE UNDER THE HIGHWAY TRAFFIC ACT

1. Notwithstanding subsection 1 of section 4 of Regulation 227 of Revised Regulations of Ontario, 1960, as remade by section 1 of Ontario Regulation 322/62, the term of motor vehicle permits, other than permits issued in respect of commercial motor vehicles, trailers and conversion units, issued for the year 1964 is extended from the 31st day of December, 1964 to and including the 28th day of February, 1965.

(1531)

48

THE PUBLIC SERVICE ACT, 1961-62

O. Reg. 308/64.

General.

Made—October 27th, 1964.

Approved—November 12th, 1964.

Filed—November 17th, 1964.

REGULATION MADE UNDER THE PUBLIC SERVICE ACT, 1961-62

1. Ontario Regulation 190/62 is amended by adding thereto the following section:

7a.—(1) In this section "teacher" means a teacher as defined in *The Teaching Profession Act*.

(2) Upon appointment to the public service a teacher is entitled to an attendance credit of nine days for each year of past teaching service up to but not exceeding forty-five days, but in no case shall the attendance credit exceed the sick leave credit accumulated by the teacher during his past teaching service.

(3) For the purpose of computing the amount payable to a civil servant under subsection 3 of section 7, any portion of an attendance credit given to him under this section that stands to his credit when he ceases to be a civil servant shall be deducted from his accumulated credits.

CIVIL SERVICE COMMISSION:

D. J. COLLINS.

Dated at Toronto, this 27th day of October, 1964.

(1546)

48

THE INDUSTRIAL STANDARDS ACT

O. Reg. 309/64.

Designations of Industries and Zones.

Made—November 17th, 1964.

Filed—November 18th, 1964.

REGULATION MADE UNDER THE INDUSTRIAL STANDARDS ACT

1. Paragraph 9 of Appendix A to Regulation 244 of Revised Regulations of Ontario, 1960, as remade by section 1 of Ontario Regulation 39/64, is revoked and the following substituted therefor:

HAMILTON ZONE

9. The City of Hamilton and the suburban areas adjacent thereto and lying within a line drawn as follows: Beginning at the intersection of the southerly limit of Lot 35, Concession 4 or Broken Front Concession, Township of Trafalgar, County of Halton with the westerly shore of Lake Ontario; thence northwesterly along the said southerly limit and along the southerly limit of Lot 35 in each of concessions 3, 2 and 1 south of Dundas Street and along the southerly limit of Lot 35 in each of concessions 1 and 2 north of Dundas Street to the westerly limit of Concession 2 north of Dundas Street; thence southerly along the westerly limit of Concession 2 north of Dundas Street to the northerly limit of the Township of East Flamborough, County of Wentworth; thence northwesterly along the northerly limit of the Township of East Flamborough to the road allowance between concessions 6 and 7, Township of East Flamborough; thence southwesterly along the said road allowance to the road allowance between the townships of East Flamborough and West Flamborough; thence southeasterly along the last-mentioned road allowance to the road allowance between concessions 5 and 6, Township of West Flamborough; thence westerly along the last mentioned road allowance to the road allowance between the townships of West Flamborough and Beverly; thence southerly along the last mentioned road allowance to and continuing in a southerly direction along the road allowance between lots 36 and 37 in each of concessions 1 to 6 both inclusive, Township of Ancaster to the northerly limit of Concession 7; thence easterly along the northerly limit of Concession 7 to the easterly limit of the road allowance between the townships of Ancaster and Glanford; thence northerly along the easterly limit of the last mentioned road allowance to the northerly limit of Concession 6, Township of Glanford; thence easterly along the northerly limit of the last mentioned concession to the westerly limit of Lot 7, Block 5, Concession 4, Township of Binbrook; thence northerly along the westerly limit of Lot 7 to the northerly limit of said Concession 4; thence easterly along the northerly limit of the last mentioned concession to the easterly limit of the road allowance between the Township of Binbrook, County of Wentworth, and the Township of Caistor, County of Lincoln; thence northerly along the easterly limit of the last mentioned road allowance and along the easterly limit of the road allowance between the Township of Binbrook, County of Wentworth and the

Township of Grimsby South, County of Lincoln, to the southerly limit of the road allowance between the Township of Grimsby South, County of Lincoln and the Township of Saltfleet, County of Wentworth; thence easterly along the southerly limit of the last mentioned road allowance to the easterly limit of the road allowance between the last mentioned townships; thence northerly along the last mentioned easterly limit and the easterly limit of the road allowance between the Township of Saltfleet, County of Wentworth and the Township of Grimsby North, County of Lincoln to the southerly shore of Lake Ontario; thence westerly and northerly along the southerly and westerly shore of Lake Ontario to the place of beginning.

2. Paragraph 16 of Appendix A to Regulation 244 of Revised Regulations of Ontario, 1960, as remade by section 2 of Ontario Regulation 39/64, is revoked and the following substituted therefor:

OTTAWA ZONE

16. The City of Ottawa and the suburban areas adjacent thereto and lying within a line drawn as follows: Beginning at the intersection of the northwesterly limit of the road allowance between lots 20 and 21, Concession 7 in the Township of March, with the high water mark on the southwesterly bank of the Ottawa River; thence southwestward along the northwesterly limit of the road allowance between lots 20 and 21, in each of concessions 7, 6, 5, 4, 3, 2 and 1 in the said township and along the northwesterly limit of the road allowance between lots 20 and 21 in each of concessions 1, 2, 3 and 4 in the Township of Huntley to the southwestward limit of the road allowance between concessions 4 and 5; thence southeasterly along the southwestward limit of the last mentioned road allowance to the division line between the townships of Huntley and Goulbourn; thence northeasterly along the said division line to the division line between lots 18 and 19, Concession 12 in the Township of Goulbourn; thence southeasterly along the division line between lots 18 and 19 through each of concessions 12 to 1, both inclusive, to the division line between the townships of Goulbourn and Marlborough; thence northeasterly along the last mentioned division line to the division line between lots 7 and 8, Concession 10 in the Township of Marlborough; thence southeasterly along the last mentioned division line to the division line between concessions 9 and 10 in the Township of Marlborough; thence northeasterly along the northwesterly limit of Concession 9, Township of Marlborough to and continuing in a northeasterly direction along the northwesterly limit of Lot 6 in each of concessions 4, 3, 2, 1, "A" and broken front in the Township of North Gower; thence continuing in a northeasterly direction along the northwesterly limit of Lot 6, Concession 1 in the Township of Osgoode to the northeasterly limit of said Lot 6; thence southerly along the northeasterly limit of said Lot 6 to the production southwestward of the northwesterly limit of Lot 6, Concession 2; thence northeasterly along the said production and the northwesterly limit of Lot 6, Concession 2, and its production northeasterly to the northeasterly limit of the road allowance between concessions 2 and 3; thence northwesterly along the last mentioned northeasterly limit to the southeasterly limit of the road allowance between lots 5 and 6; Concession 3; thence northeasterly along the southeasterly limit of the road allowance between lots 5 and 6 in concessions 3 to 11, both inclusive, to the southwestward limit of the road allowance

between the Township of Osgoode, County of Carleton and the Township of Cumberland, County of Russell; thence southeasterly along the last mentioned southwestward limit to the production southwestward of the southeasterly limit of the road allowance between the townships of Cumberland and Russell in the County of Russell; thence northeasterly along the said production of and the southeasterly limit of the last mentioned road allowance to the production southeasterly of the southwestward limit of Concession 3 in the Township of Cumberland; thence northwesterly along the said production and the southwestward limit of the last mentioned Concession 3 to and continuing in a northwesterly direction along the southwestward limit of the second concession from the Ottawa River to the southerly limit of the first concession from the Ottawa River; thence westerly along the last mentioned southerly limit to the division line between lots 10 and 11 in the last mentioned concession; thence northwesterly along the last mentioned division line to the high water mark on the southerly bank of the Ottawa River; thence westerly along the said high water mark to the place of beginning.

3. Paragraph 25 of Appendix A to Regulation 244 of Revised Regulations of Ontario, 1960, as remade by section 1 of Ontario Regulation 73/62, is revoked and the following substituted therefor:

TORONTO ZONE

25. The City of Toronto and the suburban area adjacent thereto and lying within a line drawn as follows: Beginning where the easterly limit of the road allowance between lots 18 and 19, Range II, in the Township of Pickering, meets the northerly shore of Lake Ontario; thence northerly along the easterly limit of the road allowance between lots 18 and 19 in each of ranges II and III and concessions I, II, III and IV to the northerly limit of the road allowance between concessions IV and V in the Township of Pickering; thence westerly along the said northerly limit to the easterly limit of the road allowance between lots 34 and 35, Concession V in the Township of Pickering; thence northerly along the said easterly limit to the northerly limit of the road allowance between concessions V and VI in the Township of Pickering; thence easterly along the said northerly limit to the division line between lots 34 and 35, Concession VI in the Township of Pickering; thence northerly along the said division line to the production easterly of the road allowance between lots 15 and 16, Concession X east of Yonge Street, in the Township of Markham; thence westerly along the said production to the northerly limit of the road allowance between lots 15 and 16, Concession X east of Yonge Street; thence westerly along the northerly limit of the road allowance between lots 15 and 16 in each of concessions X, IX, VIII, VII, VI, V, IV and III east of Yonge Street, in the Township of Markham, to the easterly limit of the road allowance between concessions II and III east of Yonge Street, in the Township of Markham; thence northerly along the said easterly limit to the northerly limit of the road allowance between the townships of Markham and Whitchurch; thence easterly along the said northerly limit to the easterly limit of the road allowance between concessions II and III east of Yonge Street, in the Township of Whitchurch; thence northerly along the said easterly limit to the easterly limit of the road allowance between concessions II and III east of Yonge Street, in the Township of East Gwillimbury; thence northerly along the said easterly limit to the northerly limit

of the road allowance between lots 5 and 6, Concession II east of Yonge Street, in the Township of East Gwillimbury; thence westerly along the said northerly limit to the northerly limit of the road allowance between lots 100 and 101, Concession I east of Yonge Street, in the Township of East Gwillimbury; thence westerly along the said northerly limit to the northerly limit of the road allowance between lots 100 and 101, Concession I west of Yonge Street, in the Township of East Gwillimbury; thence westerly along the said northerly limit to the westerly limit of the road allowance between the townships of East Gwillimbury and King; thence southerly along the said westerly limit to the westerly limit of the road allowance between concessions I and II west of Yonge Street, in the Township of King; thence southerly along the said westerly limit to the division line between lots 11 and 12, Concession II west of Yonge Street, in the Township of King; thence westerly along the division line between lots 11 and 12 in each of concessions II, III, IV, V, VI, VII, VIII, IX, X and XI west of Yonge Street, in the Township of King to the northwesterly limit of the road allowance between lots 10 and 11, Concession VIII in the Township of Albion; thence southwesterly along the northwesterly limit of the road allowance between lots 10 and 11 in each of concessions VIII and VII in the Township of Albion to the northeasterly limit of the road allowance between concessions VI and VII in the Township of Albion; thence northwesterly along the said northeasterly limit to the division line between lots 11 and 12, Concession VI in the Township of Albion; thence southwesterly along the division line between lots 11 and 12 in each of concessions VI, V, IV, III, II and I in the Township of Albion to the division line between lots 28 and 29, Concession VI east of Hurontario Street, in the Township of Chinguacousy; thence southwesterly along the division line between lots 28 and 29 in each of concessions VI, V, IV, III, II and I east of Hurontario Street and concessions I and II west of Hurontario Street, in the Township of Chinguacousy to the southwestwesterly limit of the road allowance between concessions II and III west of Hurontario Street, in the Township of Chinguacousy; thence southeasterly along the said southwestwesterly limit to the division line between lots 12 and 13, Concession III west of Hurontario Street, in the Township of Chinguacousy; thence southwesterly along the division line between lots 12 and 13 in each of concessions III, IV and V west of Hurontario Street, in the Township of Chinguacousy to the southwestwesterly limit of the road allowance between concessions V and VI west of Hurontario Street, in the Township of Chinguacousy; thence southeasterly along the said southwestwesterly limit to the northwesterly limit of the road allowance between lots 5 and 6, Concession VI west of Hurontario Street, in the Township of Chinguacousy; thence southwesterly along the said northwesterly limit to the northwesterly limit of the road allowance between lots 5 and 6, Concession XI in the Town of Oakville (formerly Township of Trafalgar); thence southwesterly along the northwesterly limit of the road allowance between lots 5 and 6 in each of concessions XI, X, IX and VIII in the Town of Oakville (formerly the Township of Trafalgar) to the southwestwesterly limit of the road allowance between concessions VII and VIII in the Town of Oakville (formerly Township of Trafalgar); thence southeasterly along the said southwestwesterly limit to the northwesterly limit of the road allowance between Concession VII

and Concession II north of Dundas Street, in the Town of Oakville (formerly Township of Trafalgar); thence southwestwesterly along the said northwesterly limit to the division line between lots 12 and 13, Concession II north of Dundas Street; thence southeasterly along the division line between lots 12 and 13 in each of concessions II and I north of Dundas Street, in the Town of Oakville (formerly Township of Trafalgar) to the southeasterly limit of Dundas Street in the Town of Oakville (formerly Township of Trafalgar); thence northeasterly along the southeasterly limit of Dundas Street to the northeasterly limit of the road allowance between lots 10 and 11, Concession I south of Dundas Street in the Town of Oakville (formerly Township of Trafalgar); thence southeasterly along the northeasterly limit of the road allowance between lots 10 and 11 in each of the concessions I and II south of Dundas Street in the Town of Oakville (formerly Township of Trafalgar) to the northwesterly limit of the road allowance between concessions II and III south of Dundas Street, in the Town of Oakville (formerly Township of Trafalgar); thence northeasterly along the said northwesterly limit to the northeasterly limit of the road allowance between the Town of Oakville (formerly Township of Trafalgar) and the Township of Toronto; thence southeasterly along the said northeasterly limit to the northeasterly shore of Lake Ontario; thence easterly along the northerly shore of Lake Ontario to the place of beginning.

4. Paragraph 25 of Appendix C to Regulation 244 of Revised Regulations of Ontario, 1960, as remade by section 2 of Ontario Regulation 298/62, is revoked and the following substituted therefor:

GALT ZONE

25. The City of Galt and the towns of Hespeler and Preston and the suburban area adjacent thereto and lying within a line drawn as follows: Beginning at the southwest corner of Lot 13, Concession IV Beasley's Lower Block in the Township of Waterloo; thence westerly along the division line between lots 12 and 13, Concession III Beasley's Lower Block, to the easterly limit of the Town of Hespeler; thence northerly along the easterly limit of the Town of Hespeler to the northerly limit of the Town of Hespeler; thence westerly along the northerly limit of the Town of Hespeler to the westerly limit of the Town of Hespeler; thence southerly along the westerly limit of the Town of Hespeler to the northerly bank of the Speed River; thence southwestwesterly along the northerly bank of the Speed River to the northerly limit of the King's Highway No. 401; thence westerly along the northerly limit of the King's Highway No. 401 to the division line between lots 26 and 27, Beasley's Broken Front Concession; thence westerly along the division line between lots 26 and 27, Beasley's Broken Front Concession, to the southwest corner of Lot 27, Beasley's Broken Front Concession; thence northerly along the westerly limit of lots 27, 28, 29 and 30, Beasley's Broken Front Concession, to the northwest corner of Lot 30, Beasley's Broken Front Concession; thence westerly along the northerly limit of lots 19 and 14, Beasley's Broken Front Concession, to the southeasterly bank of the Grand River; thence in a general southwestwesterly direction along the southeasterly bank of the Grand River to the division line between lots 11 and 12, Beasley's Broken Front Concession; thence southerly along the division line between lots 11 and 12,

Beasley's Broken Front Concession, to the southerly limit of a public road running easterly and westerly through lots 9, 10, 11 and 12, Beasley's Broken Front Concession; thence easterly along the southerly limit of the public road to the division line between lots 9 and 10, Beasley's Broken Front Concession; thence southerly along the division line between lots 9 and 10, Beasley's Broken Front Concession, and its production southerly to the southwesterly limit of County Road No. 14; thence southeasterly along the southwesterly limit of County Road No. 14 to the northerly limit of a public road running easterly and westerly through Lot 4, Beasley's Old Survey; thence westerly along the northerly limit of the public road to the division line between lots 4 and 5, Beasley's Old Survey; thence southerly along the division line between lots 4 and 5, Beasley's Old Survey, to the southerly limit of County Road No. 6; thence easterly along the southerly limit of County Road No. 6 to the southerly limit of County Road No. 14; thence southeasterly along the southerly limit of County Road No. 14 to the division line between lots 1 and 2, Beasley's Old Survey; thence southerly along the division line between lots 1 and 2, Beasley's Old Survey, in the Township of Waterloo, to the division line between lots 17 and 18, Concession XII, in the Township of North Dumfries; thence southerly along the division line between lots 17 and 18, Concession XII, and its production southerly, to the southerly limit of the road allowance between concessions XI and XII; thence westerly along the southerly limit of the road allowance between concessions XI and XII to the easterly limit of Lot 15, Concession XI; thence southerly along the easterly limit of Lot 15 in each of concessions XI, X and IX, to the southwest corner of Lot 2, Concession West of Grand River, opposite Concession IX; thence easterly along the southerly limit of Lot 2 in each of Concession West of Grand River and Concession East of Grand River, opposite Concession IX, to the easterly limit of the King's Highway No. 24; thence northerly along the easterly limit of the King's Highway No. 24 to the southerly limit of County Road No. 17A; thence easterly along the southerly limit of County Road No. 17A to the southerly limit of the road allowance between concessions IX and X; thence easterly along the southerly limit of the road allowance between concessions IX and X to the easterly limit of the Township of North Dumfries; thence northerly along the easterly limit of the townships of North Dumfries and Waterloo to the northerly limit of the King's Highway No. 401; thence westerly along the northerly limit of the King's Highway No. 401 to the westerly limit of Concession IV Beasley's Lower Block; thence northerly along the westerly limit of Concession IV Beasley's Lower Block, to the place of beginning.

5. Paragraph 41 of Appendix C to Regulation 244 of Revised Regulations of Ontario, 1960, as remade by subsection 1 of section 2 of Ontario Regulation 171/64, is revoked and the following substituted therefor:

NORTH BAY ZONE

41. The City of North Bay and the suburban area adjacent thereto and lying within a line drawn as follows: Beginning at the intersection of the westerly limit of Lot 2, Concession B in the Township of Commanda with the northerly shore of Lake Nipissing; thence northerly along the westerly limit of Lot 2 in each of Concessions B, A, 1, 2, 3, 4, 5 and 6 and along

the production northerly of the westerly limit of Lot 2, Concession 6 to the northerly limit of the Township of Commanda; thence easterly along the northerly limit of the townships of Commanda and Widdifield to the easterly limit of the Township of Widdifield; thence southerly along the said easterly limit and its production southerly to the centre line of the Mattawa River; thence easterly along the centre line of the Mattawa River to the production northerly of the easterly limit of the Township of East Ferris; thence southerly along the production northerly of the easterly limit of the Township of East Ferris and along the easterly limit of the Township of East Ferris to the southerly limit of Concession 8; thence westerly along the southerly limit of Concession 8 in the Township of East Ferris and along the production westerly of the said southerly limit of Concession 8 through the Township of North Himsforth to the easterly shore of Lake Nipissing; thence in a general northwesterly direction following the windings and turnings of the easterly shoreline to the place of beginning.

6. Paragraph 57 of Appendix C to Regulation 244 of Revised Regulations of Ontario, 1960 is revoked and the following substituted therefor:

ST. CATHARINES ZONE

57. The City of St. Catharines, the towns of Merritton and Port Dalhousie and the suburban area adjacent thereto and lying within a line drawn as follows: Beginning where the westerly bank of the Welland Canal meets the southerly shore of Lake Ontario; thence southerly along the westerly bank of the Welland Canal in the townships of Grantham and Thorold to the southerly limit of Lot 49 in the Township of Thorold; thence westerly along the southerly limit of lots 49, 50, 51 and 52 to the southwest corner of Lot 52 in the Township of Thorold; thence northerly along the westerly limit of lots 52, 34 and 21 to the southerly limit of the road allowance between the townships of Thorold and Grantham; thence southwestwardly along the southerly limit of the said road allowance to the production southerly of the line between the townships of Louth and Grantham; thence northerly along the said production and along the said line between the townships of Louth and Grantham to the southerly limit of the Queen Elizabeth Way; thence westerly along the southerly limit of the Queen Elizabeth Way to the easterly limit of the road allowance between lots 4 and 5, Concession 1, in the Township of Louth; thence northerly along the easterly limit of the road allowance between lots 4 and 5 to the southerly shore of Lake Ontario; thence easterly along the southerly shore to the place of beginning.

7. Paragraph 65a of Appendix C to Regulation 244 of Revised Regulations of Ontario, 1960, as remade by section 1 of Ontario Regulation 172/64, is revoked and the following substituted therefor:

SUDBURY ZONE

- 65a. The City of Sudbury and the suburban area adjacent thereto and lying within a line drawn as follows: Beginning at the intersection of the westerly limit of the Township of Graham with the northerly limit of the King's Highway No. 17; thence northerly along the western limit of the townships of Graham, Creighton and Balfour to the northerly limit of the Township of Balfour; thence easterly along the northerly limit of the townships of Balfour and Rayside to the westerly limit of

the Township of Hanmer; thence northerly along the westerly limit of the Township of Hanmer to the northerly limit of the Township of Hanmer; thence easterly along the northerly limit of the townships of Hanmer and Capreol to the boundary between the townships of Capreol and Macleannan; thence southerly along the boundary between the townships of Capreol and Macleannan to the northerly limit of Concession 1 in the Township of Macleannan; thence easterly along the said northerly limit of Concession 1 to the easterly limit of the Township of Macleannan; thence southerly along the easterly limit of the townships of Macleannan, Falconbridge, Dryden and Cleland to the southerly limit of Concession 3 in the Township of Cleland; thence westerly along the said southerly limit of Concession 3 through the townships of Cleland, Dill, Broder and Waters to a road running northerly through Concession 3 in the vicinity of lots 5 and 6, Concession 3 in the Township of Waters; thence northerly along the said road to the northerly limit of Concession 3 in the Township of Waters; thence westerly along the northerly limit of Concession 3 to the northerly limit of the King's Highway No. 17; thence westerly along the northerly limit of the King's Highway No. 17 to the place of beginning.

H. L. ROWNTREE,
Minister of Labour.

Dated at Toronto, this 17th day of November, 1964.

(1547)

48

THE HIGHWAY TRAFFIC ACT

O. Reg. 310/64.

Parking.

Made—November 19th, 1964.

Filed—November 20th, 1964.

REGULATION MADE UNDER THE HIGHWAY TRAFFIC ACT

1. Regulation 229 of Revised Regulations of Ontario, 1960, as amended by Ontario Regulations 114/64, 116/64 and 285/64, is further amended by adding thereto the following Schedule:

Schedule 4

HIGHWAY No. 7A

1. That part of the King's Highway known as No. 7A in the Township of Reach in the County of Ontario commencing at a point situate 850 feet measured easterly from its intersection with the centre line of the road allowance between lots 19 and 20 in Concession 5 and extending easterly therealong for a distance of 2715 feet more or less.

(1558)

48

THE ENERGY ACT

O. Reg. 311/64.

Spacing Units—Township of Gosfield South.

Made—November 19th, 1964.

Filed—November 20th, 1964.

REGULATION MADE UNDER THE ENERGY ACT

1. This Regulation applies to lots 1 to 9, both inclusive, in the Front Concession, Western Division, in the Township of Gosfield South in the County of Essex.

2. A tract of land situate in Lot 6 and having,

- (a) an area of twenty-five acres;
- (b) side lines parallel to the lot lines of Lot 6; and
- (c) at its centre the well known as Putman-McVittie No. 1,

is designated as spacing unit No. 1.

3. A development well that is bored or drilled after this Regulation comes into force shall be located in a spacing unit that is a square,

- (a) twenty-five acres in area;
- (b) parallel with the four sides of spacing unit No. 1; and
- (c) contiguous to spacing unit No. 1 or connected to spacing unit No. 1 by other spacing units.

4. For the purposes of this Regulation, no portion of the lands mentioned in section 1 shall be combined with other lands to form a spacing unit.

5. No person shall,

- (a) bore or drill a well within 150 feet of the near limit of any highway, road allowance, railroad, electric transmission line or pipe line;
- (b) bore or drill more than one well on each spacing unit to a formation of Ordovician or Cambrian age;
- (c) bore or drill a well on a spacing unit closer than 350 feet to the boundary thereof;
- (d) bore or drill or produce from a well on a spacing unit unless he has entered into an arrangement with every other person having an interest in the oil in the spacing unit or any part thereof to share the production and the costs of production in proportion to the interest held;
- (e) produce gas for sale from Ordovician or Cambrian formations from any development well without the consent of the Minister.

6. The royalty interests of the owners of lands within the spacing unit designated as No. 1 are hereby joined for the purpose of operating the well known as Putman-McVittie No. 1 and sharing of royalty in proportion to the acreage owned within the unit by each owner.

7. Ontario Regulation 375/61 is revoked.

(1559)

48

[The page contains extremely faint and illegible text, likely bleed-through from the reverse side of the document. The text is scattered across the page and does not form any recognizable words or sentences.]

Publications Under The Regulations Act

December 5th, 1964

THE REAL ESTATE AND BUSINESS BROKERS ACT

O. Reg. 312/64.
Registration.
Made—November 19th, 1964.
Filed—November 23rd, 1964.

REGULATION MADE UNDER THE REAL ESTATE AND BUSINESS BROKERS ACT

1. Paragraph 3 of section 4 of Regulation 533 of Revised Regulations of Ontario, 1960 is revoked and the following substituted therefor:

3. Upon consent to a transfer of employment by a salesman from the broker who is registered as his employer to another registered broker..... 3.00

2.—(1) Subsection 1 of section 5 of Regulation 533 of Revised Regulations of Ontario, 1960 is amended by striking out "Superintendent" in the sixth line and inserting in lieu thereof "Director".

(2) Subsection 2 of the said section 5 is amended by striking out "Superintendent" in the seventh line and inserting in lieu thereof "Director".

(3) Subsection 3 of the said section 5 is amended by striking out "Superintendent" in the second and third lines and inserting in lieu thereof "Director".

(4) Subsection 4 of the said section 5 is amended by striking out "Superintendent" in the second line and inserting in lieu thereof "Director".

3. Forms 1, 2 and 3 of Regulation 533 of Revised Regulations of Ontario, 1960 are revoked and the following substituted therefor:

Form 1

The Real Estate and Business Brokers Act

BROKER'S APPLICATION

Date of Application.....19....

Application of:

(name under which business will be carried on)

The undersigned applies to the Registrar for registration as a broker under *The Real Estate and Business Brokers Act*, and for the purpose of procuring registration gives the following information:

1. Set out below the full name, address and telephone number of the individual broker applicant, or in the case of a partnership, of each partner.

Name in Full	Residence Address	City or Town	Res. Tel. No.

Business address for service of individual, or partnership.....

Business Telephone No.....

2. Ontario Branches (if any):
3. Have you (or any partner of the applicant) heretofore been registered or applied for registration as a real estate broker or salesman? If so, give particulars:
4. Has the applicant (or any partner) ever been refused a licence or registration or has licence or registration of either been revoked or suspended in any province or state? If so, give particulars:
5. Has the applicant (or any partner) been expelled from any Professional Association, Society or Organization? If so, give particulars:
6. The following is a short business record, during the past three years of:
 - (a) the applicant (individual); or
 - (b) each partner of the applicant-partnership and of the partnership.

7. Will the applicant (or any partner of the applicant) be engaged, occupied or employed in any business occupation or profession other than real estate brokerage? If so, give particulars:

GIVE DETAILED DESCRIPTION:

INDIVIDUAL APPLICANT Name.....My Nationality is.....

I am single..... Number of persons, if any, dependent on me for support.....
 married.....

Age.....Height.....Complexion.....Weight.....Build.....

Special Marks.....Hair.....Eyes.....

If married, state nature of employment of spouse.....

PARTNER APPLICANT Name.....My Nationality is.....

I am single..... Number of persons, if any, dependent on me for support.....
 married.....

Age.....Height.....Complexion.....Weight.....Build.....

Special Marks.....Hair.....Eyes.....

PARTNER APPLICANT Name.....My Nationality is.....

I am single..... Number of persons, if any, dependent on me for support.....
 married.....

Age.....Height.....Complexion.....Weight.....Build.....

Special Marks.....Hair.....Eyes.....

8. To each of the following named persons, the business reputation of the applicant is well known, and reference may be made to them for further information (at least 3 names must be given):

Name	City or Town	Street Address	Business or Occupation

9. Set out name of chartered bank, loan or trust company, or Province of Ontario Savings Office and branch in which you will maintain an account designated as a trust account and in which you will deposit all monies coming into your hands in trust for other persons in connection with your real estate business:

10. Is the applicant (or in the case of a partnership, any partner) an undischarged bankrupt? If so, give full particulars:

11. Is there any unpaid judgment against the applicant or any partner? If so, give particulars:

12. Has the applicant (or in the case of a partnership, any partner) been charged, indicted or convicted under any law of any country, or state, or province thereof, of a criminal offence, or are there any proceedings now pending? If so, give particulars:

The applicant asks for registration for the period ending on the 30th day of April, 19....

..... (address of witness) (applicant)

..... (witness) By.....

..... (address of applicant)

NOTE: If the applicant is a partnership the application must be signed by all partners. The affidavit below must be completed by one of the partners.

AFFIDAVIT

(By individual applicant, or by one of the partners, as the case may be.)

PROVINCE OF ONTARIO } I,
 County of } of the.....
 To Wit: } in the County of.....
 } Make oath and say:

1. I am the applicant (or partner of the applicant) herein for registration as a broker, and I signed the foregoing application.
2. The information given by me in the application is true.

SWORN before me at the)
in the)
 County of)
 this day of)
, 19....)

A Commissioner, etc.

Form 2

The Real Estate and Business Brokers Act

BROKER'S APPLICATION BY CORPORATION

Date of Application....., 19....

Application of:

.....
 (name under which business will be carried on)

The undersigned applies to the Registrar for registration as a broker under *The Real Estate and Business Brokers Act*, and for the purpose of procuring registration gives the following information:

1. The applicant is a corporation. Its head office is in Ontario and the names, residence addresses and telephone numbers of its directors and officials are set out below:

Name in Full	Residence Address	City or Town	Res. Tel. No.	Officials
				President
				Vice-President
				Secretary
				Treasurer
				or Sec'y-Treas.
				General Mgr.
				Directors

State whether active or non-active in Real Estate Brokerage

Business address for service of the corporation.....
 Business telephone number.....

2. Ontario Branches (if any):
3. Has the applicant or any official or director of the applicant heretofore been registered or applied for registration as a real estate broker or salesman? If so, give particulars:
4. Has the applicant or any official or director of the applicant ever been refused a licence or registration or has licence or registration been revoked or suspended in any province or state? If so, give particulars:
5. The following is a short business record, during the past three years, of the applicant and of each official of the applicant:
6. During the year immediately prior to the date of this application, the place of residence of each official of the applicant was as follows:
7. Will the applicant (or any official or director of the applicant) be engaged, occupied or employed in any business, occupation or profession other than the real estate brokerage business? If so, give particulars:
8. Set out below the names, addresses and occupations of all the shareholders, together with the number of shares held by each:

Name of Shareholder	Address	Occupation	Number of Shares

Total Number of Shares Issued:

9. Set out name of chartered bank, loan or trust company, or Province of Ontario Savings Office and branch in which you will maintain an account designated as a trust account and in which you will deposit all monies coming into your hands in trust for other persons in connection with your real estate business:
10. Is there any unpaid judgment against the applicant or its directors or officials? If so, give particulars:
11. Is the applicant, or any director or official of the applicant an undischarged bankrupt? If so, give full particulars:
12. Has the applicant or any director or official of the applicant been charged, indicted or convicted under any law of any country, or state, or province thereof, of a criminal offence, or are there any proceedings now pending? If so, give particulars:
13. Have you received your charter? If so, give date of receipt thereof.....

The applicant asks for registration for the period ending on the 30th day of April, 19....

.....
 (company name)

 (signature of official and title)

 (signature of official and title)

 (signature of official and title)

 (signature of official and title)

.....
 (witness)

 (witness)

 (witness)

 (witness)

NOTE: The application must be signed by all the officials of the company.

AFFIDAVIT

Province of Ontario } I,
 County of } of the
 To wit: } in the County of
 } make oath and say:

1. I am an official of the applicant herein for registration as a broker, and I signed the foregoing application.
2. The information given by us in the application is true.

SWORN before me at the
in the
 County of
 this day of
, 19.....

A Commissioner, etc.

Form 3

The Real Estate and Business Brokers Act

SALESMAN'S APPLICATION

I,hereby make application for registration under *The Real Estate and Business Brokers Act*, as a salesman for a registered broker, and in support of this application give the following information:

Estate and Business Brokers Act, as a salesman for a registered broker, and in support of this application give the following information:

1. During the year immediately prior to the date of this application I have resided at the following places:

2. My residence address is (street and number) (municipality)
3. I am:
 single male Number of persons, if any, depending on me for support
 married female
 If married female, state nature of husband's employment.....

GIVE DETAILED DESCRIPTION:

Date of Birth Height Build
 (month) (day) (year)

Weight Special Marks Hair Eyes

4. Will you be engaged or employed in any business, occupation or profession other than real estate brokerage as a salesman? If so, give full particulars:
5. Following are particulars of my occupation during the past three years: (Particulars of the full three-year period, up to and including date of application, must be given.)
 If not employed or a housewife, please state.

Name and Address of Employer	Nature of Business of Employer	Nature of My Employment	Period of Employment (give exact dates)		Residence During Said Employment (city, street and number)
			From:	To:	

- 6. Have you ever been convicted of a criminal offence or violation of any statute?.....
If so, give full particulars of any and all convictions (*attach separate schedule, if necessary*)
.....
.....
- 7. Are you an undischarged bankrupt?.....
If so, give full particulars.....
.....
- 8. Are there any unpaid judgments recorded against you?.....
If so, give full particulars.....
.....
- 9. Have you ever been licensed or registered to trade in real estate anywhere, including the Province of Ontario?
If so, give full particulars.....
.....
- 10. Has any licence or registration of any kind (including driver's licence) been refused you, or suspended or cancelled?.....
If so, give full particulars.....
.....
- 11. Have you ever been expelled or suspended from any Professional Association, Society or Organization?....
If so, give full particulars.....
.....

The Applicant asks for Registration for the period ending on the 30th day of April, 19....

Witness..... Applicant.....
(signature of witness) (signature of applicant)

Address of Witness.....

Dated at..... this..... day of..... 19....

AFFIDAVIT

Province of Ontario }
 County of..... } I,.....
 To Wit: } (print name)
 } of the.....
 } in the County of.....
 } make oath and say:

- 1. I am the applicant herein for registration as a salesman, and I signed the foregoing application.
- 2. The information given by me in the application is true, the name set out in said application is in fact my true name, and I will hold myself out in no other manner.

3. I undertake that I will not trade in real estate until I receive notification from the Registrar that I am registered to so do.

SWORN before me at the.....

In the County of.....

this..... day of....., 19.....
A Commissioner, etc.

.....
(signature of applicant)

CERTIFICATE OF EMPLOYER

To the Registrar:

I,.....(name of intended employer) hereby certify that the information given by.....(name of applicant) in the foregoing application is to the best of my knowledge and belief true, and request that the application be granted. I further certify that he will not share in either the expenses or the profits of my/our real estate business but will be paid a commission or salary for work performed; and that I will not employ the applicant until I in fact receive his licence certificate.

.....
(registered name of employer)

By.....

.....
(title of official signing)

.....
(address of employer)

4. Paragraphs 7, 10 and 42 of Schedule 2 to Regulation 533 of Revised Regulations of Ontario, 1960 are revoked and the following substituted therefor:

Two instalments, each in the amount of \$250, have been paid off the principal.

7. What does the Act require before a broker or salesman may trade in real estate located in a subdivision outside Ontario? (See section 54b of the Act).

The interest on the mortgage has been paid by the vendor to June 1st, 1964. The broker secures a purchaser and the vendor agrees to sell for \$13,500. The date of closing is June 30th, 1964.

10. Is it compulsory for a broker and a salesman to notify the Registrar in writing within 5 days of any change in his address for service or the termination of employment of a salesman? (See section 11 of the Act).

- i. What is the amount of commission in dollars, due to the broker?
- ii. What is the amount of interest owing to the purchaser by the vendor as at the date of closing?

42. The owner employs a registered broker to sell his farm and gives an agreement in writing to pay to the broker a commission of 5 per cent of the selling price.

- iii. Assuming that the vendor has paid the annual taxes of \$110 in full for the year ending December 31st, 1964, what is the amount of adjustment or allowance with relation to taxes due to the vendor by the purchaser as at the date of closing?

There is a mortgage on the farm dated June 1st, 1962 in the amount of \$2000 bearing interest at 6 per cent per annum, which mortgage will be assumed by the purchaser.

(1576)

49

THE MINING ACT

O. Reg. 313/64.
 Dredging Leases.
 Made—November 10th, 1964.
 Filed—November 24th, 1964.

**REGULATION MADE UNDER
 THE MINING ACT**

1. Regulation 439 of Revised Regulations of Ontario, 1960 is revoked.

(1577) 49

THE INDUSTRIAL STANDARDS ACT

O. Reg. 314/64.
 Designation of Industries and Zones.
 Made—November 23rd, 1964.
 Filed—November 25th, 1964.

**REGULATION MADE UNDER
 THE INDUSTRIAL STANDARDS ACT**

1. Paragraph 28 of Appendix A to Regulation 244 of Revised Regulations of Ontario, 1960 is revoked and the following substituted therefor:

WINDSOR ZONE

28. The City of Windsor and the suburban area adjacent thereto and lying within a line drawn as follows: Commencing where the high-water mark of the southeasterly bank of the Detroit River meets the line between the townships of Anderdon and Sandwich West; thence easterly along the line between the said townships to the southeasterly limit of County Road No. 2; thence northeasterly and northerly along the southeasterly and easterly limits of County Road No. 2, to the southerly limit of the road allowance between lots 12 and 13, Concession 2, in the Township of Sandwich West; thence easterly along the southerly limit of the said road allowance and its production easterly, to the easterly limit of the road allowance between concessions 3 and 4, in the Township of Sandwich West; thence northerly along the easterly limit of the said road allowance to the south-westerly limit of Huron Church Line Road; thence southeasterly along the southwesterly limit of Huron Church Line Road to the southerly limit of the road allowance between concessions 6 and 7, in the Township of Sandwich West; thence northeasterly along the southeasterly limit of the said road allowance to the easterly limit of the road allowance between the townships of Sandwich West and Sandwich South; thence northerly along the easterly limit of the said road allowance to the southerly limit of the road allowance between Concession South of Talbot Road West and concessions 5 and 6, in the Township of Sandwich South; thence easterly along the southerly limit of the said road allowance to the easterly limit of a public road opened by township By-law No. 10 in Lot 302 in each of concessions South and North of Talbot Road West, in the Township of Sandwich South; thence northerly along the easterly limit of the said public road to the easterly limit of the road allowance between concessions 7 and 8, in the Township of Sandwich South; thence northerly along the easterly limit of the said road allowance to the southerly limit of the road allowance

between lots 16 and 17 in each of concessions 8, 9, 10, 11 and 12 in the Township of Sandwich South; thence easterly along the southerly limit of the said road allowance to the easterly limit of the road allowance between the townships of Sandwich South and Maidstone; thence northerly along the easterly limit of the said road allowance to the southerly limit of King's Highway No. 2; thence easterly along the southerly limit of the said Highway to a public road on the east side of Puce River, known as County Road No. 8; thence northerly along the easterly limit of the said public road to the high-water mark on the southerly shore of Lake St. Clair; thence westerly along the high-water mark on the southerly shore of Lake St. Clair and south-westerly and southerly along the high-water mark on the southeasterly bank of the Detroit River to the place of commencement, together with Peach Island and Grassy Island.

H. L. ROWNTREE,
Minister of Labour.

Dated at Toronto, this 23rd day of November, 1964.

(1588) 49

THE LOCAL ROADS BOARD ACT, 1964

O. Reg. 315/64.
 General.
 Made—November 19th, 1964.
 Filed—November 26th, 1964.

**REGULATION MADE UNDER
 THE LOCAL ROADS BOARD ACT, 1964**

1.—(1) The declaration of office of a person elected or appointed to a board shall be in Form 1.

(2) The declaration of office of a person appointed secretary-treasurer of a board shall be in Form 2.

2. A petition pursuant to subsection 7 of section 7 of the Act shall be in Form 3.

Form 1

The Local Roads Board Act, 1964

TRUSTEE'S DECLARATION OF OFFICE

I, do hereby declare that I am of the full age of twenty-one years,

a Canadian citizen and the owner of Lot, in

Concession, of the Township of

....., in respect of which no taxes of a preceding year or years payable under *The Local Roads Board Act, 1964* are in arrears, and I do hereby promise and declare that I will truly, faithfully, and impartially to the best of my knowledge and ability, execute the office of Trustee of the Local Roads Board

for the.....Local Roads Area, and that I have not received and I will not receive any payment or reward, or promise thereof for the exercise of any partiality or malversation or other undue execution of the said office.

IN WITNESS WHEREOF I have hereunto subscribed my name this.....day of....., 19.....

Signed by the above named } in the presence of: }

Form 2

The Local Roads Board Act, 1964

DECLARATION OF SECRETARY-TREASURER

I,..... do hereby declare that I am of the full age of twenty-one years, a Canadian citizen and the owner of Lot....., in Concession....., of the Township of....., in respect of which no taxes of a preceding year or years payable under The Local Roads Board Act, 1964 are in arrears, and I do hereby promise and declare that I will truly, faithfully and impartially to the best of my knowledge and ability, execute the office of Secretary-Treasurer of the Local Roads Board for the..... Local Roads Area, and that I have not received and I will not receive any payment or reward, or promise thereof for the exercise of any partiality or malversation or other undue execution of the said office.

IN WITNESS WHEREOF I have hereunto subscribed my name this.....day of....., 19.....

Signed by the above named } in the presence of: }

Form 3

The Local Roads Board Act, 1964

PETITION

To the Honourable, The Minister of Highways:

WHEREAS at a meeting held and conducted pursuant to section 7 of The Local Roads Board Act, 1964, on the....day of....., 19....., the majority of the owners of land in the proposed Local Roads Area voted in favour of the establishment of a Local Roads Area bounded by (or composed of)

..... and including the following local roads within that area, namely:

..... AND WHEREAS at the said meeting the said owners elected the following of their number to be trustees of the Board, namely:

..... and the undersigned was elected secretary of the meeting.

NOW THEREFORE, the undersigned on behalf of the said owners hereby respectfully requests The Honourable, The Minister of Highways to establish the proposed Local Roads Area as a Local Roads Area under The Local Roads Board Act, 1964, and to designate that the above-noted local roads be included therein.

Dated at....., this....day of....., 19.....

Secretary

(1592)

49



Publications Under The Regulations Act

December 12th, 1964

THE HIGHWAY TRAFFIC ACT

O. Reg. 316/64.

Signs.

Made—November 26th, 1964.

Filed—November 27th, 1964.

REGULATION MADE UNDER THE HIGHWAY TRAFFIC ACT

1. Regulation 231 of Revised Regulations of Ontario, 1960, as amended by Ontario Regulations 303/61, 29/62, 181/63, 325/63 and 140/64, is further amended by adding thereto the following section:

TURN SIGNS

12b.—(1) In addition to any other information,

- (a) a sign indicating that a left turn is prohibited shall bear the words "no left turn";
- (b) a sign indicating that a right turn is prohibited shall bear the words "no right turn";
- (c) a sign indicating that a U-turn is prohibited shall bear the words "no U-turn"; and
- (d) a sign indicating that traffic shall not enter a roadway shall bear the words "do not enter",

in white retro-reflective letters not less than four inches in height on a black background or in black letters not less than four inches in height on a white retro-reflective background.

(2) A sign referred to in this section,

- (a) shall be rectangular in shape and shall be not less than twenty-four inches in height and not less than eighteen inches in width; and
- (b) shall be erected,
 - (i) not more than twelve feet from the roadway upon which the traffic approaching the sign is travelling,
 - (ii) subject to subsections 3 and 4, so that the bottom edge of the sign is not less than six feet and not more than eight feet above the level of the roadway,
 - (iii) in the case of a sign referred to in clause *a* or *b* of subsection 1, on the right side of the highway, facing approaching traffic,
 - (iv) in the case of a sign referred to in clause *c* of subsection 1 on the right side of the highway, facing approaching traffic except where the highway is divided by a median in which case the sign may be erected on the right side of the median, facing approaching traffic, and

(v) in the case of a sign referred to in clause *d* of subsection 1, on the left side of the highway, facing approaching traffic.

- (3) Where a sign referred to in this section is erected on a signal-light traffic control system it shall be erected so that the bottom edge of the sign is not less than nine feet above the level of the roadway.
- (4) Where a sign referred to in this section is erected at an intersection it shall be placed to the side of the intersecting roadway that is remote from traffic as it approaches.
- (5) This section applies to signs erected on the King's Highway.

2. Section 15 of Regulation 231 of Revised Regulations of Ontario, 1960, as remade by section 1 of Ontario Regulation 181/63, is revoked and the following substituted therefor:

- 15. Where conditions at an intersection make it impracticable to place a sign in accordance with the requirements of section 7, 8 or 9, or clauses *c* and *d* of subsection 1 or clause *c* of subsection 2 of section 11, or section 12 or subsection 4 of section 12b or section 13, the sign shall be placed so as to comply as nearly as possible with those requirements.

(1617)

50

THE LOGGERS' SAFETY ACT, 1962-63

O. Reg. 317/64.

General.

Made—November 26th, 1964.

Filed—November 30th, 1964.

REGULATION MADE UNDER THE LOGGERS' SAFETY ACT, 1962-63

INTERPRETATION

1. In this Regulation,

- (a) "bucking" means the act of sawing a tree that is felled;
- (b) "darkness" means the period of time between one-half hour after sunset and one-half hour before sunrise;
- (c) "haul road" means a road, other than a highway as defined in *The Highway Traffic Act*, on which logs are transported;
- (d) "life-jacket" means a standard life-jacket or a small vessel life-jacket that complies with the Small Vessel Regulations made under the *Canada Shipping Act*;
- (e) "local officer" means the officer employed in the administrative region or district of the Department of Lands and Forests;
- (f) "lodged tree" means a tree that has not fallen to the ground after being,

- (i) partly or wholly separated from its stump, or
- (ii) displaced from its natural position;
- (g) "log" includes a piece of pulpwood, pit prop, pole, post, tie or any similar product;
- (h) "safety hat" means a hat manufactured for the purpose of protecting a person's head from flying or falling objects;
- (i) "snag" means any material or object that may interfere with the safe movement of a tree or log or that may endanger a logger or equipment;
- (j) "stakes" mean posts of wood or metal used to support logs and prevent the lateral movement of the logs;
- (k) "tractor" means self-propelled equipment used to provide tractive power.

GENERAL

2. This Regulation does not apply to the felling or trimming of trees for horticultural or aesthetic purposes.

3. In applying this Regulation,

- (a) the composition of the material of an object; and
- (b) the size and arrangement of the material of an object,

may vary from that prescribed, but only to the extent that the local officer is satisfied that the strength of the object and the safety of its use by loggers is equal to or greater than the strength and safety as prescribed.

4.—(1) No logging shall be performed unless the operator files with the local officer a notice in Form 1.

(2) Where logging extends beyond the 31st day of March next following the date of the notice in Form 1, the operator shall file with the local officer on or before the first day of April next following that 31st day of March a further notice in Form 1.

5. Every operator shall appoint one or more competent persons to be known as the supervisor or supervisors.

6. Every operator shall,

- (a) post on a building used by all his loggers, or where there is no such building, in a sheltered place frequented by the loggers, a notice containing the name, address and telephone number of the local officer;
- (b) provide adequate artificial light in logging camps and work-sites during darkness;
- (c) ensure that the handling, use and storage of explosive materials is in accordance with sections 211 to 257 of *The Mining Act*;
- (d) ensure that during periods of use cranes, booms, gin poles and similar equipment are inspected at least once a day and that any defects therein are reported to him;
- (e) ensure that any platform on which a logger stands during the loading of logs has a surface that provides firm footing for the logger; and
- (f) ensure that trails are kept clear of obstructions and, within a logging camp, icy pathways are sanded to prevent slipping and injury to loggers using them.

7. No logger shall climb or work under a lodged tree.

8. No logger shall engage or be permitted to engage in logging where he might be endangered by flying or falling objects unless he is wearing a safety hat.

9. No logger shall place or leave any equipment or device used in logging in a manner that might endanger his safety or that of any other logger.

HAUL ROADS

10.—(1) Every operator shall ensure that,

- (a) every haul road, bridge and log dump is constructed and maintained so as to ensure the safe operation of vehicles;
- (b) curbs of a height of not less than six inches are securely installed and maintained on every bridge on a haul road;
- (c) by-passes or turnout spaces sufficient to permit vehicles to pass safely are constructed and maintained on a haul road; and
- (d) signs providing adequate warning of a bridge, cross-road, curve or steep grade are erected and maintained on a haul road.

(2) No logger shall operate a truck used in logging or any other vehicle on a haul road at a rate of speed in excess of the rate of speed at which he can bring the truck or vehicle to a complete stop within a distance of one-half of the length of his unobstructed view of the haul road.

FELLING AND BUCKING

11. An operator shall ensure that,

- (a) where a tree is being felled, no logger enters or works in the area of the felling unless he is engaged in the felling operation; and
- (b) except where a greater hazard is created by so doing, dead, broken or rotted limbs or trees that are a hazard to loggers in the vicinity of a work-site are felled or lowered safely to the ground before a live or sound tree is felled.

12. A logger shall,

- (a) before felling a tree, cut and clear away snags;
- (b) not start felling a tree until all other loggers are clear of danger;
- (c) when a tree that he is felling starts to fall, stand clear of the tree;
- (d) when felling a tree, give adequate vocal or other warning to all loggers in the vicinity; and
- (e) not use a saw for bucking until all material and objects are cleared from the travel of the saw.

POWER SAWS

13. Every power saw shall be maintained in a safe working condition by the logger using the saw.

14. When starting a power saw, a logger shall hold it on the ground or on a solid object below his waist level and shall not brace it against any part of his body.

15. A power saw shall not be fuelled when it is at a temperature that might result in ignition of the fuel during or after fuelling.

16. The chain or blade of a power saw shall be stopped when the power saw is not cutting.

17. No logger shall operate a power saw above the level of his shoulders.

18. No logger shall insert a cutting chain in the guide rail groove of a power saw unless the motor of the power saw is stopped.

19. A safety-type container shall be used for fuelling a power saw.

20. When operating a power saw, a logger shall have a fire extinguisher readily available.

SKIDDING, LOADING, UNLOADING AND YARDING

21. When loading or unloading logs, a logger shall stand at one end of the logs.

22. Subject to *The Crown Timber Act* and the regulations made thereunder, adequate space shall be cleared of snags and trees at a landing, log dump or loading area.

23. When skidding a log on a down-grade, a logger shall not use tongs but shall use a chain or cable.

24. When skidding a log, a logger shall not raise the log to a height that might endanger the driver of a vehicle moving the log or that might cause a vehicle to up-end or overturn.

25. No logger shall remain at an unsafe distance from a cable or chain that is being tightened or that is under tension.

26. No logger shall engage in the loading or unloading of logs unless he has an unobstructed view of the landing and of the vehicle being loaded or unloaded.

VEHICLES

27. No logger shall operate a vehicle on a haul road or work-site during darkness unless the vehicle is carrying in a conspicuous position adequate lighted lamps.

28. The rear window of the cab of a truck used in logging shall have a guard adequate to safely protect the occupants of the cab from a shifting load.

29. A dump box, bulldozer blade or any other mechanically-operated attachment to a vehicle shall be securely blocked when it is elevated for repairs or greasing and when not in use shall be lowered to a safe rest position.

30.—(1) Every vehicle equipped to lift a load above the driver's head when he is sitting in the proper seat and every tractor or other vehicle, except a truck, used to move trees or logs shall be equipped with a steel canopy adequate to ensure the driver's protection from falling or flying objects or if the vehicle overturns.

(2) The steel supports and plate or other roof of a canopy mentioned in subsection 1 shall be installed by welding.

(3) A canopy mentioned in subsection 1 shall be supported by not less than four posts.

31. A winch on a vehicle or machine shall have a guard adequate to safely protect the logger operating the vehicle or machine from flying cables, hooks or other objects.

32. No logger shall ride on a tractor or similar vehicle except in the seat provided for the purpose.

33. The owner of a vehicle used in logging shall ensure that,

(a) the controls are located so that the driver has an unobstructed view of any logging being performed; and

(b) the vehicle is in good repair and a safe operating condition.

34. The driver of a vehicle used in logging shall test the brakes of the vehicle at the place of loading immediately before driving the vehicle from that place.

35. A tractor or other vehicle shall be started or operated only by a person authorized by the owner or operator.

36. An operator shall ensure that a truck or vehicle used for the hauling of logs shall be equipped with a substantial bulkhead installed immediately behind the cab that is at least three inches higher and six inches wider than the cab and so constructed as to be capable of resisting safely any impact or load to which it might be subjected.

37. A vehicle used in logging shall be so loaded and the load so secured as to prevent the dislodging or falling of the load or any part thereof during transit.

38. Except when acting under the direct orders of the supervisor, no logger shall remain in the cab of a vehicle while the vehicle is being loaded or unloaded.

39. Except in a case of emergency, not more than two persons shall occupy the cab of a truck used in logging.

40. Except when authorized by the supervisor, no person shall ride on logs or other material loaded on a vehicle.

41. Where a loaded truck used in logging is driven on a haul road, the driver,

(a) shall not follow another vehicle more closely than is reasonable and prudent having due regard for the speed of his vehicle and the traffic on and the condition of the haul road; or

(b) when meeting or overtaking another vehicle, shall pass the other vehicle with caution.

42. The owner of a truck or trailer used for hauling logs and designed to unload the logs by means of the release of stakes shall ensure that the stakes of the truck or trailer cannot be released except by a safe tripping device that can be operated only from a safe location.

43. Where logs are being loaded on or unloaded from a vehicle, no logger shall be on or near the side of the vehicle that is opposite the side from which the vehicle is being loaded or unloaded.

44. No logger shall be in or under the path of travel of any log or material that is being loaded or unloaded.

TRANSPORTATION OF WORKMEN

45. Where a vehicle is used to transport loggers, the operator shall ensure that the part of the vehicle in which the loggers are transported,

(a) is enclosed and has adequate seating for the loggers;

(b) has adequate, safe interior lighting;

(c) has adequate, safe heat and ventilation;

(d) has a signal device that provides communication between the loggers and the driver; and

(e) is equipped with adequate racks to securely hold in place saws, axes and other tools being transported and that the saws, axes and other tools are placed in the racks.

46. Where loggers are being transported in a vehicle, flammable liquids shall not be transported,

- (a) in the enclosed part of the vehicle in which the loggers are being transported; or
- (b) on the vehicle except in safety-type containers.

MACHINERY

47. In a machine shop, blacksmith shop, garage or similar shop used as a part of logging and to which *The Industrial Safety Act, 1964* and the regulations made thereunder do not apply, or in any other part of logging, the operator shall,

- (a) provide on every power-driven machine a readily accessible emergency stopping device;
- (b) provide over every power-driven grinding wheel, buffing wheel or cutting wheel a guard that protects the logger operating the machine from flying particles and that has an adequate transparent vision panel;
- (c) ensure that a grinding wheel or similar wheel is not operated at a speed in excess of the speed recommended in writing by the manufacturer;
- (d) where a logger might be exposed to eye injury,

- (i) due to flying particles,
- (ii) from hazardous substances, or
- (iii) from harmful light or other rays,

provide him with a screen, clear or coloured glasses, as appropriate, or other suitable device manufactured for the purpose of protecting persons from such injury; and

(e) ensure that all exterior moving parts of machinery with which a logger might come into contact are effectively guarded to protect the logger from injury.

48. A logger shall,

- (a) wear close-fitting, fastened clothing when working near moving machinery;
- (b) not shift a belt by hand when a machine is in motion;
- (c) not apply belt dressing to a part of a belt,
 - (i) that is less than three feet from a pulley, or
 - (ii) that is moving toward the pulley nearest to the logger;
- (d) not lubricate, clean or repair a machine when it is in motion, unless the machine is so designed and located that lubrication, cleaning or repairing can be done safely when the machine is in motion;
- (e) not use any part of his body for removing an object lodged in a sheave or moving part of a machine;
- (f) not set the tool-rest of a grinding wheel more than one-eighth of an inch distant from the wheel; and

(g) not make an adjustment on a grinding wheel, buffing wheel or cutting wheel when the wheel is in motion.

WORKING OVER WATER

49. Where there is water into which a logger might fall with risk of drowning, the operator shall,

- (a) provide and ensure that the logger wears a life-jacket in the manner recommended by the manufacturer, unless other adequate means of protection are provided;
- (b) ensure that there is readily accessible for rescue purposes a boat in seaworthy condition and, in addition to the equipment required by Part IV of the Small Vessel Regulations made under the *Canada Shipping Act*, equipped with a pike pole at least six feet in length; and
- (c) ensure that there is readily available at least one person who is trained and competent to perform any necessary rescue operation when an alarm signal is given.

Form 1

The Loggers' Safety Act, 1962-63

NOTICE OF LOGGING

1. I,
(Name of Operator)

of
(Post Office Address)

hereby give notice that I propose to carry on logging on the land described as follows:

.....
.....

2. The locations of logging camps are:
.....
.....

3. The number of men to be employed is.....

4. The probable date of starting is.....

5. The probable duration of the operation is.....

6. The supervisor in charge of the operation is:
.....

Dated at.....

this.....day of....., 19.....

.....
(Signature of Operator)

**THE DEPARTMENT OF MUNICIPAL AFFAIRS
ACT**

O. Reg. 318/64.
Tax Arrears Procedures and Tax Sales
Procedures, Village of Frankford.
Made—November 30th, 1964.
Filed—December 3rd, 1964.

**REGULATION MADE UNDER
THE DEPARTMENT OF MUNICIPAL AFFAIRS
ACT**

**TAX ARREARS PROCEDURES AND TAX SALES PROCEDURES,
VILLAGE OF FRANKFORD**

1. The tax arrears procedures of the Act shall apply and the tax sales procedures of *The Assessment Act*, *The Public Schools Act* and *The Secondary Schools Act* shall not apply to the Village of Frankford in the County of Hastings.

J. W. SPOONER,
Minister of Municipal Affairs.

Dated at Toronto, this 30th day of November, 1964.

(1629) 50

**THE PENAL AND REFORM INSTITUTIONS
INSPECTION ACT**

O. Reg. 319/64.
Conduct Record in Reformatories.
Made—November 26th, 1964.
Filed—December 3rd, 1964.

**REGULATION MADE UNDER
THE PENAL AND REFORM INSTITUTIONS
INSPECTION ACT**

1. Regulation 478 of Revised Regulations of Ontario, 1960 is amended by adding thereto the following section:

2. The jailer of a jail named in column 1 of the Schedule shall keep a record in Form 1 of the daily conduct of each prisoner in his charge in that part of the jail referred to in column 2.

2. Regulation 478 of Revised Regulations of Ontario, 1960 is amended by adding thereto the following Schedule:

Schedule

COLUMN 1	COLUMN 2
District Jail, Sault Ste. Marie	McCreight's Camp, Thessalon

3. This Regulation comes into force on the 1st day of February, 1965.

(1630) 50

THE HIGHWAY IMPROVEMENT ACT

O. Reg. 320/64.
Designations—Trans-Canada Highway—
Orillia to Quebec Boundary.
Made—November 26th, 1964.
Filed—December 4th, 1964.

**REGULATION MADE UNDER
THE HIGHWAY IMPROVEMENT ACT**

1. Regulation 219 of Revised Regulations of Ontario, 1960, as amended by Ontario Regulations 180/61, 285/61, 360/61, 386/61, 40/62, 151/62, 181/62, 113/63, 175/63 and 194/64, is further amended by adding thereto the following Schedule:

Schedule 7b

In the Township of Otonabee in the County of Peterborough being,

- (a) part of Lot 26 in each of concessions 3, 4, 5, 6 and 9;
- (b) part of Lot 27 in each of concessions 3 to 9, both inclusive;
- (c) part of the road allowance between,
 - (i) lots 26 and 27 in each of concessions 3, 4, 5, 6 and 9,
 - (ii) concessions 3 and 4,
 - (iii) concessions 4 and 5,
 - (iv) concessions 5 and 6,
 - (v) concessions 6 and 7,
 - (vi) concessions 7 and 8; and
 - (vii) concessions 8 and 9; and
- (d) part of,
 - (i) lots 2, 3 and 4, and
 - (ii) Block C,
 registered plan 28,

and being that portion of the King's Highway shown outlined on Department of Highways plan P-1789-85, registered in the registry office for the registry division of the County of Peterborough as No. 144918 for the Township of Otonabee.

5.60 miles, more or less.

(1631) 50



Publications Under The Regulations Act

December 19th, 1964

THE PENSION BENEFITS ACT, 1962-63

O. Reg. 321/64.

General.

Made—December 3rd, 1964.

Filed—December 9th, 1964.

REGULATION MADE UNDER THE PENSION BENEFITS ACT, 1962-63

1. Ontario Regulation 201/64 is amended by adding thereto the following section:

16. A profit-sharing pension plan that is accepted for registration by the Minister of National Revenue for Canada before the 1st day of January, 1965, under the *Income Tax Act* (Canada) and that provides that each member may take his entire interest in the plan in a cash sum when he ceases to be an employee whether by retirement or by other termination of employment may, with the approval of the Commission, be exempted from the Act and the regulations.

(1655)

51

THE CONSERVATION AUTHORITIES ACT

O. Reg. 322/64.

Fill and Construction.

Made—July 31st, 1964.

Approved—December 10th, 1964.

Filed—December 10th, 1964.

REGULATION MADE UNDER THE CONSERVATION AUTHORITIES ACT

FILL AND CONSTRUCTION

1. In this Regulation,

- (a) "Authority" means the Upper Thames River Conservation Authority;
- (b) "building or structure" means building or structure of any kind;
- (c) "fill" means fill of any kind.

2. The areas defined in the Schedule are designated as areas in which in the opinion of the Authority the control of flooding or pollution or the conservation of land may be affected by the placing or dumping of fill.

3. Subject to section 4, no person shall,

- (a) construct any building or structure or permit any building or structure to be constructed in or on a pond or swamp or in any area below the high-water mark of a lake, river, creek or stream; or
- (b) place or dump fill or permit fill to be placed or dumped in the area designated in the Schedule.

4. Subject to *The Ontario Water Resources Commission Act* or to any private interest, the Authority may permit in writing the construction of any building or structure or the placing or dumping of fill in any area to which section 3 applies if, in the opinion of the Authority, the site of the building or structure or dumping and the method of the construction or dumping would not affect the control of flooding or pollution or the conservation of the land.

5. No person shall begin to construct any building or structure or dump or place fill in any area to which section 3 applies before the permission required by section 4 has been obtained.

6.—(1) A signed application for permission to construct a building or structure shall be filed with the Authority and shall include,

- (a) four copies of a plan of the property showing the proposed location of the building or structure, its elevation, and the proposed final grade plan;
- (b) four copies of a complete description of the type of building or structure to be constructed, including drainage details;
- (c) four copies of a statement of the dates between which the construction will be carried out; and
- (d) four copies of a statement of the proposed use of the building or structure following completion of the construction.

(2) A signed application for permission to place or dump fill shall be filed with the Authority and shall include,

- (a) four copies of a plan of the property on which the fill is to be placed, showing the proposed location of filling, the depth to which it is proposed to fill, and the proposed final grade of the land when filling is completed;
- (b) four copies of a complete description of the type of fill proposed to be placed or dumped;
- (c) four copies of a statement of the dates between which the placing or dumping will be carried out; and
- (d) four copies of a statement of the proposed use of the land following completion of placing or dumping.

7. The Authority may, at any time, withdraw any permission given under section 4 if, in the opinion of the Authority, the representations contained in the application for the permission are not carried out.

8. Ontario Regulation 139/61 is revoked.

Schedule

That part of the watershed of the Thames River in the County of Middlesex extending upstream from the northwesterly corner of the City of London, adjacent to Lot 28 in Concession 2 of the Township of London to,

- (a) the Fanshawe Dam on the north branch of the River Thames, in Lot 3 in concessions III and IV in the Township of London; and
- (b) the road forming the boundary between the Township of Westminster and the Township of Dorchester North at the bridge crossing the south branch of the River Thames,

as shown on maps filed in the office of the Registrar of Regulations at Toronto, Nos. 560 to 593, both inclusive.

(1657)

51

Publications Under The Regulations Act

December 26th, 1964

THE ONTARIO ENERGY BOARD ACT, 1964

O. Reg. 323/64.

General.

Made—December 10th, 1964.

Filed—December 11th, 1964.

NOTE: *This Regulation does not come into operation until The Ontario Energy Board Act, 1964 is proclaimed in force.*

See R.S.O. 1960, c. 191, s. 5.

REGULATION MADE UNDER THE ONTARIO ENERGY BOARD ACT, 1964

GENERAL

FEES

1.—(1) The fee payable on filing an application in a proceeding before the Board under the Act or any other Act is \$25, but where the application is made under section 40 of the Act and is withdrawn before the hearing of such application the applicant is entitled to a refund of \$15.

(2) The fees payable for certified copies of documents are,

- (a) for each certificate, 50 cents; and
- (b) for each 100 words of the document, 15 cents with a minimum fee of 50 cents.

FREE GAS OR REDUCED CHARGE

2.—(1) No person shall furnish or supply any gas without charge or at a reduced rate under any agreement for which the supplying of gas without charge or at a reduced rate is a consideration.

(2) Subsection 1 does not apply to any agreement or renewal thereof made before the 1st day of January, 1955.

3.—(1) The board of arbitration referred to in subsection 3 of section 21 of the Act shall consist of not fewer than three and not more than five members as the Lieutenant Governor in Council may from time to time determine.

(2) The members of the board of arbitration shall be appointed by the Lieutenant Governor in Council and one of them shall be designated chairman.

(3) Vacancies in the membership of the board of arbitration caused by death, resignation or otherwise may be filled by the Lieutenant Governor in Council.

(4) Two members of the board of arbitration form a quorum and are sufficient for the exercise of all the jurisdiction and powers of the board of arbitration whether or not a vacancy in the membership of the board of arbitration exists.

(5) The board of arbitration shall proceed in a summary manner and the rules of procedure of the Ontario Energy Board apply to an arbitration under section 21 of the Act.

EXEMPTIONS

4. Any person who sells, transmits, distributes or stores liquefied petroleum gas is exempt from section 19 of the Act in respect of such sale, transmission, distribution or storage.

FORMS

5.—(1) The authorization of the chairman of the Board required by section 51 of the Act shall be in Form 1.

(2) The permission of the Minister to lay an information under section 34 or 54 of the Act shall be in Form 2.

6. Regulation 459 of Revised Regulations of Ontario, 1960, except section 4 and the Schedule, and Ontario Regulation 340/62 are revoked.

Form 1

The Ontario Energy Board Act, 1964

1. I,, Chairman of the Ontario Energy Board, hereby give to..... the authority required under section 51 of *The Ontario Energy Board Act, 1964* in respect of.....

2. This authorization expires with the.....day of....., 19....

Dated at Toronto, this.....day of....., 19....

.....
Chairman
Ontario Energy Board

Form 2

The Ontario Energy Board Act, 1964

IN THE MATTER OF PROPOSED SUMMARY PROCEEDINGS AGAINST.....

1. I,, Minister of Energy and Resources Management, hereby give permission to..... to lay an information against..... under section..... of *The Ontario Energy Board Act, 1964*.

2. I give this permission under subsection..... of section..... of the Act.

Dated at Toronto, this.....day of....., 19....

.....
Minister of Energy
and
Resources Management

(1660)

52

THE ONTARIO ENERGY BOARD ACT, 1964

O. Reg. 324/64.

Rules of Procedure.

Made—November 19th, 1964.

Approved—December 10th, 1964.

Filed—December 11th, 1964.

NOTE: *This Regulation does not come into operation until The Ontario Energy Board Act, 1964 is proclaimed in force.*

See R.S.O. 1960, c. 191, s. 5.

REGULATION MADE UNDER
THE ONTARIO ENERGY BOARD ACT, 1964

RULES OF PROCEDURE

1. In this Regulation,

- (a) "file" means file with the Board;
- (b) "respondent" means a person, other than the applicant, named in an application and such other person as the Board directs to be served with a copy of the application.

2.—(1) A proceeding before the Board under the Act or any other Act, other than a reference by the Minister or by requirement of the Lieutenant Governor in Council, shall be commenced by filing an application.

(2) Where the Board requires the preparation of information and material as evidence incidental to an application, such information and material shall be filed with the Board in accordance with the directions and requirements of the Board, but shall not be served on the respondents unless otherwise directed by the Board.

3.—(1) An application shall,

- (a) be filed in duplicate;
- (b) contain a clear and concise statement of the facts, the grounds of application, the provisions of the Act under which it is made, the nature of the order applied for and the relief or remedy to which the applicant claims to be entitled;
- (c) be divided into paragraphs numbered consecutively, each of which is confined as nearly as possible to a distinct portion of the subject;
- (d) where the application affects any other person, contain the name and address of that person, but, on an application to fix rates, it is not necessary to name each of the consumers affected; and
- (e) be endorsed with the name and address of the applicant and of his solicitor if documents are to be served on his solicitor.

(2) The applicant shall serve a true copy of the application upon each respondent in accordance with the direction of the Board.

4.—(1) A respondent who intends to oppose an application shall file an answer to the application within fourteen days after the day on which the application is served upon him.

(2) The answer to an application shall,

- (a) be filed in duplicate;
- (b) contain a clear and concise statement of the grounds upon which the application is opposed; and

- (c) be endorsed with the name and address of the respondent and of his solicitor if documents are to be served on his solicitor.

(3) The respondent shall serve his answer upon the applicant or his solicitor where a solicitor is named in the application on or before the day on which the answer is filed.

5.—(1) The applicant may file a reply to the answer of a respondent within ten days after the day on which the answer is filed.

(2) The reply shall,

- (a) be filed in duplicate;
- (b) be endorsed with the name and address of the applicant and of his solicitor if documents are to be served on his solicitor.

(3) The applicant shall serve his reply to the answer of a respondent upon the respondent or his solicitor where a solicitor is named in the answer on or before the day on which the reply is filed.

6. Sections 4 and 5 do not apply to applications made under sections 37, 38 or 40 of the Act.

7. Where a hearing is to be held, the Board shall serve upon the parties or direct a party to the proceeding to serve upon the other parties a notice of the hearing.

8.—(1) Service of any notice, document or paper may be personal or by registered mail and service may be on the party to the proceeding or on his solicitor where a solicitor is named in the application, answer or reply.

(2) Filing of any notice, document or paper may be by registered mail.

(3) Service or filing by registered mail is deemed to be effected on the day after the date of mailing.

(4) The Board, where in its opinion special circumstances so require, may direct service of any notice, document or paper by publication in a newspaper named in the direction and any such service shall be deemed to be effected on the date of publication.

(5) Where the Board so directs, a notice of hearing shall be published as well as served in the manner set out in the direction of the Board.

9. No proceeding is invalid by reason only of a defect or other irregularity in form.

10.—(1) The Board may, upon such terms as it deems proper, enlarge the time prescribed by this Regulation for doing any act, serving or filing any notice, document or paper or taking any proceeding and may exercise the power although application therefor is not made until after the expiration of the time prescribed.

(2) Where the Board is satisfied that it is necessary or convenient in the public interest, it may, upon such terms and conditions as it deems proper, abridge the time prescribed by this Regulation for doing any act, serving or filing any notice, document or paper or taking any proceeding.

11. A summons to a witness shall be in Form 1.

12. Regulation 460 of Revised Regulations of Ontario, 1960 is revoked.

ONTARIO ENERGY BOARD:
A. R. CROZIER
E. A. ALLCUT
L. R. MAC TAVISH
D. M. TREADGOLD

Dated this 19th day of November, 1964.

Form 1

The Ontario Energy Board Act, 1964

SUMMONS TO A WITNESS

Before the Ontario Energy Board

IN THE MATTER OF.....

To:

You are summoned and required to attend before the Ontario Energy Board at a hearing to be held at in the of on day, the day of, 19.... at the hour of o'clock in the noon, and so from day to day until the hearing is concluded, to give evidence on oath touching the matters in question in the proceedings and to bring with you and produce at the time and place.....

Dated this day of, 19....

ONTARIO ENERGY BOARD:

(1661)

52

THE ENERGY ACT, 1964

O. Reg. 325/64.
Transmission and Distribution.
Made—December 10th, 1964.
Filed—December 11th, 1964.

NOTE: This Regulation does not come into operation until The Energy Act, 1964 is proclaimed in force. See R.S.O. 1960, c. 191, s. 5.

REGULATION MADE UNDER THE ENERGY ACT, 1964

TRANSMISSION AND DISTRIBUTION

INTERPRETATION

1. In this Regulation,

- (a) "gas fitter" means the holder of a certificate of registration in Form 309;
- (b) "LPG fitter Class I" means the holder of a certificate of registration in Form 310;
- (c) "LPG fitter Class II" means the holder of a certificate of registration in Form 311;
- (d) "maintenance gas fitter" means the holder of a certificate of registration in Form 312;
- (e) "service gas fitter" means the holder of a certificate of registration in Form 313;
- (f) "pipe line inspector" means the holder of a certificate of registration in Form 314.

LICENCES

2.—(1) An application for a licence to transmit natural or manufactured gas shall be in Form 201.

(2) A licence to transmit natural or manufactured gas shall be in Form 202.

(3) Where the amount of gas transmitted in the year preceding the year for which application for a licence to transmit gas is made,

- (a) did not exceed 500,000,000 cubic feet, the fee payable for the licence is \$100;
- (b) exceeded 500,000,000 cubic feet, the fee payable for the licence is \$250.

3.—(1) An application for a licence to distribute natural or manufactured gas shall be in Form 203.

(2) A licence to distribute natural or manufactured gas shall be in Form 204.

(3) Where the amount of natural or manufactured gas distributed in the year preceding the year for which application for a licence to distribute gas is made,

- (a) did not exceed 500,000 cubic feet, there is no fee payable for the licence;
- (b) exceeded 500,000 cubic feet, but did not exceed 10,000,000 cubic feet, the fee payable for the licence is \$10;
- (c) exceeded 10,000,000 cubic feet, but did not exceed 100,000,000 cubic feet, the fee payable for the licence is \$25;
- (d) exceeded 100,000,000 cubic feet, but did not exceed 500,000,000 cubic feet, the fee payable for the licence is \$100;
- (e) exceeded 500,000,000 cubic feet, the fee payable for the licence is \$250.

4. Every distributor of natural or manufactured gas shall pay an annual fee for inspections during the year of his pipe lines and appliances and the pipe lines and appliances of his consumers in an amount equal to the cost of the inspections.

5. Every person storing, transmitting or distributing gas shall maintain a map or maps of his storage areas and his transmission and distributions systems.

6.—(1) An application for a licence to distribute fuel oil by pipe line shall be in Form 205.

(2) A licence to distribute fuel oil by pipe line shall be in Form 206 and the fee therefor is \$25 for each distribution system or branch.

7.—(1) A person who transmits hydrocarbons other than gas is exempt from clauses *b* and *c* of subsection 1 of section 7 of the Act.

(2) A person who distributes fuel oil other than by pipe line is exempt from clause *e* of subsection 1 of section 7 of the Act.

8.—(1) An application for a licence to distribute liquefied petroleum gas to a consumer shall be in Form 207.

(2) A licence to distribute liquefied petroleum gas to a consumer shall be in Form 208 and the fee therefor is \$20 for each branch or location from which liquefied petroleum gas is distributed.

(3) An application for a quarterly licence to distribute liquefied petroleum gas shall be in Form 209.

(4) A quarterly licence to distribute liquefied petroleum gas shall be in Form 210 and the fee therefor is \$6 for each branch or location from which liquefied petroleum gas is so distributed.

(5) Quarterly licences shall be issued for the following periods:

January 1 — March 31

April 1 — June 30

July 1 — September 30

October 1 — December 31

and shall be valid only for the period stated on the licence.

9.—(1) An application for a licence to transfer liquefied petroleum gas from a pressure vessel to any other pressure vessel shall be in Form 211.

(2) A licence to transfer liquefied petroleum gas from a pressure vessel to any other pressure vessel shall be in Form 212 and the fee therefor is \$55 for each branch or location where liquefied petroleum gas is transferred to pressure vessels.

10. A person who distributes liquefied petroleum gas in or transfers liquefied petroleum gas to a pressure vessel having a capacity of 1 pound of liquefied petroleum gas or less is exempt from clauses *d* and *f* of subsection 1 of section 7 of the Act in respect of such pressure vessel.

11. A person who transmits liquefied petroleum gas is exempt from clause *a* of subsection 1 of section 7 of the Act.

REGISTRATION

12.—(1) Every contractor shall register annually by filing with the Minister an application for registration in Form 301 and paying a registration fee of \$10.

(2) A certificate of registration in Form 302 shall be issued to a contractor who registers under subsection 1.

(3) A registered contractor shall display his certificate of registration in a conspicuous place in his business premises and shall notify the Minister immediately upon any change of his business address.

13.—(1) An application for registration of a person to install, repair, service or remove,

(a) all natural or manufactured gas appliances shall be in Form 303;

(b) any liquefied petroleum gas appliance shall be in Form 304;

(c) liquefied petroleum gas appliances labelled to specifications approved by the Minister for,

(i) use with liquefied petroleum gas only in its vapour state, and

(ii) an input not in excess of 75,000 British thermal units per hour,

shall be in Form 305; or

(d) gas appliances in a commercial or industrial building of his employer shall be in Form 306.

(2) An application for registration of a registered contractor or his employee to repair and service gas appliances shall be in Form 307.

(3) An application for registration of a person to inspect pipe lines shall be in Form 308.

(4) The fee for filing an application under this section, including any examination, is \$5.

14.—(1) The certificate of registration of a person to install, repair, service or remove,

(a) all natural or manufactured gas appliances shall be in Form 309;

(b) any liquefied petroleum gas appliance shall be in Form 310;

(c) liquefied petroleum gas appliances labelled to specifications approved by the Minister for,

(i) use with liquefied petroleum gas only in its vapour state, and

(ii) an input not in excess of 75,000 British thermal units per hour,

shall be in Form 311; or

(d) gas appliances in a commercial or industrial building of his employer shall be in Form 312.

(2) The certificate of registration of a registered contractor to repair and service gas appliances shall be in Form 313.

(3) The certificate of registration of a person to inspect pipe lines shall be in Form 314.

(4) A person who has paid the fee under section 13 and qualifies for registration is exempt from payment of a fee for his certificate of registration for the year for which it is issued.

15.—(1) An application for renewal of a certificate of registration shall be in Form 315 and the fee therefor is \$5, but a person who is a gas fitter and an LPG fitter Class I shall, upon the payment of \$5, be issued a renewed certificate in Form 316.

(2) A person who is registered under section 12 or 14 and who has lost his certificate may apply for a duplicate thereof by filing with the Minister a statutory declaration setting out the reasons for the loss and paying a fee of \$2.

16.—(1) A person who installs, repairs, services or removes a fuel oil appliance is exempt from subsection 4 of section 7 of the Act in respect of such installation, repair, service or removal.

(2) A person who installs, repairs, services or removes his own liquefied petroleum gas appliance in or from his place of residence is exempt from subsection 4 of section 7 of the Act in respect of such installation, repair, service or removal.

(3) A professional engineer qualified to practise in Ontario is exempt from subsection 4 of section 7 of the Act.

(4) A person is exempt from subsection 3 of section 7 of the Act in respect of an appliance he owns.

(5) A person is exempt from subsection 6 of section 7 of the Act while using an appliance only for the purpose of testing or examining the flame.

APPLIANCES

17.—(1) No person shall knowingly supply hydrocarbons by pipe line to or use any appliance if,

- (a) the appliance is inspected under subsection 6 of section 7 of the Act and is found not to comply with the Act or the regulations;
- (b) the products of combustion of the appliance are unsafe; or
- (c) the appliance is installed in a location where flammable vapours or explosive mixtures are present.

(2) Where a distributor of hydrocarbons by pipe line finds that,

- (a) an appliance is used for a purpose other than that for which it is designed;
- (b) any device, attachment, alteration or deterioration might in any way impair the combustion within or safe venting of an appliance;
- (c) a non-compliance with the Act or the regulations applying to the venting of an appliance or the supply of air for combustion creates an unsafe condition;
- (d) the operation of an appliance raises the surface temperature of adjacent combustible material excessively; or
- (e) the piping or its installation does not comply with the Act or the regulations,

the distributor shall notify the user of the appliance that the appliance or its installation must be corrected within ten days of the receipt of the notice by the user.

(3) If an appliance or its installation is not corrected within ten days after the receipt of a notice under subsection 2, the distributor shall not supply hydrocarbons to the appliance and no person shall use the appliance until the appliance or its installation is corrected.

(4) No person shall knowingly use an appliance that uses undiluted liquefied petroleum gas as fuel if,

- (a) the products of combustion of the appliance are unsafe;
- (b) the appliance is installed in a location where flammable vapours or explosive mixtures are present; †

(c) the installation of a container does not comply with the Act or the regulations;

(d) the appliance is used for a purpose other than that for which it is designed;

(e) any device, attachment, alteration or deterioration might in any way impair the combustion within or safe venting of the appliance;

(f) any non-compliance with the requirements of the Act or the regulations applying to the venting of the appliance or the supply of air for combustion creates an unsafe condition;

(g) the operation of the appliance raises the surface temperature of adjacent combustible material excessively; or

(h) the piping material does not comply with the Act or the regulations.

18. Every distributor shall inspect at least once every six years all appliances to which it supplies gas or fuel oil by pipe line.

19.—(1) The Canadian Gas Association is designated as an organization to test all gas appliances to specifications approved by the Minister and, where the appliances conform to the specifications, to place its label thereon.

(2) The Canadian Standards Association Testing Laboratories and the Underwriters' Laboratories of Canada are designated as organizations to test gas appliances having an input greater than 400,000 British thermal units per hour, gas appliances of any input used for commercial drying, commercial laundering and steam cleaning, commercial heating incorporating electric driven cooling, and appliances for the use of liquefied petroleum gas only, to specifications approved by the Minister and, where the appliances conform to the specifications, place their label thereon.

(3) The Canadian Standards Association Testing Laboratories and the Underwriters' Laboratories of Canada are designated as organizations to test fuel oil appliances to specifications approved by the Minister and, where the appliances conform to the specifications, place their label thereon.

(4) The Approvals Division of the Canadian Gas Association, the Canadian Standards Association Testing Laboratories and the Underwriters' Laboratories of Canada are designated as organizations to test appliances designed to burn both gas and fuel oil, either together or separately, to specifications approved by the Minister and, where the appliances conform to the specifications, to place their label thereon.

20.—(1) Any person may apply to the Minister for a label in respect of any appliance that does not bear the label of an organization designated under section 19.

(2) The fee for a label issued by the Minister is \$10 for every hour or fraction thereof spent by an inspector in inspecting or in testing the appliance or appliances.

21.—(1) An appliance that has an input of greater than 50,000,000 British thermal units per hour and which has been certified by a professional engineer who is qualified to practise in Ontario to be in compliance with the laws of Ontario is exempt from subsection 2 of section 7 of the Act.

(2) A self-contained liquefied petroleum gas camping appliance or a hand torch is exempt from subsection 2 of section 7 of the Act.

(3) A gas light or a bunsen burner that has an input of less than 3,000 British thermal units per hour is exempt from subsection 2 of section 7 of the Act.

(4) A fuel oil appliance that has an input of greater than 3 United States gallons per hour is exempt from subsection 2 of section 7 of the Act.

STATISTICS

22.—(1) Every person producing, storing, transmitting or distributing gas shall make an annual report in triplicate to the Minister in Form 401.

(2) The report under subsection 1 shall be filed on or before the 1st day of March in each year for the year ending with the 31st day of December of the preceding year.

(3) A licence in Form 202 is issued on condition that if the transmitter fails to make the report required by this section to the Minister by the specified date his licence is suspended until such report is made.

23.—(1) The information in the reports filed under section 22 shall not be released in such form as will disclose the facts recorded in any individual report unless the person who filed the report has consented in writing to the release of such information specifying the form in which such information may be released and the person or class of persons to whom it may be released.

(2) Nothing in this section shall prevent the publication of statistical information by the Minister.

CONSERVATION

24. All hydrocarbons distributed to each consumer by a pipe line shall be measured through a meter.

25. Where a distributor's supply of natural or manufactured gas is not sufficient to supply all the wants of the distributor's consumers, the natural or manufactured gas shall be supplied to the consumers in the following order of preference:

1. For residential purposes.
2. For commercial purposes.
3. For industrial purposes.

ACCIDENT REPORT

26. Every transmitter, distributor and storage company,

(a) shall report to an inspector in person or by telephone or telegraph immediately upon the fact becoming known to him,

(i) any fatality,

(ii) any fire or explosion resulting in property damage estimated to exceed \$250 in amount, and

(iii) any fire or explosion resulting in personal injury requiring medical treatment,

where such fatality, fire or explosion was caused or appears to have been caused directly or indirectly by gas or oil produced, transmitted, distributed or stored by such person;

(b) shall report forthwith to the Minister in writing the information required under clause a; and

(c) shall on the request of the Minister or an inspector, supply such additional information as is required concerning any such fatality, fire or explosion.

GENERAL

27. Licences and permits issued and registrations made, other than licences for a machine for boring or drilling a well, are not transferable from one person to another.

28. Every licence and every certificate of registration expires with the 31st day of December of the year for which it was issued or made, unless the licence or certificate of registration bears a term or condition to the contrary.

29. A tag attached to a work or appliance under section 3 of the Act shall be in Form 601.

30. The permission of the Minister to lay an information under section 9 of the Act shall be in Form 602.

31.—(1) A person who is required under this Regulation to file a record, return or report and fails so to do shall, upon the written demand of the Minister, file the record, return or report within such reasonable time as the Minister stipulates.

(2) A demand under subsection 1 shall be deemed to be made if mailed by registered mail addressed to the last known address of the person upon whom it is being made.

32. Ontario Regulations 156/61, 319/61, 24/62, 83/62, 221/62 and 349/63 are revoked.

Form 201

The Energy Act, 1964

APPLICATION FOR A LICENCE TO TRANSMIT NATURAL OR MANUFACTURED GAS

The undersigned applies to the Department for a licence to transmit natural or manufactured gas and for the purpose of procuring the licence gives the following information:

- 1. Name of Applicant.....
(name under which business conducted)
- 2. Business Address.....County.....
- 3. Name of Company to appear on licence.....
.....
(if same as above, please state)
- 4. Address.....
(if same as above, please state)

The amount of natural or manufactured gas transmitted in the year preceding the year for which application for a licence to transmit gas is made:

- i. Did not exceed 500,000,000 cubic feet
Licence fee is \$100.00.....
- ii. Exceeded 500,000,000 cubic feet
Licence fee is \$250.00.....

I hereby certify that the information given by me in this application is true.

Dated at.....on the.....day of....., 19....

.....
(signature of owner, partner or officer of applicant) (title of signing officer)

Licence Fee.....

Licence No.....

Form 202

The Energy Act, 1964

LICENCE TO TRANSMIT NATURAL OR MANUFACTURED GAS

Under The Energy Act, 1964 and the regulations, and subject to the limitations thereof, this licence is issued to.....
of.....
to transmit natural or manufactured gas.

This licence expires with the 31st day of December, 19....

This licence is not transferable.

Issued at Toronto, this.....day of....., 19....

.....
(Minister of Energy and Resources Management)

For Departmental use only

Form 203

The Energy Act, 1964

APPLICATION FOR A LICENCE TO DISTRIBUTE NATURAL OR MANUFACTURED GAS

The undersigned applies to the Department for a licence to distribute natural or manufactured gas and for the purpose of procuring the licence gives the following information:

- 1. Name of Applicant.....
(name under which business conducted)
- 2. Business Address.....County.....
- 3. Name of Company to appear on licence.....
.....
(if same as above, please state)
- 4. Address.....
(if same as above, please state)
- 5. The amount of natural or manufactured gas distributed in the year preceding the year for which application for a licence to distribute gas is made:
 - i. Did not exceed 500,000 cubic feet, no fee.....
 - ii. Exceeded 500,000 cubic feet but did not exceed 10,000,000 cubic feet
Licence fee is \$10.00.....
 - iii. Exceeded 10,000,000 cubic feet but did not exceed 100,000,000 cubic feet.
Licence fee is \$25.00.....
 - iv. Exceeded 100,000,000 cubic feet but did not exceed 500,000,000 cubic feet.
Licence fee is \$100.00.....
 - v. Exceeded 500,000,000 cubic feet.
Licence fee is \$250.00.....

I hereby certify that the information given by me in this application is true.

Dated at.....on the.....day of....., 19....

(signature of owner, partner or officer of applicant)

(title of signing officer)

Licence Fee.....

Licence No.....

Form 204

The Energy Act, 1964

LICENCE TO DISTRIBUTE NATURAL OR MANUFACTURED GAS

Under The Energy Act, 1964 and the regulations, and subject to the limitations thereof, this licence is issued to.....
of.....
to distribute natural or manufactured gas.

This licence expires with the 31st day of December, 19...

This licence is not transferable.

Issued at Toronto, this.....day of....., 19....

(Minister of Energy and Resources Management)

For Departmental use only

Form 205

The Energy Act, 1964

APPLICATION FOR A LICENCE TO DISTRIBUTE FUEL OIL BY PIPE LINE

The undersigned applies for a licence to distribute fuel oil by pipe line.

- 1. Name of Applicant.....
(name under which business conducted)
- 2. Business Address..... County.....
- 3. Business Telephone Number.....
- 4. If the applicant is a partnership set out the name, address of each partner below:

Name in Full	Residence Address	City or Town
.....
.....
- 5. If applicant is an incorporated company, set out the names and residence addresses of officers of the company.
.....
- 6. Address of each branch or pipe line distribution system of applicant (attach separate list, if necessary).
.....

I hereby certify that the information given by me in this application is true.

Dated at.....on the.....day of....., 19....

(signature of owner, partner or officer of applicant)

(title of signing officer)

Annual Fee: \$25.00 for each branch or pipe line distribution system.

Licence No.....

Form 206

The Energy Act, 1964

LICENCE TO DISTRIBUTE FUEL OIL BY PIPE LINE

Under The Energy Act, 1964 and the regulations, and subject to the limitations thereof, this licence is issued to..... of..... to distribute fuel oil by pipe line.

This licence expires with the 31st day of December, 19....

This licence is not transferable.

Issued at Toronto, this.....day of....., 19....

(Minister of Energy and Resources Management)

For Departmental use only

Form 207

The Energy Act, 1964

APPLICATION FOR A LICENCE TO DISTRIBUTE LIQUEFIED PETROLEUM GAS

The undersigned applies for a licence to distribute liquefied petroleum gas to a consumer.

- 1. Name of Applicant.....
(name under which business conducted)
- 2. Business Address..... County.....
- 3. Business Telephone Number.....
- 4. If the applicant is a partnership set out the name, address of each partner below:

Name in Full	Residence Address	City or Town
.....
.....
- 5. If applicant is an incorporated company, set out the names and residence addresses of officers of the company.
.....
.....
.....
- 6. Address of each branch of applicant (attach separate list, if necessary).
.....
.....
.....

I hereby certify that the information given by me in this application is true.

Dated at..... on the..... day of....., 19....

.....
(signature of owner, partner or officer of applicant) (title of signing officer)

NOTE: The annual fee for this licence is \$20.00 for each branch or location from which LP-GAS is distributed to a consumer.

Licence No.....

Form 208

The Energy Act, 1964

LICENCE TO DISTRIBUTE LIQUEFIED PETROLEUM GAS

Under The Energy Act, 1964 and the regulations, and subject to the limitations thereof, this licence is issued to..... of..... to distribute liquefied petroleum gas.

This licence expires with the 31st day of December, 19....

This licence is not transferable.

Issued at Toronto, this..... day of....., 19....

.....
(Minister of Energy and Resources Management)

For Departmental use only

Form 209

The Energy Act, 1964

APPLICATION FOR A QUARTERLY LICENCE TO DISTRIBUTE LIQUEFIED PETROLEUM GAS

The undersigned applies for a licence to distribute liquefied petroleum gas.

- 1. Name of Applicant.....
(name under which business conducted)
- 2. Business Address.....County.....
- 3. Business Telephone Number.....
- 4. If the applicant is a partnership set out the name, address of each partner below:

Name in Full	Residence Address	City or Town
.....
- 5. If applicant is an incorporated company, set out the names and residence addresses of officers of the company.
.....
.....
.....
- 6. Address of each branch of applicant (attach separate list, if necessary).
.....
.....
.....
- 7. Periods for which licence is desired:

January 1 to March 31	<input type="checkbox"/>
April 1 to June 30	<input type="checkbox"/>
July 1 to September 30	<input type="checkbox"/>
October 1 to December 31	<input type="checkbox"/>

I hereby certify that the information given by me in this application is true.

Dated at.....on the.....day of....., 19.....

(signature of owner, partner or officer of applicant).....(title of signing officer)

NOTE: The fee for this licence is \$6.00 for each quarter, for each branch, or location from which LP-Gas is distributed to a consumer.

Licence No.....

Form 210

The Energy Act, 1964

QUARTERLY LICENCE TO DISTRIBUTE LIQUEFIED PETROLEUM GAS

Under The Energy Act, 1964 and the regulations, and subject to the limitations thereof, this licence is issued to.....of.....to distribute liquefied petroleum gas.

This licence is valid from the.....day of....., 19..... to the.....day of....., 19.....

This licence is not transferable.

Issued at Toronto, this.....day of....., 19.....

(Minister of Energy and Resources Management)

For Departmental use only

Form 211

The Energy Act, 1964

APPLICATION FOR LICENCE(S) TO TRANSFER LIQUEFIED PETROLEUM GAS TO PRESSURE VESSELS

The undersigned applies for licence(s) to transfer liquefied petroleum gas to pressure vessels.

1. Name of Applicant..... (name under which business conducted)

2. Business Address..... County.....

3. Business Telephone Number.....

4. If the applicant is a partnership set out the name, address of each partner below:

Name in Full Residence Address City or Town

.....

5. If applicant is an incorporated company, set out the names and residence addresses of officers of the company.

.....

6. Address of each branch of applicant (attach separate list, if necessary).

.....

I hereby certify that the information given by me in this application is true.

Dated at..... on the..... day of....., 19....

(signature of owner, partner or officer of applicant)

(title of signing officer)

Annual Fee: \$55.00 for each branch.

Licence No.....

Form 212

The Energy Act, 1964

LICENCE TO TRANSFER LIQUEFIED PETROLEUM GAS TO PRESSURE VESSELS

Under The Energy Act, 1964 and the regulations, and subject to the limitations thereof, this licence is issued to..... to transfer liquefied petroleum gas to pressure vessels at.....

This licence expires with the 31st day of December, 19....

This licence is not transferable.

This certificate shall be displayed in a conspicuous place in the business premises of the person to whom it is issued.

Issued at Toronto, this..... day of....., 19....

(Minister of Energy and Resources Management)

For Departmental use only

Form 301

The Energy Act, 1964

APPLICATION FOR REGISTRATION BY A CONTRACTOR

The undersigned applies to the Department for registration as a contractor and for the purpose of registration gives the following information:

- 1. Name of Applicant
(name under which business conducted)
- 2. Business Address County
- 3. Business Telephone Number
- 4. Emergency or Night Address
- 5. Emergency Telephone Number
- 6. If the applicant is a partnership set out the name, address and telephone number of each partner below:

Name in Full	Residence Address	City or Town	Residence Telephone No.
.....
.....
- 7. If applicant is an incorporated company, set out the names and residence addresses of officers of the Company:
.....
.....
.....
.....
- 8. Address of branch offices of applicant:
.....
.....

I hereby certify that the information given by me in this application is true.

Dated at on the day of, 19

(signature of owner, partner or officer of applicant) (title of signing officer)

NOTE: The annual fee for this registration is \$10.00.

Form 302

The Energy Act, 1964

Registration Fee Registration No.

CERTIFICATE OF REGISTRATION OF CONTRACTOR

This is to certify that:

Name

Address

is registered with the Minister of Energy and Resources Management as a contractor under *The Energy Act, 1964* and the regulations thereunder.

This certificate expires on the 31st day of December, 19

This certificate is not transferable.

This certificate shall be displayed in a conspicuous place in the business premises of the person to whom it is issued.

This certificate may be cancelled if the person above named does not comply with *The Energy Act, 1964* and the regulations thereunder.

Dated at Toronto, this day of, 19

(Minister of Energy and Resources Management)

For Departmental use only

Form 303

The Energy Act, 1964

APPLICATION FOR REGISTRATION AS A GAS FITTER

I hereby apply to the Minister of Energy and Resources Management for registration as a gas fitter.

PLEASE PRINT:

Name of Applicant.....

Residence Address.....
(street and number) (city or town)

Employed by.....

Business Address.....

City or Town..... County.....

Fee \$5.00 payable to the Treasurer of Ontario.

Dated....., 19..... (signature)

For Departmental use

Receipt No.....

Certification No.....

Paid by Cash.....

Cheque.....

Money Order.....

Form 304

The Energy Act, 1964

APPLICATION FOR REGISTRATION AS LPG FITTER CLASS 1

I hereby apply to the Minister of Energy and Resources Management for registration as LPG fitter Class I.

PLEASE PRINT:

Name of Applicant.....

Residence Address.....
(street and number) (city or town)

Employed by.....

Business Address.....

City or Town..... County.....

Fee \$5.00 payable to the Treasurer of Ontario.

Dated....., 19..... (signature)

For Departmental use

Receipt No.....

Certification No.....

Paid by Cash.....

Cheque.....

Money Order.....

Form 305

The Energy Act, 1964

APPLICATION FOR REGISTRATION AS LPG FITTER CLASS II

I hereby apply to the Minister of Energy and Resources Management for registration as LPG fitter Class II.

PLEASE PRINT:

Name of Applicant.....

Residence Address.....
(street and number) (city or town)

Employed by.....

Business Address.....

City or Town..... County.....

Fee \$5.00 payable to the Treasurer of Ontario.

Dated....., 19.... (signature)

For Departmental use

Receipt No.....

Certification No.....

Paid by Cash.....

Cheque.....

Money Order.....

Form 306

The Energy Act, 1964

APPLICATION FOR REGISTRATION AS A MAINTENANCE GAS FITTER

I hereby apply to the Minister of Energy and Resources Management for registration as a maintenance gas fitter.

PLEASE PRINT:

Name of Applicant.....

Residence Address.....
(street and number) (city or town)

Employed by.....

Business Address.....

City or Town..... County.....

Fee \$5.00 payable to the Treasurer of Ontario.

Dated....., 19.... (signature)

For Departmental use

Receipt No.....

Certification No.....

Paid by Cash.....

Cheque.....

Money Order.....

Form 307

The Energy Act, 1964

APPLICATION FOR REGISTRATION AS A SERVICE GAS FITTER

I hereby apply to the Minister of Energy and Resources Management for registration as a service gas fitter.

PLEASE PRINT:

Name of Applicant

Residence Address.....
(street and number) (city or town)

Employed by.....

Business Address.....

City or Town..... County.....

Fee \$5.00 payable to the Treasurer of Ontario.

Dated....., 19.... (signature)

For Departmental use

Receipt No.....

Certification No.....

Paid by Cash.....

Cheque.....

Money Order.....

Form 308

The Energy Act, 1964

APPLICATION FOR REGISTRATION AS A PIPE LINE INSPECTOR

I hereby apply to the Minister of Energy and Resources Management for registration as a pipe line inspector.

PLEASE PRINT:

Name of Applicant

Residence Address.....
(street and number) (city or town)

Employed by.....

Business Address.....

City or Town..... County.....

Fee \$5.00 payable to the Treasurer of Ontario.

Dated....., 19.... (signature)

For Departmental use

Receipt No.....

Certification No.....

Paid by Cash.....

Cheque.....

Money Order.....

19.. Certificate No. G

Form 309

The Energy Act, 1964

I Hereby Certify

Name.....

Address.....

(county)

.....
is registered as a Gas Fitter.

This certificate is not transferable.

This certificate expires Dec. 31, 19....

.....
(Minister of Energy and
Resources Management)

Notify the Department in writing if you
change your address.

19.... Certificate No. LP

Form 311

The Energy Act, 1964

I Hereby Certify

Name.....

Address.....

(county)

.....
is registered as a LPG Fitter Class II.

This certificate is not transferable.

This certificate expires Dec. 31, 19....

.....
(Minister of Energy and
Resources Management)

Notify the Department in writing if you
change your address.

19.... Certificate No. LP

Form 310

The Energy Act, 1964

I Hereby Certify

Name.....

Address.....

(county)

.....
is registered as a LPG Fitter Class I.

This certificate is not transferable.

This certificate expires Dec. 31, 19....

.....
(Minister of Energy and
Resources Management)

Notify the Department in writing if you
change your address.

19.... Certificate No. M

Form 312

The Energy Act, 1964

I Hereby Certify

Name.....

Address.....

(county)

.....
is registered as a Maintenance Gas Fitter.

This certificate is not transferable.

This certificate expires Dec. 31, 19....

.....
(Minister of Energy and
Resources Management)

Notify the Department in writing if you
change your address.

19.... Certificate No. S
Form 313
The Energy Act, 1964
 I Hereby Certify

(signature of service gas fitter) Name.....
 Address.....
 (county)
 is registered as a Service Gas Fitter.
 This certificate is not transferable.
 This certificate expires Dec. 31, 19....
 (Minister of Energy and Resources Management)
 Notify the Department in writing if you change your address.

Form 315
The Energy Act, 1964
APPLICATION FOR RENEWAL OF CERTIFICATE OF REGISTRATION

I hereby apply for a renewal of Certificate of Registration No..... as a.....
 for the year 19....
 Family or Surname.....
 Given Names.....
 Residence Address..... (street)
 (city or town) (county)
 Date.....
 Fee \$5.00 (signature of applicant)

19.... Certificate No. P
Form 314
The Energy Act, 1964
 I Hereby Certify

(signature of gas pipe line inspector) Name.....
 Address.....
 (county)
 is registered as a Gas Pipe Line Inspector.
 This certificate is not transferable.
 This certificate expires Dec. 31, 19....
 (Minister of Energy and Resources Management)
 Notify the Department in writing if you change your address.

19.... Certificate No. G & LP
Form 316
The Energy Act, 1964
 I Hereby Certify

(signature of gas fitter and LPG fitter Class I) Name.....
 Address.....
 (county)
 is registered as a Gas Fitter and an LPG Fitter Class I.
 This certificate is not transferable.
 This certificate expires Dec. 31, 19....
 (Minister of Energy and Resources Management)
 Notify the Department in writing if you change your address.

Form 401

The Energy Act, 1964

**ANNUAL REPORT BY PERSON PRODUCING, STORING, TRANSMITTING OR
DISTRIBUTING GAS FOR YEAR ENDING DECEMBER 31ST, 19....**

Name of Individual, or Company *Operating*.....

Address.....

NOTE: State quantities in 1000 cubic feet (Mcf.).
Indicate pressure base in use..... psia.

1. Production Statistics					
Location of Wells		Number of Wells		Natural gas produced (Mcf.)	Average shut-in well-head pressure p.s.i.g.
Field or Pool	Township	Active	Shut-in		
Totals					

2. Gas Purchases			
Name of Vendor	Quantity	Price per Mcf.	Total Cost
Totals			

3. Storage Gas		
Quantity In	Quantity Out	Net
.....

4. Sales of Gas to Distributors or Transmitters			
Name of Purchaser	Quantity	Price per Mcf.	Total Value

5. Sales Directly to Consumers				
<table style="width: 100%; border-collapse: collapse;"> <tr> <td style="width: 50%; text-align: center; padding: 5px;">Number of Consumers</td> <td style="width: 50%; text-align: center; padding: 5px;">Quantity</td> </tr> <tr> <td style="text-align: center; padding: 5px;">.....</td> <td style="text-align: center; padding: 5px;">.....</td> </tr> </table>	Number of Consumers	Quantity
Number of Consumers	Quantity			
.....			

6. Free Gas				
<table style="width: 100%; border-collapse: collapse;"> <tr> <td style="width: 50%; text-align: center; padding: 5px;">Number of Consumers</td> <td style="width: 50%; text-align: center; padding: 5px;">Quantity</td> </tr> <tr> <td style="text-align: center; padding: 5px;">.....</td> <td style="text-align: center; padding: 5px;">.....</td> </tr> </table>	Number of Consumers	Quantity
Number of Consumers	Quantity			
.....			

7. Gas Used by Producer, Storer or Transmitter
--

8. Gas unaccounted for

9. Total Pipelines in use at end of year, stated in miles			
<table style="width: 100%; border-collapse: collapse;"> <tr> <td style="width: 33%; padding: 5px;">Gathering</td> <td style="width: 33%; padding: 5px;">Transmission</td> <td style="width: 34%; padding: 5px;">Distribution, exclusive of service lines</td> </tr> </table>	Gathering	Transmission	Distribution, exclusive of service lines
Gathering	Transmission	Distribution, exclusive of service lines	

10. Record of Wells Sold or Bought during Year						
Description		Location				Name of Buyer (B) or Seller (S)
Well Name	Serial Number	Field or Pool	Township	Lot	Conc.	

NOTE: In Section 10, show the name of person wells were sold to ("B") or bought from ("S") and completest possible details of well description and location.

..... (date) (signature)

A producer's licence or a transmitter's licence is suspended if he fails to make this report by the 1st day of March in the year following the year for which the report is made.

Form 601

The Energy Act, 1964

WARNING

This work or appliance has been tagged under the provisions of *The Energy Act, 1964*.

Unauthorized Use Prohibited

Date..... (inspector)

To.....

Inspector under *The Energy Act, 1964*,
DEPARTMENT OF ENERGY & RESOURCES MANAGEMENT,
42-48 Charles Street East,
Toronto, Ontario.

I have remedied or repaired the work or appliance to which you attached this tag in accordance with your requirements.

..... (registered contractor)

Date..... (address)

Form 602

The Energy Act, 1964

In the matter of proposed summary proceedings against.....

PERMISSION TO PROSECUTE

1. I,
Minister of Energy and Resources Management, hereby give permission to.....
to lay an information against.....
under section 9 of *The Energy Act, 1964*.

2. This permission is given under subsection 2 of section 9 of *The Energy Act, 1964*.

Dated at Toronto, this.....day of....., 19....

.....
(Minister of Energy and
Resources Management)

THE ENERGY ACT, 1964

O. Reg. 326/64.

Exploration, Drilling and Production.

Made—December 10th, 1964.

Filed—December 11th, 1964.

NOTE: *This Regulation does not come into operation until The Energy Act, 1964 is proclaimed in force.*

See R.S.O. 1960, c. 191, s. 5.

REGULATION MADE UNDER
THE ENERGY ACT, 1964

EXPLORATION, DRILLING AND PRODUCTION

INTERPRETATION

1.—(1) In this Regulation,

- (a) "development well" means a well that is bored or drilled for the purpose of producing from or extending a pool of oil or gas into which another well has already been bored or drilled;
- (b) "exploratory well" means a well that is bored or drilled for the purpose of discovering a pool of oil or gas;
- (c) "operator",
 - (i) when used in respect of a well being bored, drilled or deepened or in respect of a dry well, means the holder of the permit to bore, drill or deepen the well,
 - (ii) when used in respect of a well that is producing or that has produced, means the producer, and
 - (iii) in all other cases, means the owner of the gas and oil rights.

(2) In this Regulation, the limits of a tract,

- (a) where the tract is situate within a township lot, shall be obtained by dividing the whole lot into equal areas each of which shall be as nearly as possible a square of the prescribed area; and
- (b) where the tract is not situate within a township lot, shall be the limits of a square of the prescribed area.

EXPLORATION

2.—(1) A licence to conduct geophysical or geochemical exploration for gas or oil shall be in Form 101 and the fee therefor is \$10.

(2) A licence in Form 101 expires with the 31st day of December of the year for which it is issued and is not transferable.

3.—(1) The holder of a licence in Form 101 shall make a report to the Minister on or before the 31st day of January in the year following the year for which the licence was issued, setting out in respect of the previous year,

- (a) the exploration methods used;
- (b) the number of crew-months worked by the crews;
- (c) the number of acres or linear miles explored in each municipality;

(d) the name of any person with whom the licensee has contracted to conduct geophysical or geochemical exploration for gas or oil on behalf of the licensee; and

(e) a map of the area explored showing the locations where data was observed and recorded.

(2) The report required by subsection 1 shall be held confidential for one year.

LEASING

4.—(1) A licence to lease gas or oil rights from an owner other than the Crown shall be in Form 102 and the fee therefor is \$10.

(2) A licence in Form 102 expires on the 31st day of December in the year for which it was issued and is not transferable.

(3) A licence in Form 102 is issued subject to the condition that where the licensee leases gas or oil rights on behalf of another person the person on whose behalf he is leasing is also the holder of a licence in Form 102.

(4) Every holder of a licence in Form 102 or his employer shall, before the 31st day of January in the year following the year for which the licence was issued, report to the Minister the total acreage leased in each municipality during the previous year.

(5) The report required by subsection 4 shall be held confidential for one year.

SPACING

5. No person shall bore or drill a well,

- (a) within 150 feet of the near limit of any highway, road allowance, railroad, electric line or transmission line;
- (b) within 250 feet of any dwelling, industrial or commercial building, building for public assembly or any aircraft runway; or
- (c) in water covered areas unless it is at least 2000 feet from the shoreline.

6.—(1) Where a development well is bored or drilled into and not below a formation of Devonian age, the well shall be on a tract of $6\frac{1}{4}$ acres in respect of which the person boring or drilling the well is the sole operator.

(2) All other development wells shall be on a tract of 25 acres in respect of which the person boring or drilling the well is the sole operator.

(3) A development well shall not be located closer to a boundary of the tract in respect of which the person boring or drilling the well is the sole operator than,

- (a) 200 feet in the case of a Devonian well; or
- (b) 350 feet in the case of all other wells.

(4) This section does not apply to wells,

- (a) for the storage of hydrocarbons;
- (b) for the secondary recovery of oil;
- (c) that are situated in an area that has been unitized by agreement, by order of the Board or by a regulation made under *The Energy Act* being chapter 122 of Revised Statutes of Ontario, 1960;

- (d) for the testing of sub-surface structures;
- (e) for the injection of water;
- (f) for observation; or
- (g) in respect of which a special regulation establishing spacing units is made.

7.—(1) Where an exploratory well is bored or drilled into and not below a formation of Devonian age, the well shall be on a tract of $6\frac{1}{4}$ acres in respect of which the person boring or drilling the well is the sole operator.

(2) Where an exploratory well is bored or drilled into and not below a formation of Silurian age, the well shall be on a tract of 25 acres in respect of which the person boring or drilling the well is the sole operator.

(3) Where an exploratory well is bored or drilled into or below a formation of Ordovician age, the well shall be on a tract of not less than 50 acres in respect of which the person boring or drilling the well is the sole operator.

(4) An exploratory well shall not be located closer to a boundary of the tract in respect of which the person boring or drilling the well is the sole operator than,

- (a) 200 feet in the case of a Devonian well;
- (b) 350 feet in the case of a Silurian well; or
- (c) 500 feet in the case of all other wells.

(5) The Minister may issue a permit to bore, drill or deepen an exploratory well that does not comply with this section subject to the condition that there is no production from the well until the operator becomes the sole operator in respect of a tract that complies with this section.

DRILLING AND COMPLETION

8.—(1) An application for a permit to bore, drill or deepen a well shall be made in duplicate in Form 103.

(2) The application shall be accompanied by a scaled plan of the tract in which the well is to be bored or drilled showing,

- (a) exact co-ordinates of the well from two intersecting sides of the tract;
- (b) the elevation above sea level of the well site;
- (c) property lines within the tract;
- (d) the location of all other wells within the tract;
- (e) where the tract is within a township lot, the position of the tract within the lot; and
- (f) such further information as the Minister requests.

(3) A permit to bore, drill or deepen a well shall be in Form 104 and the fee therefor is \$15 and the permit is not transferable.

(4) After the drilling machine is in position but before drilling operations cease, the operator shall either verify or correct in writing the plan referred to in subsection 2.

(5) The operator shall display his permit in Form 104 at the well site throughout drilling operations.

9.—(1) Subject to subsection 2, a permit to bore, drill or deepen a well shall not be issued to a lessee unless the applicant has deposited in respect of the well with the Treasurer of Ontario the sum of \$500 or, where the well is in a water-covered area, \$1,000 in cash or direct or guaranteed securities of the Government of Canada or of the Government of Ontario as security for completion of the works in accordance with the Act, the regulations and any order of the Board.

(2) The total amount deposited by a person under subsection 1 shall not exceed \$5,000.

(3) The Treasurer of Ontario shall return the security deposited in respect of a well if the amount returned does not reduce the total security deposited by the person in respect of other wells to less than the amount determined under subsections 1 and 2 and where,

- (a) the Minister certifies that the well is plugged in accordance with the Act, the regulations or an order of the Board; or
- (b) the well is sold by the lessee to the owner of the land on which the well is situate.

(4) Where the Minister takes possession of a well under section 41,

- (a) the sum of \$1,000 where the well is on land or \$2,000 where the well is in a water-covered area out of the total security deposited by the person to whom the permit to bore, drill or deepen the well is issued; or
- (b) the total security deposited by such person where it is less than the appropriate amount determined under clause a,

is forfeited and shall be paid into the Abandoned Works Fund.

(5) Where there has been a forfeiture under subsection 4, every permit to bore, drill or deepen a well and every licence to produce gas or oil held by the person who deposited the security forfeited is suspended until the total amount of the security required by subsections 1 and 2 is restored.

(6) The Treasurer of Ontario may sell any securities deposited and forfeited under this section at the current market price.

(7) Where the owner of the land on which a well is situate leases the well, the lessee shall deposit the security in respect of the well prescribed by this section.

10.—(1) A licence for a machine for boring or drilling wells shall be in Form 105 and the fee therefor is \$10.

(2) A licence in Form 105 expires with the 31st day of December of the year for which it is issued.

(3) A licence in Form 105 shall be kept at the machine and be available for inspection.

(4) The owner of a machine to bore or drill a well, and the operator thereof, shall comply with the drilling safety code in the Schedule to this Regulation.

11.—(1) When a well is in the process of being bored, drilled, deepened or reconditioned, the operator shall keep at the well or at his field office and within reasonable distance of the well a daily record of the operations.

(2) Any suspension of operations shall be noted on the daily record.

(3) The daily record shall set out complete information on all operations carried on during the day and, without restricting the generality of the foregoing, shall include,

- (a) the depth at the beginning of the day or tour;
- (b) the depth at the end of the day or tour;
- (c) the diameter of the hole;
- (d) any change in casing;
- (e) if casing is set, all information regarding the setting with size, type, grade and weight of the casing, whether the casing is new or used, and the depth at which it is set;
- (f) particulars of cementing;
- (g) the depth at which water, oil or gas is encountered even if only small showings, and the pressures, flows and levels thereof; and
- (h) a report of each log, survey, formation test, deviation test or other test taken or made.

(4) The record kept shall note and describe, in addition to drilling operations, all other operations carried on, including fishing, shooting, perforating, acidizing, fracturing, surveying and plugging.

(5) The record required by this section shall be available at all reasonable times to inspectors.

12. The operator shall ensure that all casing, tubing and equipment used in the drilling or production of a well is in good condition and adequate for the depths to be drilled and the pressures that may be encountered.

13.—(1) Every operator of a well drilled with cable tools shall plan and effect a casing and cementing programme for the well to protect fresh water horizons, to protect any potential oil-bearing or gas-bearing horizons penetrated during drilling operations and to prevent the harmful migration of gas, oil or water from one horizon to another.

(2) Where rotary drilling equipment is used, the operator shall run sufficient surface casing to protect all fresh water horizons and such surface casing shall be cemented by displacement or pump with adequate time allowed for the cement to set.

14.—(1) The operator of a well that is being drilled, tested, completed, stimulated or reconditioned shall provide and maintain casing and control equipment in such condition that any oil, gas or water encountered can be effectively controlled.

(2) The operator shall ensure that control equipment is adequate, having regard to the depth to be drilled, the expected pressure and the necessity in case of blow-out of obtaining a shut-off around any equipment being employed in the well.

(3) While a well is being drilled, the operator shall test control equipment daily and record the results of such tests in the daily record.

(4) The operator shall ensure that control equipment is serviceable at all times.

(5) The operator shall ensure that the controls for the operation of control equipment are under all conditions readily accessible to the person in control of the drilling machine.

(6) Control equipment shall include in the assembly two valved lines not less than two inches in diameter below the valve or blow-out preventer for the purpose of bleeding off fluids and killing the well if necessary.

(7) The operator shall not permit a well to flow uncontrolled.

(8) Each operator shall report to an inspector immediately by the quickest effective means any well flowing uncontrolled.

15. The operator of a producing well shall ensure that,

(a) strings of casing intermediate between the production casing and the surface casing are not recovered unless all strata containing mineral water, oil or gas are isolated to the satisfaction of the Minister; and

(b) the surface casing is not recovered.

16. At the end of every drilling or plugging operation, or as soon thereafter as weather and ground conditions permit, the operator shall cause the area around the well to be cleared of refuse and waste, excavations and pits to be filled and levelled and the site to be restored as nearly as is practicable to its condition before drilling was commenced.

17. Before production commences the operator shall arrange the surface equipment of a well so as to permit the measurement of the tubing pressure and open flow and the sampling of oil, gas and water.

18.—(1) In this section, "well" means a well in a water-covered area.

(2) An applicant for a permit to bore or drill a well shall furnish proof to the Minister that he has subscribing liability insurance, adequate, in the Minister's opinion, to provide compensation for all damage to others caused by the drilling operations.

(3) An applicant for a licence to produce gas or oil from a well shall furnish proof to the Minister of subscribing liability insurance, adequate, in the Minister's opinion, to provide compensation for all damage to others caused by the production operations.

(4) A licence for a machine for boring or drilling a well is issued on the condition that the machine is not used to bore or drill a well in a water-covered area unless the operator furnishes proof to the Minister of subscribing insurance, adequate, in the Minister's opinion, to provide compensation for all damage to others caused by the machine, or by any vessel or craft or barge used to transport men or material to the machine.

(5) When an operator has encountered oil in a well or its boring or drilling a well in an area where oil may reasonably be expected to be encountered, he shall, in addition to the requirements of the other provisions of this Regulation, provide in operating condition oil-saving and discharge equipment and emergency oil storage.

(6) At the end of a drilling operation and before production commences, the operator of a producing well shall submit plans and specifications of the well-head assembly, in duplicate, to the Minister.

(7) The operator of a well shall ensure that the production casing is cemented before production commences.

(8) The operator shall ensure that the well-head equipment in producing wells provides a solid and permanent water-tight seal between the water and the annular spaces between strings of casing.

(9) Subject to subsection 10, the operator of a producing well shall ensure that where the well-head is above the bed of the body of water, the over-all height of the well-head assembly is kept to a minimum.

(10) The operator of a producing well in shallow water where ice or navigation is a hazard shall ensure that the well-head is encased in a cellar below the bed of the body of water.

(11) At the end of every drilling or plugging operation the operator of the well shall ensure that any platform, piling, anchor-post or other obstruction is removed as soon as is reasonably possible, and in any case within thirty days.

(12) Where a well-head is not in a cellar, the operator shall mark the well-head with a tapered wooden pole fitted with a sinker and orange flag, secured to the well-head with a nylon line, and shall maintain such mark.

(13) No person shall remove or damage a pole erected under subsection 12, other than the operator who is required to maintain the pole.

(14) When a well is plugged, the operator shall cut off any casing left in the hole at the bed of the body of water.

19.—(1) Every operator shall, within thirty days after the end of drilling operations, forward or deliver to an inspector at the operator's expense,

- (a) samples of rock cuttings including cored intervals taken throughout the depth of the well from each run, or from intervals of not more than 10 feet, and such samples shall be washed, dried, bagged in a bag provided by the Minister and accurately labelled with the name of the well and the interval of depth;
- (b) a complete record in duplicate in Form 106;
- (c) in exploratory wells, samples of oil and water recovered from below the top of the Trenton formation; and
- (d) at the request of the Minister, samples of any gas, oil or water recovered from any well.

(2) The geological log, pay-thickness and pressure data on Form 106 shall be confidential for nine months in the case of exploratory wells and three months in the case of other wells, unless previously released by the operator.

20.—(1) The operator shall supply to the Minister within thirty days after the end of drilling operations,

- (a) a copy of the drill-stem test report and of the pressure charts for each drill-stem test taken at the well; and
- (b) a list of the drill-stem tests taken at the well indicating the chronological sequence and depth interval of each drill-stem test.

(2) During any period of testing following completion of a well or following re-working of a well, the operator shall maintain a record of the daily production which shall be available to an inspector.

(3) Where an operator has completed a gas well with an estimated open flow in excess of one million cubic feet per day, the operator shall determine the performance of the well according to recognized standards of back-pressure testing and shall report the results of the determination including observed field data to the Minister.

(4) The reports and charts required by subsection 1 shall be confidential for twelve months unless previously released by the operator.

21. Where any radio-active or other type of down-hole log or survey is taken in a well, two copies of the log or survey, one suitable for reproduction, shall be supplied to the Minister by the operator within thirty days after the log or survey is taken and the log or survey shall be confidential for,

- (a) twelve months where the log or survey is taken in a well bored or drilled under a drilling permit; or

- (b) thirty-six months where the log or survey is taken in any other well,

unless previously released by the operator.

22. Where a well is deepened, fractured, acidized, plugged back or re-cased, the operator shall make a report to the Minister within thirty days in Form 106.

23. When an operator has caused a core analysis or any other down-hole test or analysis to be made, he shall report the results thereof to the Minister within thirty days after the analysis or test has been made, and the information contained in the report shall be confidential for twelve months unless previously released by the operator.

24.—(1) Where cores are taken, the operator shall pack them in numbered wooden boxes accurately labelled in ink showing the name and number of the well and the depth interval, and the boxes shall be protected from damage and stored by the producer.

(2) No core shall be destroyed, except for the purpose of analysis.

(3) Where cores are no longer required by the operator, the Minister may instruct the operator to forward them to the Geological Survey of Canada.

25. The Minister may require the operator to take and record the measurement of the gas and oil produced by any well and to file the record of the measurement with the Minister.

SPACING UNITS

26.—(1) Where a person discovers a pool capable of producing gas or oil, any person having gas or oil rights in respect of the pool may apply to the Minister for the establishment of spacing units and, where no other person has applied within ninety days of the discovery, the person who discovered the pool shall apply.

(2) An application shall be accompanied by a plan of the lands comprising the probable area of the pool, certified by an Ontario Land Surveyor or Professional Engineer qualified to practise in Ontario or other person acceptable to the Minister, showing,

- (a) the location of the well in relation to the boundaries of the lands, roadways and topographical features of the area;
- (b) the names of all owners of gas and oil rights; and
- (c) a description of the interest of each owner.

(3) The applicant shall serve a true copy of the application and plan upon every other operator of the pool within five days of the making of the application.

(4) No person shall bore or drill a development well into a pool referred to in subsection 1 until the application has been made and disposed of.

27. It shall be a condition of every gas and oil lease that the lessee's share of work done under a pooling or unitizing order applying to the leased property shall be deemed to be work done by the lessee.

PRODUCTION

28.—(1) A licence to produce gas or oil for sale shall be in Form 107.

(2) A licence in Form 107 expires with the 31st day of December of the year for which it is issued and is not transferable.

(3) Where the amount of natural gas or oil produced for sale by a producer in the year preceding the year for which application for a licence is made exceeds 500,000 cubic feet of gas or fifty barrels of oil, the fee payable for the licence is \$10.

(4) No person shall purchase gas or oil from a person producing the gas or oil who is not the holder of a subsisting licence in Form 107.

(5) A licence in Form 107 is issued on condition that if the producer fails to make the report required by section 29 to the Minister by the specified date his licence is suspended until such report is made.

(6) A producer for his own use only is exempt from clause *c* of subsection 1 of section 5 of the Act.

29.—(1) Every producer of oil for sale shall, on or before the 15th day of February in each year, make a report in triplicate to the Minister in Form 108, for the preceding licence year.

(2) Every oil producer shall maintain a map or maps of his production and collection systems.

(3) Every producer of gas for sale shall on or before the 1st day of March in each year make, in triplicate, a report for the preceding licence year, to the Minister in Form 401 of Ontario Regulation 325/64.

(4) Every gas producer shall maintain a map or maps of his production and collection systems.

(5) The reports required by this section shall be confidential for three months.

30. The operator of a well shall use every possible precaution to prevent waste of oil or gas in drilling and production operations and in storing, piping or distributing oil or gas, and shall not use oil or gas wastefully or allow it to leak or escape from natural reservoirs, wells, tanks, containers or pipes.

31.—(1) The operator of a well shall upon the request of the Minister provide a sample for analysis of any oil, water or gas produced from the well.

(2) The operator of a well shall upon the request of the Minister make such tests, analysis, surveys or logs as the Minister requests and shall submit the information so obtained to the Minister.

32.—(1) The operator of a well shall ensure that all water produced from a well is disposed of in a manner that will not interfere with the rights of any person.

(2) The operator of a well shall ensure that salt water, drilling fluid, oil refuse and any flammable product from a well, tank or other production installation are not handled or disposed of so as to,

- (a) create or constitute a hazard to public health or safety;
- (b) run into or contaminate any fresh water stratum or body of water or remain in a place from which it might contaminate any fresh water or body of water; or
- (c) run over or damage any land, highway or public road.

(3) The operator of a well shall ensure that all rubbish, debris or oily refuse from a well or tank or resulting from any operation at a well are,

- (a) removed immediately at least 150 feet from buildings or tanks, wells, pump stations or other sources of ignitable vapours; and
- (b) burned immediately or disposed of in such other manner that no fire hazard is created and no fresh water is polluted.

33. Each operator of a well shall report to an inspector immediately by the quickest effective means, and shall report further by letter, any fire or explosion or any accident causing personal injury that occurs at an oil or gas well, production line, field battery installation or field storage tank owned, operated or controlled by the operator.

34.—(1) Every producer of gas for sale shall, not later than the 30th day of September in each year, shut in all his gas wells for such period as is necessary to properly measure the shut-in well-head pressure of each well, and record the number of hours required to reach a stabilized pressure.

(2) Pressures and numbers of hours as recorded under subsection 1 shall be reported to the Minister by the producer not later than the 15th day of October in each year.

(3) A gas producer shall, upon the request of the Minister, determine the open-flow potential of any well and report to the Minister.

(4) Notwithstanding subsections 1 and 2, the producer of a gas well in a water-covered area shall determine the shut-in well-head pressure of the well and make the records and reports in the manner prescribed by subsections 1 and 2 when the Minister requires the report.

(5) This section does not apply to gas storage wells.

35. The operator of a well shall ensure that,

- (a) oil is not stored in open excavations or open containers, or otherwise so stored as to create a hazard;
- (b) oil tanks or batteries of tanks are surrounded by a dike having a capacity to contain a volume 25 per cent greater than the volume of the tanks or batteries and the dike is kept free of high grass, weeds and combustible material;
- (c) all well-head and battery equipment and services are designed, constructed, installed, operated and maintained in accordance with sound engineering practice, and so as to prevent hazard to surrounding property;
- (d) oil storage tanks are located at least 250 feet from any dwelling, commercial or industrial building, or building for public assembly and at least 50 feet from any highway, road allowance, railway or electric transmission line;
- (e) any significant volume of gas vented to the atmosphere during production is flared;
- (f) all flare pits and ends of flare lines are so constructed and safeguarded that there is no hazard to property, crops or trees and are located at least 150 feet from any dwelling, commercial or industrial building or building for public assembly and at least 75 feet from any highway, road allowance, railway or electric transmission line.

36. The operator of a well shall ensure that,

- (a) all fires used by him for any purpose are safeguarded by sufficient mechanical or other means so that there is no hazard to surrounding property;
- (b) no open-element electric heater or flame-type stove heater, treater or other flame-type equipment is placed or remains within 50 feet, shell to shell, of a well or any unprotected source of ignitable vapour;

- (c) no treater is placed or remains within 50 feet, shell to shell, of any type of direct-fired heater;
- (d) no treater is placed or remains within 10 feet, shell to shell, of any other treater, or indirect-fired heater;
- (e) no separator is located within the dike surrounding a storage tank installation;
- (f) no flare pit or open end of a flare line is located or remains nearer to a treater than 50 feet or nearer to a well or any unprotected source of ignitable vapour than 100 feet;
- (g) all vessels and equipment from which ignitable vapours may issue are safely vented to the atmosphere;
- (h) all motors within 20 feet of a well or any unprotected source of ignitable vapour are so constructed or enclosed as to be gas-tight and spark-proof;
- (i) exhaust pipes of internal combustion engines located within 50 feet of a well or any unprotected source of ignitable vapour are either insulated or sufficiently cooled to prevent ignition of flammable material;
- (j) the exhaust pipe of an internal combustion engine located within 25 feet of a well is equipped with a spark arrester and is either insulated or sufficiently cooled to prevent ignition of flammable material; and
- (k) explosives are stored not less than 500 feet from any place where drilling or production is being carried on.

PLUGGING

37.—(1) The operator of a dry well shall plug the well in accordance with this Regulation forthwith after drilling operations cease.

(2) The last operator of an abandoned well or the owner of the land on which an abandoned well is situate shall plug the well in accordance with this Regulation.

38.—(1) Every person who plugs a well shall do so in a manner that,

- (a) ensures protection for potential oil or natural gas producing horizons;
- (b) prevents the harmful infiltration of water into water, gas, oil or salt horizons;
- (c) constitutes no hazard to users of the surface;
- (d) retains all fluids in their source formations; and
- (e) seals off strata from those above.

(2) The plugging material shall be cement with such other materials as are necessary.

(3) No person shall commence to plug a well until he has given notice to an inspector of the manner in which the plugging is to be carried out.

(4) The person who plugs a well shall complete a record of the plugging in Form 109 and shall forward the record to the Minister within thirty days of the completion of the plugging operations.

DISPOSAL WELLS

39.—(1) Every operator shall ensure that mineral water from a well is stored, transported and disposed of in such a manner as will not cause pollution of surface water or underground fresh water.

(2) No person shall dispose of waste or mineral waters in an underground formation without the approval of the Minister.

(3) Wells for the disposal of waste and mineral waters shall be cased and sealed in such a manner as will prevent the waste and mineral waters from entering any formation not approved for the purpose under subsection 2.

ABANDONED WORKS FUND

40.—(1) The Abandoned Works Fund is established.

(2) \$5 out of every fee paid for a permit to bore or drill a well shall be paid into the Fund.

41.—(1) Where a work is not in compliance with the Act or the regulations and if after notice thereof is given to the operator or, where the name and address of the operator is not known to the Minister, is given to the owner of the lands on which the well is situate the non-compliance is not forthwith corrected, the Minister may take possession of the work and may,

- (a) cause such things to be done as are necessary to make the work conform to the Act and the regulations; and
- (b) remove and sell by public auction the work or any part of it.

(2) Any expense incurred in an action taken under subsection 1 shall be paid out of the Abandoned Works Fund.

(3) The proceeds of a sale under subsection 1 shall be paid into the Abandoned Works Fund.

(4) The Minister may recover from the operator of the work or the owner of the land on which it is situate,

- (a) the expenses incurred in any action taken under subsection 1, where there is no sale; or
- (b) the excess of the expenses over the net proceeds of the sale, where there is a sale.

42.—(1) A tag attached to a work under section 3 of the Act shall be in Form 601 of Ontario Regulation 325/64.

(2) The permission of the Minister to lay an information under section 9 of the Act shall be in Form 602 of Ontario Regulation 325/64.

43.—(1) A person who is required under this Regulation to file a record, return or report and fails to do so shall, upon the written demand of the Minister, file the record, return or report within such reasonable time as the Minister stipulates.

(2) A demand under subsection 1 shall be deemed to be made if mailed by registered mail addressed to the last known address of the person upon whom it is being made.

44. Ontario Regulations 220/62 and 24/63 are revoked.

Schedule

DRILLING SAFETY CODE

1. Every owner of a machine for boring or drilling wells shall take all necessary measures to enforce this Schedule and to ensure that it is observed by every employee under his control.

2. Every employee of the owner shall take all measures to carry out his duties in accordance with such rules as are applicable to the work in which he is engaged.

3. No machine, tool or other equipment shall be used if it is unsafe, or not so constructed or operated that it is reasonably safe for persons employed on or around a machine for boring or drilling wells.

4. Spudding or drilling shall not be commenced until all moving parts of machinery used in the spudding or drilling are guarded and until all necessary floors, stairways and handrails are installed.

5. Every floor, walk, ladder or platform shall be constructed of sound material in conformance with good practice, and shall be kept in good repair.

6. Every drilling floor shall have an exit on at least two sides, and doors on the exits shall open outwards and shall be unlocked when any person enters on the drilling floor.

7. All platforms used in connection with rotary machines shall be adequately constructed and properly fastened and provided with safety railings at least three feet high.

8.—(1) A safety belt shall be provided for and worn by each person working above the derrick floor, and shall be kept in good repair.

(2) Every safety belt shall be securely fastened to the derrick or mast.

9. Hard hats shall be worn by all persons on or around the machine during erection, operation, maintenance or dismantling.

10. Safety goggles shall be provided by the owner of the machine for use by persons employed on or around the machine engaged in mixing chemicals, welding, chipping, grinding, hammering, dressing bits or other operation hazardous to the eyes.

11. All tools and equipment shall be kept in good repair.

12. No person shall be required to enter any tank or other container used for the storage of oil or any product of oil unless,

- (a) all fumes have been removed; or
- (b) the person is wearing a mask and attended by two other persons.

13. The machine shall have at least two ten pound fire extinguishers of the sodium bicarbonate-carbon dioxide type readily available to the drilling floor.

14. No person shall smoke within seventy-five feet of any equipment used for the separation, measurement or storage of oil or gas, or of any well where oil or gas may be exposed to the atmosphere.

15. Pipe racks shall be adequately constructed and provision shall be made for the clearing or pinning of material on the rack to prevent lateral movement except when required.

16. All chain drives, belt drives, pinions, gears, couplings and other moving parts of the machine shall be covered or fitted with guards, adequate to prevent injury to personnel.

17. Where the owner of the machine requires that only his employees, inspectors and other persons authorized by him may have admittance to the well site, he shall erect notices to that effect.

18. The owner of the machine shall provide a medical kit at the machine and shall maintain the stock of materials in it.

Form 101

The Energy Act, 1964

Licence No.

LICENCE TO CONDUCT GEOPHYSICAL OR GEOCHEMICAL EXPLORATION FOR GAS OR OIL

Under *The Energy Act, 1964* and the regulations, and subject to the limitations thereof, this licence is issued to.....

of.....

to conduct geophysical or geochemical exploration for gas or oil.

This licence expires with the 31st day of December, 19.....

This licence is not transferable.

Issued at Toronto, this..... day of....., 19.....

.....
(Chief Inspector)

.....
(Minister of Energy and Resources Management)

Form 102

The Energy Act, 1964

Licence No.

LICENCE TO LEASE GAS OR OIL RIGHTS

Under *The Energy Act, 1964* and the regulations, and subject to the limitations thereof, this licence is issued to
of

to lease gas or oil rights from owners other than the Crown.

This licence expires with the 31st day of December, 19.....

This licence is not transferable.

Issued at Toronto, this.....day of, 19.....

.....
(Chief Inspector)

.....
(Minister of Energy and Resources Management)

Form 103

The Energy Act, 1964

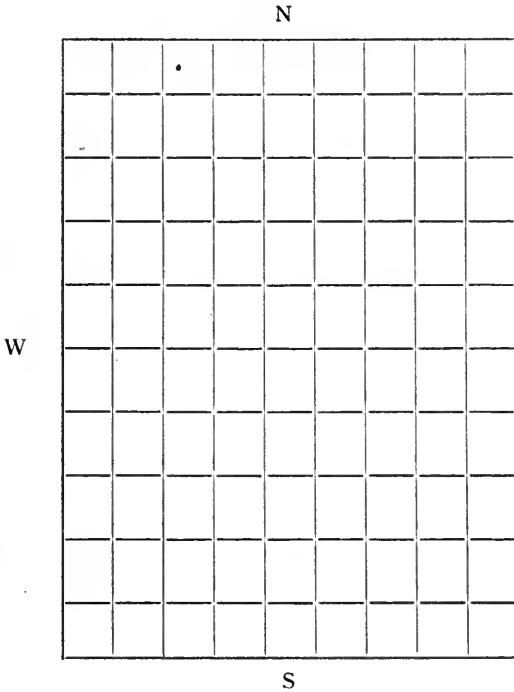
APPLICATION FOR A PERMIT TO BORE, DRILL OR DEEPEN A WELL

To: The Minister of Energy and Resources Management:

The undersigned producer applies for a permit to bore, drill or deepen a well under *The Energy Act, 1964* and regulations and submits the following information, together with the prescribed fee of \$15.

1. Well Name.....
2. Name of Applicant.....
Address.....
3. Company serial number of well.....
4. Location of proposed well.....
(lot) and (concession) or (number of licence of occupation or lease)
(district or county) (township)
5. Name of land owner.....
part of lot owned..... acres. Land well number.....
6. Name of drilling contractor.....
Address.....
7. Proposed starting date.....
8. Proposed depth of well.....
9. Ground elevation plus correction to rig floor.....

*10. Location—draw sketch to scale.



Co-ordinates

North-South.....
East-West.....

11. The undersigned producer certifies that he has the right to bore or drill for gas and oil in the above location.

Remarks.....

Date..... (signature)

..... (address)

*NOTE : Subsection 2 of section 8 of Ontario Regulation 326/64 reads as follows:

“(2) The application shall be accompanied by a scaled plan of the tract in which the well is to be bored or drilled showing,

- (a) exact co-ordinates of the well from two intersecting sides of the tract;
- (b) the elevation above sea level of the well site;
- (c) property lines within the tract;
- (d) the location of all other wells within the tract;
- (e) where the tract is within a township lot, the position of the tract within the lot; and
- (f) such further information as the Minister requests.”

Form 104

The Energy Act, 1964

PERMIT TO BORE, DRILL OR DEEPEN A WELL

Under *The Energy Act, 1964* and the regulations, and subject to the limitations thereof, this permit is issued to.....

of.....

to bore, drill or deepen a well, described as follows:

Location: County..... Township.....

Lot..... Concession.....

or number of licence of occupation or lease.....

Co-ordinates: N-S..... E-W.....

Name of well.....

Depth not to exceed.....feet.

This permit is issued subject to the special terms and conditions as shown on the back of this permit.

This permit expires with.....

This permit is not transferable.

Issued at.....this.....day of....., 19.....

..... (Inspector) (Minister of Energy and Resources Management)

NOTE: The operator shall display this permit at the well site throughout drilling operations.

Form 105

The Energy Act, 1964

Licence No.....

LICENCE FOR A MACHINE FOR BORING OR DRILLING WELLS

Under *The Energy Act, 1964* and the regulations, and subject to the limitations thereof, this licence is issued to.....

of.....

in respect of the machine for boring or drilling wells described as follows:

..... (make) (model) (serial number)

This licence expires with the 31st day of December, 19.....

This licence is transferable from one person to another.

Issued at Toronto, this.....day of....., 19.....

..... (Chief Inspector) (Minister of Energy and Resources Management)

Form 106

The Energy Act, 1964

DRILLING AND COMPLETION RECORD

To the Minister of Energy and Resources Management:

County..... Township..... Lot..... Con.....

WELL NAME..... Permit No.....

Operator..... TD..... PBSD.....

Address..... Ground Elev.....ft. (above sea level)
KB/RF Elev.....ft. level)

Land Owner.....

Drilling Contractor.....

Machine Type (cable tool, etc.).....Licence No..... Co-ordinates:

(from lot N-S.....
lines) E-W.....
Latitude.....
Longitude.....

Lease or L.O. No.....

Date Drilling Started.....

Date Drilling Completed.....

RECORD OF SPECIAL PRODUCTION STIMULATION TREATMENT	
Date	

RECORD OF PRODUCTION TESTS	
Date	

Plugging Record—In the case of dry holes, the plugging method is to be described on Form 109 and attached hereto.

Any correction in location originally submitted.....

Remarks.....

.....
 (signature) (address) (date)

NOTE 1 : The well name shall be that name which appears on Form 104 and shall not be changed without first notifying the Minister.

NOTE 2 : Elevations must be determined by instrument and must be certified by an Ontario Land Surveyor or other person acceptable to the Minister.

For Departmental Use

Date of Shipment of Samples.....

Record of other Tests and Analyses.....

Other Data and Remarks.....

Form 107

The Energy Act, 1964

Licence No.....

LICENCE TO PRODUCE GAS OR OIL

Under *The Energy Act, 1964* and the regulations, and subject to the limitations thereof, this licence is issued to.....

of.....

to produce gas or oil.

This licence expires with the 31st day of December, 19.....

This licence is not transferable.

This licence is issued on the condition that,

- (a) if the holder produced oil under the licence and fails to make a report in Form 108 by the 15th day of February after the date of expiry; and
- (b) if the holder produced gas under the licence and fails to make a report in Form 401 of Ontario Regulation 325/64 by the 1st day of March after the date of expiry,

this licence is suspended until the report is made.

Issued at Toronto, this..... day of....., 19.....

.....
 (Chief Inspector)

.....
 (Minister of Energy and Resources Management)

RECORD OF WELLS SOLD OR BOUGHT DURING YEAR						
Description		Location				Name of Buyer (B) or Seller (S)
Well Name	Serial No.	Field or Pool	Township	Lot	Concession	

Date..... (signature)

Form 109

The Energy Act, 1964

RECORD OF THE PLUGGING OF A WELL

To the Minister of Energy and Resources Management:

Name of owner of well.....

Address.....

Well owner's well name and number.....

Name of land owner at time of drilling.....

Year drilled..... Well number on land..... Lease number.....

District or County..... Township.....

Lot..... Concession.....

Co-ordinates: N-S..... E-W.....

Name of person plugging.....

Address.....

Date plugging started.....19..... Date completed.....19.....

Work supervised by.....

Describe method used in complete detail, giving depths, materials, thicknesses

DRIVE PIPE, CASING AND TUBING RECORD			
Size	Seated At	Number of feet Recovered	Number of feet abandoned

Date..... (signature)
 (address)

(1663)

52

THE HIGHWAY TRAFFIC ACT

O. Reg. 327/64.

General.
 Made—December 10th, 1964.
 Filed—December 11th, 1964.

REGULATION MADE UNDER THE HIGHWAY TRAFFIC ACT

1. Subsection 1 of section 20 of Regulation 227 of Revised Regulations of Ontario, 1960, as remade by Ontario Regulation 294/63 and amended by Ontario Regulation 300/64, is further amended by adding thereto the following paragraph:

4b. Notwithstanding paragraphs 4 and 4a, for the renewal of a driver's licence,

(a) where the applicant has attained the age of 78 years but not the age of 79 years.....\$ 2.00

(b) where the applicant has attained the age of 79 years or more.....\$ 1.00

2. Section 21 of Regulation 227 of Revised Regulations of Ontario, 1960, as amended by section 2 of Ontario Regulation 300/64, is further amended by adding thereto the following subsection:

(4) Where a person has,

(a) attained the age of 78 years but not the age of 79 years, his licence may be renewed for a period of two years only from his 78th birthday; and

(b) attained the age of 79 years or more, his licence may be renewed for a period of one year only.

(1664)

52

THE GAME AND FISH ACT, 1961-62

O. Reg. 328/64.

Hunting Licences—Issuance.
 Made—December 10th, 1964.
 Filed—December 14th, 1964.

REGULATION MADE UNDER THE GAME AND FISH ACT, 1961-62

1. Clause b of subsection 1 of section 1 of Ontario Regulation 229/63 is amended by striking out "for his own use" in the second and third lines.

2.—(1) Subsection 1 of section 7 of Ontario Regulation 229/63 is amended by striking out "3" in the first line.

(2) The said section 7 is amended by adding thereto the following subsection:

(1a) An application for a licence in Form 3 shall be in Form 1A, shall be signed in the presence of the person issuing the licence, and

(a) where the applicant has not previously been issued a hunting licence by a competent authority in any jurisdiction, shall be supported by a certificate of competence issued to him by an instructor in hunter training; and

(b) where the applicant has been issued a hunting licence by a competent authority in any jurisdiction, shall be supported by the production of the hunting licence unless the application shows the reason why it cannot be produced.

3. Ontario Regulation 229/63 is amended by adding thereto the following section:

7a.—(1) The holder of a licence in Form 2, 3, 4, 5, 9, 11 or 12 shall attach to the carcass of a deer or moose the shipping coupon attached to the licence before the deer or moose is shipped or transported.

(2) The shipping coupon attached to a licence in Form 2, 3, 4, 5, 9, 11 or 12 expires with the fourth day after the close of the open season.

4. Form 1 of Ontario Regulation 229/63 is revoked and the following substituted therefor:

Form 1

The Game and Fish Act, 1961-62

19....

APPLICATION FOR A

HUNTING LICENCE

(print—family or surname)

(print—given names)

Residence Address..... (street and number, or

lot, concession and township)

(city, town or village) (county or district)

Colour of Hair..... Colour of Eyes....

Weight...lbs. Height...ft.....ins.

Date of Birth: (Month).....

(Day).....(Year).....

I have resided in Ontario for a period of.....months during the twelve months immediately preceding the date of this application.

*Strike out where not applicable

* I have not previously been issued a hunting licence by a competent authority in any jurisdiction.

* Filed with this application is certificate dated the.....day of....., 19...., issued by....., an instructor in hunter training.

I have been issued a hunting licence by a competent authority in..... (province,

state or country)

of.....

in the year(s).....

I cannot produce any of such licences for the following reason:

.....

Dated this.....day of....., 19.....

Signed in the presence of

(person issuing the licence)

(signature of applicant)

5. Form 2 of Ontario Regulation 229/63 is amended by adding at the end thereof the following:

Licence No.....

The Game and Fish Act, 1961-62

DEER SHIPPING COUPON

This coupon expires with the 4th day after the close of the open season.

Licensee.....

Date.....

6. Form 3 of Ontario Regulation 229/63 is amended by adding at the end thereof the following:

Licence No.....

The Game and Fish Act, 1961-62

DEER SHIPPING COUPON

This coupon expires with the 4th day after the close of the open season.

Licensee.....

Date.....

7. Form 4 of Ontario Regulation 229/63 is amended by adding at the end thereof the following:

Licence No.....

The Game and Fish Act, 1961-62

MOOSE SHIPPING COUPON

This coupon expires with the 4th day after the close of the open season.

Licensee.....

Date.....

8. Form 5 of Ontario Regulation 229/63 is amended by adding at the end thereof the following:

Licence No.....

The Game and Fish Act, 1961-62

DEER OR MOOSE SHIPPING COUPON

This coupon expires with the 4th day after the close of the open season.

Licensee.....

Date.....

9. Form 9 of Ontario Regulation 229/63 is amended by adding at the end thereof the following:

Licence No.....

The Game and Fish Act, 1961-62

DEER SHIPPING COUPON

This coupon expires with the 4th day after the close of the open season.

Licensee.....

Date.....

10. Form 11 of Ontario Regulation 229/63 is amended by adding at the end thereof the following:

Licence No.....

The Game and Fish Act, 1961-62

DEER SHIPPING COUPON

This coupon expires with the 4th day after the close of the open season.

Licensee.....

Date.....

11. Form 12 of Ontario Regulation 229/63 is amended by adding at the end thereof the following:

Licence No.....

The Game and Fish Act, 1961-62

DEER SHIPPING COUPON

This coupon expires with the 4th day after the close of the open season.

Licensee.....

Date.....

Licence No.....

The Game and Fish Act, 1961-62

MOOSE SHIPPING COUPON

This coupon expires with the 4th day after the close of the open season.

Licensee.....

Date.....

12. Ontario Regulation 229/63 is amended by adding thereto the following Form:

Form 1A

The Game and Fish Act, 1961-62

19....

APPLICATION FOR A FARMER'S LICENCE TO HUNT BEAR AND DEER

.....
(print—family or surname)

.....
(print—given names)

Residence Address.....
(street and number, or

.....
lot, concession and township)

.....
(city, town or village)-(county or district)

Colour of Hair..... Colour of Eyes....

Weight....lbs. Height....ft.....ins.

Date of Birth: (Month).....

(Day).....(Year).....

I have resided in Ontario for a period of months during the twelve months immediately preceding the date of this application.

My chief occupation is farming and I,

*(a) live upon and till land in the County or Territorial District of

.....
which I own or am entitled to possession of for the time being.

*(b) am a *bona fide* settler engaged in clearing land in the County or

Territorial District of.....
for the purpose of bringing it to a state of cultivation.

* I have not previously been issued a hunting licence by a competent authority in any jurisdiction.

*Strike out where not applicable

* Filed with this application is certificate dated the day of, 19...., issued by, an instructor in hunter training.

I have been issued a hunting licence by a competent authority in (province, state or country) of in the year(s)

I cannot produce any of such licences for the following reason:

.....

Dated this day of, 19.....

Signed in the presence of

(person issuing the licence)

..... (signature of applicant)

(1665)

52

THE DEPARTMENT OF EDUCATION ACT

O. Reg. 329/64.
 Grade 13 Departmental Examinations.
 Made—October 14th, 1964.
 Approved—December 10th, 1964.
 Filed—December 16th, 1964.

REGULATION MADE UNDER THE DEPARTMENT OF EDUCATION ACT

1. Section 1 of Regulation 85 of Revised Regulations of Ontario, 1960, as amended by section 1 of Ontario Regulation 34/62, is further amended by adding thereto the following clauses:

- (h) "three-hour paper" means a question paper to be answered in an examination period of three hours' duration;
- (i) "two-hour paper" means a question paper to be answered in an examination period of two hours' duration.

2.—(1) Subsections 1 and 2 of section 13 of Regulation 85 of Revised Regulations of Ontario, 1960, as remade by section 3 of Ontario Regulation 113/64, are revoked and the following substituted therefor:

QUESTION PAPERS

- (1) One three-hour paper shall be set in each of English, Français, French, German, Latin, Greek, Spanish, Italian, Russian, and problems.
- (2) One two-hour paper shall be set in each of history, algebra, geometry, trigonometry and statics, physics, chemistry, botany, zoology, music, mathematics of investment, accountancy practice, secretarial practice, geography and art.

(2) Subsection 3 of the said section 13, as made by section 3 of Ontario Regulation 144/61, is revoked and the following substituted therefor:

- (3) The question paper in Latin shall be set in English and in French.

3. Section 15 of Regulation 85 of Revised Regulations of Ontario, 1960 is amended by striking out "literature" where it occurs in the first line and in the third line.

4. Subsection 2 of section 16 of Regulation 85 of Revised Regulations of Ontario, 1960, as remade by section 4 of Ontario Regulation 113/64, is amended by striking out "authors" in the first line.

5. Subsection 2 of section 27 of Regulation 85 of Revised Regulations of Ontario, 1960, as amended by section 4 of Ontario Regulation 52/63, is amended by striking out "authors" in the first line.

6. Clause *d* of section 41 of Regulation 85 of Revised Regulations of Ontario, 1960, as remade by section 7 of Ontario Regulation 113/64, is amended by striking out "authors" in the second line.

7. Clause *a* of subsection 1 of section 75 of Regulation 85 of Revised Regulations of Ontario, 1960, as remade by section 1 of Ontario Regulation 10/62, is revoked and the following substituted therefor:

- (a) (i) \$300 where the Minister appoints two examiners-in-chief to set a three-hour paper,
- (ii) \$500 where the Minister appoints one examiner-in-chief to set a three-hour paper,
- (iii) \$125 where the Minister appoints four examiners-in-chief to set a three-hour paper,
- (iv) \$300 where the Minister appoints one examiner-in-chief to set a two-hour paper, and
- (v) \$150 where the Minister appoints two examiners-in-chief to set a two-hour paper.

WILLIAM G. DAVIS,
Minister of Education.

TORONTO, October 14th, 1964.

(1684)

52

THE DEPARTMENT OF EDUCATION ACT

O. Reg. 330/64.
 Grade 12 Departmental Examinations.
 Made—October 30th, 1964.
 Approved—December 10th, 1964.
 Filed—December 16th, 1964.

REGULATION MADE UNDER THE DEPARTMENT OF EDUCATION ACT

1. Clause *b* of section 1 of Ontario Regulation 235/63 is revoked and the following substituted therefor:

- (b) "Grade 12 examinations" means Grade 12 Departmental examinations in the subjects of Grades 11 and 12 of the courses of study designated in section 4 of Ontario Regulation 142/61;

2. Clause *b* of subsection 1 of section 5 of Ontario Regulation 235/63 is revoked and the following substituted therefor:

- (*b*) in the case of Mathematics: Mathematics, Part I or Mathematics, Part II or Mathematics, Part I and Mathematics, Part II;

3. Section 5 of Ontario Regulation 235/63 is amended by adding thereto the following subsection:

- (3) One question paper shall be set in one or more of the subjects of the technical course, as the Minister may determine.

4.—(1) Subsection 1 of section 6 of Ontario Regulation 235/63 is revoked and the following substituted therefor:

- (1) The Minister shall appoint a committee consisting of,
 - (*a*) in the case of subjects of the general course, a secondary-school inspector and four secondary-school teachers; and
 - (*b*) in the case of a group of five subjects of the technical course, a secondary-school inspector and ten secondary-school teachers,

to set each question paper and to prepare the marking scheme.

(2) Subsection 3 of the said section 6 is revoked and the following substituted therefor:

- (3) Each member of the committee, including the chairman, shall be paid \$150 for his services under subsection 1.

WILLIAM G. DAVIS,
Minister of Education.

Dated at Toronto, this 30th day of October, 1964.

(1685)

52

THE ENERGY ACT

O. Reg. 331/64.
Spacing Units—Township of Moore.
Made—December 17th, 1964.
Filed—December 18th, 1964.

**REGULATION MADE UNDER
THE ENERGY ACT**

1. Section 1 of Ontario Regulation 57/64 is revoked and the following substituted therefor:

- 1. This Regulation applies to lots 8, 9, 10 and 11 in Concession IV, lots 8, 9, 10, 11 and 12 in Concession V, and lots 10, 11 and 12 in Concession VI, all in the Township of Moore in the County of Lambton.

(1698)

52

THE PUBLIC HOSPITALS ACT

O. Reg. 332/64.
Hospital Loans.
Made—December 10th, 1964.
Filed—December 18th, 1964.

**REGULATION MADE UNDER
THE PUBLIC HOSPITALS ACT**

1. In this Regulation,

- (*a*) "loan" means a loan provided under section 5*a* of the Act; and
- (*b*) "renovation project" means a project to provide adequate accommodation therein by the major renovation or alteration of a hospital, an organized out-patient department, auxiliary-services accommodation, or any part thereof that has become obsolete or otherwise inadequate.

2.—(1) The Commission may make a loan for a renovation project to a Group B hospital having a total bed capacity greater than 660 and less than 675, located in a municipality with a population greater than 270,000 and less than 300,000.

(2) A loan under subsection 1 shall not exceed \$1,066,000.

(3) The term of a loan under subsection 1 shall be not greater than twenty years.

3. Interest on a loan shall be paid by a hospital to the Commission at the rate of 3 per cent per annum.

4.—(1) Before a loan is made to a hospital, the hospital shall enter into a loan agreement with the Commission.

(2) The agreement may provide for the payment of principal and interest by deductions by the Commission from payments made by the Commission to the hospital for the operating costs of the hospital.

(3) The agreement shall provide,

- (*a*) the term of the loan;
- (*b*) the interest on the loan;
- (*c*) for the payment at any time, at the option of the hospital, of earned interest and the accelerated repayment of principal, in all or in part, without notice or bonus; and
- (*d*) a list of the sources of funds from which the hospital undertakes to repay the loan and the interest thereon.

5. This Regulation expires on the 31st day of December, 1964.

(1699)

52

Publications Under The Regulations Act

January 2nd, 1965

THE ENERGY ACT, 1964

O. Reg. 333/64.
Natural and Manufactured Gas Code.
Made—December 10th, 1964.
Filed—December 11th, 1964.

NOTE: *This Regulation does not come into operation until The Energy Act, 1964 is proclaimed in force.*
See R.S.O. 1960, c. 191, s. 5.

REGULATION MADE UNDER THE ENERGY ACT, 1964

NATURAL AND MANUFACTURED GAS CODE

1. Sections 1 and 2 of the code of standards made by the Canadian Standards Association contained in the publication entitled Installation Code for Gas Burning Appliances and Equipment and numbered CSA B149-1962 are adopted with the following changes:

1. The revision of the list of reference publications on page 12 as follows:

American Standards (ASA) B2. 1-1960—Pipe Threads

2. The addition of the following definitions to Clause 1.2:

Container means either a cylinder or a tank.

Cylinder means a container designed and fabricated in accordance with the specifications of BTC or ICC for the storage and transportation of LP-Gas.

Tank means a container designed and fabricated in accordance with the specifications of CSA Standard B51 for the storage and transportation of LP-Gas.

Valves:

Manual reset gas valve means an automatic shut-off valve installed in the gas supply piping and set to shut-off when unsafe conditions occur. The device remains closed until manually re-opened.

Safety shut-off gas valve means a valve which automatically and completely shuts off the supply of fuel through the functioning of a flame safe-guard control or a safety limiting device.

Lubricated plug type valve means a valve of the plug and barrel type provided with means for maintaining a lubricant between the bearing surfaces. It is designed so that the lapped bearing surfaces can be lubricated and the lubricant level maintained without removing the valve from service. The construction is such that the lubricant can be reservoired so as to be distributed evenly over the lapped bearing surfaces of the valve when the plug member is rotated.

3. The deletion of the heading of clause 1.4 and the substitution of the following therefor:

1.4 Installation of Gas Piping and Fittings Extending From the Termination of the Gas Distributor's Piping.

4. The deletion of clauses 1.4.1, 1.4.1.1 and 1.4.1.2 and the substitution of the following therefor:

1.4.1 Required Gas Piping Size.

1.4.1.1 Capacities in cubic feet per hour of 0.60 specific gravity gas for different sizes and lengths of pipe are shown in Tables 1.1 and 1.1a. Table 1.1 is based upon a pressure drop of 0.3 inch water column, whereas Table 1.1a is based upon a pressure drop of 0.5 inch water column. In using these tables no allowance is necessary for an ordinary number of fittings. The serving gas supplier shall designate whether Table 1.1 or Table 1.1a shall be used.

1.4.1.2 The minimum size of pipe from the gas meter to the drop or riser of any central heating appliance, unit heater, or similar heating appliance of input of 76,000 Btu per hour or more shall be 1 inch in diameter and the drop or riser shall be not less than $\frac{3}{4}$ inch in diameter.

TABLE 1.1
MAXIMUM CAPACITY OF PIPE IN CUBIC FEET OF GAS PER HOUR

(Based upon a Pressure Drop of 0.3 Inch Water Column and 0.6 Specific Gravity Gas)

Length in Feet	Nominal Iron Pipe Size, Inches								
	½	¾	1	1¼	1½	2	2½	3	4
10	132	278	520	1,050	1,600	3,050	4,800	8,500	17,500
20	92	190	350	730	1,100	2,100	3,300	5,900	12,000
30	73	152	285	590	890	1,650	2,700	4,700	9,700
40	63	130	245	500	760	1,450	2,300	4,100	8,300
50	56	115	215	440	670	1,270	2,000	3,600	7,400
60	50	105	195	400	610	1,150	1,850	3,250	6,800
70	46	96	180	370	560	1,050	1,700	3,000	6,200
80	43	90	170	350	530	990	1,600	2,800	5,800
90	40	84	160	320	490	930	1,500	2,600	5,400
100	38	79	150	305	460	870	1,400	2,500	5,100
125	34	72	130	275	410	780	1,250	2,200	4,500
150	31	64	120	250	380	710	1,130	2,000	4,100
175	28	59	110	225	350	650	1,050	1,850	3,800
200	26	55	100	210	320	610	980	1,700	3,500

TABLE 1.1(a)

MAXIMUM CAPACITY OF PIPE IN CUBIC FEET OF GAS PER HOUR

(Based upon a Pressure Drop of 0.5 Inch Water Column and 0.6 Specific Gravity Gas)

Length in Feet	Nominal Iron Pipe Size, Inches								
	½	¾	1	1¼	1½	2	2½	3	4
10	175	360	680	1,400	2,100	3,950	6,300	11,000	23,000
20	120	250	465	950	1,460	2,750	4,350	7,700	15,800
30	97	200	375	770	1,180	2,200	3,520	6,250	12,800
40	82	170	320	660	990	1,900	3,000	5,300	10,900
50	73	151	285	580	900	1,680	2,650	4,750	9,700
60	66	138	260	530	810	1,520	2,400	4,300	8,800
70	61	125	240	490	750	1,400	2,250	3,900	8,100
80	57	118	220	460	690	1,300	2,050	3,700	7,500
90	53	110	205	430	650	1,220	1,950	3,450	7,200
100	50	103	195	400	620	1,150	1,850	3,250	6,700
125	44	93	175	360	550	1,020	1,650	2,950	6,000
150	40	84	160	325	500	950	1,500	2,650	5,500
175	37	77	145	300	460	850	1,370	2,450	5,000
200	35	72	135	280	430	800	1,280	2,280	4,600

5. The deletion of clause 1.4.2.

6. The addition of the following clauses:

1.4.7.3 Job fabricated fittings shall not be used except in the case of branch take-offs and are not permitted in residential installations for any purpose.

1.4.7.4 Prefabricated welded fittings shall be used in pipe runs of pipe size 2½ inches and above except in the case of branch take-offs.

1.4.7.5 Welded branch connections may be connected to header or manifold piping of 2½ inch diameter or greater. Branch connection piping diameter must not exceed 50 per cent of the header or manifold pipe diameter size.

1.4.7.6 All welding shall be done in accordance with Ontario Regulation 334/64.

7. The revision in clause 1.4.9.1 of the reference date from 1945 to 1960.

8. The deletion of clause 1.4.25. 2 and the substitution of the following therefor:

1.4.25.2 Accessibility. Piping shall not be run in inaccessible or concealed spaces where it cannot be inspected and tested for leaks in its final position prior to being concealed, or where undetected leakage might cause dangerous accumulation of gas.

9. The deletion of clause 1.4.27.2 and the substitution of the following therefor:

1.4.27.2 No pipe smaller than $\frac{1}{2}$ inch shall be used except to serve appliances located outdoors where copper tubing may be used. Such copper tubing shall comply with the specifications set out in Section 3 of this Code and shall be sized in accordance with Tables 3.2 and 1.2. Iron pipe and steel tubing may also be used to supply gas to appliances located outdoors.

10. The addition of the following clauses:

1.4.28.4 A spring loaded cock shall be installed in such a manner as to prevent its plug being accidentally lifted off its seat.

1.4.28.5 Quick-disconnect couplings shall not take the place of manual shut-off valves.

11. The deletion of clause 1.4.30.1 and the substitution of the following therefor:

1.4.30.1 Pressure testing or leak testing of piping systems. All piping shall be tested after assembly either before appliances are connected or after appliances are connected in accordance with at least one of the following methods:

(a) Before Appliances are Connected.

Piping systems shall be tested with a pressure of at least 3 psig or one and one-half times the working pressure, whichever is the greater, and shall retain the test pressure for not less than ten minutes. Pressure shall be measured with a mercury manometer or slope gauge, or an equivalent device calibrated in increments not greater than one tenth of one pound. The source of pressure shall be isolated, before the pressure tests are made;

(b) After Appliances are Connected.

(i) Checking for Leakage Using the Gas Meter. After the meter has been tested, testing for leakage shall be done by marking the glass opposite the indicator on the meter test dial and observing for movement, if any, of the indicator for a period not less than ten minutes. A satisfactory test is one where no movement is observed,

(ii) Checking for Leakage not using the Gas Meter. Checking for leakage, in other than undiluted liquefied petroleum gas applications, shall be done by connecting to the piping system a manometer or equivalent device so calibrated as to be read in increments not greater than 0.1 inch water column. The system shall retain a test pressure equivalent, at least, to the operating pressure for a period of not less than ten minutes. The source of pressure shall be isolated before the pressure tests are made.

12. The deletion of clauses 1.4.32.1, 1.4.32.2 and 1.4.32.3 and the substitution of the following therefor:

1.4.32.1 After the piping system has been leak-tested, the piping system shall be fully purged by or in the presence of a registered gas fitter in the manner prescribed by clause 1.4.32; each branch supply line shall be purged as close as is practicable to the end farthest from the point of entry of the gas.

1.4.32.2 Where purging is being done,

(a) smoking shall not be permitted;

(b) maximum precautions shall be taken with all sources of ignition.

1.4.32.3 The piping supplying an appliance with an open top burner shall be purged at an open top burner and the purged gas shall be burned at the burner by means of a lighted taper.

1.4.32.4 The piping supplying an appliance having a combustion chamber shall be purged at the outlet of the pilot valve after the pilot piping has been disconnected.

13. The deletion of clause 1.5.1.1 and the substitution of the following therefor:

1.5.1.1 Appliances shall be installed in a location where facilities for ventilation permit satisfactory combustion of gas, proper venting and maintenance of ambient temperature at safe limits. Appliances shall be located in such a manner as not to interfere with proper circulation of air within the confined space. When buildings are so tightly sealed that infiltration does not meet the air requirements, outside air shall be introduced. Ducts used to convey make-up air from the outdoors shall be of the same cross-sectional area as the free area of the opening to which they connect. The minimum dimension of rectangular ducts shall not be less than 3 inches. Where ducts are used, the inlet air duct shall terminate approximately 18 inches above floor level.

Where a number of appliances are installed in a single enclosure having a combined input exceeding 400,000 Btu per hour, the combustion air requirements may be calculated in accordance with clause 2.5.

14. The deletion of clause 1.5.1.3.1 and the substitution of the following therefor:

1.5.1.3.1 The confined space shall be provided with two permanent openings, the lower of which shall be located not more than 6 inches above the floor level and the other shall be located not lower than the level of the draft hood relief opening. Each opening shall have a free area of not less than one square inch per 1,000 Btu per hour of the total input rating of all appliances in the enclosure, freely communicating with interior areas having in turn adequate infiltration from the outside. (See Figure 1.1.)

15. The deletion of clause 1.5.1.3.2 and the substitution of the following therefor:

1.5.1.3.2 All Air From Outdoors. The confined space shall be provided with two permanent openings, the lower of which shall be located not more than 6 inches above floor level and the other shall be located not lower than the level of the draft hood relief opening. The openings shall communicate directly, or by means of ducts, with outdoors. (See Figures 1.2 and 1.3.) When directly communicating with outdoors or by means of vertical ducts, each opening shall leave a free area of not less than one square inch per 4,000 Btu per hour of total input rating of all appliances in the enclosure. If horizontal ducts are used, each opening shall have a free area of not less than one square inch per 2,000 Btu per hour of total input of all appliances in the enclosure.

16. The deletion of clause 1.5.1.7.1 and the substitution of the following therefor:

1.5.1.7.1 Requirements. Every vented appliance requiring a neutral pressure for operation, except incinerators, dual oven type combination ranges, appliances with sealed combustion chambers, and units designed for power burners or for forced venting shall be installed with a draft hood. The draft hood supplied with or forming a part of listed vented appliances shall be installed without alteration, exactly as furnished and specified by the appliance manufacturer. If a draft hood is not supplied by the appliance manufacturer when one is required, it shall be supplied by the installing agency and be of a listed or approved type, and in the absence of other instructions shall be the same size as the appliance flue collar. When a draft hood is required with a conversion burner, it shall be of a listed or approved type supplied by the installing agency. When the installer determines that a draft hood of special design is needed or preferable for a particular installation, advice of the gas distributor or authority having jurisdiction shall be obtained.

17. The deletion of clause 1.5.4.4 and the substitution of the following therefor:

1.5.4.4 Size of Gas Vent or Chimney. The gas vent or chimney, where connected to a single appliance, shall not be smaller than the size of the draft hood outlet, or shall comply with Figures 1.4(b) or 1.4(c) or clause 1.5.8. When more than one appliance is connected to a gas vent or chimney the area of the passageway shall be not less than the area of the largest vent connector plus 50 per cent of the areas of additional vent connectors, or as provided in Figures 1.6(b) or 1.6(c) or as provided in clause 1.5.8.

Any shaped gas vent may be used, provided its venting capacity is equal to the capacity of round pipe for which it is substituted and the minimum internal dimension of the gas vent is not less than 2 inches, but in no case shall the area be less than the area of a 3-inch diameter pipe. (See Table 1.6.)

18. Delete Figure 1.3 and substitute the following therefor:

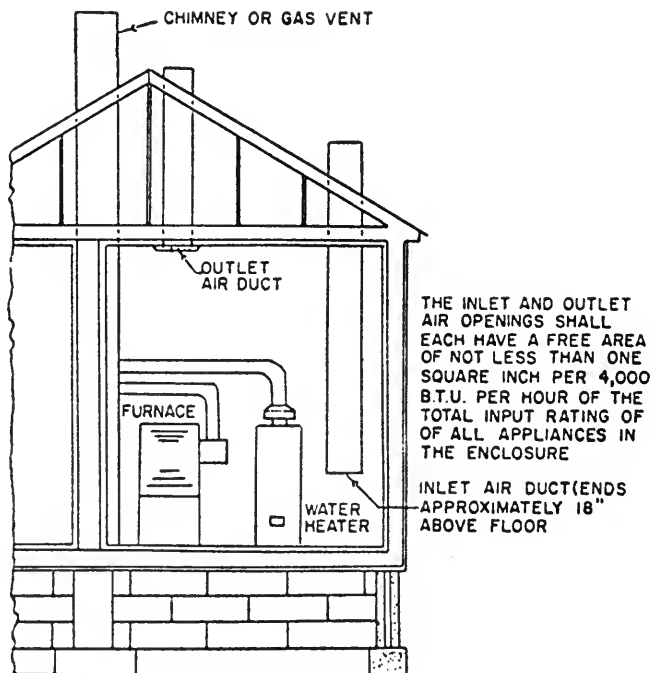


FIGURE 1.3

19. Delete Figure 1.4 and replace with Figures 1.4(a), 1.4(b), and 1.4(c).

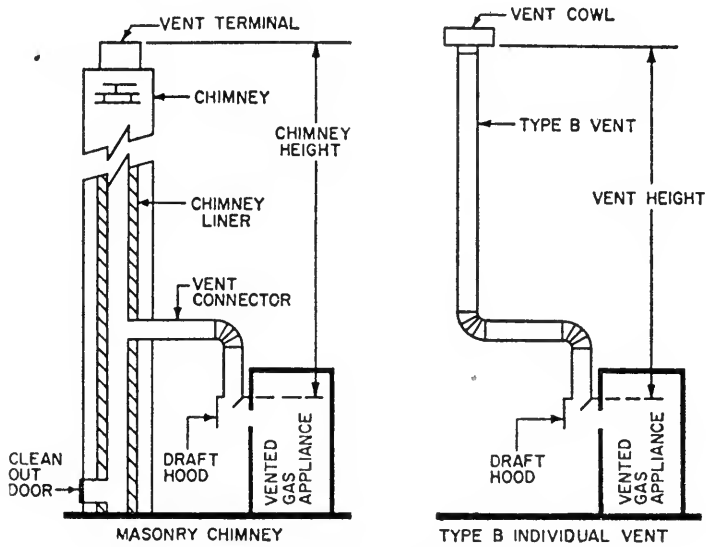


FIGURE 1.4(a)

BASIC COMPONENTS OF NATURAL DRAFT VENT SYSTEMS FOR SINGLE APPLIANCES

Total Height, Feet H	Total Lateral Length, Feet L	MAXIMUM ALLOWABLE HEAT INPUT (Appliance Rated Input Thousands of Btu Per Hour)								Total Lateral Length, Feet L
		VENT DIAMETER D, INCHES								
		3	4	5	6	7	8	10	12	
6	0	45	81	182	192	260	344	540	790	0
	2	36	66	110	160	216	287	450	660	2
	5	34	63	104	151	208	275	442	650	5
8	0	50	91	149	216	297	396	610	920	0
	2	40	74	124	180	247	330	510	770	2
	5	38	71	117	170	236	317	504	760	5
	10	33	65	109	162	225	303	480	732	10
10	0	54	100	161	236	324	432	695	1030	0
	2	43	80	134	196	270	360	580	859	2
	5	41	77	127	185	258	346	572	846	5
	10	35	71	118	176	246	331	545	816	10
	15	31	64	105	167	234	321	534	792	15
15	0	60	110	180	266	362	500	800	1220	0
	2	49	89	150	222	302	416	665	1020	2
	5	45	85	142	210	289	400	655	1010	5
	10	39	78	132	200	274	382	625	970	10
	15	34	71	118	190	261	371	602	940	15
	20	20*	61	113	175	250	354	585	920	20
20	0	67	122	202	295	412	555	900	1370	0
	2	54	99	168	246	343	455	750	1140	2
	5	50	95	159	232	328	436	740	1125	5
	10	44	87	148	221	312	418	705	1090	10
	15	39	78	132	210	297	406	678	1050	15
	20	22*	68	126	194	284	387	660	1030	20
30	0	69	131	218	326	456	624	1030	1570	0
	2	57	106	181	272	380	520	860	1310	2
	5	53	101	171	257	363	500	848	1290	5
	10	46*	92	159	244	346	478	808	1250	10
	15	39*	84	142	232	329	464	778	1210	15
	20	23*	73*	136	214	315	442	756	1180	20
	30	107	185	276	400	705	1110	30
50	0	79*	146	246	364	516	702	1140	1750	0
	2	63*	118	205	303	430	585	955	1460	2
	5	60*	115*	194	296	411	561	942	1440	5
	10	52*	103*	180	272	391	538	895	1400	10
	15	44*	94*	161	259	372	521	865	1350	15
	20	..	82*	154*	239	356	496	841	1310	20
	30	121*	206*	313	450	783	1240	30

*Numbers followed by asterisk—possibility of continuous condensation depending on locality.

FIGURE 1.4(b)

DOUBLE WALL METAL VENT PIPE DESIGN TABLES FOR SINGLE APPLIANCES

NOTE: The entire vent system from draft hood to top, including vent cowl, shall be constructed of the same gas-designed vent material.

Total Height, Feet H	Vent Connector Horizontal, Length, Feet L	MAXIMUM ALLOWABLE HEAT INPUT (Appliance Rated Input Thousands of Btu Per Hour)								Vent Connector Horizontal, Length, Feet L
		VENT CONNECTOR DIAMETER D, INCHES								
		3	4	5	6	7	8	10	12	
6	2	28	52	86	130	180	247	400	580	2
	5	25*	48	81	118	164	230	375	560	5
8	2	29	55	93	145	197	265	445	650	2
	5	26*	51	87	133	182	246	422	638	5
	10	22*	44*	79	123	169	233	400	598	10
10	2	31	61	102	161	220	297	490	722	2
	5	28*	56	95	147	203	276	465	710	5
	10	24*	49*	86	137	189	261	441	665	10
	15	..	42*	79*	125	175	246	421	634	15
15	2	35*	67	113	178	249	335	560	840	2
	5	32*	61	106*	163	230	312	531	825	5
	10	27*	54*	96	151	214	294	504	774	10
	15	..	46*	87*	138	198	278	481	738	15
	20	73*	128*	184	261	459	706	20
20	2	38*	73	123	200	273	374	625	950	2
	5	35*	67*	115	183	252	348	594	930	5
	10	..	59*	105*	170	235	330	562	875	10
	15	95*	156	217	311	536	835	15
	20	80*	144*	202	292	510	800	20
30	2	41*	81*	136	215	302	420	715	1110	2
	5	..	75*	127*	196	279	391	680	1090	5
	10	..	66*	113*	182*	260	370	644	1020	10
	15	105*	168*	240*	349	615	975	15
	20	88*	155*	223*	327	585	932	20
	30	182*	281*	544	865	30
50	2	..	91*	160*	250	350*	475	810	1240	2
	5	149*	228*	321*	442	770	1220	5
	10	136*	212*	301*	420*	728	1140	10
	15	124*	195*	278*	395*	695	1090	15
	20	180*	258*	370*	660*	1040	20
	30	318*	610*	970	30

*Numbers followed by asterisk—possibility of continuous condensation depending on locality.

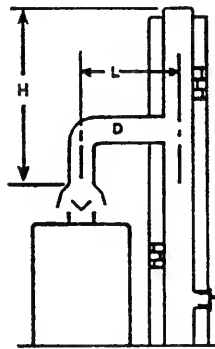
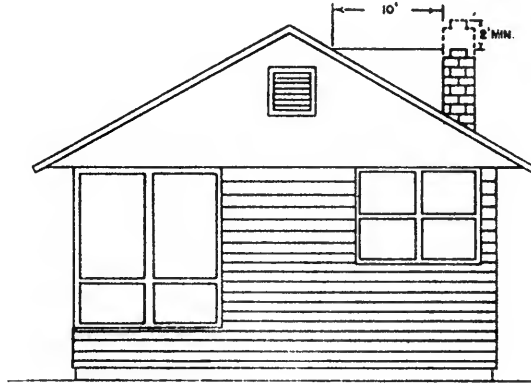


FIGURE 1.4(c)

MASONRY CHIMNEYS WITH SINGLE WALL PIPE VENT CONNECTOR DESIGN TABLES FOR SINGLE APPLIANCES

NOTE: Refer to Table 1.7 For Minimum Internal Chimney Diameter.

20. Add at the end of clause 1.5.4.5.2, "(see Figure 1.5)".
21. The deletion of clause 1.5.4.5.3 and the substitution of the following therefor:
- 1.5.4.5.3 Gas vents or chimneys shall terminate not less than 5 feet in vertical height above the highest connected appliance draft hood outlet or flue collar except as provided in clause 1.5.7.1.
22. Add to the two existing drawings in Figure 1.5 a new drawing as follows:



23. The deletion of clause 1.5.4.7 and the substitution of the following therefor:
- 1.5.4.7 Gas Vent or Chimney Serving Two or More Gas Appliances Having Draft Hoods. When two or more vent connectors enter a common vertical gas vent or chimney, the smaller connector shall enter at the highest level consistent with available headroom or clearance to combustible material, except that vent connectors from incinerators shall always be installed at the lowest level.
- When two or more gas appliances are vented through a common vent connector, the manifold shall be located at the highest level consistent with available headroom or clearance to combustible material.
- The manifold, all junction fittings and the common vent connector shall be of a size adequate for the combined volume of the vent gases.
24. The deletion of clause 1.5.6.2 and the substitution of the following therefor:
- 1.5.6.2 Size. Vent connectors shall not be smaller than the size of the flue collar or the draft hood outlet unless as provided in clause 1.5.8 or as provided by Figures 1.4(b) or 1.4(c) or 1.6(b) or 1.6(c). When the appliance has more than one draft hood outlet and in the absence of the appliance manufacturer's approved instructions, the vent connector shall equal the combined area of the draft hood outlets for which it acts as a common connector to the gas vent or chimney.
25. The deletion of clause 1.5.6.6 and the substitution of the following therefor:
- 1.5.6.6 Pitch. Vent connectors shall be installed without dips or sags.
26. The deletion of Tables 1.6 and 1.7 and the substitution of the following therefor:

TABLE 1.6

DIAMETERS IN INCHES OF ROUND FLUES AND VENTS THAT HAVE THE SAME FRICTION AND CAPACITY AS VARIOUS SIZES OF RECTANGULAR FLUES AND VENTS

		One Side of Rectangular Flue and Vent											
		Inches											
		3.0	3.5	4.0	4.5	5.0	5.5	6.0	7.0	8.0	9.0	10.0	11.0
One Side of Rectangular Flue and Vent, Inches	5.0			4.9	5.2	5.5							
	5.5		4.8	5.1	5.4	5.7	6.0						
	6.0		5.0	5.3	5.6	6.0	6.3	6.6					
	7.0	4.9	5.3	5.7	6.1	6.4	6.8	7.1	7.7				
	8.0	5.2	5.7	6.1	6.5	6.9	7.2	7.5	8.2	8.8			
	9.0		5.8	6.4	6.9	7.3	7.6	8.0	8.6	9.3	9.9		
	10.0				7.2	7.6	8.0	8.4	9.1	9.8	10.4	10.9	
	11.0					8.0	8.4	8.8	9.5	10.2	10.8	11.4	12.0
	12.0					8.3	8.7	9.1	9.9	10.7	11.3	11.9	12.5
	13.0						9.0	9.5	10.3	11.1	11.8	12.4	13.0
	14.0							9.8	10.7	11.5	12.2	12.9	13.5
	15.0								11.0	11.8	12.6	13.3	14.0
16.0									12.2	13.0	13.7	14.4	

TABLE 1.7

MINIMUM INTERNAL CHIMNEY DIAMETER

Vent Connector Pipe Diameter Inches	3	4	5	6	7	8	10	12
Minimum Internal Chimney Diameter, Inches (For rectangular shapes use the equivalent diameter given in Table 1.6)	5	5	6	7	8	9	11	13

27. The addition of the following figures:

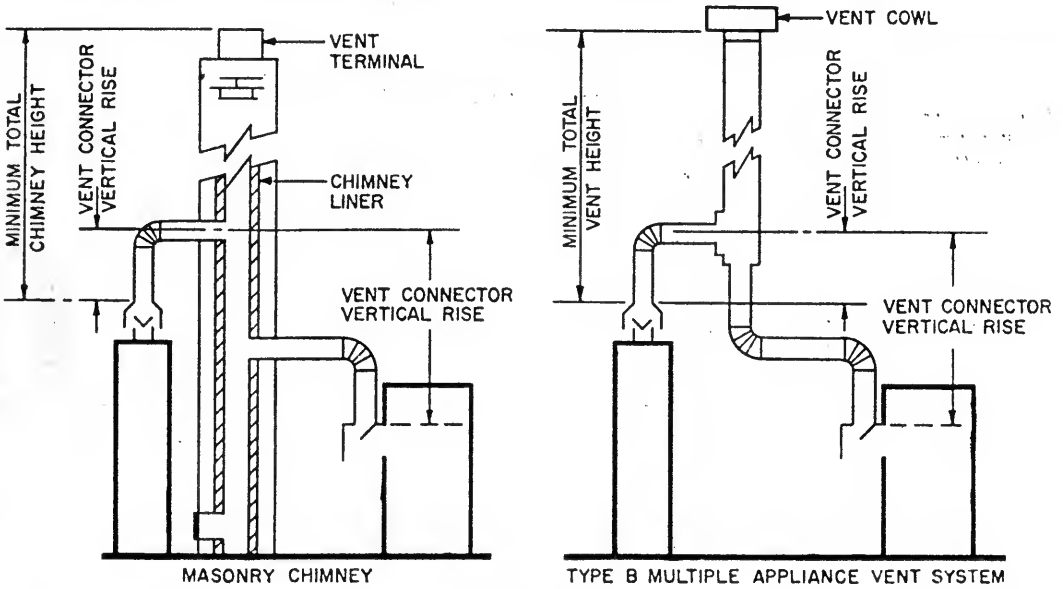


FIGURE 1.6(a)

BASIC COMPONENTS OF A MULTIPLE APPLIANCE VENT SYSTEM

Draft Hood Exit Opening Diameter, Inches	Vent Connector Configuration		Maximum Allowable Heat Input To Vent Connector, 1000 Btu per hour	
	Vertical Rise, Feet	Diameter, Inches	Scale 1	Scale 2
3	E	3	*	*
	1		23	26
	2		30	32
	3	35	37	
	E	4	31	37
	1		36	43
2	46		50	
3	53	57		
4	E	4	38	46
	1		45	52
	2		56	61
	3	64	69	
	E	5	58	72
	1		66	79
2	81		90	
3	91	98		
5	E	5	65	80
	1		76	88
	2		91	101
	3	102	110	
	1	6	106	125
	2		128	142
3	145		157	
6	1	6	115	136
	2		139	155
	3		158	171
	1	7	156	189
	2		184	213
	3		208	234
7	1	7	165	200
	2		195	236
	3		220	248
8	1	8	230	282
	2		260	310
	3		295	345

NOTES:

Scale 1,
Appliances located in utility room of single storey building.

Scale 2,
Appliances located in basement of single storey building and/or utility room of two or more storied building.

"E" indicates vertical rise curves for draft hoods with horizontal outlets and no additional rise, or vertical outlets with a 90 degree elbow and no additional rise.

COMMON VENT CAPACITY

Common Vent Diameter, Inches	Minimum Total Vent Height, Measured From Draft Hood Exit Opening, Feet						
	6	8	10	15	20	30	50
	Maximum Allowable Heat Input, 1,000 Btu per Hour (Combined Appliance Rated Input)						
4	52	60	65	76	86	97	*
5	84	95	104	122	140	158	185
6	120	136	151	178	204	237	275
7	165	190	207	246	284	328	395
8	220	250	272	325	380	442	550
10	345	395	440	520	605	705	890
12	*	570	640	760	890	1060	1320

*Numbers followed by an asterisk—possibility of continuous condensation depending on locality.

FIGURE 1.6(b)

MULTIPLE APPLIANCE VENT DESIGN TABLES FOR DOUBLE WALL METAL VENT PIPE

Draft Hood Exit Opening Diameter, Inches	Vent Connector Configuration		Maximum Allowable Heat Input To Vent Connector, 1000 Btu per hour	
	Vertical Rise, Feet	Diameter, Inches	Scale 1	Scale 2
3	E	3	*	*
	1		21	24
	2		28	30
	3		33	35
	E	4	27	33
	1		32	38
2	43		46	
3	50	55		
4	E	4	33	40
	1		39	49
	2		52	56
	3		60	66
	E	5	50	62
	1		59	69
2	75		82	
3	86	92		
5	E	5	56	70
	1		67	78
	2		84	92
	3		96	104
	1	6	92	111
	2		112	129
3	130		147	
6	1	6	100	121
	2		122	140
	3		141	160
	1	7	132	170
	2		161	191
	3		187	213
7	1	7	140	180
	2		170	202
	3		198	225
8	1	8	200	245
	2		230	275
	3		263	310

NOTES:

Scale 1,

Appliances located in utility room of single storey building.

Scale 2,

Appliances located in basement of single storey building or basement and/or utility room on first floor of two or more storied building.

"E" indicates vertical rise curves for draft hoods with horizontal outlets and no additional rise, or vertical outlets with a 90 degree elbow and no additional rise.

COMMON VENT CAPACITY

Chimney Internal Diameter or Equivalent Diameter, Inches	Minimum Total Vent Height, Measured From Draft Hood Exit Opening, Feet						
	6	8	10	15	20	30	50
	Maximum Allowable Heat Input, 1,000 Btu per Hour (Combined Appliance Rated Input)						
5	45	52	56	66	74	*	*
6	71	81	89	105	120	135	*
7	102	118	129	150	170	195	*
8	142	162	175	210	240	275	325
10	245	277	300	360	415	490	600
12	*	405	450	540	640	740	910

*Numbers followed by asterisk—possibility of continuous condensation depending on locality.

FIGURE 1.6(c)
MULTIPLE APPLIANCE VENT DESIGN
TABLES FOR MASONRY CHIMNEYS

28. The deletion of clause 1.5.6.7 and the substitution of the following therefor:

1.5.6.7 Length. The horizontal run of the vent connector shall be as short as possible and the appliance shall be located as near the gas vent or chimney as practicable.

29. The deletion of clause 1.5.6.13 and the substitution of the following therefor:

1.5.6.13 Manually operated dampers shall not be placed in any vent connector except by special permission in accordance with clause 1.3.6.

1.5.6.13.1 No device or attachment shall be installed which may in any way impair the combustion or safe venting of the combustion products.

30. The deletion of clause 1.5.7.2.1 and the substitution of the following therefor:

1.5.7.2.1 Gas vent and chimney exhausters of the power type may be used with gas appliances in lieu of natural draft vents. When an exhauster is used with gas appliances requiring venting, provisions shall be made to prevent the flow of gas to the main burner in the event of failure of the exhaust system. Where such exhausters are used with incinerators, the exhausters shall be of a type so that the products of combustion do not come in contact with moving parts of the exhauster.

31. The deletion of Table 1.9.

32. The deletion of clause 1.5.8 and the substitution of the following therefor:

1.5.8 Engineered Vent Systems. Venting systems sized in accordance with Engineered Venting Tables prepared by the manufacturer and guaranteed by the manufacturer to provide effective and satisfactory venting may be used in lieu of sizes specified in Figures 1.4(b), 1.6(b) and 1.6(c), subject to approval.

33. The addition of the following clause:

1.5.9 The Base Fitting of a Type "B" vent will be,

(a) an elbow or tee fitting of the same construction as the Type "B" vent; or

(b) a listed draft hood connector when the Type "B" vent connects directly to the appliance.

34. The deletion of clause 1.6.3 and the substitution of the following therefor:

1.6.3 Appliance Location. Unless directly vented to atmosphere, appliances shall be positioned as close as practicable to an existing chimney.

35. The deletion of clause 1.6.4.2 and the substitution of the following therefor:

1.6.4.2 Domestic Ranges may be connected to the piping with rigid pipe or an approved flexible connector.

Refrigerators may be connected to the piping with rigid pipe, approved flexible connectors or approved semi-rigid connectors.

Domestic Clothes Dryers may be connected to the piping with rigid pipe or approved (double wall construction) flexible connectors.

Commercial Counter Equipment & Deep Fat Fryers may be connected to the piping with rigid pipe or approved (double wall construction) flexible connectors, and an approved quick disconnect fitting may be used. The valve portion (supply end) of the quick disconnect fitting must be connected directly to the rigid piping. A manual shut-off valve must be installed in the piping in an accessible location as close as possible to the supply end of the quick disconnect fitting.

36. The deletion of clause 1.6.4.3 and the substitution of the following therefor:
 - 1.6.4.3 When semi-rigid tubing or flexible metal connectors are used they shall not pass through walls, floors or partitions but shall be connected to rigid pipe located in the same area as the appliance.
37. The addition of the following clause:
 - 1.6.9.5 Valves and regulators shall be separately vented, or if manifolded, the common manifold shall have an area equal to not less than twice the total area of the connected vents; except for relief valves which shall be separately vented.
38. The deletion of clause 1.7.1.2.2 and the substitution of the following therefor:
 - 1.7.1.2.2 Furnaces, unless approved for lesser clearances, shall be installed with a minimum vertical clearance of 3 inches. The jacket sides and rear 6 inches, and the front 24 inches. This does not apply to converted furnaces.
39. The deletion of clause 1.7.3.1.4 and the substitution of the following therefor:
 - 1.7.3.1.4 Duct furnaces used in conjunction with a refrigeration system shall not be located downstream from the evaporator coil except when the heating element of a furnace is composed of corrosion resistant material specifically approved for such operation.
40. The deletion of clause 1.7.5.1.1 and the substitution of the following therefor:
 - 1.7.5.1.1 Where furnaces having downward warm air discharge are marked "FOR INSTALLATION ON NON-COMBUSTIBLE FLOORS ONLY", such furnaces, where installed on, or passing through, combustible floors, shall be provided with a separate base certified as a component part of the furnace.
41. The deletion of clause 1.7.6. and the substitution of the following therefor:
 - 1.7.6. Sealed Combustion Units.
 - 1.7.6.1 Only space heaters and water heaters of sealed combustion chamber design shall be installed in bathrooms.
 - 1.7.6.2 Vent outlets from sealed units shall terminate a minimum of 18 inches from fresh air intakes or opening windows.
42. The deletion of clause 1.7.7 and the substitution of the following therefor:
 - 1.7.7 Vented Recessed Heaters.
43. The deletion of clause 1.7.7.1.2.
44. The deletion of clause 1.7.7.1.4 and the substitution of the following therefor:
 - 1.7.7.1.4 Only approved type BW vent shall be used on a vented recessed heater, unless the heater is additionally approved as a room heater.
45. The deletion of clause 1.7.8.1.1 and the substitution of the following therefor:
 - 1.7.8.1.1 Space heaters in sleeping rooms and in areas accessible to the public shall be of the fully enclosed and vented type equipped with a pressure regulator and 100 per cent safety shut-off control.
46. The deletion of clause 1.7.8.1.5.
47. The deletion of clause 1.7.8.2.2 and the substitution of the following therefor:
 - 1.7.8.2.2 Room heaters, unless approved for lesser clearance, shall be installed with the minimum clearance of 6 inches from combustible construction.
48. The deletion of clause 1.7.9.1.1 and the substitution of the following therefor:
 - 1.7.9.1.1 Water heaters unless of the sealed combustion chamber design shall not be installed in bathrooms or in bedrooms or other confined living areas in which sleeping accommodation is provided.
49. The deletion of clause 1.7.9.1.4 and the substitution of the following therefor:
 - 1.7.9.1.4 Water heaters shall be equipped with an approved temperature and pressure relief device installed in the side tapping provided by the manufacturer or in a vertical position as close as possible to the hot water outlet, the relief opening of which shall be piped to a level approximately 6 inches from the floor.

50. The deletion of clause 1.7.10.1.3 and the substitution of the following therefor:

1.7.10.1.3 A domestic range shall have a vertical clearance above the cooking top of not less than 30 inches to combustible construction. When the underside of such combustible construction is protected with asbestos millboard at least $\frac{1}{4}$ inch thick covered with sheet metal of not less than No. 28 Manufacturers' Standard Gauge, the distance shall be not less than 24 inches. The protection shall extend 9 inches beyond the sides of the range. When combustible material or metal cabinets above the cooking top of a domestic gas range are protected by a metal ventilating hood, the top of which is not less than 24 inches above the cooking top, and is insulated with at least $\frac{1}{4}$ inch thick asbestos millboard, such protection need not extend beyond the sides of the range.

51. The deletion of clause 1.7.11 and the substitution of the following therefor:

1.7.11 Construction Heaters. Construction heaters shall be of an approved type.

52. The deletion of clause 1.7.12.2 and the substitution of the following therefor:

1.7.12.2 The vertical distance between the top of a domestic hotplate or laundry stove and combustible construction shall be 30 inches.

53. The deletion of clause 1.7.13.1 and the substitution of the following therefor:

1.7.13.1 A clearance of 2 inches shall be provided between the back of the refrigerator and the wall and a minimum of 12 inches above the top unless approved for lesser clearances or ducts provide ventilation to the top and to the rear.

54. The deletion of clause 1.7.13.1.2.

55. The deletion of clause 1.7.14.1.2 and the substitution of the following therefor:

1.7.14.1.2 Moisture exhaust ducts shall not terminate immediately above or within 3 feet horizontally of a gas service regulator, or fresh air intake.

56. The deletion of clause 1.7.14.1.3 and the substitution of the following therefor:

1.7.14.1.3 Moisture exhaust ducts shall not be metal screwed and shall not be connected into a vent connector, gas vent or chimney.

57. The deletion of clause 1.7.14.1.4.

58. The deletion of clause 1.7.15.1.3 and the substitution of the following therefor:

1.7.15.1.3 A draft hood shall not be installed when venting an incinerator. Where draft control is required a barometric damper of the single-acting type shall be used.

59. The deletion of clause 1.7.15.1.4 and the substitution of the following therefor:

1.7.15.1.4 The vent pipe shall be a direct connection to a chimney through a separate thimble.

60. The deletion of clause 1.7.15.1.5 and the substitution of the following therefor:

1.7.15.1.5 Vent pipe shall have a minimum of 18 inches clearance from combustible construction, and shall not pass through combustible construction, except that it may pass through a wall or partition of combustible construction when guarded at the point of passage as specified in clause 1.5.6.14.

61. The deletion of clause 1.7.15.1.6 and the substitution of the following therefor:

1.7.15.1.6 The clearance above a charging door shall be not less than 48 inches from combustible construction.

62. The deletion of clause 1.7.16.2.1 and the substitution of the following therefor:

1.7.16.2.1 When installed in commercial and public garages, a minimum clearance of 8 feet shall be maintained between the base of the unit and the garage floor. Minimum clearance provision is to prevent vehicles from striking suspended unit heaters.

63. The deletion of clause 1.7.17.1.3 and the substitution of the following therefor:

1.7.17.1.3 Bracket and pendant fixtures shall have a minimum vertical clearance of 18 inches from the ceiling unless protection is provided and a minimum horizontal clearance of 5 inches is provided.

64. The addition of the following clauses:

1.7.20 Conversions.

1.7.20.1 Boiler and Furnace Clearances.

Clearance shall not be less than the minimum specified in clauses 1.7.1.2.1 and 1.7.1.2.2.

1.7.20.2 Cleaning, Inspection, and Repair.

Equipment to be converted shall be thoroughly cleaned, leak tested, examined for serviceability.

1.7.20.3 Conversion Burners.

1.7.20.3.1 Conversion burners shall be of the approved type.

1.7.20.3.2 Conversion burners shall be correctly positioned and firmly secured to eliminate direct flame impingement on metal sections.

1.7.20.4 Conversion of Reversible Flue Furnaces.

1.7.20.4.1 A furnace with reversible flue passes shall not be converted with an atmospheric burner except under any of the following circumstances:

- (a) when the centre line of the vent outlet collar is at least 12 inches above the burner ports;
- (b) the vent outlet is extended to permit installation of the diverter so that the relief opening is at least 12 inches above the highest flue pass; or
- (c) a by-pass at least 1 inch in diameter is connected to the top of the highest flue pass and extends through the outer casing terminating in the vent pipe. A direct draft damper may be used as an alternative to the above by-pass.

1.7.20.4.2 The extended vent outlet or by-pass shall be gas-tight and shall be constructed of metal not less in strength and corrosion resistance than the metal from which it is extended.

65. The deletion of clause 1.8.3.2 and the substitution of the following therefor:

1.8.3.2 Electric ignition systems shall ignite only a pilot except on approved factory assembled equipment.

66. The addition of the following clauses:

2.4.3 Where purging is being done and,

- (a) where there is electrical equipment, all automatic electric controls shall be de-energized and all manual electrical switches shall not be operated during the time of the purging operation or for a time of sufficient duration, after purging, to permit the dispersal of all combustible mixture;
- (b) where there is a fuel-burning or electrical appliance in operation, the fire shall be extinguished or the electrical appliance shall be de-energized for a sufficient length of time prior to purging to allow the appliance to cool to room temperature.

2.4.4 After the piping system has been pressure-tested and leak-tested, the piping system shall be fully purged under the supervision of a registered gas fitter using one of the following methods:

- (a) by a hose or temporary pipeline to the outside of the building, in which case there shall be a man in attendance at the end of the purging line;
- (b) by means of an approved purge burner; or
- (c) where piping of 4-inch iron pipe size or larger cannot be safely purged in accordance with paragraph *a* or *b*, the pipe shall be purged with carbon dioxide, nitrogen or a mixture of the two.

Each branch supply line shall be purged as close as is practicable to the end farthest from the point of entry of the gas.

67. The deletion of clause 2.5.1 and the substitution of the following therefor:

2.5.1 Where combustion air is provided for atmospheric burners by natural ventilation from the outside air, there shall be a permanent air supply inlet or inlets, having a total cross-sectional area not less than one square inch for each 4,000 Btu per hour of the total rated input of the burner or burners, up to a total input of 400,000 Btu per hour, and an additional area of not less than 1 square inch for each 14,000 Btu per hour of input in excess of 400,000 Btu per hour.

68. The addition of the following clause:

2.5.2 Where combustion air is provided by mechanical means and no barometric damper or draft hood is installed in the same room, the size of combustion air openings for inputs in excess of 400,000 Btu per hour shall be as follows:

- (a) where a duct is used from the opening to the burner, the free area of the opening and the duct shall be adequate to supply 14 cubic feet of air per hour at a velocity not in excess of 1,000 fpm through the opening for every 1,000 Btu per hour of gas being burned;
- (b) where a duct is not used from the opening to the burner, the free area of the opening shall be adequate to supply 14 cubic feet of air per hour at a velocity not in excess of 550 fpm through the opening for every 1,000 Btu per hour of gas being burned.

69. The deletion of clause 2.6.3.1 and the substitution of the following therefor:
- 2.6.3.1 Barometric Draft Dampers.
- Barometric draft dampers, where used, shall be of the double-acting type and shall be located so that the relief opening is not obstructed by any part of the equipment or adjacent construction.
70. The deletion of clause 2.6.3.2 and the substitution of the following therefor:
- 2.6.3.2 Automatic dampers shall be interlocked with gas burner control system to prevent hazardous operation in the event of mechanical failure.
71. The deletion of clause 2.9.2 and the substitution of the following therefor:
- 2.9.2 The pilot or pilots shall be adequate to assure safe and reliable ignition of the main burner.
72. The deletion of clause 2.9.5 and the substitution of the following therefor:
- 2.9.5 Response Time.
- 2.9.5.1 Response time of flame safeguard equipment to de-energize gas shut-off device on flame-failure shall not exceed:
- (a) for inputs between 400,000 Btu per hour and 1,000,000 Btu per hour—20 seconds;
- (b) for inputs over 1,000,000 Btu per hour—5 seconds; except as provided in clause 2.9.5.2.
- 2.9.5.2 Where a flame safe-guard is used in installations employing a gas-designed atmospherically fired unit with substantially unrestricted vertical flow of the products of combustion, the response timing to de-energize the gas shut-off device shall not exceed 90 seconds for lighter-than-air gases and 20 seconds for heavier-than-air gases for each burning unit having an input of 1,000,000 Btu per hour or less. If two or more such burner units are served by a single valve train, there shall be a supervisory pilot for each such unit which shall be wired in series to the automatic safety shut-off valve of the valve train serving those units.
73. The deletion of clause 2.9.8 and the substitution of the following therefor:
- 2.9.8 The input to a continuous pilot shall not exceed 3 per cent of the maximum input to the main burner or 20,000 Btu per hour whichever is the greater.
- NOTE: *Whether the pilot is continuous, intermittent, or interruptible, the size should never exceed the above.*
74. The deletion of clause 2.9.12 and the substitution of the following therefor:
- 2.9.12 When a continuous pilot is not used, the sequence of operation shall include an effective purge prior to the ignition cycle. The purge shall effect at least four air changes or the combustion zone and flue passages when the air flow is not less than 50 per cent of that required for the maximum input of the appliance. When determining the required air volume during purge it is not necessary to include the volume of the breeching or chimney.
75. The addition of the following clause:
- 2.9.13 Burners equipped with mechanical air supply and electric ignition shall be provided with a flow sensing device.
76. The deletion of clause 2.10.1 and the substitution of the following therefor:
- 2.10.1 Pilot lines shall be connected to the main gas supply line, upstream from all gas control valves and downstream from the manual shut-off valve. Where the main gas supply line is horizontal the pilot line shall be taken from the side or top of it.
77. The deletion of clause 2.11.1 and the substitution of the following therefor:
- 2.11.1 Each burner shall be equipped with a lubricated plug-type firing valve which clearly indicates the open and closed positions and which shall be placed downstream of all controls, except that it may be placed upstream of an input flow ratio control valve and shall be upstream of a fuel air mixing valve.
78. The addition of the following sentence to subclause (g) of clause 2.12.1:
- A diaphragm type valve which relies upon gas pressure for its closure is not considered to be a "fail safe" type.
79. The deletion of clause 2.13.1 and the substitution of the following therefor:
- 2.13.1 In all installations where the gas supply pressure is higher or may creep higher than that at which the burners are designed to operate, an equipment gas pressure regulator shall be installed, which shall maintain the gas pressure to the burner supply line within plus or minus 10 per cent of the operating pressure from maximum to minimum firing rates. These limitations do not apply to regulators known as "zero governors" used in connection with gas-air proportioning and mixing systems.
80. The deletion of clause 2.13.1.2 and the substitution of the following therefor:
- 2.13.1.2 Where a pressure regulator is required in clause 2.12.1 the gas supply to the pilot or the group of pilots shall be regulated by an approved gas pressure regulator independently of the main burner gas supply.
2. The installation, repair, service or removal of appliances for the use of natural or manufactured gas shall comply with the code of standards as adopted and changed by section 1.

THE ENERGY ACT, 1964

O. Reg. 334/64.

Transmission and Distribution Pipe Line Code.

Made—December 10th, 1964.

Filed—December 11th, 1964.

NOTE: *This Regulation does not come into operation until The Energy Act, 1964 is proclaimed in force. See R.S.O. 1960, c. 191, s. 5.*

REGULATION MADE UNDER
THE ENERGY ACT, 1964TRANSMISSION AND DISTRIBUTION
PIPE LINE CODE

INTERPRETATION

1. In this Regulation,

1. "ambient temperature" means the temperature of the surrounding medium;
2. "bar test survey" means a leakage survey made by driving or boring holes at regular intervals along the route of underground piping and testing the atmosphere in the holes with a combustible gas detector or other suitable device;
3. "bottle" means a gas-tight structure completely fabricated from pipe with integral drawn, forged or spun end closures;
4. "bottle-type holder" means a bottle or group of interconnected bottles installed in one location and used for the sole purpose of storing gas;
5. "butt-welded pipe" means pipe produced in individual lengths from out-length skelp, having its longitudinal butt joint forge welded by the mechanical pressure developed in drawing the furnace-heated skelp through a cone-shaped die which serves as a combined forming and welding die;
6. "cold expanded pipe" means seamless or welded pipe that is formed and then expanded in the pipe mill while cold so that the circumference is permanently increased by at least 0.50 per cent;
7. "cold-springing" means the fabrication of pipe to an actual length shorter than its nominal length, and forcing it into position so that it is stressed in the erected condition for the purpose of compensating partially for the effects produced by the expansion due to an increase in temperature, and "cold-spring factor" means the ratio that the difference between the actual fabricated length and the nominal length bears to the total computed temperature expansion;
8. "company" means a person, syndicate, partnership or corporation carrying on the business of transmitting or distributing gas;
9. "consumer's meter" means a meter that measures gas delivered to a consumer;
10. "continuous-welded pipe" means pipe that is produced in continuous lengths from coiled skelp and subsequently cut into individual lengths and that has its longitudinal butt joint forge welded by the mechanical pressure developed in rolling the hot-formed skelp through a set of round pass welding rolls;
11. "control piping" means piping used to interconnect air, gas or hydraulically operated control apparatus or instrument transmitters and receivers;
12. "design pressure" means the pressure a pipe line is designed to withstand as determined under this Regulation;
13. "electric-resistance-welded pipe" means pipe having a longitudinal butt joint wherein coalescence is produced by the heat obtained from the resistance of the pipe to the flow of electric current in a circuit of which the pipe is a part, and by the application of pressure;
14. "gas" does not include liquefied petroleum gas in liquid form;
15. "gas detector survey" means a leakage survey made by testing with a combustible gas detector the atmosphere in all locations where a leak can be detected;
16. "ground temperature" means the temperature of the earth at pipe depth;
17. "high-pressure piping system" means a piping system that operates at a pressure higher than that of a low-pressure piping system;
18. "hoop stress" means the stress in a pipe wall, acting circumferentially in a plane perpendicular to the longitudinal axis of the pipe and produced by the pressure of fluid in the pipe;
19. "hot tap" means a branch piping connection made to a pipe line or other facility while it is in operation;
20. "instrument piping" means piping used to connect instruments to a pipe line, to other instruments and apparatus or to measuring equipment;
21. "lap-welded pipe" means pipe having a longitudinal lap joint made by the forge-welding process wherein coalescence is produced by heating the preformed tube to welding temperature and passing it over a mandrel located between two welding rolls that compress and weld the overlapping edges;
22. "leakage survey" means a systematic survey made for the purpose of locating leaks in a pipe line;
23. "length" means a piece of pipe of the length delivered from the supplier;
24. "low-pressure piping system" means a piping system in which the pressure of the gas is substantially the same as that of the gas delivered to the consumers' appliances;
25. "maximum actual operating pressure" means the maximum operating pressure existing in a pipe line during a year's operation;

26. "maximum allowable hoop stress" means the hoop stress being $\frac{PD}{2t}$ as determined by the formula in section 49;
27. "maximum allowable operating pressure" means the maximum pressure at which a pipe line may be operated in accordance with this Regulation;
28. "monitoring regulator" means a pressure regulator installed in series with another pressure regulator for the purpose of automatically taking over the control of the pressure downstream when that pressure exceeds a predetermined maximum;
29. "nominal wall thickness" means the wall thickness required for the purpose of design under this Regulation;
30. "operating stress" means the stress under normal operating conditions;
31. "overpressure protective device" means a device or equipment installed for the purpose of preventing pressure from exceeding a predetermined value;
32. "pipe container" means a gas-tight structure assembled from pipe and end closures;
33. "pipe line" means a pipe for the transmission or distribution of gas and includes the valves and fittings thereof;
34. "pipe-type holder" means a pipe-container or group of interconnected pipe-containers installed at one location and used for the sole purpose of storing gas;
35. "piping" means gas piping and includes the valves and fittings thereof;
36. "piping system" means a system of connected pipe lines;
37. "pressure" unless otherwise stated is measured in pounds per square inch above atmospheric pressure, designated as psig;
38. "pressure limiting station" means equipment that under abnormal conditions acts to reduce, restrict or shut off the supply of gas flowing into a pipe line in order to prevent the gas pressure from exceeding a predetermined value;
39. "pressure regulating station" means equipment installed for the purpose of automatically reducing and regulating the pressure downstream in the pipe line to which it is connected;
40. "pressure relief station" means equipment installed to vent gas from a pipe line in order to prevent the gas pressure from exceeding a predetermined limit;
41. "sample piping" means piping used for the collection of samples of gas, steam, water or oil;
42. "secondary stress" means stress created in the pipe wall by loads other than internal fluid pressure;
43. "service line" means the pipe line that runs between another pipe line and a consumer's meter;
44. "service regulator" means a regulator installed on a gas service to control the pressure of the gas delivered to the consumer;
45. "service shut-off" means a valve or cock located in a service line and does not include a valve in a meter box that permits the meter to be by-passed;
46. "specified minimum elongation" means the elongation produced in a test for tensile strength, expressed as a percentage of the gauge length;
47. "specified minimum yield strength" means the yield strength required for the purpose of design under this Regulation, measured in pounds per square inch, designated as psi;
48. "stop valve" means a valve installed for the purpose of stopping the flow of fluid in a pipe;
49. "stress" means the resultant internal force that resists change in the size or shape of a body acted on by external forces, measured in pounds per square inch, designated as psi;
50. "tensile strength" means the highest unit tensile stress referred to the original cross-section that a material can sustain before failure, measured in pounds per square inch, designated as psi;
51. "vegetation survey" means a leakage survey made for the purpose of finding leaks in a pipe line by observing vegetation;
52. "yield strength" means the strength at which a material exhibits a specified limiting permanent set or produces a specified total elongation under load.

APPLICATION

2. This Regulation does not apply to,
- (a) piping installed to withstand metal temperatures above 450° F.;
 - (b) piping beyond the outlet of a consumer's meter;
 - (c) piping in oil refineries or natural gas extraction plants, gas treating plant piping other than the main gas stream piping in dehydration and all other processing plants installed as part of a piping system, gas manufacturing plant, industrial plant or mine;
 - (d) casing and tubing in gas or oil wells and well-head assemblies, including control valves, and pipe lines between a wellhead and a trap or separator;
 - (e) heat exchangers; and
 - (f) pipe lines for oil or other liquids.

PART I

GENERAL

3. No person shall construct, erect, alter, install or remove pipe lines, plant, machinery or equipment for the transmission or distribution of gas except in accordance with this Regulation.

4. The requirements of this Regulation are minimum requirements only, and the substitution of other measures that are at least equivalent thereto in all respects shall be deemed to be compliance therewith.

REPORTS AND RECORDS

5.—(1) Every company shall file with the Department its plan in writing of operating and maintenance procedures required by section 162.

(2) Every company shall file with the Department any modification made to its plan of operating and maintenance procedures immediately the modification is made.

6. Every company shall maintain records of all leakage surveys made under section 165 for seven years.

7. Every company shall,

(a) conduct a survey of the work required to be done to comply with subsection 1 of section 140 and shall report thereon to the Department together with its plans and schedule for completing the work; and

(b) report to the Department the work completed in each month not later than the tenth day of the following month.

8. Every company shall, at the beginning of its fiscal year, make a report to the Department showing the proposed amount and general description of the pipe lines it proposes to install during the fiscal year, subdivided into divisions or districts.

9. Every company shall file with the Department plans to scale of all its pipe lines used primarily for transmitting gas constructed since the 1st day of January, 1957, showing the location thereon of all valves and other works pertaining thereto.

10. Every company shall make and maintain, available for inspection by an inspector, at a maintenance or operating office or shop near the location of the pipe line, plans of its pipe lines and service lines showing the location thereon of all valves and other works pertaining thereto.

11. Every company shall file with the Department its current typical plans, typical construction specifications and typical material specifications for the construction of all types of pipe lines and consumer meter and consumer regulator settings.

12.—(1) Every company shall, upon the request of an inspector, make available for inspection any plan, survey, specification, procedure, record, report or radiographic examination required to be kept or maintained by the company under this Regulation.

(2) Radiographic examination results shall be kept for a minimum of two years from the date of completion of the pipe line or installation.

PART II

MATERIALS AND EQUIPMENT

13. All material that becomes a part of a piping system shall be suitable and safe for the conditions under which it is used.

14.—(1) Materials with specifications other than those required by this Regulation may be used only where the material is at least equivalent in all respects to the specifications required.

(2) Material with specifications that are not at least equivalent in all respects to the specifications required by this Regulation shall not be used unless,

(a) where the material or equipment is depended upon for safety, its use is approved by the Minister; or

(b) where the material or equipment is not depended upon for safety, it is tested and found suitable and it is not used at unit stresses of greater than 50 per cent of those prescribed for comparable material and its use is not prohibited by this Regulation.

(3) Where no specifications for material are required by this Regulation, the material shall not be used unless it is recommended by its manufacturer for the purpose for which it is used and tested before use and found to be suitable, safe and in accordance with good engineering practice.

15.—(1) Used pipe, new pipe of unknown specifications and ASTM A-120 pipe may be used for service at a hoop stress of less than 6,000 psi if it is not closely coiled or bent, if careful visual examination indicates that it is in good condition and free from split seams or other defects that would cause leakage, and if, where the pipe is to be welded and is of unknown specification or ASTM A-120, it satisfactorily passes the weldability tests prescribed in Appendix A.

(2) Used or new pipe of unknown specifications and ASTM A-120 pipe may be used for service at a hoop stress of more than 6,000 psi and for service involving close coiling or bending if the following is complied with:

1. All pipe shall be cleaned inside and outside to permit good inspection, and shall be visually inspected to ensure that it is reasonably round and straight, and to discover any defects that might impair its strength or tightness.

2. For pipe two inches and under in nominal diameter, a sufficient length of pipe shall be bent cold through 90 degrees around a cylindrical mandrel, the diameter of which is twelve times the nominal diameter of the pipe, without developing cracks at any portion and without opening the weld. For pipe larger than two inches in diameter, flattening tests as set out in Appendix B shall be made. The number of tests under this paragraph shall be the same as required in Appendix C to determine yield strength.

3. Unless the wall thickness is known with certainty, it shall be determined by measuring the thickness at quarter points on one end of each piece of pipe. If the lot of pipe is known to be of uniform grade, size and wall thickness, measurement shall be made on not less than 10 per cent of the individual lengths, but not less than ten lengths, but if an electronic or sonic measuring device is used measurements shall be taken at random positions along the pipe length on not less than 15 per cent of the individual lengths, and on not less than ten lengths. The nominal wall thickness shall be taken as the next commercial wall thickness below the average of all the measurements taken, but in no case greater than 1.14 times the least measured thickness for all pipe having an outside diameter of less than twenty inches, and no greater than 1.11 times the least measured thickness for all pipe having an outside diameter of twenty inches or larger.

4. If the type of longitudinal joint can be determined with certainty, the corresponding longitudinal joint factor E in the Table to subsection 3 of section 50 applies, but if the type of longitudinal joint cannot be determined, the factor E shall be taken as 0.60 for pipe four inches and smaller or 0.80 for pipe over four inches.

5. Weldability shall be determined by making a girth weld in the pipe under the most severe conditions under which welding will be performed in the field and using the same procedure as to be used in the field. The weld shall then be tested in accordance with Appendix A and shall be considered weldable if the requirements set forth in Appendix A are met. At least one such test weld shall be made for each 100 lengths of pipe in sizes

over four inches in diameter. On sizes four inches and under, one test shall be made for each 400 lengths of pipe. If, in testing the weld, the requirements set forth in Appendix A are not met, the weldability may be established by making such chemical tests as are necessary to ensure that the pipe material can be welded to achieve at least the yield strength required for the pipe material.

6. When the manufacturer's yield strength, tensile strength or elongation for the pipe is unknown and no physical tests are made, the specified minimum yield strength for the purpose of design shall be taken as not more than 24,000 psi. Alternately, the tensile properties may be established in accordance with Appendix C. If the yield-tensile ratio exceeds .85, the pipe shall not be used in service at a hoop stress in excess of 6,000 psi.
7. For pipe of unknown specification, the factor S in the formula in section 49 shall be 24,000 psi or,
 - (a) 80 per cent of the average value of all yield strength tests for a uniform lot; and
 - (b) the minimum value of any yield strength test,

but in no case shall S be greater than 52,000 psi.

8. New or used pipe of unknown specification and all used pipe the strength of which is impaired by corrosion or other deterioration shall be re-tested hydrostatically, either length by length in a mill type test or in the field after installation before being placed in service, and the test pressure used establishes the maximum allowable operating pressure subject to the limitations described in section 51.

(3) Used pipe of known specification, other than ASTM A-120 pipe, may be used at hoop stress levels above 6,000 psi or for service involving close coiling or bending, subject to paragraphs 1, 3, 4 and 8 of subsection 2.

16. Where material is identified by die stamping, the stamping shall be done with dies having blunt or rounded edges to minimize stress concentrations.

17. Cold expanded pipe shall be API 5LX pipe or its equivalent.

18. Where piping systems are installed to withstand metal temperatures below 0° F., such additional precautions shall be taken in material and design as are necessary to ensure public safety.

PART III

WELDING

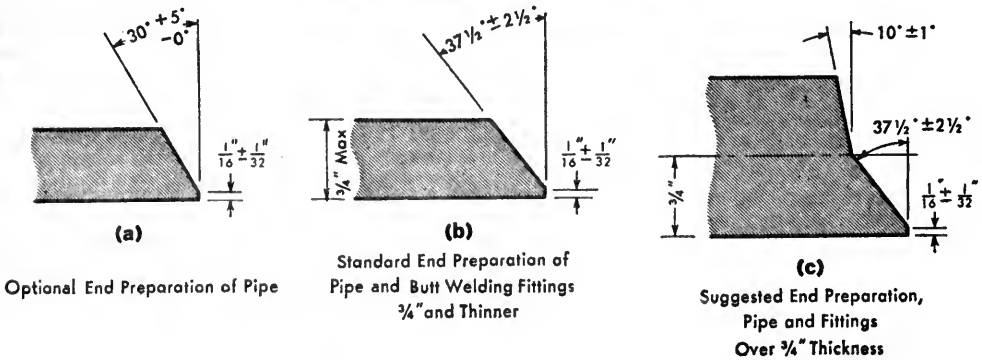
19. No person shall make a weld in any pipe or component of a piping system unless he is qualified to make the weld under *The Boilers and Pressure Vessels Act, 1962-63*, and the procedure followed in the making of the weld shall be a procedure approved for the purpose by the chief inspector under that Act in the same manner as for a pressure vessel.

20.—(1) Welding surfaces shall be clean and free of material that may be detrimental to the weld.

(2) End preparation for welding material of equal thickness shall conform to that shown in Figure 1 and end preparation for welding material of unequal thickness shall conform to that shown in Figure 2 and set out in the notes thereto as follows:

FIGURE 1

STANDARD END PREPARATIONS



COMBINATIONS OF PIPE END PREPARATIONS

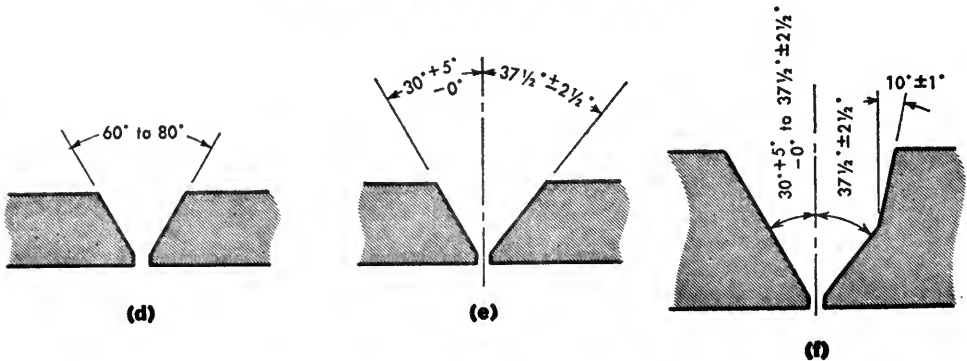
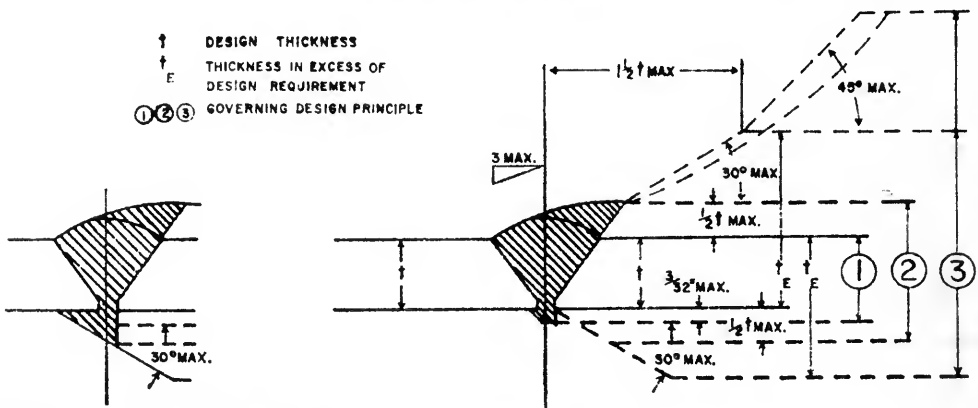


FIGURE 2

WELDING END TREATMENT



Note: THE INTERNAL PREPARATION
OPTIONAL IF INSIDE DIAMETER
OF PIPE AFFORDS ACCESS

INTERNAL and EXTERNAL
DIAMETERS UNEQUAL

NOTES

1. Where materials of unequal strength are joined together, design conditions require that the thickness of the end having the lower physical property be such that its strength be at least equal to that of the adjoining part.
 2. The transition between ends of unequal thickness may be accomplished by taper or welding as illustrated or by means of a prefabricated transition ring.
 3. The transition weld shall have a slope not greater than 1.3 (Approx. 18°). Excess metal thickness of the heavier section may be tapered for a smooth transition by an angle not exceeding 30° with reference to the pipe surface.
 4. Physical properties of the deposited weld metal shall be at least equal to those of the higher strength pipe material.
 5. The design principles governing the preparation of ends having unequal thickness shall comply with the following:
 - ii. Where the nominal internal or external offset does not exceed one-half the thinner wall section, the transition may be made by welding or taper if full penetration and bond are accomplished and the basic precepts are adhered to.
 - iii. Where the nominal wall section of valves and fittings is greater than required for the design strength of the joint, such additional metal may be tapered to the accepted re-entrant angle as illustrated.
 - iv. For piping to operate at hoop stress of less than 20 percent of the specified minimum yield strength, where the nominal wall thickness does not vary more than one-eighth of an inch no special treatment is necessary if adequate penetration and bond are accomplished in welding.
- (3) The ends to be joined shall be aligned as accurately as practicable and the alignment shall be preserved during welding of the root bead.
21. Minimum dimensions for welds used in the attachment of slip-on flanges for socket welded joints shall be as shown in Figure 1 and the minimum dimensions for welds used in branch connections shall be as shown in Figures 2 and 3 as follows:

FIGURE 1

RECOMMENDED ATTACHMENT DETAILS OF FLANGES

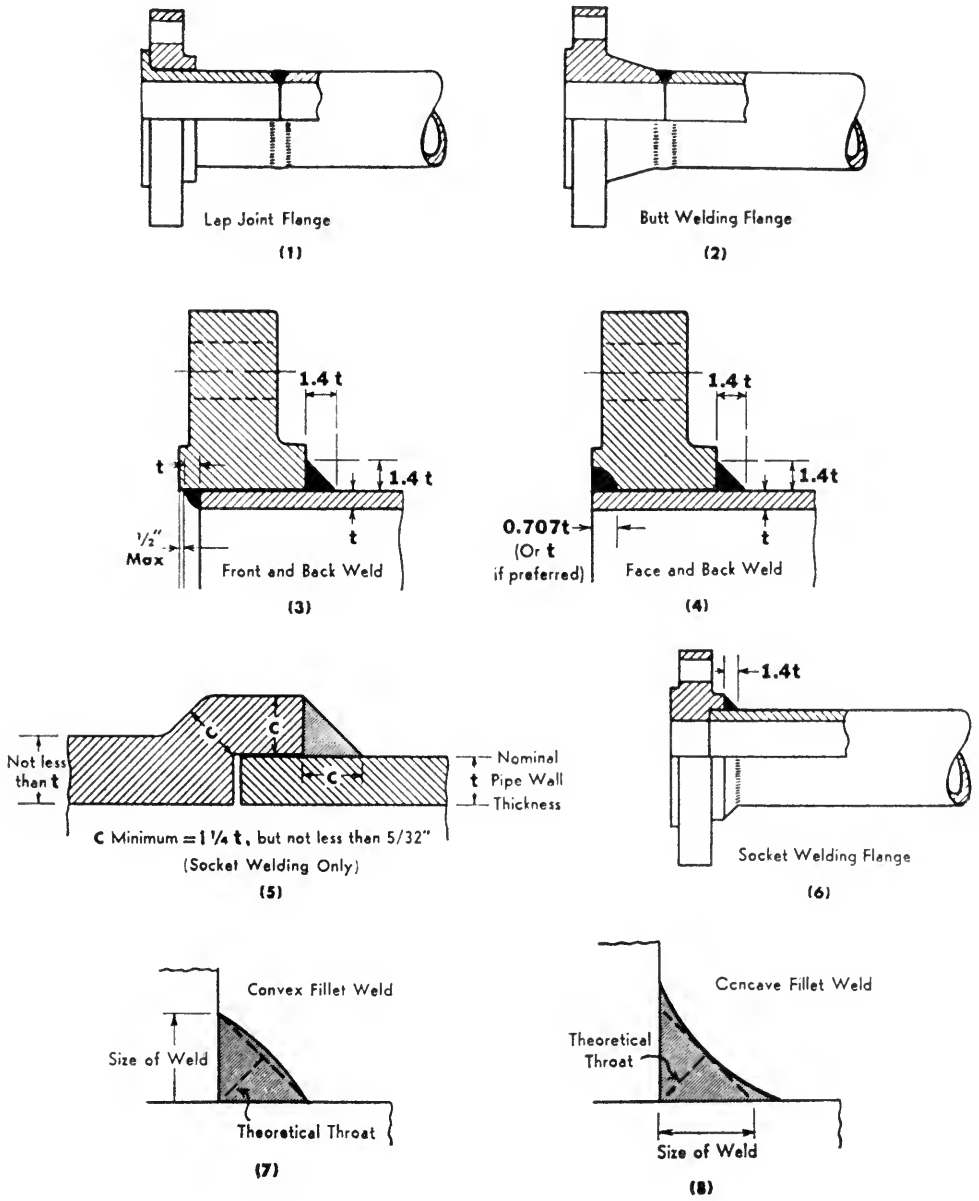
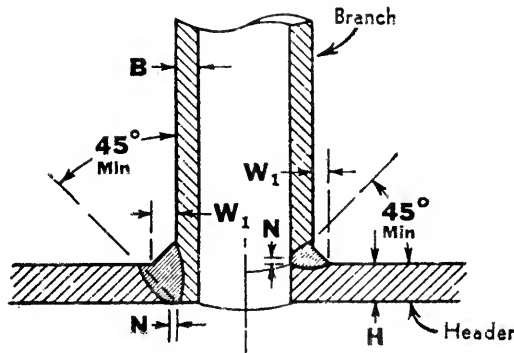


FIGURE 2

WELDING DETAILS FOR OPENINGS WITHOUT REINFORCEMENT
OTHER THAN THAT IN HEADER AND BRANCH WALLS



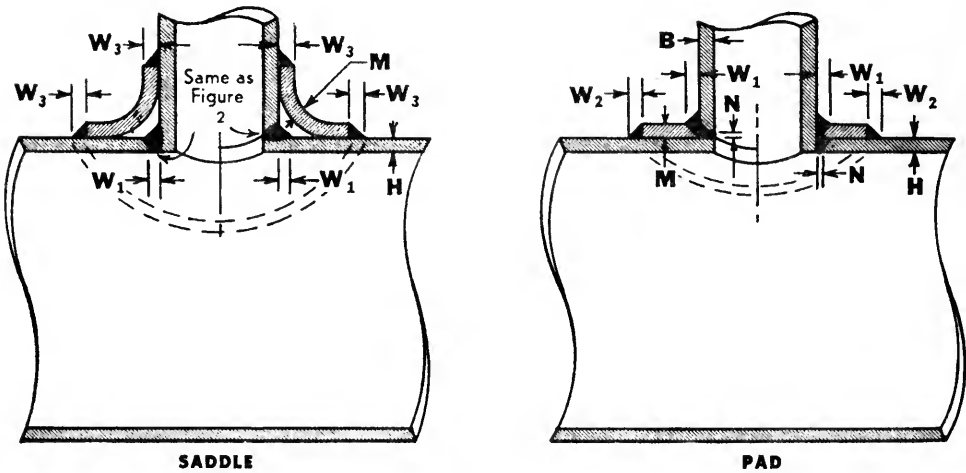
When a Welding Saddle is used it shall be inserted over this type of connection

$$W_1 = \frac{3}{8}B \text{ but not less than } \frac{1}{4}''$$

$$N = \frac{1}{16}'' \text{ (minimum), } \frac{1}{8}'' \text{ (maximum), (Unless Back Welded or Backing Strip is used)}$$

FIGURE 3

WELDING DETAILS FOR OPENINGS WITH LOCALIZED TYPE REINFORCEMENT



$$W \text{ (minimum)} = \frac{3}{8}B \text{ but not less than } \frac{1}{4}''$$

$$W_2 \text{ (minimum)} = \frac{1}{2}M \text{ but not less than } \frac{1}{4}''$$

$$W_3 \text{ (minimum)} = M \text{ but not greater than } H$$

$$N = \frac{1}{16}'' \text{ (minimum), } \frac{1}{8}'' \text{ (maximum), (Unless Back Welded or Backing Strip is used)}$$

All Welds to have equal Leg Dimensions and a Minimum Throat = .707 X Leg Dimension.

NOTE: If M is thicker than H the Reinforcing Member shall be tapered down to the Header Wall thickness.

22. Welding shall not be done when the quality of the completed weld would be likely to be impaired by the prevailing weather conditions, and wind shields may be used when practicable.

23. Where welds are made on piping systems intended to operate at less than 20 per cent of the specified minimum yield strength, the quality of welding shall be checked visually on a sampling basis, and, if there is any reason to believe that the weld is defective, it shall be removed from the line and tested or shall be given a non-destructive test as set out in section 24.

24.—(1) Where welds are made on piping systems intended to operate at 20 per cent or more of the specified minimum yield strength, the quality of the welding shall be checked,

- (a) by removing completed welds; or
- (b) by non-destructive testing which may consist of radiographic examination, magnetic particle testing or other acceptable methods, but the trepanning method of non-destructive testing shall not be used.

(2) Where radiographic examination is employed, the weld shall comply with the requirements of acceptability set out in Appendix A and the number and location of welds examined shall be sufficient to reasonably ensure that sound welds are obtained.

25. No weld shall be made if it overlaps another weld.

PART IV

PIPING SYSTEM COMPONENTS AND FABRICATION DETAILS

26.—(1) All components of piping systems shall be designed and used in accordance with good engineering practice to withstand operating conditions, and with good standards of safety.

(2) Unit stresses shall not exceed those permitted by this Regulation for comparable material in pipe in the same location and type of service.

(3) Components of piping systems shall be designed to withstand the field test pressure to which they will be subjected without failure or leakage and without impairment of their serviceability.

27.—(1) Threaded taps in cast iron pipe shall not be used without reinforcement where the tap size is larger than 25 per cent of the nominal diameter of the pipe, except that 1¼ inch taps are permitted in four-inch pipe. Larger taps shall be covered by a reinforcing sleeve.

(2) Mechanical fittings may be used for making hot taps on pipe lines if they are designed for the operating pressure of the pipe line and are suitable for the purpose.

(3) Orange-peel bull plugs, orange-peel swages and fish tails shall not be used.

(4) Flat closures shall be designed in accordance with the A.S.M.E. Boiler Code for Unfired Pressure Vessels, 1959 edition.

(5) Every prefabricated unit shall successfully withstand a pressure test without failure, leakage, distress or distortion other than elastic distortion, at a pressure equal to the test pressure of the system in which it is installed, either before installation or during the system test. Where such units are to be installed in existing systems, they shall be pressure tested before installation, if feasible; otherwise, they shall withstand a leak test at the maximum actual operating pressure of the line.

(6) Flexible couplings with rubber type gaskets, used on piping inside buildings, shall be suitably restrained.

28.—(1) This section applies to welded branch connections.

(2) When branch connections are made to pipe in the form of a single connection or in a header or manifold as a series of connections, the design shall be adequate to control the stress levels in the pipe within safe limits. The construction shall allow for the stresses in the remaining pipe wall due to the opening in the pipe or header, the shear stresses produced by the pressure acting on the area of the branch opening and any external loadings due to thermal movement, weight, vibration or other cause.

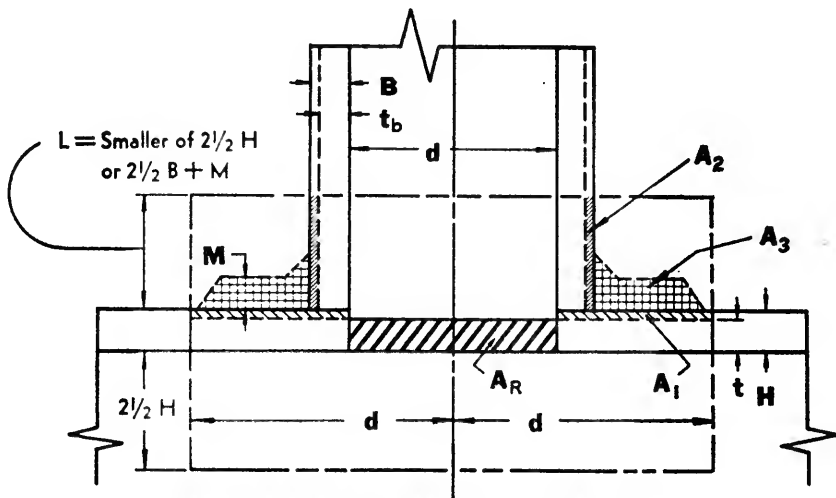
(3) The following design rules apply in respect of loads other than excessive external loads:

1. The reinforcement required in the crotch section of a welded branch connection shall be determined by the rule that the metal area available for reinforcement shall be equal to or greater than the required reinforcement area as defined in paragraph 2.
2. The required reinforcement area A_R is the product of d times t : where,
 - (a) d equals the length of the finished opening in the header wall measured parallel to the axis of the run; and
 - (b) t equals the nominal header wall thickness as determined under section 49.

Where the pipe wall thickness includes an allowance for corrosion or erosion all dimensions used shall be those that will result after the anticipated corrosion or erosion has taken place.

3. The area available for reinforcement shall be the sum of,
 - (a) the cross-sectional area resulting from any excess thickness available in the header thickness over the minimum required for the header under paragraph 2 and that lies within the reinforcement area as defined in paragraph 4;
 - (b) the cross-sectional area resulting from any excess thickness available in the branch wall thickness over the minimum thickness required for the branch and that lies within the reinforcement area as defined in paragraph 4; and
 - (c) the cross-sectional area of all added reinforcing metal including weld metal, that is welded to the header wall and lies within the reinforcement area as defined in paragraph 4.
4. The area of reinforcement shown in the Figure to paragraph 5 is a rectangle of which the length extends a distance "d" on each side of the transverse centreline of the finished opening and the width extends a distance of $2\frac{1}{2}$ times the header wall thickness on each side of the surface of the header wall, except that in no case shall it extend more than $2\frac{1}{2}$ times the thickness of the branch wall from the outside surface of the header or of the reinforcement, if any.
5. Paragraphs 1 to 4 are illustrated by the following Figure:

FIGURE



REINFORCEMENT OF BRANCH CONNECTIONS

"Area of Reinforcement" Enclosed by ———— Lines.
Reinforcement Area Required $A_R = (d)(t)$

Area Available for Reinforcement = $A_1 + A_2 + A_3$

$$A_1 = (H-t)(d)$$

$$A_2 = 2(B-t_b)L$$

A_3 = Summation of Area of All Added Reinforcement, Including Weld Areas which Lie within the "Area of Reinforcement"

$A_1 + A_2 + A_3$ must be equal to or greater than A_R

Where:

H = Actual Wall Thickness of Header

B = Actual Wall Thickness of Branch

t_b = Nominal Wall Thickness of the Branch

t = Nominal Wall Thickness of the Header

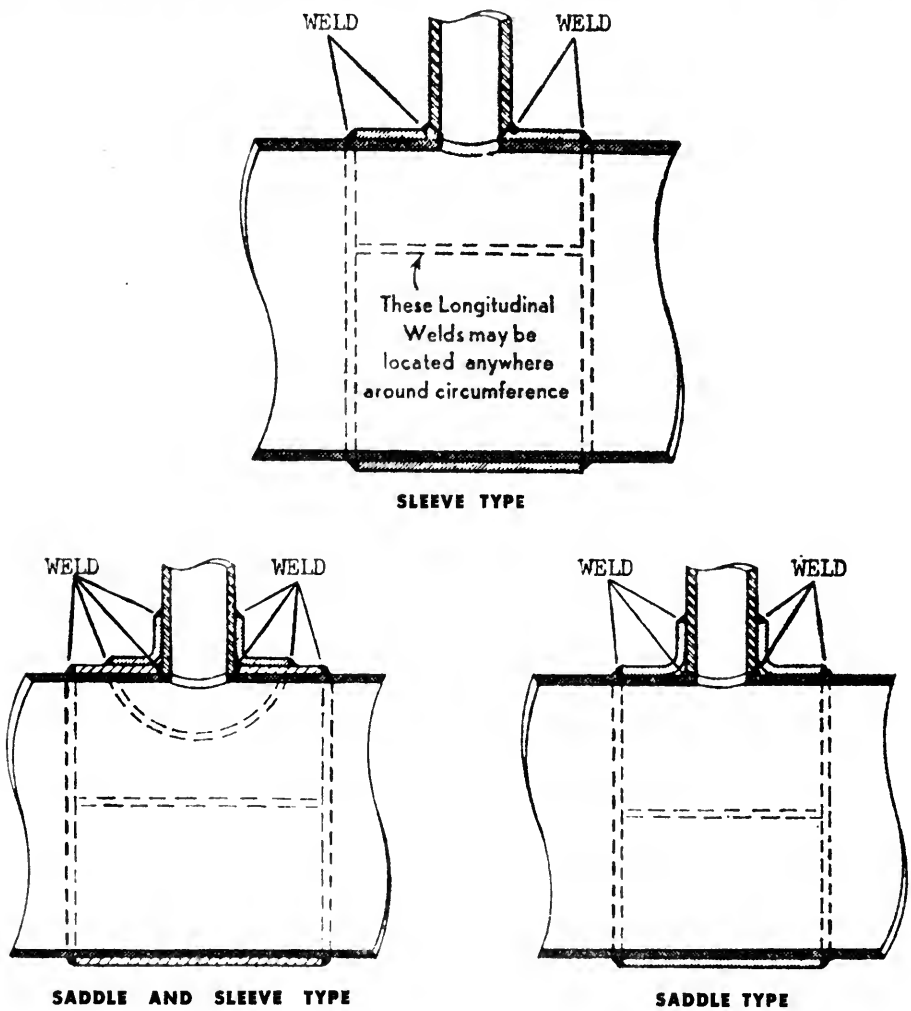
d = The Length of the Finished Opening in the Header Wall
(Measured parallel to the Axis of the Header)

M = Actual Thickness of Added Reinforcement

6. The material of any added reinforcement shall have an allowable working stress at least equal to that of the header wall, except that material of lower allowable stress may be used if the area is increased in direct ratio of the allowable stresses for header material to the reinforcement material.
7. The material used for ring or saddle reinforcement may be of specifications differing from those of the pipe, if the reinforcement area is made in correct proportion to the relative strength of the pipe and reinforcement materials at the operating temperatures and if it has welding qualities comparable to those of the pipe. No credit shall be allowed for the additional strength of material having a higher strength than that of the part to be reinforced.
8. When rings or saddles are used that cover the weld between branch and header, a vent hole shall be provided in the ring or saddle to reveal leakage in the weld between branch and header and to provide venting during welding and heat treatment. Vent holes shall be plugged during service with a plugging material that is not capable of sustaining pressure within the crevice.
9. The use of ribs or gussets shall not be considered as contributing to reinforcement of the branch connection.
10. The branch shall be attached by a weld for the full thickness of the branch or header wall plus a fillet weld W_1 , as shown in Figures 1 and 2 to section 21. Concave fillet welds shall be used to minimize corner stress concentration. Ring or saddle reinforcement shall be attached as shown in Figure 2 to section 21.
11. Reinforcement rings and saddles shall be accurately fitted to the parts to which they are attached. Figures 1 and 2 to section 21 illustrate permissible forms of reinforcement.
12. Branch connections attached at an angle less than 85° to the run shall be given sufficient reinforcement to compensate for the weakness of the construction. Encircling ribs may be used to support the flat or re-entering surfaces, and may be included in the strength calculations.
13. Complete encirclement type reinforcement for openings shall be welded in accordance with the following Figure:

FIGURE

WELDING DETAILS FOR OPENINGS WITH COMPLETE ENCIRCLEMENT TYPES OF REINFORCEMENT



29. Branch connections qualifying in one of the items in column 1 and under one of the headings in columns 2, 3 or 4 of the following Table shall meet the requirements in the paragraphs set opposite thereto:

TABLE

COLUMN 1	COLUMN 2	COLUMN 3	COLUMN 4
Ratio of Design Hoop Stress to Specified Minimum Yield Strength in the Header	Ratio of Nominal Branch Diameter to Nominal Header Diameter		
	Less than 25%	25% to 50%	50% and more
1. Less than 20 per cent.....	G	G	H
2. 20 to 50 per cent.....	I D	I	I H
3. 50 per cent and more.....	C D E	B E	A E F

- A. Where contoured wrought steel tees of proven design cannot be used, the reinforcing member shall extend around the circumference of the header. Pads, partial saddles or other types of localized reinforcement shall not be used.
- B. Where smoothly contoured tees of proven design are not used, the reinforcing member shall be of the complete encirclement type, pad type, saddle type or a welding outlet fitting.
- C. The reinforcement member may be of the complete encirclement type, pad type, saddle type or welding outlet fitting type.
- D. Reinforcement calculations are not required for openings of two inches or smaller in diameter, but care shall be taken to provide suitable protection against vibrations and other external forces to which these openings may be subjected.
- E. All welds joining the header, branch and reinforcing member shall be equivalent to those shown in Figures 1 and 2 to section 21.
- F. The inside edges of the finished opening shall, whenever possible, be rounded to a radius of one-eighth of an inch. If the encircling member is thicker than the header and is welded to the header, the ends shall be tapered down to the header thickness and continuous fillet welds shall be made.
- G. Consideration shall be given to reinforcement, where it is necessary, for special cases involving pressures over 100 psig., thin wall pipe or severe external loads.
- H. If a reinforcement member is required, and the branch diameter is such that a localized type of reinforcement member would extend around more than half the circumference of the header, a complete encirclement type of reinforcement member or a smoothly contoured wrought steel tee of proven design shall be used, regardless of the design hoop stress.
- I. The reinforcement may be of any type that meets the requirements of section 28.
- 30.—(1) Subject to subsection 2, unless forged fittings are used, multiple openings shall not be used where they are spaced at less than two times their average diameter or so that their effective areas of reinforcement overlap.
- (2) Where the spacing of two or more adjacent branches at less than two times their average diameter or so that their effective areas of reinforcement overlap is unavoidable,
- (a) the group of openings shall be reinforced in accordance with sections 28 and 29;
- (b) the reinforcing metal shall be added as a combined reinforcement, the strength of which shall equal the combined strengths of the reinforcements that would be required for the separate openings; and
- (c) in no case shall any portion of a cross-section be considered to apply to more than one opening or be evaluated more than once in a combined area.
- (3) Where more than two adjacent openings are provided with a combined reinforcement, the minimum distance between centres of any two openings shall be at least $1\frac{1}{2}$ times their average diameter, and the area of reinforcement between them shall be at least equal to 50 percent of the total required for the two openings on the cross-section being considered.
- (4) Where the distance between centres of two adjacent openings is less than $1\frac{1}{2}$ times their average diameter, no credit for reinforcement shall be given for any of the metal between the two openings.
- (5) Any number of closely spaced adjacent openings, in any arrangement, may be reinforced as if the group were treated as one opening of a diameter enclosing all the openings.
31. Sections 32 to 40 apply to above-ground piping only.
- 32.—(1) Pipe lines shall be designed to have sufficient flexibility to prevent thermal expansion or contraction from causing excessive stresses in the piping material, excessive bending or unusual loads at joints, or undesirable forces or moments at points of connection to equipment or at anchorage or guide points.
- (2) Flexibility shall be provided by the use of bends, loops or offsets, or provision shall be made to absorb thermal changes by the use of expansion joints or couplings of the slip joint type or expansion joints of the bellows type. If expansion joints are used, anchors or ties of sufficient strength and rigidity shall be installed to provide for end forces due to fluid pressure and other causes.
- 33.—(1) Where any reasonable doubt exists as to the adequate flexibility of a piping system, calculations shall be made.
- (2) In calculating the flexibility of a piping system the system shall be treated as a whole, and the significance of all parts of the line and all restraints, such as solid supports or guides, shall be considered.
- (3) Calculations shall take into account stress intensification factors found to exist in components other than plain straight pipe. Credit may be taken for the extra flexibility of such components. In the absence of more directly applicable data, the flexibility factors and stress intensification factors shown in the following Table may be used:

TABLE

FLEXIBILITY FACTORS *k* AND STRESS INTENSIFICATION FACTORS *i*

Description	Flexibility Factor <i>k</i>	Stress Intens. Factor	Description	Flexibility Factor <i>k</i> '	Stress Intens. Factor <i>i</i> '	Flexibility Characteristic <i>h/f</i>	Sketch
BUTT WELDED JOINT, REDUCER, or WELDING NECK FLANGE	1	1.0	WELDING ELBOW, or PIPE BEND †	$\frac{1.65}{h}$	$\frac{0.9}{h^{2/3}}$	$\frac{1R}{r^2}$	
DOUBLE-WELDED SLIP-ON or SOCKET WELDING FLANGE	1	1.2	WELDING TEE per ASA B16.9	1	$\frac{0.9}{h^{2/3}}$	$4.4 \frac{t}{r}$	
FILLET WELDED JOINT, or SINGLE-WELDED SOCKET WELDING FLANGE	1	1.3	REINFORCED FABRICATED TEE, with pad or saddle	1	$\frac{0.9}{h^{2/3}}$	$\frac{(t + 1/2 T)^{3/2}}{t^{3/2} r}$	
LAP JOINT FLANGE (with ASA B16.9 lap joint stub)	1	1.6	UNREINFORCED FABRICATED TEE	1	$\frac{0.9}{h^{2/3}}$	$\frac{t}{r}$	
SCREWED PIPE JOINT, or SCREWED FLANGE	1	2.3					
CORRUGATED PIPE, straight or curved, or CREASED BEND	5	2.5					

†Where flanges are attached to one or both ends, the values of *k* and *i* in the Table shall be multiplied by the following factors:

One end flanged: $h^{1/6}$

Both ends flanged: $h^{1/3}$

(4) For the purpose of the calculations, properties of pipe and fittings shall be based on nominal dimensions, and the joint factor *E* in the Table to subsection 3 of section 50 shall be taken as 1.00.

(5) The total range in temperature shall be used in expansion calculations, whether piping is cold-sprung or not. In addition to the expansion of the line itself, the linear and angular movements of the equipment to which it is attached shall be considered.

34. In order to modify the effect of expansion and contraction, runs of pipe may be cold-sprung. Cold-springing may be taken into account in the calculations of the reactions as shown in section 36, if an effective method is used of obtaining the amount of cold-springing.

35.—(1) Pipe lines shall be designed to have a computed stress range of not more than 0.72 times the specified minimum yield strength, and to have a specified minimum yield strength of not more than the total of,

(a) the combined expansion stresses being S_E as determined by the formula in subsection 2;

(b) the longitudinal pressure stress; and

(c) the longitudinal bending stress due to weight of pipe and contents and external loads,

and the sum of clauses *b* and *c* shall not exceed 75 per cent of the allowable stress being $S \times F \times E \times T$ as determined under section 49.

(2) Expansion stresses shall be combined in accordance with the following formula:

$$S_E = \sqrt{S_b^2 \times 4S_t^2}$$

Where $S_b = i M_b/Z =$ Resultant bending stress, psi.

$S_t = M_t/2Z =$ Torsional stress; psi.

$M_b =$ Resultant bending moment; in inch pounds.

$M_t =$ Torsional moment; in inch pounds.

i = Stress intensification factor.

Z = Section modulus of pipe, in inches cubed.

36. Attached equipment or anchorage shall be installed to sustain the reaction R^1 which shall be computed as follows:

$$R^1 = 1 - 2/3 C_s R, \text{ when } C_s \text{ is less than } 0.6$$

$$R^1 = C_s R, \text{ when } C_s \text{ is between } 0.6 \text{ and } 1.0$$

Where

R^1 = The maximum reaction for the line after cold-springing.

C_s = The cold-spring factor.

R = Range of reactions corresponding to the full expansion range based on E_c .

E_c = The modulus of elasticity.

SUPPORTS AND ANCHORAGE FOR EXPOSED PIPING

37.—(1) Piping and equipment shall be supported in a substantial and workmanlike manner, so as to prevent or damp out excessive vibration, and shall be anchored sufficiently to prevent undue strains on connected equipment.

(2) Suitable spring hangers, sway bracing or other provisions for expansion shall be provided where necessary.

38.—(1) All permanent hangers, supports and anchors shall be fabricated from durable non-combustible materials, and designed and installed in accordance with good engineering practice for the service conditions involved.

(2) All parts of the supporting equipment shall be designed and installed so that they will not be disengaged by movement of the supported piping.

39.—(1) All exposed pipe joints shall be able to sustain the maximum end force due to the internal pressure, computed as the design pressure times the internal area of the pipe, as well as any additional forces due to temperature expansion or contraction or to the weight of the pipe and contents.

(2) If compression or sleeve-type couplings are used in exposed piping, provision shall be made to sustain the end force referred to in subsection 1. If such provision is not made in the manufacture of the coupling, suitable bracing or strapping shall be provided, but the design shall not interfere with the normal performance of the coupling nor with its proper maintenance. Attachments shall meet the requirements of section 40.

40.—(1) Where pipe is designed to operate at a hoop stress of less than 50 per cent of the specified minimum yield strength, structural supports or anchors may be welded directly to the pipe, and the proportioning and welding strength requirements of such attachments shall conform to standard structural practice.

(2) Where pipe is designed to operate at a hoop stress of 50 per cent or more of the specified minimum yield strength, support of the pipe shall be furnished by a member that completely encircles it.

(3) Where it is necessary to provide positive attachment, as at an anchor, the pipe shall be welded to the encircling member only and the support shall be attached to the encircling member, and not to the pipe.

(4) The connection of the pipe to the encircling member shall be by continuous welds.

SUPPORTS AND ANCHORAGE FOR BURIED PIPING

41. Forces in bends or offsets in buried pipe shall be resisted by anchorage at the bend, by restraint due to friction of the soil, or by longitudinal stresses in the pipe.

42.—(1) Where pipe is anchored by bearing at the bend, the load shall be distributed on the soil so that the bearing pressure is within safe limits for the type of soil involved.

(2) If anchorage is not provided at the bend, pipe joints that are close to the points of origin of thrust shall be designed to sustain the longitudinal pullout force.

(3) If compensation for the longitudinal pullout force is not made in the manufacture of the joint, suitable bracing or strapping shall be provided, unless calculations show the joint to be safe.

43. Where there is doubt as to the adequacy of anchorage by soil friction, calculations shall be made.

44. The pipe shall be uniformly and adequately supported in the trench.

45.—(1) Where openings are made in a consolidated backfill to connect new branches to an existing line, firm foundation shall be provided for both the header and the branch to prevent both vertical and lateral movements.

(2) If connections are made at such a location to a relatively unyielding line, or other fixed object, the interconnection shall have ample flexibility to care for possible movement, or the line shall be provided with an anchor sufficient to develop the forces necessary to limit the movement.

46.—(1) All components of the piping system shall be suitably and adequately supported.

(2) Boxes installed for access to any components such as valves shall be so installed that external loads are not transmitted to the component.

(3) Valves with integral stem extensions may be used if the stem extension is adequately protected from damage.

PART V

DESIGN, INSTALLATION AND TESTING

47.—(1) For the purposes of this Regulation,

(a) a one-mile density index for a proposed pipe line is determined by laying out a zone one-half mile wide and one mile long along the route of the pipe line with the pipe line on the centre line of the zone, and counting the number of buildings intended for human occupancy in the zone;

(b) a ten-mile density index for any given ten-mile length of pipe line is determined by adding the one-mile density indices for the ten-mile section, calculating a one-mile index in excess of twenty as twenty, and dividing the sum by ten;

- (c) Class 1 locations are waste lands, deserts, rugged mountains, grazing land or farm land, in which,
 - (i) the ten-mile density index for any section of the line is twelve or less, and
 - (ii) the one-mile density index for any one mile of the line is twenty or less;
- (d) Class 2 locations are areas where the degree of development is between Class 1 locations and Class 3 locations;
- (e) Class 3 locations are areas subdivided for residential or commercial purposes where, at the time of construction of the pipe line, 10 per cent or more of the lots abutting on the street or right of way in which the pipe is to be located are built upon, and that are not Class 4 locations;

- (f) Class 4 locations are areas where buildings having four or more storeys at and above ground level are prevalent, and where traffic is heavy or dense.
 - (2) In determining the population index ample allowance shall be made for further development of population in the area.
 - (3) Where physical or other barriers ensure that a more densely populated area will not expand beyond a distance of less than one mile the type of construction appropriate to the one mile population index may be confined to the area.
48. Where a pipe line is constructed in a location described in column 1, 2, 3 or 4 of the following Table, the type of construction shall be that in the heading therefor:

TABLE

COLUMN 1 Type A Construction	COLUMN 2 Type B Construction	COLUMN 3 Type C Construction	COLUMN 4 Type D Construction
1. On private rights of way in Class 1 locations.	1. On private rights of way in Class 2 locations.	1. On private rights of way in Class 3 locations.	1. In all locations in location Class 4.
2. Parallel encroachments on: Privately owned roads in Class 1 locations. Unimproved roads in Class 1 locations.	2. Parallel encroachments on: Privately owned roads in Class 2 locations. Unimproved public roads in Class 2 locations.	2. Parallel encroachments on: Privately owned roads in Class 3 locations. Unimproved public roads in Class 3 locations.	
3. Crossings without casings of privately owned roads in Class 1 locations.	Hard-surfaced roads, highways or public streets and railroads in Class 1 and Class 2 locations.	Hard-surfaced roads, highways or public streets and railroads in Class 3 locations.	
4. Crossings in casings of unimproved public roads, hard-surfaced roads, highways or public streets and railroads in Class 1 locations.	3. Crossings without casings of: Privately owned roads in Class 2 locations. Unimproved public roads in Class 2 locations. Hard-surfaced roads, highways or public streets and railroads in Class 1 locations.	3. Crossings without casings of: Privately owned roads in Class 3 locations. Unimproved public roads in Class 3 locations. Hard-surfaced roads, highways or public streets and railroads in Class 2 and 3 locations.	
	4. Crossings in casings of: Hard-surfaced roads, highways or public streets and railroads in Class 2 locations.	4. Compressor station piping.	
	5. On bridges in Class 1 and 2 locations.		
	6. Fabricated assemblies in pipelines in Class 1 and 2 locations.		

49. No steel pipe lines shall be designed to have a design pressure in excess of the design pressure as determined by the following formula:

$$P = \frac{2St}{D} \times F \times E \times T$$

Where

- P = Design pressure, psig.
 S = Specified minimum yield strength, psi.
 D = Nominal outside diameter of pipe in inches.
 t = Nominal wall thickness in inches.
 F = Construction type design factor as determined under subsection 2 of section 50.
 E = Longitudinal joint factor as determined under subsection 3 of section 50.
 T = Temperature derating factor as determined under subsection 4 of section 50.

50.—(1) The factor S in the formula in section 49 for the type and specification of pipe set out in column 1 of the following Table is that set opposite thereto in column 2:

TABLE		COLUMN 1	COLUMN 2
		Specification	Specified Minimum Yield Strength (psi)
API	5L	Grade A seamless or Electric-welded..	30,000
API	5L	Grade B seamless or Electric-welded..	35,000
API	5L	Lap-welded or Butt-welded Class I Open-hearth.....	25,000
API	5L	Lap-welded or Butt-welded Class II Open-hearth.....	28,000
API	5L	Lap-welded or Butt-welded Bessemer.....	30,000
API	5L	Lap-welded or Butt-welded Open-hearth—Iron or Wrought Iron..	24,000
API	5LX	Grade X42.....	42,000
API	5LX	Grade X46.....	46,000
API	5LX	Grade X52.....	52,000
ASTM	A53	Grade A.....	30,000
ASTM	A53	Grade B.....	35,000
ASTM	A53	Lap-welded and Butt-welded Open-hearth or Electric Furnace....	25,000
ASTM	A53	Lap-welded and Butt-welded Bessemer Steel.....	30,000
ASTM	A72	24,000
ASTM	A106	Grade A.....	30,000
ASTM	A106	Grade B.....	35,000
ASTM	A135	Grade A.....	30,000
ASTM	A135	Grade B.....	35,000
ASTM	A139	Grade A.....	30,000
ASTM	A139	Grade B.....	35,000

(2) The factor F in the formula in section 49 for the type of construction in column 1 of the following Table is that set opposite thereto in column 2:

TABLE		COLUMN 1	COLUMN 2
		Construction Type	Design Factor F
	Type—A	0.72
	Type—B	0.60
	Type—C	0.50
	Type—D	0.40

(3) The factor E in the formula in section 49 for the type of pipe in column 2 referable to its specification in column 1 is that set opposite thereto in column 3 of the following Table:

TABLE
LONGITUDINAL JOINT FACTOR "E"

COLUMN 1	COLUMN 2	COLUMN 3
Spec. No.	Pipe Type	E Factor
ASTM A53	Seamless.....	1.00
	Electric Resistance-Welded.....	1.00
	Furnace Lap-Welded.....	.80
	Furnace Butt-Welded.....	.60
ASTM A106	Seamless.....	1.00
ASTM A134	Electric Fusion-Welded.....	.80
ASTM A135	Electric Resistance-Welded.....	1.00
ASTM A139	Electric Fusion-Welded.....	.80
ASTM A155	Electric Fusion-Welded.....	1.00
API 5L	Seamless.....	1.00
	Electric Resistance-Welded.....	1.00
	Electric Flash-Welded.....	1.00
	Furnace Lap-Welded.....	.80
	Furnace Butt-Welded.....	.60
API 5LX	Seamless.....	1.00
	Electric Resistance-Welded.....	1.00
	Electric Flash-Welded.....	1.00
	Submerged Arc-Welded.....	1.00

(4) The factor T in the formula in section 49 for the temperature in column 1 of the following Table shall be that set opposite thereto in column 2:

TABLE
TEMPERATURE DERATING FACTOR "T"
FOR STEEL PIPE

COLUMN 1	COLUMN 2
Temperature Degrees Fahrenheit	Temperature Derating Factor "T"
250°F. or less	1.000
300°F.	0.967
350°F.	0.933
400°F.	0.900
450°F.	0.867

NOTE : For intermediate temperatures interpolate for derating factor.

51.—(1) Notwithstanding section 49, the design pressure for butt-welded pipe shall not exceed 60 per cent of the mill test pressure.

(2) Notwithstanding section 49, the design pressure for all pipe other than butt-welded pipe shall not exceed 85 per cent of the mill test pressure but, if the pipe is mill tested to a pressure less than 85 per cent of the pressure required to produce a stress equal to the specified minimum yield strength and is retested with a mill type hydrostatic test or tested in place after installation by the use of liquid to a pressure in excess of the mill test pressure, then the design pressure shall not exceed 85 per cent of the retest pressure rather than the initial mill test pressure.

52.—(1) Transportation, installation or repair of pipe shall not reduce the wall thickness at any point to a thickness less than 90 per cent of the nominal wall thickness as determined under section 49 for the design pressure to which the pipe is to be subjected.

(2) The nominal wall thickness shall not be less than that shown in the following Table:

TABLE
LEAST NOMINAL WALL THICKNESSES (INCHES)

Nominal Diameter (Inches)	Location Classes (Note 1)		Compressor Stations
	1	2, 3 & 4	
1/8	0.068	0.068	0.095
1/4	0.088	0.088	0.119
3/8	0.091	0.091	0.126
1/2	0.109	0.109	0.147
3/4	0.113	0.113	0.154
1	0.133	0.133	0.179
1 1/4	0.140	0.140	0.191
1 1/2	0.145	0.145	0.200
2	0.154	0.154	0.218
2 1/2	0.103	*0.125	0.203
3	0.104	*0.125	0.216
3 1/2	0.104	*0.125	0.226
4	0.104	*0.125	0.237
5	0.104	*0.125	0.250
6	0.104	0.156	0.250
8	0.104	0.172	0.250
10	0.104	0.188	0.250
12	0.104	0.203	0.250
14	0.134	0.210	0.250
16	0.134	0.219	0.250
18	0.134	0.250	0.250
20	0.134	0.250	0.250
22, 24, 26	0.164	0.250	0.250
28, 30	0.164	0.281	0.281
32, 34, 36	0.164	0.312	0.312

NOTE : If threaded pipe is to be used in those sizes for which least nominal wall thicknesses are given for "Plain End Only", those thicknesses marked by * shall be increased as follows:

for 2 1/2 inch diameter to 0.203;
for 3 inch diameter to 0.216;
for 3 1/2 inch diameter to 0.226;

for 4 inch diameter to 0.237;
and for 5 inch diameter to 0.258;

and 0.100 inch shall be added to all other wall thicknesses.

(3) Where pipe that has been cold worked for the purpose of meeting the specified minimum yield strength has been heated other than in the course of welding to 600° F. or higher, the maximum allowable operating pressure shall not exceed 75 per cent of the design pressure as determined under section 49.

(4) The value of a physical property as determined under this Regulation shall be used for the purpose of this Regulation except that where the actual value is determined to be less the actual value shall be used.

53.—(1) Where a fabricated assembly is installed in a Class 1 location, Type B construction shall be used throughout the assembly and for a distance of five pipe diameters in each direction beyond the last fittings, other than transition pieces at the end of an assembly and elbows used in place of pipe bends.

(2) Pipe lines supported by railroad, vehicular, pedestrian or pipe line bridges shall be constructed in accordance with the construction type prescribed for the area in which the bridge is located, except that in Class 1 locations Type B construction shall be used.

54.—(1) When pipe lines are installed where they will be subjected to natural hazards, such as washouts, floods, unstable soil, land slides or other conditions that may cause serious movement of, or abnormal loads on the pipe line, reasonable precautions shall be taken to protect the pipe line.

(2) Where pipe lines are exposed, such as at spans, trestles and bridge crossings, the pipe lines shall be

reasonably protected by distance or barricades from accidental damage by vehicular traffic or other cause.

55. The company shall,

- (a) employ blow-down connections on pipe lines that will direct the gas away from electric conductors; and
- (b) install a bonding conductor across points where a pipe line is separated and maintain this connection while the pipe line is separated.

56.—(1) Pipe lines, other than cast iron pipe lines and casings, shall be buried with a minimum cover of twenty-four inches, unless otherwise provided herein.

(2) In the construction of pipe lines in lake beds, stream beds and swampy ground, sufficient burial depth and anchorage shall be provided to ensure reasonable protection of the pipe lines.

(3) Buried pipe lines, other than cast iron pipe lines, operating at hoop stresses of less than 20 per cent of the specified minimum yield strength and located within private rights of way, private thoroughfares, sidewalks or parkways, may be installed with less than the minimum cover of, twenty-four inches if it appears that external damage to the pipe will not be likely to result.

(4) Abandoned pipe having a cover less than twenty-four inches may be used as a casing or conduit for pipe lines operating at hoop stresses less than 20 per cent of the specified minimum yield strength.

(5) Buried pipe lines installed in areas where farming or other operations might result in deep plowing or in thoroughfares or other locations where grading is done or where the area is subject to erosion, shall be buried to sufficient depth to adequately protect the pipe line.

(6) Where it is not practicable to comply with subsection 1, and it necessary to prevent damage from external forces, the pipe shall be cased or bridged.

(7) Casings shall be designed to withstand superimposed loads and the ends of the casing shall be sealed. If the end sealing is of a type that will retain the full pressure in the pipe, the casing shall be designed for the same pressure as the pipe, but according to Type A construction requirements. If vents are installed they shall be constructed to prevent water from entering the casing.

57. There shall be at least two inches clearance wherever possible between any pipe line and any other underground structure not used in conjunction with the pipe line and, where this clearance cannot be attained, other suitable precautions to protect the pipe shall be taken.

58. If corrosion may occur, to the extent that public safety is in danger and cathodic protection is not provided and if the maximum hoop stress due to gas pressure is more than 20 per cent of the specified minimum yield strength, the nominal wall thickness of the pipe shall be increased by not less than .05 inches for external corrosion and .075 inches for internal corrosion.

59. A steel pipe line shall be investigated for its resistance to external corrosion and, if the investigation indicates that protection from external corrosion is needed for public safety, the pipe line shall be protected by any recognized method or combination of methods including coating with protective material, application of cathodic protection or electrical bonding or isolation of sections.

60. The company shall make provision for suitable inspection during construction by persons who are qualified by experience or training.

61. During the installation of pipe lines and other facilities to operate at hoop stresses of 20 per cent or more of the specified minimum yield strength the provision for inspection shall include,

- (a) inspection of the surface of the pipe for serious surface defects just prior to the coating operation;
- (b) inspection of the surface of the coated pipe as it is lowered into the ditch to find coating lacerations that indicate the pipe might have been damaged after being coated;
- (c) inspection of the fit-up of the joints before the weld is made;
- (d) visual inspection of the stringer beads before subsequent beads are applied;
- (e) inspection of completed welds before they are covered with coating;
- (f) inspection of the condition of the ditch bottom just before the pipe is lowered in;
- (g) inspection of the fit of the pipe to the ditch before backfilling;
- (h) inspection of all repairs, replacements or changes ordered before they are covered up; and
- (i) such special tests and inspections as are required by the specifications.

62.—(1) Changes in direction of steel pipe lines shall be made by the use of bends or fittings.

(2) Mitre bends and wrinkle bends shall not be used.

(3) The bends shall be free from buckling, cracks or other evidence of mechanical damage. For cold field bends on sizes twelve inches and larger, the longitudinal axis of the pipe shall not be deflected more than $1\frac{1}{2}$ degrees in any length equal to the diameter of the pipe measured along the pipe axis. Bends shall not have a difference between the maximum and minimum diameters in excess of 2.5 per cent of the nominal diameter.

(4) Where a circumferential weld occurs in a bend section where the hoop stress is in excess of 20 per cent of the specified minimum yield strength, it shall be given a radiographic examination after bending.

(5) Hot bends made on cold worked or heat treated pipe shall be designed for lower stress levels in accordance with subsection 3 of section 52.

(6) Factory-made wrought steel welding elbows or transverse segments cut therefrom may be used for changes in direction if the arc length measured along the crotch is at least one inch on pipe sizes of two inches and larger.

63.—(1) No person shall use pipe that is gouged, grooved or dented for pressures that produce a hoop stress in excess of 20 per cent of the specified minimum yield strength.

(2) During installation of a pipe line, the company shall provide adequate inspection to minimize the possibility that gouged, grooved or dented pipe is installed.

64.—(1) Injurious gouges or grooves shall be removed.

(2) Gouges or grooves may be removed by grinding if the resulting wall thickness is not less than the minimum prescribed by this Regulation for the conditions of use.

(3) Where gouges or grooves cannot be removed by grinding, the damaged portion of pipe shall be cut out as a cylinder and replaced with a sound piece.

65.—(1) Dents that are more than one-quarter inch deep, measured as the gap between the lowest point of the dent and a prolongation of the original contour of the pipe, shall be removed from pipe lines intended to operate at 50 per cent or more of the specified minimum yield strength.

(2) Removal of dents in the field shall be done by cutting out a cylindrical section of pipe and not by insert-patching or pounding out the dent.

66.—(1) Arc burns in API 5LX pipe or pipe of equal specified minimum yield strength intended for use at 50 per cent or more of its specified minimum yield strength shall be eliminated.

(2) The metallurgical notch caused by arc burns shall be eliminated by grinding if the grinding does not reduce the remaining wall thickness to less than the minimum prescribed by this Regulation for the conditions of use and in all other cases the portion of pipe containing the arc burn shall be cut out as a cylinder and replaced with a sound piece.

(3) An arc burn shall not be deemed to be eliminated unless, after grinding, the ground area is swabbed with a 20 per cent solution of ammonium persulfate and no blackened spot indicates the metallurgical notch.

67.—(1) Protective coatings for underground piping shall be applied in accordance with the company's coating specifications included in the specifications filed with the Department under section 11. These specifications shall also cover the patching of damaged spots, the coating of joints and the coating of short lengths of pipe and fittings in the field.

(2) Crews that apply protective coatings shall be suitably instructed and provided with all of the equipment necessary to accomplish their work in a satisfactory manner.

(3) The protective coating shall be inspected and tested either completely or on a sampling basis using a recognized flaw detector before or after backfilling.

68.—(1) Where electrical test leads for corrosion control testing or electrolysis testing are installed on pipe lines to operate at 20 per cent or more of the specified minimum yield strength, they shall be installed to avoid undue stress.

(2) Electrical test leads shall be attached directly to the pipe by the thermit welding process using aluminum powder and copper oxide, and the charge shall not be greater than fifteen gram cartridges, and the size of electrical conductor shall not be greater than No. 6 American Wire Gauge unless the conductor is a multistrand conductor and the strands are rearranged into groups no larger than No. 6 American Wire Gauge and each group is attached to the pipe separately.

(3) All test lead connections and all bare leads shall be protected by coating or wrapping.

69. Care shall be taken not to damage the pipe in handling, hauling, unloading and placing.

70. On pipe lines operating at stresses of 20 per cent or more of the specified minimum yield strength, stresses induced into the pipe line by construction shall be minimized by,

- (a) grading the trench so that the pipe has a firm substantially continuous bearing on the bottom of the trench and the pipe fits the trench without the use of external force to hold it in place until the backfill is completed; and
- (b) when long sections of pipe that have been welded alongside the trench are lowered in, by not jerking the pipe or imposing any strains that may kink or put a permanent bend in the pipe.

71.—(1) Backfilling shall be performed in a manner to provide firm support under the pipe.

(2) If there are large rocks in the material to be used for backfill, damage to the coating shall be prevented.

(3) Where the trench is flooded to consolidate the backfill, steps shall be taken to ensure that the pipe is not floated from its bearing on the trench bottom.

(4) When the ground is frozen, the pipe line shall bear evenly on the trench bottom. Suitable loose fill material shall be provided in the trench to achieve uniform and adequate support throughout the pipe line. Provision shall also be made to protect the pipe line against damage from frozen backfill.

72. All hot taps shall be installed by trained and experienced crews.

73. Welding or cutting with cutting torches shall not be performed on pipe lines or auxiliary equipment where the pipe line or auxiliary equipment contains a mixture of gas and air.

74. No welding or acetylene cutting shall be done on a pipe line or auxiliary equipment that contains air if it is connected to a source of gas, unless a suitable means has been provided to prevent the leakage of gas into the pipe line.

75.—(1) Where a pipe line full of air is placed in service, the air in it shall be displaced with gas by introducing a moderately rapid and continuous flow of gas at one end of the line and venting the air out the other end. The gas flow shall be continued without interruption until the vented gas is free from air.

(2) Gas in a pipe line may be displaced with air by a procedure in reverse to that set out in subsection 1, but where the rate at which air can be supplied to the line is too small to make the procedure feasible, a slug of inert gas shall be introduced to prevent the formation of an explosive mixture at the interface between gas and air.

(3) When a pipe line containing gas is being removed,

- (a) a slight flow of gas shall be kept moving toward the point where cutting or welding is being done;
- (b) the gas pressure at the site of work shall be controlled;
- (c) all slots or open ends shall be closed immediately after they are cut with tape, tightly fitting canvas or other suitable material; and
- (d) no two openings shall be open at the same time,

or alternately, the line shall be first disconnected from all sources of gas and then thoroughly purged with air, water or with inert gas before any further cutting or welding is done.

(4) If a pipe line or auxiliary equipment is to be filled with air after having been in service and there is a reasonable possibility that the inside surfaces of the facility are wetted with a volatile flammable liquid, or if such liquids might have accumulated in low places, the pipe line shall be purged in a manner that removes the liquid.

76. Whenever the accidental ignition in the open air of a gas-air mixture is likely to occur, precautions shall be taken to prevent personal injury or property damage.

77.—(1) All pipe lines to be operated at a hoop stress of 30 per cent or more of the specified minimum yield strength of the pipe shall be given a field test to prove strength after construction and before being placed in operation.

(2) Pipe lines in Class 1 locations shall be tested with air, water or gas, to a pressure of 1.1 times the maximum allowable operating pressure. Gas shall not be used as a test medium in any location where a forest fire or bush fire might occur if the gas became ignited, or the safety of the public on a highway is involved.

(3) Pipe lines in Class 2 locations shall be tested with water or air to a pressure of 1.25 times the maximum allowable operating pressure.

(4) Subject to subsections 5 and 6, pipe lines in Class 3 or 4 locations shall be tested hydrostatically to a pressure not less than 1.5 times the maximum allowable operating pressure.

(5) If, at the time the pipe line referred to in subsection 4 is first ready for test,

- (a) ground temperature at pipe depth is 32° F. or less, or might fall to that temperature before the hydrostatic test is completed; or

(b) water of satisfactory quality is not available in sufficient quantity,

an air test to 1.1 times the maximum allowable pressure shall be made.

(6) Air testing may be used in Class 3 or 4 locations if,

(a) the maximum hoop stress during test is less than 50 per cent of the specified minimum yield strength in Class 3 locations and less than 40 per cent of the specified minimum yield strength in Class 4 locations;

(b) the maximum pressure at which the pipe line is to be operated does not exceed 80 per cent of the maximum field test pressure used; and

(c) the pipe involved is new pipe having a longitudinal joint factor E of 1.00.

78. Every company shall maintain for the useful life of each pipe line records showing the type of fluid used for the test, test pressure and the duration of the test.

79.—(1) Steel piping that is to operate in a Class 2, 3 or 4 location at hoop stresses of less than 30 per cent of the specified minimum yield strength but in excess of 100 psig shall be tested to at least 1.5 times the maximum actual operating pressure.

(2) The test medium used may be water, air or gas, but air or gas shall not be used to a higher hoop stress during the test than the percentage of the specified minimum yield strength set out in column 2, 3, 4 or 5 for the class of location in the heading thereof, of the following Table:

TABLE
MAXIMUM HOOP STRESS DURING TEST

COLUMN 1	COLUMN 2	COLUMN 3	COLUMN 4	COLUMN 5
	Class 1	Class 2	Class 3	Class 4
Air.....	79.2%	75%	50%	40%
Gas.....	79.2%	30%	30%	30%

80.—(1) Each pipe line except tie-ins shall be tested after construction and before being placed in operation to ensure that it does not leak. If the test indicates a leak exists, the leak shall be eliminated. The test shall be conducted with instruments that are in good repair and of sufficient sensitivity and capacity to detect leakage after taking into consideration the duration of the test and the physical and climatic conditions.

(2) Where a pipe line is to be stressed in a strength-proof test to 20 per cent or more of the specified minimum yield strength of the pipe and gas or air is the test medium, a leak test shall be made at a pressure in the range from 100 psig to that required to produce a hoop stress of 20 per cent of the specified minimum yield strength, or the line shall be walked while the hoop stress is held at approximately 20 per cent of the specified minimum yield strength.

81.—(1) Before pipe lines and related equipment are placed in operation to operate at less than 100 psig, they shall be tested to ensure that they are gas-tight.

(2) Gas may be used as the test medium at the maximum pressure available in the piping system at the time of the test. In this case the soap bubble test may be used to locate leaks if all joints are accessible during the test.

(3) A leak test pressure of 100 psig shall be used on coated pipe lines other than service lines, where the protected coating may seal a split pipe seam.

82. All testing of pipe lines after construction shall be done with due regard for the safety of employees and the public during the test. When air or gas is used, suitable steps shall be taken to keep persons not working on the testing operations out of the testing area during the period in which the hoop stress is first raised from 50 per cent of the specified minimum yield strength to the maximum test stress and until the pressure is reduced to the maximum actual operating pressure.

83.—(1) Cast iron pipe installed under a condition set out in the heading for column 3, 4 or 5 and to have a maximum allowable operating pressure set out in column 2 referable to its size in column 1 shall have a wall thickness not less than that shown opposite thereto,

(a) for pit cast pipe, in Table 1; and

(b) for pipe centrifugally cast in metal molds or sand lined molds, in Table 2,

as follows:

TABLE 1
STANDARD THICKNESSES OF CAST IRON PIT CAST PIPE FOR GAS

Thickness in Inches. Working Pressure in Pounds per Square Inch.
Thicknesses include Allowances for Foundry Practice and Corrosion.

Laying Condition A—Flat Bottom Trench, Without Blocks, Untamped Backfill.

Laying Condition B—Flat Bottom Trench, Without Blocks, Tamped Backfill.

Laying Condition C—Pipe Laid on Blocks, Untamped Backfill.

Laying Condition D—Pipe Laid on Blocks, Tamped Backfill.

COLUMN 1 Size Inches	COLUMN 2 Work- ing Pres- sure	COLUMN 3 3½ Feet of Cover				COLUMN 4 5 Feet of Cover				COLUMN 5 8 Feet of Cover			
		Laying Condition				Laying Condition				Laying Condition			
		A	B	C	D	A	B	C	D	A	B	C	D
4	10	.40	.40	.40	.40	.40	.40	.40	.40	.40	.40	.46	.40
	50	.40	.40	.40	.40	.40	.40	.40	.40	.40	.40	.50	.40
	100	.40	.40	.40	.40	.40	.40	.43	.40	.40	.40	.50	.40
	150	.40	.40	.40	.40	.40	.40	.43	.40	.40	.40	.50	.40
6	10	.43	.43	.46	.43	.43	.43	.50	.43	.43	.43	.54	.43
	50	.43	.43	.46	.43	.43	.43	.50	.43	.43	.43	.54	.43
	100	.43	.43	.46	.43	.43	.43	.50	.43	.43	.43	.58	.43
	150	.43	.43	.50	.43	.43	.43	.50	.43	.43	.43	.58	.43
8	10	.46	.46	.50	.46	.46	.46	.54	.46	.46	.46	.58	.46
	50	.46	.46	.54	.46	.46	.46	.54	.46	.46	.46	.63	.46
	100	.46	.46	.54	.46	.46	.46	.58	.46	.46	.46	.63	.46
	150	.46	.46	.54	.46	.46	.46	.58	.46	.46	.46	.63	.46
10	10	.50	.50	.54	.50	.50	.50	.58	.50	.50	.50	.68	.50
	50	.50	.50	.58	.50	.50	.50	.58	.50	.50	.50	.68	.54
	100	.50	.50	.58	.50	.50	.50	.63	.50	.54	.50	.68	.54
	150	.50	.50	.58	.50	.50	.50	.63	.50	.54	.50	.68	.58
12	10	.54	.54	.58	.54	.54	.54	.63	.54	.54	.54	.68	.58
	50	.54	.54	.58	.54	.54	.54	.63	.54	.58	.54	.73	.58
	100	.54	.54	.63	.54	.54	.54	.63	.54	.58	.58	.73	.58
	150	.54	.54	.63	.58	.58	.54	.68	.58	.63	.58	.79	.63
16	10	.58	.58	.68	.58	.58	.58	.68	.63	.68	.63	.79	.68
	50	.58	.58	.68	.63	.63	.58	.73	.63	.68	.63	.79	.73
	100	.63	.58	.73	.63	.63	.58	.73	.68	.73	.68	.85	.73
20	10	.66	.66	.77	.71	.71	.66	.83	.71	.77	.71	.90	.83
	50	.71	.66	.77	.71	.71	.66	.83	.77	.77	.71	.90	.83
	100	.71	.66	.83	.77	.77	.71	.83	.77	.83	.77	.97	.83
24	10	.74	.74	.80	.74	.80	.74	.86	.80	.86	.80	.93	.86
	50	.80	.74	.86	.80	.80	.74	.93	.86	.86	.80	1.00	.93
	100	.80	.74	.93	.86	.86	.80	.93	.86	.93	.86	1.00	.93
30	10	.87	.87	.94	.87	.94	.87	1.02	.94	1.02	.87	1.10	1.02
	50	.94	.87	1.02	.94	.94	.87	1.10	1.02	1.10	.94	1.19	1.10
36	10	1.05	.97	1.05	.97	1.05	.97	1.13	1.05	1.13	.97	1.22	1.13
	50	1.05	.97	1.13	1.05	1.13	.97	1.22	1.13	1.22	1.05	1.32	1.22
42	10	1.16	1.07	1.16	1.07	1.16	1.07	1.25	1.16	1.35	1.07	1.35	1.25
	50	1.16	1.07	1.25	1.16	1.25	1.07	1.35	1.25	1.35	1.16	1.46	1.35
48	10	1.27	1.18	1.37	1.18	1.37	1.18	1.37	1.27	1.48	1.18	1.60	1.37
	50	1.27	1.18	1.37	1.27	1.37	1.18	1.48	1.37	1.48	1.27	1.60	1.48

TABLE 2

STANDARD THICKNESSES OF CAST IRON GAS PIPE
CENTRIFUGALLY CAST IN METAL MOLDS OR SAND LINED MOLDS

Thickness in Inches. Working Pressure in Pounds per Square Inch. Thicknesses Include Allowances for Foundry Practice and Corrosion.

Laying Condition A—Flat Bottom Trench, Without Blocks, Untamped Backfill.

Laying Condition B—Flat Bottom Trench, Without Blocks, Tamped Backfill.

Laying Condition C—Pipe Laid on Blocks, Untamped Backfill.

Laying Condition D—Pipe Laid on Blocks, Tamped Backfill.

COLUMN 1 Size Inches	COLUMN 2 Work- ing Pres- sure	COLUMN 3 3½ Feet of Cover				COLUMN 4 5 Feet of Cover				COLUMN 5 8 Feet of Cover				
		Laying Condition				Laying Condition				Laying Condition				
		A	B	C	D	A	B	C	D	A	B	C	D	
4	10	.35	.35	.35	.35	.35	.35	.35	.35	.35	.35	.41	.35	
	50	.38†	.38	.38	.38	.38	.38	.38	.38	.38	.38	.38	.41	.38
		.35	.35	.35	.35	.35	.35	.35	.35	.35	.35	.35	.41	.35
		.38†	.38	.38	.38	.38	.38	.38	.38	.38	.38	.38	.41	.38
100	100	.35	.35	.35	.35	.35	.35	.35	.35	.35	.35	.41	.35	
	150	.38†	.38	.38	.38	.38	.38	.38	.38	.38	.38	.38	.41	.38
		.35	.35	.35	.35	.35	.35	.38	.35	.35	.35	.35	.41	.35
		.38†	.38	.38	.38	.38	.38	.38	.38	.38	.38	.38	.41	.38
6	10	.38	.38	.41	.38	.38	.38	.41	.38	.38	.38	.48	.38	
	50	.41†	.41	.41	.41	.41	.41	.41	.41	.41	.41	.41	.48	.41
		.38	.38	.41	.38	.38	.38	.41	.38	.38	.38	.38	.48	.38
		.41†	.41	.41	.41	.41	.41	.41	.41	.41	.41	.41	.48	.41
100	100	.38	.38	.41	.38	.38	.38	.44	.38	.38	.38	.48	.38	
	150	.41†	.41	.41	.41	.41	.41	.44	.41	.41	.41	.41	.48	.41
		.38	.38	.41	.38	.38	.38	.44	.38	.38	.38	.48	.38	
		.41†	.41	.41	.41	.41	.41	.44	.41	.41	.41	.48	.41	
8	10	.41	.41	.44	.41	.41	.41	.48	.41	.41	.41	.52	.41	
	50	.41	.41	.44	.41	.41	.41	.48	.41	.41	.41	.52	.41	
		.41	.41	.48	.41	.41	.41	.48	.41	.41	.41	.56	.41	
		.41	.41	.48	.41	.41	.41	.48	.41	.41	.41	.56	.41	
10	10	.44	.44	.48	.44	.44	.44	.52	.44	.44	.44	.60	.44	
	50	.44	.44	.48	.44	.44	.44	.52	.44	.44	.44	.60	.44	
		.44	.44	.52	.44	.44	.44	.52	.44	.44	.44	.60	.48	
		.44	.44	.52	.44	.44	.44	.56	.44	.48	.44	.60	.48	
12	10	.48	.48	.52	.48	.48	.48	.56	.48	.48	.48	.60	.52	
	50	.48	.48	.52	.48	.48	.48	.56	.48	.48	.48	.60	.52	
		.48	.48	.56	.48	.48	.48	.56	.48	.52	.48	.65	.52	
		.48	.48	.56	.48	.48	.48	.56	.48	.52	.48	.65	.52	
16	10	.54	.50	.58	.54	.54	.50	.63	.58	.58	.54	.73	.63	
	50	.54	.50	.63	.54	.54	.50	.63	.58	.63	.58	.73	.63	
		.54	.54	.63	.58	.58	.54	.68	.58	.63	.58	.73	.68	
		.62	.57	.67	.62	.62	.57	.72	.67	.67	.62	.78	.72	
20	10	.62	.57	.67	.62	.62	.57	.72	.67	.67	.62	.78	.72	
	50	.62	.57	.72	.62	.67	.57	.72	.67	.72	.62	.78	.72	
		.62	.57	.72	.67	.67	.62	.78	.67	.72	.67	.84	.78	
		.62	.57	.72	.67	.67	.62	.78	.67	.72	.67	.84	.78	
24	10	.68	.63	.73	.68	.73	.63	.79	.73	.79	.68	.85	.79	
	50	.68	.63	.79	.68	.73	.63	.79	.73	.79	.73	.85	.79	
		.73	.63	.79	.73	.73	.68	.85	.79	.79	.73	.92	.85	
		.73	.63	.79	.73	.73	.68	.85	.79	.79	.73	.92	.85	
30	10	.79	.73	.85	.79	.85	.73	.92	.85	.92	.79	.99	.92	
	50	.85	.73	.85	.85	.85	.79	.92	.85	.92	.85	.99	.92	
		.87	.81	.94	.87	.94	.81	1.02	.94	1.02	.87	1.10	1.02	
		.94	.81	1.02	.94	1.02	.87	1.10	.94	1.10	.94	1.19	1.02	
42	10	1.05	.90	1.05	.97	1.05	.90	1.13	1.05	1.13	.97	1.22	1.13	
	50	1.05	.90	1.13	1.05	1.13	.97	1.13	1.05	1.22	1.05	1.32	1.13	
		1.14	.98	1.14	1.06	1.14	.98	1.23	1.14	1.33	1.06	1.33	1.23	
		1.14	.98	1.23	1.14	1.23	1.06	1.33	1.14	1.33	1.14	1.44	1.33	

†These shall be used in Class 3 and 4 locations.

(2) For pipe sizes, pressure, thicknesses or laying conditions not shown in Table 1 or 2 to subsection 1, special calculations based on the tables shall be made.

84.—(1) Caulked bell and spigot cast iron joints shall not be used for pressures in excess of 25 psig, unless reinforced with mechanical clamps.

(2) Mechanical cast iron joints shall use gaskets made of a resilient material as their sealing medium. The material selected for gaskets shall be of a type not adversely affected by the gas or condensates in the main. The gaskets shall be suitably confined and retained under compression by a separate gland or follower ring.

(3) Threaded joints shall not be used to couple lengths of the cast iron pipe.

(4) Cast iron flanges shall be cast integrally with fittings or valves.

85.—(1) Cast iron pipe shall be installed underground with a minimum cover of 3½ feet unless prevented by other underground structures, and shall be laid in accordance with good engineering practice.

(2) Where sufficient cover cannot be provided to protect the pipe from external loads or damage and the pipe is not designed to withstand such external loads, the pipe shall be cased or bridged to protect the pipe.

(3) Cast iron pipe shall not be installed in unstable soil unless special provision is made for its uniform support.

(4) Suitable harnessing or buttressing shall be provided at points where the cast iron pipe line deviates from a straight line and the thrust, if not restrained, would part the joints.

86. Cast iron pipe joints shall be leak tested in accordance with sections 80 and 81.

COMPRESSOR STATIONS

87.—(1) The main compressor building for a gas compressor station shall be located at such clear distance from adjacent property not occupied by the company as to minimize the hazard of communication of fire to the compressor building from structures on adjacent property. Sufficiently open space shall be provided around the building to permit the free movement of fire-fighting equipment.

(2) All compressor station buildings that house gas piping larger than two inches in diameter or equipment for handling gas shall be constructed of noncombustible materials.

(3) Every compressor station shall be completely enclosed with a fence at least six feet in height, of adequate construction to generally preclude the entry of unauthorized persons and provided with at least two gates located so as to provide a convenient opportunity for escape to a place of safety. Any gates located within 200 feet of any compressor plant building shall open outward and shall be capable of being opened from the inside without a key when the area within the enclosure is occupied.

88. All electrical facilities that are inside buildings in which gas is continuously handled other than by gauge or instrument lines and that are not separated from the gas piping by a fire-proof and vapour-proof wall shall be deemed to be a Class 1 Group D location under Ontario Regulation 304/63 made under *The Power Commission Act*.

89. Investigation for corrosion in compressor stations shall be made and, if it indicates that corrosion protection is needed, gas piping within compressor stations shall be protected by any recognized method or combination of methods.

90. When condensable vapors are present in the gas stream in sufficient quantity to liquefy under expected pressure and temperature conditions, the suction stream to each stage of compression or, in the case of centrifugal compressors, to each unit shall be protected against the introduction of dangerous quantities of entrained liquids into the compressor. Every liquid separator used for this purpose shall be provided with manually operated facilities for the removal of liquids therefrom. In addition, automatic liquid-removal facilities or an automatic compressor-shutdown device or a high liquid-level alarm shall be used where slugs of liquid might be carried into the compressors.

91.—(1) Each compressor station other than unattended field compressor stations of 1000 horse-power or less, shall be provided with an emergency shutdown system by means of which all gas compressing equipment, all gas fires and all electrical facilities in the vicinity of gas headers and in the compressor building can be shut down and the gas can be blocked out of the station and the station gas piping blown down. The emergency shutdown system shall be capable of being operated from any one of at least two locations outside the gas area of the station, but no more than 500 feet from the limits of the station. Blowdown piping shall extend to a location where the discharge of gas is not likely to create a hazard to the compressor station or surrounding area.

(2) Shutdown facilities installed in a compressor station supplying gas to a piping system that has no other available source of supply shall be equipped to ensure that they do not function at a time other than under the circumstances set out in subsection 1.

(3) Every compressor prime mover, except electric induction or synchronous motors, shall be provided with an automatic device that is designed to shut down the unit before the speed of the prime mover or of the driven unit exceeds the maximum safe speed of either.

92.—(1) Pressure relief or other suitable protective devices shall be installed and maintained in compressor stations and shall be of sufficient capacity and sensitivity to ensure that the maximum allowable operating pressure of the station piping and equipment is not exceeded by more than 10 per cent.

(2) A pressure relief valve or an automatic compressor shutdown device shall be installed in the discharge line of each positive displacement compressor between the gas compressor and the first discharge block valve. The relieving capacity shall be equal to or greater than the capacity of the compressor. If the relief valves on the compressor do not prevent the possibility of overpressuring the pipe line, as specified in section 110, a relieving device shall be installed on the pipe line to prevent it from being over pressured.

(3) Vent lines provided to exhaust the gas from pressure relief valves to atmosphere shall be extended to a location where the gas may be discharged without undue hazard and shall have sufficient capacity so that they will not interfere with the performance of the relief valve.

93. An automatic device shall be provided on each gas engine operating with pressure gas injection that is designed to shut off the fuel when the engine stops, and the engine distribution manifold shall be provided with a vent to automatically operate simultaneously.

94. All gas compressor units shall be equipped with shutdown or alarm devices to operate in the event of inadequate cooling or lubrication of the units.

95.—(1) The external shell of mufflers for engines using gas as fuel shall be designed in accordance with good engineering practice and shall be constructed of ductile materials.

(2) All compartments of the muffler shall be manufactured with vent slots or holes in the baffles to prevent exhaust gas from being trapped in the muffler.

96.—(1) All compressor station gas piping, other than instrument, control and sample piping, to and including connections to the main pipe line shall be of steel and shall be Type C construction.

(2) The provisions of this Regulation concerning the installation of pipe lines apply *mutatis mutandis* to compressor station gas piping.

97. All gas piping within a compressor station shall be tested hydrostatically after installation to at least 1.5 times the maximum allowable operating pressure except that small additions to operating stations need not be tested where operating conditions make it impracticable to test.

98. All emergency valves and controls in a compressor station shall be identified by signs that indicate their function.

99. All fuel lines within a compressor station shall be provided with master shut-off valves located outside of any building or residential area.

100. The pressure regulating facilities for the fuel system for a compressor station shall be provided with pressure limiting devices to prevent the normal operating pressure of the system from being exceeded by

more than 25 per cent and to prevent the maximum allowable operating pressure by being exceeded by more than 10 per cent.

101. Suitable provision shall be made to prevent fuel or starting air from entering the power cylinders of an engine and actuating moving parts while work is in progress on the engine or on equipment driven by the engine.

102. All air piping within gas compressor stations shall be constructed in accordance with good engineering practice.

103. A check valve shall be installed in the starting air line near each engine to prevent backflow from the engine into the air piping system and a check valve shall be placed on the main air line on the immediate outlet side of the air tank.

104. No pipe-type holder or bottle-type holder shall be installed in any location that is not under the exclusive use and control of the operating company.

105. The pipe-type holder or bottle-type holder storage site shall be entirely surrounded with fencing to prevent access by unauthorized persons.

106.—(1) A pipe-type holder or bottle-type holder shall be designed in accordance with section 49 and the design factor is determined in accordance with the following Table:

TABLE

ITEM	COLUMN 1	COLUMN 2
	Design Factor Where maximum allowable operating pressure is less than 1000 psig.	Design Factor Where maximum allowable operating pressure is 1000 psig. or more
1	.72	.72
2	.60	.72
3	.60	.60
4	.40	.40

(2) A pipe-type holder or bottle-type holder shall not be nearer a fenced boundary of the site on which it is located than,

(a) where the maximum allowable operating pressure of the holder is less than 1000 psig, twenty-five feet; or

(b) where the maximum allowable operating pressure of the holder is 1000 psig or more, 100 feet.

(3) A pipe-type holder or bottle-type holder shall not be located nearer another holder than the distance in inches as determined by the following formula:

$$C = \frac{3D \times P \times F}{1000}$$

where,

(a) C is the minimum clearance between holders in inches;

(b) D is the outside diameter of holders in inches;

(c) P is the maximum allowable operating pressure in psig;

(d) F is the Design Factor as determined under the Table to subsection 1.

107.—(1) Pipe containers shall be installed underground with the top of each pipe container below the normal frost line but in no case closer to the surface than twenty-four inches.

(2) Bottles shall be installed underground with the top of each bottle below the normal frost line but in no case closer to the surface than twenty-four inches.

(3) Pipe-type holders shall be tested in accordance with sections 77 and 79 as for a pipe line located in the same location class as the holder site, except that in any case where the test pressure will produce a hoop stress of 80 per cent or more of the specified minimum yield strength of the pipe, water shall be used as the test medium.

(4) Tests made under subsection 3 shall be recorded under section 78.

108. Where bottle-type holders are manufactured from steel that is not weldable under field conditions,

(a) the holders shall be made from steel that is API 5A or ASTM A372;

(b) the ratio of yield strength to tensile strength shall not exceed 85 per cent;

(c) welding shall not be performed on the holders after they have been heat treated or stress relieved, except to attach small copper wires

to the small diameter portion of the bottle end closure for cathodic protection purposes using a localized thermit welding process;

- (d) the holders shall be given a hydrostatic test in the mill, and the mill test pressure shall not be less than that required to produce a hoop stress equal to 85 per cent of the specified minimum yield strength of the steel;
- (e) the holders shall be inspected at the time of installation and no damaged holder shall be used; and
- (f) the holders and connecting piping shall be tested for tightness after installation using air or gas at a pressure of 50 psig above the maximum actual operating pressure.

109.—(1) Pipe-type holders and bottle-type holders shall be protected against external corrosion.

(2) No gas containing more than 0.1 grain of hydrogen sulphide per 100 cubic feet at 14.7 psi absolute and 60° F. shall be stored in a pipe-type holder or bottle-type holder.

(3) Provision shall be made to prevent the formation or accumulation in pipe-type holders, bottle-type holders, connecting piping or auxiliary equipment of liquids that may cause corrosion or that may interfere with the safe operation of the storage equipment.

(4) Relief valves shall be installed on pipe-type holders and bottle-type holders that have relieving capacity capable of limiting the pressure imposed on the filling line and thereby on the storage holder to 110 per cent of the design pressure of the holder, or to the pressure that produces a hoop stress of 75 per cent of the specified minimum yield strength of the steel, whichever is the lesser.

CONTROL AND LIMITING OF GAS PRESSURE

110.—(1) Every pipe line, piping system, consumer's meter and connected facilities, compressor station, pipe-type holder, bottle-type holder, container fabricated from pipe and fittings, and all special equipment, if connected to a compressor or to a gas source where the failure of pressure control or other causes might result in a pressure in excess of the maximum allowable operating pressure of the facility, shall be equipped with suitable pressure relieving or pressure limiting devices.

(2) Suitable pressure relieving or pressure limiting devices include,

- (a) spring loaded relief valves; and
- (b) pilot loaded back-pressure regulators used as relief valves, so designed that failure of the pilot system or control lines will cause the regulator to open.

111.—(1) For a pipe line in good operating condition, the maximum allowable operating pressure is the lesser of,

- (a) the design pressure of the weakest element of the pipe line; and
- (b) the pressure obtained by dividing the pressure to which the pipe line is tested after construction in a location class in column 1 by the factor set opposite thereto in column 2 of the following Table:

TABLE

Column 1	Column 2
Location Class No.	Test Pressure
1	1.10
2	1.25
3	1.50
4	1.50

(2) Where corrosion or other defect would be likely to seriously affect the strength of a pipe line, the company shall determine the safe maximum allowable operating pressure and shall install overpressure protective devices designed to prevent this maximum pressure from being exceeded.

(3) Where a service line is connected to a pipe line the maximum allowable operating pressure of the pipe line shall not exceed the maximum allowable operating pressure of any part of the service line up to the consumer's regulator.

112.—(1) Before increasing the maximum allowable operating pressure of a pipe line that has been operating at a pressure less than that determined under the clause *a* of subsection 1 of section 111 to a new maximum allowable operating pressure that produces a hoop stress of 30 per cent or more of the specified minimum yield strength,

- (a) the design and previous testing of the pipe line and the materials and equipment in it shall be reviewed to determine that the proposed increase in the maximum allowable operating pressure is in accordance with the requirements of this Regulation;
- (b) the condition of the line shall be determined by field inspections and examination of maintenance records and by other suitable means; and
- (c) repairs, replacements or alterations in the pipe line found to be necessary under clauses *a* and *b* shall be made.

(2) The maximum allowable operating pressure may be increased to a new maximum allowable operating pressure after compliance with subsection 1, if,

- (a) the line successfully withstands the test required by this Regulation for a new line to operate under the same conditions; or
- (b) where it is not practicable to test the line under clause *a*, the increased maximum allowable operating pressure does not exceed 80 per cent of the maximum allowable operating pressure for a new line of the same design in the same location.

(3) The maximum allowable operating pressure of a pipe line shall not be increased to a value higher than that permitted by this Regulation for a new line constructed of the same materials and in the same location.

(4) Periodic inspections shall be made of a pipe line while the pressure is being increased and the rate of pressure increase shall be gradual to allow sufficient time for the inspections.

113.—(1) Each high-pressure piping system, supplied from a source of gas that is at a higher pressure than the maximum allowable operating pressure for the system, shall be equipped with pressure regulating devices of adequate capacity, and designed to meet the pressure, load and other service conditions under which they will operate or to which they may be subjected.

(2) In addition to the pressure regulating devices prescribed in subsection 1, a suitable method shall be provided to prevent accidental overpressuring of a high-pressure piping system, which may consist of,

- (a) a device referred to in subsection 2 of section 110;
- (b) weight loaded relief valves;
- (c) a monitoring regulator installed in series with the primary pressure regulator;
- (d) a series regulator installed up-stream from the primary regulator, and set to continuously limit the pressure on the inlet of the primary regulator to the maximum allowable operating pressure of the piping system or less; or
- (e) an automatic shut-off device installed in series with the primary pressure regulator, and set to shut off when the pressure on the piping system reaches the maximum allowable operating pressure or less and to remain closed until manually reset.

114. The maximum allowable operating pressure for a high-pressure piping system shall not exceed,

- (a) the design pressure of the weakest element of the system;
- (b) 60 psig, if the services in the system are not equipped with series regulators or other pressure limiting devices in accordance with section 120;
- (c) 25 psig in cast iron systems having bell and spigot joints that are not reinforced in accordance with subsection 1 of section 84;
- (d) 2 psig in a high-pressure piping system equipped with service regulators that do not meet the requirements of subsection 1 of section 119 and that do not have an overpressure protective device as required by subsection 2 of section 119.

115.—(1) Before increasing the maximum allowable operating pressure of a high-pressure piping system that has been operating at a pressure less than that determined under section 114 to a new maximum allowable operating pressure that produces a hoop stress less than 30 per cent of the specified minimum yield strength, the design of the system including the kinds of material and equipment used shall be ascertained and past maintenance records including the results of any previous leakage surveys shall be studied.

- (2) Before increasing the pressure,
 - (a) a leakage survey shall be made where past maintenance records indicate that such a survey is advisable and all leaks found shall be repaired;
 - (b) parts of the system found to be inadequate for the higher operating pressure shall be repaired or replaced;
 - (c) if the new maximum allowable operating pressure is to be over 60 psig, devices shall be installed on the service lines suitable to regulate and limit the pressure of the gas in accordance with subsection 1 of section 111; and
 - (d) at bends or offsets in coupled or bell and spigot pipe, anchorages determined to be inadequate for the higher operating pressure shall be reinforced or replaced.

(3) Periodic inspection of the piping system shall be made while the pressure is being increased and the rate of pressure increase shall be gradual to allow sufficient time for the inspections.

116.—(1) Each low-pressure piping system supplied from a gas source that is at a higher pressure than the maximum allowable operating pressure for the low-pressure piping system shall be equipped with pressure regulating devices of adequate capacity, designed to meet the pressure, load and other service conditions under which they will operate.

(2) In addition to the pressure regulating devices referred to in subsection 1, a suitable overpressure protective device shall be provided, which may consist of,

- (a) a liquid seal relief valve set to open accurately and consistently at the desired pressure, and to close again when the piping system returns to normal; or
- (b) a device referred to in subsection 2 of section 113.

117. The maximum allowable operating pressure for a low-pressure piping system shall not exceed,

- (a) a pressure that would cause the unsafe operation of any connected and properly adjusted low-pressure gas-burning equipment; or
- (b) a pressure of 2 psig,

whichever is the lesser.

118.—(1) Before converting a low-pressure piping system to a high-pressure piping system,

- (a) the design of the system, including the kinds of material and equipment used, shall be ascertained; and
- (b) past maintenance records including the results of any previous leakage shall be studied.

(2) Before increasing the pressure,

- (a) a leakage survey shall be made when past maintenance records indicate that such a survey is advisable, and leaks found shall be repaired;
- (b) parts of the piping system found to be inadequate for the higher operating pressures shall be reinforced or replaced;
- (c) service regulators shall be installed on each service line and each regulator shall be tested to determine that it is functioning properly;
- (d) the piping system shall be isolated from adjacent low-pressure systems; and
- (e) at the bends or offsets in coupled or bell and spigot pipe, anchorages determined to be inadequate for the higher pressures shall be reinforced or replaced.

(3) Periodic inspection of the piping system shall be made while the pressure is being increased and the rate of pressure increase shall be gradual to allow sufficient time for the inspections.

119.—(1) Where the maximum actual operating pressure of a piping system is between 2 psig and 60 psig the pressure limiting device required by subsection 1 of section 110 may consist of a service regulator,

- (a) that is a pressure regulator capable of reducing pressure to pressures recommended for household appliances;

- (b) that has a single port valve having an orifice diameter no greater than that designed for the maximum allowable operating pressure at the regulator inlet with a valve seat made of resilient material designed to withstand abrasion of the gas, impurities in gas, and cutting by the valve, and to resist permanent deformation when it is pressed against the valve port;
- (c) that has pipe connections that do not exceed two inches in diameter;
- (d) that is of a type capable under normal operating conditions of accurately regulating the downstream pressure and of limiting the build-up of pressure under no-flow conditions to 50 per cent or less of the discharge pressure maintained under flow conditions; and
- (e) that is self-contained with no external static or control lines.

(2) Where the service regulator does not comply with subsection 1, or where the gas contains materials that seriously interfere with the operation of the service regulator, suitable overpressure protective devices shall be installed to prevent overpressuring of the consumer's appliances in case the service regulator fails, which may consist of,

- (a) a monitoring regulator;
- (b) a relief valve; or
- (c) an automatic shut-off device.

120. Where the operating pressure of a piping system exceeds 60 psig, the pressure limiting device required by subsection 1 of section 110 may consist of,

- (a) a service regulator having the characteristics listed in subsection 1 of section 119 and a second regulator located upstream from the service regulator. The second regulator in no case shall be set to maintain pressure higher than 60 psig. A device shall be installed between the second regulator and the service regulator to limit the pressure on the inlet of the service regulator to 60 psig or less in case the second regulator fails to function properly. This device may be either a relief valve, or an automatic shut-off that shuts if the pressure on the inlet of the service regulator exceeds the set pressure and remains closed until manually reset;
- (b) a service regulator and a monitoring regulator set to limit to a maximum safe value the pressure of the gas delivered to the consumer; or
- (c) a service regulator in combination with a relief valve vented to the outside atmosphere, with the relief valve set to open so that the pressure of gas going to the consumer does not exceed a maximum safe value. The relief valve may either be built into the service regulator or it may be a separate unit installed downstream from the service regulator. A service regulator shall not be used in combination with a relief valve where the inlet pressure on the service regulator exceeds 125 psig or the safe working pressure of the service regulator, whichever is the lesser.

121.—(1) Every pressure relief device or pressure limiting device shall,

- (a) be constructed of such materials that the operation of the device is not impaired by corrosion;

- (b) have valves and valve seats that are designed not to stick in a position that will make the device inoperative; and
- (c) be designed and installed so that it can be readily operated to determine if the valve is free, can be tested to determine the pressure at which it will operate and can be tested for leakage when in the closed position.

(2) The discharge stacks, vents or outlet ports of all pressure relief devices shall be located where gas can be discharged into the atmosphere without hazard and, where required to protect devices, the discharge stacks or vents shall be protected with rain caps to prevent the entry of water.

(3) The vent line and the openings in pipe and fittings located between the system to be protected and the pressure relief device shall be of adequate size to prevent hammering of the valve and to prevent impairment of relieving capacity.

122.—(1) Precautions shall be taken to prevent any valve from being operated without the authority of the company to make a pressure relief valve inoperative, except a valve the operation of which isolates the system under protection from its source of pressure.

(2) The precautions may consist of,

- (a) a lock installed to lock the stop valve in the open position and the instruction of personnel in the importance of not inadvertently leaving the stop valve closed and of being present during the entire period that the stop valve is closed so that they can lock it in the open position before they leave the location; or

- (b) duplicate relief valves, each having adequate capacity by itself to protect the system, so that mechanically it is possible to render only one relief device inoperative at a time.

123.—(1) Where a monitoring regulator, series regulator, system relief or system shut-off is installed to protect a piping system from overpressuring, the installation shall be designed and installed to prevent any accidental damage from affecting the operation of both the overpressure protective device and the regulator.

(2) All control lines shall be protected from foreseeable causes of damage and shall be designed and installed to prevent damage to any one control line from making both the regulator and the overpressure protective device inoperative.

124. Each pressure relief station or pressure limiting station or group of such stations installed to protect a piping system shall have sufficient capacity and shall be set to operate to prevent the pressure,

- (a) in the case of a higher-pressure piping system, from exceeding the maximum allowable operating pressure by more than 10 per cent or the pressure that produces a hoop stress of 75 per cent of the specified minimum yield strength, whichever is the lower; or
- (b) in the case of a low-pressure piping system, from exceeding a pressure that would cause the unsafe operation of any connected and properly adjusted gas-burning equipment.

125. Where more than one pressure regulating station or compressor station feeds into a local piping system and pressure relief devices are installed at such stations, the relieving capacity at the other stations may be taken into account in sizing the relief devices at each station, but the relieving capacity referable to the other stations shall be limited to the capacity of the piping system to transmit gas to the

location of the other stations or to the capacity of the relief device at the other stations, whichever is the lesser.

126.—(1) All piping systems shall be equipped with a sufficient number of telemetering or recording pressure gauges to indicate the gas pressure therein.

(2) Where abnormal high or low pressure is indicated, the regulator and the auxiliary equipment shall be inspected to ascertain the cause, and corrective measures shall be taken.

127.—(1) Where a pressure limiting device or pressure relief device consists of an additional regulator that is associated with or functions in combination with one or more regulators in a series to control or limit the pressure in a piping system, inspections shall be made to determine that the equipment operates in a satisfactory manner to prevent any pressure in excess of the maximum allowable operating pressure of the system if any one of the associated regulators does not function properly.

(2) The company shall make inspections periodically to ensure that the combined capacity of the relief devices on a piping system or facility is adequate to limit at all times the gas pressure under operating conditions that create the greatest probable requirement for relief capacity to the limits prescribed by this Regulation.

128.—(1) This section applies to instrument piping, control piping and sample piping.

(2) The materials employed for valves, fittings and piping shall be designed to meet the particular conditions of service.

(3) Take-off connections and attaching bosses, fittings and adapters shall be made of suitable material and shall be capable of withstanding the maximum allowable operating pressure and temperature of the piping or equipment to which they are attached. They shall be designed to withstand all stresses without failure by fatigue.

(4) A shut-off valve shall be installed in each take-off line as near as practicable to the point of take-off. Blow-down valves shall be installed where necessary to ensure the safe operation of the piping, instruments and equipment.

(5) Brass pipe or copper pipe shall not be used for metal temperatures greater than 400° F.

(6) Piping subject to clogging from solids or deposits shall be provided with suitable connections for cleaning.

(7) Piping that may contain liquids shall be protected by heating or other suitable means against damage from freezing.

(8) Piping in which liquids may accumulate shall be provided with drains or drips.

(9) The arrangement of piping and supports shall be designed to provide safety under operating stresses and to provide protection for the piping against detrimental sagging, external mechanical injury, abuse and damage due to unusual service conditions, other than those connected with pressure, temperature and service vibration.

129.—(1) Where a service line pressure requires series regulation under clause *a* of section 120 the upstream regulator shall be located outside of the building served by the service line.

(2) Where a service regulator is installed inside a building, it shall be in a readily accessible location near the place where the service line enters the building served by the service line.

(3) Where practicable, meters shall be installed at the same location as the service regulator, but meters shall not be installed in bedrooms, closets, bathrooms, under stairways or in unventilated or inaccessible places nor closer than three feet to a source of ignition.

(4) Where located outside of buildings, meters and service regulators shall be installed in readily accessible locations and shall be protected from damage.

(5) Regulators requiring vents for their proper and effective operation shall be vented in accordance with section 133.

130. Meters shall not be used at operating pressures higher than the maximum operating pressure rating for the meter. New tinned-steel case meters shall not be used at a pressure in excess of 50 per cent of the test pressure. Rebuilt tinned-steel case meters shall not be used at a pressure in excess of 50 per cent of the pressure used to test the meter after rebuilding.

131. Meters and service regulators shall not be installed where rapid deterioration from corrosion or other causes is likely to occur.

132.—(1) Where the nature of the utilization equipment is such that it may induce a vacuum at the meter, a back-pressure regulator shall be installed downstream from the meter.

(2) A check valve or its equivalent shall be installed if,

- (a) the utilization equipment might induce a back-pressure;
- (b) the utilization equipment is connected to a source of oxygen or compressed air; or
- (c) an additional source of gas or liquefied petroleum gas is used as a standby and might flow back into the meter.

(3) A three-way valve installed to admit the standby supply and at the same time shut off the regular supply, may be substituted for a check valve.

133. All service regulator vents and relief vents shall terminate in the outside air in rain resistant and insect resistant fittings. The open end of the vent shall be located where, if the regulator fails and gas is released, the gas can escape freely into the atmosphere and away from any openings into buildings. At locations where service regulators might be submerged during floods, either a special anti-flood type breather vent fitting shall be installed or the vent line shall be extended above the height of the possible flood waters.

134. Pits and vaults housing meters and regulators shall be designed to support vehicular traffic when installed in,

- (a) travelled portions of alleys, streets and highways;
- (b) driveways;
- (c) parking lots; or
- (d) any other location where vehicles may operate.

135.—(1) All meters and regulators shall be installed in such a manner as to prevent undue stresses upon the connecting piping and the meter.

(2) Connections made of lead or other material that can be easily damaged shall not be used.

(3) Standard weight close nipples shall not be used.

SERVICE LINES

136. The provisions of this Part applying to pipe lines that are service lines are subject to sections 137 to 152.

137.—(1) Service lines shall be installed underground at a depth of not less than twelve inches.

(2) Where there is evidence of condensate in the gas in sufficient quantities to cause interruptions in the gas supply to the customer the service line shall be graded so as to drain into the pipe line or to a drip at the low points in the service line.

138.—(1) Where service lines are installed through the outer foundation wall of a building, they shall be encased in a sleeve or shall be otherwise protected against corrosion, and the space between the service pipe and the sleeve shall be sealed at the foundation wall to prevent entry of gas or water.

(2) Where service lines are installed under buildings, they shall be encased in a gas-tight conduit and, where the service line supplies the building to which it is subjacent, the conduit shall extend into a usable and accessible portion of the building, and at the point where the conduit terminates the space between the conduit and the service pipe shall be sealed to prevent any gas leakage.

(3) The advisability of electrically insulating, near or within the building, those services that are connected through the house piping to electrical ground shall be ascertained.

139.—(1) Soft seat shut-off valves or cocks shall not be used for service shut-offs.

(2) Service shut-offs shall be designed and constructed to minimize the possibility of the removal of the core of the valve or cock accidentally or wilfully with ordinary household tools.

(3) On service lines with a maximum allowable operating pressure in excess of 60 psig the service shut-off valve or cock shall be a pressure-lubricated cock or needle-type valve.

140.—(1) Every company shall install a service shut-off that is readily accessible and is outside a building,

- (a) on every existing service line supplying a building that is not used primarily for residential purposes; and
- (b) on every existing service line supplying a building that is used primarily as a residence for a single family and that operates at a pressure greater than 1 psig or if the pipe is larger than 1½ inches.

(2) Where a consumer's meter is removed and no other meter is immediately substituted therefor, or where the supply of gas to a meter is shut off, the company that owns or operates the service line that served the meter shall effectively seal the service line and shall attach a warning tag to the service line at the meter end identifying the service line as a gas line, and

- (a) where a meter stop valve remains in the service line, shall close the meter stop valve;
- (b) where there is a service shut-off installed in the service line, shall close the service shut-off; and
- (c) where there is no service shut-off installed in the service line outside the building the service line serves, shall close off the supply of gas in the service line at a point outside the building within six years from the date the meter is removed or ceases to be supplied.

(3) The condition and serviceability of the service line shall be inspected at the time the meter is removed or the supply is shut off, and at sufficiently frequent intervals thereafter to ensure public safety until the service is re-activated or abandoned.

(4) Records shall be kept of inspections, meter sets and meter removals.

141.—(1) Each new service line or replacement shall be equipped with a shut-off located on the service line outside of the building in a readily accessible location.

(2) Shut-offs shall be located upstream of the regulator or, where there is no regulator, upstream of the meter.

(3) Underground shut-offs shall be located in a covered durable curb box or standpipe that is supported independently of the service line and is designed to permit ready operation of the valve.

142.—(1) The test for service lines intended to operate at a pressure between 1 psig and 40 psig shall be a stand-up air or gas pressure test at not less than 50 psig for at least five minutes.

(2) Service lines that operate at pressure in excess of 40 psig but that are stressed less than 20 per cent of the specified minimum yield strength shall be tested to 1.5 times the maximum actual operating pressure.

(3) Service lines to operate at a pressure between 0 psig and 1 psig shall be leak-proof before being placed in service.

143.—(1) A service line may be connected to a steel pipe line by,

- (a) welding a service tee or similar device to the pipe line; or
- (b) using a service clamp or saddle.

(2) Compression fittings using rubber or rubber-like gaskets or welding connections may be used to connect service pipe to the pipe line connection fitting. Gaskets shall be of a type that resists effectively any action of the gas carried in the pipe line.

144. Cast iron pipe shall not be used for service lines.

145.—(1) Service lines may be connected to cast iron pipe by drilling and tapping the pipe in accordance with subsection 1 of section 27.

(2) Service line connections shall not be brazed directly to cast iron mains.

COPPER SERVICE LINES AND COPPER PIPE LINES

146. Copper pipe shall not be used for service lines or pipe lines where,

- (a) the pressure exceeds 100 psig;
- (b) the gas carried contains more than an average of 0.3 grains of hydrogen sulfide per 100 standard cubic feet of gas; or
- (c) the piping strain or external loading may be excessive.

147.—(1) Copper pipe used for pipe lines other than service lines shall have a minimum wall thickness of 0.065 inches and shall be hard drawn.

(2) Copper pipe used for service lines shall be of Type K or Type L material and shall have a wall thickness for pipe of the size in column 1 of the following Table of that set opposite thereto in column 2:

TABLE
MINIMUM WALL THICKNESS FOR COPPER PIPE

COLUMN 1 Nominal Pipe Size	COLUMN 2 Wall Thickness in Inches
1/4	0.030
3/8	0.035
1/2	0.040
5/8	0.042
3/4	0.045
1	0.050
1-1/4	0.055
1-1/2	0.060
2	0.070
2-1/2	0.080
3	0.090
3-1/2	0.100
4	0.110
5	0.125
6	0.140
8	0.200
10	0.250
12	0.280

148. Copper service lines within buildings shall not be concealed and shall be protected against external damage.

149. Ferrous valves and fittings installed on copper service lines shall be protected from contact with the soil and insulated from the copper pipe.

150.—(1) Copper pipe shall be joined by using either a compression type coupling or a brazed or soldered lap joint. The filler material used for brazing shall be a copper-phosphorous alloy or silver base alloy. Butt welds shall not be used in joining copper pipe.

(2) Copper pipe shall not be threaded except copper pipe used for connecting screw fittings or valves and having a wall thickness for pipe of the size in column 1 of the following Table of that set opposite thereto in column 2:

TABLE
MINIMUM WALL THICKNESS FOR COPPER PIPE FOR THREADING

COLUMN 1 Nominal Pipe Size	COLUMN 2 Wall Thickness in Inches
1/8	0.068
1/4	0.088
3/8	0.091
1/2	0.109
3/4	0.113
1	0.133
1-1/4	0.140
1-1/2	0.145
2	0.154
2-1/2	0.203
3	0.216
3-1/2	0.226
4	0.237
5	0.258
6	0.280
8	0.322
10	0.365
12	0.406

151. Provision shall be made to prevent harmful galvanic action where copper is connected to steel underground.

152. Connections shall be made to copper pipe lines by a copper or cast bronze service tee or extension fitting, which shall be brazed to the copper pipe.

VALVES

153.—(1) Sectionalizing valves in a transmitting pipe line of a high-pressure piping system shall be installed at a spacing not to exceed twenty miles within Class 1 locations, fifteen miles within Class 2 locations, eight miles within Class 3 locations and five miles within Class 4 locations.

(2) Sectionalizing valves in the transmitting pipe line shall be accessible and protected from damage and tampering.

(3) An operating device to open or close the valve shall be installed in a location that is readily accessible to authorized persons.

(4) Blow-down valves shall be provided so that each section of pipe line between sectionalizing valves can be blown down and shall be located where the gas can be blown to the atmosphere without hazard. The sizes and capacity of the connections for blowing down the line shall be such that under emergency conditions the section of line can be blown down rapidly as is necessary to prevent any adverse effect on the connecting systems.

154.—(1) Valves in high-pressure piping systems shall be installed in accessible locations at intervals governed by the operating pressure, the size of the pipe lines, local physical conditions and the number and type of consumers that might be affected by a shut-down.

(2) A valve shall be installed on the inlet piping of each regulator station controlling the flow or pressure of gas in a piping system. The distance between the valve and the regulators shall be sufficient to permit the operation of the valve during an emergency.

(3) Valves shall be located in a manner that will provide ready access for their operation during an emergency. Where a valve is installed in a buried box or enclosure, the box or enclosure shall be installed in a manner to avoid transmitting external loads to the pipe line and valve.

155.—(1) Vaults and pits shall be designed and constructed in accordance with good structural engineering practice to meet the loads that may be imposed on them.

(2) Sufficient working space shall be provided so that all of the equipment required in the vault can be properly installed, operated and maintained.

(3) Vaults and pits for pressure limiting, pressure relieving and pressure regulating equipment shall be designed to protect the equipment from damage.

(4) Pipe entering and within regulator vaults or pits shall be steel for sizes ten inches and less, except that control and gauge piping may be copper. Where piping extends through a wall of a vault or pit, provision shall be made to prevent the passage of gases or liquids through the opening and to avoid strains in the piping. Equipment and piping shall be suitably held in place. The control piping shall be placed in the vault or pit so that its exposure to injury or damage is minimized.

156.—(1) Vault or pit openings shall be located to minimize the possibility of damage to equipment from falling objects. The control piping and the operating parts of the equipment installed shall not be located under a vault or pit opening, unless they are protected against possible damage by persons entering or leaving.

(2) A vault or pit opening located above equipment shall be equipped with a circular cover or other means of ensuring that the cover does not fall into the vault or pit.

157. The selection of a site for a vault or pit shall be governed by,

- (a) its accessibility;
- (b) its exposure to traffic;
- (c) its exposure to flooding; and
- (d) its exposure to other hazards.

158.—(1) Each underground vault or closed pit containing a pressure regulating station, a pressure limiting station or a pressure relieving station, having an internal volume in excess of 200 cubic feet shall be ventilated to minimize the possibility of combustible atmosphere forming in the vault or pit, and the ventilation shall consist of at least two ducts each having at least the ventilating effect of a pipe four inches in diameter.

(2) The ducts shall extend to a height above ground level adequate to disperse any mixture of gas and air that might be discharged. The outside end of the ducts shall be equipped with a weather-proof fitting or venthead designed to prevent foreign matter from entering or obstructing the duct. The horizontal section of the ducts shall be as short as possible and shall be pitched to prevent the accumulation of liquids in the ducts. The number of bends and offsets shall be reduced to a minimum and provisions shall be incorporated to facilitate the periodic cleaning of the ducts.

159.—(1) Where vaults or pits having an internal volume of between 75 cubic feet and 200 cubic feet are not ventilated, all openings shall be equipped with tight fitting covers without open holes. Means shall be provided for testing the internal atmosphere before removing the cover.

(2) Where vaults or pits referred to in subsection 1 are ventilated by means of openings in the covers or gratings, the ratio of the internal volume, in cubic feet, to the effective ventilating area of the cover or grating, in square feet, shall not be less than 20 to 1.

160.—(1) Provision shall be made to minimize the entrance of water into vaults and pits and equipment in vaults and pits shall be designed to operate safely when submerged.

(2) No vault or pit containing gas piping shall be connected by means of a drain connection to a sewer or any other underground structure.

161.—(1) Where regulators, meters or other equipment for liquefied petroleum gas are installed in structures above ground, the structures shall have open vents near the floor level and such equipment shall not be installed in pits or in underground vaults unless suitable provisions for forced ventilation are made.

(2) Relief valve discharge vents for liquefied petroleum gas shall be located so that liquefied petroleum gas released to atmosphere does not accumulate at or below ground level and excavations made for the repair of leaks in an underground liquefied petroleum gas piping system shall be ventilated.

PART VI

OPERATING AND MAINTENANCE PROCEDURES

162.—(1) Every company shall formulate in writing a plan of operating and maintenance procedures in accordance with this Regulation and shall,

- (a) instruct their operating and maintenance personnel as to the plan and ensure that such personnel are qualified to carry out the plan;
- (b) operate and maintain its facilities in conformance with the plan;

(c) modify the plan from time to time to reflect its best experience and changes in operating conditions; and

(d) keep detailed records of failures, leaks, repairs, tests, inspections, pressure recording charts, odorant concentration tests and other information relevant to the administration of the plan.

(2) In addition to any other consequence or penalty provided by the Act or this Regulation, where a company fails to comply with subsection 1, the company shall not install any new service in the period during which the failure to comply continues.

163. Where a leak, serious corrosion, impaired equipment or condition likely to cause impairment or other defect or latent defect is discovered and public safety is endangered thereby, the defective part shall be repaired or replaced immediately.

164.—(1) The plan of operating and maintenance procedures shall include a pipe line patrol program to observe conditions on and adjacent to the pipe line right of way, indications of leaks, construction activity and any other factors affecting the safe operation of the pipe line and its components.

(2) The patrols shall be sufficiently frequent to ensure the safe operation of the pipe line, having regard to the prevailing weather, terrain, size of line, operating pressures and class of location.

165.—(1) The pipe line patrol program shall include regular surveys for detecting leaks likely to affect public safety by an effective method, which may consist of,

- (a) gas detector surveys;
- (b) bar test surveys;
- (c) vegetation surveys;
- (d) pressure drop surveys; or
- (e) testing exposed pipe or fittings by means of soapsuds.

(2) The frequency of leakage surveys shall be determined by the condition of the pipe line and by the density of the population and the consequences of an undetected leak.

166. The plan of operating and maintenance procedures shall include periodic inspections and tests to determine whether the methods used for control of corrosion are adequate and are properly maintaining protection to the pipe line.

167. The plan of operating and maintenance procedures shall include sound procedures for,

- (a) starting, operating and shutting down gas compressor units;
- (b) periodic inspections for corrosion in gas compressor stations at intervals sufficiently frequent to discover corrosion before serious impairment of the strength of pipe or equipment has occurred; and
- (c) the isolation of units or sections of piping for the purpose of maintenance and for purging the units or piping before returning them to service.

168. The plan of the operating and maintenance procedures shall include systematic periodic inspection and testing of pipe-type holders or bottle-type holders, providing for,

- (a) the detection of external corrosion before the strength of the holder has been impaired;

- (b) periodic sampling and testing of gas in storage to determine the dew point of vapours in the stored gas that might cause internal corrosion or interfere with the safe operation of the storage plant; and
- (c) inspection of the pressure control and pressure limiting equipment and periodic testing to determine if it is in a safe operating condition and has an adequate capacity.

169. The plan of operating and maintenance procedures shall include systematic periodic inspections and testing of pressure limiting stations, pressure relief devices and pressure regulating stations, sufficient to keep the company informed of,

- (a) their mechanical condition;
- (b) their capacity and reliability of operation for the service in which they are employed;
- (c) the pressure at which they are set to function; and
- (d) the existence of dirt, liquids and other conditions that might prevent proper operation.

170. The plan of operating and maintenance procedures shall include systematic periodic inspection, servicing and testing of valves, including,

- (a) inspecting the alignment to ensure the valve can be turned by a key or wrench;
- (b) the removal of any matter that might interfere with the use of the valve; and
- (c) lubrication of the valve.

171. The plan of operating and maintenance procedure shall include systematic periodic inspection of structures housing pressure regulating or pressure limiting equipment, sufficient to determine whether,

- (a) the structure is in good physical condition and adequately vented;
- (b) any gas is present in the atmosphere of the structure;
- (c) the ventilating equipment is functioning properly; and
- (d) the vault or pit cover is safe.

172.—(1) When a service line is abandoned,

- (a) it shall be cut as near to the pipe line to which it connects as is practicable;
- (b) the service shut-off valve box shall be removed or effectively plugged and if the valve is left in the service line it shall be turned to the closed position;
- (c) the service line shall be sealed at the place where it enters the wall of the building it served; and
- (d) all open ends in the service line shall be sealed.

(2) Sealing shall be of such a nature as to effectively prevent the flow of gas.

(3) A service line shall be deemed to be abandoned where,

- (a) the building it serves is removed or torn down;
- (b) it is replaced with another service line;

(c) it is in a condition that is not suitable for the service intended;

(d) it is in a condition that may cause a hazard to the public safety; or

(e) the meter it serves has been removed or the supply of gas has been shut off for a period of ten years.

(4) Subject to subsection 5, this section applies to service lines that have been abandoned and remain abandoned on the 25th day of January, 1960, or that are abandoned thereafter.

(5) Where a meter has been removed or the supply of gas to a meter has been shut off and the meter remains removed and the supply remains shut off on the 25th day of January, 1960, the periods referred to in clause *e* of subsection 3 of this section and in clause *c* of subsection 2 of section 140 shall be deemed to begin to run on the 25th day of January, 1960.

173.—(1) Where a pipe line other than a service line is abandoned and not removed and is disconnected or separated, it shall be thoroughly purged of gas and the end shall be capped, plugged or otherwise effectively sealed.

(2) Where the major portion of a gas piping system is abandoned, the system shall be cut into as many parts as will render the abandoned piping system safe.

174. No person shall smoke or ignite a spark or flame, or permit a flame to burn in an area of a gas compressor station in which gas may be present in the atmosphere, whether from undiscovered leaks or any other source.

175. Gas that is distributed to consumers through service lines or used for domestic purposes in compressor plants and that does not naturally possess a distinctive odour so that concentrations of one-fifth of the lower explosive limit and above are readily detectable shall have an odour added to it to make it detectable by sense of smell at concentrations of one-fifth of the lower explosive limit or less.

176. Regulation 132 of Revised Regulations of Ontario, 1960 and Ontario Regulations 157/61 and 350/63 are revoked.

Appendix A

1.—(1) In this Appendix,

- (a) "burn-through area" means that area in the root bead where excessive penetration has caused the weld puddle to be blown into the pipe;
- (b) "elongated slag inclusion" means a slag inclusion located in the fusion zone;
- (c) "gas pockets" means voids occurring in the weld metal;
- (d) "inadequate penetration" means the incomplete filling of the bottom of the weld groove with weld metal;
- (e) "incomplete fusion" means the lack of bond between beads or between the weld metal and the pipe metal;

- (f) "isolated slag inclusion" means an irregularly shaped slag inclusion located in a weld elsewhere than in the fusion zone;
- (g) "slag inclusion" means a non-metallic solid entrapped in weld metal or between the weld metal and the pipe metal;
- (h) "twelve-inch lengths" means succeeding twelve-inch lengths measured from the top centre of the pipe;
- (i) "undercutting" means the burning away of the side-walls of a welding groove at the edge of a layer of weld metal.
- (2) In this Appendix,
- (a) all measurements for the location of test specimens are taken clockwise from the top centre of the pipe, facing in the direction of the construction; and
- (b) the length of a defect is measured along the circumferential weld.

TESTS AND STANDARDS FOR WELDS

2. The type and number of test specimens shall be as specified in the Table.

3. Test specimens shall be removed as shown in Figure 1, shall be spaced approximately equidistant around the pipe, and shall be prepared for tests as shown in Figures 2, 3 and 4, and as prescribed in paragraphs 8, 9 and 11.

4. Tensile test specimens shall be ruptured under tensile load. The tensile strength shall be computed by dividing the maximum load at failure by the least cross-sectional area of the specimen as measured before load is applied. The tensile strength of each specimen shall be equal to or greater than the minimum specified tensile strength of the pipe material. If the specimen breaks in the pipe metal outside of the weld or fusion line, the test shall be accepted as meeting the requirements provided the strength is not more than 5 per cent below the specified minimum tensile strength of the pipe metal. Each specimen subjected to tensile load shall meet the above requirements.

5. Face-bend and root-bend specimens shall be bent in a test jig having dimensions shown in Figure 5. The specimen shall be placed on the die of the test jig with the weld at mid-span. The face-bend specimen shall be placed with the face of the weld directed toward the gap and the root-bend specimen shall be placed with the root of the weld directed toward the gap. The plunger of the jig shall be forced into the gap until the curvature of the specimen is approximately U-shaped. The bend test shall be considered acceptable if no crack or other defect exceeding one-eighth of an inch in any direction is present in the weld metal or between the weld and the pipe material after bending. Each specimen subjected to the bend test shall meet the above requirements. Cracks that originate along the edges of the specimen during testing and that are less than one-quarter of an inch measured in any direction shall not be considered.

6. Nick-break specimens shall be notched by hacksaw from both edges of the specimen and at the centre of the weld. They shall be broken by pulling or hammer blows at the centre or one end of the specimen. The exposed surface of the specimen shall show no more than six gas pockets per square inch, with the greatest dimension not to exceed one-sixteenth of an inch. Slag inclusions shall not be greater than one-thirty-second of an inch in depth or one-eighth of an inch in width, and shall be separated by at least one-half inch of sound weld metal. Each specimen subjected to the nick-break test shall meet the requirements of this paragraph.

7. The weld shall be free of cracks, inadequate penetration, burn-through, and other obvious defects, and it shall present a neat workman-like appearance. Undercutting adjacent to the final bead on the outside of the pipe shall not exceed one-thirty-second of an inch in depth.

8. Tensile-test specimens as shown in Figure 2 shall be approximately one inch wide; the weld reinforcements, both at the face and at the root of the weld, shall not be removed. Specimens may be oxygen-cut, and without additional machining or preparation if the sides are parallel and free from notches or unevenness which may adversely affect the test results.

9. Nick-break test specimens as shown in Figure 3 may be oxygen-cut and without additional preparation. The specimens shall be notched by hacksaw on both edges of the specimen at the centre of the weld to cause failure in the weld metal, and shall be broken,

- (a) by pulling in a suitable testing machine;
- (b) by supporting the ends and striking the centre of the specimen with a heavy hammer; or
- (c) by supporting one end of the specimen in a vice and striking the other end with sharp hammer blows. The exposed area of the fracture shall have a minimum width of one inch.

10. The nick-break test shall show complete penetration and fusion throughout the entire thickness of the weld specimen. If inadequate penetration occurring in one of the test specimens is not representative of the weld, the specimen may be replaced by another specimen cut adjacent to the specimen that was rejected. The exposed surface shall show no more than six gas pockets per square inch with the greatest dimension not to exceed one-sixteenth of an inch. Slag inclusion shall be not greater than one-thirty-second of an inch in depth or one-eighth of an inch in width and shall be separated by at least one-half of an inch of sound weld metal.

11. Bend-test specimens as shown in Figure 4 shall be approximately one inch wide and may be oxygen cut. Both the cover and root bead reinforcement shall be removed flush with the pipe wall. Final removal of excess metal shall leave the surface free of deep scratches, and any remaining scratches shall be transverse to the weld. Sharp edges shall be reduced to a smooth radius. One-half the number of specimens shall be subjected to face-bend tests, and the other half of the number of specimens shall be subjected to root-bend tests.

12. All bend-test specimens shall be tested in a guided-bend test jig, similar to that shown in Figure 5. Each specimen shall be placed on the die with the weld at mid-span. Face-bend specimens shall be placed with the face of the weld directed toward the gap; root-bend specimens shall be placed with the root of the weld directed toward the gap. The plunger shall be forced into the gap until the curvature of the specimen is approximately U-shaped.

13. The bend test shall be considered acceptable if,

- (a) no crack or other defect exceeding one-eighth of an inch in any direction is present in the weld metal or between the weld and the pipe material after bending, but cracks that originate along the edges of the specimen during testing and that are less than one-quarter of an inch measured in any direction shall not be considered; or
- (b) the specimen cracks or fractures during bending and the exposed surface shows,
- (i) complete penetration and fusion throughout the entire thickness of the weld specimen,

- (ii) no more than six gas pockets per square inch with the greatest dimension not exceeding one-sixteenth of an inch, and
- (iii) at least one-half inch of sound metal separating slag inclusions, and no slag inclusion greater than one-thirty-second of an inch in depth or one-eighth of an inch in width.

If necessary, the specimen shall be broken apart to permit examination of the fracture. Weld test specimens in high-test API 5LX pipe that cannot be bent the full U-shape shall be qualified under this clause.

14. Laminations, split ends or other defects in the pipe shall be cropped, repaired or removed from the line.

15. Any individual defects due to inadequate penetration or incomplete fusion shall not exceed one inch in length. The total length of such defects in any twelve-inch length of weld shall not exceed one inch. The total length of such defects in any two succeeding twelve-inch lengths shall not exceed two inches and individual defects shall be separated by at least six inches of sound weld metal.

16. Any individual burn-through area shall not exceed one-half inch in length. The total length of burn-through area in any twelve-inch length of weld shall not exceed one inch. The total length of burn-through area in any two succeeding twelve-inch lengths shall not exceed two inches and individual defects shall be separated by at least six inches of sound weld metal.

17.—(1) Any elongated slag inclusions shall not exceed two inches in length or one-sixteenth of an inch in width. The total length of elongated slag inclusions in any twelve-inch length of weld shall not exceed two inches and the total length of elongated slag inclusions in any two succeeding twelve-inch lengths shall not exceed four inches. Adjacent elongated slag inclusions shall be separated by at least six inches of sound weld metal. Parallel slag lines shall be considered as individual defects if their individual width is greater than one-thirty-second of an inch.

(2) The maximum width of any isolated slag inclusion shall not exceed one-eighth of an inch. The total length of isolated slag inclusions in any twelve-inch length of the weld shall not exceed one-half inch, nor shall there be more than four isolated slag inclusions of the maximum width of one-eighth of an inch in this length. The total length of isolated slag inclusions in any twenty-four-inch length of weld shall not exceed one inch. Adjacent isolated slag inclusions shall be separated by two inches of sound weld metal.

18. The maximum dimension of any individual gas pocket shall not exceed one-sixteenth of an inch. Maximum distribution of gas pockets shall not exceed that shown in Figures 6 and 7.

19. No weld containing cracks, regardless of size or location is acceptable except as provided for in paragraphs 22 and 23.

20. Any accumulation of discontinuities having a total length of more than two inches in a weld length of twelve inches is unacceptable. Any accumulation of discontinuities which total more than 10 per cent of the weld length of a joint is unacceptable.

21. Undercutting adjacent to the cover bead on the outside of the pipe shall not exceed one-thirty-second of an inch in depth and two inches in length. Undercutting adjacent to the root bead on the inside of the pipe shall not exceed two inches in length.

22. Cracks visible in the surface bead and not more than two inches in length may be repaired, but any crack penetrating the root bead or the second bead shall be cause for complete rejection of the weld. The entire weld shall then be cut from the line and replaced. Repairs may be made to pin holes and undercuts on the final bead.

23. Before repairs are made, injurious defects shall be entirely removed by chipping, grinding or oxygen gouging to clean metal. All slag and scale shall be removed by wire brushing. Such repaired areas shall be re-radiographed, or inspected by the same means previously used. No further repairs shall be allowed in repaired areas.

TABLE
TYPE AND NUMBER OF TEST SPECIMENS FOR WELDING PROCEDURE TEST

Pipe Size: Outside Diameter (Inches)	Total Number of Specimens	Number of Specimens			
		Tensile	Nick Break	Bends	
				Root	Face
4½ and smaller	4	2	2
6⅝ to 12¾ inclusive	8	2	2	2	2
14 and larger	16	4	4	4	4

FIGURE 1

LOCATION OF TEST SPECIMENS
PROCEDURE QUALIFICATION TEST WELD

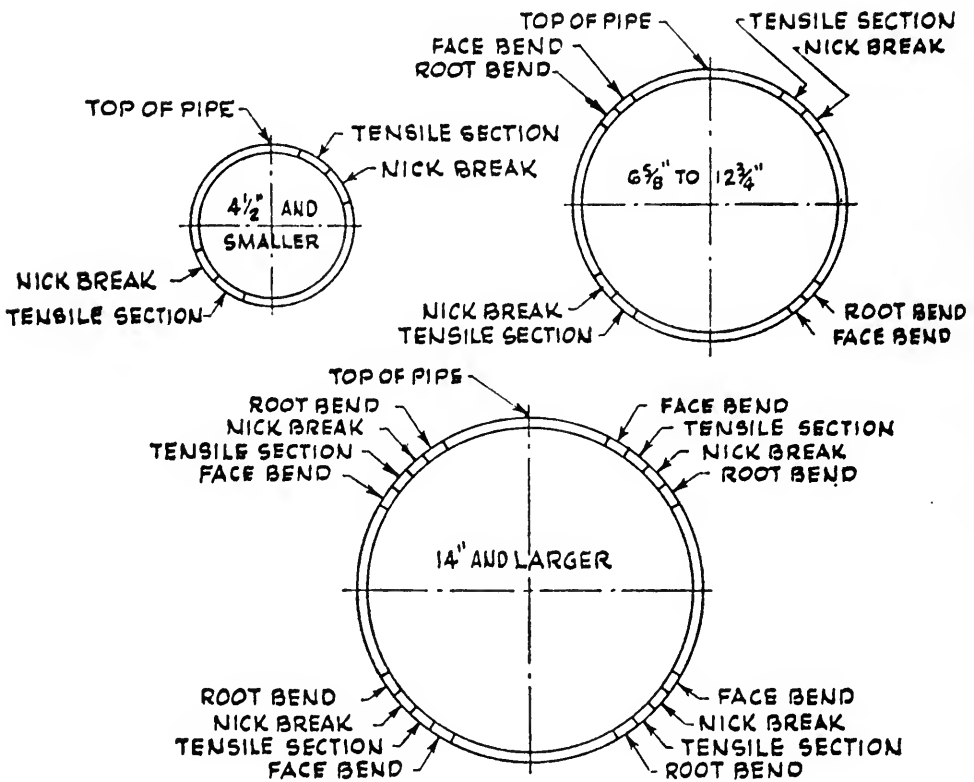


FIGURE 2

TENSILE TEST SPECIMEN

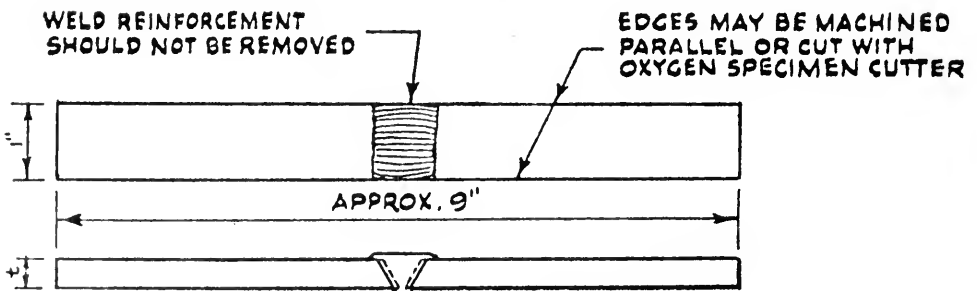


FIGURE 3

NICK-BREAK TEST SPECIMEN

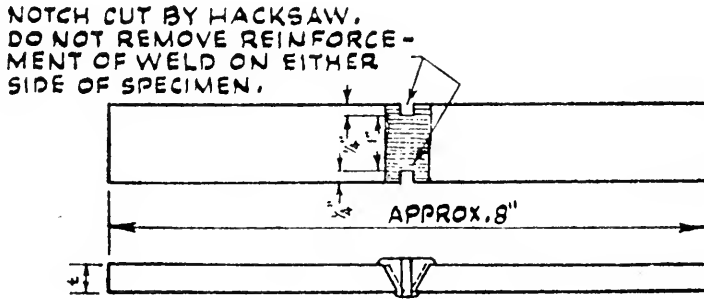
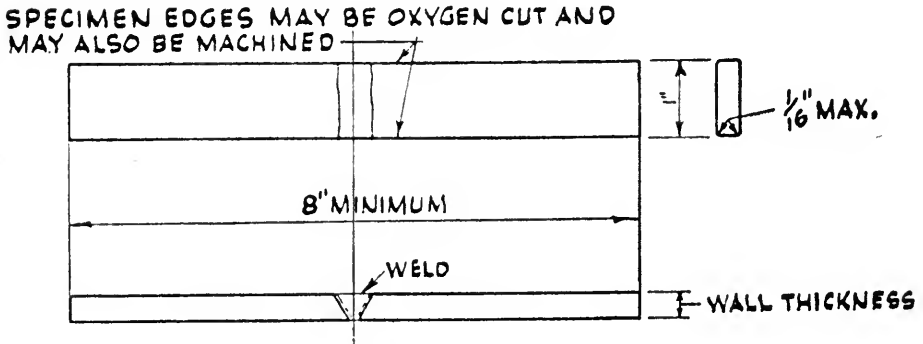


FIGURE 4

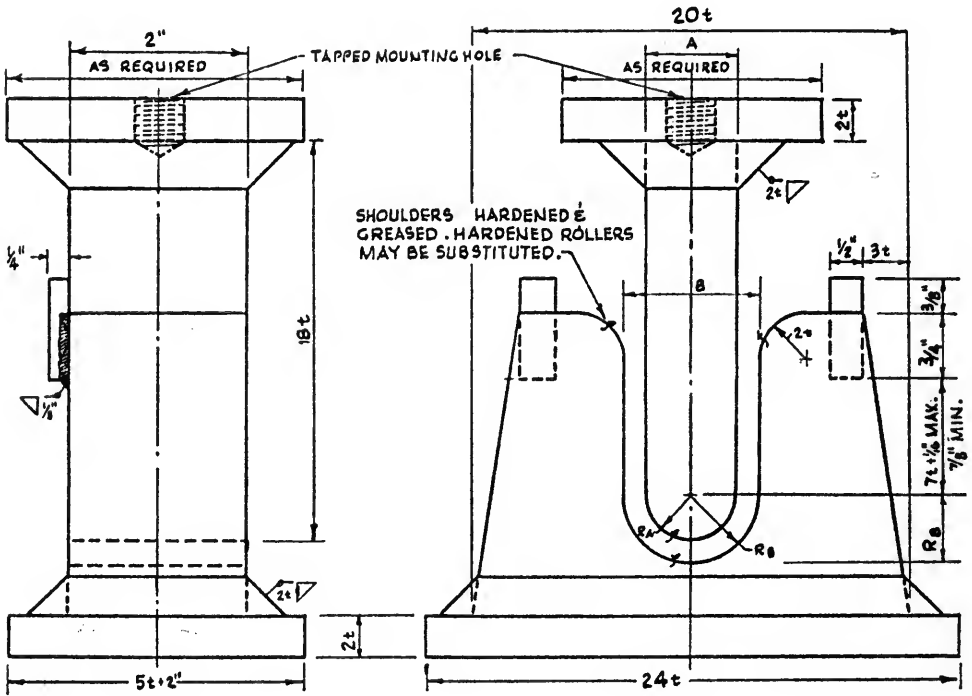
GUIDED-BEND TEST SPECIMEN



WELD REINFORCEMENT SHALL BE REMOVED FROM
BOTH FACES FLUSH WITH THE SURFACE OF THE SPEC-
IMEN.

FIGURE 5

JIG FOR GUIDED-BEND TEST



GUIDED-BEND TEST JIG DIMENSIONS

	PIPE GRADE		
	X42*	X46	X52
RADIUS OF PLUNGER..... R _A	3t	3½t	4t
RADIUS OF DIE..... R _B	4t	4½t	5t
WIDTH OF PLUNGER..... A.....	6t + 1/16"	7t + 1/16"	8t + 1/16"
WIDTH OF GROOVE IN DIE..... B.....	8t + 1/8"	9t + 1/8"	10t + 1/8"

† = TABULATED WALL THICKNESS OF PIPE

FOR INTERMEDIATE GRADES OF PIPE, THE ABOVE DIMENSIONS OF THE BENDING JIG SHALL CONFORM TO THOSE SHOWN FOR THE NEXT LOWER GRADE OR SHALL BE PROPORTIONAL THERETO.

*Note: ALSO APPLIES TO ALL GRADES API 5L AND ASTM

FIGURE 6

MAXIMUM DISTRIBUTION OF GAS POCKETS

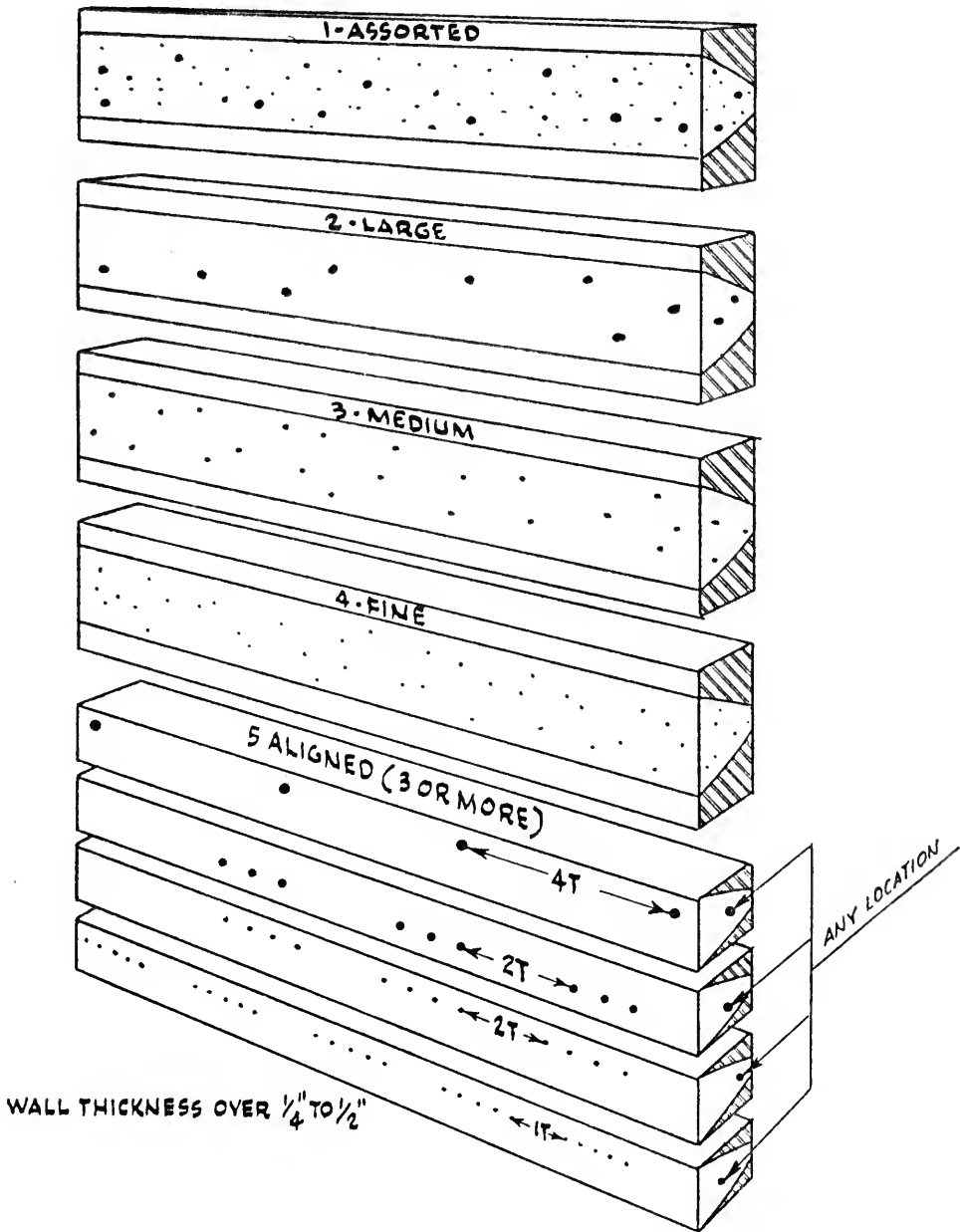
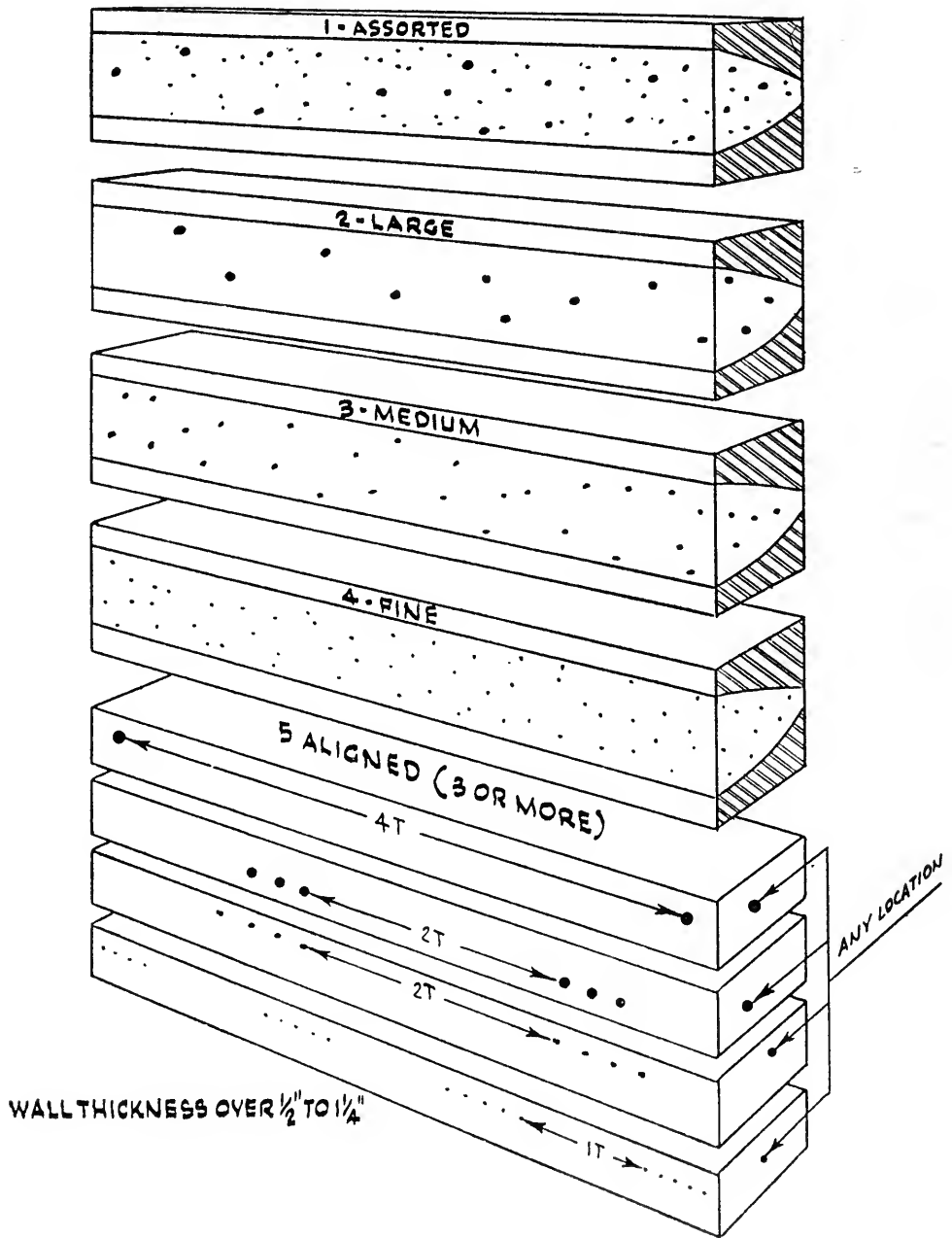


FIGURE 7

MAXIMUM DISTRIBUTION OF GAS POCKETS



Appendix B

FLATTENING TEST FOR PIPE

1. The flattening test shall be made on standard weight and extra strong pipe over two inches in nominal diameter. It is not required for double extra strong pipe.

2. For lap-welded and butt-welded pipe the test section shall be four to six inches in length and the weld shall be located 45° from the line of direction of the applied force.

3. For electric-resistance welded pipe, both crop ends from each length of pipe shall be flattened between parallel plates, with the weld at the point of maximum bending, until opposite walls of the pipe meet. No opening in the weld shall take place until the distance between the plates is less than two-thirds of the original outside diameter of the pipe. No cracks or breaks in the metal elsewhere than in the weld shall occur until

the distance between the plates is less than one-third of the original outside diameter of the pipe, but in no case less than five times the thickness of the pipe wall. Evidence of lamination or burnt material shall not develop during the entire flattening process, and the weld shall not show injurious defects.

4. For seamless pipe the test section shall not be less than 2½ inches in length.

5. The test shall consist of flattening a section of pipe between parallel plates until opposite walls meet. For welded pipe, no opening in the weld shall take place until the distance between the plates is less than three-quarters of the original outside diameter for butt-weld or two-thirds the outside diameter for lap-weld and electric-resistance weld, and no cracks or breaks in the metal elsewhere than in the weld shall occur until the distance between the plates is less than that shown in column 2 of the following Table for the kind of pipe set opposite thereto in column 1:

TABLE

COLUMN 1	COLUMN 2
<u>Kind of Pipe</u>	<u>Distance Between Plates "H"</u>
For butt-welded pipe.....	60 per cent of outside diameter
For lap-welded pipe.....	one-third the outside diameter
For electric-resistance welded pipe.....	one-third the outside diameter
For seamless pipe Grades A and B.....	to the distance "H" as determined under the formula set forth in paragraph 6.

6. The least distance between plates for testing seamless pipe Grades A and B, as represented by H, shall be determined by the following formula,

$$\text{where } H = \frac{(1 + e)t}{e + t/D}$$

- H = distance between flattening plates in inches,
- t = nominal wall thickness of pipe in inches,
- D = actual outside diameter of pipe in inches, and
- e = deformation per unit length being 0.09 for Grade A and 0.07 for Grade B seamless pipe.

Appendix C

1. The yield strength is the tensile stress required to produce a total elongation of 0.5 per cent of the gauge length as determined by an extensometer or by multiplying dividers.

TENSILE TESTS

2. For hot-rolled seamless pipe in all sizes and for welded and cold-worked seamless pipe in size 6¾ inches the tensile properties shall be determined by tests on longitudinal specimens conforming to the requirements of paragraphs 5, 6 and 7.

3. For welded pipe and cold-worked seamless pipe, in sizes 8¾ inches and larger, the tensile properties shall be determined by tests on transverse specimens conforming to the requirements of paragraph 8.

4. Tensile tests on all longitudinal specimens and on all transverse body-test specimens shall include yield strength, tensile strength, and elongation determinations. Transverse yield strength may be determined by the ring-expansion method. Transverse weld-test specimens need to be tested for tensile strength only. All tensile tests shall be made with the specimens at room temperature.

5. Longitudinal tensile test specimens shall be either full-section specimens or strip specimens. Strip specimens from seamless pipe may be taken from any location. Strip specimens from mill-welded pipe shall be taken approximately 90° from the weld or from the skelp, parallel to the direction of rolling and approximately midway between the edge and the centre.

6. All longitudinal strip specimens shall be approximately 1½ inches wide in the gauge length if suitable curved-face testing grips are at hand; otherwise they shall be approximately one inch wide for 6¾ inch pipe, and approximately 1½ inches wide for pipe 8¾ inches and larger.

7. Longitudinal test specimens shall represent the full wall thickness of the pipe from which the specimen was cut, and shall be tested without flattening.

8. Transverse tensile test specimens from seamless pipe may be taken from any location; transverse body-test specimens from welded pipe shall be taken opposite the weld; transverse weld-test specimens shall be taken with the weld at the centre of the specimen. All transverse test specimens shall be approximately 1½ inches wide in the gauge length, and shall represent the full wall thickness of the pipe from which the specimen was cut.

9. All test specimens shall be selected at random and the number of tensile tests shall be as follows:

- For a lot of ten lengths or less..... } one set of tests for each length.
- For a lot of over ten and under 100 lengths. } one set of tests for each five lengths, but not less than ten sets of tests.
- For a lot of 100 lengths or more..... } one set of tests for each ten lengths, but not less than twenty sets of tests.

(1701)

THE ENERGY ACT, 1964

O. Reg. 335/64.

Fuel Oil Code.

Made—December 10th, 1964.

Filed—December 11th, 1964.

NOTE: *This Regulation does not come into operation until The Energy Act, 1964 is proclaimed in force.*
See R.S.O. 1960, c. 191, s. 5.

REGULATION MADE UNDER
THE ENERGY ACT, 1964

FUEL OIL CODE

1. The code of standards made by the Canadian Standards Association contained in the publication entitled Installation Code for Oil Burning Equipment and numbered CSAB. 139-1962 is adopted with the following changes:

1. The revision of the list of reference publications on page 7 as follows:

"D86-59" to read "D86-62";
(See separate revision of Clause G4 (e));

"D93-58T" to read "D93-62";
(Make a similar revision in Clause G4 (a));

"D95-58" to read "D95-62";
(Make a similar revision in Clause G4 (b) (ii));

"D96-60T" to read "D96-62";
(Make a similar revision in Clause G4 (b) (i));

Delete reference to D158-59;
(See separate revision of Clause G4 (e));

"D445-60" to read "D445-61";
(Make a similar revision in Clause G4 (g));

"D524-59" to read "D524-62";
(Make a similar revision in Clause G4 (c)).

2. The deletion of clause 1.3 and the substitution of the following therefor:

1.3 Central Distribution Systems. Plans for central oil distribution systems shall be submitted for approval to the authority having jurisdiction prior to installation.

3. The deletion of clause 3.18.4.1 and the substitution of the following therefor:

3.18.4.1 The total quantity of smoke present in the flue gases shall not exceed a number two (2) rating, as determined by the "Shell-Bacharach" smoke spot method for Grade 1 and Grade No. 2 fuel oil; except that for fuel oil burning equipment using a vapourizing-type burner, a number seven (7) rating may be accepted. For fuel oil burning equipment using other than Grade No. 1 or Grade No. 2 fuel oil a number four (4) rating may be accepted.

4. The deletion of clause 3.19.3 and the substitution of the following therefor:

3.19.3 Except when a heat reclaiming appliance is approved with and as part of an approved oil-fired packaged unit, approved heat reclaiming appliances shall be suitably marked to indicate that they are not to be used with approved oil-fired packaged units.

5. The deletion of clause 4.4.7 and the substitution of the following therefor:

4.4.7 Sizes of Flue Pipes

4.4.7.1 The flue pipe shall be not smaller (in cross-sectional area) than the flue collar of the appliance.

4.4.7.2 Flue pipes shall be constructed entirely of non-combustible material equivalent in structural strength and durability to No. 24 MSG galvanized steel, these pipes to be not more than 10 inches in diameter. For flue pipes larger than this size the following table shall be used:

6 to 10 inches diameter	—	No. 24 MSG
11 to 12 inches diameter	—	No. 22 MSG
13 to 16 inches diameter	—	No. 20 MSG
over 16 inches diameter	—	Not less than No. 16 MSG.

NOTE: *The flue pipe of a self-contained, self-supporting oil burning range or room heater may be of No. 28 MSG galvanized or blued steel.*

6. The deletion of clause 6.6 and the substitution of the following therefor:

6.6 Pressure Tank Feed. A pressurized storage or supply tank shall not be used to supply fuel to the burner.

7. The deletion of clause 7.1.1.3 and the substitution of the following therefor:

7.1.1.3 Vent pipes shall terminate outside of buildings at a point close to the building wall not less than 2 feet from any window or other building opening, and at a height of at least seven feet above ground-level at the location of a vent pipe termination. Outer ends of vent pipes shall terminate in a weather-proof vent cap or fitting, or be provided with a weather-proof hood. All vent caps shall have a minimum free opening area equal to the cross-sectional area of the vent pipe. The static head, with the vent pipe filled with oil, shall not exceed the tested pressure of the tank.

8. The deletion of clause 8.2.1 and the substitution of the following therefor:

8.2.1 All piping shall be standard full weight wrought iron, steel or brass pipe with standard fittings or welds, or brass or copper tubing with brass or copper fittings, except that approved flexible metal hose may be used for reducing the effects of jarring and vibration, or where rigid connections are impracticable. Cast iron pipe or fittings shall not be used.

9. The deletion of clause 8.2.7 and the substitution of the following therefor:

8.2.7 Pipe Joints and Connections

8.2.7.1 Pipe joints and connections shall be made tight with suitable fittings or welds. Unions requiring gaskets or packing, right and left couplings or sweat fittings, shall not be used in fuel oil lines.

8.2.7.2 Welded connections shall be made by a welder acceptable to the authority administering this Standard.

10. The deletion of clause 8.2.8 and the substitution of the following therefor:

8.2.8 Proper allowance shall be made for expansion, contraction, jarring, and vibration. Pipe lines other than tubing, connected to underground tanks, except straight fill lines and test valves, shall be arranged to permit the tank to settle, without impairing the efficiency of the pipe connection. Such pipe lines shall be provided with double swing joints or shall be provided with a welded loop comprising three or more 90 degree elbows, all in the same horizontal plane, and spaced at least 2 feet apart.

11. The deletion of clause 9.1.4 and the substitution of the following therefor:

9.1.4 Where conversion oil burners are installed in heating equipment designed for solid fuel, a door or other means shall be arranged to permit the relief of excessive combustion-zone pressure.

NOTE: *The firing door may be arranged to provide the required relief by removing part of the catch so that the door will open before excessive combustion-zone pressure develops, and should be provided with a self-closing feature.*

Renumber existing clauses 9.1.4 and 9.1.5 to 9.1.5 and 9.1.6 respectively.

12. The deletion of clause 9.4.1.1 and the substitution of the following therefor:

9.4.1.1 Each oil burner installation shall be equipped with a primary safety control of a type approved for the burner with which it is used.

NOTE: *The proper control to be furnished with each burner assembly is indicated in the approval by the testing laboratory.*

13. The deletion of Table 9 and the substitution of the following therefor:

TABLE 9
Combustion-Safety Control Timing

Fuel Oil, Grade No.	Maximum Firing Rate of Main Burner (b) Gallons per Hour (U.S.)	Type of Ignition (c)	Maximum Timing, Seconds (a)	
			Ignition Failure Shut-off (d)	Flame Failure Shut-off
1-6	3 and less	(1)	120	120
1-6	Over 3 and up to 7	(1)	60	60
1-6	Over 7 and up to 33	(1)	20	20
1-2 (e)	Over 33	(2)	60	4
4-6	Over 33	(2)	60	4
		(3)	20	4

NOTES: (a) *The above time periods are based on the line voltage being the same as the rated operating voltage for the control. The time periods specified are not applicable for subnormal voltages;*

(b) *The maximum firing rate means the maximum firing rate of the burner with which the control is to be installed and operated;*

(c) *The types of ignition specified by the numbers in parentheses are:
(1) Unproved ignitor or pilot; (2) Proved Pilot; (3) Unproved Pilot;*

(d) *Also known as the "trial for ignition period";*

(e) *These timings are also applicable to the so-called "Grade No. 3 'Light Industrial' fuel oils";*

(f) *Where a burner is designed or equipped for starting at a firing rate less than the maximum operating firing rate of the burner, the ignition failure shut-off timing for the lesser firing rate may be used, provided that the firing rate cannot be increased until ignition is established.*

14. The deletion of clause 9.4.1.4.

Renumber Clauses 9.4.1.5, 9.4.1.6 and 9.4.1.7 to read 9.4.1.4, 9.4.1.5 and 9.4.1.6 respectively.

15. The deletion of clause 9.4.1.6 and the substitution of the following therefor:

9.4.1.6 Primary safety controls, when installed in the flue pipe, shall be supported independently of the flue pipe.

NOTE: *A No. 6 jack chain or other material having the same strength should be used.*

16. The deletion of clause 9.4.2.2 and the substitution of the following therefor:

9.4.2.2 The safety limit control used with a warm air furnace shall be mounted directly on the furnace or the furnace bonnet, and shall function to shut-off the burner at an outlet air temperature of 250F or less, when installed according to the instructions.

17. The deletion of clause 9.4.2.3 and the substitution of the following therefor:

9.4.2.3 The safety limit control used with a hot-water heating boiler or hot-water heater, shall be mounted directly on the boiler or at the outlet in accordance with the manufacturer's instructions; and shall function to prevent the temperature of the water in an open system from exceeding 220F at or near the outlet; or shall function to prevent the temperature of the water in a closed system from exceeding 250F at or near the outlet, when installed according to the instructions, unless on factory assembled equipment.

NOTE: Additional protection is recommended for use with hot water heating boilers. Either a suitable pressure-relief valve or pressure-actuated limit control should be used with each hot water heating boiler. Refer also to the Note under Clause 9.4.2.7.

18. The deletion of clause 9.5.6 and the substitution of the following therefor:

9.5.6 In no case shall a steam coil be connected directly to a boiler operating at a pressure greater than 15 pounds per square inch gauge.

19. The addition of the following clause:

9.5.7 In no case shall a water coil be connected directly to a boiler operating at a temperature greater than 250F.

Re-number Clauses 9.5.7, 9.5.8, 9.5.9 and 9.5.10 as 9.5.8, 9.5.9, 9.5.10 and 9.5.11 respectively.

20. The deletion of items 1, 2 and 5 in column 1 of Table F1 (captioned Table F1 "Equipment") and the substitution of the following therefor:

Item 1:

Forced-Air Furnaces and Gravity Furnaces

—equipped with safety limit controls to shut off the burner at an outlet air temperature of 250F or less.

Item 2:

Storage Hot-Water Heaters, Hot-Water Boilers and Steam Boilers (of the water-wall type or having a jacket or lining of suitable insulating material), and

—equipped with safety limit controls to shut off the burner at an outlet temperature of the water of 250F or less, or at a steam pressure of 15 pounds per square inch gauge or less.

Item 5:

Unit Heaters and Suspended Furnaces

—equipped with safety limit controls to shut off the burner at an outlet air temperature of 250F or less and where the firing rate does not exceed 3 gallons (U.S.) per hour.

21. The deletion of clause G4 (e) and the substitution of the following therefor:

G4 (e) Distillation. For Grades 1 and 2; ASTM Standard D86-62, Method of Test for Distillation of Petroleum Products.

22. Table G1—Change column heading under sub-heading "Viscosity" from "Kinematic Centigrade" to "Kinematic Centistokes".

2. The installation, repair, service or removal of fuel oil appliances shall comply with the code of standards as adopted and changed by section 1.

THE ENERGY ACT, 1964

O. Reg. 336/64.

Liquefied Petroleum Gas Code.

Made—December 10th, 1964.

Filed—December 11th, 1964.

NOTE: *This Regulation does not come into operation until The Energy Act, 1964 is proclaimed in force.*
See R.S.O. 1960, c. 191, s. 5.

REGULATION MADE UNDER
THE ENERGY ACT, 1964

LIQUEFIED PETROLEUM GAS CODE

1. Section 3 of the code of standards made by the Canadian Standards Association contained in the publication entitled Installation Code for Gas Burning Appliances and Equipment and numbered C.S.A. B-149-1962 is adopted with the following changes:

1. The deletion of clause 3.1.1 and the substitution of the following therefor:

3.1.1 These regulations cover the storing, handling, transportation and use of liquefied petroleum gases, in either liquid or vapour phase, and to the location and installation of liquefied petroleum gas storage containers, appliances, piping and equipment.

These regulations do not apply to marine or pipe line terminals, natural gasoline plants, refineries, chemical plants or underground refrigerated liquefied petroleum gas storage systems or to installations on boats, utility plants or to liquefied petroleum gas used with oxygen for welding and cutting.

2. The deletion of clause 3.2.1 and the substitution of the following therefor:

3.2.1 The composition of liquefied petroleum gas as manufactured, distributed or used as a commercial fuel shall comply with the test requirements for commercial propane, commercial butane, and propane-butane mixtures specified in N.G.A.A. (Natural Gasoline Association of America) Publication 2140-57. For motor fuel and other uses requiring more restrictive specifications than commercial propane, the propane shall comply with the specification HD5 of N.G.P.A. (Natural Gasoline Processors Association) Publication 2140-62.

3. The addition of the following clauses:

3.3.2.1.3 To determine the size of rigid pipe to conduct liquid propane, refer to Appendix 1.

3.3.2.4.3 Lubricants used in valves and controls shall be of a type resistant to the action of liquefied petroleum gas and capable of withstanding the temperatures to which such valves and controls may be subjected.

4. The deletion of Table 3.2 and the substitution of the following tables therefor:

TABLE 3.2

For Type "G.P." Tubing only

Maximum capacity of semi-rigid copper tubing for undiluted propane gas, based on a pressure drop of 0.5 inch water column with low pressure regulator set at 11" WC.

Maximum load in thousands	cu/ft/hr.	Distance from last stage regulator in feet								
		10	15	20	25	30	40	50	60	80
Btu/hr.	Propane									
13	5	$\frac{3}{8}$	$\frac{3}{8}$	$\frac{3}{8}$	$\frac{3}{8}$	$\frac{3}{8}$	$\frac{3}{8}$	$\frac{3}{8}$	$\frac{3}{8}$	$\frac{3}{8}$
25	10	$\frac{3}{8}$	$\frac{3}{8}$	$\frac{3}{8}$	$\frac{3}{8}$	$\frac{3}{8}$	$\frac{3}{8}$	$\frac{3}{8}$	$\frac{1}{2}$	$\frac{3}{8}$
38	15	$\frac{3}{8}$	$\frac{3}{8}$	$\frac{3}{8}$	$\frac{1}{2}$	$\frac{1}{2}$	$\frac{1}{2}$	$\frac{1}{2}$	$\frac{1}{2}$	$\frac{1}{2}$
50	20	$\frac{3}{8}$	$\frac{1}{2}$	$\frac{1}{2}$	$\frac{1}{2}$	$\frac{1}{2}$	$\frac{1}{2}$	$\frac{1}{2}$	$\frac{1}{2}$..
62	25	$\frac{1}{2}$	$\frac{1}{2}$	$\frac{1}{2}$	$\frac{1}{2}$	$\frac{1}{2}$	$\frac{1}{2}$
75	30	$\frac{1}{2}$	$\frac{1}{2}$	$\frac{1}{2}$	$\frac{1}{2}$	$\frac{1}{2}$
100	40	$\frac{1}{2}$	$\frac{1}{2}$
125	50	$\frac{1}{2}$

"G.P." means: General purpose copper tubing having a minimum wall thickness of 0.032".

Sizes of "G.P." tubing are given in "OD" (outside diameter).

"G.P." tubing $\frac{3}{8}$ and $\frac{1}{2}$ inches only shall be used.

TABLE 3.2a

For Type "K" Tubing only

Maximum capacity of semi-rigid copper tubing for undiluted propane gas, based on a pressure drop of 0.5" water column, with low pressure regulator set at 11" WC.

Maximum load in thousands	cu/ft/hr.	Distance from last stage regulator in feet										
		Btu/hr.	Propane	10	15	20	25	30	40	50	60	80
13	5		1/4	1/4	1/4	1/4	1/4	1/4	1/4	1/4	1/4	1/4
25	10		1/4	1/4	1/4	1/4	1/4	1/4	1/4	3/8	3/8	3/8
38	15		1/4	1/4	1/4	1/4	3/8	3/8	3/8	3/8	3/8	3/8
50	20		3/8	3/8	3/8	3/8	3/8	3/8	3/8	1/2	1/2	1/2
62	25		3/8	3/8	3/8	3/8	3/8	3/8	1/2	1/2	1/2	1/2
75	30		3/8	3/8	3/8	1/2	1/2	1/2	1/2	1/2	1/2	1/2
100	40		3/8	1/2	1/2	1/2	1/2	5/8	5/8	5/8	5/8	5/8
125	50		1/2	1/2	1/2	1/2	1/2	5/8	5/8	5/8	5/8	5/8
150	60		1/2	1/2	1/2	5/8	5/8	5/8	5/8	5/8	5/8	3/4
175	70		1/2	1/2	5/8	5/8	5/8	3/4	3/4	3/4	3/4	3/4
200	80		1/2	5/8	5/8	5/8	5/8	3/4	3/4	3/4	3/4	..
250	100		5/8	5/8	5/8	3/4	3/4	3/4	3/4	3/4	3/4	..
300	120		5/8	3/4	3/4	3/4	3/4	3/4	3/4
350	140		5/8	3/4	3/4	3/4	3/4
400	160		3/4	3/4	3/4	3/4
450	180		3/4	3/4	3/4
500	200		3/4	3/4
625	250		3/4

NOTE: The sizes shown are nominal standard copper water tube sizes as included in CSA standard HC-66.

NOTE: Type "K" tubing may be used for above ground services, for underground services, only the type "K" shall be employed.

TABLE 3.2b

For Type "L" Tubing only

Maximum capacity of semi-rigid copper tubing for undiluted propane gas based on a pressure drop of 0.5" water column, with low pressure regulator set for 11" WC.

Maximum load in thousands	cu/ft/hr.	Distance from last stage regulator in feet										
		Btu/hr.	Propane	10	15	20	25	30	40	50	60	80
13	5		3/8	3/8	3/8	3/8	3/8	3/8	3/8	3/8	3/8	3/8
25	10		3/8	3/8	3/8	3/8	3/8	3/8	3/8	3/8	3/8	3/8
38	15		3/8	3/8	3/8	3/8	3/8	3/8	3/8	3/8	3/8	3/8
50	20		3/8	3/8	3/8	3/8	3/8	3/8	3/8	3/8	3/8	3/8
62	25		3/8	3/8	3/8	3/8	3/8	3/8	3/8	1/2	1/2	1/2
75	30		3/8	3/8	3/8	3/8	3/8	1/2	1/2	1/2	1/2	1/2
100	40		3/8	3/8	1/2	1/2	1/2	1/2	1/2	1/2	1/2	5/8
125	50		3/8	1/2	1/2	1/2	1/2	5/8	5/8	5/8	5/8	5/8
150	60		1/2	1/2	1/2	1/2	5/8	5/8	5/8	5/8	5/8	3/4
175	70		1/2	1/2	1/2	5/8	5/8	5/8	5/8	3/4	3/4	3/4
200	80		1/2	5/8	5/8	5/8	5/8	3/4	3/4	3/4	3/4	3/4
250	100		1/2	5/8	5/8	5/8	3/4	3/4	3/4	3/4	3/4	..
300	120		5/8	3/4	3/4	3/4	3/4	3/4	3/4
350	140		5/8	3/4	3/4	3/4	3/4
400	160		5/8	3/4	3/4	3/4
450	180		3/4	3/4	3/4
500	200		3/4	3/4
625	250		3/4

NOTE: The sizes shown are Nominal Standard Copper Water Tube sizes as included in CSA standard HC-66.

TABLE 3.3
MINIMUM NOMINAL SIZES OF COPPER TUBE TO BE USED BETWEEN
HIGH PRESSURE AND LOW PRESSURE REGULATORS

Predicated on using Propane with high pressure regulator set at 5 psi and with a maximum pressure drop of 1 psi

Maximum load in thousands	Btu/hr.	Distance from High Pressure Regulator to Low Pressure Regulator in Feet																							
		30		40		50		60		70		80		90		100		150		200		250		300	
		Tube Type		Tube Type		Tube Type		Tube Type		Tube Type		Tube Type		Tube Type		Tube Type		Tube Type		Tube Type		Tube Type		Tube Type	
	Propane	K	L	K	L	K	L	K	L	K	L	K	L	K	L	K	L	K	L	K	L	K	L	K	L
75	30	1/4	3/8	1/4	3/8	1/4	3/8	1/4	3/8	1/4	3/8	1/4	3/8	1/4	3/8	1/4	3/8	1/4	3/8	1/4	3/8	1/4	3/8	1/4	3/8
87	34	3/8	3/8	3/8	3/8	3/8	3/8	3/8	3/8	3/8	3/8	3/8	3/8	3/8	3/8	3/8	3/8	3/8	3/8	3/8	3/8	3/8	3/8	3/8	3/8
108	43	3/8	3/8	3/8	3/8	3/8	3/8	3/8	3/8	3/8	3/8	3/8	3/8	3/8	3/8	3/8	3/8	3/8	3/8	3/8	3/8	3/8	3/8	3/8	3/8
130	52	3/8	3/8	3/8	3/8	3/8	3/8	3/8	3/8	3/8	3/8	3/8	3/8	3/8	3/8	3/8	3/8	3/8	3/8	3/8	3/8	3/8	3/8	3/8	3/8
152	60	3/8	3/8	3/8	3/8	3/8	3/8	3/8	3/8	3/8	3/8	3/8	3/8	3/8	3/8	3/8	3/8	3/8	3/8	3/8	3/8	3/8	3/8	3/8	3/8
174	69	3/8	3/8	3/8	3/8	3/8	3/8	3/8	3/8	3/8	3/8	3/8	3/8	3/8	3/8	3/8	3/8	3/8	3/8	3/8	3/8	3/8	3/8	3/8	3/8
217	87	3/8	3/8	3/8	3/8	3/8	3/8	3/8	3/8	3/8	3/8	3/8	3/8	3/8	3/8	3/8	3/8	3/8	3/8	3/8	3/8	3/8	3/8	3/8	3/8
261	104	3/8	3/8	3/8	3/8	3/8	3/8	3/8	3/8	3/8	3/8	3/8	3/8	3/8	3/8	3/8	3/8	3/8	3/8	3/8	3/8	3/8	3/8	3/8	3/8
304	121	3/8	3/8	3/8	3/8	3/8	3/8	3/8	3/8	3/8	3/8	3/8	3/8	3/8	3/8	3/8	3/8	3/8	3/8	3/8	3/8	3/8	3/8	3/8	3/8
348	139	3/8	3/8	3/8	3/8	3/8	3/8	3/8	3/8	3/8	3/8	3/8	3/8	3/8	3/8	3/8	3/8	3/8	3/8	3/8	3/8	3/8	3/8	3/8	3/8
391	156	1/2	3/8	1/2	3/8	1/2	3/8	1/2	3/8	1/2	3/8	1/2	3/8	1/2	3/8	1/2	3/8	1/2	3/8	1/2	3/8	1/2	3/8	1/2	3/8
435	174	1/2	3/8	1/2	3/8	1/2	3/8	1/2	3/8	1/2	3/8	1/2	3/8	1/2	3/8	1/2	3/8	1/2	3/8	1/2	3/8	1/2	3/8	1/2	3/8
543	217	1/2	3/8	1/2	3/8	1/2	3/8	1/2	3/8	1/2	3/8	1/2	3/8	1/2	3/8	1/2	3/8	1/2	3/8	1/2	3/8	1/2	3/8	1/2	3/8
652	261	1/2	3/8	1/2	3/8	1/2	3/8	1/2	3/8	1/2	3/8	1/2	3/8	1/2	3/8	1/2	3/8	1/2	3/8	1/2	3/8	1/2	3/8	1/2	3/8
696	278	1/2	3/8	1/2	3/8	1/2	3/8	1/2	3/8	1/2	3/8	1/2	3/8	1/2	3/8	1/2	3/8	1/2	3/8	1/2	3/8	1/2	3/8	1/2	3/8
783	313	1/2	3/8	1/2	3/8	1/2	3/8	1/2	3/8	1/2	3/8	1/2	3/8	1/2	3/8	1/2	3/8	1/2	3/8	1/2	3/8	1/2	3/8	1/2	3/8
870	348	5/8	3/8	5/8	3/8	5/8	3/8	5/8	3/8	5/8	3/8	5/8	3/8	5/8	3/8	5/8	3/8	5/8	3/8	5/8	3/8	5/8	3/8	5/8	3/8

NOTE: The sizes shown are Nominal Standard Copper Water Tube Sizes as included in CSA Standard HC-66. In no instance are the figures shown actual outside or inside diameters.

6. The addition of the following clause:
 - 3.3.3.1.3 To determine the size of tubing to conduct liquid propane, refer to Appendix 1.
7. The deletion of clause 3.3.3.3.1 and the substitution of the following therefor:
 - 3.3.3.3.1 Tubing means piping that is made of seamless copper, brass or steel.
8. The deletion of clause 3.3.3.3.3 and the substitution of the following therefor:
 - 3.3.3.3.3 For services above ground, copper tube in standard Type K and Type L, sizes up to and including $\frac{3}{4}$ inch nominal sizes may be used or tube of $\frac{3}{8}$ inch or $\frac{1}{2}$ inch OD with a wall thickness not less than .032 inch called open and general purpose OD tubing. For services underground, copper tube shall be Type K only.
9. The deletion of clause 3.3.3.3.4.
10. The deletion of clause 3.3.3.3.6 and the substitution of the following therefor:
 - 3.3.3.3.6 End fittings shall be of the flared type, or other approved fittings.
11. The deletion of clause 3.3.4.1.2 and the substitution of the following therefor:
 - 3.3.4.1.2 After installation all tubing shall be tested in accordance with clause 3.3.4.1.1 or, when appliances are connected, the systems for undiluted liquefied petroleum gases shall retain a test pressure of not less than 10 inches water column for a period of not less than 10 minutes. Pressure shall be measured with a water manometer, or an equivalent device, so calibrated as to be read in increments not greater than 0.1 inch water column. The source of pressure shall be isolated before the pressure tests are made.
12. The deletion of clause 3.3.4.2 and the substitution of the following therefor:
 - 3.3.4.2 All connections shall be tested with a liquid soap solution or other approved equivalent solution when the appliance is connected.
13. The deletion of clause 3.3.6.1.
14. The deletion of "to" in the second line of clause 3.3.7.1 and the substitution of "at" therefor.
15. The deletion of clause 3.3.7.2 and the substitution of the following therefor:
 - 3.3.7.2 An automatic pilot of the complete shut-off type shall be required on the following appliances:
 - (a) all types of appliances used for space heating;
 - (b) all other appliances where the burner flames are not readily visible when the appliance is in operation, except domestic and commercial cooking equipment having a pilot input rating of 500 Btu or less and such pilot controls the flow of gas to the main burner.
16. The deletion of subclauses *b* and *d* of clause 3.4.6.2.
17. The deletion of subclauses *a*, *b* and *c* of clause 3.4.7.1 and the substitution of the following therefor:
 - 3.4.7.1 (a) temporarily used for demonstration purposes and the container contains a maximum of 5 pounds by weight of LP-Gas;
 - (b) used with a completely self-contained gas hand torch or similar equipment, and the container has a maximum capacity of 1 pound, by weight of LP-Gas;
 - (c) as provided in clauses 3.5.9 and 3.8.
18. The addition of the following subclause to clause 3.4.7.1:
 - 3.4.7.1 (d) Containers, containing over 1 pound by weight of LP-Gas, shall not be left unattended when used inside buildings.
19. The deletion of "important" from the second line of clause 3.4.7.2.
20. The deletion of "Tank" in the third line of clause 3.4.7.4 and the substitution of "container" therefor.
21. The deletion of clause 3.4.7.6.
22. The deletion of clause 3.4.7.8 and the substitution of the following therefor:
 - 3.4.7.8 The minimum separation between liquefied petroleum gas containers and flammable liquid tanks or containers shall be 20 feet and the minimum separation between a container and the centre line of the dike shall be 10 feet. The foregoing provision shall not apply when liquefied petroleum gas containers of 125 gallons or less capacity are installed adjacent to a tank of 250 gallons or less individual capacity containing flammable liquids having a flash point above 100°F. (Closed cup test according to ASTM Standard D56-61).

- 23. The deletion of the first sentence of clause 3.4.8.3 and the substitution of the following therefor:
 3.4.8.3 Excess flow valves shall close automatically at the manufacturers' rated flows of vapour or liquid.
- 24. The deletion of "where required by this Code" in the first and second lines of clause 3.4.8.6.
- 25. The deletion of Table 3.4 and the substitution of the following therefor:

TABLE 3.4
(refer to clause 3.4.7.2)

Water Capacity per Container in Gallons	MINIMUM DISTANCES IN FEET	
	Column I	Column II
	Between Buildings, Property Lines and Containers	Between Containers Located as Required by Column I
up to and including 125.....	None	None
over 125 to and including 500.....	10	3
over 500 to and including 2,000.....	25	3
over 2,000 to and including 30,000.....	50	5
over 30,000 to and including 70,000.....	75	} $\frac{1}{4}$ sum of diameters of adjacent containers
over 70,000 to and including 90,000.....	100	

NOTE: No container, regardless of size, installed to provide the supply of LP-Gas for a transfer operation at a filling plant shall be located less than 25 feet from buildings or property lines. Refer to clause 3.6.11.5.

- 26. The deletion of clause 3.4.9.6 and the substitution of the following therefor:
 3.4.9.6 Strainers, regulators, meters, compressors, pumps, site-flow indicators, or any such accessory items are not to be considered as pipe fittings. Accessories, as above, are not prohibited if made of malleable iron to ASTM Standard A-47-57, nodular iron to ASTM Standard A395-61, or higher gray iron according to ASTM Standard A-126-61T, Class B or C.
- 27. The deletion of clause 3.4.11.1 and the substitution of the following therefor:
 3.4.11.1 Hose shall be fabricated of materials that are resistant to the action of liquefied petroleum gases in the liquid and vapour phases.
- 28. The deletion of clause 3.4.12 and the substitution of the following therefor:
 3.4.12 Safety Relief Valves.
- 29. The addition of the following clause:
 3.4.17.5 Any container regardless of size, constructed in accordance with BTC or ICC specifications, shall be filled according to BTC (Board of Transport Commissioners) or ICC requirements. Each container, except those equipped with a fixed liquid level gauging device of approved design, shall be filled by weight.
- 30. The deletion of clause 3.4.18 and the substitution of the following therefor:
 3.4.18 Pressures Inside Buildings.
- 31. The deletion of clause 3.4.18.1 and the substitution of the following therefor:
 3.4.18.1 LP-Gas for fuel purposes in either liquid or vapour phase shall not be piped into any building at pressures in excess of 20 psig except as follows:
 - (a) buildings, devoted exclusively to housing equipment for vapourization, pressure reduction, gas mixing, gas manufacturing or distribution;
 - (b) buildings or separate fire divisions of buildings, used exclusively for housing internal combustion engines or industrial processes;
 - (c) buildings, or separate fire divisions of buildings, used exclusively for research and experimental laboratories.

32. The deletion of clause 3.4.18.2 and the substitution of the following therefor:
 - 3.4.18.2 Portable containers shall not be taken into buildings, except as provided in clauses 3.4.7.1 (a), 3.4.7.1 (b), 3.5.9 and 3.8.2.2.
33. The deletion of clause 3.4.19.8 and the substitution of the following therefor:
 - 3.4.19.8 Pumps or compressors shall be designed for use with LP-Gas. When compressors are used, they shall normally take suction from the vapour space of the container being filled and discharge to the vapour space of the container being emptied.
34. The deletion of clause 3.4.20.8 and the substitution of the following therefor:
 - 3.4.20.8 Where a distributing or container charging plant is located upon railroad property the requirements of the Board of Transport Commissioners shall be used.
35. The deletion of clauses 3.4.23.1, 3.4.23.2 and 3.4.23.3.
36. The deletion of clause 3.4.23.6 and the substitution of the following therefor:
 - 3.4.23.6 The length of a fixed liquid level tube device shall be designed to indicate the maximum level to which the container may be filled for the product contained. This level shall be based on the volume of the product at 40°F at its maximum permitted filling density. Refer to Appendix F for calculating filling point for which tube shall be designed.
37. The deletion of clause 3.4.24.
38. The deletion of the word "portable" where it appears in the subclauses of clause 3.5.5.
39. The deletion of clause 3.5.5.6 and the substitution of the following therefor:
 - 3.5.5.6 All cylinders whilst in transit by any carrier (car, truck or rail) shall be secured to prevent physical damage and shall be transported with the relief valve in direct communication with the vapour space of the cylinder at all times.
40. The deletion of clause 3.5.6 and the substitution of the following therefor:
 - 3.5.6 Cylinder Valves and Accessories.
41. The addition of the words "except as provided for in clause 3.5.9" at the end of clause 3.5.7.2.
42. The addition of the following clause:
 - 3.5.7.3 Cylinders used for liquid withdrawal shall have an excess flow valve provided in the liquid withdrawal tube.
43. The deletion of clause 3.5.9 and the substitution of the following therefor:
 - 3.5.9 Use of Gas for Industrial Applications.
44. The addition of the following subclause to clause 3.5.9.1:
 - 3.5.9.1 (e) When repair work is being carried out in a building occupied by people (public), equipment shall be under surveillance by a qualified operator at all times.
45. The deletion of clause 3.6.1 and the substitution of the following therefor:
 - 3.6.1 GENERAL. This clause 3.6, applies specifically to systems utilizing tanks. The provisions of clause 3.4 apply to this clause unless otherwise noted.
46. The deletion of clause 3.6.3.2 and the substitution of the following therefor:
 - 3.6.3.2 All tank openings, except safety relief, gauging device and plugged openings, shall be equipped with approved automatic excess flow valves, or as provided for in clause 3.4 and in clause 3.6.
47. The addition to clause 3.6.3.3 of the following subclause:
 - 3.6.3.3 (d) On containers of 200 pounds water capacity or less installed outside of buildings and not on mobile equipment, the filling connection may be fitted with a single back-pressure check valve.
48. The addition of the following clause:
 - 3.6.3.8 All tanks of 125 gallons water capacity or more, manufactured after December 31st, 1963, shall be provided with an approved device for liquid evacuation the size of which shall not be less than $\frac{3}{4}$ " Standard Pipe Thread. A plugged opening will not satisfy this requirement.
49. The deletion of clause 3.6.4.1.5 and the substitution of the following therefor:
 - 3.6.4.1.5 Each storage container of 2000 gallons water capacity or over shall be provided with a suitable pressure gauge.

50. The deletion of subclause *c* of clause 3.6.4.2 and the substitution of the following therefor:
- 3.6.4.2 (c) On a container having a water capacity greater than 2000 gallons, the discharge from the safety relief valves shall be vented away from the container, vertically upwards, to a point seven feet above the container, and unobstructed to the open air in such a manner as to prevent any impingement of escaping gas upon the container; loose fitting rain caps shall be used. Suitable provision shall be made so that any liquid or condensate that may accumulate inside of the safety relief valve or its discharge pipe will not render the valve inoperative. If a drain is used, a means shall be provided to protect the container, adjacent containers, piping or equipment against impingement of flame resulting from ignition of product, escaping from the drain.
51. The deletion of clause 3.6.5.1.2 and the substitution of the following therefor:
- 3.6.5.1.2 Containers above ground shall be provided with masonry or non-cumbustible structural supports on firm masonry foundations; individual blocks at each corner of the tank shall not be used.
52. The revision of the preamble to clause 3.6.5.2 to read:
- 3.6.5.2 Containers installed above ground shall be supported as follows:
53. The deletion of clauses 3.6.6.2 and 3.6.8.
54. The deletion of clause 3.6.11 and the substitution of the following therefor:
- 3.6.11 General Provisions Applicable to All Filling Plants.
55. The deletion of clause 3.6.11.1.
56. The deletion of clause 3.6.11.2 and the substitution of the following therefor:
- 3.6.11.2 Adequate light shall be provided to illuminate storage containers, control valves, and other equipment when loading or unloading is done during other than daylight hours.
57. The deletion of clause 3.6.11.4 and the substitution of the following therefor:
- 3.6.11.4 To minimize trespassing or tampering, a fence, at least 6 feet in height, and constructed of materials equivalent to steel wire mesh of not less than .10 inch diameter, having openings not greater than 6 inches, and having at least 2 means of access shall enclose and be located, at least, 10 feet from any of the following:
- Container filling room or building, container warehouse, container storage area, tank truck loading and unloading outlets, pumps, compressors and bulk LP-Gas storage tanks.
58. The addition of the following clause:
- 3.6.11.5 The location of containers shall be in accordance with Table 3.4, except that the minimum allowable distance shall not be less than 25 feet regardless of the size of containers in use, at filling plants.
59. The deletion of clauses 3.6.12.1, 3.6.12.2 and 3.6.12.3 and the substitution of the following therefor:
- 3.6.12.1 The container filling room, point of transfer, location of filling scale, pumps and compressors if housed in separate buildings, and tank truck filling station outlets, shall be located not less than:
- (a) 10 feet from bulk storage containers;
 - (b) 25 feet from lot line or line of adjoining property line;
 - (c) 10 feet from pump and compressors;
 - (d) 25 feet from sources of ignition;
 - (e) 10 feet from fenced enclosure; except in the case where such container filling plant is located suitably within the fenced property of an industrial plant.
60. The deletion of clause 3.7 and the substitution of the following therefor:
- 3.7 Truck Transportation of LP-Gas.
61. The deletion of "should" in the second line of clause 3.7.5.2 and the substitution of "shall" therefor.
62. The deletion of clause 3.7.7.1 and the substitution of the following therefor:
- 3.7.7.1 All truck, trailer, and semi-trailer container loads, shall be gauged by weight or by suitable fixed liquid level gauging device, whether or not a meter is used.
63. The deletion of clause 3.7.19 and the substitution of the following therefor:
- 3.7.19 The parking of vehicles transporting propane gas, in cylinders or by tank truck, shall not, except in an emergency, be left unattended, on any street, highway, avenue, alley, driveway, or other unprotected area, provided that this shall not prevent a driver from the necessary absence from the vehicle in connection with a delivery, nor shall it prevent stops for meals or rest stops during the day or night. During night delivery the vehicle shall be well lighted.

64. The addition of the following clauses:

- 3.7.19.1 When it is necessary to service or repair the cargo container, primary valves, relief valves or gauging devices of a liquefied petroleum gas bulk tank vehicle, either outdoors or within a building, the cargo container shall be completely purged, outdoors, of all liquefied petroleum gas in either liquid or vapour phase, with water or an inert gas, in a safe manner, prior to commencing work.
- 3.7.19.2 When it is necessary to service or repair other than the cargo container, primary valves, relief valves or gauging devices of a liquefied petroleum gas bulk tank vehicle, either outdoors or within a building, the following procedures shall be carried out:
- (a) all primary shut-off valves shall be closed and all liquid and vapour liquefied petroleum gas in the hose and piping system shall be vented in a safe manner outdoors by the driver;
 - (b) the system shall be checked for any leaks and all leaks found shall be repaired before the vehicle is moved inside the building;
 - (c) the cargo container shall be gauged outdoors by the driver to determine that it is not filled beyond the permissible filling capacity;
 - (d) vehicle shall not be parked near a source of heat, open flame, or any source of ignition, or within the path of hot air being blown from a blower type heater;
 - (e) the driver shall instruct the persons responsible for the service or repair of the nature of the cargo contents and instruct them not to tamper with the tank valves or fittings;
 - (f) repair work shall not be done on the tank, tank valves or tank fittings whilst the vehicle is in the garage, if the cargo container contains product.

65. The addition of the following clauses:

3.7.21 Movement of tanks not designed for transportation.

- 3.7.21.1 Containers not designed for transportation and not permanently attached to vehicle, shall be properly secured against movement during transportation. Such container may contain product not in excess of 5 per cent of its water capacity.
- 3.7.21.2 Valves, regulating equipment, and other tank accessories shall be protected against physical damage whilst in transportation.
- 3.7.21.3 Lifting lugs on tanks described in this clause shall not be used as the exclusive means of lifting such tanks, where such tanks contain product in excess of the quantity specified in 3.7.21.1.

66. The deletion of clause 3.8.2.2 and the substitution of the following therefor:

- 3.8.2.2 Fuel containers for use on industrial tractors and lift trucks for indoor or outdoor application shall be either BTC-ICC cylinders, authorized for Propane Service, or an ASME tank type 250. Under 1950 and later ASME Codes this means a 312.5 psig design pressure container.

67. The addition to clause 3.8.6.3 of the following:

"This line shall be metallic, other than aluminum. If flexibility is required, flexible metal hose or tubing shall be used."

68. The addition of the following clause:

- 3.8.6.4 (a) The liquid fuel line between containers and first stage regulating equipment shall be protected by a hydrostatic relief valve.
- (b) The liquid fuel line, hydrostatic relief valve and fittings, shall have a greater capacity than the rated flow of the container excess flow valve.
- (c) The discharge setting of the hydrostatic relief valve shall not be in excess of 500 psig. On hydrostatic relief valves installed in liquid fuel lines connected to tanks, the minimum setting shall not be lower than 140 per cent of the setting of the tank relief valve. On hydrostatic relief valves installed in liquid fuel lines connected to BTC-ICC cylinders, the minimum setting shall not be less than 400 psig.
- (d) The discharge outlet of the hydrostatic relief valve shall be located on the outside of enclosed spaces and as far as practicable from possible sources of ignition, and vented upward in such a manner as to prevent impingement of escaping gas upon containers or parts of vehicle. A rain cap or other protector shall be used to keep water and dirt from collecting in the hydrostatic relief valve.

69. The deletion of clauses 3.9, 3.9.1, 3.9.2, 3.9.3, 3.9.3.1, 3.9.3.2, 3.9.4 and 3.9.4.1 and the substitution of the following therefor:
- 3.9 Storage of Cylinders for Use or Sale.
- 3.9.1 Section 3.9 shall apply to the storage of cylinders not in excess of 1000 pounds water capacity, filled or partially filled, at user location but not connected for use, or in storage for sale by distributors or resellers.
- 3.9.2 General.
- 3.9.3 Storage of Cylinders for Use Within Buildings Frequented by the Public.
- 3.9.3.1 Cylinders shall not be stored for use within such buildings.
- 3.9.3.2 Storage as provided in clause 3.9.6 shall not be permitted within or attached to such buildings.
- 3.9.4 Storage of Cylinders for Use Within Buildings Not Frequented by the Public.
- 3.9.4.1 The quantity of LP-Gas stored shall not exceed 300 pounds, (approximately 2550 cubic feet in vapour form) except as provided in clause 3.9.6.1.
70. The addition of the following clauses:
- 3.9.2.1 Cylinders in storage shall be located so as to minimize exposure to excessive temperature rise, physical damage, or tampering by unauthorized persons.
- 3.9.2.2 Cylinders when stored inside shall not be located near exits, stairways or in areas used or intended for safe exit of people.
- 3.9.2.3 Cylinders (empty or filled) which require valve protecting caps shall have such caps in place while in storage.
- 3.9.2.4 The outlet valve of cylinders in storage shall be closed.
- 3.9.2.5 Empty cylinders which have been in LP-gas service shall preferably be stored in the open. When stored inside they shall be considered as full cylinders for the purpose of determining the maximum quantity of LP-gas permitted by this clause.
- 3.9.5 Storage of Cylinders for Use Located Outside of Buildings.
- 3.9.5.1 Such storage shall be located at least 25 feet from buildings, property lines or thoroughfares. Such storage shall not be located within 50 feet of adjoining line of property occupied by schools, churches, hospitals, athletic fields or other points of public gathering.
- 3.9.5.2 Cylinders shall be in a suitable fenced enclosure, at least 25 feet from buildings (except container charging room or building), sources of heat, open flames or other sources of ignition, or as approved by authority having jurisdiction, as provided in clause 3.6.11.4.
- 3.9.5.3 Valves and safety relief devices shall be protected against accumulations of ice and snow. Protective caps shall be deemed adequate.
- 3.9.6 Storage of Cylinders Located Within Special Buildings or Rooms.
- 3.9.6.1 The quantity of LP-gas stored in special buildings or rooms shall not exceed 10,000 pounds except with the approval of the authority having jurisdiction.
- 3.9.6.2 The construction of special buildings, rooms, cylinders or compartments for the storage of LP-gas shall be in accordance with the requirements of the authority having jurisdiction.
- 3.9.6.3 Special buildings or rooms shall not be located within 50 feet of adjoining line or property occupied by schools, churches, hospitals, athletic fields or other points of public gathering.
- 3.9.6.4 The electrical installation in special buildings or rooms shall be in accordance with the C.S.A. Standard C22.1-1962 Canadian Electrical Code Part I—Class I, Group D for Hazardous Locations.
- 3.9.7 Storage of Cylinders for Sale Within Buildings Frequented by the Public.
- 3.9.7.1 Cylinders having a maximum water capacity of 2½ pounds each, such as those sold with completely self-contained hand torches, or similar application, may be stored or displayed in buildings frequented by the public. The display of such cylinders shall be limited to a total of 24 units of each brand and size. The total quantity on display and in storage shall not exceed 200 pounds of LP-gas by weight in such buildings.
- 3.9.7.2 Storage of cylinders as provided in clause 3.9.6 shall not be permitted or attached to buildings frequented by the public.
- 3.9.8 Storage of Cylinders for Sale Located Outside Buildings.

- 3.9.8.1 Such storage shall be located at least 25 feet from buildings, property lines or thoroughfares. Such storage shall not be located within 50 feet of adjoining line of property occupied by schools, churches, hospitals, athletic fields or other points of public gathering.
- 3.9.8.2 To minimize trespassing or tampering, a fence at least 6 feet in height and constructed of materials equivalent to steel wire mesh of not less than .10 inch diameter having openings not greater than 6 inches and having at least 2 means of access shall enclose and be located, at least, 10 feet from any of the following: Container filling room or building, container warehouse, container storage area, tank truck loading and unloading outlets, pumps, compressors and bulk LP-gas storage tanks.
- 3.9.8.3 Valves and safety relief devices shall be protected against accumulations of ice and snow. Protective caps shall be deemed adequate.

71. The deletion of clause 3.10.5.3 and the substitution of the following therefor:

3.10.5.3 A container system may be installed:

- (a) in a recess that is vapour tight to the inside of the vehicle and accessible from and vented to the outside; or
- (b) within a vehicle in a metal cabinet that is vapour tight to the inside of the vehicle and that is constructed and secured in such a manner that it is capable of withstanding loading in any direction, of at least $2\frac{1}{2}$ times the combined weight of the cabinet and the container; provided that the cabinet is vented by a tube of at least $2\frac{1}{2}$ inches in diameter extending from the bottom of the cabinet to a point outside the vehicle a safe distance from any source of ignition.

72. The deletion of clause 3.10.11.2 and the substitution of the following therefor:

3.10.11.2 All gas-fired heating appliances, including water heaters, shall be designed and installed to provide for complete separation of the combustion system from the atmosphere of the living space. Combustion air inlet and flue gas outlet assemblies, which will extend to the outside atmosphere, shall be provided as components of the appliance.

73. The addition of subclause (e) to clause 3.10.12.6:

3.10.12.6 (e) This gas installation is designed for use with propane gas.

74. The deletion of clause 3.11.5 and the substitution of the following therefor:

3.11.5 The installation of storage containers shall comply with clauses 3.4.7. and 3.6

2. The installation, repair service or removal of appliances for the use of undiluted liquefied petroleum gas shall comply with the code of standards as adopted and changed by section 1.

(1703)

1

Publications Under The Regulations Act

January 9th, 1965

THE PUBLIC SERVICE ACT, 1961-62

O. Reg. 337/64.

General.

Made—December 10th, 1964.

Approved—December 17th, 1964.

Filed—December 18th, 1964.

REGULATION MADE UNDER THE PUBLIC SERVICE ACT, 1961-62

1. Schedules 3, 4, 5 and 6, as made by section 2 of Ontario Regulation 15/64, and Schedule 7, as made by section 3 of Ontario Regulation 244/64, to Ontario Regulation 190/62 are revoked and the following substituted therefor:

Schedule 3

Accommodation Officer 1

Accommodation Officer 2

Accountant 1

Accountant 2

Accountant 3

Accountant 1, Savings Office

Accountant 2, Savings Office

Accountant 3, Savings Office

Accountant 4, Savings Office

Assistant Postmaster

Assistant Registrar 1, Supreme Court of Ontario

Assistant Registrar 2, Supreme Court of Ontario

Assistant Supervisor of Electrical Devices

Audiological Services Technician

Audit Clerk 1

Audit Clerk 2

Cabinet Agenda Secretary

Cartographer 1

Cartographer 2

Cartographer 3

Clerical Stenographer 1

Clerical Stenographer 2

Clerical Stenographer 3

Clerical Stenographer 4

Clerical Stenographer 5

Clerical Typist 1

Clerical Typist 2

Clerical Typist 3

Clerical Typist 4

Clerk 1, Filing

Clerk 2, Filing

Clerk 3, Filing

Clerk 4, Filing

Clerk 5, Filing

Clerk 1, General

Clerk 2, General

Clerk 3, General

Clerk 4, General

Clerk 5, General

Clerk 1, Mail and Messenger

Clerk 2, Mail and Messenger

Clerk 3, Mail and Messenger

Clerk 4, Mail and Messenger

Clerk 1, Postal Service

Clerk 2, Postal Service

Clerk 3, Postal Service

Clerk and Senior Legislative Attendant

Computer Technician, Trainee

Computer Technician 1

Computer Technician 2

Dental Assistant

Dental Hygienist

Dental Technician

Document Examiner, Trainee

Document Examiner 1

Document Examiner 2

Draftsman 1

Draftsman 2

Draftsman 3

Draftsman, Tracer

Driver Examiner (Probationary)

Driver Examiner 1

Editor 1, Department of Mines

E. E. G. Technician 1

E. E. G. Technician 2

E. E. G. Technician 3

Executive Secretary to the Chief Director

Instrument Repairman 1

Instrument Repairman 2

Instrument Repairman, Foreman

Junior Commercial Artist

Junior Draftsman

Laboratory Assistant

Laboratory Attendant 1

Laboratory Attendant 2

Laboratory Technician 1

Laboratory Technician 2

Laboratory Technician 3

Ledgerkeeper 1

Ledgerkeeper 2

Ledgerkeeper 3

Library Assistant 1

Library Assistant 2

Mining Recorder

Nurse 1, Clinic

Nurse 2, Clinic

Operator 1, Addressing Equipment

Operator 2, Addressing Equipment

Operator 1, Bindery Equipment

Operator 2, Bindery Equipment

Operator 1, Bookkeeping Machine

Operator 2, Bookkeeping Machine

Operator 3, Bookkeeping Machine

Operator 1, Central Switchboard

Operator 2, Central Switchboard

Operator 3, Central Switchboard

Operator, Comptometer

Operator, Copy Machine

Operator 1, Electronic Computer

Operator 2, Electronic Computer

Operator 3, Electronic Computer

Operator 1, Key Punch Equipment

Operator 2, Key Punch Equipment

Operator 3, Key Punch Equipment

Operator 4, Key Punch Equipment

Operator 5, Key Punch Equipment

Operator, Mail Inserting Machine

Operator 1, Microfilm

Operator 2, Microfilm

Operator 3, Microfilm

Operator 1, Offset Equipment

Operator 2, Offset Equipment

Operator 3, Offset Equipment

Operator 4, Offset Equipment

Operator 1, Tabulating Equipment

Operator 2, Tabulating Equipment

Operator 3, Tabulating Equipment

Operator 4, Tabulating Equipment

Operator 5, Tabulating Equipment

Operator 6, Tabulating Equipment

Operator 1, Telephone Switchboard

Operator 2, Telephone Switchboard

Operator 1, Teletype Equipment

Operator 2, Teletype Equipment
 Operator 1, Whiteprint Equipment
 Operator 2, Whiteprint Equipment
 Operator 3, Whiteprint Equipment
 Operator 4, Whiteprint Equipment

Photogrammetrist 1
 Photogrammetrist 2
 Photogrammetrist 3
 Photogrammetrist, Trainee
 Photographer 1
 Photographer 2
 Photographer 3
 Photo-Mechanical Technician 1
 Photo-Mechanical Technician 2
 Placement Officer
 Platemaker 1
 Platemaker 2
 Principal Audit Clerk
 Printing Estimator

Radiation Technician
 Receptionist
 Reception Centre Supervisor
 Review Officer 1

Secretary 1
 Secretary 2
 Secretary 3
 Secretary 4
 Secretary 5
 Secretary to Chairman, Ontario Municipal Board
 Secretary to Deputy Minister
 Secretary to Secretary of the Cabinet
 Secretary to the Chief Justice of Ontario
 Secretary to the Chief Justice of the High Court
 Secretary to the Lieutenant Governor
 Secretary to the Minister
 Secretary to the Prime Minister
 Secretary to the Provincial Auditor
 Secretary to the Speaker
 Senior Audit Clerk
 Senior Placement Officer
 Senior Usher and Messenger
 Stenographic Reporter
 Stereoplotter 1
 Stereoplotter 2
 Stereoplotter 3
 Superintendent, Cable Testing Laboratory

Tax Auditor 1
 Tax Auditor 2
 Technician 1, Photographic
 Technician 2, Photographic
 Technician 3, Photographic
 Technician 4, Photographic
 Teller 1
 Teller 2
 Teller 3
 Teller 4
 Traffic Devices Designer
 Travel Counsellor
 Typist 1
 Typist 2
 Typist 3
 Typist 4

Usher and Messenger

X-Ray Instructor
 X-Ray Technician 1
 X-Ray Technician 2
 X-Ray Technician, Apprentice
 X-Ray Technician, Supervisor
 X-Ray Unit Operator 1
 X-Ray Unit Operator 2
 X-Ray Unit Supervisor 1
 X-Ray Unit Supervisor 2

Schedule 4

Activity Therapy Attendant
 Air Engineer
 Airframe Finisher

Animal Attendant 1
 Animal Attendant 2
 Arboriculturist 1
 Assistant Garage Superintendent, Parliament Buildings
 Assistant Plant Superintendent, Air Service
 Assistant Superintendent of Police Garage

Baker 1
 Baker 2
 Barber
 Blacksmith
 Boat Captain
 Bookbinder 1
 Bookbinder 2
 Bridge Operator
 Buildings Caretaker 1
 Buildings Caretaker 2
 Buildings Caretaker 3
 Buildings Cleaner 1
 Buildings Cleaner 2
 Buildings Cleaner and Helper 1
 Buildings Cleaner and Helper 2
 Buildings Cleaner and Helper 3
 Buildings Cleaner and Helper 4
 Buildings Maintenance Superintendent 1
 Buildings Maintenance Superintendent 2
 Bush Foreman
 Butcher 1
 Butcher 2

Cable Ferry Operator 1
 Cable Ferry Operator 2
 Canteen Operator 1
 Canteen Operator 2
 Carpenter
 Child Care Assistant 1
 Child Care Assistant 2
 Child Care Worker 1
 Child Care Worker 2
 Child Care Worker 3
 Clerk 1, Supply
 Clerk 2, Supply
 Clerk 3, Supply
 Clerk 4, Supply
 Clerk 5, Supply
 Clerk 6, Supply
 Clerk 7, Supply
 Communications Technician 1
 Communications Technician 2
 Compositor
 Conservation Officer 1
 Conservation Officer 2
 Conservation Officer 3
 Construction Inspector
 Cook 1
 Cook 2
 Cook 3
 Custodial Officer 1
 Custodial Officer 2
 Custodial Officer 3
 Custodial Officer 4
 Custodial Officer 5
 Custodial Officer 6
 Custodial Officer 7

Deckhand
 Dispensary Assistant
 Driver 1
 Driver 2

Electrician
 Electronics Repairman
 Electronics Technician
 Elevator Attendant
 Engineer's Assistant 1
 Engineer's Assistant 2
 Engineer's Assistant 3
 Engineer's Assistant 4
 Engineer's Assistant 5
 Equipment Spray Painter

Farm Hand 1
 Farm Hand 2
 Ferry Captain

Ferry Mate
 Fireman
 Fish Culturist 1
 Fish Culturist 2
 Fish Culturist 3
 Forestry Technician 1
 Forestry Technician 2
 Forestry Technician 3

Garage Attendant
 Garage Attendant Supervisor
 Garage Superintendent, Parliament Buildings
 Gardener 1
 Gardener 2

Hairdresser 1
 Hairdresser 2
 Head Animal Attendant
 Head Gardener
 Head Herdsman
 Head Horseman
 Head Houseman
 Head Poultryman
 Head Shepherd
 Herdsman 1
 Herdsman 2
 Helper, Food Service
 Highway Construction Inspector 1
 Highway Construction Inspector 2
 Highway Equipment Instructor 1
 Highway Equipment Instructor 2
 Highway Equipment Instructor 3
 Highway Equipment Operator 1
 Highway Equipment Operator 2
 Highway Equipment Operator 3
 Highway Equipment Operator 4
 Highway Equipment Supervisor 1
 Highway General Foreman 1
 Highway General Foreman 2
 Highway Inspection Assistant 1
 Highway Inspection Assistant 2
 Highway Inspection Assistant 3
 Highway Labour Foreman
 Highway Mechanic Foreman
 Highway Patrolman 1
 Highway Patrolman 2
 Highway Patrol Supervisor
 Highway Services Supervisor
 Hospital Aid 1
 Hospital Aid 2
 Hospital Aid 3
 Hospital Attendant 1
 Hospital Attendant 2
 Hospital Attendant 3
 Hospital Attendant 4
 Housekeeper 1
 Housekeeper 2
 Housekeeper 3
 Houseman
 Houseparent 1
 Houseparent 2

Industrial Officer 1
 Industrial Officer 2
 Industrial Officer 3
 Industrial Officer 4
 Industrial Officer 5

Jailer 1
 Jailer 2

Labourer
 Landscape Crewman
 Laundress 1
 Laundress 2
 Laundry Worker 1
 Laundry Worker 2
 Laundry Worker 3
 Lineman
 Linotype Operator
 Lockmaster

Maid 1, Food Service
 Maid 2, Food Service
 Maintenance Bricklayer
 Maintenance Carpenter
 Maintenance Carpenter, Foreman
 Maintenance Electrician
 Maintenance Electrician, Foreman
 Maintenance Foreman
 Maintenance Foreman, Toll Bridge
 Maintenance Machinist
 Maintenance Machinist, Foreman
 Maintenance Mason
 Maintenance Mechanic, Helper
 Maintenance Mechanic, Improver
 Maintenance Mechanic, Journeyman
 Maintenance Painter and Decorator
 Maintenance Painter and Decorator, Foreman
 Maintenance Plasterer
 Maintenance Plasterer, Foreman
 Maintenance Plumber
 Maintenance Plumber, Foreman
 Maintenance Refrigeration Mechanic
 Maintenance Refrigeration Mechanic, Foreman
 Maintenance Sheet Metal Worker
 Maintenance Steamfitter
 Maintenance Supervisor, Ontario Hospital
 Maintenance Supervisor, Toll Bridge
 Maintenance Welder
 Map Mounting Supervisor
 Marine Engineer
 Marine Oiler
 Matron 1
 Matron 2
 Matron 3
 Matron 4
 Mechanic 1
 Mechanic 2
 Mechanic Foreman
 Mine Rescue Equipment Technician
 Mine Rescue Station Superintendent
 Motor Vehicle Operator

Nurse 1, General
 Nurse 2, General
 Nurse 3, General
 Nurse 1, Nursing Education
 Nurse 2, Nursing Education

Occupational Therapy Assistant

Parking Attendant
 Pasteurizer
 Physical Instructor
 Plot Foreman
 Plot Supervisor
 Poultryman 1
 Poultryman 2
 Pressman
 Provincial Bailiff 1
 Provincial Bailiff 2

Radio Dispatcher (Civilian) Ontario Provincial Police
 Radio and T.V. Repairman
 Radio Operator 1 (Without Certificate)
 Radio Operator 2 (With Certificate)
 Radio Telephone Operator
 Ranger 1
 Ranger 2
 Ranger 3
 Recreational Supervisor, Ontario Hospital
 Residence Supervisor 1
 Residence Supervisor 2

School Aid, Ontario Hospital
 Seamstress 1
 Seamstress 2
 Senior Bridge Operator
 Senior Ferry Captain 1
 Senior Ferry Captain 2
 Senior Fireman
 Senior Marine Engineer
 Shoe Repairer
 Sign Painter, Foreman
 Sign Painter, Helper

Sign Painter, Improver
 Sign Painter, Journeyman
 Sign Painter Supervisor
 Stationary Engineer 1
 Stationary Engineer 2
 Stationary Engineer 3
 Stationary Engineer 4
 Stationary Engineer 5
 Store Manager
 Superintendent of Police Garage
 Supervising Gardener
 Supervising Herdsman
 Supervisor of Electrical Crews
 Survey Technician 1
 Survey Technician 2
 Survey Technician 3
 Survey Technician 4
 Survey Technician 5

Tailor
 Teamster
 Toll Captain 1
 Toll Captain 2
 Toll Collector
 Traffic Patrolman 1, Department of Highways
 Traffic Patrolman 2, Department of Highways
 Traffic Patrol Supervisor, Department of Highways
 Trade Instructor 1
 Trade Instructor 2
 Trade Instructor 3
 Training School Supervisor 1
 Training School Supervisor 2
 Training School Supervisor 3
 Training School Supervisor 4
 Training School Supervisor 5
 Training School Supervisor 6
 Transport Driver

Upholstery Repairer

Vehicle and Construction Equipment Supervisor

Watchman
 Water Level Control Assistant
 Water Level Control Supervisor

Zone Painting Supervisor

Schedule 5

Cadet, Ontario Provincial Police
 Constable, Ontario Provincial Police
 Constable (Probationary)
 Corporal, Ontario Provincial Police

Schedule 6

Access Roads Manager
 Access Roads Superintendent
 Accommodation Manager
 Accountant 4
 Accountant 5
 Accountant 6
 Accountant, Supreme Court of Ontario
 Administrative Officer, Department of Highways
 Administrative Trainee
 Administrator, Data Processing, Transport
 Administrator, Training Schools
 Adviser, Secondary School Correspondence Courses
 Adviser in Psychology
 Adviser on Police Services
 Advisory Counsel 1
 Advisory Counsel 2
 Advisory Counsel 3
 Agent General for the Province of Ontario in Great Britain
 Agricultural Officer 1
 Agricultural Officer 2
 Agricultural Officer 3
 Agricultural Officer 4
 Agricultural Representative 1
 Agricultural Representative 2
 Agricultural Representative 3
 Agricultural Specialist 1, Dairy

Agricultural Specialist 2, Dairy
 Agricultural Specialist 3, Dairy
 Agricultural Specialist 1, Engineering
 Agricultural Specialist 2, Engineering
 Agricultural Specialist 3, Engineering
 Agricultural Specialist, Farm Management
 Agricultural Specialist 1, Fruit and Vegetables
 Agricultural Specialist 2, Fruit and Vegetables
 Agricultural Specialist 3, Fruit and Vegetables
 Agricultural Specialist 1, Livestock
 Agricultural Specialist 2, Livestock
 Agricultural Specialist 3, Livestock
 Agricultural Specialist 1, Seeds and Weeds
 Agricultural Specialist 2, Seeds and Weeds
 Agricultural Specialist 1, Soils and Crops
 Agricultural Specialist 2, Soils and Crops
 Agricultural Specialist 3, Soils and Crops
 Apprenticeship Counsellor 1
 Apprenticeship Counsellor 2
 Apprenticeship Standards Officer
 Arboriculturist 2
 Architect 1
 Architect 2
 Architect 3
 Architect 4
 Architect 5
 Architect 6
 Architectural Job Captain 1
 Architectural Job Captain 2
 Architectural Job Captain 3
 Architectural Services Officer, Department of University Affairs
 Archivist 1
 Archivist 2
 Archivist of Ontario
 Assistant, Agricultural Colleges
 Assistant Accommodation Manager
 Assistant Chief Architect
 Assistant Chief Auditor, Ontario Securities Commission
 Assistant Chief, Mining Lands Branch
 Assistant Chief Credit Union Examiner
 Assistant Chief Elevator Inspector
 Assistant Chief Inspector, Factory Inspection Branch
 Assistant Commissioner, Ontario Provincial Police
 Assistant Community Programmes Adviser
 Assistant Comptroller, Department of Health
 Assistant Comptroller of Accounts
 Assistant Comptroller of Revenue
 Assistant Crown Attorney 1
 Assistant Crown Attorney 2
 Assistant Crown Attorney 3
 Assistant Crown Attorney 4
 Assistant Deputy Attorney-General
 Assistant Deputy Minister, Administration, Department of Highways
 Assistant Deputy Minister, Community Planning
 Assistant Deputy Minister, Department of Agriculture
 Assistant Deputy Minister, Department of Labour
 Assistant Deputy Minister, Department of Lands and Forests
 Assistant Deputy Minister, Department of Reform Institutions
 Assistant Deputy Minister, Department of University Affairs
 Assistant Deputy Minister, Engineering, Department of Highways
 Assistant Deputy Minister, Municipal Administration
 Assistant Deputy Minister, Municipal Finance
 Assistant Director, Apprenticeship Branch
 Assistant Director, Emergency Measures Organization
 Assistant Director, Geological Branch
 Assistant Director, Savings Office Branch
 Assistant Director, Succession Duty Branch
 Assistant Director, Theatres Branch
 Assistant Director of Municipal Finance
 Assistant Examiner of Surveys
 Assistant Manager, Electronics Data Processing
 Assistant Master, Supreme Court of Ontario
 Assistant Professor
 Assistant Property Administrator
 Assistant Property Valuator
 Assistant Provincial Auditor
 Assistant Registrar, Department of Education
 Assistant Registrar, Federated Colleges

Assistant Sulphur Fumes Arbitrator
 Assistant Superintendent, Business Administration,
 Department of Education
 Assistant Superintendent, Department of Education
 Assistant Superintendent 1, Department of Reform
 Institutions
 Assistant Superintendent 2, Department of Reform
 Institutions
 Assistant Superintendent, Ontario School for the Blind,
 Ontario School for the Deaf
 Assistant Supervisor, Homemaking Services and
 Nursing Home Inspection
 Assistant Technical Adviser
 Assistant Treasury Board Analyst
 Assistant to the Deputy Minister, Department of
 Health
 Associate Deputy Attorney-General
 Associate Deputy Minister, Treasury Department
 Associate Director of Conciliation Services
 Associate Professor
 Athletics Commissioner
 Athletics Supervisor and Dean of Men
 Audiological Services Adviser
 Audit Accountant
 Auditor, Office of the Inspector of Legal Offices
 Auditor 1, Ontario Securities Commission
 Auditor 2, Ontario Securities Commission

 Biologist 1
 Biologist 2
 Biologist 3
 Buildings Caretaker 4
 Buildings Caretaker 5
 Buildings Caretaker 6
 Buildings Caretaker 7
 Buildings Maintenance Superintendent 3
 Buildings Maintenance Superintendent 4
 Buildings Superintendent
 Bursar 1
 Bursar 2
 Bursar 3
 Bursar 4
 Bursar 5
 Business Administrator, Office of the Public Trustee

 Cartographer 4
 Cartographer 5
 Cartographer 6
 Cartographer 7
 Casualty Actuary
 Central Stores Supervisor
 Chairman, Board of Examiners of Operating Engineers
 Chairman, Civil Service Commission
 Chairman, Industry and Labour Board
 Chairman, Medical Advisory Board
 Chairman, Ontario Energy Board
 Chairman, Ontario Highway Transport Board
 Chairman, Ontario Labour Relations Board
 Chairman, Ontario Municipal Board
 Chairman, Parole Board
 Chairman, Public Service Superannuation Board
 Chaplain 1
 Chaplain 2
 Check Pilot
 Chief Accountant 1
 Chief Accountant 2
 Chief Accountant 3
 Chief Arboriculturist
 Chief Architect, Department of Public Works
 Chief Audit Accountant 1
 Chief Audit Accountant 2
 Chief Audit Accountant 3
 Chief Auditor, Ontario Securities Commission
 Chief Auditor of Revenue
 Chief Child Care Worker
 Chief College Security Officer
 Chief, Conservation Authorities Branch
 Chief Credit Union Examiner
 Chief Director of Education
 Chief Economist
 Chief Elevator Inspector
 Chief Estate Assessor
 Chief Estates Officer
 Chief Examiner

 Chief Executive Officer, Department of the Prime
 Minister
 Chief Fire Prevention Officer
 Chief, Fish and Wildlife
 Chief, Forest Protection
 Chief Hospitals Tax Inspector
 Chief Industrial Development Officer
 Chief Industrial Health Counsellor
 Chief Inspector, Department of Transport
 Chief Inspector, Energy Resources (Inspection
 Services)
 Chief Inspector, Energy Resources (Drilling and
 Production)
 Chief, Inspector, Factory Inspection Branch
 Chief Inspector, Fire Marshal's Office
 Chief Inspector, Ontario Provincial Police
 Chief Inspector of Boilers
 Chief Inspector of Prisons
 Chief Inspector of Signs and Buildings Permits
 Chief Inspector of Surveys
 Chief Instructor and Extension Specialist
 Chief Instructor, Emergency Measures Organization
 Chief Instrument Repairman
 Chief Investigator, Ontario Securities Commission
 Chief, Mental Health Branch
 Chief, Mining Lands Branch
 Chief Photogrammetrist
 Chief Property Agent
 Chief, Provincial Parks
 Chief Psychologist
 Chief Purchasing Officer
 Chief Research Scientist, Agriculture
 Chief Stationary Engineer 1
 Chief Stationary Engineer 2
 Chief Stationary Engineer 3
 Chief Stationary Engineer 4
 Chief Stationary Engineer 5
 Chief Supreme Court Reporter
 Chief Tax Auditor
 Chief, Timber
 Chief of Contracts
 Chief of Fire Services Division
 Chief of Services, Public Works
 Child Care Training Supervisor
 Child Welfare Supervisor
 Citizenship Liaison Officer (Trainee)
 Citizenship Liaison Officer 1
 Citizenship Liaison Officer 2
 Citizenship Training Adviser
 Civil Service Commission Officer 1
 Civil Service Commission Officer 2
 Civil Service Commission Officer 3
 Claims Engineer
 Clerk 6, General
 Clerk 7, General
 Clerk 8, Supply
 Clerk of the Executive Council
 Clerk of the Legislative Assembly and Chief Election
 Officer
 College Security Officer
 Commercial Artist 1
 Commercial Artist 2
 Commercial Artist 3
 Commissioner, Ontario Energy Board
 Commissioner, Ontario Provincial Police
 Commissioner for Highway Safety
 Communications Officer, Emergency Measures
 Organization
 Communications Supervisor
 Communications Technician 3
 Community Planner 1
 Community Planner 2
 Community Planner 3
 Community Planner 4
 Community Planner 5
 Community Planner 6
 Community Planner 7
 Community Programmes Adviser
 Community Programmes Representative
 Community Programmes Supervisor
 Comptroller and Chief Accountant, Department of
 Lands and Forests
 Comptroller, Department of Health
 Comptroller, Federated Colleges

Comptroller of Accounts
 Comptroller of Revenue
 Computer Programmer 1
 Computer Programmer 2
 Computer Programmer 3
 Computer Programmer 1 (Scientific)
 Computer Programmer 2 (Scientific)
 Computer Programmer 3 (Scientific)
 Computer Programmer 4 (Scientific)
 Computer Technician 3
 Conciliation Officer 1
 Conciliation Officer 2
 Conciliation Officer 3
 Conservation Officer 4
 Conservation Officer 5
 Conservation Officer 6
 Conservation Officer 7
 Conservationist 1
 Conservationist 2
 Conservationist 3
 Conservationist 4
 Construction Safety Officer
 Construction Safety Supervisor
 Construction Superintendent 1
 Construction Superintendent 2
 Construction Superintendent 3
 Cook 4
 Cook 5
 Cook 6
 Co-ordinator of Press Relations
 Court Reporter Apprentice
 Court Reporter 1
 Court Reporter 2
 Credit Union Examiner 1
 Credit Union Examiner 2
 Crown Attorney 1
 Crown Attorney 2
 Crown Attorney 3
 Crown Attorney for the City of Toronto and the
 County of York
 Curriculum and Standards Officer, Technological and
 Trades Training
 Dairy Herd Improvement Fieldman
 Day Nurseries Supervisor
 Dean of Agriculture
 Dean of Household Science
 Dean of Residence, Ontario School for the Deaf
 Dean of Veterinary Science
 Dentist 1
 Dentist 2
 Deputy Assistant Superintendent, Department of
 Reform Institutions
 Deputy Attorney-General
 Deputy Commissioner, Ontario Provincial Police
 Deputy Crown Attorney
 Deputy Director, Industrial Development Branch
 Deputy Director, Ontario Police College
 Deputy Director of Titles
 Deputy Fire Marshal
 Deputy Local Master of Titles and Registrar of Deeds 1
 Deputy Local Master of Titles and Registrar of Deeds 2
 Deputy Local Master of Titles and Registrar of Deeds 3
 Deputy Master of Titles
 Deputy Minister, Department of Agriculture
 Deputy Minister, Department of Economics and
 Development
 Deputy Minister, Department of Education
 Deputy Minister, Department of Energy and
 Resources Management
 Deputy Minister, Department of Health
 Deputy Minister, Department of Highways
 Deputy Minister, Department of Labour
 Deputy Minister, Department of Lands and Forests
 Deputy Minister, Department of Mines
 Deputy Minister, Department of Municipal Affairs
 Deputy Minister, Department of Public Welfare
 Deputy Minister, Department of Public Works
 Deputy Minister, Department of Reform Institutions
 Deputy Minister, Department of Tourism and
 Information
 Deputy Minister, Department of Transport
 Deputy Minister, Department of University Affairs
 Deputy Official Guardian

Deputy Provincial Secretary
 Deputy Provincial Treasurer
 Deputy Public Trustee
 Deputy Registrar, Ontario Labour Relations Board
 Deputy Registrar 1, Ontario Securities Commission
 Deputy Registrar 2, Ontario Securities Commission
 Deputy Registrar, Supreme Court of Ontario
 Deputy Registrar-General
 Deputy Registrar of Motor Vehicles
 Deputy Vice-Chairman, Ontario Labour Relations
 Board
 Designer 1
 Designer 2
 Detective Sergeant
 Dietitian 1
 Dietitian 2
 Director, Advertising Branch
 Director, Agricultural Research Institute
 Director, Apprenticeship Branch
 Director, Attorney-General's Laboratory
 Director, Child Welfare Branch
 Director, Day Nurseries Branch
 Director, Department of Education, Special Services
 Director, Department of Health
 Director, Department of Public Welfare
 Director, Department of Public Works
 Director, Design Branch, Department of Highways
 Director, Emergency Measures Organization
 Director, Energy Resources (Drilling and Production)
 Director, Energy Resources (Inspection Services)
 Director, Environmental Sanitation Branch
 Director, Gasoline Tax Branch
 Director, Geological Branch
 Director, Government Accounting
 Director, Historic Restorations
 Director, Horticultural Experiment Station
 Director, Hospitals Tax Branch
 Director, Human Rights Commission
 Director, Legal Branch and Taxation Counsel
 Director, Medical Statistics
 Director, Municipal Administration Branch
 Director, Municipal Assessment Branch
 Director, Municipal Auditing and Accounting Branch
 Director, Ontario Development Agency
 Director, Ontario Police College
 Director, Ontario Securities Branch
 Director, Planning Branch, Department of Highways
 Director, Publicity Branch
 Director, Retail Sales Tax Branch
 Director, Savings Office Branch
 Director, Securities Branch
 Director, Security Transfer Tax Branch
 Director, Services Branch, Department of Highways
 Director, Student Affairs, Federated Colleges
 Director, Succession Duty Branch
 Director, Theatres Branch
 Director, Tourist Industry Development Branch
 Director, Training and Development
 Director, Western Ontario Agricultural School and
 Experimental Farm
 Director, Women's Bureau
 Director and Master of Titles
 Director of Administrative Services
 Director of Chaplain Services, Department of Reform
 Institutions
 Director of Citizenship
 Director of Companies
 Director of Conciliation Services
 Director of Coroners
 Director of Dental Services
 Director of Economics Research
 Director of Education, Department of Reform
 Institutions
 Director of Energy Studies
 Director of English Instruction
 Director of Estimates, Treasury Board
 Director of Finance, Department of University Affairs
 Director of Finance and Personnel
 Director of French Instruction
 Director of Industrial Development
 Director of Insurance Branch
 Director of Labour Standards

Director of Library Services and Public Relations Officer	Farmer 2
Director of Maintenance and Industries	Farm Products Inspector 1
Director of Municipal Finance	Farm Products Inspector 2
Director of Municipal Subsidies	Farms Administrator
Director of Ontario Centennial Project	Field Assistant 1
Director of Ontario Fire College	Field Assistant 2
Director of Operations, Department of Lands and Forests	Field Assistant 3
Director of Organization and Methods Service	Fieldman 1
Director of Pay Research	Field Officer, Ontario Labour Relations Board
Director of Personnel and Administrative Services (O.P.P.)	Field Representative (Probationary)
Director of Position Administration	Field Representative
Director of Probation Services	Financial Comptroller, Department of Highways
Director of Psychology, Department of Reform Institutions	Fire Marshal
Director of Public Prosecutions	Fire Prevention Officer
Director of Recruitment and Examinations	Fire Safety Inspector
Director of Registration and Examination	Fire Services Instructor 1
Director of Research, Department of Lands and Forests	Fire Services Instructor 2
Director of Social Work, Department of Reform Institutions	Firearms Examiner
Director of Staff Relations	Food Services Administrator
Director of Technical Services	Forensic Research Associate
Director of Welfare Allowances	Forestry Technician 4
District Construction Superintendent, District No. 7	Forestry Technician 5
District Inspector, Ontario Provincial Police	Forestry Technician 6
Driver Examiner 2	Forestry Technician 7
Driver Examiner 3	Forester 1
Driver Examiner 4	Forester 2
Economist 1	Forester 3
Economist 2	Forester 4
Economist 3	Forester 5
Economist 4	Fur Management Supervisor
Economist 5	General Manager, Ontario St. Lawrence Development Commission
Economist 6	General Municipal Counsel
Editor 2, Department of Mines	General Superintendent, Federated Colleges
Electrical Services Supervisor	General Superintendent of Mechanical Services
Elementary School Inspector	Geologist 1
Engineer 1	Geologist 2
Engineer 2	Guard Commander
Engineer 3	Head Audit Clerk
Engineer 4	Head Teacher
Engineer 5	Highway Construction Inspector 3
Engineer 6	Highway Construction Supervisor
Engineer 7	Highway District Engineer 1
Engineer's Assistant 6	Highway District Engineer 2
Engineer's Assistant 7	Highway Equipment Instructor 4
Engineer of Mines 1	Highway Equipment Supervisor 2
Engineer of Mines 2	Highway Maintenance Supervisor
Engineer of Mines 3	Highway Planning Analyst 1
Engineer of Mines 4	Highway Planning Analyst 2
Epidemiologist	Highway Planning Analyst 3
Estate Assessor 1	Highway Planning Analyst 4
Estate Assessor 2	Historical Research Officer 1
Estates Officer 1	Historical Research Officer 2
Estates Officer 2	Historical Research Officer 3
Estimator and Quantity Surveyor 1	Home Economist 1
Estimator and Quantity Surveyor 2	Home Economist 2
Examiner 1, Department of Insurance	Home Economist 3
Examiner 2, Department of Insurance	Horticulturist
Examiner 3, Department of Insurance	Hospital Attendant 5
Examiner 1, Ontario Labour Relations Board	Hospital Attendant 6
Examiner 2, Ontario Labour Relations Board	Hospital Attendant 7
Examiner of Reports and Designs (Boilers)	Hospital Business Administrator 1
Examiner of Surveys	Hospital Business Administrator 2
Examiner of Welding	Hospital Business Administrator 3
Executive Director, Department of Civil Service	Hospital Business Administrator 4(a)
Executive Director, Department of Energy and Resources Management	Hospital Business Administrator 4(b)
Executive Director, Department of Tourism and Information	Housing Analyst 1
Executive Officer 1	Housing Analyst 2
Executive Officer 2	Human Rights Commission Officer
Executive Officer 3	Immigration Counsellor
Executive Officer, Ontario Provincial Police	Immigration Officer 1
Executive Officer (Press Relations)	Immigration Officer 2
Executive Trainee, Department of Reform Institutions	Indian Development Officer
Farm Foreman	Industrial Development Officer 1
Farmer 1	Industrial Development Officer 2
	Industrial Safety Inspector 1
	Industrial Safety Inspector 2
	Industrial Safety Inspector 3
	Industrial Superintendent
	Inmate Counsellor, Reform Institutions
	Inspector, Criminal Investigations Branch

Inspector, Ontario Provincial Police
 Inspector, Operating Engineers' Branch
 Inspector, Real Estate Agencies
 Inspector (Probationary) Department of Transport
 Inspector 1, Department of Transport
 Inspector 2, Department of Transport
 Inspector 3, Department of Transport
 Inspector 1, Energy Resources (Drilling and Production)
 Inspector 2, Energy Resources (Drilling and Production)
 Inspector 1, Energy Resources (Inspection Services)
 Inspector 2, Energy Resources (Inspection Services)
 Inspector 1, Fire Marshal's Office
 Inspector 2, Fire Marshal's Office
 Inspector 1, Savings Office
 Inspector 2, Savings Office
 Inspector of Boilers (Probationary)
 Inspector of Boilers
 Inspector of Caissons
 Inspector of Elevators
 Inspector of Legal Offices
 Inspector of Mechanical Services
 Inspector of Mine Rescue and Recovery Training
 Inspector of Mining Claims
 Inspector of Prisons
 Inspector of Probation Services
 Inspector of Signs and Buildings Permits 1
 Inspector of Signs and Buildings Permits 2
 Inspector of Surveys 1
 Inspector of Surveys 2
 Inspector of Surveys 3
 Inspector of Theatres
 Inspector of Vital Statistics
 Instructor, Department of Agriculture
 Instructor, Emergency Measures Organization
 Instructor, Ontario Provincial Police
 Instructor 1, Ontario Forest Ranger School
 Instructor 2, Ontario Forest Ranger School
 Instructor 3, Ontario Forest Ranger School
 Instructor 1, Ontario Police College
 Instructor 2, Ontario Police College
 Instructor 1, Provincial Institutes of Trades
 Instructor 2, Provincial Institutes of Trades
 Instructor 3, Provincial Institutes of Trades
 Instructor 1, Teachers' College
 Instructor 2, Teachers' College
 Instructor and Extension Specialist 1
 Instructor and Extension Specialist 2
 Instructor in Professional Training
 Interior Designer 1
 Interior Designer 2
 Interior Design Supervisor
 Investigator 1, Ontario Securities Commission
 Investigator 2, Ontario Securities Commission
 Investigator of Estates

Laboratory Director, Class "A" Laboratory
 Laboratory Director, Class "B" Laboratory
 Laboratory Director, Class "C" Laboratory
 Laboratory Technician 4
 Labour Standards Officer 1
 Labour Standards Officer 2
 Laundry Worker 4
 Laundry Worker 5
 Laundry Worker 6
 Laundry Worker 7
 Laundry Worker 8
 Lecturer, Department of Agriculture
 Legal Officer 1
 Legal Officer 2
 Legal Officer 3
 Legal Officer 4
 Legal Officer 5
 Legal Survey Examiner
 Legislative Counsel
 Legislative Editor
 Librarian 1
 Librarian 2
 Librarian 3
 Librarian, Legislative Library
 Local Master of Titles and Registrar of Deeds 1
 Local Master of Titles and Registrar of Deeds 2

Local Master of Titles and Registrar of Deeds 3
 Local Master of Titles and Registrar of Deeds 4

Manager 1, Electronic Data Processing
 Manager 2, Electronic Data Processing
 Manager 1, Savings Office
 Manager 2, Savings Office
 Manager 3, Savings Office
 Manager 4, Savings Office
 Manager, Ontario Housing Corporation
 Manager, Photographic and Printing Unit
 Manager, Temiskaming Testing Laboratory
 Manager of Operations, Department of Highways
 Master 1, Provincial Technical Institute
 Master 2, Provincial Technical Institute
 Master 1, Supreme Court of Ontario
 Master 2, Supreme Court of Ontario
 Master, Teachers' College
 Materials Control Supervisor
 Member, Board of Censors
 Member, Board of Censors and Censor of Advertising
 Member, Board of Examiners of Operating Engineers
 Member, Industry and Labour Board
 Member, Ontario Highway Transport Board
 Member, Ontario Municipal Board
 Member, Parole Board
 Mine Assessor and Financial Adviser
 Mining Commissioner
 Museums Adviser

Neurophysiology Technician
 Nurse 3, Clinic
 Nurse, Field Service
 Nurse 4, General
 Nurse 5, General
 Nurse 6, General
 Nurse 7, General
 Nurse 3, Nursing Education
 Nurse 4, Nursing Education
 Nutritionist 1
 Nutritionist 2

Occupational Therapist 1
 Occupational Therapist 2
 Occupational Therapist 3
 Occupational Therapy Supervisor
 Official Guardian
 Organization and Methods Assistant
 Organization and Methods Officer 1
 Organization and Methods Officer 2
 Organization and Methods Officer 3
 Organizer 1, X-Ray Surveys
 Organizer 2, X-Ray Surveys

Personality Valuator 1
 Personality Valuator 2
 Personnel Assistant 1
 Personnel Assistant 2
 Personnel Officer 1
 Personnel Officer 2
 Personnel Director 1
 Personnel Director 2
 Personnel Director 3
 Personnel Director 4
 Pesticides Control Officer
 Pharmacist
 Physician 1
 Physician 2
 Physician 3
 Physician 4(a)
 Physician 4(b)
 Physician 4(c)
 Physician 5
 Physician 6
 Physician 7
 Physician 8
 Pilot
 Plant and Equipment Supervisor (Lands and Forests)
 Plant Superintendent, Air Service
 Position Specification Writer
 Postmaster, House of Assembly Post Office
 President of Federated Colleges
 Press Relations Supervisor

Principal, Kemptville Agricultural School	Rehabilitation Officer 4, Reform Institutions
Principal 1, Provincial Institutes of Trades	Research Scientist 1, Agriculture
Principal 2, Provincial Institutes of Trades	Research Scientist 2, Agriculture
Principal, Provincial Technical Institute	Research Scientist 3, Agriculture
Principal, Teachers' College	Research Scientist 4, Agriculture
Printer of Foreign Languages	Research Scientist 1, Lands and Forests
Printing Contracts Supervisor	Research Scientist 2, Lands and Forests
Probation Officer 1	Research Scientist 3, Lands and Forests
Probation Officer 2	Research Scientist 4, Lands and Forests
Probation Officer 3	Research Scientist 5, Lands and Forests
Probation Officer 4	Research Supervisor 1, Lands and Forests
Probation Staff Development Officer	Research Supervisor 2, Lands and Forests
Production Supervisor	Returning Officer, Ontario Labour Relations Board
Professor	Review Officer 2
Professor and Head of Department	Safety Instruction Officer 1
Programme Administrator, Technological and Trades Training	Safety Instruction Officer 2
Property Administrator	Safety Instruction Officer 3
Property Agent (Probationary)	Safety Instruction Officer 4
Property Agent 1	Scientist 1
Property Agent 2	Scientist 2
Property Agent 3	Scientist 3
Property Officer 1	Scientist 4
Property Officer 2	Scientist 5
Property Officer 3	Secondary School Inspector
Property Officer 4	Secondary School Teacher 1
Property Officer 5	Secondary School Teacher 2
Property Officer 6	Secondary School Teacher 3
Property Valuator	Secretary, Joint Advisory Council and Appeal Boards
Provincial Assayer	Secretary, Ontario Municipal Board
Psychological Assistant	Secretary, Public Service Superannuation Board
Psychologist 1	Secretary of the Cabinet
Psychologist 2	Secretary of the Treasury Board
Psychologist 3	Section Supervisor 1, Department of Lands and Forests
Public Health Educator	Section Supervisor 2, Department of Lands and Forests
Public Health Inspector 1	Senior Advisory Counsel
Public Health Inspector 2	Senior Air Engineer
Public Health Inspector 3	Senior Biologist
Public Health Inspector 4	Senior Deputy Master of Titles
Public Health Inspector 5	Senior Draftsman
Public Health Nursing Counsellor	Senior Estate Assessor
Public Relations Officer 1	Senior Estates Officer
Public Relations Officer 2	Senior Farm Products Inspector
Public Relations Officer 3	Senior Field Representative
Public Trustee	Senior Geologist
Publicity Photographer 1	Senior Highway Equipment Supervisor
Publicity Photographer 2	Senior Inspector of Signs and Buildings Permits
Publicity Photographer 3	Senior Legislative Counsel
Purchasing Officer 1	Senior Master, Supreme Court of Ontario
Purchasing Officer 2	Senior Member, Ontario Municipal Board
Purchasing Officer 3	Senior Planning Officer, Emergency Measures Organization
Queen's Printer	Senior Property Agent
Radiation Protection Physicist	Senior Purchasing Officer
Regional Director, Department of Lands and Forests	Senior Radiation Protection Physicist
Regional Field Officer, Emergency Measures Organization	Sergeant, Ontario Provincial Police
Regional Lands Planner	Service Areas Manager
Regional Supply Supervisor	Social Work Adviser
Regional Welfare Administrator 1	Social Work Assistant
Regional Welfare Administrator 2	Social Worker 1
Regional Welfare Administrator 3	Social Worker 2
Regional Welfare Administrator 4	Social Worker 3
Registrar, Department of Education	Social Worker 4
Registrar, Federated Colleges	Social Worker 5
Registrar, Office of the Mining Commissioner	Special Promotion Officer
Registrar, Ontario Labour Relations Board	Special Services Inspector
Registrar, Ontario Securities Commission	Special Services Officer
Registrar, Provincial Institutes of Trades	Specification Editor 1
Registrar, Supreme Court of Ontario	Specification Editor 2
Registrar of Collection Agencies	Specification Editor 3
Registrar of Insurance Brokers and Agents	Speech Therapist
Registrar of Motor Vehicles	Staff Inspector, Ontario Provincial Police
Registrar of Real Estate and Business Brokers	Staff Sergeant, Ontario Provincial Police
Registrar of Trade Schools	Statistician 1
Rehabilitation Counsellor	Statistician 2
Rehabilitation Officer 1, Department of Health	Statistician 3
Rehabilitation Officer 2, Department of Health	Statistician 4
Rehabilitation Officer 3, Department of Health	Student Counsellor, Federated Colleges
Rehabilitation Officer 4, Department of Health	Sub-Inspector, Ontario Provincial Police
Rehabilitation Officer 1, Reform Institutions	Sulphur Fumes Arbitrator
Rehabilitation Officer 2, Reform Institutions	Superintendent, Business Administration, Department of Education
Rehabilitation Officer 3, Reform Institutions	Superintendent, Demonstration Farm
	Superintendent, Department of Education

Superintendent 1, Department of Reform Institutions
 Superintendent 2, Department of Reform Institutions
 Superintendent 3, Department of Reform Institutions
 Superintendent 4, Department of Reform Institutions
 Superintendent 5, Department of Reform Institutions
 Superintendent, Ontario School for the Blind, Ontario
 School for the Deaf
 Superintendent of Engineering Audits
 Superintendent of Equipment
 Superintendent of Insurance
 Superintendent of Pensions, Pension Commission of
 Ontario
 Superintendent of Supply
 Superintendent of Telephone Services
 Supervising Farm Products Inspector
 Supervising Inspector, Energy Resources (Inspection
 Services)
 Supervising Property Valuator
 Supervising Psychologist, Department of Reform
 Institutions
 Supervising Teacher
 Supervisor of Construction Machinery and Safety
 Program
 Supervisor of Education and Psychology, O.H.S.,
 Orillia
 Supervisor of Electrical Devices
 Supervisor of Electrical Services
 Supervisor of Laboratories
 Supervisor of Location Drafting
 Supervisor of Mechanical Services
 Supervisor of Municipal Finance
 Supervisor of Nursing 1
 Supervisor of Nursing 2
 Supervisor of Racing
 Supervisor of Rehabilitation Training
 Supervisor of Staff Training
 Supervisor, Data Processing, Department of Civil
 Service
 Supervisor, Data Processing, Registrar-General
 Supervisor, Editorial Section
 Supervisor, Homemaking Services and Nursing Home
 Inspection
 Supervisor, Municipal Assessment (Probationary)
 Supervisor 1, Municipal Assessment
 Supervisor 2, Municipal Assessment
 Supervisor 3, Municipal Assessment
 Supervisor, Municipal Organization and Administra-
 tion, Trainee
 Supervisor 1, Municipal Organization and Administra-
 tion
 Supervisor 2, Municipal Organization and Administra-
 tion
 Supervisor 3, Municipal Organization and Administra-
 tion
 Supreme Court Reporter
 Survey Technician 6
 Surveyor
 Surveyor-General
 Systems and Procedures Officer 1
 Systems and Procedures Officer 2

 Tax Administrator 1
 Tax Administrator 2
 Tax Administrator 3
 Tax Administrator 4
 Tax Auditor 3
 Teacher 1
 Teacher 2
 Teacher 3
 Teacher 4
 Technical Adviser
 Technical Consultant
 Technological and Trades Training Inspector
 Toll Supervisor
 Tourist Industry Officer 1
 Tourist Industry Officer 2
 Tourist Industry Officer 3
 Tourist Industry Officer 4
 Tourist Industry Officer 5
 Transport Despatcher
 Treasury Board Analyst 1
 Treasury Board Analyst 2
 Treasury Board Analyst 3

Veterinarian 1
 Veterinarian 2
 Veterinarian 3
 Vice-Chairman, Ontario Highway Transport Board
 Vice-Chairman, Ontario Labour Relations Board
 Vice-Chairman, Ontario Municipal Board
 Vice-Principal, Provincial Institutes of Trades
 Vice-Principal, Teachers' College
 Vocational Teacher 1, Ontario School for the Blind,
 Ontario School for the Deaf
 Vocational Teacher 2, Ontario School for the Blind,
 Ontario School for the Deaf
 Vocational Teacher 3, Ontario School for the Blind,
 Ontario School for the Deaf
 Vocational Teacher 4, Ontario School for the Blind,
 Ontario School for the Deaf
 Vocational Training Specialist

 Welfare Allowances Officer
 Welfare Allowances Supervisor
 Welfare Field Worker (Probationary)
 Welfare Field Worker 1
 Welfare Field Worker 2
 Welfare Field Supervisor
 Welfare Institutions Supervisor

 X-Ray Unit Senior Supervisor

Schedule 7

Accountant 1
 Accountant 2
 Accounting Machine Operator
 Accounting Machine Supervisor
 Activity Therapy Attendant
 Airframe Finisher
 Animal Attendant 1
 Animal Attendant 2
 Audit Clerk 1
 Audit Clerk 2

 Baker 1
 Baker 2
 Barber
 Blacksmith
 Bookbinder 1
 Bookbinder 2
 Buildings Caretaker 1
 Buildings Caretaker 2
 Buildings Cleaner 1
 Buildings Cleaner and Helper 1
 Bush Foreman
 Butcher 1
 Butcher 2

 Canteen Operator 1
 Canteen Operator 2
 Carpenter
 Cartographer 1
 Cartographer 2
 Child Care Assistant 1
 Child Care Assistant 2
 Child Care Worker 1
 Child Care Worker 2
 Child Care Worker 3
 Clerical Stenographer 1
 Clerical Stenographer 2
 Clerical Stenographer 3
 Clerical Stenographer 4
 Clerical Typist 1
 Clerical Typist 2
 Clerical Typist 3
 Clerical Typist 4
 Clerk 1, Filing
 Clerk 2, Filing
 Clerk 3, Filing
 Clerk 1, General
 Clerk 2, General
 Clerk 3, General
 Clerk 4, General
 Clerk 1, Mail and Messenger
 Clerk 2, Mail and Messenger
 Clerk 1, Postal Service
 Clerk 2, Postal Service

Clerk 3, Postal Service
 Clerk 1, Supply
 Clerk 2, Supply
 Clerk 3, Supply
 Compositor
 Computer Technician, Trainee
 Computer Technician 1
 Computer Technician 2
 Cook 1
 Cook 2
 Cook 3
 Custodial Officer 1
 Custodial Officer 2
 Custodial Officer 3
 Custodial Officer 4

Dental Assistant
 Dental Hygienist
 Dental Technician
 Dispensary Assistant
 Document Examiner, Trainee
 Draftsman 1
 Draftsman 2
 Draftsman, Tracer
 Driver 1
 Driver 2

E. E. G. Technician 1
 E. E. G. Technician 2
 Electrician
 Electronics Repairman
 Electronics Technician
 Elevator Attendant
 Equipment Spray Painter

Farm Hand 1
 Farm Hand 2
 Fireman

Garage Attendant
 Gardener 1
 Gardener 2

Hairdresser 1
 Hairdresser 2
 Helper, Food Service
 Herdsman 1
 Herdsman 2
 Highway Equipment Operator 1
 Highway Equipment Operator 2
 Highway Equipment Operator 3
 Highway Equipment Operator 4
 Highway Labour Foreman
 Hospital Aid 1
 Hospital Aid 2
 Hospital Aid 3
 Hospital Attendant 1
 Hospital Attendant 2
 Hospital Attendant 3
 Housekeeper 1
 Housekeeper 2
 Houseman

Industrial Officer 1
 Industrial Officer 2
 Instrument Repairman 1
 Instrument Repairman 2

Junior Commercial Artist
 Junior Draftsman

Laboratory Assistant
 Laboratory Attendant 1
 Laboratory Attendant 2
 Laboratory Technician 1
 Laboratory Technician 2
 Labourer
 Landscape Crewman
 Laundress 1
 Laundress 2
 Laundry Worker 1
 Laundry Worker 2
 Laundry Worker 3
 Library Assistant 1

Library Assistant 2
 Lineman
 Linotype Operator

Maid 1, Food Service
 Maid 2, Food Service
 Maintenance Bricklayer
 Maintenance Carpenter
 Maintenance Electrician
 Maintenance Machinist
 Maintenance Mason
 Maintenance Mechanic, Helper
 Maintenance Mechanic, Improver
 Maintenance Mechanic, Journeyman
 Maintenance Painter and Decorator
 Maintenance Plasterer
 Maintenance Plumber
 Maintenance Refrigeration Mechanic
 Maintenance Sheet Metal Worker
 Maintenance Steamfitter
 Maintenance Welder
 Matron 1
 Matron 2
 Mechanic 1
 Mechanic 2
 Motor Vehicle Operator

Nurse 1, Clinic
 Nurse 2, Clinic
 Nurse 1, General
 Nurse 2, General
 Nurse 1, Nursing Education
 Nurse 2, Nursing Education

Occupational Therapy Assistant
 Operator 1, Addressing Equipment
 Operator 2, Addressing Equipment
 Operator 1, Bindery Equipment
 Operator 2, Bindery Equipment
 Operator 1, Bookkeeping Machine
 Operator 2, Bookkeeping Machine
 Operator 1, Central Switchboard
 Operator 2, Central Switchboard
 Operator, Comptometer
 Operator, Copy Machine
 Operator 1, Electronic Computer
 Operator 2, Electronic Computer
 Operator 1, Key Punch Equipment
 Operator 2, Key Punch Equipment
 Operator, Mail Inserting Machine
 Operator 1, Microfilm
 Operator 2, Microfilm
 Operator 1, Offset Equipment
 Operator 2, Offset Equipment
 Operator 1, Tabulating Equipment
 Operator 2, Tabulating Equipment
 Operator 1, Telephone Switchboard
 Operator 2, Telephone Switchboard
 Operator 1, Teletype Equipment
 Operator 2, Teletype Equipment
 Operator 1, Whiteprint Equipment
 Operator 2, Whiteprint Equipment

Parking Attendant
 Pasteurizer
 Photogrammetrist, Trainee
 Photogrammetrist 1
 Photogrammetrist 2
 Photo-Mechanical Technician 1
 Photo-Mechanical Technician 2
 Physical Instructor
 Platemaker 1
 Platemaker 2
 Poultryman 1
 Poultryman 2
 Pressman
 Printing Estimator

Radiation Technician
 Radio and T.V. Repairman
 Radio Dispatcher (Civilian) Ontario Provincial Police
 Radio Operator 1 (Without Certificate)
 Radio Operator 2 (With Certificate)
 Radio Telephone Operator

Residence Supervisor 1
Residence Supervisor 2

School Aid, Ontario Hospital
Seamstress 1
Seamstress 2
Secretary 1
Secretary 2
Secretary 3
Secretary 4
Senior Usher and Messenger
Shoe Repairer
Sign Painter, Helper
Sign Painter, Improver
Sign Painter, Journeyman
Stationary Engineer 1
Stationary Engineer 2
Stationary Engineer 3
Stationary Engineer 4
Stationary Engineer 5
Stenographic Reporter
Stereoplotter 1
Stereoplotter 2

Tailor
Teamster
Technician 1, Photographic
Technician 2, Photographic
Toll Captain 1
Toll Captain 2
Toll Collector
Trade Instructor 1
Trade Instructor 2
Trade Instructor 3
Traffic Devices Designer
Traffic Patrolman 1, Department of Highways
Traffic Patrolman 2, Department of Highways
Training School Supervisor 1
Training School Supervisor 2
Training School Supervisor 3
Training School Supervisor 4
Transport Driver
Travel Counsellor
Typist 1
Typist 2
Typist 3
Typist 4

Upholstery Repairer
Usher and Messenger

Watchman

X-Ray Technician 1
X-Ray Technician 2
X-Ray Technician, Apprentice
X-Ray Unit Operator 1
X-Ray Unit Operator 2

CIVIL SERVICE COMMISSION:

D. J. COLLINS,
Chairman.

Dated at Toronto, this 10th day of December, 1964

(1726)

2

THE GENERAL WELFARE ASSISTANCE ACT

O. Reg. 338/64.

General.

Made—December 17th, 1964.

Filed—December 21st, 1964.

REGULATION MADE UNDER THE GENERAL WELFARE ASSISTANCE ACT

1. Section 27 of Regulation 207 of Revised Regulations of Ontario, 1960 is revoked and the following substituted therefor:

NURSING HOME CARE

27.—(1) In this section,

- (a) "municipality" means a county, city, separated town, village, township or improvement district;
- (b) "nursing home" means a nursing home that,
- (i) is operated as a business, and
- (ii) cares for three or more residents who are unrelated to the proprietor;
- (c) "nursing services" means nursing services provided to residents by or under the supervision of a registered nurse, and includes the planning and executing of nursing care in accordance with the orders, instructions and prescriptions of a physician;
- (d) "physician" means a duly qualified medical practitioner;
- (e) "proprietor" means the person who has been granted a license to operate a nursing home under a by-law passed by the council of the municipality in which the nursing home is situated;
- (f) "provincial supervisor" means a regional welfare administrator or any other employee of the Department of Public Welfare whom the Minister designates as provincial supervisor for the purposes of this section;
- (g) "registered nurse" means a registered nurse within the meaning of *The Nurses Act, 1961-62*;
- (h) "registered nursing assistant" means a registered nursing assistant within the meaning of *The Nurses Act, 1961-62*, and includes a certified nursing assistant who is registered as a nursing assistant under that Act;
- (i) "resident" means a resident of a nursing home;
- (j) "sheltered care" means board and lodging and personal care provided to residents by or under the supervision of a registered nurse or a registered nursing assistant, and includes,
- (i) such procedures as assisting residents with meals, dressing, movement and bathing,
- (ii) assistance with other personal needs, and
- (iii) the planning and executing of services designed for the general health and well-being of residents.

(2) Where a municipal welfare administrator grants and the municipality pays an allowance for a person who,

- (a) is in needy circumstances;
- (b) requires sheltered care as certified in writing by a physician;

- (c) is a resident of a nursing home that provides sheltered care for the person and is licensed by the municipality for that purpose and is governed by a municipal by-law containing the minimum requirements set out in subsection 3,

Ontario shall pay to the municipality 80 per cent of the amount that is granted, or \$115 a month, whichever is the lesser.

- (3) The minimum requirements that shall be contained in a by-law applying to a nursing home providing sheltered care shall, for the purposes of a contribution by Ontario under subsection 2, require that,

- (a) the nursing home is inspected at least once every three months by,
- (i) an officer authorized to inspect buildings under *The Fire Marshals Act*, and
 - (ii) the local medical officer of health;
- (b) officers authorized to inspect buildings under *The Fire Marshals Act*, the local medical officer of health, any employee of the municipality required to administer or enforce the provisions of the by-law and provincial supervisors are given access at any time to the nursing home or any part thereof for the purposes of inspection;
- (c) the nursing home complies with any laws affecting the health of the inhabitants of the municipality in which the nursing home is located;
- (d) the nursing home complies with any rules or regulations of the local board of health,

and shall require the proprietor to ensure that,

- (e) written records are maintained in the nursing home of the inspections carried out under clause a and of the recommendations made pursuant to such inspections;
- (f) all fire hazards in the nursing home are eliminated and that the recommendations of an officer authorized to inspect buildings under *The Fire Marshals Act* are carried out;
- (g) all health hazards in the nursing home are eliminated and that the recommendations of the local medical officer of health are carried out;
- (h) there is adequate protection from radiators or other heating equipment;
- (i) the water supplies are adequate for all normal needs including those of fire protection;
- (j) there are at least two separate and unobstructed means of egress to the outside from floors with sleeping accommodation;
- (k) no matches, other than safety matches, are available to the staff or residents or used by them in or around the nursing home;

- (l) an inspection of the building is made each night to ensure that there is no danger of fire;

- (m) adequate supervision is provided at all times for the security of the residents and the nursing home;

- (n) oxygen is not used or stored in the nursing home in a pressure vessel;

- (o) bed accommodation for residents is in rooms with a minimum of,

- (i) 600 cubic feet of air space and 75 square feet of floor space for each resident sixteen years of age and over, and

- (ii) 400 cubic feet of air space and 50 square feet of floor space for each resident under sixteen years of age,

with the beds so placed that no bed overlaps a window or radiator or is placed in a doorway, and no bed at any point is nearer to any other bed than 2½ feet and that each room used for bed accommodation has at least one window that opens directly to the outside air, is equivalent in size to not less than 10 per cent of the floor space of the room and is capable of being opened or closed at all times;

- (p) no lobby, hallway, closet, bathroom, cellar, stairway or kitchen is used for bed accommodation at any time;

- (q) toilet and bathing facilities are readily accessible to all residents with a minimum of one wash basin and one flush toilet for every five residents and one bathtub or shower for every twelve residents;

- (r) a minimum temperature of 72° F. is maintained in the nursing home during the period from the 1st day of October to the 31st day of May;

- (s) adequate dietary standards are maintained in the nursing home and that nourishing meals are provided at regular and reasonable intervals and are prepared by or under the supervision of a competent person;

- (t) books of account and adequate records relating to residents and staff are maintained in the nursing home;

- (u) no person is admitted to or retained as a resident in the nursing home,

- (i) who is a maternity case,

- (ii) who is mentally ill or mentally defective within the meaning of *The Mental Hospitals Act* and eligible for admission to an institution under that Act.

- (iii) for whom a physician recommends treatment for alcoholism or drug addiction, or

- (iv) for whom a physician recommends medical care or treatment in a hospital;

- (v) a sufficient number of staff in relation to the number of residents cared for is on duty in the nursing home at all times;
 - (w) each member of staff is of suitable age, physically fit and qualified to undertake his duties in the nursing home and certified by a physician to be free from active tuberculosis or other communicable or contagious disease;
 - (x) where a resident dies in the nursing home, notice of the death is given to a coroner other than a coroner who has attended the deceased resident as a physician;
 - (y) sheltered care is provided by or under the supervision of a registered nurse or a registered nursing assistant; and
 - (z) medical care and attention is made available to the residents.
- (4) Where a municipal welfare administrator grants and the municipality pays an allowance for a person who,
- (a) is in needy circumstances;
 - (b) requires nursing services as certified in writing by a physician, and
 - (c) is a resident of a nursing home that provides nursing services to the person, is licensed by the municipality for that purpose and is governed by a municipal by-law containing the minimum requirements set out in subsections 3 and 5,
- Ontario shall pay to the municipality 80 per cent of the amount that is granted, or \$140 a month, whichever is the lesser.
- (5) The minimum requirements that shall be contained in a by-law applying to a nursing home providing nursing services shall, for the purposes of a contribution by Ontario under subsection 4 and in addition to the requirements set out in subsection 3, require that,
- (a) nursing services are provided to residents by a registered nurse or a registered nursing assistant under the supervision of a registered nurse;
 - (b) in a nursing home having less than fifty beds, a registered nurse or a registered nursing assistant is on duty in the nursing home at all times;
 - (c) in a nursing home having fifty beds or more, a registered nurse is on duty in the nursing home at all times;
 - (d) where nursing services are provided to residents by a registered nursing assistant, adequate arrangements are made so that a registered nurse is on duty in the nursing home for a period of not less than eight hours each week to supervise the nursing services of the registered nursing assistant and to assess and review the individual nursing care of each resident at least once each week;

- (e) each resident is or has been admitted to the nursing home on the recommendation of a physician and, while a resident therein, is under the continuing care and supervision of a physician; and
 - (f) adequate arrangements are made so that a physician is available at all times to provide medical care and attention, emergency or otherwise, as may be required from time to time by any resident.
- (6) Where a person in respect of whom a contribution is made under subsections 2 or 4 is a recipient of a governmental benefit, the allowance computed for the purpose of subsection 2 or 4, as the case may be, shall be reduced by the amount of the governmental benefit less 15 per cent of that benefit.
- (7) No payment shall be made by Ontario to a municipality under subsection 2 or 4 unless the Director is satisfied that the nursing home is in compliance with the requirements of the municipal by-law under which it is licensed.
- (8) For the purposes of subsection 7, the Director may require the inspection of the nursing home by a provincial supervisor.

2. Item 2 of the Medical Certificate indorsed on Form 6 of Regulation 207 of Revised Regulations of Ontario, 1960 is revoked and the following substituted therefor:

2. PLACEMENT:

In my opinion, this person requires (see Note):

- (a) sheltered care... Yes No
- (b) nursing services. Yes No

for an estimated period of,

..... weeks; months;

indefinite.

NOTE:

1. "Sheltered care" means board and lodging and personal care provided to residents by or under the supervision of a registered nurse or a registered nursing assistant, and includes,
 - (i) such procedures as assisting residents with meals, dressing, movement and bathing,
 - (ii) assistance with other personal needs, and
 - (iii) the planning and executing of services designed for the general health and well-being of residents.
2. "Nursing services" means nursing services provided to residents by or under the supervision of a registered nurse, and includes the planning and executing of nursing care in accordance with the orders, instructions and prescriptions of a physician.

(1727)

2

THE PROVINCIAL LAND TAX ACT, 1961-62

O. Reg. 339/64.
General.
Made—December 17th, 1964.
Filed—December 21, 1964.

REGULATION MADE UNDER
THE PROVINCIAL LAND TAX ACT, 1961-62

1. Ontario Regulation 343/62, as amended by Ontario Regulations 233/63 and 162/64, is further amended by adding thereto the following section:

5. A form of return under subsection 3 of section 9 of the Act shall be in Form 3.

2. Ontario Regulation 343/62, as amended by Ontario Regulations 233/63 and 162/64, is further amended by adding thereto the following Form:

Form 3

The Provincial Land Tax Act, 1961-62

RETURN BY OWNER OF ASSESSMENT INFORMATION

Name.....

Address.....

Description of land.....

Date of mailing by Department.....

Area:

Present Assessment of land \$
of buildings \$

This Assessment is satisfactory [] is not satisfactory []

Remarks : (If exemption claimed, state reasons fully)

.....
.....
.....
.....

THE ACT REQUIRES THAT THIS FORM BE
COMPLETED AND RETURNED
WITHIN THIRTY DAYS
To : Department of Lands and Forests,
Parliament Buildings (Room 2423),
TORONTO, Ontario.

Please check appropriate statement below:

- 1. I am the OWNER [], LESSEE [], LICENSEE [] of the lands described above.
2. The value of the land and buildings has [] has not [] changed.
3. The land is used for RESIDENCE [], SUMMER RESORT [], BUSINESS [],
TIMBER OR WOODLOT [], NOT USED [], OTHER USE [] (specify):

.....
.....
.....

4. The following buildings and improvements are on the land:
(Use reverse side of form if necessary)

Property (lot, concession, plan, etc.)	Type (house, cottage, store, etc.)	No. of Storeys	Construction (frame, brick, etc.)	Year Erected	Length	Width	Estimated Market Value

5. The estimated market value of the land excluding buildings and improvements is \$.....

6. In addition to the above land, I am the OWNER , LESSEE , LICENSEE

of the following lands situate in Ontario and outside an improvement district or municipality.
(Use reverse side of form if necessary.)

Lot, Island or Location No.	Concession or Plan Number	Township	County or District

7. I certify that the information given in this statement is true and complete.

.....
(date)

.....
(signature)

(1228)

2

THE MENTAL HOSPITALS ACT

O. Reg. 340/64.
Residential Units.
Made—October 29th, 1964.
Filed—December 22nd, 1964.

REGULATION MADE UNDER
THE MENTAL HOSPITALS ACT

1. Ontario Regulation 387/61 as amended by Ontario Regulation 92/63 is further amended by adding thereto the following section:

6a. A resident or the person responsible for his maintenance is liable for his maintenance at the rate of \$2 a day.

(1731)

2

THE GASOLINE HANDLING ACT

O. Reg. 341/64.
General.
Made—December 17th, 1964.
Filed—December 23rd, 1964.

REGULATION MADE UNDER
THE GASOLINE HANDLING ACT

1. Subsection 3 of section 65 of Regulation 205 of Revised Regulations of Ontario, 1960 is revoked and the following substituted therefor:

(3) Not more than 20,000 gallons of Class 1 petroleum products shall be stored at a service station other than a service station that has direct access to any part of the King's Highway that is a controlled access highway.

(3a) Not more than 30,000 gallons of Class 1 petroleum products shall be stored at a service station that has direct access to any part of the King's Highway that is a controlled access highway.

(1732)

2

Publications Under The Regulations Act

January 16th, 1965

THE CORPORATIONS ACT

O. Reg. 342/64.

Evidence of *Bona Fides* on Applications.

Made—December 17th, 1964.

Filed—December 23rd, 1964.

REGULATION MADE UNDER THE CORPORATIONS ACT

1. Subsections 2 and 3 of section 4 of Regulation 60 of Revised Regulations of Ontario, 1960 are revoked and the following substituted therefor:

- (2) Where the application is under clause *b* of subsection 1 of section 33 of the Act, the affidavit required by clause *c* of subsection 1 shall set out in addition that, to the best of the deponent's knowledge and belief, the new name is not objectionable on any public grounds and is not the same or similar to the name of any known corporation, association, partnership, individual or business so as to be likely to deceive, except those corporations, associations, partnerships, individuals or businesses who are listed and whose consent in writing is filed.
- (3) Where the application is under clause *b* of subsection 1 of section 33 of the Act, the company shall establish to the satisfaction of the Provincial Secretary that it is solvent.
- (3a) For the purposes of subsection 3, the company shall file,
- (a) a copy of the most recent financial statement of the company together with the auditor's report thereon; and
- (b) such other material as the Provincial Secretary requires.
- (3b) Where the financial statement mentioned in subclause 3a is as of a date that is more than three months prior to the date on which the application is made, the company shall file, in addition, an affidavit by an officer of the company that contains,
- (a) where the financial position of the company has not changed materially from the financial position shown in the financial statement, a statement to that effect; or
- (b) where the financial position of the company has changed materially from the financial position shown in the financial statement, a statement setting out the nature and extent of the change.
- (3c) For the purposes of subsection 3, a company is deemed to be insolvent if its liabilities exceed the realizable value of its assets or if the company is unable to pay its debts as they become due.

2. Subsection 2 of section 5 of Regulation 60 of Revised Regulations of Ontario, 1960 is revoked and the following substituted therefor:

- (2) Where the application is under clause *b* of subsection 1 of section 114 of the Act, the affidavit required by clause *c* of subsection 1 shall set out in addition that, to the best of the deponent's knowledge and belief, the new name is not objectionable on any public grounds and is not the same as or similar to the name of any known corporation, association, partnership, individual or business so as to be likely to deceive, except those corporations, associations, partnerships, individuals or businesses who are listed and whose consent in writing is filed.
- (3) Where the application is under clause *b* of subsection 1 of section 114 of the Act, the corporation shall establish to the satisfaction of the Provincial Secretary that it is solvent.
- (4) For the purposes of subsection 3, the corporation shall file,
- (a) a copy of the most recent financial statement of the corporation together with the auditor's report thereon; and
- (b) such other material as the Provincial Secretary requires.
- (5) Where the financial statement mentioned in subsection 4 is as of a date that is more than three months prior to the date on which the application is made, the corporation shall file, in addition, an affidavit by an officer of the corporation that contains,
- (a) where the financial position of the corporation has not changed materially from the financial position shown in the financial statement, a statement to that effect; or
- (b) where the financial position of the corporation has changed materially from the financial position shown in the financial statement, a statement setting out the nature and extent of the change.
- (6) For the purposes of subsection 3, a corporation is deemed to be insolvent if its liabilities exceed the realizable value of its assets or if the corporation is unable to pay its debts as they become due.

JOHN YAREMKO,
Provincial Secretary
and
Minister of Citizenship.

Dated at Toronto, this 17th day of December, 1964.

(1733)

3

THE GAME AND FISH ACT, 1961-62

O. Reg. 343/64.

Furs.

Made—December 22nd, 1964.

Filed—December 28th, 1964.

REGULATION MADE UNDER
THE GAME AND FISH ACT, 1961-62

FURS

TRAP-LINE LICENCES

1. An application for a trap-line licence or a renewal thereof shall be,

- (a) in Form 1; and
- (b) made not later than the 15th day of October in each year.

2.—(1) A licence to hunt or trap or attempt to trap fur-bearing animals on Crown lands in a trap-line area shall be in Form 2.

(2) The fee for a licence in Form 2 is,

- (a) \$5 for that part of Ontario that is south of the most northerly east-west line of the Canadian National Railways; and
- (b) \$1 for that part of Ontario that is north of that line.

(3) A licence in Form 2 expires with the 31st day of May next following the date on which it is issued.

3.—(1) The holder of a licence in Form 2 has the exclusive right to hunt or trap or attempt to trap fur-bearing animals on Crown lands in the trap-line area described in the licence.

(2) Where the holder of a licence in Form 2 is,

- (a) an owner, or the holder of a written permit for the purpose from the owner, of patented lands; or
- (b) a purchaser or locatee, or the holder of a written permit for the purpose from the purchaser or locatee, under *The Public Lands Act* of land,

within or adjacent to the trap-line area described in the licence, he may hunt or trap or attempt to trap fur-bearing animals on that land.

(3) Notwithstanding subsection 1, where the holder of a licence in Form 2 is an Indian in charge of a trapping group, he may permit other Indians who hold a trapping licence to hunt or trap or attempt to trap with him fur-bearing animals on the trap-line area described in his licence.

(4) The holder of a licence in Form 2 shall not, under the authority of that licence, hunt or trap or attempt to trap on any area other than that described in the licence.

4.—(1) The holder of a licence in Form 2 shall, during the open seasons for hunting or trapping fur-bearing animals, adequately harvest the fur from the trap-line area described in his licence.

(2) The holder of a licence in Form 2 shall, during the open seasons for hunting or trapping fur-bearing animals, and

- (a) for the period of two weeks immediately before the open season; and

- (b) for the period of two weeks immediately after the open season,

supervise the trap-line area described in his licence and keep open the portages and trails necessary for trapping in the area.

5.—(1) Where the holder of a licence in Form 2 is unable temporarily, through illness or other cause, to comply with section 4, he shall,

- (a) notify the district forester; and
- (b) nominate a person to trap on the trap-line area in his stead.

(2) Where the person nominated is approved in writing by the district forester, he shall have all the rights and be subject to the obligations of the licensee until the licensee resumes trapping on his trap-line area.

(3) The licensee referred to in subsection 1 shall notify the district forester when he resumes trapping on his trap-line area.

6.—(1) The holder of a licence in Form 2 may with the written authority of the Minister, nominate a trapper who is the holder of a licence in Form 3 to assist him to hunt or trap fur-bearing animals in the area described in his trap-line licence.

(2) The fee for a licence in Form 3 is \$1.

(3) A licence in Form 3 expires when the holder ceases to assist the licensee who has nominated him, or with the 31st day of May next following the date on which it is issued whichever is earlier.

(4) The holder of a licence in Form 3 shall be subject to all of the obligations of the licensee who has nominated him, but shall not present any pelt for sealing or sale.

7.—(1) An application for the transfer of a trap-line licence shall be in Form 4.

(2) A transfer is subject to the conditions that,

- (a) the transferor dispose of all his interest in the trap-line area; and
- (b) the transferee have no interest in any other trap-line area that is not adjacent to the trap-line area being transferred.

RESIDENT TRAPPER'S LICENCES

8. An application for a licence for a resident to hunt or trap fur-bearing animals shall be in Form 5.

9.—(1) A licence issued for a resident to hunt or trap fur-bearing animals shall be in Form 6.

(2) A licence in Form 6 expires with the 30th day of June next following the date on which it is issued.

(3) The fee for a licence in Form 6 is \$5.

(4) The holder of a licence in Form 6 shall not hunt or trap fur-bearing animals except on the lands described in his licence.

10. The holder of a licence in Form 2 or Form 6 may hunt or trap in the open season not more than the quota of beaver, fisher, lynx or marten shown on his licence.

BEARS

11. The holder of a licence in Form 2 may under the authority of that licence take bears during the open season on the trap-line area described in his licence.

SEALING OF PELTS

12. The pelts of beaver, fisher, lynx, marten, mink and otter shall be sealed by inserting through the eyehole or the nose a numbered seal with the letters "ONT" stamped thereon.

MULTIPLICITY OF LICENCES

- 13.—(1) No person shall hold more than,
- (a) one licence in Form 2; or
 - (b) one licence in Form 6.
- (2) The holder of a licence,
- (a) in Form 2 shall not hold a licence in Form 6; or
 - (b) in Form 6 shall not hold a licence in Form 2.
- (3) Except with the written permission of the Minister, the holder of a licence in Form 10, 11 or 12 shall not be the holder of a licence in Form 2, 6 or 22.
- (4) Except with the written permission of the Minister, the holder of a licence in Form 22 shall not be the holder of a licence in Form 2, 6, 10, 11 or 12.

RETURNS

14.—(1) The holder of a licence in Form 2 or 6 shall make a true annual return in Form 7 and send it to the district forester of the district in which the licence was issued not later than ten days after the licence expires.

(2) Subject to subsection 1, the holder of a licence in Form 2 or Form 6 shall at all times have or keep in his possession Form 7.

(3) A farmer who has trapped on his own lands shall make a true annual return in Form 7.

POSSESSION OF PELTS

15.—(1) No person shall apply for or hold a licence issued under section 56 of the Act for a greater number of pelts than he has in his possession.

(2) A licence issued under section 56 of the Act shall be in Form 8 and expires with the 15th day of October next following the date on which it is issued.

FUR DEALERS AND TRAVELLING FUR BUYERS

16.—(1) An application for a fur dealer's licence shall be in Form 9.

(2) Licences issued to any person to buy, sell or deal in the pelts of fur-bearing animals,

- (a) for a resident on specific premises, to be known as "store licence", shall be in Form 10 and the fee therefor is \$5;
- (b) for a resident to be known as "travelling fur dealer's licence", shall be in Form 11 and the fee therefor is \$25;
- (c) for a non-resident shall be in Form 12 and the fee therefor is \$50; and
- (d) for a person purchasing for personal use, restricted as to time and quantity, to be known as "restricted licence", shall be in Form 13 and the fee therefor is \$1.

(3) A licence in Form 10, 11 or 12 expires with the 30th day of June next following the date on which it is issued.

(4) A licence in Form 13 expires with the 31st day of March next following the date on which it is issued.

17.—(1) The holder of a travelling fur dealer's licence in Form 11 or a non-resident fur dealer's licence in Form 12 may deal directly only with licensed fur dealers or licensed fur farmers in that part of Ontario that is north of the most northerly east-west line of the Canadian National Railways.

(2) The holder of a licence in Form 11 or 12 shall not deal directly with licensed trappers in that part of Ontario specified in subsection 1.

18.—(1) A fur dealer's store licence shall be kept on the premises designated in the licence.

(2) A travelling fur dealer shall keep the licence on his person.

19.—(1) The holder of a licence in Form 10, 11 or 12 shall record in triplicate,

- (a) the purchase or receipts of pelts on Form 14 at the time of each purchase or receipt; and
- (b) the sale or disposal of pelts on Form 15 at the time of each sale or disposal.

(2) Books supplied by the Department containing Forms 14 and 15 shall be,

- (a) retained on the premises designated on the licence by the holder of a licence in Form 10;
- (b) carried by the holder of a licence in Form 11 or 12 when purchasing or selling pelts; and
- (c) retained by the licensee for not less than two years after the licence expires.

20.—(1) The holder of a licence in Form 10 or 11 shall,

- (a) on or before the 10th day of every month send the original of Forms 14 and 15 for the preceding month to the Department at Toronto by registered mail;
- (b) on or before the 10th day of every month send by registered mail the duplicate original of Forms 14 and 15 for the preceding month to the district forester of the district in which the premises designated on the licence are situated or in which the licensee resides; and
- (c) retain the triplicate original intact in the book in which Forms 14 and 15 are supplied.

(2) The holder of a licence in Form 12 shall comply with subsection 1 of clause b, and he shall send the duplicate originals of Forms 14 and 15 to the Department at Toronto by registered mail.

(3) The triplicate original shall be available for inspection by an officer.

(4) Where a licensee does not receive or dispose of pelts in any month, he shall so report in his returns to the Department.

(5) Where a licensee is unable to make a return on or before the 10th day of any month, he shall make application to the district forester for an extension of time, which may be granted by the Minister in writing.

TANNER'S LICENCE

21.—(1) A licence issued to any person engaged in the business of tanning, plucking or treating pelts shall be in Form 16.

(2) A licence in Form 16 expires with the 31st day of December in the year in which it is issued.

(3) The fee for a licence in Form 16 is \$10.

22.—(1) On the first day of each month the holder of a licence in Form 16 shall make a return in Form 17 for the preceding month and send it by registered mail to the Department at Toronto.

(2) When in any month a licensee has not tanned, plucked or treated pelts, he shall so report in his return.

23.—(1) The holder of a licence in Form 16 shall keep a book and record therein the names and addresses of persons from whom he has received pelts, the dates the pelts were received and a description thereof.

(2) The book shall be,

(a) available for inspection by officers; and

(b) retained by the licensee for at least one year after the licence expires.

24.—(1) The holder of a licence in Form 16 shall report in Form 18 to the Department at Toronto pelts received without being accompanied by a licence in Form 19.

(2) A licence issued under subsection 2 of section 61 of the Act shall be in Form 19.

(3) A licence in Form 19 expires ninety days after the date of issue and shall be mailed to the Department at Toronto by the tanner accepting the pelts upon completion of the tanning, plucking or treating of the pelts.

EXPORT OF FUR-BEARING ANIMALS OR THEIR PELTS

25.—(1) Subject to subsection 1 of section 33 a licence to take or ship a fur-bearing animal or its pelt to a point outside Ontario shall be in Form 20.

(2) A licence in Form 20 expires thirty days after the date on which it is issued.

(3) It is a condition of a licence in Form 20 that the name and address of the carrier be shown on the licence.

(4) A licence in Form 20 shall be attached to the,

(a) freight or express way-bill covering the shipment, if made by a common carrier; or

(b) to the parcel containing the pelts, if shipment is made by any other means.

(5) A licence in Form 20 is valid for one shipment of furs only.

ROYALTIES

26. The royalties for taking or shipping to a point outside Ontario any fur-bearing animal or its pelt or sending or having sent any fur-bearing animal or its pelt to a tanner or taxidermist to be tanned, plucked or treated in any way are as follows:

1. Beaver.....	\$1.00
2. Fisher.....	1.00
3. Fox (white).....	.75
4. Lynx.....	.15
5. Marten.....	.50
6. Mink.....	1.00
7. Muskrat.....	.05
8. Otter.....	1.25
9. Weasel (ermine).....	.05
10. Wolverine.....	.40

FUR FARMER'S LICENCE

27.—(1) An application for a fur farmer's licence shall be in Form 21.

(2) A licence to propagate a fur-bearing animal, or to possess a fur-bearing animal for that purpose shall be in Form 22 and the fee therefor is \$10 for each fifty acres or fraction thereof covered by the licence.

(3) A licence in Form 22 is valid only for the species covered by the licence.

(4) A licence in Form 22 expires with the 31st day of December of the year in which it is issued.

(5) Where,

(a) a licence expires; or

(b) fur-farming operations are discontinued by the licensee,

the licensee shall within ten days complete a true report of his operations in Form 23 and send it by registered mail to the Department at Toronto.

28.—(1) The holder of a licence in Form 22 shall keep books and record therein such details of his operations under the licence as are required to complete the report in Form 23.

(2) The books shall be available for inspection by officers.

29. The holder of a licence in Form 22 shall keep the premises covered by the licence in a sanitary condition.

30. No fur-bearing animal shall be kept on the premises covered by a licence in Form 22 in a manner that will inflict unnecessary cruelty.

31.—(1) Fur-bearing animals propagated or possessed under a licence in Form 22 shall not be removed from the premises covered by the licence to any point in Ontario except under a transportation licence in Form 24.

(2) A licence in Form 24 expires seven days after the date on which it is issued.

32. A licence in Form 22 is valid only for keeping fur-bearing animals in pens unless the premises covered by the licence are enclosed by a fence constructed in a manner that will prevent the animals from escaping and other animals from gaining entry.

33. (1) A licence issued under subsection 1 of section 61 of the Act for the holder of a licence in Form 22 shall be in Form 25.

(2) A licence in Form 25 expires with the seventh day after the date on which it is issued.

34. Regulation 190 of Revised Regulations of Ontario, 1960 is revoked.

Form 1

The Game and Fish Act, 1961-62

APPLICATION FOR A TRAP-LINE LICENCE

19....

Identification

- Age
- Height
- Weight
- Colour of hair
- Colour of eyes

Under *The Game and Fish Act, 1961-62* and the regulations, and subject to the limitations thereof,

I,
 (name in full, surname preceding)
 of
 (post office address)

being a resident of Ontario, make application for a
 (renewal of)

Trap-line licence on trap-line area No.

My trap-line licence for last year was No.

There are now occupied beaver houses
 on the area, located as shown on the plan which is a
 part of this application.

I have trapped on this area days during
 the past open season for trapping fur-bearing animals.

I certify that the information in this application is
 true.

Dated at this day of, 19....

.....
 (signature of applicant)

Recommended:

.....
 (conservation officer)

Form 2

The Game and Fish Act, 1961-62

TRAP-LINE LICENCE

19....

Quota of

Beaver Licence No.

Fisher Licence Fee.

Lynx Identification

Marten
 Age
 Height
 Weight
 Colour of hair
 Colour of eyes

Under *The Game and Fish Act, 1961-62* and the
 regulations, and subject to the limitations thereof, this
 licence is granted to.....
 (name in full, surname preceding)

of.....
 (post office address)

to hunt or trap fur-bearing animals on Crown lands in
 trap-line area No. and on patented or located
 lands within or adjacent to this trap-line area with the
 written permission of the owner or locatee.

This licence expires with the 31st day of May, 19...

.....
 (issuer)

.....
 (date) (signature of licensee)

Form 3

The Game and Fish Act, 1961-62

HELPER'S TRAPPING LICENCE

19....

Licence Fee \$1

Identification

Age
 Height
 Weight
 Colour of hair
 Colour of eyes

Under *The Game and Fish Act, 1961-62* and the
 regulations, and subject to the limitations thereof, this

licence is granted to.....

of.....

to assist.....

of.....

the holder of trap-line licence No., to hunt or
 trap fur-bearing animals during the open season on

trap-line area No., for the current trapping
 season.

This licence does not permit the licensee to present
 pelts of fur-bearing animals for sealing or sale.

This licence expires when the holder of trap-line
 licence No. gives notice to the licensee, or
 with the 31st day of May, 19....

.....
 (issuer)

.....
 (date) (signature of licensee)

Form 4

The Game and Fish Act, 1961-62

**APPLICATION FOR TRANSFER OF
 A TRAP-LINE LICENCE**

19....

The licensee, as vendor, requests that trap-line
 licence No. now in the name of.....
 be transferred to..... as purchaser.

.....
 (date) (signature of licensee)

The undersigned applies for the transfer of the
 above-numbered trap-line licence and in support of this
 application gives the following information:

1. Name of applicant.....
 (please print)

2. Address.....

3. Are you a resident of Ontario?.....

4. Are you at present the holder of a trap-line licence?

- 5. Do you hold any interest in any other trap-line area?.....
- 6. Are you acquiring all the interest of the licensee in the trap-line area?.....
- 7. Amount of consideration paid by you? \$.....
- 8. List type and pieces of equipment and number of cabins in the trap-line area.....
- 9. Is the consideration in your opinion a fair and just one for the trap-line area in its present state?.....

Dated at.....this.....day of.....19...

 (signature of applicant)

Approved:

 (district forester)

at.....

Form 5

The Game and Fish Act, 1961-62

APPLICATION FOR A RESIDENT TRAPPER'S LICENCE

19....

Under *The Game and Fish Act, 1961-62* and the regulations, and subject to the limitations thereof,

I,.....
 (print full name, surname preceding)

of.....
 (post office address)

being a resident of Ontario, make application for a resident trapper's licence to hunt or trap on the area described as follows:

Lot(s)..... of Concession(s).....

of the Township of.....
 in the County (Territorial District) of.....

and in support of this application I submit the following particulars of identification:

Age
 Height
 Weight
 Colour of hair
 Colour of eyes

Dated at.....this.....day of....., 19....

.....
 (signature of applicant)

Recommended:

.....
 (conservation officer)

Form 6

The Game and Fish Act, 1961-62

RESIDENT TRAPPER'S LICENCE

19....

Quota of

Beaver..... Licence No.....

Fisher..... Licence Fee.....

Lynx..... Identification

Marten.....
 Age
 Height
 Weight
 Colour of hair
 Colour of eyes

Under *The Game and Fish Act, 1961-62* and the regulations, and subject to the limitations thereof, this

licence is granted to
 (name in full, surname preceding)

of.....
 (post office address)

to hunt or trap fur-bearing animals during the open season in the parts of Ontario described as follows:

Lot(s)..... of Concession(s).....

of the Township(s) of.....

in the County or District of.....

but excepting therefrom privately owned land on which the licensee does not have written permission to trap from the owner.

This licence expires with the 31st day of May, 19...

.....
 (issuer)

.....
 (date)

.....
 (signature of licensee)

Form 7

The Game and Fish Act, 1961-62

TRAPPERS' RETURNS OF FUR-BEARING ANIMALS AND PELTS

To be made within ten days of the date of expiry of his licence.

Date	TO WHOM DISPOSED		Beaver	Bear	Bobcat	Fisher	Fox (Arctic)	Fox (coloured)	Lynx	Marten	Mink	Muskrat	Otter	Raccoon	Skunk	Squirrel	Weasel	Wolverine
	Name	Address																
	No. of Pelts on Hand																	
	Total																	

Name.....
 Address.....
 Licence No.....
 Trap Line Area No.....

I certify that this return is true.

 (signature of licensee)

 (date)

Form 8

The Game and Fish Act, 1961-62

LICENCE TO POSSESS PELTS

19....

Licence No.....

Under *The Game and Fish Act, 1961-62* and the regulations, and subject to the limitations thereof, this licence is granted to.....
 of.....
 the holder of..... licence No..... to possess the following pelts on premises located at
 during the closed season.

Ontario Pelts	Pelts other than Ontario Pelts

This licence expires with the 15th day of October, 19....

 (issuer)

 (date) (signature of licensee)

Form 9

The Game and Fish Act, 1961-62

APPLICATION FOR A FUR DEALER'S LICENCE

19....

Under *The Game and Fish Act, 1961-62* and the regulations, and subject to the limitations thereof,

I,.....
of.....

- being a resident
 non-resident

of Ontario, make application for a

- Resident Fur Dealer's Store Licence
 Resident Travelling Fur Dealer's Licence
 Non-resident Fur Dealer's Licence

and I submit the following particulars of personal identification in connection therewith:

(not applicable for a resident fur dealer's store licence)

- Age
Height
Weight
Colour of hair
Colour of eyes

If application is for a resident fur dealer's store licence, complete the following:

Name of store.....
Street and number.....
City, Town, Village, Post or Outpost.....
Lot..... Concession..... Township.....
County or Territorial District.....

(A resident fur dealer's store licence, if granted, will be valid only for the specific premises named above).

Are you the holder of a trapper's licence in Form 2 or 6 or a fur farmer's licence in Form 22? Yes No

If yes, state type and number

I, (We) had the following quantities of raw or un-dressed pelts in my (our) possession on July 1st, last:

Ontario Pelts	Number	Other than Ontario Pelts	Number
Beaver			
Fisher			
Fox (cross)			
Fox (red)			
Fox (silver, black, blue)			
Fox (white)			
Lynx			
Marten			
Mink			
Muskrat			
Otter			
Raccoon			
Skunk			
Weasel			
Wolverine			

I, (We) certify the above statements to be true and correct.

.....
(signature of applicant)

.....
(name of firm)

.....
(date)

.....
(address)

Form 10

The Game and Fish Act, 1961-62

RESIDENT FUR DEALER'S STORE LICENCE

19....

Licence Fee \$5.00

Licence No.....

Under *The Game and Fish Act, 1961-62* and the regulations, and subject to the limitations thereof, this

licence is granted to.....

of.....

to buy, sell or trade in the pelts of fur-bearing animals

on premises known as.....
during the open season.

This licence expires with the 30th day of June, 19...

.....
(issuer)

.....
(date)

.....
(signature of licensee)

Form 11

The Game and Fish Act, 1961-62

RESIDENT TRAVELLING FUR DEALER'S LICENCE

19....

Licence Fee \$25.00

Licence No.....

Identification

- Age
Height
Weight
Colour of hair
Colour of eyes

Under *The Game and Fish Act, 1961-62* and the regulations, and subject to the limitations thereof, this

licence is granted to.....

of.....

to buy, sell or trade in fur-bearing animals or their pelts during the open season.

This licence expires with the 30th day of June, 19...

.....
(issuer)

.....
(date)

.....
(signature of licensee)

Form 12

The Game and Fish Act, 1961-62

NON-RESIDENT FUR DEALER'S LICENCE

19....

Licence Fee \$50.00

Licence No.....

Identification

- Age
- Height
- Weight
- Colour of hair
- Colour of eyes

Under *The Game and Fish Act, 1961-62* and the regulations, and subject to the limitations thereof, this licence is granted to.....

of.....

to buy, sell or trade in fur-bearing animals or their pelts during the open season.

This licence expires with the 30th day of June, 19...

.....
(issuer)

.....
(date)

.....
(signature of licensee)

Form 13

The Game and Fish Act, 1961-62

FUR BUYER'S RESTRICTED LICENCE

19....

Licence Fee \$1.00

Licence No.....

Under *The Game and Fish Act, 1961-62* and the regulations, and subject to the limitations thereof, this licence is granted to.....

of.....

to purchase for personal use the following pelts:

-
-
-

This licence expires with the 31st day of March, 19..

.....
(issuer)

.....
(date)

.....
(signature of licensee)

Form 14

The Game and Fish Act, 1961-62

FUR DEALER'S RETURN OF PELTS

Purchased or received during the month of....., 19....

LIST ONTARIO PELTS HERE:

Date Purchased or Received	Purchased or Received from		Licence No.			Beaver	Fisher	Fox (cross)	Fox (red)	Fox (silver, black or blue)	Fox (white)	Fox (not specified)	Lynx	Marten	Mink	Muskrat	Otter	Raccoon	Skunk	Weasel (Ermine)	Wolverine
	Name	Address	Dealer	Trapper	Farmer																

LIST OTHER THAN ONTARIO PELTS HERE:

Date Purchased or Received	Purchased or Rctceived from		Place of Origin of Shipment		Beaver	Fisher	Fox (cross)	Fox (red)	Fox (silver, black or blue)	Fox (white)	Fox (not specified)	Lynx	Marten	Mink	Muskrat	Otter	Raccoon	Skunk	Weasel (Ermine)	Wolverine
	Name	Address	Province or State	Shipping Licence No.																

Name..... I certify that this return is true.
 Address..... Date:.....
 Licence No..... (signature of licensee)

NOTE: Where the purchase or receipt is from a farmer, describe by lot, concession and township the land on which he resides in the column provided for "address".

Form 15

The Game and Fish Act, 1961-62

FUR DEALER'S RETURN OF PELTS

Sold or disposed of during the month of....., 19....

LIST ONTARIO PELTS HERE:

Date Sold or Disposed of	To Whom Sold or Disposed		Licence No.			Beaver	Fisher	Fox (cross)	Fox (red)	Fox (silver, black or blue)	Fox (white)	Fox (not specified)	Lynx	Marten	Mink	Muskrat	Otter	Raccoon	Skunk	Weasel (Ermine)	Wolverine
	Name	Address	Tanning	Export	Dealer																
			TOTAL																		
			Stock on hand:																		
			Date:																		

LIST OTHER THAN ONTARIO PELTS HERE:

Date Sold or Disposed of	To Whom Sold or Disposed		Licence No.			Beaver	Fisher	Fox (cross)	Fox (red)	Fox (silver, black or blue)	Fox (white)	Fox (not specified)	Lynx	Marten	Mink	Muskrat	Otter	Raccoon	Skunk	Weasel (Ermine)	Wolverine
	Name	Address	Tanning	Export	Dealer																
			TOTAL																		
			Stock on hand:																		
			Date:																		

Name..... I certify that this return is true.
 Address..... Date:.....
 Licence No..... (signature of licensee)

Form 16

The Game and Fish Act, 1961-62

TANNER'S LICENCE

19....

Licence Fee \$10.00 Licence No.....

Under *The Game and Fish Act, 1961-62* and the regulations, and subject to the limitations thereof, this licence is granted to.....
of.....

to engage in tanning, plucking or treating pelts of fur-bearing animals.

This licence expires with the 31st day of December,

19....

(issuer)

(date)

(signature of licensee)

Form 17

The Game and Fish Act, 1961-62

TANNER'S RETURN OF PELTS RECEIVED TO BE TREATED

For the month of....., 19....

Date	Received From		Licence No.	Beaver	Fisher	Fox (cross)	Fox (red)	Fox (silver, black or blue)	Fox (white)	Fox (not specified)	Lynx	Marten	Mink	Muskrat	Otter	Raccoon	Skunk	Weasel (Ermine)	Wolverine
	Name	Address																	

Name.....
Address.....
Licence No.....

I certify that this return is true.

Date.....
(signature of licensee)

Form 18

The Game and Fish Act, 1961-62

TANNER'S NOTICE OF PELTS RECEIVED WITHOUT LICENCE

....., 19....

To: The Department of Lands and Forests,
Parliament Buildings,
Toronto, Ontario.

The following pelts were received at this address for the purpose of being tanned, plucked or treated, without a licence in Form 19 accompanying the shipment,
from.....
of.....

Ontario Pelts	Pelts other than Ontario Pelts

(signature of licensee)

(address)

Tanner's licence No.....

Form 19

The Game and Fish Act, 1961-62

TANNER'S LICENCE TO ACCEPT PELTS

19....

Licence No.....

Under *The Game and Fish Act, 1961-62* and the regulations, and subject to the limitations thereof, this licence is granted to.....

of.....

the holder of fur dealer's licence No.....

..... is authorized to accept for tanning, plucking or treating
(name of tanner)

at..... the following pelts:

1. Pelts upon which royalties have been paid:

..... Beaver	@	 Marten	@	Brought forward
..... Fisher	@	 Mink	@	
..... Fox (cross)	@	 Muskrat	@	
..... Fox (red)	@	 Otter	@	
..... Fox (silver, black or blue)	@	 Raccoon	@	
..... Fox (white)	@	 Skunk	@	
..... Fox (not specified)	@	 Weasel (Ermine)	@	
..... Lynx	@	 Wolverine	@	
Carried forward			Total		

2. Pelts exempt from royalties:

This licence expires ninety days after the date on which it is issued.

.....
(date of issue)

.....
(date delivered by tanner)

.....
(issuer)

.....
(signature of tanner)

.....
(date received by tanner)

Form 20

The Game and Fish Act, 1961-62

EXPORT LICENCE FOR FUR-BEARING ANIMALS OR THEIR PELTS

19....

Date.....

Licence No.....

Under *The Game and Fish Act, 1961-62* and the regulations, and subject to the limitations thereof, this licence to export fur-bearing animals or their pelts is granted to.....
of.....
the holder of Licence No.....

..... of.....
(name of carrier) (address of carrier)

is authorized to accept for export from Ontario,
to..... of.....
(name of consignee) (address of consignee)

1. Pelts or fur-bearing animals upon which royalties have been paid:

..... Beaver @	 Marten @		Brought forward
..... Fisher @	 Mink @		
..... Fox (cross) @	 Muskrat @		
..... Fox (red) @	 Otter @		
..... Fox (silver, black or blue) @	 Raccoon @		
..... Fox (white) @	 Skunk @		
..... Fox (not specified) @	 Weasel (Ermine) @		
..... Lynx @	 Wolverine @		
Carried forward		Total		

2. Pelts or fur-bearing animals exempt from royalties:

This licence expires thirty days after the date on which it is issued.

.....
(issuer)

.....
(date)

Way-bill No. (if applicable).....

Date:.....

Place.....

.....
(shipping agent)

Form 21

The Game and Fish Act, 1961-62

APPLICATION FOR A FUR FARMER'S LICENCE

19....

Under The Game and Fish Act, 1961-62 and the regulations, and subject to the limitations thereof,

I, make application for a (renewal of) licence to operate a fur farm, in support of which I submit the following information:

- A. 1. Name of fur farm.....
- 2. Situated on.....
(name of highway or street address)
.....miles.....of.....
(direction) (town or village)
- 3. Located on Lot..... Concession.....
- 4. Township of..... County or District.....
- 5. Name of operator..... Telephone No.....
- 6. Name of company or partnership.....
- 7. P.O. address.....
- 8. Fur farmer's licence No. for previous year.....

9.	Number	Species (Fox, Mink, etc.)	Genetic Type (see note)
Number, species and type of fur-bearing animals in pens on January 1st, or as otherwise stated.
.....
.....
.....
.....

State Genetic Type—Mink: Std. and dark half blood, Silverblu, Pastel, etc.
—Fox: Std. Silver, Platinum, etc.

10. (Not applicable, if all animals are kept in pens)

Area of enclosure for propagation of fur-bearing animals in semi-captivity..... acres	Estimated number in enclosure of Muskrats Beaver
Description of fence.....	

- 11. Names of partners or other officials (if any).....
- 12. (a) Do you now hold a trapper's or fur dealer's licence? Yes No
(b) If yes, state type and No.....
- B. TO BE COMPLETED IF THE FUR FARM WAS NOT LICENSED THE PREVIOUS YEAR.
- 13. (a) Was a fur farmer's licence issued you at any time?.....
(b) If so, state year of issue.....
- 14. (a) Was a fur farmer's licence refused you at any time?.....
(b) If so, state particulars.....

- 15. (a) Do you now hold a trapper's or fur dealer's licence?
- (b) If yes, state type and No.
- 16. How were animals obtained?
-
- (State whether trapped by you, bought or received as boarders, etc.)
- 17. If received from a fur farmer, trapper or other person, state particulars:
- (a) Date of purchase (day) (month) (year)
- Name of vendor
- Address
- Date of delivery (day) (month) (year)
- Number Species Genetic type
- (b) Date of purchase (day) (month) (year)
- Name of vendor
- Address
- Date of delivery (day) (month) (year)
- Number Species Genetic type
- 18. Were animals kept on your premises since date of delivery?
- 19. If not, on whose premises were they kept?
- Name
- Address
- Fur farmer's licence No.
- 20. I hereby certify that the information contained herein is correct to the best of my knowledge and belief.
- Signature of applicant
- Date

Form 22

The Game and Fish Act, 1961-62

FUR FARMER'S LICENCE

Licence No.

Licence fee

Under *The Game and Fish Act, 1961-62* and the regulations, and subject to the limitations thereof, this licence is granted to..... (name) (title)

to propagate fur-bearing animals and possess fur-bearing animals for that purpose on premises known as:
Name of fur farm

At or near

Located on lot No. Concession

Township of County or District of

P.O. address

FUR-BEARING ANIMALS IN PENS

Number..... Species..... Number..... Species.....
 Number..... Species..... Number..... Species.....
 Number..... Species..... Number..... Species.....
 Number..... Species..... Number..... Species.....
 Pelt carryover from previous year: Mink..... Fox..... Other.....

FUR-BEARING ANIMALS IN SEMI-CAPTIVITY

Number..... Muskrats Number..... Beaver
 Area of enclosure approved by Department..... acres

This licence expires with the 31st day of December, 19....

.....
 (issuer)

.....
 (date)

.....
 (inspector of fur farms)

Form 23

The Game and Fish Act, 1961-62

FUR FARMER'S REPORT

19....

Species	1. ANIMALS ON HAND at beginning of period covered by this report (including boarders) (a)	Live Animals Received During Year			
		Wild animals trapped and kept for breeding (b)	Purchased or received by trade (c)	Boarders received (d)	Born on farm this year (e)
Mink					
Blue fox					
Silver fox (standard and white marked)					
Platinum and pearl Platinum fox and similar types					
Other fox, cross, red, white, etc.					
Beaver in pens					
Beaver in semi-captivity					
Fisher					
Lynx					
Marten					
Muskrat in pens					
Muskrat in semi-captivity					
Otter					
Raccoon					
Skunk					

Species	2. Live Animals Removed or Disposed of During Year							3. ANIMALS ON HAND at end of year (including boarders) (m)
	Sold or traded alive (f)	Boarders removed (g)	Animals killed for pelts (h)	Adults died		Kits died		
				Pelted (i)	Not Pelted	Pelted (k)	Not Pelted (l)	
Mink								
Blue fox								
Silver fox (standard and white marked)								
Platinum and pearl Platinum fox and similar types								
Other fox (cross, red, white, etc.)								
Beaver in pens								
Beaver in semi-captivity								
Fisher								
Lynx								
Marten								
Muskkrat in pens								
Muskkrat in semi-captivity								
Otter								
Raccoon								
Skunk								

4. **DETAILS OF PURCHASES (live animals)**
(as shown in column *c*)

Day	Date Month	Year	Name and Address	Number	Species	Genetic Type

5. **DETAILS OF SALES (live animals)**
(as shown in column *f*)

Day	Date Month	Year	Name and Address	Transp. Licence No.	Number	Species	Genetic Type

6. **BOARDERS**
(state name and address of owners of animals kept for others)

Name and Address	Number	Species

7. CAUSE OF DEATH IN ANIMALS (as shown in columns <i>i</i> and <i>k</i>)							
Month of death	Disease	Number	Species	Adults		Kits or Pups	
				Males	Females	Males	Females

RAW FURS

8. RAW FURS ON HAND AT BEGINNING OF PERIOD COVERED BY THIS REPORT (at January 1st, but produced in previous year)	
Number	Species
	Fox, Mink, etc.
Number	Species
	Fox, Mink, etc.

9. RAW FURS SOLD OR DISPOSED OF DURING YEAR (include pelts shipped whether sold or not)						
Day	Date Month	Year	Sold or Shipped to	Number	Species	Export Licence No.

10. RAW FURS ON HAND AT END OF PERIOD COVERED BY THIS REPORT (December 31st)	
Number	Species
	Fox, Mink, etc.
Number	Species
	Fox, Mink, etc.

11. COLOUR TYPE OF PELTS TAKEN FROM MINK DURING YEAR (if in any colour type you are reporting varieties not already listed please specify)	
	Total Number
Dark and Half-blood Dark Mink, include Bluefrost and Demi-Buff	
Grey Type such as Silverblu or Platinum, Sage Opaline, B.O.S., Stewarts and Homos	
Dark Blue Type such as Aleutian, Blue Iris, Steelblu, B.O.S., Stewarts and Homos	
Light Blue Type such as Sapphire, Winterblu, Eric, Violet, B.O.S., Stewarts and Homos	
Brown Type such as Pastel, Topaz, Ambergold, Buff, Dawn, Orchid, Capucine, B.O.S., Stewarts and Homos	
Beige Type such as Palomino, Pearl, Lavender, Hope, Fawn, B.O.S., Stewarts and Homos	
White Type, include 95% White	

12. TOTAL PELTS
(this total should agree with the sum of figures in columns (h), (i) pelted and (k) pelted under Details of Operations)

This is to certify that the information given herein is complete and correct to the best of my knowledge and belief.

P.O. Address..... (owner, secretary, etc.) (licensee)
..... (date)

Form 24

The Game and Fish Act, 1961-62

FUR FARMER'S LICENCE TO TRANSPORT FUR-BEARING ANIMALS WITHIN ONTARIO

19....

Licence No.....

Under *The Game and Fish Act, 1961-62* and the regulations, and subject to the limitations thereof, this licence to transport fur-bearing animals within Ontario is granted to.....

of.....

the holder of fur farmer's licence No.....

and authorizes..... (name of carrier)

to accept for transport within Ontario fur-bearing animals as follows:

..... Ranch raised..... (number) (species of animals)

From..... to.....

Name of consignee.....

Address.....

This licence expires seven days after the date on which it is issued.

..... (issuer)

..... (date)

Way-bill No..... Date..... Place.....

..... (signature of carrier's agent)

Form 25

The Game and Fish Act, 1961-62

FUR FARMER'S EXPORT LICENCE

19....

Licence No.....

Under *The Game and Fish Act, 1961-62* and the regulations, and subject to the limitations thereof, this licence is granted to.....

of.....

the holder of fur farmer's licence No.....

to export from Ontario, and..... (name of carrier)

of..... (address of carrier)

is authorized to accept for export to..... (name of consignee)

at..... (address of consignee)

..... (number) fox and..... (number) mink, or their

pelts, bred on a fur farm operated within Ontario under a licence.

This licence expires seven days after the date on which it is issued.

..... (date)

Issued by..... (signature of licensee)

Way-bill No..... Date..... Place.....

..... (signature of carrier's agent)

(1734)

THE MILK INDUSTRY ACT**O. Reg. 344/64.**

Fluid Milk—General.

Made—December 18th, 1964.

Approved—December 22nd, 1964.

Filed—December 28th, 1964.

**REGULATION MADE UNDER
THE MILK INDUSTRY ACT**

1. Subsection 1 of section 95 of Regulation 432 of Revised Regulations of Ontario, 1960 is revoked and the following substituted therefor:

- (1) Where distributors are prohibited from making deliveries of fluid milk products on Wednesdays under this Regulation, and New Year's Day, Dominion Day or Christmas Day falls on a Tuesday, Thursday or Friday in any week, the prohibition does not apply in respect of the Wednesday in that week.

THE MILK INDUSTRY BOARD OF ONTARIO:

G. A. McCAGUE,
*Chairman.*A. S. NYHOLT,
Secretary.

Dated at Toronto, this 18th day of December, 1964.

(1735)

3

THE FARM PRODUCTS MARKETING ACT**O. Reg. 345/64.**

Hogs—Plan.

Made—December 22nd, 1964.

Filed—December 28th, 1964.

**REGULATION MADE UNDER
THE FARM PRODUCTS MARKETING ACT**

1. Subsection 3 of section 11 of Regulation 163 of Revised Regulations of Ontario, 1960, as remade by section 7 of Ontario Regulation 349/61, is revoked and the following substituted therefor:

- (3) The time for the meeting shall be between 2 p.m. and 3 p.m. or between 8 p.m. and 9 p.m. on the date fixed.

(1736)

3

THE INCOME TAX ACT, 1961-62**O. Reg. 346/64.**

General.

Made—December 22nd, 1964.

Filed—December 29th, 1964.

**REGULATION MADE UNDER
THE INCOME TAX ACT, 1961-62**

1.—(1) Subsection 1 of section 3 of Ontario Regulation 77/62, as remade by section 1 of Ontario Regulation 149/64, is amended by striking out "18/100" in the third line and inserting in lieu thereof "21/100".

(2) Subsection 2 of the said section 3, as remade by section 1 of Ontario Regulation 149/64, is amended by striking out "18/100" in the third line and inserting in lieu thereof "21/100".

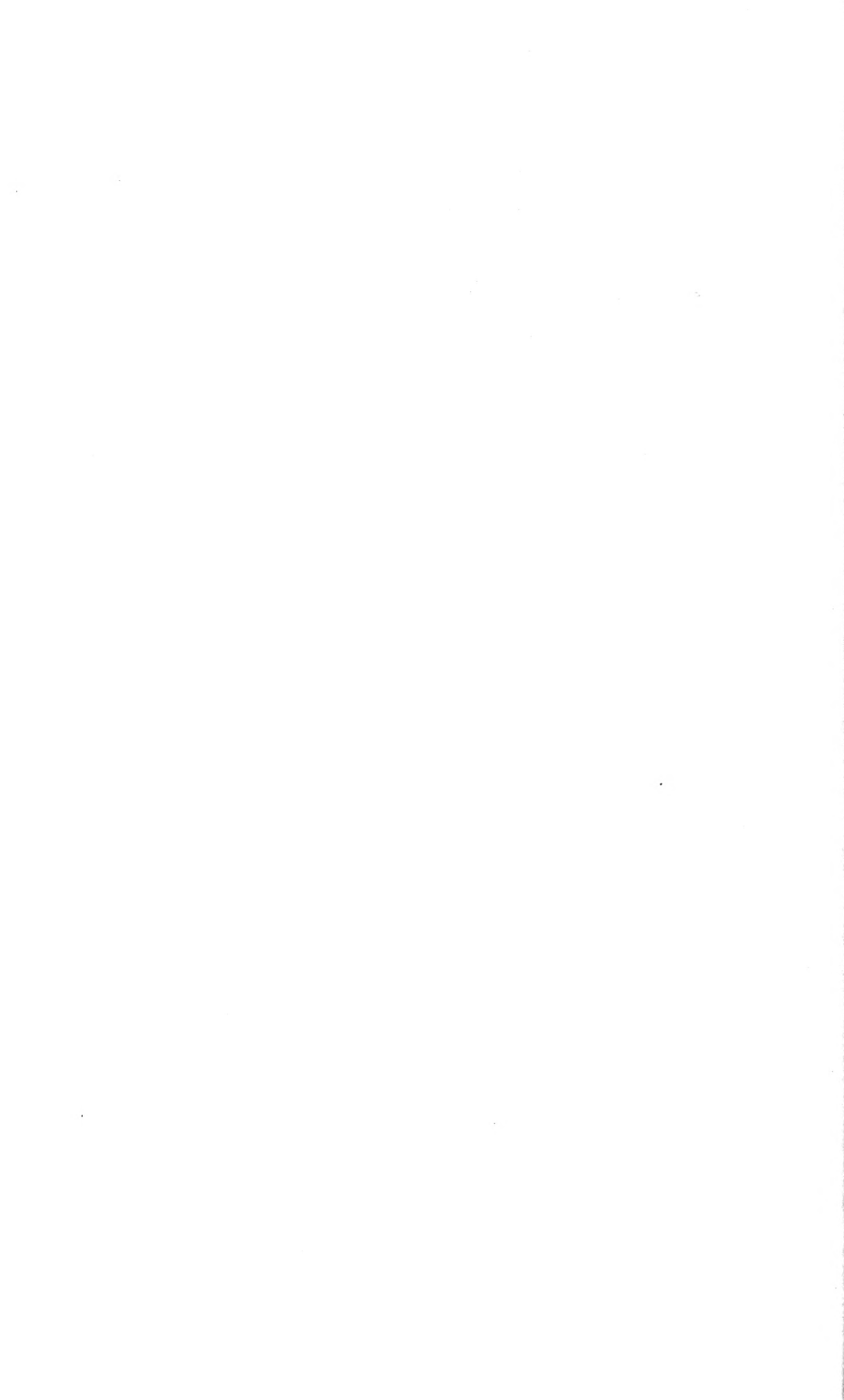
2.—(1) Subsection 1 of section 4 of Ontario Regulation 77/62, as amended by subsection 1 of section 2 of Ontario Regulation 149/64, is further amended by striking out "18/100" in the fifth line and inserting in lieu thereof "21/100".

(2) Subsection 4 of the said section 4, as amended by subsection 2 of section 2 of Ontario Regulation 149/64, is further amended by striking out "18/100" in the fourth line and inserting in lieu thereof "21/100".

3. This Regulation is effective on and after the 1st day of January, 1965.

(1753)

3





LIBRARY USE ONLY

FACULTY OF LAW LIBRARY

